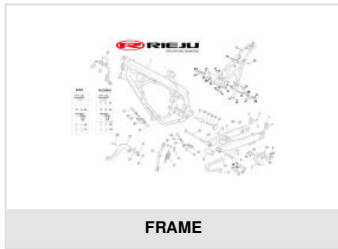


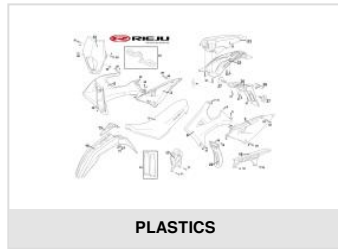


MRT 50 SM PRO RACING E5 V2 ROJO 2024

Exploded



FRAME



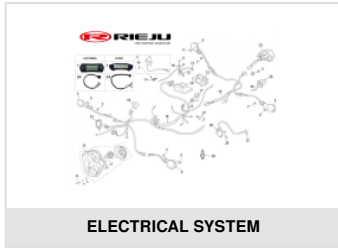
PLASTICS



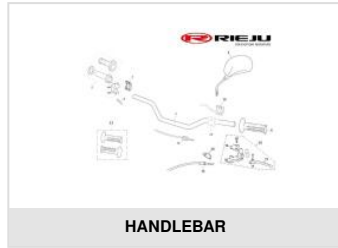
EXHAUST - RADIATOR



TANK - CANISTER



ELECTRICAL SYSTEM



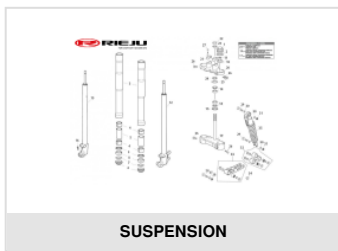
HANDLEBAR



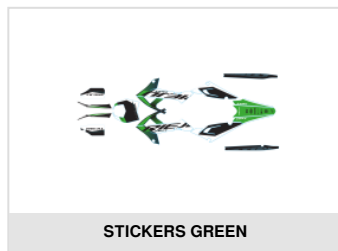
BRAKES



SM WHEELS



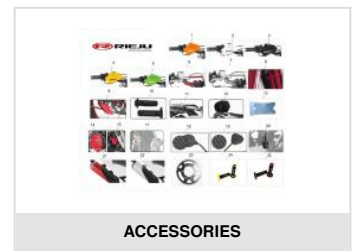
SUSPENSION



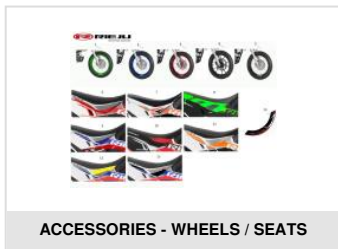
STICKERS GREEN



STICKERS RED



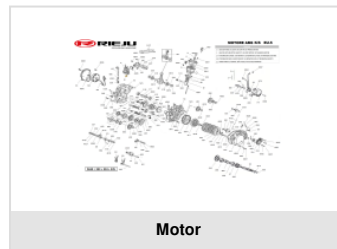
ACCESSORIES



ACCESSORIES - WHEELS / SEATS

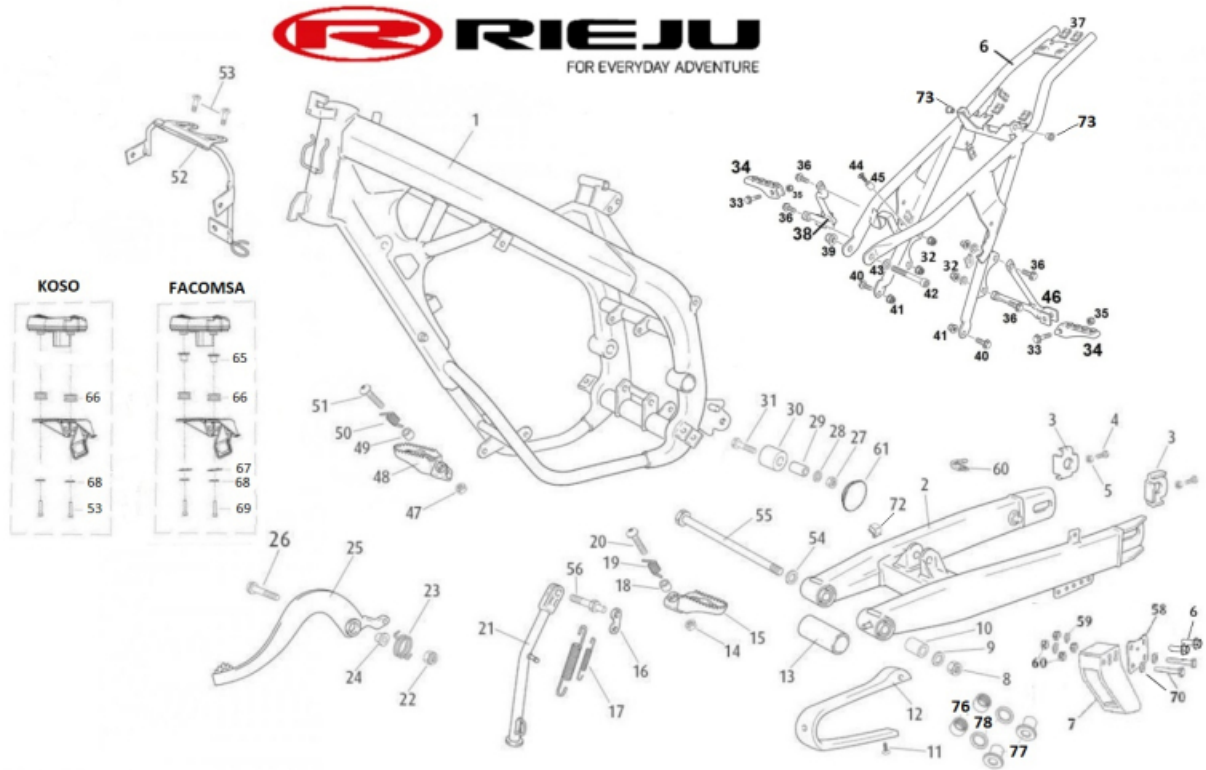


ACCESORIES - STICKERS SET



Motor

FRAME

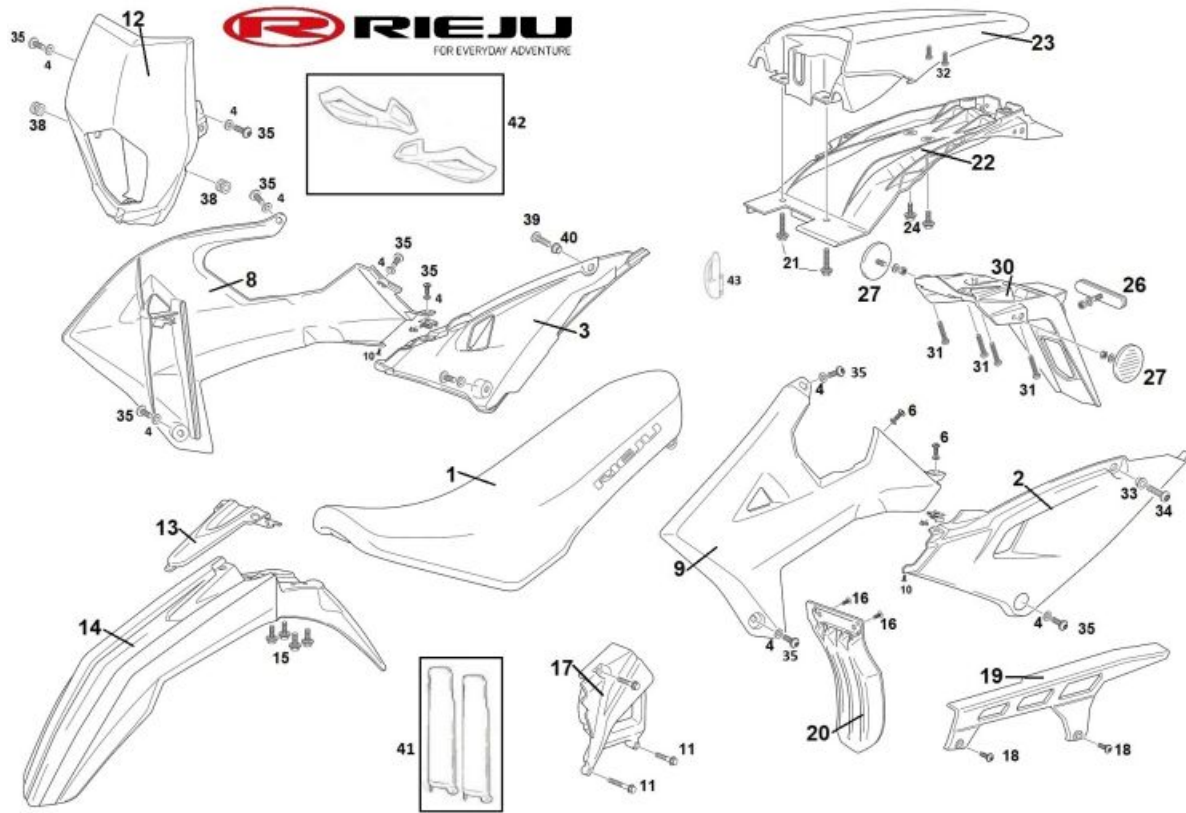


1	<ul style="list-style-type: none"> FULL PAINTED CHASSIS 0/000.010.5006 (u. 1)
2	<ul style="list-style-type: none"> KIT BASCULANTE ALUMINIO COMPLETO MRT v.2 0/K00.020.5219 (u. 1) TAPON BASCULANTE ALUMINIO v.2 NEGRO 0/000.410.5008 (u. 1)
3	<ul style="list-style-type: none"> WHEEL TENSOR 0/000.380.5212 (u. 2)
4	<ul style="list-style-type: none"> WHEEL TENSOR BOLT 0/000.460.0636 (u. 2)
5	<ul style="list-style-type: none"> WHEEL TENSOR NUT 0/000.340.0140 (u. 2)
6	<ul style="list-style-type: none"> SUBCHASSIS MRT EURO5 CON REMACHES 0/K00.010.5017 (u. 1)
7	<ul style="list-style-type: none"> CHAIN GUIDE 2018 0/000.710.0302 (u. 1)
8	<ul style="list-style-type: none"> SWING ARM SHAFT NUT 0/000.340.0186 (u. 1)
9	<ul style="list-style-type: none"> SWING ARM SHAFT WASHER 0/000.440.0123 (u. 1)
10	<ul style="list-style-type: none"> SWING ARM SILENTBLOC 0/000.360.0370 (u. 2)
11	<ul style="list-style-type: none"> CHAIN SLIDER PLATE THREAD SCREW 0/000.460.0745 (u. 2)
12	<ul style="list-style-type: none"> RUBBER SKATE CHAIN MRX/SMX 0/000.360.5001 (u. 1)
13	<ul style="list-style-type: none"> SWING ARM SHAFT GUIDE BUSHING 0/000.480.5037 (u. 1)
14	<ul style="list-style-type: none"> SHOCK ABSORBER BOLT NUT 0/000.340.0182 (u. 2)

15	<ul style="list-style-type: none"> LEFT-HAND RIDER FOOTREST 0/000.740.0310 (u. 1)
16	<ul style="list-style-type: none"> PADDOCK STAND BOLT PIN 0/000.980.5102 (u. 1)
17	<ul style="list-style-type: none"> STAND SPRING TANGO 0/000.470.8000 (u. 1)
18	<ul style="list-style-type: none"> INNER RIGHT-HAND RIDER FOOTREST BUSHING 0/000.480.0215 (u. 1)
19	<ul style="list-style-type: none"> INNER FOOTREST SPRING 0/000.470.5002 (u. 1)
20	<ul style="list-style-type: none"> RIDER FOOTREST BOLT 0/000.460.5100 (u. 1)
21	<ul style="list-style-type: none"> SIDESTAND TANGO 0/000.210.8000 (u. 1)
22	<ul style="list-style-type: none"> SILENTBLOC ATTACHMENT NUT 0/000.340.0181 (u. 1)
23	<ul style="list-style-type: none"> BRAKE LEVER SPRING 0/000.470.5011 (u. 1)
24	<ul style="list-style-type: none"> INNER BRAKE LEVER BUSHING 0/000.260.5001 (u. 1)
25	<ul style="list-style-type: none"> BRAKE LEVER MRT 2010 0/000.730.0731 (u. 1)
26	<ul style="list-style-type: none"> TORNILLO DIN 6921 M8x60 Cal.8.8 Z/BLANCO 0/000.460.0493 (u. 1)
27	<ul style="list-style-type: none"> SILENTBLOC ATTACHMENT NUT 0/000.340.0181 (u. 1)
28	<ul style="list-style-type: none"> ROLLER WASHER 0/000.440.0161 (u. 1)
29	<ul style="list-style-type: none"> CHAIN ROLLER INNER BUSHING 0/000.480.0645 (u. 1)
30	<ul style="list-style-type: none"> RUBBER ROLLER CHAIN GUIDE 0/000.360.0792 (u. 1)
31	<ul style="list-style-type: none"> CHAIN ROLLER ATTACHMENT BOLT 0/000.460.0673 (u. 1)
32	<ul style="list-style-type: none"> M8 NUT 0/000.340.0180 (u. 1)
33	<ul style="list-style-type: none"> SCREW DIN 6921 M6X35 0/000.460.0622 (u. 2)
34	<ul style="list-style-type: none"> PASSENGER FOOTREST (IRON) 0/000.740.0330 (u. 1)
35	<ul style="list-style-type: none"> PASSENGER FOOTREST NUT 0/000.340.0170 (u. 2)
36	<ul style="list-style-type: none"> DRIVE PLATE BOLT 0/000.460.0670 (u. 2)
37	<ul style="list-style-type: none"> QUICK NUT DIN 934 M6 0/000.340.5101 (u. 8)
38	<ul style="list-style-type: none"> SOPORTE ESTRIBERA RH MRT v.2 0/000.980.5125 (u. 1)
45	<ul style="list-style-type: none"> CHAIN SLIDER PLATE THREAD SCREW 0/000.460.0745 (u. 2)
46	<ul style="list-style-type: none"> PASSENGER LH FOOTREST SUPPORT 0/000.980.5108 (u. 1)
47	<ul style="list-style-type: none"> SHOCK ABSORBER BOLT NUT 0/000.340.0182 (u. 2)
48	<ul style="list-style-type: none"> RIGHT-HAND RIDER FOOTREST 0/000.740.0300 (u. 1)

49	<ul style="list-style-type: none"> INNER RIGHT-HAND RIDER FOOTREST BUSHING 0/000.480.0215 (u. 1)
50	<ul style="list-style-type: none"> RIDER FOOTREST SPRING 0/000.470.5001 (u. 1)
51	<ul style="list-style-type: none"> RIDER FOOTREST BOLT 0/000.460.5100 (u. 2)
52	<ul style="list-style-type: none"> SOPORTE FARO Y CTAKMS EVEREST MRT PRO 0/000.980.5035F (u. 1) - PARA CONTADORES FACOMSA
53	<ul style="list-style-type: none"> INDICATOR ATTACHMENT BOLT 0/000.460.1170 (u. 2)
	<ul style="list-style-type: none"> TORNILLO ISO 7380 Torx T-25 con arandela M5x16 INOX 0/000.460.0083 (u. 2)
54	<ul style="list-style-type: none"> SWING ARM SHAFT WASHER 0/000.440.0123 (u. 1)
55	<ul style="list-style-type: none"> SWING ARM AXLE TANGO 0/000.190.8001 (u. 1)
56	<ul style="list-style-type: none"> PADDOCK STAND SPECIAL BOLT 0/000.460.8000 (u. 1)
57	<ul style="list-style-type: none"> PASSENGER FOOTREST NUT 0/000.340.0170 (u. 2)
58	<ul style="list-style-type: none"> SOPORTE GUIA CADENA PRO Z/BLANCO 0/000.980.5067 (u. 1)
59	<ul style="list-style-type: none"> LOCK. WASHER 0/000.440.0131 (u. 2)
60	<ul style="list-style-type: none"> AUTOBLOC NUT M6/DIN 985/JS500 0/000.340.0169 (u. 2)
61	<ul style="list-style-type: none"> PLASTIC STOPPER 0/000.410.0361 (u. 1)
62	<ul style="list-style-type: none"> RIVET 0/000.330.0080 (u. 1)
63	<ul style="list-style-type: none"> DRIVE PLATE BOLT 0/000.460.0670 (u. 1)
64	<ul style="list-style-type: none"> M8 NUT 0/000.340.0180 (u. 1)
65	<ul style="list-style-type: none"> CASQUILLO Ø7x1,5x9,5 0/000.480.5064 (u. 2) - PARA CONTADORES FACOMSA
66	<ul style="list-style-type: none"> GOMA SOPORTE FARO 0/000.360.0491 (u. 2) - PARA CONTADORES FACOMSA
67	<ul style="list-style-type: none"> WASHER DIN 9021 M4 0/000.440.0021 (u. 2) - PARA CONTADORES FACOMSA
68	<ul style="list-style-type: none"> ARANDELA SCHNORR M4 INOX 0/000.440.0043 (u. 2) - PARA CONTADORES FACOMSA
69	<ul style="list-style-type: none"> SCREW DIN 912 Allen M4x16 Cal.8.8 Z/BLANCO 0/000.460.0204 (u. 2) - PARA CONTADORES FACOMSA
70	<ul style="list-style-type: none"> TORNILLO ISO 7380 Torx T-30 con arandela M6x50 INOX 0/000.460.0040 (u. 2)
72	<ul style="list-style-type: none"> FIXING BRAKE HOSE CLAMP 0/000.630.7005 (u. 1)
73	<ul style="list-style-type: none"> RIVET 0/000.330.0080 (u. 2)
76	<ul style="list-style-type: none"> NEEDLE ROLLER BEARING HK2220 0/000.960.0511 (u. 2)
77	<ul style="list-style-type: none"> TILTED SEPARATOR 0/000.260.5002 (u. 1)
78	<ul style="list-style-type: none"> SEAL BEARING 0/000.890.5004 (u. 2)

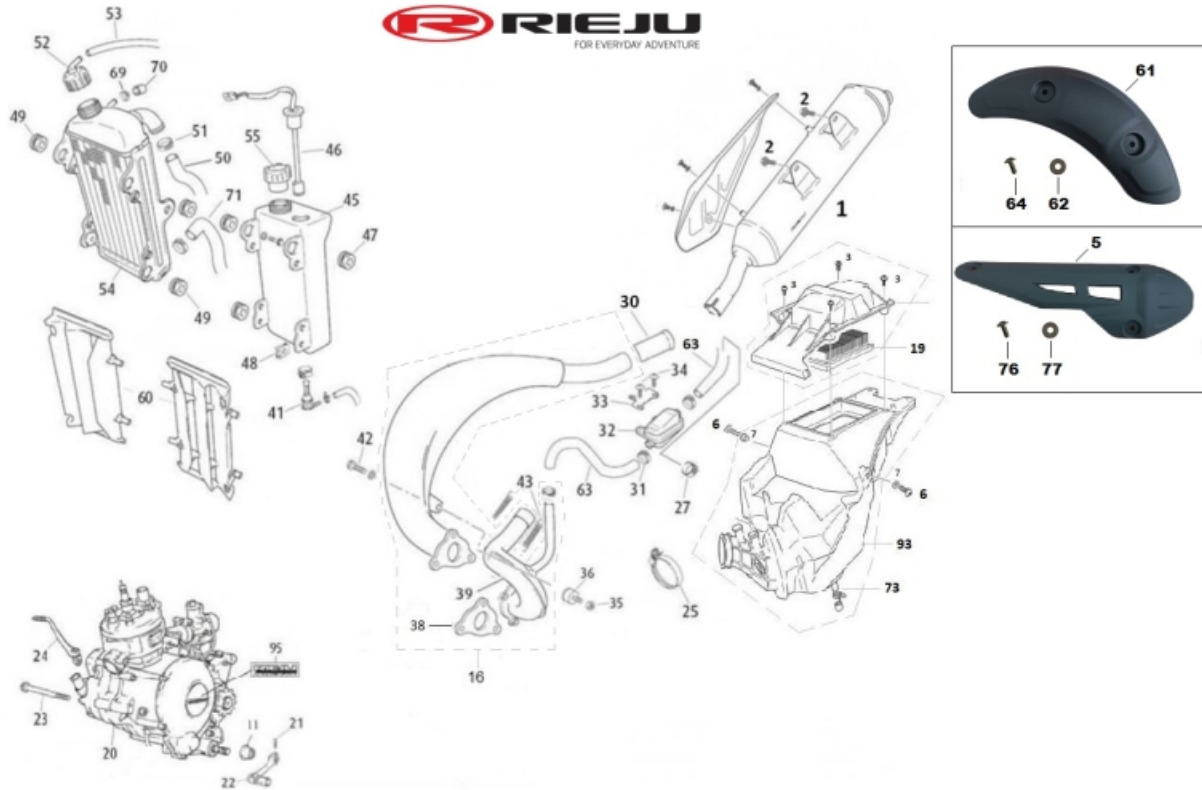
PLASTICS



1	<ul style="list-style-type: none"> SILLÍN COMPLETO MRT PRO NEGRO/ROJO/BLANCO 2024 0/000.040.5375 (u. 1)
2	<ul style="list-style-type: none"> TAPA LATERAL IZQ BLANCO INY MRT CON CALCA 390.5371B 0/R00.570.5369 (u. 1)
3	<ul style="list-style-type: none"> TAPA LATERAL DCHA BLANCO INY MRT CON CALCA 390.5371B 0/R00.570.5368 (u. 1)
4	<ul style="list-style-type: none"> NYLON WASHER 0/000.440.5000 (u. 2)
6	<ul style="list-style-type: none"> SCREW ISO 7380 Torx T-30 M6x16 0/000.460.0044 (u. 2)
8	<ul style="list-style-type: none"> TAPA RADIADOR DCHA NEGRO INY MRT CON CALCA 390.5371B 0/R00.570.5366 (u. 1)
9	<ul style="list-style-type: none"> TAPA RADIADOR IZQ NEGRO INY MRT CON CALCA 390.5371B 0/R00.570.5367 (u. 1)
10	<ul style="list-style-type: none"> TORNILLO CELO RF82T 4x12 Torx Z/BLANCO 0/000.460.0053 (u. 1)
11	<ul style="list-style-type: none"> OUTPUT PINION PROTECTOR COVER ATTACH. BOLT 0/000.460.0285 (u. 2)
12	<ul style="list-style-type: none"> PORTAFAROS S/OPTICA NEGRO INY MRT CON CALCA 390.5371B 0/R00.620.5082 (u. 1)
13	<ul style="list-style-type: none"> FRONT MUDGUARD SUPPORT PLATE 0/000.620.5302 (u. 1)
15	<ul style="list-style-type: none"> SCREW DIN 6921 6X20 8,8 0/000.460.0610 (u. 4)
16	<ul style="list-style-type: none"> SCREW CH88H 4,8x16 C ZINC PLATED 0/000.460.1168 (u. 2)
17	<ul style="list-style-type: none"> KIT PROTECTOR PIÑON MOTOR AM 0/K00.220.0510 (u. 1)
18	<ul style="list-style-type: none"> TORNILLO ISO 7380 Torx T-25 con arandela M5x16 INOX 0/000.460.0083 (u. 2)

19	<ul style="list-style-type: none"> CHAIN GUARD 0/000.200.0400 (u. 1)
20	<ul style="list-style-type: none"> SHOCK ABSORBER PROTECTOR PLASTIC 0/000.200.8000 (u. 1)
21	<ul style="list-style-type: none"> FRONT BRAKE LEVER FASTENING BOLT 0/000.460.0421 (u. 2)
22	<ul style="list-style-type: none"> GUARDABARROS TRASERO PORTA MATRICULAS MRT 2021 0/000.060.5301 (u. 1)
24	<ul style="list-style-type: none"> HORN ATTACHMENT BOLT 0/000.460.0600 (u. 2)
26	<ul style="list-style-type: none"> TAILPIECE REAR MUDGUARD REFLECTOR 0/000.630.0551 (u. 1)
27	<ul style="list-style-type: none"> REAR REFLECTOR (ROUND) 0/000.630.0530 (u. 1)
30	<ul style="list-style-type: none"> PORTA MATRICULAS HOMOLOGADO MRT 2021 0/000.060.5302 (u. 1)
31	<ul style="list-style-type: none"> TORNILLO CELO RF87T 5x20 Torx Z/BLANCO 0/000.460.0096 (u. 4)
32	<ul style="list-style-type: none"> SCREW 5X12 0/000.460.0090 (u. 2)
33	<ul style="list-style-type: none"> SIDE PLATE WASHER 0/000.480.0712 (u. 1)
34	<ul style="list-style-type: none"> SCREW ISO 7380 Torx T-40 M8x25 INOX 0/000.460.0081 (u. 1)
35	<ul style="list-style-type: none"> TORNILLO CELO RF82T 4x12 Torx Z/BLANCO 0/000.460.0053 (u. 4)
38	<ul style="list-style-type: none"> GROMMET 0/000.360.4002 (u. 2)
39	<ul style="list-style-type: none"> SCREW ISO 7380 Torx T-40 M8x25 INOX 0/000.460.0081 (u. 1)
40	<ul style="list-style-type: none"> SIDE PLATE WASHER 0/000.480.0712 (u. 1)
43	<ul style="list-style-type: none"> PROTECTIVE PUMP BACK BRAKE 0/000.220.5100 (u. 1)
46	<ul style="list-style-type: none"> QUICK NUT DIN 934 M6 0/000.340.5101 (u. 2)

EXHAUST - RADIATOR

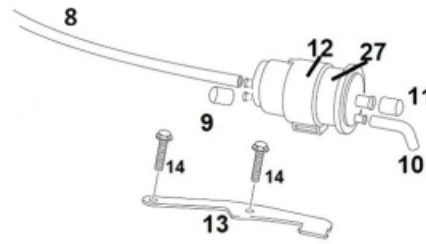
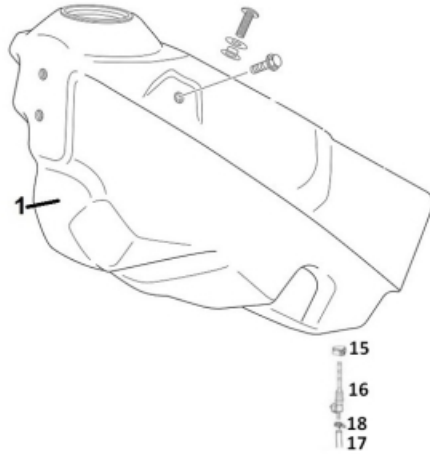
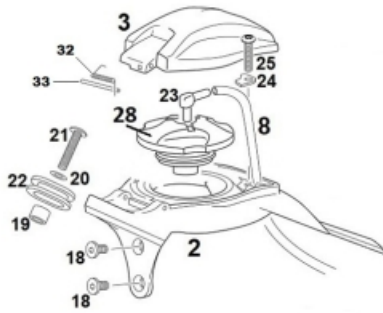


1	<ul style="list-style-type: none"> PETACA MRT 50 E5 V2 ALUM C/PROTECTOR 2022 0/000.870.5061 (u. 1)
3	<ul style="list-style-type: none"> SIDE PLATE ATTACHMENT BOLT 0/000.460.3036 (u. 4)
4	<ul style="list-style-type: none"> TAPA CAJA FILTRO MRT v.2 0/000.350.5014 (u. 1)
5	<ul style="list-style-type: none"> PROTECTOR SILENCIADOR 2022 + TORNILLOS 0/000.220.5023 (u. 1)
6	<ul style="list-style-type: none"> SCREW ISO 7380 Torx T-30 M6x16 0/000.460.0044 (u. 2)
7	<ul style="list-style-type: none"> NYLON WASHER 0/000.440.5000 (u. 2)
11	<ul style="list-style-type: none"> PROTECTOR 0/000.220.1000 (u. 1)
16	<ul style="list-style-type: none"> TUBO ESCAPE MRT50 E5 INOX SIN PROTECTOR 2022 0/000.290.5112 (u. 1) KIT ESCAPE MRT 50 INOX + PROTECTOR Y TORNILLERIA 0/K00.290.5112 (u. 1)
19	<ul style="list-style-type: none"> FILTRO ESPUMA MRT EURO5 0/001.070.5001 (u. 1)
21	<ul style="list-style-type: none"> METRIC SCREW 6 x 22 0/000.460.0310 (u. 1)
22	<ul style="list-style-type: none"> GEAR PEDAL 0/005.430.0032 (u. 1)
23	<ul style="list-style-type: none"> SCREW KIT ENGINE MRT 50 0/K00.460.0000 (u. 1)
24	<ul style="list-style-type: none"> KICK START PEDAL 0/005.430.5004 (u. 1)
25	<ul style="list-style-type: none"> FILTER BOX RUBBER CLAMP 0/000.680.7002 (u. 1)

27	<ul style="list-style-type: none"> HOSE CLAMP 0/000.680.8000 (u. 2)
30	<ul style="list-style-type: none"> RUBBER UNION EXHAUST EURO4 0/000.360.5018 (u. 1)
31	<ul style="list-style-type: none"> HOSE CLAMP 0/000.680.0534 (u. 2)
32	<ul style="list-style-type: none"> AIS VALVE IN/OUT BI-DIRECTIONAL 0/000.640.0002 (u. 1)
33	<ul style="list-style-type: none"> AIS VALVE HOLDER 0/000.980.5105 (u. 1)
34	<ul style="list-style-type: none"> SCREW DIN 7985 Phillips M6x10 Cal.4.8 ZINC PLATED 0/000.460.1704 (u. 2)
35	<ul style="list-style-type: none"> SILENTBLOC ATTACHMENT NUT 0/000.340.0181 (u. 1)
36	<ul style="list-style-type: none"> RUBBER 0/000.360.8102 (u. 1)
38	<ul style="list-style-type: none"> EXHAUST GASKET MRT EUR 4 0/000.490.0008 (u. 1)
39	<ul style="list-style-type: none"> TUBO CODO ESCAPE EURO5 C/CAT C/V.AIS 0/000.290.5097 (u. 1)
41	<ul style="list-style-type: none"> OIL TANK COCK 0/000.370.0440 (u. 1)
42	<ul style="list-style-type: none"> SCREW DIN 6921 M8x12 Cal.8.8 Z/WHITE 0/000.460.0640 (u. 1)
43	<ul style="list-style-type: none"> EXHAUST SPRING 0/005.460.1070 (u. 2)
45	<ul style="list-style-type: none"> OIL TANK 0/000.030.5004 (u. 1)
46	<ul style="list-style-type: none"> OIL LEVEL SENSOR 0/000.410.5001 (u. 1)
47	<ul style="list-style-type: none"> OIL TANK SILENTBLOC 0/000.360.5013 (u. 4)
48	<ul style="list-style-type: none"> QUICK NUT DIN 934 M6 0/000.340.5101 (u. 2)
49	<ul style="list-style-type: none"> OIL TANK SILENTBLOC 0/000.360.5013 (u. 4)
50	<ul style="list-style-type: none"> COOLING PIPE FROM CYLINDER HEAD TO RADIATOR 0/000.640.5033 (u. 1)
51	<ul style="list-style-type: none"> RADIATOR HOSE CLAMPS 0/000.680.0550 (u. 2)
52	<ul style="list-style-type: none"> RADIATOR CAP 0/000.410.5102 (u. 1)
53	<ul style="list-style-type: none"> RADIATOR WATER RELIEF PIPE 0/000.290.0630 (u. 1)
54	<ul style="list-style-type: none"> RADIADOR MRT 50 EURO4 V.2 0/000.580.5106 (u. 1)
55	<ul style="list-style-type: none"> OIL TANK CAP 0/000.410.0600 (u. 1)
60	<ul style="list-style-type: none"> RAD PROTECTOR/GRILL MRT 0/000.220.0591 (u. 1)
61	<ul style="list-style-type: none"> PROTECTOR ESCAPE MRT 2022 + TORNILLOS 0/000.220.5022 (u. 1)
62	<ul style="list-style-type: none"> THERMAL GASKET D6XD17X3MM 0/000.360.2007 (u. 2)
63	<ul style="list-style-type: none"> PIPE VALVE 0/000.640.5021 (u. 1)

64	<ul style="list-style-type: none">• SCREW ISO-7380+AR ZINC M6X16 0/000.460.2023 (u. 2)
69	<ul style="list-style-type: none">• CLAMP COBRA 11/7 W4 0/000.680.0527 (u. 1)
70	<ul style="list-style-type: none">• CAP ELBOW MRT RADIATOR 0/000.410.0363 (u. 1)
71	<ul style="list-style-type: none">• COOLING PIPE FROM WATER PUMP TO RADIATOR 0/000.640.5032 (u. 1)
73	<ul style="list-style-type: none">• TAPON SOBRANTE CAJA FILTRO TANGO 125i v2 0/000.410.8016 (u. 1)
76	<ul style="list-style-type: none">• SCREW M6X20 0/000.460.3031 (u. 3)
77	<ul style="list-style-type: none">• THERMAL GASKET D6XD17X3MM 0/000.360.2007 (u. 6)
93	<ul style="list-style-type: none">• CAJA FILTRO COMPLETA MRT 50 E5 0/000.910.5301 (u. 1)
95	<ul style="list-style-type: none">• DECAL ENGINE COVER RIEJU 2015 0/000.390.5148 (u. 1)

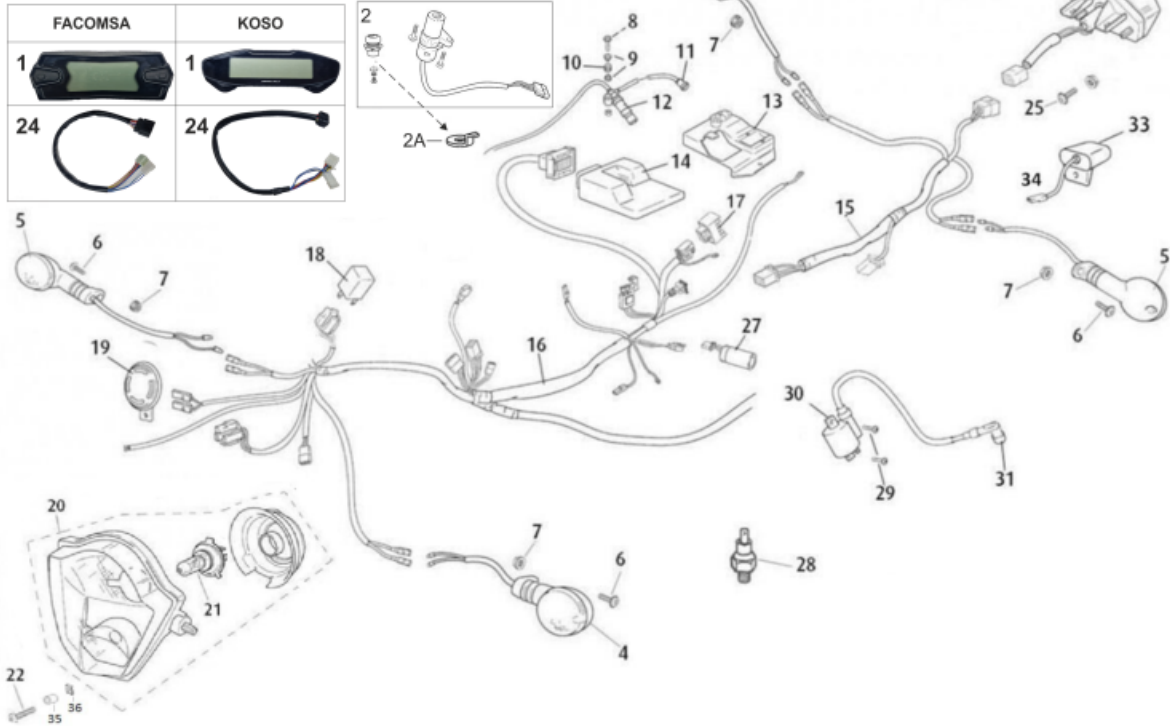
TANK - CANISTER



1	<ul style="list-style-type: none"> ● DEPOSITO GASOLINA MRT 2021 0/000.030.5006 (u. 1)
2	<ul style="list-style-type: none"> ● CUBRE DEPOSITO GASOLINA MRT 2021 0/000.570.5409 (u. 1)
3	<ul style="list-style-type: none"> ● TAPON CUBRE DEPOSITO GASOLINA MRT 2021 0/000.410.5005 (u. 1)
8	<ul style="list-style-type: none"> ● TUBO NBR Ø5,5xØ9,5-Ø8xØ4 x 950 0/000.290.5107 (u. 1)
9	<ul style="list-style-type: none"> ● TAPON SOBRANTE CAJA FILTRO TANGO 125i v2 0/000.410.8016 (u. 1)
10	<ul style="list-style-type: none"> ● TUBO L DRAIN CANISTER MRT v.2 0/000.290.5093 (u. 1)
11	<ul style="list-style-type: none"> ● TAPON AIR CANISTER MRT v.2 0/000.410.5006 (u. 1)
12	<ul style="list-style-type: none"> ● RUBBER SUPPORT CANISTER CENTURY V.2 0/000.360.4018 (u. 1)
15	<ul style="list-style-type: none"> ● FUEL COCK CLAMP 0/000.680.0520 (u. 1)
16	<ul style="list-style-type: none"> ● FUEL TAP DRAC R.R. 0/000.370.0500 (u. 1)
18	<ul style="list-style-type: none"> ● FUEL PIPE ELASTIC CLAMP 0/000.680.0510 (u. 1)
19	<ul style="list-style-type: none"> ● SPACER Ø12x2,75x16,50 0/000.480.5062 (u. 1)
21	<ul style="list-style-type: none"> ● TORNILLO ISO 7380 Torx T-30 con arandela M6x35 INOX 0/000.460.0091 (u. 1)
22	<ul style="list-style-type: none"> ● TANK TO CHASSIS SUPPORT PAD 0/000.360.5012 (u. 1)
23	<ul style="list-style-type: none"> ● RACOR CONECTOR "L" TAPON GASOLINA 0/000.630.5004 (u. 1)

24	<ul style="list-style-type: none">● CHAPA TOPE CIERRE TAPON GASOLINA MRT v.2 0/000.220.5020 (u. 1)
27	<ul style="list-style-type: none">● CANISTER CENTURY V.2 0/000.640.4014 (u. 1)
28	<ul style="list-style-type: none">● FUEL TANK CAP 0/000.410.5300 (u. 1)
32	<ul style="list-style-type: none">● MUELLE TAPON DEPOSITO MRT E5 0/000.470.5012 (u. 1)
33	<ul style="list-style-type: none">● PIN DIN 7 Ø3x45 INOX 0/000.840.5000 (u. 1)

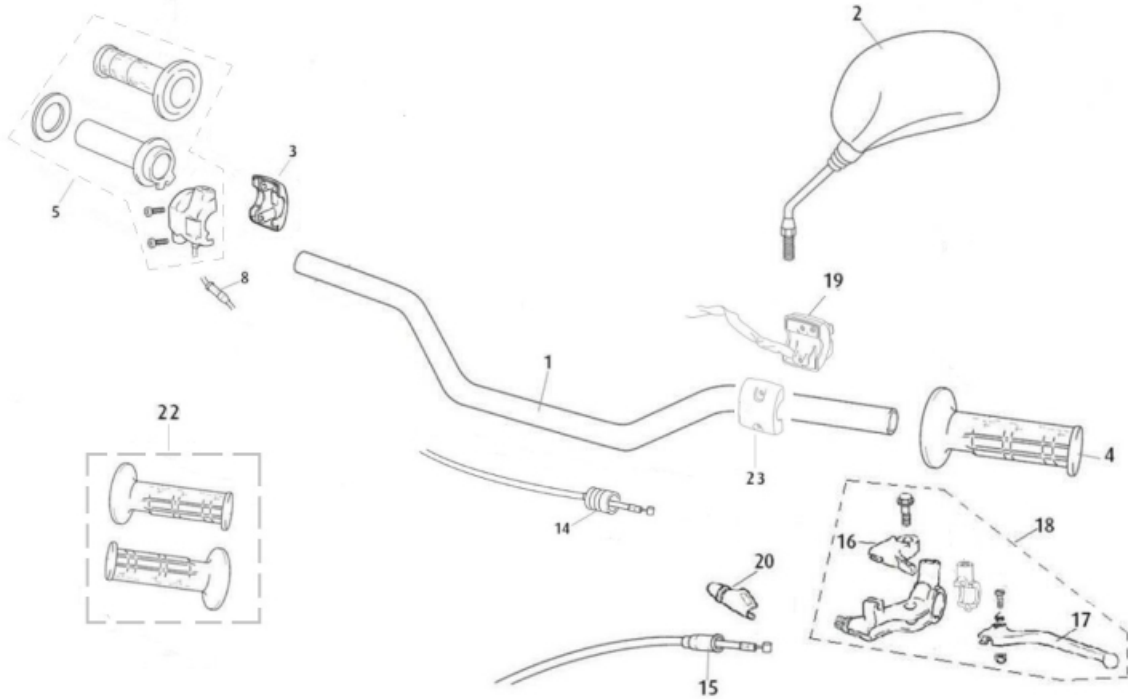
ELECTRICAL SYSTEM



1	<ul style="list-style-type: none"> CTA. KMS. COMP FACOMSA MRT v.2 E5 0/001.000.2114 (u. 1) KOSO SPEEDOMETER EX03 EURO5 WITHOU SENSOR 0/001.000.2110 (u. 1)
2	<ul style="list-style-type: none"> KEY SET MRT v.2 2021 0/001.060.5000 (u. 1) - AÑADIR 0/000.220.5019
2A	<ul style="list-style-type: none"> CHAPA BLOQUEO CIERRE TAPON GASOLINA MRT v.2 0/000.220.5019 (u. 1)
4	<ul style="list-style-type: none"> LEFT HAND INDICATOR OVAL 0/000.150.2200 (u. 1)
5	<ul style="list-style-type: none"> RIGHT HAND INDICATOR OVAL 0/000.150.2100 (u. 1)
6	<ul style="list-style-type: none"> TORNILLO ISO 7380 Torx T-25 con arandela M5x16 INOX 0/000.460.0083 (u. 4) INDICATOR ATTACHMENT BOLT 0/000.460.1170 (u. 4)
7	<ul style="list-style-type: none"> INDICATOR ATTACHMENT NUT 0/000.340.0172 (u. 4)
8	<ul style="list-style-type: none"> SCREW DIN 6921 M6X35 0/000.460.0622 (u. 1)
9	<ul style="list-style-type: none"> SIDE PLATE WASHER 0/000.480.0712 (u. 1)
10	<ul style="list-style-type: none"> SILEMBLOCK RUBBER COVER 0/000.360.0490 (u. 1)
11	<ul style="list-style-type: none"> SOLENOIDE SPACER POWER UP ENGINE 0/005.310.2433 (u. 1)
12	<ul style="list-style-type: none"> SOLENOIDE VALVE POWER UP ENGINE 0/005.707.0010 (u. 1)

13	<ul style="list-style-type: none"> MRT 2010 CDI SUPPORT 0/000.980.5109 (u. 1)
14	<ul style="list-style-type: none"> ECU MRT 50 EURO5 0/005.705.5000 (u. 1)
15	<ul style="list-style-type: none"> INSTALACION COLIN MRT EURO5 C 0/000.160.5043 (u. 1)
16	<ul style="list-style-type: none"> MAIN WIRE HARNES MRT EURO5 v.1 0/000.160.5037 (u. 1)
17	<ul style="list-style-type: none"> CURRENT REGULATOR 0/005.070.6604 (u. 1)
18	<ul style="list-style-type: none"> FLASHER UNIT 0/001.200.5032 (u. 1)
19	<ul style="list-style-type: none"> HORN CLASS II TYPE DL128J - 12V 0/000.420.5011 (u. 1)
	<ul style="list-style-type: none"> SOPORTE CLAXON MRT v.2 0/000.980.5124 (u. 1)
20	<ul style="list-style-type: none"> COMPLETE HEAD LAMP BEAM UNIT 0/000.600.0260 (u. 1)
21	<ul style="list-style-type: none"> LAMP H4 35/35 12V. 0/000.850.9000 (u. 1)
22	<ul style="list-style-type: none"> HEADLAMP BEAM UNIT BUSHING BOLT 0/000.460.0786 (u. 1)
23	<ul style="list-style-type: none"> LUZ PILOTO TRASERO LED V.2 0/000.150.9106 (u. 1)
24	<ul style="list-style-type: none"> SUPPLEMENT WIRE HARNESS KOSO SPEEDOMETER EURO 5 0/000.160.5036 (u. 1)
	<ul style="list-style-type: none"> SUPLEMENTO INSTALACION MARCADOR MR MRT 50 0/000.160.5047 (u. 1) - PARA CONTADORES FACOMSA
27	<ul style="list-style-type: none"> CONDENSER 0/001.200.5034 (u. 1)
28	<ul style="list-style-type: none"> TEMPERATURE SENSOR POWER UP ENGINE 0/005.560.1991 (u. 1)
29	<ul style="list-style-type: none"> INDICATOR ATTACHMENT BOLT 0/000.460.1170 (u. 2)
	<ul style="list-style-type: none"> TORNILLO ISO 7380 Torx T-25 con arandela M5x16 INOX 0/000.460.0083 (u. 2)
30	<ul style="list-style-type: none"> OUTER COIL 0/005.702.1500 (u. 1)
31	<ul style="list-style-type: none"> SPARK PLUG CAP 0/005.110.2022 (u. 1)
33	<ul style="list-style-type: none"> PILOT BACK LIGHT LED 2018 0/000.150.6001 (u. 1)
34	<ul style="list-style-type: none"> SUPLEMENTO INSTALACION LUZ MATRICULA MRT E5 v.2 0/000.160.5041 (u. 1)
35	<ul style="list-style-type: none"> TUBO EPDM Ø6 x Ø9 x 15 0/000.290.0663 (u. 1)
36	<ul style="list-style-type: none"> QUICK NUT M5 0/000.340.5100 (u. 1)

HANDLEBAR



1	<ul style="list-style-type: none"> MANILLAR ALUMINIO Ø22 ANODIZADO PLATA (CON LOGO) 0/000.170.0557 (u. 1)
2	<ul style="list-style-type: none"> L/H MIRROR TANGO 0/000.990.8001 (u. 1)
3	<ul style="list-style-type: none"> RIGHT-HAND COMMUTATOR SINGLE COVER 0/000.350.5001 (u. 1) - PARA PUÑOS DE GAS DOMINO
4	<ul style="list-style-type: none"> PUÑO GOMA EMBRAGUE Ø22 DOMINO 0/000.530.5004 (u. 1)
5	<ul style="list-style-type: none"> COMPLETE THROTTLE TWIST GRIP W/RUBBER 0/000.530.5000 (u. 1)
8	<ul style="list-style-type: none"> FUEL CABLE 0/000.550.5005 (u. 1)
14	<ul style="list-style-type: none"> STARTER WIRE MRT 50 EURO4 0/000.550.5014 (u. 1)
15	<ul style="list-style-type: none"> CLUTCH CABLE MRT 50 EURO 4 0/000.550.5015 (u. 1)
16	<ul style="list-style-type: none"> SINGLE STARTER LEVER 0/000.830.8302 (u. 1)
17	<ul style="list-style-type: none"> Clutch Lever Only Tango 250 0/000.830.8301 (u. 1)
18	<ul style="list-style-type: none"> FULL CLUTCH LEVER 0/000.830.8300 (u. 1)
19	<ul style="list-style-type: none"> LIGHTS COMMUTATOR 0/000.720.5000 (u. 1)
20	<ul style="list-style-type: none"> CLUTCH LEVER PROTECTOR 0/000.220.8300 (u. 1)
22	<ul style="list-style-type: none"> HANDLEBAR GRIPS 0/000.530.5010 (u. 1)

23

- CONMUTADOR SINGLE COVER
0/000.350.8300 (u. 1)

BRAKES



12	<ul style="list-style-type: none"> ● STOP SWITCH 0/000.720.0070 (u. 1)
16	<ul style="list-style-type: none"> ● REAR DISC BRAKE PAD SET 0/000.930.0090 (u. 1)
18	<ul style="list-style-type: none"> ● REAR BRAKE CALIPER W/ HOLDER 0/000.860.5112 (u. 1)
19	<ul style="list-style-type: none"> ● BRAKE FLUID TANK 0/000.030.0170 (u. 1)
20	<ul style="list-style-type: none"> ● HORN ATTACHMENT BOLT 0/000.460.0600 (u. 1)
21	<ul style="list-style-type: none"> ● STOP SWITCH REAR 2009 0/000.720.0075 (u. 1)
22	<ul style="list-style-type: none"> ● SINGLE REAR BRAKE PUMP 0/000.820.0310 (u. 1)
23	<ul style="list-style-type: none"> ● BRAKE PUMP HOSE CLAMP 0/000.680.0500 (u. 1)
24	<ul style="list-style-type: none"> ● BRAKE PUMP PUSHROD 0/000.240.5001 (u. 1)
25	<ul style="list-style-type: none"> ● BRAKE PUMP PUSHROD NUT 0/000.340.0130 (u. 1)
27	<ul style="list-style-type: none"> ● SECURING PIN 0/000.840.0060 (u. 1)
28	<ul style="list-style-type: none"> ● BRAKE LEVER PIN 0/000.840.0090 (u. 1)
29	<ul style="list-style-type: none"> ● HORQUILLA FRENO/CAMBIO COMPLETA 0/000.130.0151 (u. 1) ● BRAKE LEVER FORK 0/000.130.0150 (u. 1)

OBSOLETE

46	<ul style="list-style-type: none"> FRONT BRAKE PAD SET 0/000.930.8000 (u. 1) 	
47	<ul style="list-style-type: none"> single front bracket caliper 0/000.860.8000 (u. 1) 	OBSOLETE
58	<ul style="list-style-type: none"> FULL REAR BRAKE ASSEMBLY 0/000.820.0765 (u. 1) 	
61	<ul style="list-style-type: none"> TUBE 0/000.290.0263 (u. 1) 	
70	<ul style="list-style-type: none"> BRAKE LEVER ONLY 0/000.830.1011 (u. 1) 	
71	<ul style="list-style-type: none"> JOINT WASHER BRAKE PUMP 0/000.440.1040 (u. 1) 	
72	<ul style="list-style-type: none"> FULL FRONT BRAKE ASSEMBLY 0/000.820.0715 (u. 1) 	
73	<ul style="list-style-type: none"> BRAKE ROD SCREW 0/000.460.1300 (u. 1) 	
74	<ul style="list-style-type: none"> JOINT WASHER BRAKE PUMP 0/000.440.1040 (u. 4) 	
75	<ul style="list-style-type: none"> PIPE EPDM 325 0/000.290.0265 (u. 1) 	
77	<ul style="list-style-type: none"> FRONT BRAKE HOSE 0/000.290.0259 (u. 1) 	
79	<ul style="list-style-type: none"> SCREW DIN 912 M10X60 0/000.460.0403 (u. 1) 	
80	<ul style="list-style-type: none"> SCREW DIN 912 Allen M10x40 Cal.8.8 ZINC PLATED 0/000.460.0400 (u. 1) 	

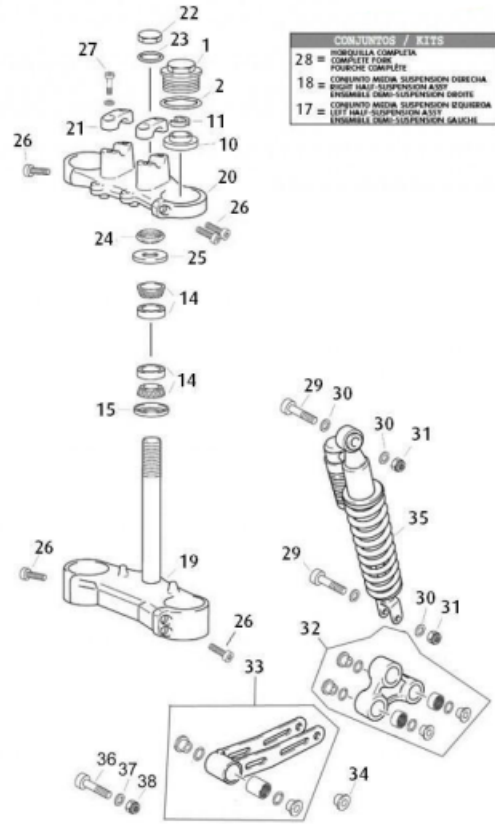
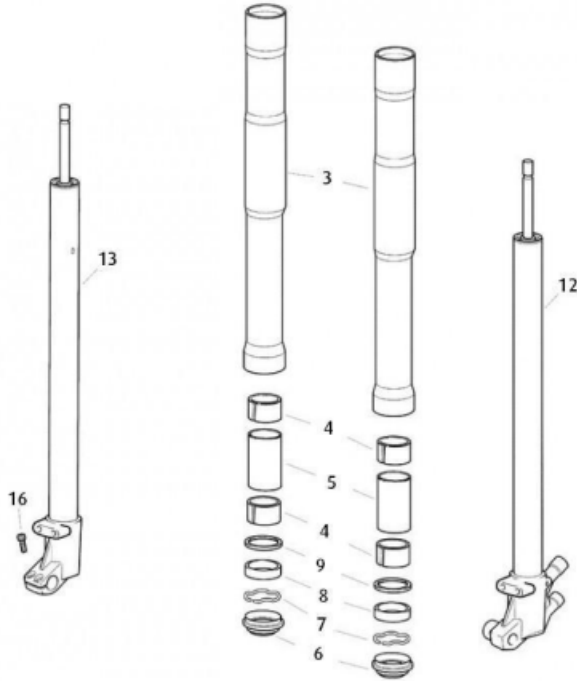
SM WHEELS



1	<ul style="list-style-type: none"> DURALUMINIUM REAR SPROCKET GOLD z62 420 1/2"x1/4 r 0/000.500.5110 (u. 1)
2	<ul style="list-style-type: none"> REAR WHEEL SHAFT 0/000.190.5303 (u. 1)
3	<ul style="list-style-type: none"> CHAIN 0/001.050.0230 (u. 1)
4	<ul style="list-style-type: none"> DRIVE PLATE BOLT 0/000.460.0670 (u. 6)
5	<ul style="list-style-type: none"> WHEEL SEPARATOR 0/000.480.8000 (u. 1)
6	<ul style="list-style-type: none"> OIL SEAL 22x35x7 HMSA10 RG 0/000.890.0011 (u. 1)
7	<ul style="list-style-type: none"> SPACER Ø22x3,5x7 0/000.480.0051 (u. 1)
8	<ul style="list-style-type: none"> FRONT WHEEL BEARING 0/000.960.0050 (u. 1)
9	<ul style="list-style-type: none"> BEARINGS SPACER Ø21x2,75x113 0/000.480.5054 (u. 1)
10	<ul style="list-style-type: none"> REAR BRAKE DISK WAVE Ø200 2016 0/001.090.0266 (u. 1)
11	<ul style="list-style-type: none"> SWING ARM SHAFT WASHER 0/000.440.0123 (u. 1)
12	<ul style="list-style-type: none"> SCREW DIN 933 M8x25 Cal.8.8 ZINC PLATED 0/000.460.0723 (u. 3)
13	<ul style="list-style-type: none"> SWING ARM SHAFT NUT 0/000.340.0186 (u. 1)
14	<ul style="list-style-type: none"> SCREW M6X20 0/000.460.3031 (u. 1)

15	<ul style="list-style-type: none"> MRT PRO EURO4 SENSOR BRACKET 0/000.980.5060 (u. 1)
16	<ul style="list-style-type: none"> SA-01 SPEED SENSOR WITOUT O-RING 0/001.010.2102 (u. 1)
17	<ul style="list-style-type: none"> GEAR WASHER DIN 9021/A M8 0/000.440.0180 (u. 1)
20	<ul style="list-style-type: none"> MRT PRO SHFT KIT 2013 0/K00.190.0000 (u. 1)
21	<ul style="list-style-type: none"> FRONT WHEEL SHAFT SEPARATOR 0/000.480.5014 (u. 1)
22	<ul style="list-style-type: none"> BEARING SPACER Ø21x2,75x52,5 0/000.480.5053 (u. 1)
24	<ul style="list-style-type: none"> FRONT BRAKE DISC D.300 0/K01.090.0003 (u. 1)
25	<ul style="list-style-type: none"> SCREW DIN 6921 6X16 8,8 0/000.460.5001 (u. 6)
26	<ul style="list-style-type: none"> SWING ARM SHAFT NUT 0/000.340.0186 (u. 1)
27	<ul style="list-style-type: none"> SWING ARM SHAFT WASHER 0/000.440.0123 (u. 1)
31	<ul style="list-style-type: none"> KIT LLANTA INTEGRAL DELANTERA 2008 0/K00.230.2004 (u. 1)
41	<ul style="list-style-type: none"> KIT LLANTA INTEGRAL TRASERA 2008 0/K00.230.2003 (u. 1)
44	<ul style="list-style-type: none"> DECAL SET WHEEL RED TEAM SM RACING 2014 0/000.390.5122 (u. 4)
50	<ul style="list-style-type: none"> CALCA LLANTA MRT SM ROJA 2024 0/000.390.5377B (u. 4)
51	<ul style="list-style-type: none"> CALCA LLANTA MRT SM VERDE 2024 0/000.390.5377A (u. 4)

SUSPENSION

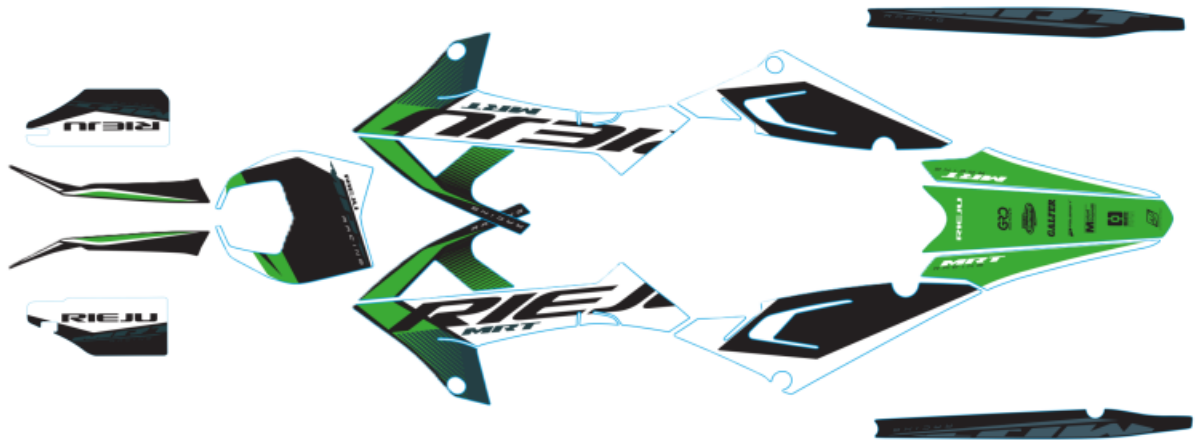


CONTENIDOS / KITS	
28	FORK/FORK COMPLETE
18	RIGHT FORK SUSPENSION ASSEMBLY COMPLETE
17	LEFT FORK SUSPENSION ASSEMBLY COMPLETE

1	<ul style="list-style-type: none"> CAP NUT 0/000.410.5205 (u. 2)
2	<ul style="list-style-type: none"> O RING 0/000.490.5101 (u. 2)
3	<ul style="list-style-type: none"> OUTER TUBE GOLD ANODIZED 0/000.880.5009 (u. 2)
4	<ul style="list-style-type: none"> INNER BUSH 0/000.480.5106 (u. 4)
5	<ul style="list-style-type: none"> INNER SPACER 0/000.480.5107 (u. 2)
6	<ul style="list-style-type: none"> FORK SEAL MRT PRO 0/000.890.5008 (u. 2)
7	<ul style="list-style-type: none"> RING STOP 0/000.300.4001 (u. 2)
8	<ul style="list-style-type: none"> FORK SCRAPER SEAL 0/000.890.5007 (u. 2)
9	<ul style="list-style-type: none"> WASHER 0/000.440.4002 (u. 2)
10	<ul style="list-style-type: none"> POSITION SEAT 0/000.410.5206 (u. 2)
11	<ul style="list-style-type: none"> SPRING STOP WASHER 0/000.440.4001 (u. 4)
12	<ul style="list-style-type: none"> FORK PIPE COMPLETE LEFT 0/000.640.5118 (u. 1)
13	<ul style="list-style-type: none"> FORK PIPE COMPLETE RIGHT 0/000.640.5119 (u. 1)
14	<ul style="list-style-type: none"> STEERING BEARING MOD/PT101 0/000.960.0200 (u. 2)
15	<ul style="list-style-type: none"> UPPER STEERING FORK DUST COVER 0/000.200.0001 (u. 1)

16	<ul style="list-style-type: none"> METRIC SCREW 6 x 22 0/000.460.0310 (u. 2)
17	<ul style="list-style-type: none"> FRONT FORK ASSY LEFT 0/000.640.5504 (u. 1)
18	<ul style="list-style-type: none"> FRONT FORK ASSY RIGHT 0/000.640.5505 (u. 1)
19	<ul style="list-style-type: none"> LOWER BRACKET 0/000.660.5114 (u. 1)
20	<ul style="list-style-type: none"> UPPER BRACKET 0/000.660.5113 (u. 1)
21	<ul style="list-style-type: none"> UPPER HANDLEBAR BRACKET Ø22 2015 0/000.350.7007 (u. 2)
22	<ul style="list-style-type: none"> UPPER NUT BRACKET 0/000.340.5203 (u. 1)
23	<ul style="list-style-type: none"> UPPER NUT WASHER 0/000.440.5136 (u. 1)
24	<ul style="list-style-type: none"> LOWER NUT BRACKET 0/000.340.5204 (u. 1)
25	<ul style="list-style-type: none"> UPPER STEERING FORK DUST COVER 0/000.200.0001 (u. 1)
26	<ul style="list-style-type: none"> SCREW M8X35 0/000.460.0350 (u. 8)
27	<ul style="list-style-type: none"> SECURING SCREW UPPER PLATE M8x40 0/000.460.0352 (u. 4)
28	<ul style="list-style-type: none"> COMPLETE FORK MRT PRO Ø40 0/000.130.5104 (u. 1)
29	<ul style="list-style-type: none"> SCREW DIN 912 M10X60 0/000.460.0403 (u. 2)
30	<ul style="list-style-type: none"> (5 uds) WASHER DIN 125/A M10 Z/WHITE 0/000.440.0110B (u. 4)
31	<ul style="list-style-type: none"> (5 UNIT BAG) NUT DIN 6926 M10 Cal.8 Z / WHITE 0/000.340.0182B (u. 2)
32	<ul style="list-style-type: none"> SUPORT TRAPEZE ROD 0/000.980.5103 (u. 1)
33	<ul style="list-style-type: none"> COMPLETE LINK 2009 0/000.770.0105 (u. 1)
34	<ul style="list-style-type: none"> REDUCTOR 0/000.480.5038 (u. 1)
35	<ul style="list-style-type: none"> SHOCK ABSORBER 0/000.180.6001 (u. 1)
36	<ul style="list-style-type: none"> TORNILLO DIN 912 10x70 0/000.460.6210 (u. 1)
37	<ul style="list-style-type: none"> SHOCK ABSORBER BOLT WASHER 0/000.440.0110 (u. 1)
38	<ul style="list-style-type: none"> SHOCK ABSORBER BOLT NUT 0/000.340.0182 (u. 1)
39	<ul style="list-style-type: none"> MUELLE HIDRAULICO RH/LH Ø5,5x527 0/000.470.5107 (u. 1)

STICKERS GREEN



- JUEGO CALCAS BASCULANTE MRT 2024
0/000.390.5375 (u. 1)

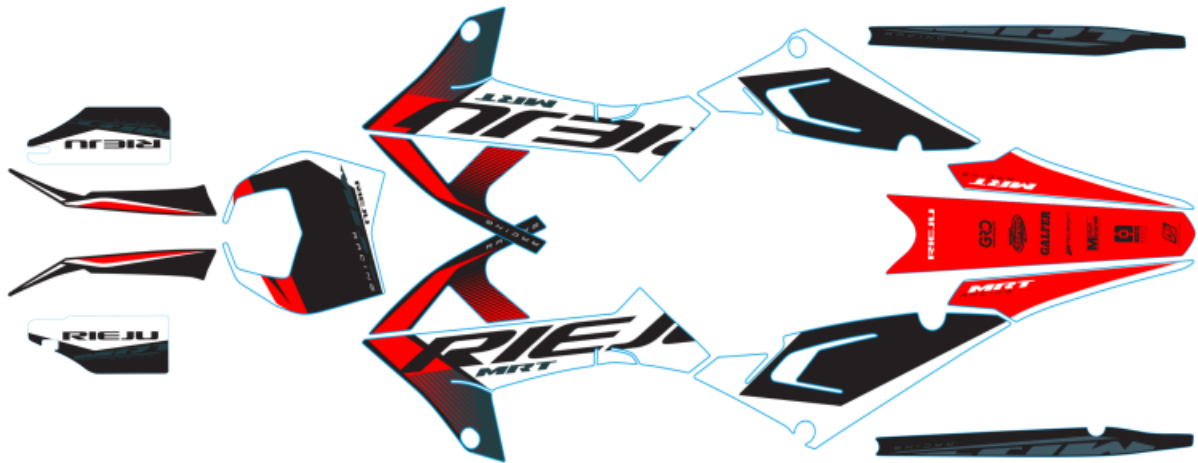
- JUEGO CALCAS MRT PRO VERDE 2024
0/000.390.5371A (u. 1)

- JUEGO CALCAS PROTECTOR HORQUILLA MRT BLANCO 2024
0/000.390.5372A (u. 1)

- CALCA GUARDABARRO TRASERO VERDE 2024
0/000.390.5374A (u. 1)

1

STICKERS RED



● CALCA GUARDABARRO TRASERO ROJO 2024
0/000.390.5374B (u. 1)

● JUEGO CALCAS BASCULANTE MRT 2024
0/000.390.5375 (u. 1)

1

● JUEGO CALCAS PROTECTOR HORQUILLA MRT BLANCO 2024
0/000.390.5372A (u. 1)

● JUEGO CALCAS MRT PRO ROJA 2024
0/000.390.5371B (u. 1)

ACCESSORIES



1	<ul style="list-style-type: none"> ● PROTECTIVE SET FOR HANDLES PRO ORANGE 2016 0/000.770.5708 (u. 1)
2	<ul style="list-style-type: none"> ● WHITE PROTECTOR HANDS 0/000.770.5704 (u. 1)
3	<ul style="list-style-type: none"> ● BLACK PROTECTOR HANDS 0/000.770.5703 (u. 1)
4	<ul style="list-style-type: none"> ● YELLOW HAND PROTECTOR 0/000.770.5706 (u. 1)
5	<ul style="list-style-type: none"> ● GREEN HAND PROTECTORS 0/000.770.5707 (u. 1)
6	<ul style="list-style-type: none"> ● MANILLAR ALUMINIO Ø22 ANODIZADO ROJO (SIN LOGO) 0/000.170.0556 (u. 1)
7	<ul style="list-style-type: none"> ● MANILLAR ALUMINIO Ø22 ANODIZADO PLATA (CON LOGO) 0/000.170.0557 (u. 1)
8	<ul style="list-style-type: none"> ● RED RADIATOR PROTECTOR MRT 0/000.220.0593 (u. 1)
9	<ul style="list-style-type: none"> ● RED CHAIN GUIDE 2018 0/000.710.0303 (u. 1)
10	<ul style="list-style-type: none"> ● TWIST GRIP ASSY 0/000.530.5003 (u. 1)
11	<ul style="list-style-type: none"> ● KIT PORTABULTOS MRT v.2 0/K00.980.5001 (u. 1)
12	<ul style="list-style-type: none"> ● NADSA LUGGAGE CASE (7KG MAX LOAD) 0/001.800.0001 (u. 1)
13	<ul style="list-style-type: none"> ● ALUMINIUM SUMP GUARD 0/K00.220.5012 (u. 1)
14	<ul style="list-style-type: none"> ● MOTOR STEERING WHEEL RED COVER 0/005.210.9041 (u. 1)

15	<ul style="list-style-type: none"> ● RED OIL PUMP COVER 0/005.210.7351 (u. 1) 	
17	<ul style="list-style-type: none"> ● KIT MONTAJE LUCES LED MRT V2 0/K00.150.5001 (u. 1) 	
18	<ul style="list-style-type: none"> ● RIGHT HAND MIRROR 0/000.990.5004 (u. 1) 	
19	<ul style="list-style-type: none"> ● LEFT-HAND MIRROR 0/000.990.5003 (u. 1) 	
20	<ul style="list-style-type: none"> ● PROTECTIVE PUMP BACK BRAKE 0/000.220.5100 (u. 1) 	
21	<ul style="list-style-type: none"> ● PETACA MRT 50 EURO5 V2 ANODIZADA ROJA 0/000.870.5058 (u. 1) 	OBSOLETE
22	<ul style="list-style-type: none"> ● PETACA MRT 50 EURO5 V2 ALUMINIO 0/000.870.5057 (u. 1) 	OBSOLETE
	<ul style="list-style-type: none"> ● PETACA MRT 50 E5 V2 ALUM C/PROTECTOR 2022 0/000.870.5061 (u. 1) 	
23	<ul style="list-style-type: none"> ● REAR SPROCKET DURALUMINIUM BLACK z60 420 1/2"x1/4 0/000.500.7003 (u. 1) 	OBSOLETE
24	<ul style="list-style-type: none"> ● HANDLEBAR GRIPS YELLOW 0/000.530.5020 (u. 1) 	
25	<ul style="list-style-type: none"> ● HANDLEBAR GRIPS 0/000.530.8001 (u. 1) 	OBSOLETE

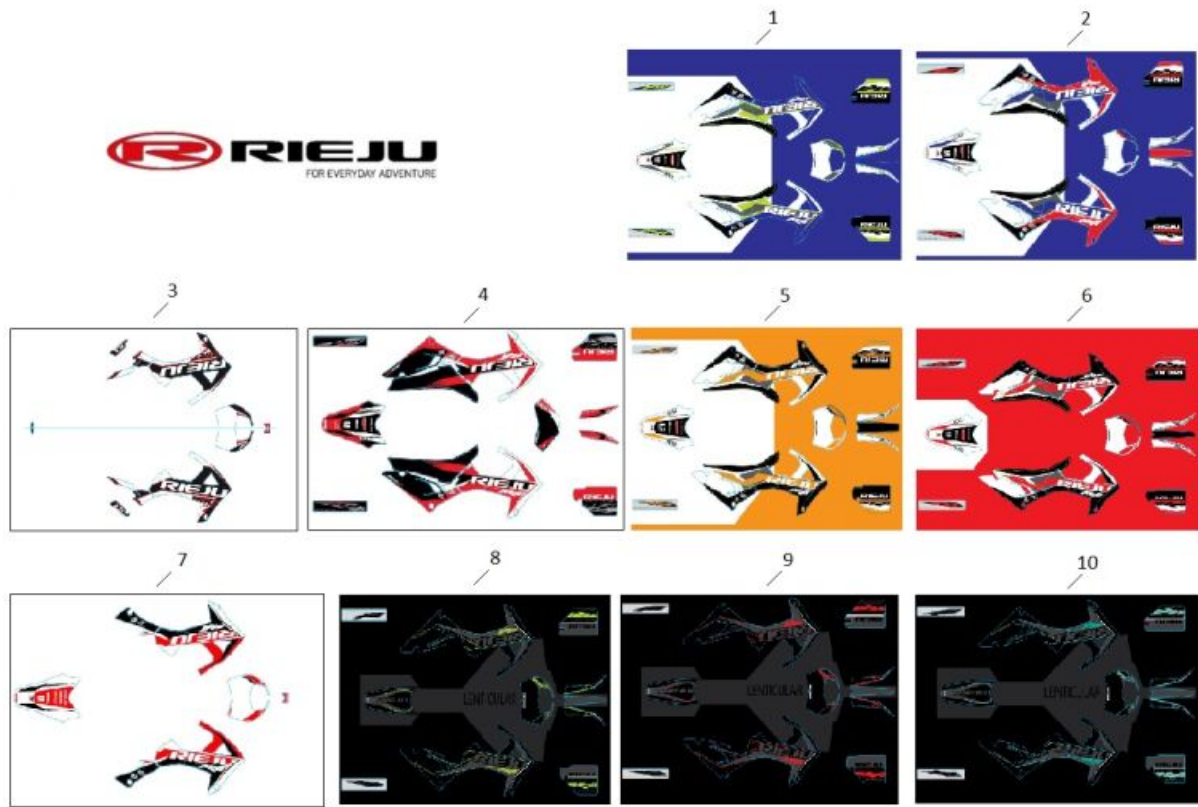
ACCESSORIES - WHEELS / SEATS



1	<ul style="list-style-type: none"> ● FRONT WHEEL GEEEN 17" MRT 2017 0/000.120.5450 (u. 1) - LLANTA COMPLETA SIN NEUMATICO Y SIN DISCO DE FRENO ● FRONT WHEEL GEEEN 17" MRT 2017 0/000.110.5450 (u. 1) - LLANTA COMPLETA SIN NEUMATICO Y SIN DISCO DE FRENO 	
2	<ul style="list-style-type: none"> ● BLUE COMPLETE FRONT WHEEL ASSEMBLY W/O RUBBER 0/000.110.5448 (u. 1) - LLANTA COMPLETA SIN NEUMATICO Y SIN DISCO DE FRENO ● BLUE COMPLETE REAR WHEEL ASSEMBLY W/O RUBBER 0/000.120.5448 (u. 1) - LLANTA COMPLETA SIN NEUMATICO Y SIN DISCO DE FRENO 	
3	<ul style="list-style-type: none"> ● RED FRONT WHEEL 17" SM 2015 0/000.110.5447 (u. 1) - LLANTA COMPLETA SIN NEUMATICO Y SIN DISCO DE FRENO ● RED FRONT WHEEL 17" SM 2015 0/000.120.5447 (u. 1) - LLANTA COMPLETA SIN NEUMATICO Y SIN DISCO DE FRENO 	
4	<ul style="list-style-type: none"> ● COMPLETE WHEELS ASSY MRT TRAIL WITH REAR SPROCKET Z62 0/K00.115.0020 (u. 1) - JUEGO DE RUEDAS COMPLETO CON DISCO DE FRENO 	
5	<ul style="list-style-type: none"> ● COMP. 17" RADIAL SPOKED WHEEL MRT 50 SM W/220MM DISC BRAKE 0/K00.115.0005 (u. 1) - JUEGO DE RUEDAS COMPLETO CON DISCO DE FRENO 	
6	<ul style="list-style-type: none"> ● SILLIN MRT PRO V.2 ROJO-GRIS 0/000.040.5040 (u. 1) 	
7	<ul style="list-style-type: none"> ● COMPLETE SEAT MRT REPLICA 2019 ORANGE 0/000.040.5031 (u. 1) 	
8	<ul style="list-style-type: none"> ● SEAT MRT FREEJUMP 2019 GREEN 0/000.040.5033 (u. 1) 	OBSOLETE
9	<ul style="list-style-type: none"> ● SILLIN MRT PRO V.2 AZUL- GRIS 0/000.040.5035 (u. 1) 	
10	<ul style="list-style-type: none"> ● SILLIN MRT PRO EDICION ESPECIAL NEGRO/ROJO 2021 0/000.040.5037 (u. 1) 	
11	<ul style="list-style-type: none"> ● SILLIN MRT PRO V.2 NARANJA-GRIS 0/000.040.5043 (u. 1) 	

12	<ul style="list-style-type: none">SILLIN MRT PRO V.2 GRIS -VERDE 0/000.040.5041 (u. 1)
13	<ul style="list-style-type: none">SILLIN MRT PRO V.2 NEGRO-GRIS 0/000.040.5042 (u. 1)
14	<ul style="list-style-type: none">DECAL SET WHEEL RED TEAM SM RACING 2014 0/000.390.5122 (u. 1)

ACCESORIES - STICKERS SET



1	<ul style="list-style-type: none"> JUEGO CALCAS MRT PRO V.2 VERDE - AZUL 0/000.390.5354 (u. 1)
2	<ul style="list-style-type: none"> JUEGO CALCAS MRT PRO V.2 AZUL - ROJO 0/000.390.5353 (u. 1)
3	<ul style="list-style-type: none"> JUEGO DE CALCAS MARATHON 125 LC 2021 0/000.390.5350 (u. 1)
4	<ul style="list-style-type: none"> JUEGO CALCAS MRT TROPHY V.2 0/000.390.5357 (u. 1)
5	<ul style="list-style-type: none"> JUEGO CALCAS MRT PRO V.2 NARANJA-NEGRO 0/000.390.5356 (u. 1)
6	<ul style="list-style-type: none"> JUEGO CALCAS MRT PRO V.2 ROJO - NEGRO 0/000.390.5352 (u. 1)
7	<ul style="list-style-type: none"> JUEGO DE CALCAS MRT V.2 0/000.390.5351 (u. 1)
8	<ul style="list-style-type: none"> JUEGO CALCAS MRT BLACK SERIES YELLOW V.2 0/000.390.5360 (u. 1)
9	<ul style="list-style-type: none"> JUEGO CALCAS MRT BLACK SERIES RED V.2 0/000.390.5359 (u. 1)
10	<ul style="list-style-type: none"> JUEGO CALCAS MRT BLACK SERIES BLUE V.2 0/000.390.5358 (u. 1)

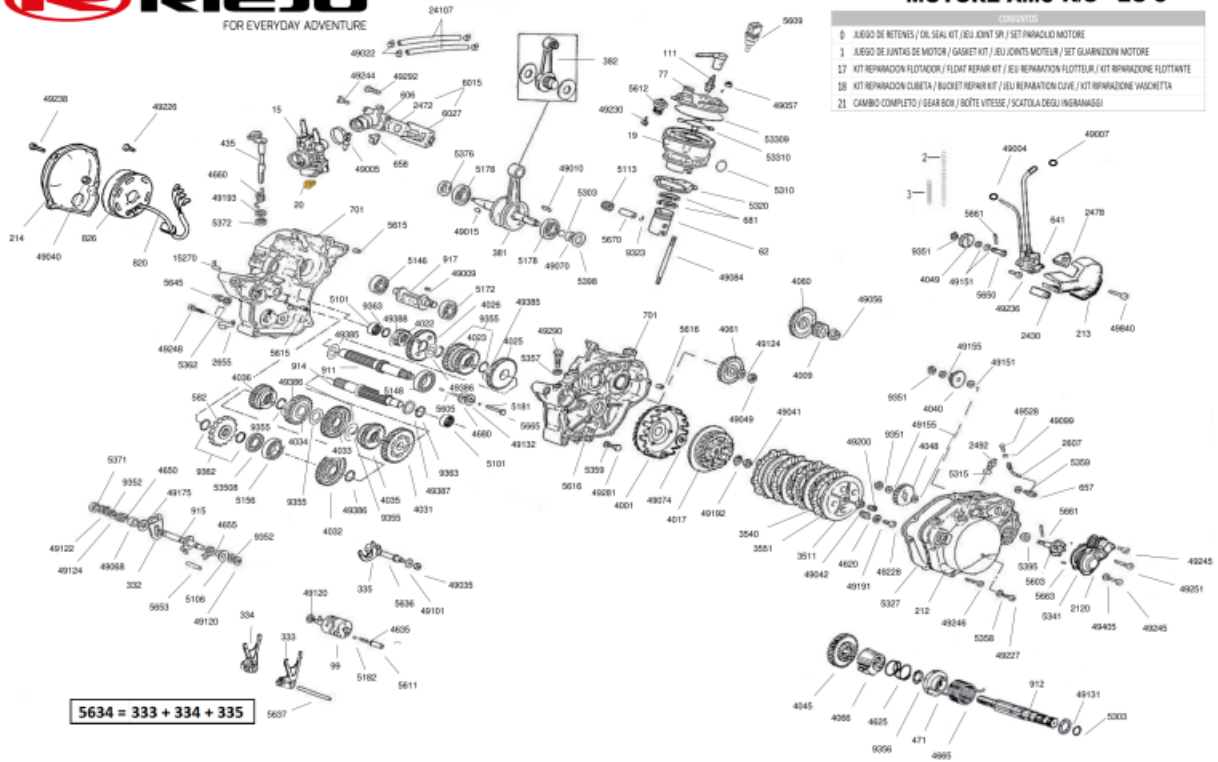
Motor (AM6 K/S EU-5 V2 0344)



MOTORE AM6 K/S EU-5

CONTENUTO

- 0 JUEGO DE RETENES / OIL SEAL KIT / JEI JOINT SP / SET PARAOLIO MOTORE
- 1 JUEGO DE JUNTAS DE MOTOR / GASKET KIT / JEI JOINTS MOTEUR / SET GUARNIZIONI MOTORE
- 17 KIT REPARACION FLOTADOR / FLOAT REPAIR KIT / JEI REPARATION FLOTTEUR / KIT RIPARAZIONE FLOTTANTE
- 18 KIT REPARACION CUBETA / BUCKET REPAIR KIT / JEI REPARATION CUVÉE / KIT RIPARAZIONE VASCHETTA
- 21 CAMBIO COMPLETO / GEAR BOX / BÔTE VITESSE / SCATOLA DEGLI INGRANAGGI

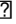


0	<ul style="list-style-type: none"> ● CUB SET 0/005.710.7266 (u. 1)
1	<ul style="list-style-type: none"> ● JOIN SET 0/005.710.6871 (u. 1)
2	<ul style="list-style-type: none"> ● MUELLE COMPRESION 170 x Ø6 x Ø0,5 INOX 0/000.470.5013 (u. 1)
3	<ul style="list-style-type: none"> ● MUELLE COMPRESION 390 x Ø10 x Ø0,8 INOX 0/000.470.5014 (u. 1)
15	<ul style="list-style-type: none"> ● CARBURADOR PHBN16 AM6 EURO5 V2 0/005.155.5002 (u. 1)
17	<ul style="list-style-type: none"> ● REPAIR KIT FLOAT 0/005.991.4930 (u. 1)
18	<ul style="list-style-type: none"> ● BUCKET REPAIR KIT 0/005.992.0150 (u. 1)
19	<ul style="list-style-type: none"> ● CILINDRO/PIST.D40.3 GRIGIO-113 0/005.718.2947 (u. 1)
20	<ul style="list-style-type: none"> ● SURTIDOR Ø 80 6413 x 02 0/005.991.4891 (u. 1)
21	<ul style="list-style-type: none"> ● COMPLETE GEAR CHANGE AM6 K/S &E/S 0/005.401.0313 (u. 1)
62	<ul style="list-style-type: none"> ● PISTON COMPLETE Ø40,3 0/005.711.2150 (u. 1)
77	<ul style="list-style-type: none"> ● BREECH AM6 0/005.770.5252 (u. 1)
99	<ul style="list-style-type: none"> ● TREE 0/005.090.0330 (u. 1)
111	<ul style="list-style-type: none"> ● SPARK PLUG N.G.K. BR9 0/005.110.1559 (u. 1)
212	<ul style="list-style-type: none"> ● COVER CLUTCH 0/005.210.7381 (u. 1)

213	<ul style="list-style-type: none"> COVER OIL PUMP MRT 2012 0/005.210.7350 (u. 1) 	
214	<ul style="list-style-type: none"> COVERS STEERING WHEEL 0/005.210.9123 (u. 1) 	
332	<ul style="list-style-type: none"> FORK SENDS SELECTOR 0/005.330.0217 (u. 1) 	
333	<ul style="list-style-type: none"> FORK CONTROL CHANGE 1ª AND 3ª 0/005.330.0060 (u. 1) 	
334	<ul style="list-style-type: none"> FORK CONTROL CHANGE 2ª AND 3ª 0/005.330.0070 (u. 1) 	
335	<ul style="list-style-type: none"> FORK CONTROL CHANGE 5ª AND 6ª 0/005.330.0080 (u. 1) 	
381	<ul style="list-style-type: none"> COMPLETE CRANKSHAFT 0/005.715.0780 (u. 1) 	
382	<ul style="list-style-type: none"> COMPLETE CONNECTING ROD ø 16 0/005.715.3377 (u. 1) 	OBSOLETE
	<ul style="list-style-type: none"> COMPLETE CONNECTING ROD ø 18 0/005.715.3464 (u. 1) 	
435	<ul style="list-style-type: none"> WEIGH CLUTCH COMPLETE 0/005.430.0320 (u. 1) 	
471	<ul style="list-style-type: none"> SPRING GUIDE CUP 0/005.470.1159 (u. 1) 	
582	<ul style="list-style-type: none"> DRIVE SPROCKET Z11 1/2" x 3/16" 0/005.580.5001 (u. 1) 	
606	<ul style="list-style-type: none"> MANIFOLD Ø20 AM EURO4 0/005.601.4980 (u. 1) 	
641	<ul style="list-style-type: none"> OIL PUMP "PRICOL" 0/005.640.0196 (u. 1) 	
657	<ul style="list-style-type: none"> BRIDGE REGISTERS CABLE OIL PUMP 0/005.650.1420 (u. 1) 	
	<ul style="list-style-type: none"> BRIDGE REGISTERS CABLE OIL PUMP PRICOL 0/005.650.1421 (u. 1) 	
658	<ul style="list-style-type: none"> BRIDGE CABLE CLUTCH 0/005.650.1410 (u. 1) 	
681	<ul style="list-style-type: none"> SEGMENT SET Ø40,3x1,2 0/005.714.2080 (u. 1) 	
701	<ul style="list-style-type: none"> CRANKCASE PAIR AM6 (KICK STARTER) 0/005.710.1606 (u. 1) 	
826	<ul style="list-style-type: none"> COMPLETE STEERING WHEEL MORIC 0/005.822.2544 (u. 1) 	
911	<ul style="list-style-type: none"> PRIMARY TREE ALONE 0/005.010.3396 (u. 1) 	
912	<ul style="list-style-type: none"> STARTING TREE 2012 0/005.010.1216 (u. 1) 	
914	<ul style="list-style-type: none"> SECONDARY TREE ALONE 0/005.010.4367 (u. 1) 	
915	<ul style="list-style-type: none"> TREE SELECTOR 0/005.010.5110 (u. 1) 	
917	<ul style="list-style-type: none"> CONTRALBERO 0/005.010.9062 (u. 1) 	
2120	<ul style="list-style-type: none"> TAPA BOMBA AGUA 0/005.210.6138 (u. 1) 	
2430	<ul style="list-style-type: none"> RUBBER CLOSES CABLE FOR PUMP PRICOL 0/005.240.5336 (u. 1) 	
2472	<ul style="list-style-type: none"> INSERT VALVE OF SHEETS 0/005.240.2117 (u. 1) 	

2478	● RUBBER FOR OILTUBE 0/005.240.5334 (u. 1)
2492	● PLUG FEEDING OIL 0/005.247.0547 (u. 1)
2607	● HOSE 0/005.260.5535 (u. 1)
2655	● TUBE SUPPORT 0/005.260.6057 (u. 1)
3511	● FINAL CLUTCH COVER 0/005.350.1380 (u. 1)
3540	● DISK CLUTCH OF THICK IRON S.P. 1,2 0/005.350.1200 (u. 3)
3551	● DISK LINED CLUTCH 0/005.350.3580 (u. 4)
4001	● CROWN CLUTCH WITH SPROCKET Z = 20/71 0/005.710.2527 (u. 1)
4017	● DRUM CLUTCH IN ALUMINUM 0/005.403.6020 (u. 1)
4022	● PINENUT 2ª ON PRIMARY 0/005.400.3738 (u. 1)
4023	● PINENUT 3ª AND 4ª ON PRIMARY 0/005.400.3729 (u. 1)
4025	● PINENUT 5ª ON PRIMARY 0/005.400.3730 (u. 1)
4026	● PINENUT 6ª ON PRIMARY 0/005.400.3731 (u. 1)
4031	● PINENUT 1ª ON SECONDARY 0/005.400.3732 (u. 1)
4032	● PINENUT 2ª ON SECONDARY 0/005.400.3733 (u. 1)
4033	● PINENUT 3ª ON SECONDARY 0/005.400.3734 (u. 1)
4034	● PINENUT 4ª ON SECONDARY 0/005.400.3735 (u. 1)
4035	● PINENUT 5ª ON SECONDARY 0/005.400.3736 (u. 1)
4036	● PINENUT 6ª ON SECONDARY 0/005.400.3737 (u. 1)
4040	● INTERMEDIATE DOUBLE PINENUT Z = 13/24 0/005.400.4787 (u. 1)
4045	● STARTING GEAR Z=21 0/005.400.5351 (u. 1)
4048	● PINENUT PUMP DILUTES Z = 30 0/005.400.5780 (u. 1)
4049	● PINENUT PUMP OILS 0/005.400.5757 (u. 1)
4060	● PINENUT CONDUCTIVE AGAINST-TREE Z=34 0/005.400.5660 (u. 1)
4061	● PINENUT CONDUCTIVE AGAINST-TREE Z=34 0/005.400.5660 (u. 1)
	● PINENUT AGAINST-TREE Z = 34 0/005.400.5670 (u. 1)
4066	● STARTING CATCH PINION 0/005.400.6621 (u. 1)
4620	● SPRING CLUTCH 0/005.460.1340 (u. 4)

OBSOLETE

4625	<ul style="list-style-type: none"> ● SPRING FOR STARTING CATCH PINION 0/005.460.1489 (u. 1) 	
4635	<ul style="list-style-type: none"> ● SPRING RETAINS MARCH 0/005.460.3510 (u. 1) 	
4650	<ul style="list-style-type: none"> ● SPRING RETAINS FORK SELECTOR 0/005.460.1967 (u. 1) 	
4655	<ul style="list-style-type: none"> ● SPRING RETAINS LEVER SELECTOR 0/005.460.2027 (u. 1) 	
4660	<ul style="list-style-type: none"> ● SPRING RECOVERY WEIGHS CLUTCH 0/005.460.2200B (u. 1) 	
4665	<ul style="list-style-type: none"> ● MUELLE PARA ARBOL TEAMWORLD 0/005.460.2362 (u. 1) 	OBSOLETE
	<ul style="list-style-type: none"> ● MUELLE PARA ARBOL TEAMWORLD 0/005.460.2363 (u. 1) 	
4680	<ul style="list-style-type: none"> ● WASHER-SPRING 0/005.460.3010 (u. 1) 	
5101	<ul style="list-style-type: none"> ● CAGE OF ROLLERS DB 14-12 0/005.510.1029 (u. 2) 	
5106	<ul style="list-style-type: none"> ● CAP FOR SELECTOR SPRING 0/005.510.1297 (u. 1) 	
5113	<ul style="list-style-type: none"> ● CAGE KD 12 x 15 x 15 0/005.510.3029 (u. 1) 	
5146	<ul style="list-style-type: none"> ● BEARING Ø15 x 35 x 11 0/005.510.2039 (u. 1) 	
5148	<ul style="list-style-type: none"> ● BEARING Ø17 x 40 x 12 0/005.510.2059 (u. 1) 	
5156	<ul style="list-style-type: none"> ● BEARING Ø20 x 47 x 14 0/005.510.2159 (u. 1) 	
5172	<ul style="list-style-type: none"> ● BEARING Ø17 x 40 x 12 0/005.510.2299 (u. 1) 	
5178	<ul style="list-style-type: none"> ● BEARING Ø17 x 47 x 14 0/005.510.2652 (u. 2) 	
5181	<ul style="list-style-type: none"> ● BALL 3/16"  0/005.510.4039 (u. 1) 	
5182	<ul style="list-style-type: none"> ● BALL Ø9 MM 0/005.510.4079 (u. 1) 	
5303	<ul style="list-style-type: none"> ● O RING 0/005.530.1047B (u. 1) 	
5310	<ul style="list-style-type: none"> ● O RING 25,07X2,62 VITON 0/005.530.1759B (u. 1) 	
5315	<ul style="list-style-type: none"> ● RING OF RETENTION Ø15,1 x 2,70 0/005.530.1788 (u. 1) 	
5320	<ul style="list-style-type: none"> ● GASKET CYLINDER 0/005.530.8020B (u. 1) 	
5327	<ul style="list-style-type: none"> ● CLUTCH COVER GASKET 0/005.530.3640B (u. 1) 	
5330	<ul style="list-style-type: none"> ● FLYWHEEL GASKET 0/005.530.8860 (u. 1) 	
5341	<ul style="list-style-type: none"> ● BODY PUMP WATER BOARD 0/005.530.4000B (u. 1) 	
5357	<ul style="list-style-type: none"> ● SCREW GASKET 0/005.530.4710 (u. 1) 	
5358	<ul style="list-style-type: none"> ● SCREW 6 x 12 OIL LEVEL GASKET 0/005.530.4720 (u. 2) 	
5359	<ul style="list-style-type: none"> ● FIBER BOARD 0/005.530.4730B (u. 3) 	

5361	<ul style="list-style-type: none"> ● SCREW WATER EXIT 14,1 x 22 x 1 GASKET 0/005.530.4750 (u. 1) 	
5362	<ul style="list-style-type: none"> ● NEUTRAL INDICATOR GASKET 0/005.530.4790 (u. 1) 	
5371	<ul style="list-style-type: none"> ● SEAL 12*22*7 0/005.530.5019B (u. 1) 	
5372	<ul style="list-style-type: none"> ● SEAL 15*24*5 0/005.530.5029B (u. 1) 	
5376	<ul style="list-style-type: none"> ● SEAL 17*35*8 0/005.530.5069B (u. 1) 	
5395	<ul style="list-style-type: none"> ● SEAL 10*18*8 0/005.530.5339B (u. 1) 	
	<ul style="list-style-type: none"> ● DETENT 10 x 18 x 8 0/005.530.5339 (u. 1) 	
5398	<ul style="list-style-type: none"> ● SEAL 24*35*7 0/005.530.5379B (u. 1) 	
5603	<ul style="list-style-type: none"> ● FASTENER BOMB DILUTES 0/005.560.0080 (u. 1) 	
5605	<ul style="list-style-type: none"> ● BAR PUSHER CLUTCH Ø5 x 116,6 0/005.560.1460 (u. 1) 	
5609	<ul style="list-style-type: none"> ● TEMPERATURE SENSOR POWER UP ENGINE 0/005.560.1991 (u. 1) 	
5611	<ul style="list-style-type: none"> ● PIN 0/005.560.2070 (u. 1) 	
5612	<ul style="list-style-type: none"> ● THERMOSTAT \$BEHR THOMSON Nº 1085" 0/006.050.0077 (u. 1) 	
5615	<ul style="list-style-type: none"> ● CRANKCASE GUIDE Ø11,5 x 12 0/005.560.2580 (u. 2) 	
5616	<ul style="list-style-type: none"> ● CRANKCASE GUIDE Ø8,51 x 7,6 0/005.560.2610 (u. 2) 	
5634	<ul style="list-style-type: none"> ● KIT HORQUILLAS MANDO CAMBIO 0/K05.330.0060 (u. 1) 	
5636	<ul style="list-style-type: none"> ● SHAFT 7,8 x 72 0/005.560.9010 (u. 1) 	
5637	<ul style="list-style-type: none"> ● SHAFT 7,8 x 91,5 0/005.560.9020 (u. 1) 	
5645	<ul style="list-style-type: none"> ● SWITCH DEAD POINT 0/005.560.3570 (u. 1) 	
5650	<ul style="list-style-type: none"> ● SHAFT OIL PUMP 0/005.560.9777 (u. 1) 	
5653	<ul style="list-style-type: none"> ● SHAFT 0/005.560.9787 (u. 1) 	
5661	<ul style="list-style-type: none"> ● WATER PUMP SPINDLE PIN 0/006.050.0080 (u. 2) 	
5663	<ul style="list-style-type: none"> ● ROLLER Ø4 x 10 BODY BOMB 0/005.560.4017 (u. 2) 	
5665	<ul style="list-style-type: none"> ● PUSHER CLUTCH Ø13 IN HEAD 0/005.560.5510 (u. 1) 	
5670	<ul style="list-style-type: none"> ● PISTON PIN 0/005.560.6100 (u. 1) 	
6013	<ul style="list-style-type: none"> ● BODY BOMB DILUTES (FRAME>832222) 0/005.600.1290 (u. 1) - BAST.>832222) 	OBSOLETE
	<ul style="list-style-type: none"> ● TAPA BOMBA AGUA 0/005.210.6138 (u. 1) 	
6015	<ul style="list-style-type: none"> ● VALVE OF SHEETS 0/005.600.0871 (u. 1) 	

9323	<ul style="list-style-type: none"> PISTON PIN CLIP RING 0/005.030.2130 (u. 2) 	
9351	<ul style="list-style-type: none"> RING SEEGER Ø8 0/005.030.3016 (u. 3) 	
9352	<ul style="list-style-type: none"> RING SEEGER Ø12 0/005.030.3026 (u. 2) 	
9355	<ul style="list-style-type: none"> RING SEEGER Ø18 0/005.030.3057 (u. 2) 	
9356	<ul style="list-style-type: none"> RING SEEGER FOR TREE Ø18 STARTER 0/005.030.3066 (u. 1) 	
9362	<ul style="list-style-type: none"> RING SEEGER Ø20 0/005.030.3127 (u. 3) 	
9363	<ul style="list-style-type: none"> RING SEEGER Ø14 0/005.491.7623 (u. 2) 	
9365	<ul style="list-style-type: none"> RING SEEGER Ø20 0/005.030.3364 (u. 3) 	
15270	<ul style="list-style-type: none"> JOINT 0/005.150.6489 (u. 1) 	OBSOLETE
24107	<ul style="list-style-type: none"> COOLING PIPE L:130 ENGINE 0/005.240.3691 (u. 2) 	
49004	<ul style="list-style-type: none"> OIL PUMP TUBE 0/006.050.0094 (u. 1) 	
	<ul style="list-style-type: none"> BAND FOR TUBE OILS 0/005.490.0479 (u. 1) 	OBSOLETE
	<ul style="list-style-type: none"> OIL PUMP TUBE 0/006.050.0094 (u. 1) 	
49005	<ul style="list-style-type: none"> BAND FIXING 0/006.050.0095 (u. 1) 	
49007	<ul style="list-style-type: none"> BAND FOR ENTERED TUBE OILS TO THE BOMB 0/005.490.0269 (u. 2) 	OBSOLETE
	<ul style="list-style-type: none"> ABRAZADERA 0/006.050.0091 (u. 2) 	
49009	<ul style="list-style-type: none"> LOCKNUT 4 x 4 x 8 0/005.490.1120 (u. 1) 	
49010	<ul style="list-style-type: none"> LOCKNUT 4 x 4 x 20 FOR SPROCKET 0/005.490.1180 (u. 1) 	
49015	<ul style="list-style-type: none"> LOCKNUT 3 x 3,7 x 10 FLYWHEEL 0/005.490.1248 (u. 1) 	
49022	<ul style="list-style-type: none"> BAND FIXING Ø8 BLACK 0/006.050.0097 (u. 4) 	
49035	<ul style="list-style-type: none"> METRIC NUT 7 x 5,5 0/005.490.3059 (u. 1) 	
49040	<ul style="list-style-type: none"> NUT M10X1,25 0/005.490.3490B (u. 1) 	
49041	<ul style="list-style-type: none"> METRIC NUT 12 x 1,25 0/005.490.3370 (u. 1) 	
49042	<ul style="list-style-type: none"> METRIC NUT 14 x 1,25 0/005.490.3240 (u. 1) 	
49049	<ul style="list-style-type: none"> METRIC NUT 12 x 1 0/005.490.3420 (u. 1) 	
49056	<ul style="list-style-type: none"> NUT M12X1,25 0/005.490.3470B (u. 1) 	
49057	<ul style="list-style-type: none"> NUT M7X1 0/005.490.3540 (u. 1) 	
49068	<ul style="list-style-type: none"> SPACER Ø12,4 x 14,4 x 11 0/005.490.4127 (u. 1) 	

49070	<ul style="list-style-type: none"> SPACER Ø16,9 x 24 x 8 0/005.490.4663 (u. 1)
49074	<ul style="list-style-type: none"> SPACER DRUM CLUTCH Ø13 x 30 x 4 0/005.490.4390 (u. 1)
49084	<ul style="list-style-type: none"> METRIC SCREW 7 x 115 0/005.490.5140 (u. 4)
49101	<ul style="list-style-type: none"> WASHER Ø7 JAGGED INTERIOR 0/005.490.6129 (u. 1)
49120	<ul style="list-style-type: none"> WASHER 10X16X0,6 0/005.490.6406B (u. 2)
49122	<ul style="list-style-type: none"> WASHER STEELS Ø12 x 17 x 0,6 0/005.490.6426 (u. 1)
49124	<ul style="list-style-type: none"> WASHER STEELS Ø12,3 x 22 0/005.490.6440 (u. 2)
49131	<ul style="list-style-type: none"> WASHER STEELS Ø16 x 25 x 0,4 0/005.490.6514 (u. 1)
49132	<ul style="list-style-type: none"> WASHER 17,2X30 0/005.490.6520B (u. 1)
49151	<ul style="list-style-type: none"> WASHER STEELS Ø8,4 x 16 x 0,6 0/005.491.6096 (u. 5)
49155	<ul style="list-style-type: none"> WASHER STEELS Ø8,2 x 15 x 1 0/005.491.6130 (u. 3)
49175	<ul style="list-style-type: none"> WASHER Ø12,75 x 28 x 1,5 0/005.490.6800 (u. 1)
49191	<ul style="list-style-type: none"> WASHER Ø5 x 15 x 2 0/005.490.6890 (u. 4)
49192	<ul style="list-style-type: none"> WASHER 5X15X2 0/005.490.7000B (u. 1)
49193	<ul style="list-style-type: none"> WASHER Ø14 x 26 x 0,5 0/005.490.7010 (u. 1)
49200	<ul style="list-style-type: none"> SCREW CLUTCH M14 x 1,25 x 18 0/005.490.8010 (u. 1)
49226	<ul style="list-style-type: none"> SCREW 4X10 0/005.490.9389B (u. 3)
49227	<ul style="list-style-type: none"> METRIC SCREW 6 x 6 0/005.490.8420 (u. 2)
49228	<ul style="list-style-type: none"> SCREW 5X20 0/005.491.9049B (u. 4)
49230	<ul style="list-style-type: none"> METRIC SCREW 4 x 10 0/005.490.8460 (u. 2)
49236	<ul style="list-style-type: none"> METRIC SCREW 5 x 16 0/005.490.8529 (u. 2)
49238	<ul style="list-style-type: none"> METRIC SCREW 6 x 20 0/000.460.0290 (u. 5)
49244	<ul style="list-style-type: none"> METRIC SCREW 6 x 20 0/005.490.8619 (u. 4)
	<ul style="list-style-type: none"> METRIC SCREW 6 x 22 0/000.460.0310 (u. 2)
49245	<ul style="list-style-type: none"> METRIC SCREW 6 x 25 0/000.460.0311 (u. 2)
49246	<ul style="list-style-type: none"> METRIC SCREW 6 x 30 0/000.460.0320 (u. 7)
49248	<ul style="list-style-type: none"> METRIC SCREW 6 x 40 0/005.490.8659 (u. 13)
49251	<ul style="list-style-type: none"> METRIC SCREW 6 x 55 0/005.490.8689 (u. 1)

OBSOLETE

49281	<ul style="list-style-type: none"> METRIC SCREW 8 x 10 0/005.490.9119 (u. 1) 	
49290	<ul style="list-style-type: none"> METRIC SCREW 12 x 1,25 0/005.490.9220 (u. 1) 	
49292	<ul style="list-style-type: none"> ANTI TAMPERING SCREW 0/006.050.0114 (u. 2) 	
49385	<ul style="list-style-type: none"> ARANDELA ARBOL PRIMARIO AM6 0/005.491.7618 (u. 1) 	
	<ul style="list-style-type: none"> ARANDELA ARBOL PRIMARIO AM6 0/005.491.7618 (u. 1) 	
49386	<ul style="list-style-type: none"> ARANDELA ARBOL SECUNDARIO AM6 0/005.491.7622 (u. 5) 	OBSOLETE
	<ul style="list-style-type: none"> WASHER 0/005.491.7621 (u. 1) 	
49387	<ul style="list-style-type: none"> ARANDELA MOTOR E4 MINARELLI 0/000.440.0317 (u. 1) 	
49388	<ul style="list-style-type: none"> RING SEEGER Ø14 0/005.491.7623 (u. 1) 	
49405	<ul style="list-style-type: none"> WASHER Ø6 x 11 x 1,2 0/005.491.7570 (u. 1) 	
49528	<ul style="list-style-type: none"> TORNILLO TUBO CURVADO 40 0/005.490.8071 (u. 1) 	
49840	<ul style="list-style-type: none"> METRIC SCREW 5 x 35 0/005.497.0669 (u. 2) 	
53309	<ul style="list-style-type: none"> O RING 2,62 0/005.530.1749B (u. 1) 	
53310	<ul style="list-style-type: none"> O RING 2,62 0/005.530.1739B (u. 1) 	
53508	<ul style="list-style-type: none"> SEAL 20*35*7 0/005.530.5499B (u. 1) 	