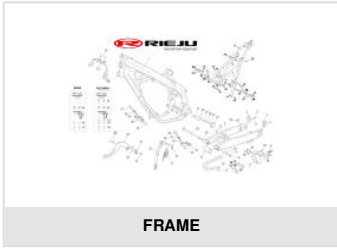


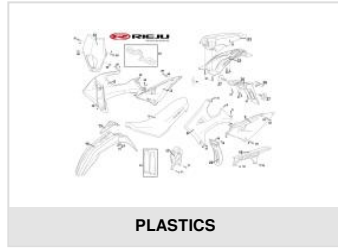


# MRT 50 PRO RACING E5 V2 VERDE 2024

## Exploded



FRAME



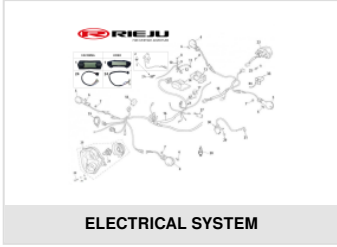
PLASTICS



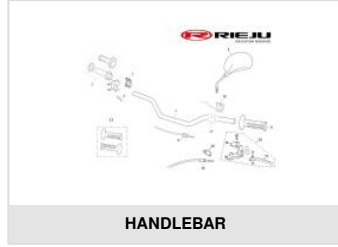
EXHAUST - RADIATOR



TANK - CANISTER



ELECTRICAL SYSTEM



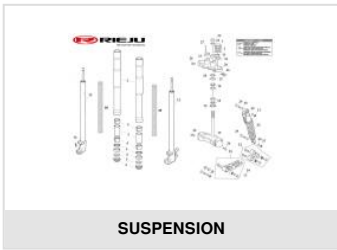
HANDLEBAR



BRAKES



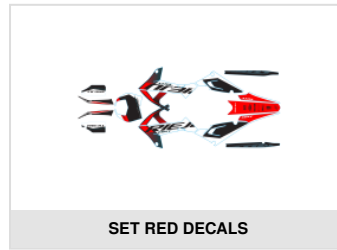
ENDURO WHEELS



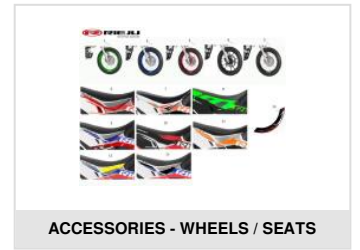
SUSPENSION



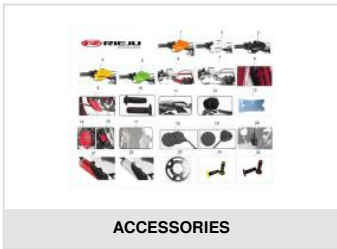
SET GREEN DECALS



SET RED DECALS



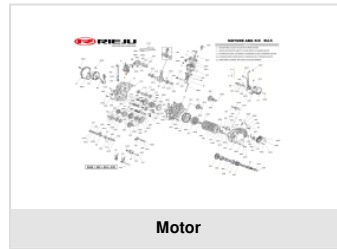
ACCESSORIES - WHEELS / SEATS



ACCESSORIES

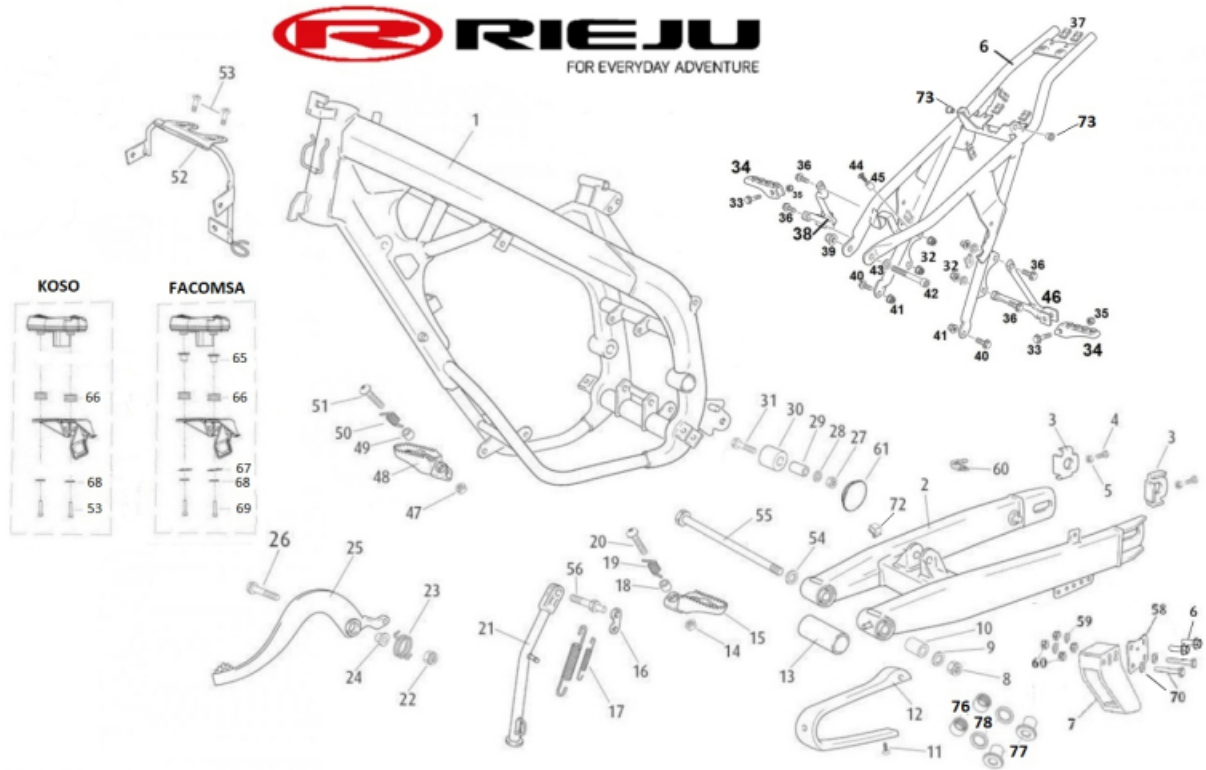


ACCESORIES - STICKERS SET



Motor

**FRAME**

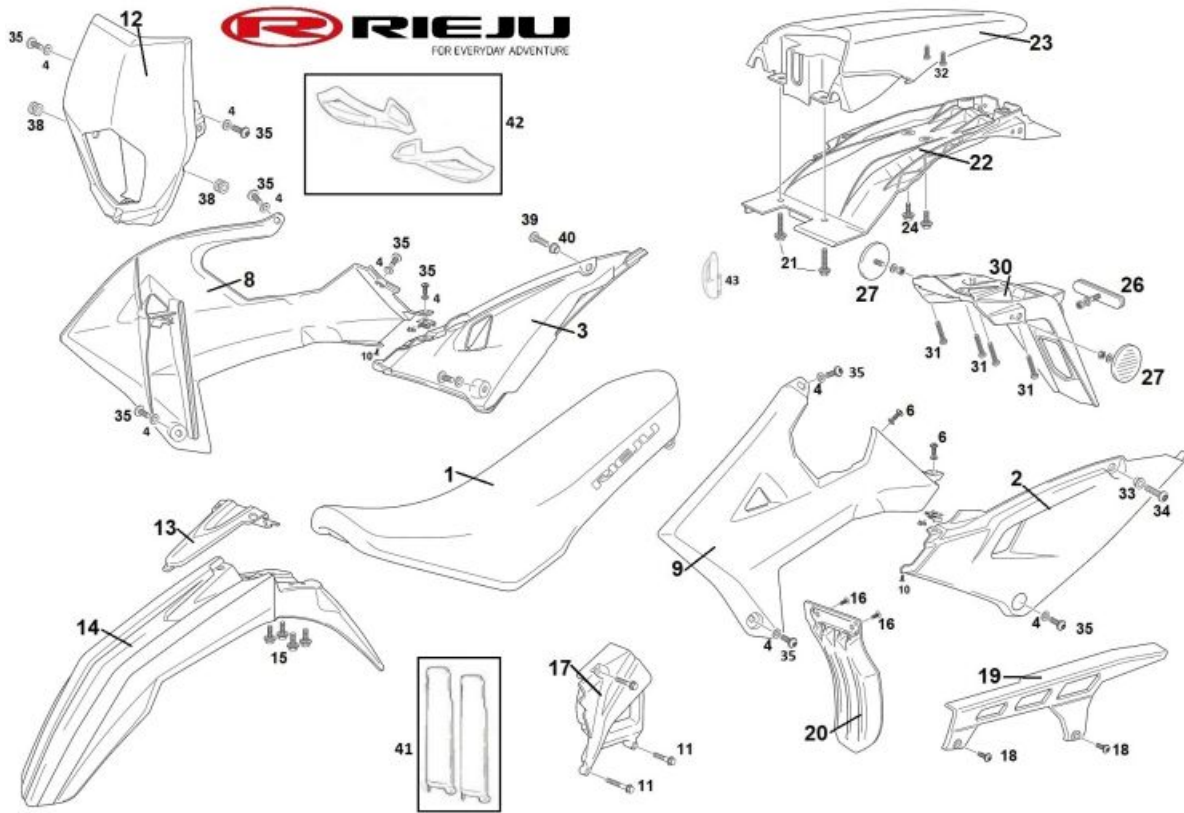


1	<ul style="list-style-type: none"> <li>FULL PAINTED CHASSIS 0/000.010.5006 (u. 1)</li> </ul>
2	<ul style="list-style-type: none"> <li>TAPON BASCULANTE ALUMINIO v.2 NEGRO 0/000.410.5008 (u. 4)</li> <li>KIT BASCULANTE ALUMINIO COMPLETO MRT v.2 0/K00.020.5219 (u. 1)</li> </ul>
3	<ul style="list-style-type: none"> <li>WHEEL TENSOR 0/000.380.5212 (u. 2)</li> </ul>
4	<ul style="list-style-type: none"> <li>WHEEL TENSOR BOLT 0/000.460.0636 (u. 2)</li> </ul>
5	<ul style="list-style-type: none"> <li>WHEEL TENSOR NUT 0/000.340.0140 (u. 2)</li> </ul>
6	<ul style="list-style-type: none"> <li>SUBCHASSIS MRT EURO5 CON REMACHES 0/K00.010.5017 (u. 1)</li> </ul>
7	<ul style="list-style-type: none"> <li>CHAIN GUIDE 2018 0/000.710.0302 (u. 1)</li> </ul>
8	<ul style="list-style-type: none"> <li>SWING ARM SHAFT NUT 0/000.340.0186 (u. 1)</li> </ul>
9	<ul style="list-style-type: none"> <li>SWING ARM SHAFT WASHER 0/000.440.0123 (u. 1)</li> </ul>
10	<ul style="list-style-type: none"> <li>SWING ARM SILENTBLOC 0/000.360.0370 (u. 2)</li> </ul>
11	<ul style="list-style-type: none"> <li>CHAIN SLIDER PLATE THREAD SCREW 0/000.460.0745 (u. 2)</li> </ul>
12	<ul style="list-style-type: none"> <li>RUBBER SKATE CHAIN MRX/SMX 0/000.360.5001 (u. 1)</li> </ul>
13	<ul style="list-style-type: none"> <li>SWING ARM SHAFT GUIDE BUSHING 0/000.480.5037 (u. 1)</li> </ul>
14	<ul style="list-style-type: none"> <li>SHOCK ABSORBER BOLT NUT 0/000.340.0182 (u. 2)</li> </ul>

15	<ul style="list-style-type: none"> <li>LEFT-HAND RIDER FOOTREST 0/000.740.0310 (u. 1)</li> </ul>
16	<ul style="list-style-type: none"> <li>PADDOCK STAND BOLT PIN 0/000.980.5102 (u. 1)</li> </ul>
17	<ul style="list-style-type: none"> <li>STAND SPRING TANGO 0/000.470.8000 (u. 1)</li> </ul>
18	<ul style="list-style-type: none"> <li>INNER RIGHT-HAND RIDER FOOTREST BUSHING 0/000.480.0215 (u. 1)</li> </ul>
19	<ul style="list-style-type: none"> <li>INNER FOOTREST SPRING 0/000.470.5002 (u. 1)</li> </ul>
20	<ul style="list-style-type: none"> <li>RIDER FOOTREST BOLT 0/000.460.5100 (u. 1)</li> </ul>
21	<ul style="list-style-type: none"> <li>SIDESTAND TANGO 0/000.210.8000 (u. 1)</li> </ul>
22	<ul style="list-style-type: none"> <li>SILENTBLOC ATTACHMENT NUT 0/000.340.0181 (u. 1)</li> </ul>
23	<ul style="list-style-type: none"> <li>BRAKE LEVER SPRING 0/000.470.5011 (u. 1)</li> </ul>
24	<ul style="list-style-type: none"> <li>INNER BRAKE LEVER BUSHING 0/000.260.5001 (u. 1)</li> </ul>
25	<ul style="list-style-type: none"> <li>BRAKE LEVER MRT 2010 0/000.730.0731 (u. 1)</li> </ul>
26	<ul style="list-style-type: none"> <li>TORNILLO DIN 6921 M8x60 Cal.8.8 Z/BLANCO 0/000.460.0493 (u. 1)</li> </ul>
27	<ul style="list-style-type: none"> <li>SILENTBLOC ATTACHMENT NUT 0/000.340.0181 (u. 1)</li> </ul>
28	<ul style="list-style-type: none"> <li>ROLLER WASHER 0/000.440.0161 (u. 1)</li> </ul>
29	<ul style="list-style-type: none"> <li>CHAIN ROLLER INNER BUSHING 0/000.480.0645 (u. 1)</li> </ul>
30	<ul style="list-style-type: none"> <li>RUBBER ROLLER CHAIN GUIDE 0/000.360.0792 (u. 1)</li> </ul>
31	<ul style="list-style-type: none"> <li>CHAIN ROLLER ATTACHMENT BOLT 0/000.460.0673 (u. 1)</li> </ul>
32	<ul style="list-style-type: none"> <li>M8 NUT 0/000.340.0180 (u. 1)</li> </ul>
33	<ul style="list-style-type: none"> <li>SCREW DIN 6921 M6X35 0/000.460.0622 (u. 2)</li> </ul>
34	<ul style="list-style-type: none"> <li>PASSENGER FOOTREST (IRON) 0/000.740.0330 (u. 1)</li> </ul>
35	<ul style="list-style-type: none"> <li>PASSENGER FOOTREST NUT 0/000.340.0170 (u. 2)</li> </ul>
36	<ul style="list-style-type: none"> <li>DRIVE PLATE BOLT 0/000.460.0670 (u. 2)</li> </ul>
37	<ul style="list-style-type: none"> <li>QUICK NUT DIN 934 M6 0/000.340.5101 (u. 8)</li> </ul>
38	<ul style="list-style-type: none"> <li>SOPORTE ESTRIBERA RH MRT v.2 0/000.980.5125 (u. 1)</li> </ul>
45	<ul style="list-style-type: none"> <li>CHAIN SLIDER PLATE THREAD SCREW 0/000.460.0745 (u. 2)</li> </ul>
46	<ul style="list-style-type: none"> <li>PASSENGER LH FOOTREST SUPPORT 0/000.980.5108 (u. 1)</li> </ul>
47	<ul style="list-style-type: none"> <li>SHOCK ABSORBER BOLT NUT 0/000.340.0182 (u. 2)</li> </ul>
48	<ul style="list-style-type: none"> <li>RIGHT-HAND RIDER FOOTREST 0/000.740.0300 (u. 1)</li> </ul>

49	<ul style="list-style-type: none"> <li>INNER RIGHT-HAND RIDER FOOTREST BUSHING 0/000.480.0215 (u. 1)</li> </ul>
50	<ul style="list-style-type: none"> <li>RIDER FOOTREST SPRING 0/000.470.5001 (u. 1)</li> </ul>
51	<ul style="list-style-type: none"> <li>RIDER FOOTREST BOLT 0/000.460.5100 (u. 2)</li> </ul>
52	<ul style="list-style-type: none"> <li>SOPORTE FARO Y CTAKMS EVEREST MRT PRO 0/000.980.5035F (u. 1) - PARA CONTADORES FACOMSA</li> </ul>
53	<ul style="list-style-type: none"> <li>INDICATOR ATTACHMENT BOLT 0/000.460.1170 (u. 2)</li> </ul>
	<ul style="list-style-type: none"> <li>TORNILLO ISO 7380 Torx T-25 con arandela M5x16 INOX 0/000.460.0083 (u. 2)</li> </ul>
54	<ul style="list-style-type: none"> <li>SWING ARM SHAFT WASHER 0/000.440.0123 (u. 1)</li> </ul>
55	<ul style="list-style-type: none"> <li>SWING ARM AXLE TANGO 0/000.190.8001 (u. 1)</li> </ul>
56	<ul style="list-style-type: none"> <li>PADDOCK STAND SPECIAL BOLT 0/000.460.8000 (u. 1)</li> </ul>
57	<ul style="list-style-type: none"> <li>PASSENGER FOOTREST NUT 0/000.340.0170 (u. 2)</li> </ul>
58	<ul style="list-style-type: none"> <li>SOPORTE GUIA CADENA PRO Z/BLANCO 0/000.980.5067 (u. 1)</li> </ul>
59	<ul style="list-style-type: none"> <li>LOCK. WASHER 0/000.440.0131 (u. 2)</li> </ul>
60	<ul style="list-style-type: none"> <li>AUTOBLOC NUT M6/DIN 985/JS500 0/000.340.0169 (u. 2)</li> </ul>
61	<ul style="list-style-type: none"> <li>PLASTIC STOPPER 0/000.410.0361 (u. 1)</li> </ul>
62	<ul style="list-style-type: none"> <li>RIVET 0/000.330.0080 (u. 1)</li> </ul>
63	<ul style="list-style-type: none"> <li>DRIVE PLATE BOLT 0/000.460.0670 (u. 1)</li> </ul>
64	<ul style="list-style-type: none"> <li>M8 NUT 0/000.340.0180 (u. 1)</li> </ul>
65	<ul style="list-style-type: none"> <li>CASQUILLO Ø7x1,5x9,5 0/000.480.5064 (u. 2) - PARA CONTADORES FACOMSA</li> </ul>
66	<ul style="list-style-type: none"> <li>GOMA SOPORTE FARO 0/000.360.0491 (u. 2) - PARA CONTADORES FACOMSA</li> </ul>
67	<ul style="list-style-type: none"> <li>WASHER DIN 9021 M4 0/000.440.0021 (u. 2) - PARA CONTADORES FACOMSA</li> </ul>
68	<ul style="list-style-type: none"> <li>ARANDELA SCHNORR M4 INOX 0/000.440.0043 (u. 2) - PARA CONTADORES FACOMSA</li> </ul>
69	<ul style="list-style-type: none"> <li>SCREW DIN 912 Allen M4x16 Cal.8.8 Z/BLANCO 0/000.460.0204 (u. 2) - PARA CONTADORES FACOMSA</li> </ul>
70	<ul style="list-style-type: none"> <li>TORNILLO ISO 7380 Torx T-30 con arandela M6x50 INOX 0/000.460.0040 (u. 2)</li> </ul>
72	<ul style="list-style-type: none"> <li>FIXING BRAKE HOSE CLAMP 0/000.630.7005 (u. 1)</li> </ul>
73	<ul style="list-style-type: none"> <li>RIVET 0/000.330.0080 (u. 2)</li> </ul>
76	<ul style="list-style-type: none"> <li>NEEDLE ROLLER BEARING HK2220 0/000.960.0511 (u. 2)</li> </ul>
77	<ul style="list-style-type: none"> <li>TILTED SEPARATOR 0/000.260.5002 (u. 1)</li> </ul>
78	<ul style="list-style-type: none"> <li>SEAL BEARING 0/000.890.5004 (u. 2)</li> </ul>

**PLASTICS**

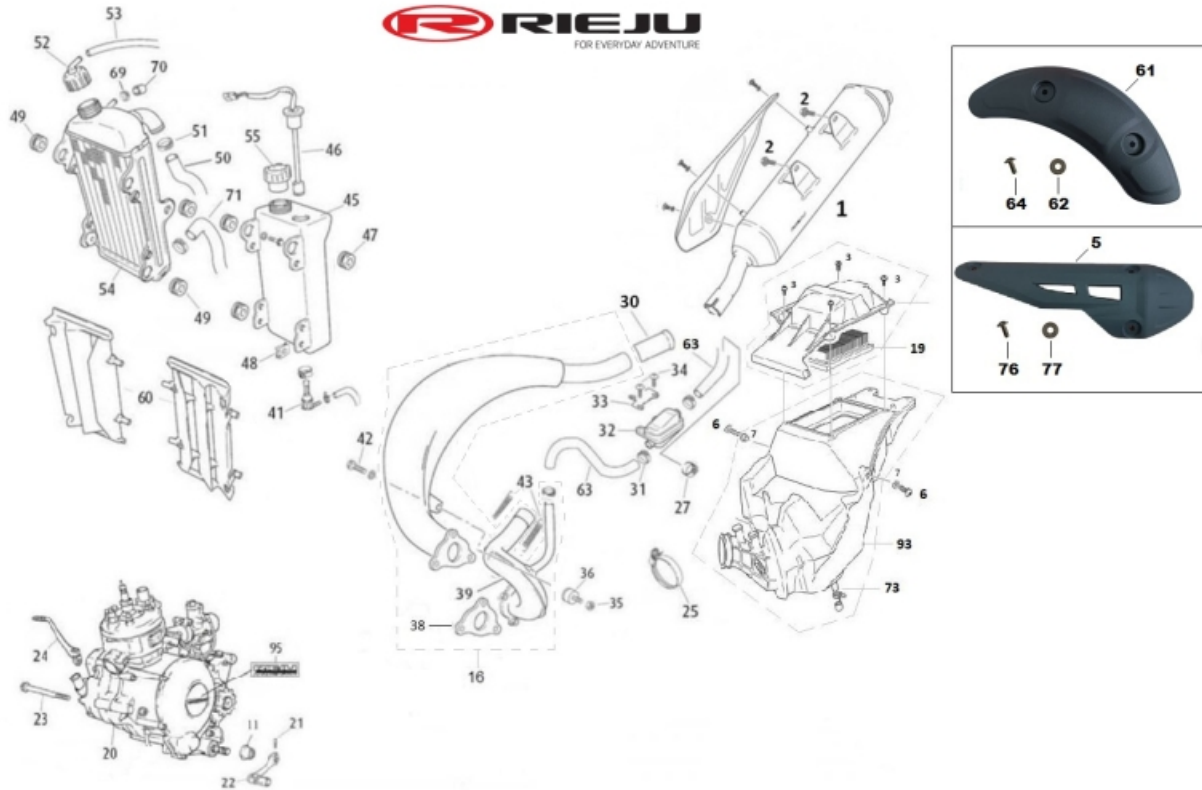


1	● SILLÍN COMPLETO MRT PRO NEGRO/VERDE/BLANCO 2024 0/000.040.5374 (u. 1)
2	● TAPA LATERAL IZQ BLANCO INY MRT CON CALCA 390.5371A 0/R00.570.5365 (u. 1)
3	● TAPA LATERAL DCHA BLANCO INY MRT CON CALCA 390.5371A 0/R00.570.5364 (u. 1)
4	● NYLON WASHER 0/000.440.5000 (u. 2)
6	● SCREW ISO 7380 Torx T-30 M6x16 0/000.460.0044 (u. 2)
8	● TAPA RADIADOR DCHA NEGRO INY MRT CON CALCA 390.5371A 0/R00.570.5362 (u. 1)
9	● TAPA RADIADOR IZQ NEGRO INY MRT CON CALCA 390.5371A 0/R00.570.5363 (u. 1)
10	● TORNILLO CELO RF82T 4x12 Torx Z/BLANCO 0/000.460.0053 (u. 1)
11	● OUTPUT PINION PROTECTOR COVER ATTACH. BOLT 0/000.460.0285 (u. 2)
12	● PORTAFAROS S/OPTICA NEGRO INY MRT CON CALCA 390.5371A 0/R00.620.5081 (u. 1)
13	● FRONT MUDGUARD SUPPORT PLATE 0/000.620.5302 (u. 1)
14	● GUARDABARROS DEL. NEGRO INY. MRT CON CALCA 390.5371A 0/R00.050.5069 (u. 1)
15	● SCREW DIN 6921 6X20 8,8 0/000.460.0610 (u. 4)
16	● SCREW CH88H 4,8x16 C ZINC PLATED 0/000.460.1168 (u. 2)
17	● KIT PROTECTOR PIÑÓN MOTOR AM 0/K00.220.0510 (u. 1)

18	<ul style="list-style-type: none"> <li>TORNILLO ISO 7380 Torx T-25 con arandela M5x16 INOX 0/000.460.0083 (u. 2)</li> </ul>
19	<ul style="list-style-type: none"> <li>CHAIN GUARD 0/000.200.0400 (u. 1)</li> </ul>
20	<ul style="list-style-type: none"> <li>SHOCK ABSORBER PROTECTOR PLASTIC 0/000.200.8000 (u. 1)</li> </ul>
21	<ul style="list-style-type: none"> <li>FRONT BRAKE LEVER FASTENING BOLT 0/000.460.0421 (u. 2)</li> </ul>
22	<ul style="list-style-type: none"> <li>GUARDABARROS TRASERO PORTA MATRICULAS MRT 2021 0/000.060.5301 (u. 1)</li> </ul>
23	<ul style="list-style-type: none"> <li>GUARDABARROS TRASERO BLANCO INY MRT CON CALCA 390.5374A 0/R00.060.5071 (u. 1)</li> </ul>
24	<ul style="list-style-type: none"> <li>HORN ATTACHMENT BOLT 0/000.460.0600 (u. 2)</li> </ul>
26	<ul style="list-style-type: none"> <li>TAILPIECE REAR MUDGUARD REFLECTOR 0/000.630.0551 (u. 1)</li> </ul>
27	<ul style="list-style-type: none"> <li>REAR REFLECTOR (ROUND) 0/000.630.0530 (u. 1)</li> </ul>
30	<ul style="list-style-type: none"> <li>PORTA MATRICULAS HOMOLOGADO MRT 2021 0/000.060.5302 (u. 1)</li> </ul>
31	<ul style="list-style-type: none"> <li>TORNILLO CELO RF87T 5x20 Torx Z/BLANCO 0/000.460.0096 (u. 4)</li> </ul>
32	<ul style="list-style-type: none"> <li>SCREW 5X12 0/000.460.0090 (u. 2)</li> </ul>
33	<ul style="list-style-type: none"> <li>SIDE PLATE WASHER 0/000.480.0712 (u. 1)</li> </ul>
34	<ul style="list-style-type: none"> <li>SCREW ISO 7380 Torx T-40 M8x25 INOX 0/000.460.0081 (u. 1)</li> </ul>
35	<ul style="list-style-type: none"> <li>TORNILLO CELO RF82T 4x12 Torx Z/BLANCO 0/000.460.0053 (u. 4)</li> </ul>
38	<ul style="list-style-type: none"> <li>GROMMET 0/000.360.4002 (u. 2)</li> </ul>
39	<ul style="list-style-type: none"> <li>SCREW ISO 7380 Torx T-40 M8x25 INOX 0/000.460.0081 (u. 1)</li> </ul>
40	<ul style="list-style-type: none"> <li>SIDE PLATE WASHER 0/000.480.0712 (u. 1)</li> </ul>
43	<ul style="list-style-type: none"> <li>PROTECTIVE PUMP BACK BRAKE 0/000.220.5100 (u. 1)</li> </ul>
46	<ul style="list-style-type: none"> <li>QUICK NUT DIN 934 M6 0/000.340.5101 (u. 2)</li> </ul>



**EXHAUST - RADIATOR**



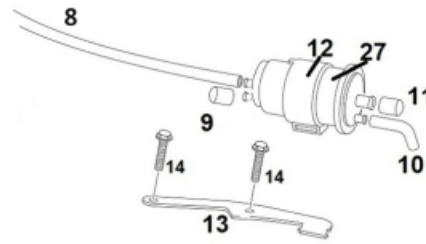
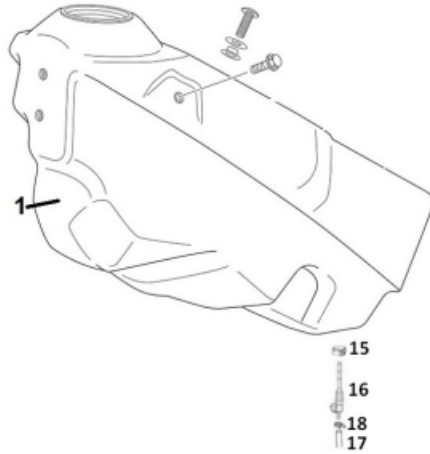
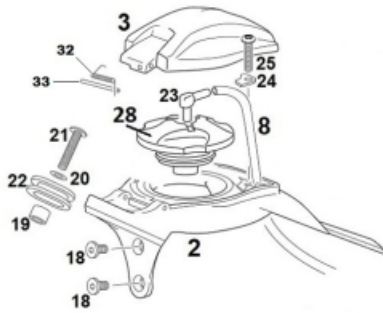
1	<ul style="list-style-type: none"> <li>PETACA MRT 50 E5 V2 ALUM C/PROTECTOR 2022 0/000.870.5061 (u. 1)</li> </ul>
2	<ul style="list-style-type: none"> <li>SCREW ISO 7380 Torx T-30 M6x16 0/000.460.0044 (u. 2)</li> </ul>
3	<ul style="list-style-type: none"> <li>SIDE PLATE ATTACHMENT BOLT 0/000.460.3036 (u. 4)</li> </ul>
4	<ul style="list-style-type: none"> <li>TAPA CAJA FILTRO MRT v.2 0/000.350.5014 (u. 1)</li> </ul>
5	<ul style="list-style-type: none"> <li>PROTECTOR SILENCIADOR 2022 + TORNILLOS 0/000.220.5023 (u. 1)</li> </ul>
7	<ul style="list-style-type: none"> <li>NYLON WASHER 0/000.440.5000 (u. 2)</li> </ul>
11	<ul style="list-style-type: none"> <li>PROTECTOR 0/000.220.1000 (u. 1)</li> </ul>
16	<ul style="list-style-type: none"> <li>TUBO ESCAPE MRT50 E5 INOX SIN PROTECTOR 2022 0/000.290.5112 (u. 1)</li> <li>KIT ESCAPE MRT 50 INOX + PROTECTOR Y TORNILLERIA 0/K00.290.5112 (u. 1)</li> </ul>
19	<ul style="list-style-type: none"> <li>FILTRO ESPUMA MRT EURO5 0/001.070.5001 (u. 1)</li> </ul>
21	<ul style="list-style-type: none"> <li>METRIC SCREW 6 x 22 0/000.460.0310 (u. 1)</li> </ul>
22	<ul style="list-style-type: none"> <li>GEAR PEDAL 0/005.430.0032 (u. 1)</li> </ul>
23	<ul style="list-style-type: none"> <li>SCREW KIT ENGINE MRT 50 0/K00.460.0000 (u. 1)</li> </ul>
24	<ul style="list-style-type: none"> <li>KICK START PEDAL 0/005.430.5004 (u. 1)</li> </ul>
25	<ul style="list-style-type: none"> <li>FILTER BOX RUBBER CLAMP 0/000.680.7002 (u. 1)</li> </ul>



27	<ul style="list-style-type: none"> <li>HOSE CLAMP 0/000.680.8000 (u. 2)</li> </ul>
30	<ul style="list-style-type: none"> <li>RUBBER UNION EXHAUST EURO4 0/000.360.5018 (u. 1)</li> </ul>
31	<ul style="list-style-type: none"> <li>HOSE CLAMP 0/000.680.0534 (u. 2)</li> </ul>
32	<ul style="list-style-type: none"> <li>AIS VALVE IN/OUT BI-DIRECTIONAL 0/000.640.0002 (u. 1)</li> </ul>
33	<ul style="list-style-type: none"> <li>AIS VALVE HOLDER 0/000.980.5105 (u. 1)</li> </ul>
34	<ul style="list-style-type: none"> <li>SCREW DIN 7985 Phillips M6x10 Cal.4.8 ZINC PLATED 0/000.460.1704 (u. 2)</li> </ul>
35	<ul style="list-style-type: none"> <li>SILENTBLOC ATTACHMENT NUT 0/000.340.0181 (u. 1)</li> </ul>
36	<ul style="list-style-type: none"> <li>RUBBER 0/000.360.8102 (u. 1)</li> </ul>
38	<ul style="list-style-type: none"> <li>EXHAUST GASKET MRT EUR 4 0/000.490.0008 (u. 1)</li> </ul>
39	<ul style="list-style-type: none"> <li>TUBO CODO ESCAPE EURO5 C/CAT C/V.AIS 0/000.290.5097 (u. 1)</li> </ul>
41	<ul style="list-style-type: none"> <li>OIL TANK COCK 0/000.370.0440 (u. 1)</li> </ul>
42	<ul style="list-style-type: none"> <li>SCREW DIN 6921 M8x12 Cal.8.8 Z/WHITE 0/000.460.0640 (u. 1)</li> </ul>
43	<ul style="list-style-type: none"> <li>EXHAUST SPRING 0/005.460.1070 (u. 2)</li> </ul>
45	<ul style="list-style-type: none"> <li>OIL TANK 0/000.030.5004 (u. 1)</li> </ul>
46	<ul style="list-style-type: none"> <li>OIL LEVEL SENSOR 0/000.410.5001 (u. 1)</li> </ul>
47	<ul style="list-style-type: none"> <li>OIL TANK SILENTBLOC 0/000.360.5013 (u. 4)</li> </ul>
48	<ul style="list-style-type: none"> <li>QUICK NUT DIN 934 M6 0/000.340.5101 (u. 2)</li> </ul>
49	<ul style="list-style-type: none"> <li>OIL TANK SILENTBLOC 0/000.360.5013 (u. 4)</li> </ul>
50	<ul style="list-style-type: none"> <li>COOLING PIPE FROM CYLINDER HEAD TO RADIATOR 0/000.640.5033 (u. 1)</li> </ul>
51	<ul style="list-style-type: none"> <li>RADIATOR HOSE CLAMPS 0/000.680.0550 (u. 2)</li> </ul>
52	<ul style="list-style-type: none"> <li>RADIATOR CAP 0/000.410.5102 (u. 1)</li> </ul>
53	<ul style="list-style-type: none"> <li>RADIATOR WATER RELIEF PIPE 0/000.290.0630 (u. 1)</li> </ul>
54	<ul style="list-style-type: none"> <li>RADIADOR MRT 50 EURO4 V.2 0/000.580.5106 (u. 1)</li> </ul>
55	<ul style="list-style-type: none"> <li>OIL TANK CAP 0/000.410.0600 (u. 1)</li> </ul>
60	<ul style="list-style-type: none"> <li>RAD PROTECTOR/GRILL MRT 0/000.220.0591 (u. 1)</li> </ul>
61	<ul style="list-style-type: none"> <li>PROTECTOR ESCAPE MRT 2022 + TORNILLOS 0/000.220.5022 (u. 1)</li> </ul>
62	<ul style="list-style-type: none"> <li>THERMAL GASKET D6XD17X3MM 0/000.360.2007 (u. 2)</li> </ul>
63	<ul style="list-style-type: none"> <li>PIPE VALVE 0/000.640.5021 (u. 1)</li> </ul>

64	<ul style="list-style-type: none"><li>• SCREW ISO-7380+AR ZINC M6X16 0/000.460.2023 (u. 2)</li></ul>
69	<ul style="list-style-type: none"><li>• CLAMP COBRA 11/7 W4 0/000.680.0527 (u. 1)</li></ul>
70	<ul style="list-style-type: none"><li>• CAP ELBOW MRT RADIATOR 0/000.410.0363 (u. 1)</li></ul>
71	<ul style="list-style-type: none"><li>• COOLING PIPE FROM WATER PUMP TO RADIATOR 0/000.640.5032 (u. 1)</li></ul>
73	<ul style="list-style-type: none"><li>• TAPON SOBRANTE CAJA FILTRO TANGO 125i v2 0/000.410.8016 (u. 1)</li></ul>
76	<ul style="list-style-type: none"><li>• SCREW M6X20 0/000.460.3031 (u. 3)</li></ul>
77	<ul style="list-style-type: none"><li>• THERMAL GASKET D6XD17X3MM 0/000.360.2007 (u. 6)</li></ul>
93	<ul style="list-style-type: none"><li>• CAJA FILTRO COMPLETA MRT 50 E5 0/000.910.5301 (u. 1)</li></ul>
95	<ul style="list-style-type: none"><li>• DECAL ENGINE COVER RIEJU 2015 0/000.390.5148 (u. 1)</li></ul>

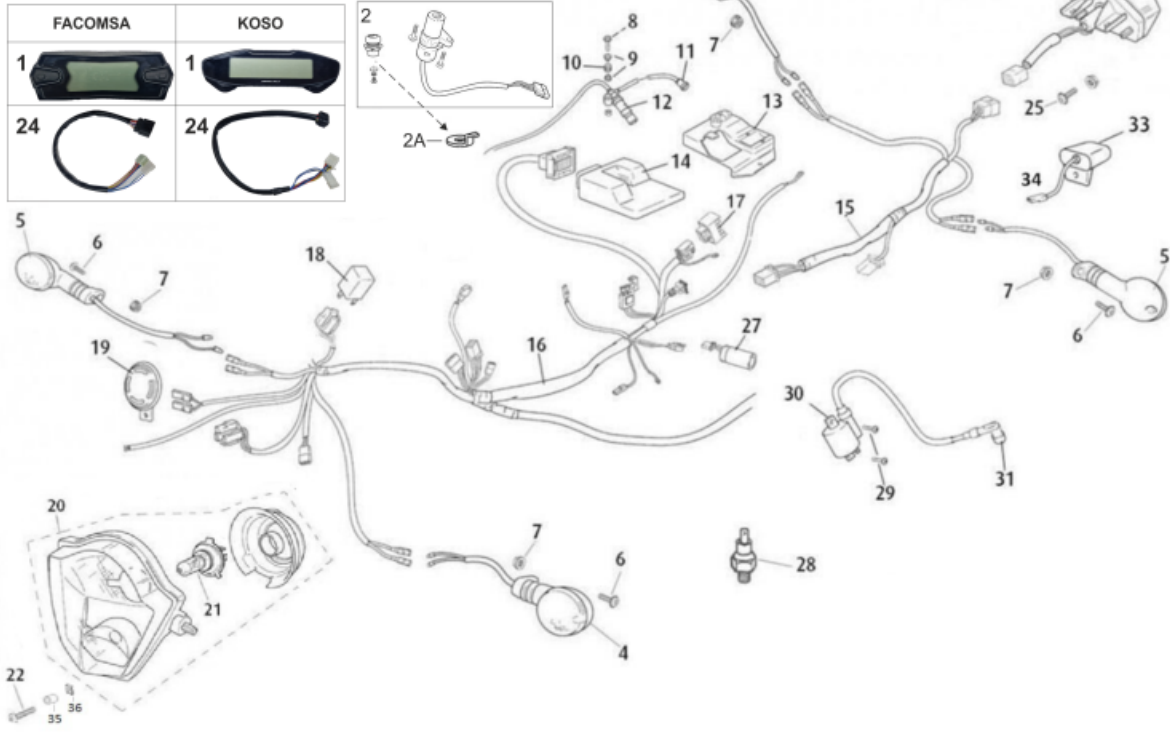
**TANK - CANISTER**



1	<ul style="list-style-type: none"> <li>● DEPOSITO GASOLINA MRT 2021 0/000.030.5006 (u. 1)</li> </ul>
2	<ul style="list-style-type: none"> <li>● CUBRE DEPOSITO GASOLINA MRT 2021 0/000.570.5409 (u. 1)</li> </ul>
3	<ul style="list-style-type: none"> <li>● TAPON CUBRE DEPOSITO GASOLINA MRT 2021 0/000.410.5005 (u. 1)</li> </ul>
8	<ul style="list-style-type: none"> <li>● TUBO NBR Ø5,5xØ9,5-Ø8xØ4 x 950 0/000.290.5107 (u. 1)</li> </ul>
9	<ul style="list-style-type: none"> <li>● TAPON SOBRANTE CAJA FILTRO TANGO 125i v2 0/000.410.8016 (u. 1)</li> </ul>
10	<ul style="list-style-type: none"> <li>● TUBO L DRAIN CANISTER MRT v.2 0/000.290.5093 (u. 1)</li> </ul>
11	<ul style="list-style-type: none"> <li>● TAPON AIR CANISTER MRT v.2 0/000.410.5006 (u. 1)</li> </ul>
12	<ul style="list-style-type: none"> <li>● RUBBER SUPPORT CANISTER CENTURY V.2 0/000.360.4018 (u. 1)</li> </ul>
15	<ul style="list-style-type: none"> <li>● FUEL COCK CLAMP 0/000.680.0520 (u. 1)</li> </ul>
16	<ul style="list-style-type: none"> <li>● FUEL TAP DRAC R.R. 0/000.370.0500 (u. 1)</li> </ul>
18	<ul style="list-style-type: none"> <li>● FUEL PIPE ELASTIC CLAMP 0/000.680.0510 (u. 1)</li> </ul>
19	<ul style="list-style-type: none"> <li>● SPACER Ø12x2,75x16,50 0/000.480.5062 (u. 1)</li> </ul>
21	<ul style="list-style-type: none"> <li>● TORNILLO ISO 7380 Torx T-30 con arandela M6x35 INOX 0/000.460.0091 (u. 1)</li> </ul>
22	<ul style="list-style-type: none"> <li>● TANK TO CHASSIS SUPPORT PAD 0/000.360.5012 (u. 1)</li> </ul>
23	<ul style="list-style-type: none"> <li>● RACOR CONECTOR "L" TAPON GASOLINA 0/000.630.5004 (u. 1)</li> </ul>

24	<ul style="list-style-type: none"><li>● CHAPA TOPE CIERRE TAPON GASOLINA MRT v.2 0/000.220.5020 (u. 1)</li></ul>
27	<ul style="list-style-type: none"><li>● CANISTER CENTURY V.2 0/000.640.4014 (u. 1)</li></ul>
28	<ul style="list-style-type: none"><li>● FUEL TANK CAP 0/000.410.5300 (u. 1)</li></ul>
32	<ul style="list-style-type: none"><li>● MUELLE TAPON DEPOSITO MRT E5 0/000.470.5012 (u. 1)</li></ul>
33	<ul style="list-style-type: none"><li>● PIN DIN 7 Ø3x45 INOX 0/000.840.5000 (u. 1)</li></ul>

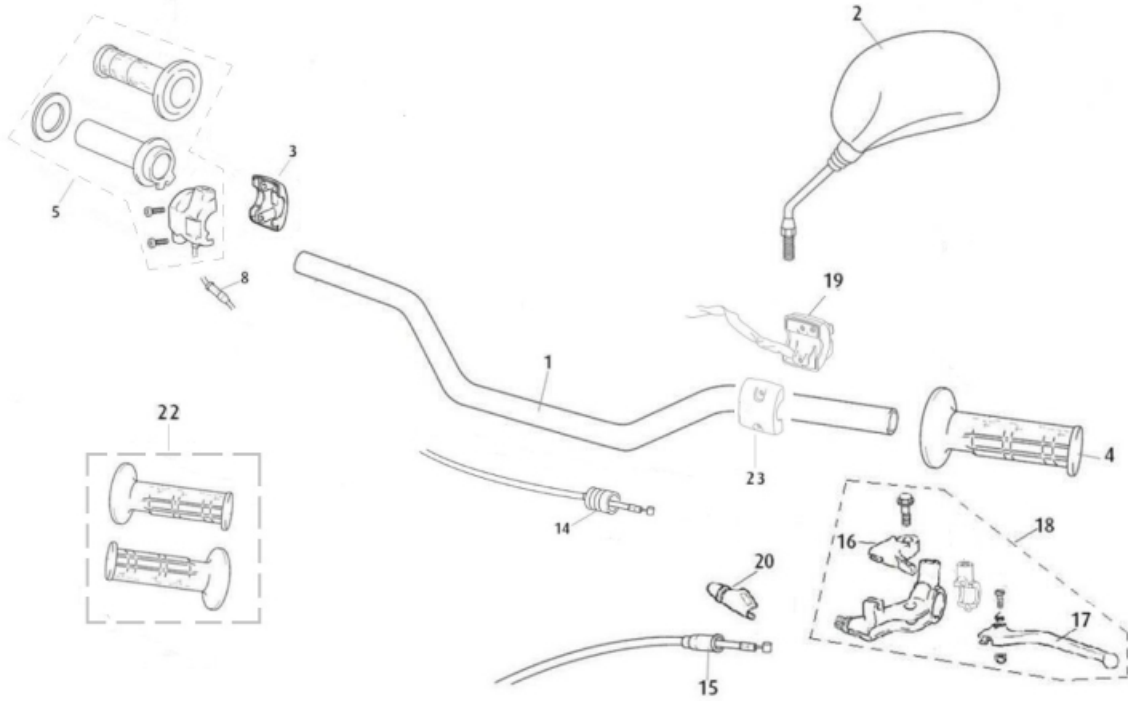
**ELECTRICAL SYSTEM**



1	<ul style="list-style-type: none"> <li>CTA. KMS. COMP FACOMSA MRT v.2 E5 0/001.000.2114 (u. 1)</li> <li>KOSO SPEEDOMETER EX03 EURO5 WITHOU SENSOR 0/001.000.2110 (u. 1)</li> </ul>
2	<ul style="list-style-type: none"> <li>KEY SET MRT v.2 2021 0/001.060.5000 (u. 1) - AÑADIR 0/000.220.5019</li> </ul>
2A	<ul style="list-style-type: none"> <li>CHAPA BLOQUEO CIERRE TAPON GASOLINA MRT v.2 0/000.220.5019 (u. 1)</li> </ul>
4	<ul style="list-style-type: none"> <li>LEFT HAND INDICATOR OVAL 0/000.150.2200 (u. 1)</li> </ul>
5	<ul style="list-style-type: none"> <li>RIGHT HAND INDICATOR OVAL 0/000.150.2100 (u. 1)</li> </ul>
6	<ul style="list-style-type: none"> <li>INDICATOR ATTACHMENT BOLT 0/000.460.1170 (u. 4)</li> <li>TORNILLO ISO 7380 Torx T-25 con arandela M5x16 INOX 0/000.460.0083 (u. 4)</li> </ul>
7	<ul style="list-style-type: none"> <li>INDICATOR ATTACHMENT NUT 0/000.340.0172 (u. 4)</li> </ul>
8	<ul style="list-style-type: none"> <li>SCREW DIN 6921 M6X35 0/000.460.0622 (u. 1)</li> </ul>
9	<ul style="list-style-type: none"> <li>SIDE PLATE WASHER 0/000.480.0712 (u. 1)</li> </ul>
10	<ul style="list-style-type: none"> <li>SILEMBLOCK RUBBER COVER 0/000.360.0490 (u. 1)</li> </ul>
11	<ul style="list-style-type: none"> <li>SOLENOIDE SPACER POWER UP ENGINE 0/005.310.2433 (u. 1)</li> </ul>
12	<ul style="list-style-type: none"> <li>SOLENOIDE VALVE POWER UP ENGINE 0/005.707.0010 (u. 1)</li> </ul>

13	<ul style="list-style-type: none"> <li>MRT 2010 CDI SUPPORT 0/000.980.5109 (u. 1)</li> </ul>
14	<ul style="list-style-type: none"> <li>ECU MRT 50 EURO5 0/005.705.5000 (u. 1)</li> </ul>
15	<ul style="list-style-type: none"> <li>INSTALACION COLIN MRT EURO5 C 0/000.160.5043 (u. 1)</li> </ul>
16	<ul style="list-style-type: none"> <li>MAIN WIRE HARNES MRT EURO5 v.1 0/000.160.5037 (u. 1)</li> </ul>
17	<ul style="list-style-type: none"> <li>CURRENT REGULATOR 0/005.070.6604 (u. 1)</li> </ul>
18	<ul style="list-style-type: none"> <li>FLASHER UNIT 0/001.200.5032 (u. 1)</li> </ul>
19	<ul style="list-style-type: none"> <li>SOPORTE CLAXON MRT v.2 0/000.980.5124 (u. 1)</li> </ul>
	<ul style="list-style-type: none"> <li>HORN CLASS II TYPE DL128J - 12V 0/000.420.5011 (u. 1)</li> </ul>
20	<ul style="list-style-type: none"> <li>COMPLETE HEAD LAMP BEAM UNIT 0/000.600.0260 (u. 1)</li> </ul>
21	<ul style="list-style-type: none"> <li>LAMP H4 35/35 12V. 0/000.850.9000 (u. 1)</li> </ul>
22	<ul style="list-style-type: none"> <li>HEADLAMP BEAM UNIT BUSHING BOLT 0/000.460.0786 (u. 1)</li> </ul>
23	<ul style="list-style-type: none"> <li>LUZ PILOTO TRASERO LED V.2 0/000.150.9106 (u. 1)</li> </ul>
24	<ul style="list-style-type: none"> <li>SUPLEMENTO INSTALACION MARCADOR MR MRT 50 0/000.160.5047 (u. 1) - <i>FOR FACOMSA SPEEDOMETER</i></li> </ul>
	<ul style="list-style-type: none"> <li>SUPPLEMENT WIRE HARNESS KOSO SPEEDOMETER EURO 5 0/000.160.5036 (u. 1)</li> </ul>
27	<ul style="list-style-type: none"> <li>CONDENSER 0/001.200.5034 (u. 1)</li> </ul>
28	<ul style="list-style-type: none"> <li>TEMPERATURE SENSOR POWER UP ENGINE 0/005.560.1991 (u. 1)</li> </ul>
29	<ul style="list-style-type: none"> <li>TORNILLO ISO 7380 Torx T-25 con arandela M5x16 INOX 0/000.460.0083 (u. 2)</li> </ul>
	<ul style="list-style-type: none"> <li>INDICATOR ATTACHMENT BOLT 0/000.460.1170 (u. 2)</li> </ul>
30	<ul style="list-style-type: none"> <li>OUTER COIL 0/005.702.1500 (u. 1)</li> </ul>
31	<ul style="list-style-type: none"> <li>SPARK PLUG CAP 0/005.110.2022 (u. 1)</li> </ul>
33	<ul style="list-style-type: none"> <li>PILOT BACK LIGHT LED 2018 0/000.150.6001 (u. 1)</li> </ul>
34	<ul style="list-style-type: none"> <li>SUPLEMENTO INSTALACION LUZ MATRICULA MRT E5 v.2 0/000.160.5041 (u. 1)</li> </ul>
35	<ul style="list-style-type: none"> <li>TUBO EPDM Ø6 x Ø9 x 15 0/000.290.0663 (u. 1)</li> </ul>
36	<ul style="list-style-type: none"> <li>QUICK NUT M5 0/000.340.5100 (u. 1)</li> </ul>

**HANDLEBAR**



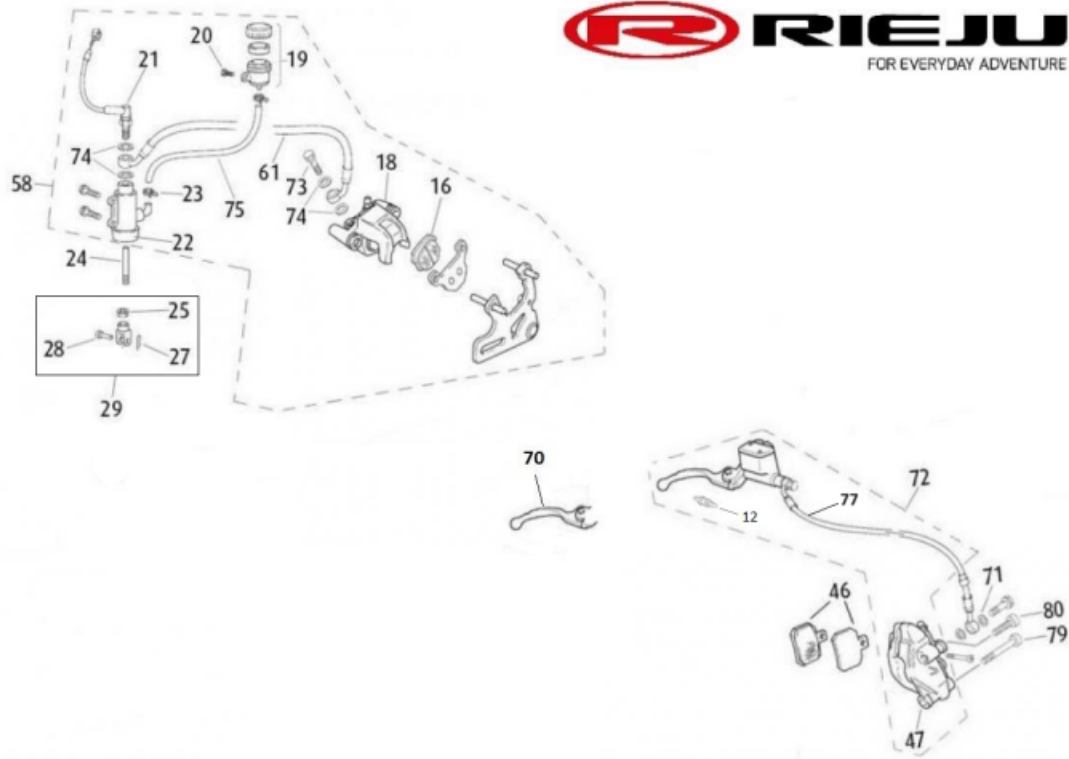
1	<ul style="list-style-type: none"> <li>MANILLAR ALUMINIO Ø22 ANODIZADO PLATA (CON LOGO) 0/000.170.0557 (u. 1)</li> </ul>
2	<ul style="list-style-type: none"> <li>L/H MIRROR TANGO 0/000.990.8001 (u. 1)</li> </ul>
3	<ul style="list-style-type: none"> <li>RIGHT-HAND COMMUTATOR SINGLE COVER 0/000.350.5001 (u. 1) - PARA PUÑOS DE GAS DOMINO</li> </ul>
4	<ul style="list-style-type: none"> <li>PUÑO GOMA EMBRAGUE Ø22 DOMINO 0/000.530.5004 (u. 1)</li> </ul>
5	<ul style="list-style-type: none"> <li>COMPLETE THROTTLE TWIST GRIP W/RUBBER 0/000.530.5000 (u. 1)</li> </ul>
8	<ul style="list-style-type: none"> <li>FUEL CABLE 0/000.550.5005 (u. 1)</li> </ul>
14	<ul style="list-style-type: none"> <li>STARTER WIRE MRT 50 EURO4 0/000.550.5014 (u. 1)</li> </ul>
15	<ul style="list-style-type: none"> <li>CLUTCH CABLE MRT 50 EURO 4 0/000.550.5015 (u. 1)</li> </ul>
16	<ul style="list-style-type: none"> <li>SINGLE STARTER LEVER 0/000.830.8302 (u. 1)</li> </ul>
17	<ul style="list-style-type: none"> <li>Clutch Lever Only Tango 250 0/000.830.8301 (u. 1)</li> </ul>
18	<ul style="list-style-type: none"> <li>FULL CLUTCH LEVER 0/000.830.8300 (u. 1)</li> </ul>
19	<ul style="list-style-type: none"> <li>LIGHTS COMMUTATOR 0/000.720.5000 (u. 1)</li> </ul>
20	<ul style="list-style-type: none"> <li>CLUTCH LEVER PROTECTOR 0/000.220.8300 (u. 1)</li> </ul>
22	<ul style="list-style-type: none"> <li>HANDLEBAR GRIPS 0/000.530.5010 (u. 1)</li> </ul>



23

- CONMUTADOR SINGLE COVER  
0/000.350.8300 (u. 1)

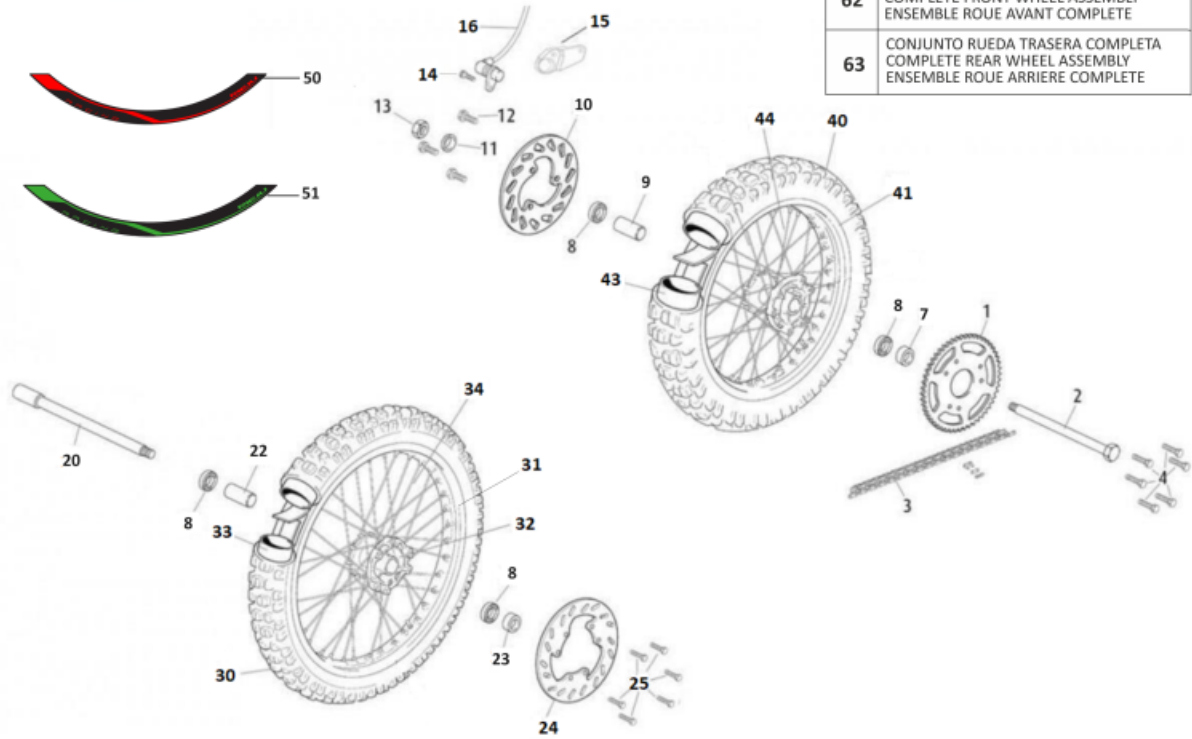
**BRAKES**



12	<ul style="list-style-type: none"> <li>● STOP SWITCH 0/000.720.0070 (u. 1)</li> </ul>
16	<ul style="list-style-type: none"> <li>● REAR DISC BRAKE PAD SET 0/000.930.0090 (u. 1)</li> </ul>
18	<ul style="list-style-type: none"> <li>● REAR BRAKE CALIPER W/ HOLDER 0/000.860.5112 (u. 1)</li> </ul>
19	<ul style="list-style-type: none"> <li>● BRAKE FLUID TANK 0/000.030.0170 (u. 1)</li> </ul>
20	<ul style="list-style-type: none"> <li>● HORN ATTACHMENT BOLT 0/000.460.0600 (u. 1)</li> </ul>
21	<ul style="list-style-type: none"> <li>● STOP SWITCH REAR 2009 0/000.720.0075 (u. 1)</li> </ul>
22	<ul style="list-style-type: none"> <li>● SINGLE REAR BRAKE PUMP 0/000.820.0310 (u. 1)</li> </ul>
23	<ul style="list-style-type: none"> <li>● BRAKE PUMP HOSE CLAMP 0/000.680.0500 (u. 1)</li> </ul>
24	<ul style="list-style-type: none"> <li>● BRAKE PUMP PUSHROD 0/000.240.5001 (u. 1)</li> </ul>
25	<ul style="list-style-type: none"> <li>● BRAKE PUMP PUSHROD NUT 0/000.340.0130 (u. 1)</li> </ul>
27	<ul style="list-style-type: none"> <li>● SECURING PIN 0/000.840.0060 (u. 1)</li> </ul>
28	<ul style="list-style-type: none"> <li>● BRAKE LEVER PIN 0/000.840.0090 (u. 1)</li> </ul>
29	<ul style="list-style-type: none"> <li>● BRAKE LEVER FORK 0/000.130.0150 (u. 1)</li> <li>● HORQUILLA FRENO/CAMBIO COMPLETA 0/000.130.0151 (u. 1)</li> </ul>

**OBSOLETE**

46	● FRONT BRAKE PAD SET 0/000.930.8000 (u. 1)	
47	● single front bracket caliper 0/000.860.8000 (u. 1)	OBSOLETE
58	● FULL REAR BRAKE ASSEMBLY 0/000.820.0765 (u. 1)	
61	● TUBE 0/000.290.0263 (u. 1)	
70	● BRAKE LEVER ONLY 0/000.830.1011 (u. 1)	
71	● JOINT WASHER BRAKE PUMP 0/000.440.1040 (u. 1)	
72	● FULL FRONT BRAKE ASSEMBLY 0/000.820.0715 (u. 1)	
73	● BRAKE ROD SCREW 0/000.460.1300 (u. 1)	
74	● JOINT WASHER BRAKE PUMP 0/000.440.1040 (u. 4)	
75	● PIPE EPDM 325 0/000.290.0265 (u. 1)	
77	● FRONT BRAKE HOSE 0/000.290.0259 (u. 1)	
79	● SCREW DIN 912 M10X60 0/000.460.0403 (u. 1)	
80	● SCREW DIN 912 Allen M10x40 Cal.8.8 ZINC PLATED 0/000.460.0400 (u. 1)	

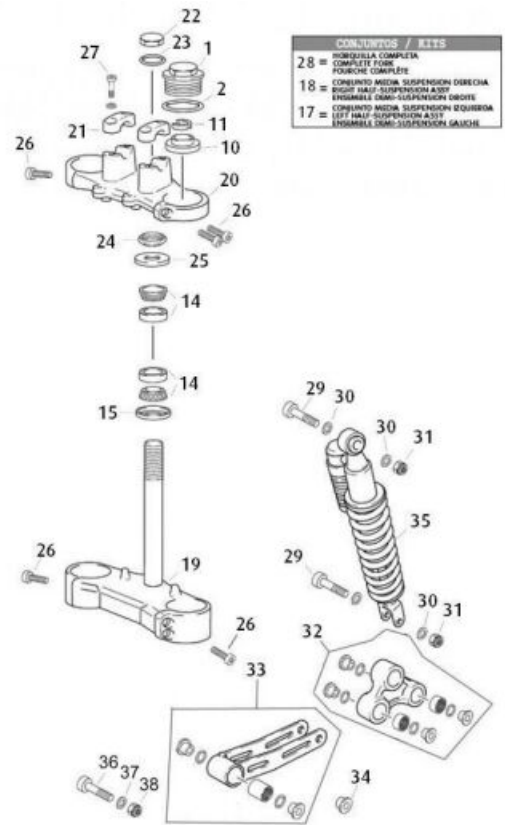
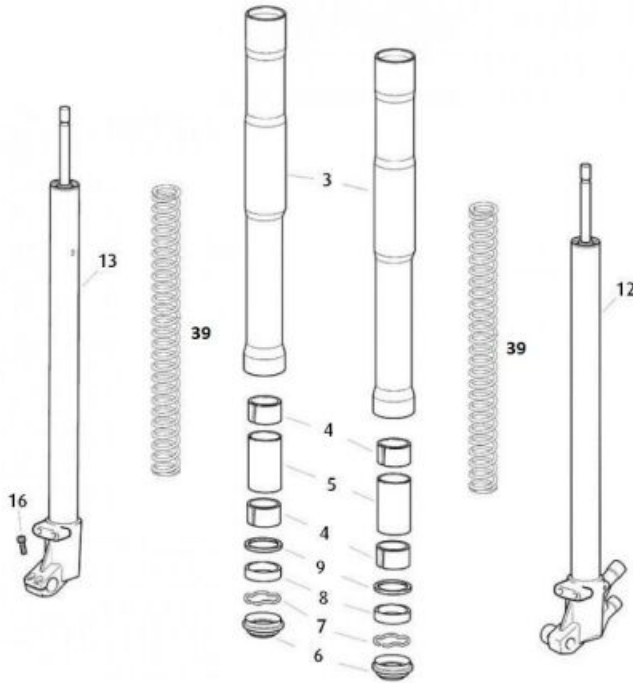
**ENDURO WHEELS**


CONJUNTOS / KITS	
62	CONJUNTO RUEDA DELANTERA COMPLETA COMPLETE FRONT WHEEL ASSEMBLY ENSEMBLE ROUE AVANT COMPLETE
63	CONJUNTO RUEDA TRASERA COMPLETA COMPLETE REAR WHEEL ASSEMBLY ENSEMBLE ROUE ARRIERE COMPLETE

1	<ul style="list-style-type: none"> <li>DURALUMINIUM REAR SPROCKET GOLD z62 420 1/2"x1/4 r 0/000.500.5110 (u. 1)</li> </ul>
2	<ul style="list-style-type: none"> <li>REAR WHEEL SHAFT 0/000.190.5303 (u. 1)</li> </ul>
3	<ul style="list-style-type: none"> <li>CHAIN 0/001.050.0230 (u. 1)</li> </ul>
4	<ul style="list-style-type: none"> <li>DRIVE PLATE BOLT 0/000.460.0670 (u. 6)</li> </ul>
7	<ul style="list-style-type: none"> <li>WHEEL SEPARATOR 0/000.480.8000 (u. 1)</li> </ul>
8	<ul style="list-style-type: none"> <li>FRONT WHEEL BEARING 0/000.960.0050 (u. 2)</li> </ul>
9	<ul style="list-style-type: none"> <li>INTERNAL SEPARATOR 0/000.480.5040 (u. 1)</li> </ul>
10	<ul style="list-style-type: none"> <li>REAR BRAKE DISK WAVE Ø200 2016 0/001.090.0266 (u. 1)</li> </ul>
11	<ul style="list-style-type: none"> <li>SWING ARM SHAFT WASHER 0/000.440.0123 (u. 1)</li> </ul>
12	<ul style="list-style-type: none"> <li>SCREW DIN 933 M8x25 Cal.8.8 ZINC PLATED 0/000.460.0723 (u. 3)</li> </ul>
13	<ul style="list-style-type: none"> <li>SWING ARM SHAFT NUT 0/000.340.0186 (u. 1)</li> </ul>
14	<ul style="list-style-type: none"> <li>SCREW M6X20 0/000.460.3031 (u. 1)</li> </ul>
15	<ul style="list-style-type: none"> <li>MRT PRO EURO4 SENSOR BRACKET 0/000.980.5060 (u. 1)</li> </ul>
16	<ul style="list-style-type: none"> <li>SA-01 SPEED SENSOR WITOUT O-RING 0/001.010.2102 (u. 1)</li> </ul>

20	<ul style="list-style-type: none"> <li>MRT PRO SHFT KIT 2013 0/K00.190.0000 (u. 1)</li> </ul>
22	<ul style="list-style-type: none"> <li>SPACER Ø22x3.25x66.5 0/000.480.5039 (u. 1)</li> </ul>
23	<ul style="list-style-type: none"> <li>FRONT WHEEL SEPARATOR 0/000.480.5032 (u. 1)</li> </ul>
24	<ul style="list-style-type: none"> <li>FRONT BRAKE DISC D.300 0/K01.090.0003 (u. 1)</li> </ul>
25	<ul style="list-style-type: none"> <li>SCREW DIN 6921 6X16 8,8 0/000.460.5001 (u. 6)</li> </ul>
30	<ul style="list-style-type: none"> <li>MOTORCYCLE TYRE 80/90-21 48P TT MC23 ROCKRIDER MI 0/000.510.0502 (u. 1)</li> </ul>
31	<ul style="list-style-type: none"> <li>SINGLE FRONT WHEEL RIM 0/000.230.0803 (u. 1)</li> </ul>
32	<ul style="list-style-type: none"> <li>SINGLE FRONT WHEEL SPOOL 0/000.070.0120 (u. 1)</li> </ul>
33	<ul style="list-style-type: none"> <li>MOTORCYCLE TUBE 80/90//90-21 TR6 PG MI 0/000.520.0502 (u. 1)</li> </ul>
34	<ul style="list-style-type: none"> <li>KIT RADIOS DEL 252X3.06 (M3,5) CON CABECILLA 0/K00.540.5005 (u. 36)</li> </ul>
	<ul style="list-style-type: none"> <li>SPOKE 252 x 3,06 (M3,5) 0/000.540.5005 (u. 36)</li> </ul>
40	<ul style="list-style-type: none"> <li>MOTORCYCLE TYRE 110/80-18 58P TT MC23 ROCKRIDER MI 0/000.510.0512 (u. 1)</li> </ul>
41	<ul style="list-style-type: none"> <li>SINGLE REAR WHEEL RIM (without spokes) 0/000.230.0853 (u. 1)</li> </ul>
43	<ul style="list-style-type: none"> <li>MOTORCYCLE TUBE 110/120//80-18 TR6 PG MI 0/000.520.0512 (u. 1)</li> </ul>
44	<ul style="list-style-type: none"> <li>SPOKES SET 0/K00.540.0000 (u. 18)</li> </ul>
50	<ul style="list-style-type: none"> <li>CALCA LLANTA MRT ENDURO ROJA 2024 0/000.390.5376B (u. 4)</li> </ul>
51	<ul style="list-style-type: none"> <li>CALCA LLANTA MRT ENDURO VERDE 2024 0/000.390.5376A (u. 4)</li> </ul>
62	<ul style="list-style-type: none"> <li>COMPLETE FRONT WHEEL ASSEMBLY W/O RUBBER 0/000.110.5440 (u. 1)</li> </ul>
63	<ul style="list-style-type: none"> <li>COMPLETE REAR WHEEL ASSEMBLY W/O RUBBER 0/000.120.5440 (u. 1)</li> </ul>

**SUSPENSION**

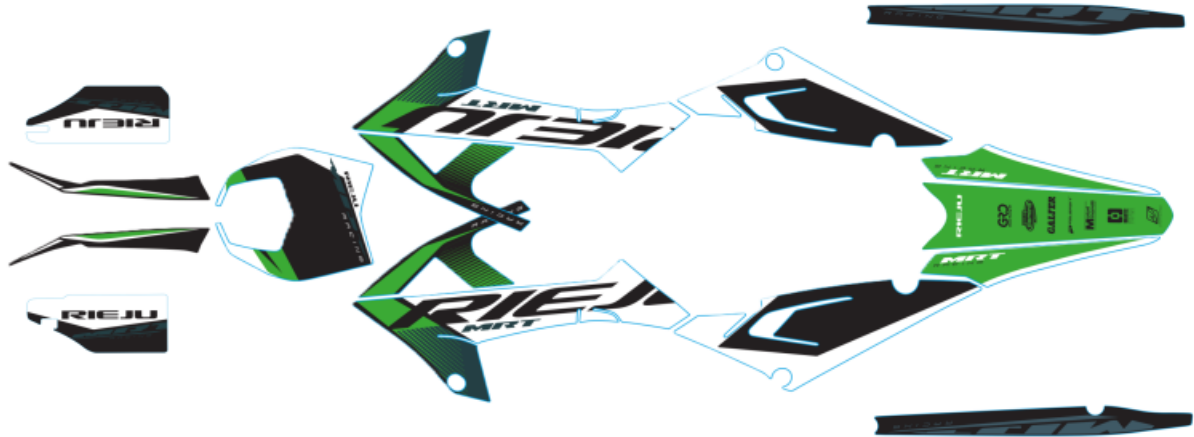


1	● CAP NUT 0/000.410.5205 (u. 2)
2	● O RING 0/000.490.5101 (u. 2)
3	● OUTER TUBE GOLD ANODIZED 0/000.880.5009 (u. 2)
4	● INNER BUSH 0/000.480.5106 (u. 4)
5	● INNER SPACER 0/000.480.5107 (u. 2)
6	● FORK SEAL MRT PRO 0/000.890.5008 (u. 2)
7	● RING STOP 0/000.300.4001 (u. 2)
8	● FORK SCRAPER SEAL 0/000.890.5007 (u. 2)
9	● WASHER 0/000.440.4002 (u. 2)
10	● POSITION SEAT 0/000.410.5206 (u. 2)
11	● SPRING STOP WASHER 0/000.440.4001 (u. 4)
12	● FORK PIPE COMPLETE LEFT 0/000.640.5118 (u. 1)
13	● FORK PIPE COMPLETE RIGHT 0/000.640.5119 (u. 1)
14	● STEERING BEARING MOD/PT101 0/000.960.0200 (u. 2)
15	● UPPER STEERING FORK DUST COVER 0/000.200.0001 (u. 1)

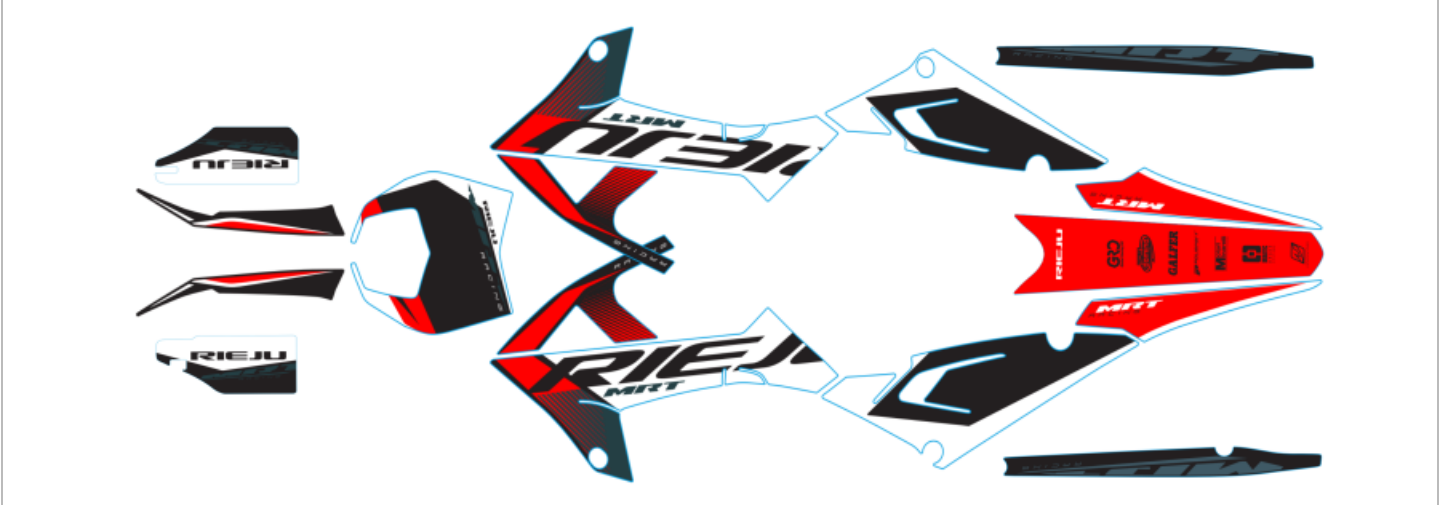
16	● METRIC SCREW 6 x 22 0/000.460.0310 (u. 2)
17	● FRONT FORK ASSY LEFT 0/000.640.5504 (u. 1)
18	● FRONT FORK ASSY RIGHT 0/000.640.5505 (u. 1)
19	● LOWER BRACKET 0/000.660.5114 (u. 1)
20	● UPPER BRACKET 0/000.660.5113 (u. 1)
21	● UPPER HANDLEBAR BRACKET Ø22 2015 0/000.350.7007 (u. 2)
22	● UPPER NUT BRACKET 0/000.340.5203 (u. 1)
23	● UPPER NUT WASHER 0/000.440.5136 (u. 1)
24	● LOWER NUT BRACKET 0/000.340.5204 (u. 1)
25	● UPPER STEERING FORK DUST COVER 0/000.200.0001 (u. 1)
26	● SCREW M8X35 0/000.460.0350 (u. 8)
27	● SECURING SCREW UPPER PLATE M8x40 0/000.460.0352 (u. 4)
28	● COMPLETE FORK MRT PRO Ø40 0/000.130.5104 (u. 1)
29	● SCREW DIN 912 M10X60 0/000.460.0403 (u. 2)
30	● (5 uds) WASHER DIN 125/A M10 Z/WHITE 0/000.440.0110B (u. 4)
31	● (5 UNIT BAG) NUT DIN 6926 M10 Cal.8 Z / WHITE 0/000.340.0182B (u. 2)
32	● SUPORT TRAPEZE ROD 0/000.980.5103 (u. 1)
33	● COMPLETE LINK 2009 0/000.770.0105 (u. 1)
34	● REDUCTOR 0/000.480.5038 (u. 1)
35	● SHOCK ABSORBER 0/000.180.6001 (u. 1)
36	● TORNILLO DIN 912 10x70 0/000.460.6210 (u. 1)
37	● SHOCK ABSORBER BOLT WASHER 0/000.440.0110 (u. 1)
38	● SHOCK ABSORBER BOLT NUT 0/000.340.0182 (u. 1)
39	● MUELLE HIDRAULICO RH/LH Ø5,5x527 0/000.470.5107 (u. 1)



SET GREEN DECALS



SET RED DECALS



ACCESSORIES - WHEELS / SEATS



1	<ul style="list-style-type: none"> <li>● FRONT WHEEL GEEEN 17" MRT 2017 0/000.120.5450 (u. 1) - LLANTA COMPLETA SIN NEUMATICO Y SIN DISCO DE FRENO</li> <li>● FRONT WHEEL GEEEN 17" MRT 2017 0/000.110.5450 (u. 1) - LLANTA COMPLETA SIN NEUMATICO Y SIN DISCO DE FRENO</li> </ul>	
2	<ul style="list-style-type: none"> <li>● BLUE COMPLETE FRONT WHEEL ASSEMBLY W/O RUBBER 0/000.110.5448 (u. 1) - LLANTA COMPLETA SIN NEUMATICO Y SIN DISCO DE FRENO</li> <li>● BLUE COMPLETE REAR WHEEL ASSEMBLY W/O RUBBER 0/000.120.5448 (u. 1) - LLANTA COMPLETA SIN NEUMATICO Y SIN DISCO DE FRENO</li> </ul>	
3	<ul style="list-style-type: none"> <li>● RED FRONT WHEEL 17" SM 2015 0/000.110.5447 (u. 1) - LLANTA COMPLETA SIN NEUMATICO Y SIN DISCO DE FRENO</li> <li>● RED FRONT WHEEL 17" SM 2015 0/000.120.5447 (u. 1) - LLANTA COMPLETA SIN NEUMATICO Y SIN DISCO DE FRENO</li> </ul>	
4	<ul style="list-style-type: none"> <li>● WHEEL SET 17" 10-SPOKED BLACK MRT SM 0/K00.115.0014 (u. 1) - JUEGO DE RUEDAS COMPLETO CON DISCO DE FRENO</li> </ul>	
5	<ul style="list-style-type: none"> <li>● COMPLETE 17" RADIAL SPOKED WHEEL MRT 50 SM PRO 0/K00.115.0006 (u. 1) - JUEGO DE RUEDAS COMPLETO CON DISCO DE FRENO</li> </ul>	
6	<ul style="list-style-type: none"> <li>● SILLIN MRT PRO V.2 ROJO-GRIS 0/000.040.5040 (u. 1)</li> </ul>	
7	<ul style="list-style-type: none"> <li>● COMPLETE SEAT MRT REPLICA 2019 ORANGE 0/000.040.5031 (u. 1)</li> </ul>	
8	<ul style="list-style-type: none"> <li>● SEAT MRT FREEJUMP 2019 GREEN 0/000.040.5033 (u. 1)</li> </ul>	<b>OBSOLETE</b>
9	<ul style="list-style-type: none"> <li>● SILLIN MRT PRO V.2 AZUL- GRIS 0/000.040.5035 (u. 1)</li> </ul>	
10	<ul style="list-style-type: none"> <li>● SILLIN MRT PRO EDICION ESPECIAL NEGRO/ROJO 2021 0/000.040.5037 (u. 1)</li> </ul>	
11	<ul style="list-style-type: none"> <li>● SILLIN MRT PRO V.2 NARANJA-GRIS 0/000.040.5043 (u. 1)</li> </ul>	

12	<ul style="list-style-type: none"><li>SILLIN MRT PRO V.2 GRIS -VERDE 0/000.040.5041 (u. 1)</li></ul>
13	<ul style="list-style-type: none"><li>SILLIN MRT PRO V.2 NEGRO-GRIS 0/000.040.5042 (u. 1)</li></ul>
14	<ul style="list-style-type: none"><li>DECAL SET WHEEL RED TEAM SM RACING 2014 0/000.390.5122 (u. 2) - <i>CALCA LLANTA MRT SM ROJA</i></li></ul>

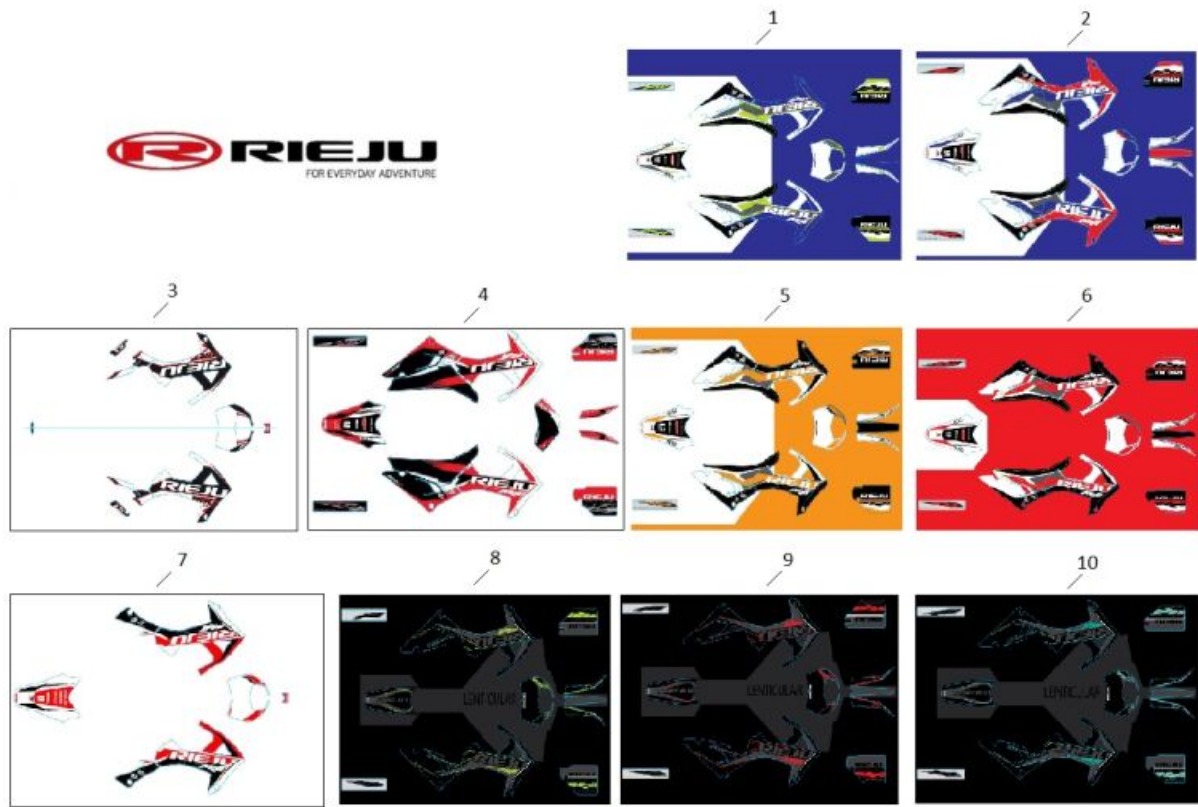
**ACCESSORIES**



1	<ul style="list-style-type: none"> <li>● PROTECTIVE SET FOR HANDLES PRO ORANGE 2016 0/000.770.5708 (u. 1)</li> </ul>
2	<ul style="list-style-type: none"> <li>● WHITE PROTECTOR HANDS 0/000.770.5704 (u. 1)</li> </ul>
3	<ul style="list-style-type: none"> <li>● BLACK PROTECTOR HANDS 0/000.770.5703 (u. 1)</li> </ul>
4	<ul style="list-style-type: none"> <li>● YELLOW HAND PROTECTOR 0/000.770.5706 (u. 1)</li> </ul>
5	<ul style="list-style-type: none"> <li>● GREEN HAND PROTECTORS 0/000.770.5707 (u. 1)</li> </ul>
6	<ul style="list-style-type: none"> <li>● MANILLAR ALUMINIO Ø22 ANODIZADO ROJO (SIN LOGO) 0/000.170.0556 (u. 1)</li> </ul>
7	<ul style="list-style-type: none"> <li>● MANILLAR ALUMINIO Ø22 ANODIZADO PLATA (CON LOGO) 0/000.170.0557 (u. 1)</li> </ul>
8	<ul style="list-style-type: none"> <li>● RED RADIATOR PROTECTOR MRT 0/000.220.0593 (u. 1)</li> </ul>
9	<ul style="list-style-type: none"> <li>● RED CHAIN GUIDE 2018 0/000.710.0303 (u. 1)</li> </ul>
10	<ul style="list-style-type: none"> <li>● TWIST GRIP ASSY 0/000.530.5003 (u. 1)</li> </ul>
11	<ul style="list-style-type: none"> <li>● KIT PORTABULTOS MRT v.2 0/K00.980.5001 (u. 1)</li> </ul>
12	<ul style="list-style-type: none"> <li>● NADSA LUGGAGE CASE (7KG MAX LOAD) 0/001.800.0001 (u. 1)</li> </ul>
13	<ul style="list-style-type: none"> <li>● ALUMINIUM SUMP GUARD 0/K00.220.5012 (u. 1)</li> </ul>
14	<ul style="list-style-type: none"> <li>● MOTOR STEERING WHEEL RED COVER 0/005.210.9041 (u. 1)</li> </ul>

15	<ul style="list-style-type: none"> <li>● RED OIL PUMP COVER 0/005.210.7351 (u. 1)</li> </ul>	
17	<ul style="list-style-type: none"> <li>● KIT MONTAJE LUCES LED MRT V2 0/K00.150.5001 (u. 2)</li> </ul>	
18	<ul style="list-style-type: none"> <li>● RIGHT HAND MIRROR 0/000.990.5004 (u. 1)</li> </ul>	
19	<ul style="list-style-type: none"> <li>● LEFT-HAND MIRROR 0/000.990.5003 (u. 1)</li> </ul>	
20	<ul style="list-style-type: none"> <li>● PROTECTIVE PUMP BACK BRAKE 0/000.220.5100 (u. 1)</li> </ul>	
21	<ul style="list-style-type: none"> <li>● PETACA MRT 50 EURO5 V2 ANODIZADA ROJA 0/000.870.5058 (u. 1)</li> </ul>	<b>OBSOLETE</b>
22	<ul style="list-style-type: none"> <li>● PETACA MRT 50 EURO5 V2 ALUMINIO 0/000.870.5057 (u. 1)</li> </ul>	<b>OBSOLETE</b>
	<ul style="list-style-type: none"> <li>● PETACA MRT 50 E5 V2 ALUM C/PROTECTOR 2022 0/000.870.5061 (u. 1)</li> </ul>	
23	<ul style="list-style-type: none"> <li>● REAR SPROCKET DURALUMINIUM BLACK z60 420 1/2"x1/4 0/000.500.7003 (u. 1)</li> </ul>	<b>OBSOLETE</b>
24	<ul style="list-style-type: none"> <li>● HANDLEBAR GRIPS YELLOW 0/000.530.5020 (u. 1)</li> </ul>	
25	<ul style="list-style-type: none"> <li>● HANDLEBAR GRIPS 0/000.530.8001 (u. 1)</li> </ul>	<b>OBSOLETE</b>

ACCESORIES - STICKERS SET



1	<ul style="list-style-type: none"> <li>JUEGO CALCAS MRT PRO V.2 VERDE - AZUL 0/000.390.5354 (u. 1)</li> </ul>
2	<ul style="list-style-type: none"> <li>JUEGO CALCAS MRT PRO V.2 AZUL - ROJO 0/000.390.5353 (u. 1)</li> </ul>
3	<ul style="list-style-type: none"> <li>JUEGO DE CALCAS MARATHON 125 LC 2021 0/000.390.5350 (u. 1)</li> </ul>
4	<ul style="list-style-type: none"> <li>JUEGO CALCAS MRT TROPHY V.2 0/000.390.5357 (u. 1)</li> </ul>
5	<ul style="list-style-type: none"> <li>JUEGO CALCAS MRT PRO V.2 NARANJA-NEGRO 0/000.390.5356 (u. 1)</li> </ul>
6	<ul style="list-style-type: none"> <li>JUEGO CALCAS MRT PRO V.2 ROJO - NEGRO 0/000.390.5352 (u. 1)</li> </ul>
7	<ul style="list-style-type: none"> <li>JUEGO DE CALCAS MRT V.2 0/000.390.5351 (u. 1)</li> </ul>
8	<ul style="list-style-type: none"> <li>JUEGO CALCAS MRT BLACK SERIES YELLOW V.2 0/000.390.5360 (u. 1)</li> </ul>
9	<ul style="list-style-type: none"> <li>JUEGO CALCAS MRT BLACK SERIES RED V.2 0/000.390.5359 (u. 1)</li> </ul>
10	<ul style="list-style-type: none"> <li>JUEGO CALCAS MRT BLACK SERIES BLUE V.2 0/000.390.5358 (u. 1)</li> </ul>



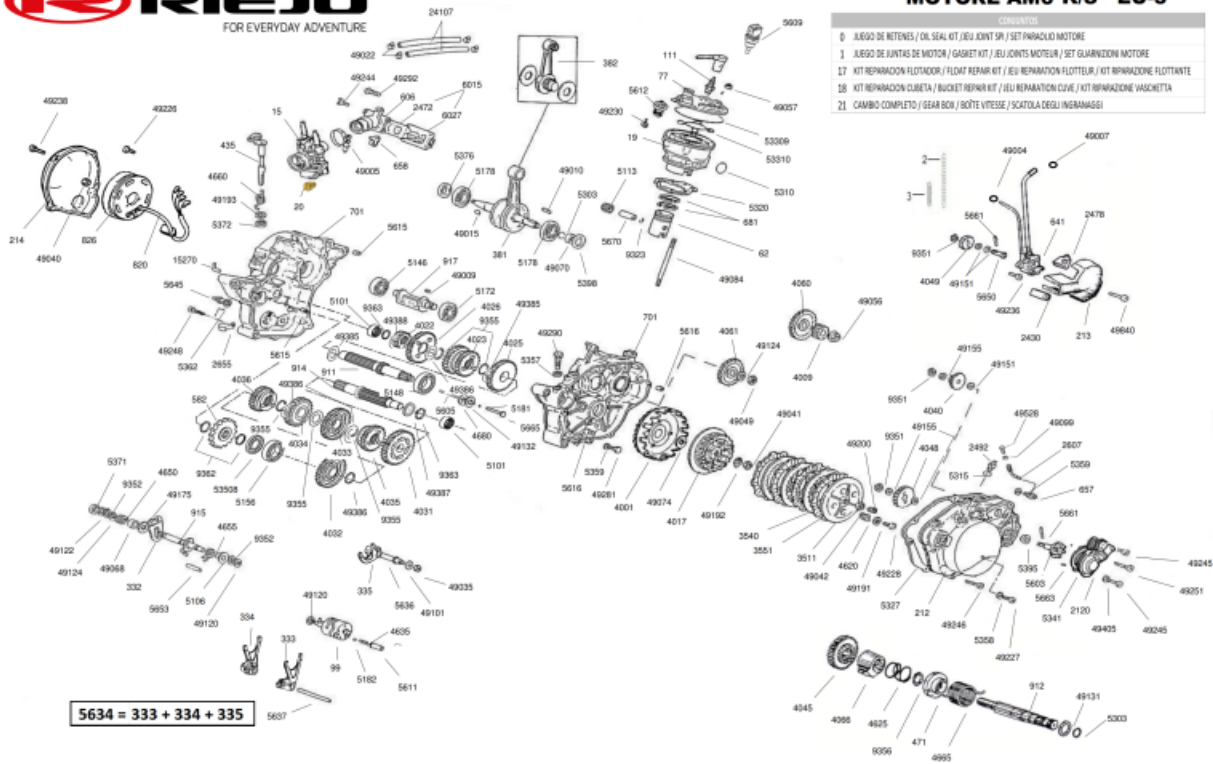
**Motor (AM6 K/S EU-5 V2 0344)**



**MOTORE AM6 K/S EU-5**

CONTENUTO

- 0 JUEGO DE RETENES / OIL SEAL KIT / JEI JOINT SP / SET PARAOLIO MOTORE
- 1 JUEGO DE JUNTAS DE MOTOR / GASKET KIT / JEI JOINTS MOTEUR / SET GUARNIZIONI MOTORE
- 17 KIT REPARACION FLOTADOR / FLOAT REPAIR KIT / JEI REPARATION FLOTTEUR / KIT RIPARAZIONE FLOTTANTE
- 18 KIT REPARACION CUBETA / BUCKET REPAIR KIT / JEI REPARATION CUVÉE / KIT RIPARAZIONE VASCHETTA
- 21 CAMBIO COMPLETO / GEAR BOX / BÔTE VITESSE / SCATOLA DEGLI INGRANAGGI

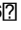


0	<ul style="list-style-type: none"> <li>● CUB SET</li> <li>0/005.710.7266 (u. 1)</li> </ul>
1	<ul style="list-style-type: none"> <li>● JOIN SET</li> <li>0/005.710.6871 (u. 1)</li> </ul>
2	<ul style="list-style-type: none"> <li>● MUELLE COMPRESION 170 x Ø6 x Ø0,5 INOX</li> <li>0/000.470.5013 (u. 1)</li> </ul>
3	<ul style="list-style-type: none"> <li>● MUELLE COMPRESION 390 x Ø10 x Ø0,8 INOX</li> <li>0/000.470.5014 (u. 1)</li> </ul>
15	<ul style="list-style-type: none"> <li>● CARBURADOR PHBN16 AM6 EURO5 V2</li> <li>0/005.155.5002 (u. 1)</li> </ul>
17	<ul style="list-style-type: none"> <li>● REPAIR KIT FLOAT</li> <li>0/005.991.4930 (u. 1)</li> </ul>
18	<ul style="list-style-type: none"> <li>● BUCKET REPAIR KIT</li> <li>0/005.992.0150 (u. 1)</li> </ul>
19	<ul style="list-style-type: none"> <li>● CILINDRO/PIST.D40.3 GRIGIO-113</li> <li>0/005.718.2947 (u. 1)</li> </ul>
20	<ul style="list-style-type: none"> <li>● SURTIDOR Ø 80 6413 x 02</li> <li>0/005.991.4891 (u. 1)</li> </ul>
21	<ul style="list-style-type: none"> <li>● COMPLETE GEAR CHANGE AM6 K/S &amp;E/S</li> <li>0/005.401.0313 (u. 1)</li> </ul>
62	<ul style="list-style-type: none"> <li>● PISTON COMPLETE Ø40,3</li> <li>0/005.711.2150 (u. 1)</li> </ul>
77	<ul style="list-style-type: none"> <li>● BREECH AM6</li> <li>0/005.770.5252 (u. 1)</li> </ul>
99	<ul style="list-style-type: none"> <li>● TREE</li> <li>0/005.090.0330 (u. 1)</li> </ul>
111	<ul style="list-style-type: none"> <li>● SPARK PLUG N.G.K. BR9</li> <li>0/005.110.1559 (u. 1)</li> </ul>
212	<ul style="list-style-type: none"> <li>● COVER CLUTCH</li> <li>0/005.210.7381 (u. 1)</li> </ul>

213	<ul style="list-style-type: none"> <li>COVER OIL PUMP MRT 2012 0/005.210.7350 (u. 1)</li> </ul>	
214	<ul style="list-style-type: none"> <li>COVERS STEERING WHEEL 0/005.210.9123 (u. 1)</li> </ul>	
332	<ul style="list-style-type: none"> <li>FORK SENDS SELECTOR 0/005.330.0217 (u. 1)</li> </ul>	
333	<ul style="list-style-type: none"> <li>FORK CONTROL CHANGE 1ª AND 3ª 0/005.330.0060 (u. 1)</li> </ul>	
334	<ul style="list-style-type: none"> <li>FORK CONTROL CHANGE 2ª AND 3ª 0/005.330.0070 (u. 1)</li> </ul>	
335	<ul style="list-style-type: none"> <li>FORK CONTROL CHANGE 5ª AND 6ª 0/005.330.0080 (u. 1)</li> </ul>	
381	<ul style="list-style-type: none"> <li>COMPLETE CRANKSHAFT 0/005.715.0780 (u. 1)</li> </ul>	
382	<ul style="list-style-type: none"> <li>COMPLETE CONNECTING ROD <math>\varnothing</math> 16 0/005.715.3377 (u. 1)</li> </ul>	OBSOLETE
	<ul style="list-style-type: none"> <li>COMPLETE CONNECTING ROD <math>\varnothing</math> 18 0/005.715.3464 (u. 1)</li> </ul>	
435	<ul style="list-style-type: none"> <li>WEIGH CLUTCH COMPLETE 0/005.430.0320 (u. 1)</li> </ul>	
471	<ul style="list-style-type: none"> <li>SPRING GUIDE CUP 0/005.470.1159 (u. 1)</li> </ul>	
582	<ul style="list-style-type: none"> <li>DRIVE SPROCKET Z11 1/2" x 3/16" 0/005.580.5001 (u. 1)</li> </ul>	
606	<ul style="list-style-type: none"> <li>MANIFOLD <math>\varnothing</math>20 AM EURO4 0/005.601.4980 (u. 1)</li> </ul>	
641	<ul style="list-style-type: none"> <li>OIL PUMP "PRICOL" 0/005.640.0196 (u. 1)</li> </ul>	
657	<ul style="list-style-type: none"> <li>BRIDGE REGISTERS CABLE OIL PUMP 0/005.650.1420 (u. 1)</li> </ul>	
	<ul style="list-style-type: none"> <li>BRIDGE REGISTERS CABLE OIL PUMP PRICOL 0/005.650.1421 (u. 1)</li> </ul>	
658	<ul style="list-style-type: none"> <li>BRIDGE CABLE CLUTCH 0/005.650.1410 (u. 1)</li> </ul>	
681	<ul style="list-style-type: none"> <li>SEGMENT SET <math>\varnothing</math>40,3x1,2 0/005.714.2080 (u. 1)</li> </ul>	
701	<ul style="list-style-type: none"> <li>CRANKCASE PAIR AM6 (KICK STARTER) 0/005.710.1606 (u. 1)</li> </ul>	
826	<ul style="list-style-type: none"> <li>COMPLETE STEERING WHEEL MORIC 0/005.822.2544 (u. 1)</li> </ul>	
911	<ul style="list-style-type: none"> <li>PRIMARY TREE ALONE 0/005.010.3396 (u. 1)</li> </ul>	
912	<ul style="list-style-type: none"> <li>STARTING TREE 2012 0/005.010.1216 (u. 1)</li> </ul>	
914	<ul style="list-style-type: none"> <li>SECONDARY TREE ALONE 0/005.010.4367 (u. 1)</li> </ul>	
915	<ul style="list-style-type: none"> <li>TREE SELECTOR 0/005.010.5110 (u. 1)</li> </ul>	
917	<ul style="list-style-type: none"> <li>CONTRALBERO 0/005.010.9062 (u. 1)</li> </ul>	
2120	<ul style="list-style-type: none"> <li>TAPA BOMBA AGUA 0/005.210.6138 (u. 1)</li> </ul>	
2430	<ul style="list-style-type: none"> <li>RUBBER CLOSES CABLE FOR PUMP PRICOL 0/005.240.5336 (u. 1)</li> </ul>	
2472	<ul style="list-style-type: none"> <li>INSERT VALVE OF SHEETS 0/005.240.2117 (u. 1)</li> </ul>	

2478	● RUBBER FOR OILTUBE 0/005.240.5334 (u. 1)
2492	● PLUG FEEDING OIL 0/005.247.0547 (u. 1)
2607	● HOSE 0/005.260.5535 (u. 1)
2655	● TUBE SUPPORT 0/005.260.6057 (u. 1)
3511	● FINAL CLUTCH COVER 0/005.350.1380 (u. 1)
3540	● DISK CLUTCH OF THICK IRON S.P. 1,2 0/005.350.1200 (u. 3)
3551	● DISK LINED CLUTCH 0/005.350.3580 (u. 4)
4001	● CROWN CLUTCH WITH SPROCKET Z = 20/71 0/005.710.2527 (u. 1)
4017	● DRUM CLUTCH IN ALUMINUM 0/005.403.6020 (u. 1)
4022	● PINENUT 2ª ON PRIMARY 0/005.400.3738 (u. 1)
4023	● PINENUT 3ª AND 4ª ON PRIMARY 0/005.400.3729 (u. 1)
4025	● PINENUT 5ª ON PRIMARY 0/005.400.3730 (u. 1)
4026	● PINENUT 6ª ON PRIMARY 0/005.400.3731 (u. 1)
4031	● PINENUT 1ª ON SECONDARY 0/005.400.3732 (u. 1)
4032	● PINENUT 2ª ON SECONDARY 0/005.400.3733 (u. 1)
4033	● PINENUT 3ª ON SECONDARY 0/005.400.3734 (u. 1)
4034	● PINENUT 4ª ON SECONDARY 0/005.400.3735 (u. 1)
4035	● PINENUT 5ª ON SECONDARY 0/005.400.3736 (u. 1)
4036	● PINENUT 6ª ON SECONDARY 0/005.400.3737 (u. 1)
4040	● INTERMEDIATE DOUBLE PINENUT Z = 13/24 0/005.400.4787 (u. 1)
4045	● STARTING GEAR Z=21 0/005.400.5351 (u. 1)
4048	● PINENUT PUMP DILUTES Z = 30 0/005.400.5780 (u. 1)
4049	● PINENUT PUMP OILS 0/005.400.5757 (u. 1)
4060	● PINENUT CONDUCTIVE AGAINST-TREE Z=34 0/005.400.5660 (u. 1)
4061	● PINENUT CONDUCTIVE AGAINST-TREE Z=34 0/005.400.5660 (u. 1)
	● PINENUT AGAINST-TREE Z = 34 0/005.400.5670 (u. 1)
4066	● STARTING CATCH PINION 0/005.400.6621 (u. 1)
4620	● SPRING CLUTCH 0/005.460.1340 (u. 4)

OBSOLETE

4625	<ul style="list-style-type: none"> <li>● SPRING FOR STARTING CATCH PINION 0/005.460.1489 (u. 1)</li> </ul>	
4635	<ul style="list-style-type: none"> <li>● SPRING RETAINS MARCH 0/005.460.3510 (u. 1)</li> </ul>	
4650	<ul style="list-style-type: none"> <li>● SPRING RETAINS FORK SELECTOR 0/005.460.1967 (u. 1)</li> </ul>	
4655	<ul style="list-style-type: none"> <li>● SPRING RETAINS LEVER SELECTOR 0/005.460.2027 (u. 1)</li> </ul>	
4660	<ul style="list-style-type: none"> <li>● SPRING RECOVERY WEIGHS CLUTCH 0/005.460.2200B (u. 1)</li> </ul>	
4665	<ul style="list-style-type: none"> <li>● MUELLE PARA ARBOL TEAMWORLD 0/005.460.2362 (u. 1)</li> </ul>	OBSOLETE
	<ul style="list-style-type: none"> <li>● MUELLE PARA ARBOL TEAMWORLD 0/005.460.2363 (u. 1)</li> </ul>	
4680	<ul style="list-style-type: none"> <li>● WASHER-SPRING 0/005.460.3010 (u. 1)</li> </ul>	
5101	<ul style="list-style-type: none"> <li>● CAGE OF ROLLERS DB 14-12 0/005.510.1029 (u. 2)</li> </ul>	
5106	<ul style="list-style-type: none"> <li>● CAP FOR SELECTOR SPRING 0/005.510.1297 (u. 1)</li> </ul>	
5113	<ul style="list-style-type: none"> <li>● CAGE KD 12 x 15 x 15 0/005.510.3029 (u. 1)</li> </ul>	
5146	<ul style="list-style-type: none"> <li>● BEARING Ø15 x 35 x 11 0/005.510.2039 (u. 1)</li> </ul>	
5148	<ul style="list-style-type: none"> <li>● BEARING Ø17 x 40 x 12 0/005.510.2059 (u. 1)</li> </ul>	
5156	<ul style="list-style-type: none"> <li>● BEARING Ø20 x 47 x 14 0/005.510.2159 (u. 1)</li> </ul>	
5172	<ul style="list-style-type: none"> <li>● BEARING Ø17 x 40 x 12 0/005.510.2299 (u. 1)</li> </ul>	
5178	<ul style="list-style-type: none"> <li>● BEARING Ø17 x 47 x 14 0/005.510.2652 (u. 2)</li> </ul>	
5181	<ul style="list-style-type: none"> <li>● BALL 3/16"  0/005.510.4039 (u. 1)</li> </ul>	
5182	<ul style="list-style-type: none"> <li>● BALL Ø9 MM 0/005.510.4079 (u. 1)</li> </ul>	
5303	<ul style="list-style-type: none"> <li>● O RING 0/005.530.1047B (u. 1)</li> </ul>	
5310	<ul style="list-style-type: none"> <li>● O RING 25,07X2,62 VITON 0/005.530.1759B (u. 1)</li> </ul>	
5315	<ul style="list-style-type: none"> <li>● RING OF RETENTION Ø15,1 x 2,70 0/005.530.1788 (u. 1)</li> </ul>	
5320	<ul style="list-style-type: none"> <li>● GASKET CYLINDER 0/005.530.8020B (u. 1)</li> </ul>	
5327	<ul style="list-style-type: none"> <li>● CLUTCH COVER GASKET 0/005.530.3640B (u. 1)</li> </ul>	
5330	<ul style="list-style-type: none"> <li>● FLYWHEEL GASKET 0/005.530.8860 (u. 1)</li> </ul>	
5341	<ul style="list-style-type: none"> <li>● BODY PUMP WATER BOARD 0/005.530.4000B (u. 1)</li> </ul>	
5357	<ul style="list-style-type: none"> <li>● SCREW GASKET 0/005.530.4710 (u. 1)</li> </ul>	
5358	<ul style="list-style-type: none"> <li>● SCREW 6 x 12 OIL LEVEL GASKET 0/005.530.4720 (u. 2)</li> </ul>	
5359	<ul style="list-style-type: none"> <li>● FIBER BOARD 0/005.530.4730B (u. 3)</li> </ul>	

5361	<ul style="list-style-type: none"> <li>● SCREW WATER EXIT 14,1 x 22 x 1 GASKET 0/005.530.4750 (u. 1)</li> </ul>	
5362	<ul style="list-style-type: none"> <li>● NEUTRAL INDICATOR GASKET 0/005.530.4790 (u. 1)</li> </ul>	
5371	<ul style="list-style-type: none"> <li>● SEAL 12*22*7 0/005.530.5019B (u. 1)</li> </ul>	
5372	<ul style="list-style-type: none"> <li>● SEAL 15*24*5 0/005.530.5029B (u. 1)</li> </ul>	
5376	<ul style="list-style-type: none"> <li>● SEAL 17*35*8 0/005.530.5069B (u. 1)</li> </ul>	
5395	<ul style="list-style-type: none"> <li>● SEAL 10*18*8 0/005.530.5339B (u. 1)</li> </ul>	
	<ul style="list-style-type: none"> <li>● DETENT 10 x 18 x 8 0/005.530.5339 (u. 1)</li> </ul>	
5398	<ul style="list-style-type: none"> <li>● SEAL 24*35*7 0/005.530.5379B (u. 1)</li> </ul>	
5603	<ul style="list-style-type: none"> <li>● FASTENER BOMB DILUTES 0/005.560.0080 (u. 1)</li> </ul>	
5605	<ul style="list-style-type: none"> <li>● BAR PUSHER CLUTCH Ø5 x 116,6 0/005.560.1460 (u. 1)</li> </ul>	
5609	<ul style="list-style-type: none"> <li>● TEMPERATURE SENSOR POWER UP ENGINE 0/005.560.1991 (u. 1)</li> </ul>	
5611	<ul style="list-style-type: none"> <li>● PIN 0/005.560.2070 (u. 1)</li> </ul>	
5612	<ul style="list-style-type: none"> <li>● THERMOSTAT \$BEHR THOMSON Nº 1085" 0/006.050.0077 (u. 1)</li> </ul>	
5615	<ul style="list-style-type: none"> <li>● CRANKCASE GUIDE Ø11,5 x 12 0/005.560.2580 (u. 2)</li> </ul>	
5616	<ul style="list-style-type: none"> <li>● CRANKCASE GUIDE Ø8,51 x 7,6 0/005.560.2610 (u. 2)</li> </ul>	
5634	<ul style="list-style-type: none"> <li>● KIT HORQUILLAS MANDO CAMBIO 0/K05.330.0060 (u. 1)</li> </ul>	
5636	<ul style="list-style-type: none"> <li>● SHAFT 7,8 x 72 0/005.560.9010 (u. 1)</li> </ul>	
5637	<ul style="list-style-type: none"> <li>● SHAFT 7,8 x 91,5 0/005.560.9020 (u. 1)</li> </ul>	
5645	<ul style="list-style-type: none"> <li>● SWITCH DEAD POINT 0/005.560.3570 (u. 1)</li> </ul>	
5650	<ul style="list-style-type: none"> <li>● SHAFT OIL PUMP 0/005.560.9777 (u. 1)</li> </ul>	
5653	<ul style="list-style-type: none"> <li>● SHAFT 0/005.560.9787 (u. 1)</li> </ul>	
5661	<ul style="list-style-type: none"> <li>● WATER PUMP SPINDLE PIN 0/006.050.0080 (u. 2)</li> </ul>	
5663	<ul style="list-style-type: none"> <li>● ROLLER Ø4 x 10 BODY BOMB 0/005.560.4017 (u. 2)</li> </ul>	
5665	<ul style="list-style-type: none"> <li>● PUSHER CLUTCH Ø13 IN HEAD 0/005.560.5510 (u. 1)</li> </ul>	
5670	<ul style="list-style-type: none"> <li>● PISTON PIN 0/005.560.6100 (u. 1)</li> </ul>	
6013	<ul style="list-style-type: none"> <li>● BODY BOMB DILUTES (FRAME&gt;832222) 0/005.600.1290 (u. 1) - BAST.&gt;832222)</li> </ul>	OBSOLETE
	<ul style="list-style-type: none"> <li>● TAPA BOMBA AGUA 0/005.210.6138 (u. 1)</li> </ul>	
6015	<ul style="list-style-type: none"> <li>● VALVE OF SHEETS 0/005.600.0871 (u. 1)</li> </ul>	

9323	● PISTON PIN CLIP RING 0/005.030.2130 (u. 2)	
9351	● RING SEEGER Ø8 0/005.030.3016 (u. 3)	
9352	● RING SEEGER Ø12 0/005.030.3026 (u. 2)	
9355	● RING SEEGER Ø18 0/005.030.3057 (u. 2)	
9356	● RING SEEGER FOR TREE Ø18 STARTER 0/005.030.3066 (u. 1)	
9362	● RING SEEGER Ø20 0/005.030.3127 (u. 3)	
9363	● RING SEEGER Ø14 0/005.491.7623 (u. 2)	
9365	● RING SEEGER Ø20 0/005.030.3364 (u. 3)	
15270	● JOINT 0/005.150.6489 (u. 1)	<b>OBSOLETE</b>
24107	● COOLING PIPE L:130 ENGINE 0/005.240.3691 (u. 2)	
49004	● OIL PUMP TUBE 0/006.050.0094 (u. 1)	
	● BAND FOR TUBE OILS 0/005.490.0479 (u. 1)	<b>OBSOLETE</b>
49005	● OIL PUMP TUBE 0/006.050.0094 (u. 1)	
	● BAND FIXING 0/006.050.0095 (u. 1)	
49007	● BAND FOR ENTERED TUBE OILS TO THE BOMB 0/005.490.0269 (u. 2)	<b>OBSOLETE</b>
	● ABRAZADERA 0/006.050.0091 (u. 2)	
49009	● LOCKNUT 4 x 4 x 8 0/005.490.1120 (u. 1)	
49010	● LOCKNUT 4 x 4 x 20 FOR SPROCKET 0/005.490.1180 (u. 1)	
49015	● LOCKNUT 3 x 3,7 x 10 FLYWHEEL 0/005.490.1248 (u. 1)	
49022	● BAND FIXING Ø8 BLACK 0/006.050.0097 (u. 4)	
49035	● METRIC NUT 7 x 5,5 0/005.490.3059 (u. 1)	
49040	● NUT M10X1,25 0/005.490.3490B (u. 1)	
49041	● METRIC NUT 12 x 1,25 0/005.490.3370 (u. 1)	
49042	● METRIC NUT 14 x 1,25 0/005.490.3240 (u. 1)	
49049	● METRIC NUT 12 x 1 0/005.490.3420 (u. 1)	
49056	● NUT M12X1,25 0/005.490.3470B (u. 1)	
49057	● NUT M7X1 0/005.490.3540 (u. 1)	
49068	● SPACER Ø12,4 x 14,4 x 11 0/005.490.4127 (u. 1)	

49070	<ul style="list-style-type: none"> <li>SPACER Ø16,9 x 24 x 8 0/005.490.4663 (u. 1)</li> </ul>
49074	<ul style="list-style-type: none"> <li>SPACER DRUM CLUTCH Ø13 x 30 x 4 0/005.490.4390 (u. 1)</li> </ul>
49084	<ul style="list-style-type: none"> <li>METRIC SCREW 7 x 115 0/005.490.5140 (u. 4)</li> </ul>
49101	<ul style="list-style-type: none"> <li>WASHER Ø7 JAGGED INTERIOR 0/005.490.6129 (u. 1)</li> </ul>
49120	<ul style="list-style-type: none"> <li>WASHER 10X16X0,6 0/005.490.6406B (u. 2)</li> </ul>
49122	<ul style="list-style-type: none"> <li>WASHER STEELS Ø12 x 17 x 0,6 0/005.490.6426 (u. 1)</li> </ul>
49124	<ul style="list-style-type: none"> <li>WASHER STEELS Ø12,3 x 22 0/005.490.6440 (u. 2)</li> </ul>
49131	<ul style="list-style-type: none"> <li>WASHER STEELS Ø16 x 25 x 0,4 0/005.490.6514 (u. 1)</li> </ul>
49132	<ul style="list-style-type: none"> <li>WASHER 17,2X30 0/005.490.6520B (u. 1)</li> </ul>
49151	<ul style="list-style-type: none"> <li>WASHER STEELS Ø8,4 x 16 x 0,6 0/005.491.6096 (u. 5)</li> </ul>
49155	<ul style="list-style-type: none"> <li>WASHER STEELS Ø8,2 x 15 x 1 0/005.491.6130 (u. 3)</li> </ul>
49175	<ul style="list-style-type: none"> <li>WASHER Ø12,75 x 28 x 1,5 0/005.490.6800 (u. 1)</li> </ul>
49191	<ul style="list-style-type: none"> <li>WASHER Ø5 x 15 x 2 0/005.490.6890 (u. 4)</li> </ul>
49192	<ul style="list-style-type: none"> <li>WASHER 5X15X2 0/005.490.7000B (u. 1)</li> </ul>
49193	<ul style="list-style-type: none"> <li>WASHER Ø14 x 26 x 0,5 0/005.490.7010 (u. 1)</li> </ul>
49200	<ul style="list-style-type: none"> <li>SCREW CLUTCH M14 x 1,25 x 18 0/005.490.8010 (u. 1)</li> </ul>
49226	<ul style="list-style-type: none"> <li>SCREW 4X10 0/005.490.9389B (u. 3)</li> </ul>
49227	<ul style="list-style-type: none"> <li>METRIC SCREW 6 x 6 0/005.490.8420 (u. 2)</li> </ul>
49228	<ul style="list-style-type: none"> <li>SCREW 5X20 0/005.491.9049B (u. 4)</li> </ul>
49230	<ul style="list-style-type: none"> <li>METRIC SCREW 4 x 10 0/005.490.8460 (u. 2)</li> </ul>
49236	<ul style="list-style-type: none"> <li>METRIC SCREW 5 x 16 0/005.490.8529 (u. 2)</li> </ul>
49238	<ul style="list-style-type: none"> <li>METRIC SCREW 6 x 20 0/000.460.0290 (u. 5)</li> </ul>
49244	<ul style="list-style-type: none"> <li>METRIC SCREW 6 x 20 0/005.490.8619 (u. 4)</li> </ul>
	<ul style="list-style-type: none"> <li>METRIC SCREW 6 x 22 0/000.460.0310 (u. 2)</li> </ul>
49245	<ul style="list-style-type: none"> <li>METRIC SCREW 6 x 25 0/000.460.0311 (u. 2)</li> </ul>
49246	<ul style="list-style-type: none"> <li>METRIC SCREW 6 x 30 0/000.460.0320 (u. 7)</li> </ul>
49248	<ul style="list-style-type: none"> <li>METRIC SCREW 6 x 40 0/005.490.8659 (u. 13)</li> </ul>
49251	<ul style="list-style-type: none"> <li>METRIC SCREW 6 x 55 0/005.490.8689 (u. 1)</li> </ul>

OBSOLETE



49281	<ul style="list-style-type: none"> <li>METRIC SCREW 8 x 10 0/005.490.9119 (u. 1)</li> </ul>	
49290	<ul style="list-style-type: none"> <li>METRIC SCREW 12 x 1,25 0/005.490.9220 (u. 1)</li> </ul>	
49292	<ul style="list-style-type: none"> <li>ANTI TAMPERING SCREW 0/006.050.0114 (u. 2)</li> </ul>	
49385	<ul style="list-style-type: none"> <li>ARANDELA ARBOL PRIMARIO AM6 0/005.491.7618 (u. 1)</li> </ul>	
	<ul style="list-style-type: none"> <li>ARANDELA ARBOL PRIMARIO AM6 0/005.491.7618 (u. 1)</li> </ul>	
49386	<ul style="list-style-type: none"> <li>ARANDELA ARBOL SECUNDARIO AM6 0/005.491.7622 (u. 5)</li> </ul>	<b>OBSOLETE</b>
	<ul style="list-style-type: none"> <li>WASHER 0/005.491.7621 (u. 1)</li> </ul>	
49387	<ul style="list-style-type: none"> <li>ARANDELA MOTOR E4 MINARELLI 0/000.440.0317 (u. 1)</li> </ul>	
49388	<ul style="list-style-type: none"> <li>RING SEEGER Ø14 0/005.491.7623 (u. 1)</li> </ul>	
49405	<ul style="list-style-type: none"> <li>WASHER Ø6 x 11 x 1,2 0/005.491.7570 (u. 1)</li> </ul>	
49528	<ul style="list-style-type: none"> <li>TORNILLO TUBO CURVADO 40 0/005.490.8071 (u. 1)</li> </ul>	
49840	<ul style="list-style-type: none"> <li>METRIC SCREW 5 x 35 0/005.497.0669 (u. 2)</li> </ul>	
53309	<ul style="list-style-type: none"> <li>O RING 2,62 0/005.530.1749B (u. 1)</li> </ul>	
53310	<ul style="list-style-type: none"> <li>O RING 2,62 0/005.530.1739B (u. 1)</li> </ul>	
53508	<ul style="list-style-type: none"> <li>SEAL 20*35*7 0/005.530.5499B (u. 1)</li> </ul>	