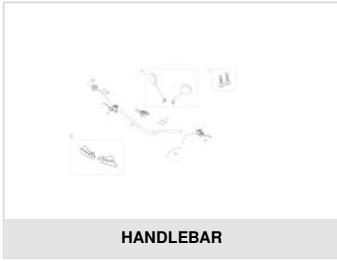


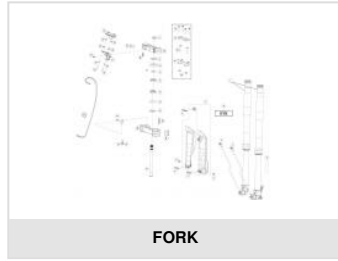


MR 300 SIX DAYS ARGENTINA 2024

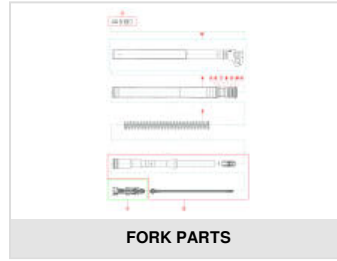
Exploded



HANDLEBAR



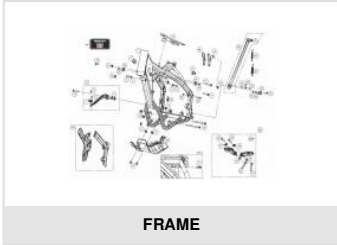
FORK



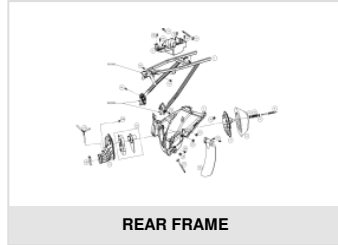
FORK PARTS



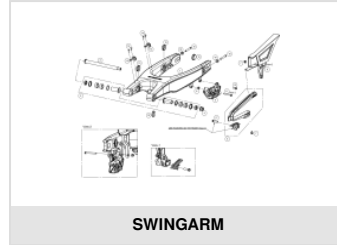
KYB TOOLS



FRAME



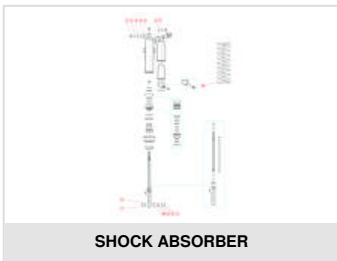
REAR FRAME



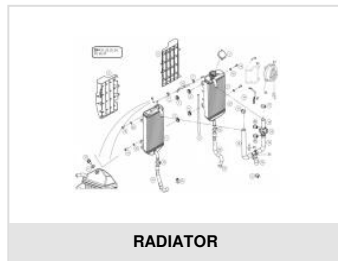
SWINGARM



SHOCK ABSORBER



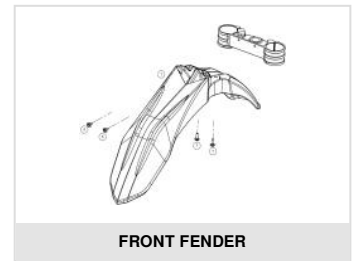
SHOCK ABSORBER



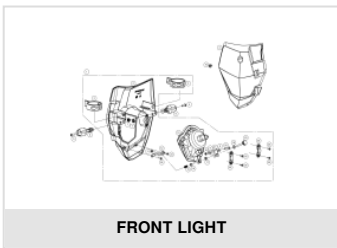
RADIATOR



ELECTRICAL PARTS



FRONT FENDER



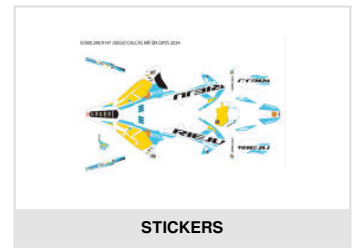
FRONT LIGHT



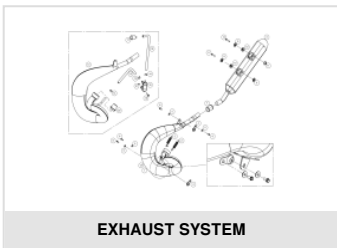
TANK



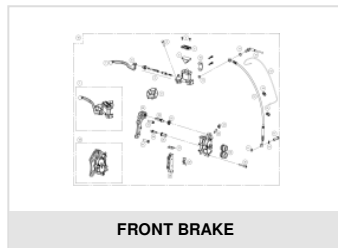
REAR FAIRING



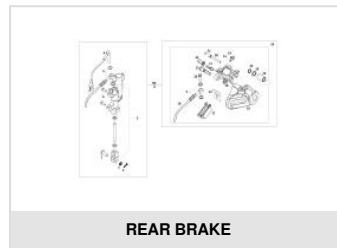
STICKERS



EXHAUST SYSTEM



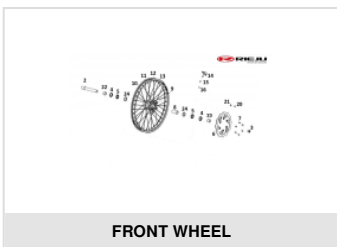
FRONT BRAKE



REAR BRAKE



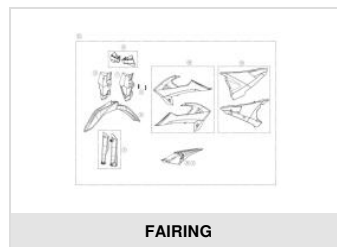
CLUTCH CONTROL



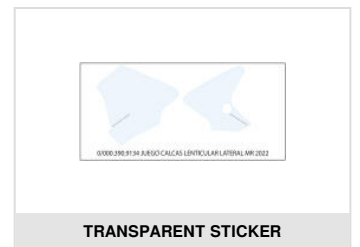
FRONT WHEEL



REAR WHEEL



FAIRING

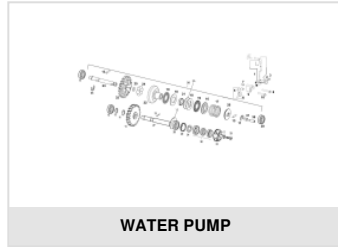


TRANSPARENT STICKER

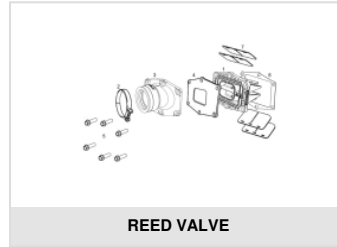
ENGINE MR 2022 V2



KICK STARTER



WATER PUMP



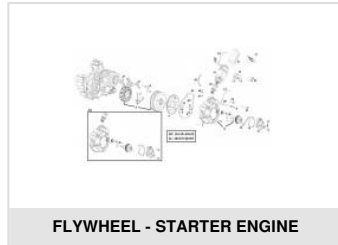
REED VALVE



CHANGE SHAFT



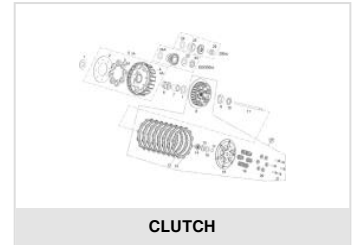
CARTER



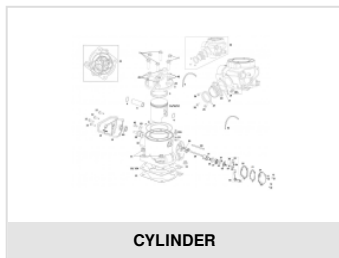
FLYWHEEL - STARTER ENGINE



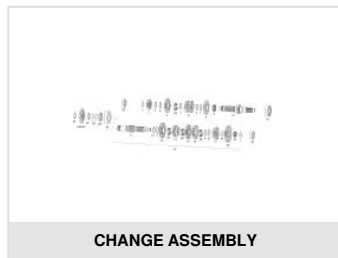
CRANKSHAFT



CLUTCH



CYLINDER



CHANGE ASSEMBLY

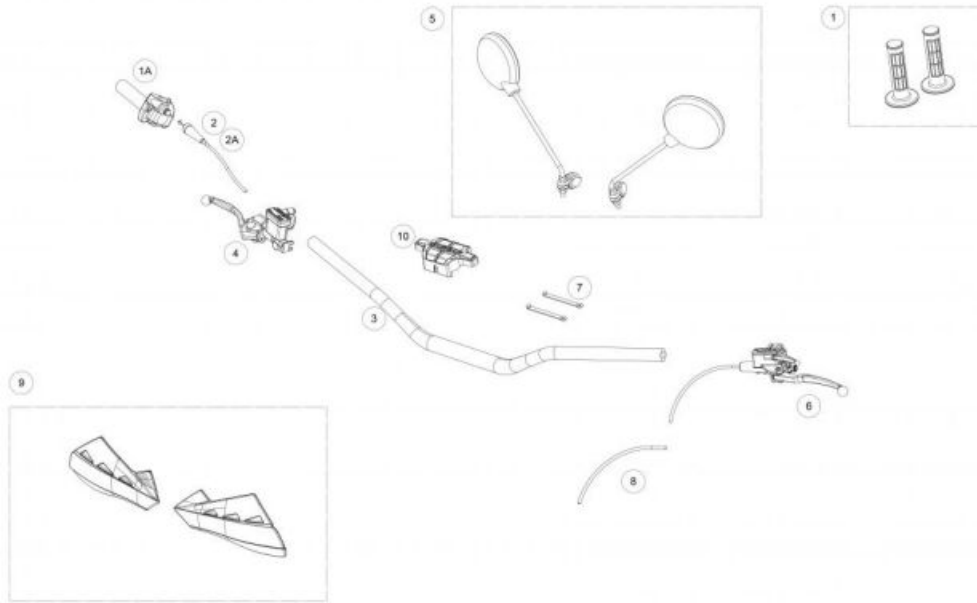


CARBURETOR



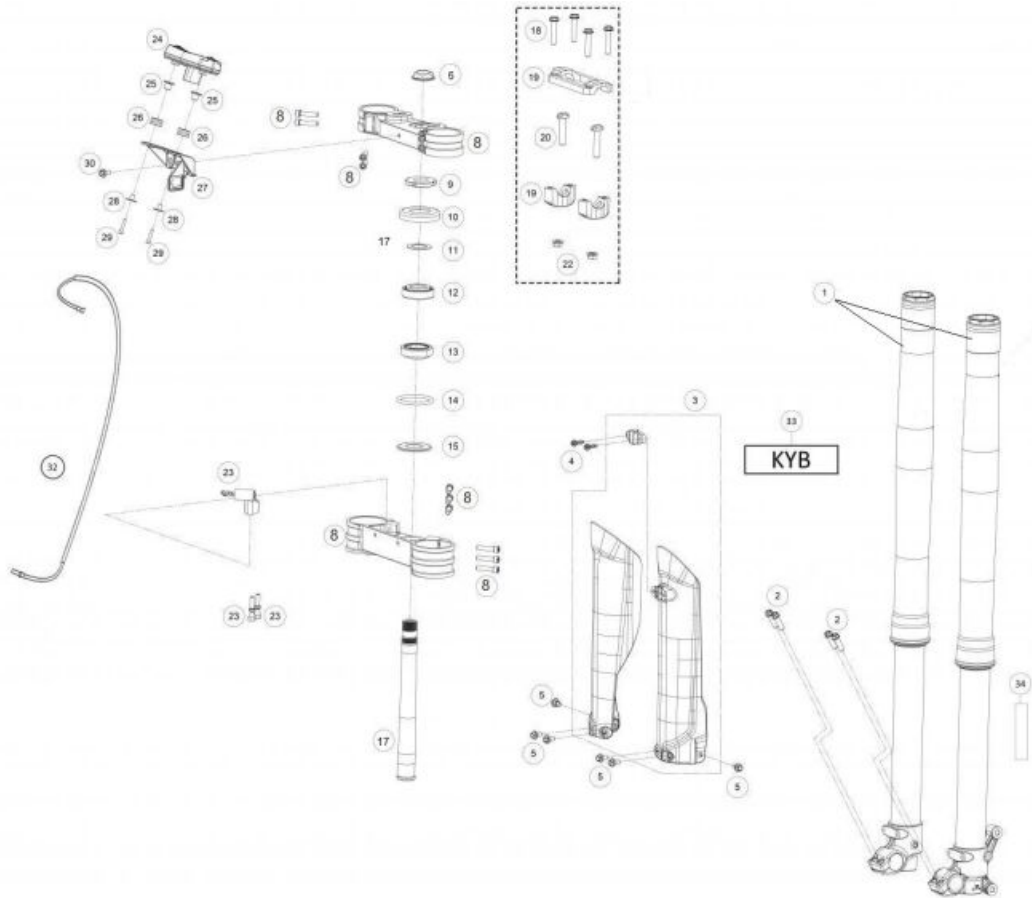
ENGINE TOOLS

HANDLEBAR



1	<ul style="list-style-type: none"> GRIPS SET RENTHAL (G087A) DARK GREY 0/000.530.9103 (u. 1)
1A	<ul style="list-style-type: none"> TWIST GRIP 0/000.530.9100 (u. 1)
2	<ul style="list-style-type: none"> THROTTLE CABLE EC 2018 0/000.550.9101 (u. 1)
2A	<ul style="list-style-type: none"> THROTTLE CABLE EC 2018 HOMOL. 0/000.550.9102 (u. 1)
3	<ul style="list-style-type: none"> HANDLEBAR RENTHAL RACING 2010 0/000.170.9102 (u. 1)
4	<ul style="list-style-type: none"> FRONT BRAKE PUMP 0/000.820.9106 (u. 1)
5	<ul style="list-style-type: none"> SET MIRROR (REG 81) 0/000.990.9100 (u. 1)
6	<ul style="list-style-type: none"> COMPLETE MAGURA CLUTCH PUMP, 9.5 (167) 0/000.830.9101 (u. 1)
7	<ul style="list-style-type: none"> CLAMP 0/000.680.0060 (u. 2) RUBBER CABLE TIES 0/000.360.9110 (u. 2)
8	<ul style="list-style-type: none"> THROTTLE CABLE STARTER ENDURO 2018 0/000.550.9100 (u. 1)
9	<ul style="list-style-type: none"> SET HANDGUARDS ENDURO WHITE (QWEST) 0/000.770.9100 (u. 1)

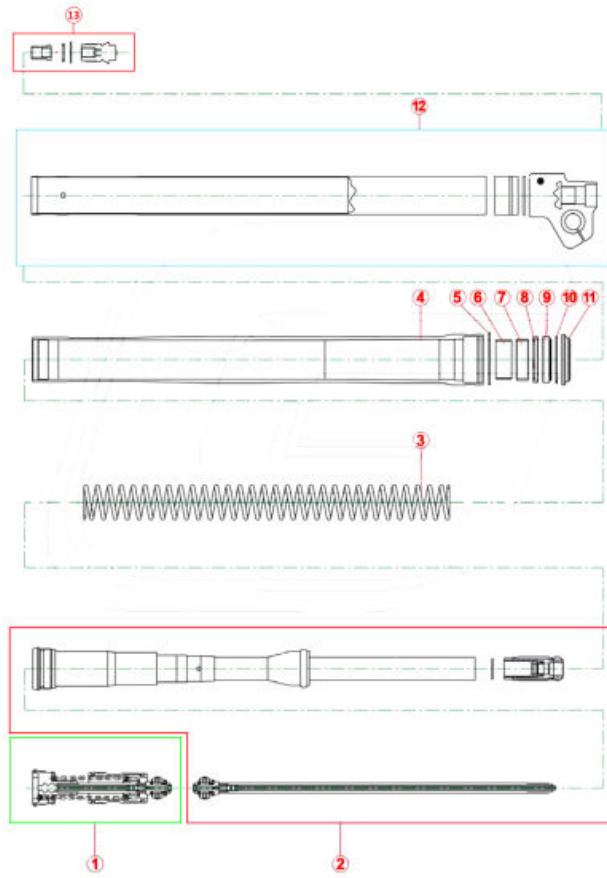
FORK



1	<ul style="list-style-type: none"> HORQUILLA SUSPENSION IZQ PRO FACTORY V.2 0/000.130.9109 (u. 1) HORQUILLA SUSPENSION DCHA PRO FACTORY V.2 0/000.130.9108 (u. 1)
2	<ul style="list-style-type: none"> SCREW SPECIAL 8X25 GEOMET 10.9 0/000.460.9137 (u. 4)
3	<ul style="list-style-type: none"> CJTO. FORK PROTECTORS MR WHITE 0/000.220.9144 (u. 1)
4	<ul style="list-style-type: none"> TORN. ESP. ROSCA PLASTICO Hex.6 C/Arandela 6x20 0/000.460.9178 (u. 2)
5	<ul style="list-style-type: none"> SCREW ESP.6X8 DRACOMET 0/000.460.9162 (u. 6)
6	<ul style="list-style-type: none"> STEERING SHAFT NUT 0/000.340.9102 (u. 1)
8	<ul style="list-style-type: none"> CONJUNTO BRIDAS SUSPENSION MR PRO NEGRAS 0/000.660.9108 (u. 1)
9	<ul style="list-style-type: none"> LOWER STEERING SHAFT NUT 0/000.340.9101 (u. 1)
10	<ul style="list-style-type: none"> BEARING DUST COVER BLACK 0/000.200.9100 (u. 1)
11	<ul style="list-style-type: none"> STEERING WASHER 0/000.440.9101 (u. 1)
12	<ul style="list-style-type: none"> STEERING BEARING 30205A 0/000.960.9101 (u. 1)
13	<ul style="list-style-type: none"> STEERING BEARING INF.320/28 0/000.960.9100 (u. 1)
14	<ul style="list-style-type: none"> STEERING O-RING 50x5 0/000.490.9102 (u. 1)

15	<ul style="list-style-type: none"> ● STEERING CAP D.28 0/000.200.9101 (u. 1) 	
17	<ul style="list-style-type: none"> ● AXLE STEERING 0/000.190.9100 (u. 1) 	
18	<ul style="list-style-type: none"> ● SCREW SPECIAL 8X40 GEOMET 10.9 0/000.460.9140 (u. 4) 	
19	<ul style="list-style-type: none"> ● MECHANIZED HANDLEBAR CLAMP BLACK MR 0/K00.350.9102 (u. 1) 	
20	<ul style="list-style-type: none"> ● 10X45 SPEZIAL BOLT G5 12.9 0/000.460.9113 (u. 2) 	
22	<ul style="list-style-type: none"> ● NUT AUTOB.M10 PASO 1.50 WASHER DIN 6926 ZINC 8 0/000.340.9124 (u. 2) 	OBSOLETE
	<ul style="list-style-type: none"> ● SHOCK ABSORBER BOLT NUT 0/000.340.0182 (u. 2) 	
23	<ul style="list-style-type: none"> ● STEERING SHAFT ENDURO 2018 BE15025CT-CLJ-1 (u. 1) 	
24	<ul style="list-style-type: none"> ● SET MULTIFUNCION "EVEREST" EC 2018 0/001.000.9100 (u. 1) 	
25	<ul style="list-style-type: none"> ● ARANDELA SCHNORR M4 INOX 0/000.440.0043 (u. 2) 	
	<ul style="list-style-type: none"> ● ARANDELA ALA ANCHA DIN 522 M4 INOX 0/000.440.0044 (u. 2) 	
26	<ul style="list-style-type: none"> ● GROMMET 0/000.360.4002 (u. 2) 	
27	<ul style="list-style-type: none"> ● BRACKET MULTIFUNCION EC 2018 0/000.980.9108 (u. 1) 	
28	<ul style="list-style-type: none"> ● CASQUILLO MARCADOR MR 0/000.480.9130 (u. 2) 	
29	<ul style="list-style-type: none"> ● SCREW ISO 7380 Torx T-20 M4x20 INOX 0/000.460.0079 (u. 2) 	
30	<ul style="list-style-type: none"> ● SCREW ESP.6x7 DRACOMET 0/000.460.9161 (u. 1) 	
32	<ul style="list-style-type: none"> ● TT MULTIFUNCTION HOSE 0/001.010.9100 (u. 1) 	
33	<ul style="list-style-type: none"> ● RED STICKER SUSPENSION KYB 200 x 87 mm 0/000.390.9142 (u. 1) 	
	<ul style="list-style-type: none"> ● BLACK STICKER SUSPENSION KYB 200 x 87 mm 0/000.390.9149 (u. 1) 	
34	<ul style="list-style-type: none"> ● STICKER CATADRIOPTICO 0/000.630.9102 (u. 2) 	

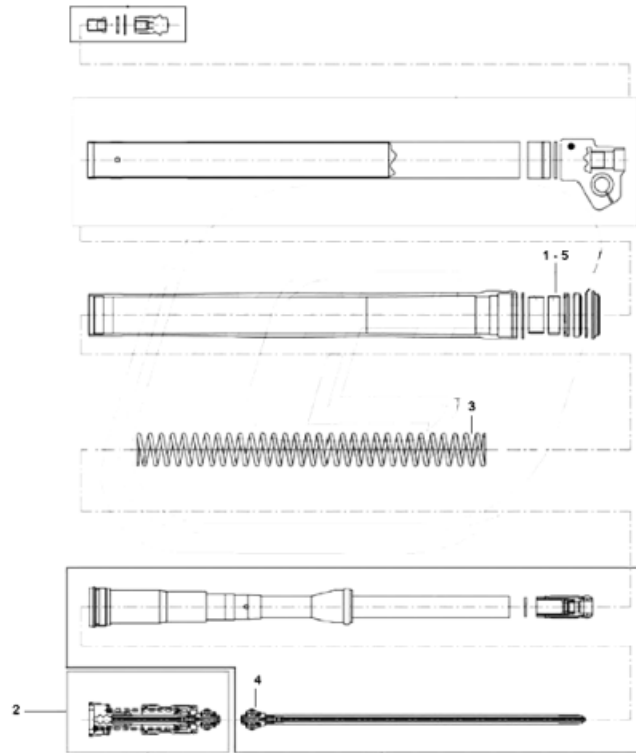
FORK PARTS



1	<ul style="list-style-type: none"> ● SET CAP SUSPENSION KAYABA ENDURO BE20240CT-CLJ-1 (u. 1)
2	<ul style="list-style-type: none"> ● SET HIDRAULIC SUSPENSION KAYABA ENDURO BE20220GG-CLJ-1 (u. 1)
3A	<ul style="list-style-type: none"> ● SET SPRINGS SUSPENSION 4.0 KAYABA ENDURO BE20170CT-CLJ-1 (u. 2)
3B	<ul style="list-style-type: none"> ● SET SPRINGS SUSPENSION 4.2 KAYABA ENDURO BE20171CT-CLJ-1 (u. 2)
3C	<ul style="list-style-type: none"> ● SET SPRINGS SUSPENSION 4.4 KAYABA ENDURO BE20172CT-CLJ-1 (u. 2)
4	<ul style="list-style-type: none"> ● SET. BOTTEL SUSPENSION KAYABA ENDURO BE20100CT-CLJ-1 (u. 1)
5	<ul style="list-style-type: none"> ● RING RETENCION SUSPENSION KAYABA ENDURO BE20145GG-CLJ-1 (u. 1)
6	<ul style="list-style-type: none"> ● GLACIER FORK-LEG SUSPENSION KAYABA ENDURO BE20150GG-CLJ-1 (u. 1)
7	<ul style="list-style-type: none"> ● GLACIER BAR SUSPENSION KAYABA ENDURO BE20151GG-CLJ-1 (u. 1)
8	<ul style="list-style-type: none"> ● WASHER SUSPENSION KAYABA ENDURO BE20186GG-CLJ-1 (u. 1)
9	<ul style="list-style-type: none"> ● SET RETENES SUSPENSION KAYABA ENDURO BE20140CT-CLJ-1 (u. 1)
10	<ul style="list-style-type: none"> ● SET CIRCLIP SUSPENSION KAYABA ENDURO BE20135GG-CLJ-1 (u. 1)
11	<ul style="list-style-type: none"> ● SET DUSTKEEPER SUSPENSION KAYABA ENDURO BE20130CT-CLJ-1 (u. 1)
12A	<ul style="list-style-type: none"> ● SET BAR SUSPENSION RIGHT KAYABA ENDURO GP 2018 BE20110CT-CRB-1 (u. 1)

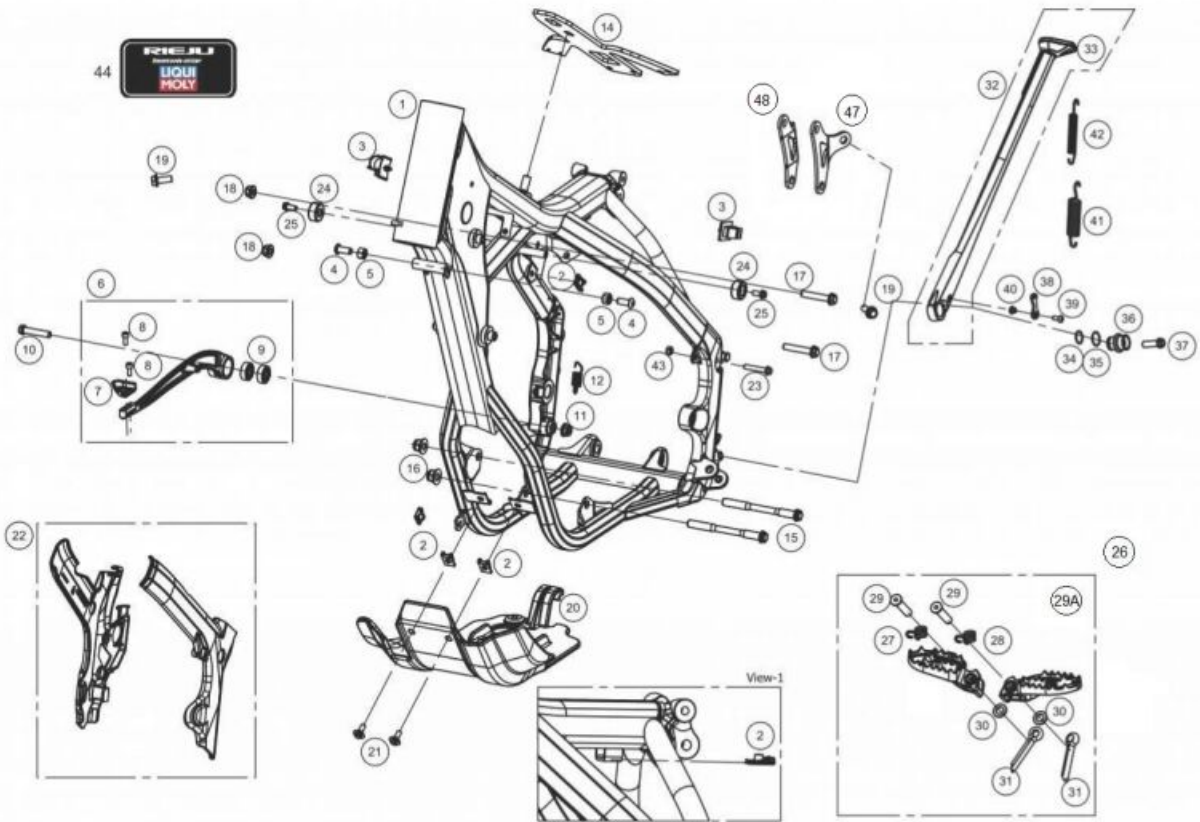
12B	● SET BAR SUSPENSION LEFT KAYABA ENDURO GP 2018 BE20115CT-CRB-1 (u. 1)
13	● CAP REGULACION EXTENSION SUSPENSION KAYABA ENDURO BE20120GG-CLJ-1 (u. 1)

KYB TOOLS



- | | |
|---|---|
| 1 | <ul style="list-style-type: none"> ● TOOL SEAL SUSPENSION KAYABA ENDURO
BE20225GG-CLJ-1 (u. 1) |
| 2 | <ul style="list-style-type: none"> ● TOOL CAP SUSPENSION KAYABA ENDURO
BE21105GG-CLJ-1 (u. 1) |
| 3 | <ul style="list-style-type: none"> ● TOOL BRACKET PISTON AJUSTE SUSPENSION KAYABA ENDUR
BE20230GG-CLJ-1 (u. 1) |
| 4 | <ul style="list-style-type: none"> ● TOOL CAP CARTRIDGE SUSPENSION KAYABA ENDURO
BE21106GG-CLJ-1 (u. 1) |
| 5 | <ul style="list-style-type: none"> ● TOOL INSERTADOR SEAL SUSPENSION KAYABA ENDURO
BE20235GG-CLJ-1 (u. 1) |

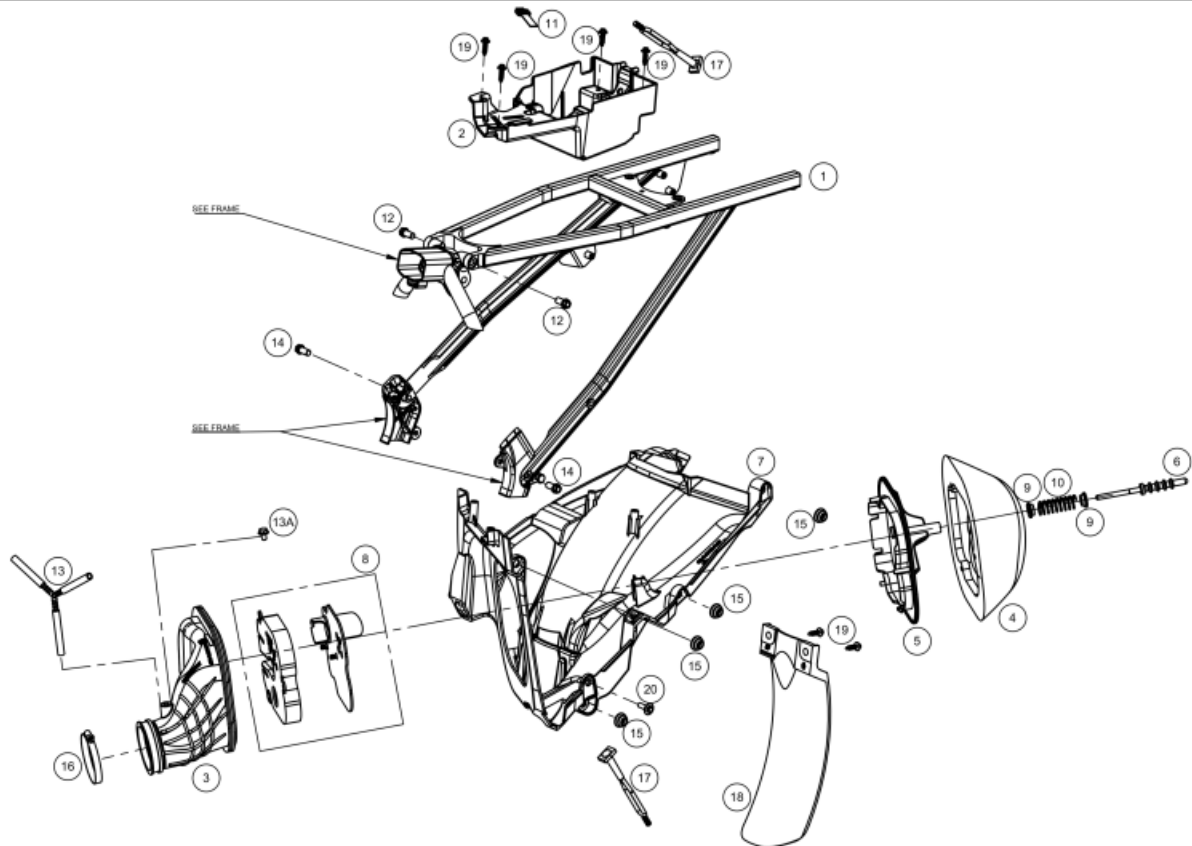
FRAME



1	<ul style="list-style-type: none"> ● FRAME EC 250 300 2T 2018 BLACK 0/000.010.9100 (u. 1)
2	<ul style="list-style-type: none"> ● NUT 6MM 0/000.340.9120 (u. 5)
3	<ul style="list-style-type: none"> ● CLIP (1E3J) SUJ. INST. ENDURO 2018 0/000.630.9100 (u. 2)
4	<ul style="list-style-type: none"> ● ALLEN BOLT 8x25 ISO 7380-1 ZN 10.9 0/000.460.9157 (u. 2)
5	<ul style="list-style-type: none"> ● ZINC STEERING STOPNUT M8X13X8 ISO 4033 ZINC 0/000.340.9109 (u. 2)
6	<ul style="list-style-type: none"> ● KICK BRAKE ENDURO 2018 0/000.730.9100 (u. 1)
7	<ul style="list-style-type: none"> ● PUNTERA KICK BRAKE BE130102510 (u. 1)
9	<ul style="list-style-type: none"> ● Bearing 628-2RS BE13025GG-CLJ-1 (u. 2)
10	<ul style="list-style-type: none"> ● TORNILLO DIN 912 Allen M8x45 Cal.8.8 Z/BLANCO 0/000.460.0382 (u. 1)
11	<ul style="list-style-type: none"> ● M8 NUT 0/000.340.0180 (u. 1)
12	<ul style="list-style-type: none"> ● BRAKE PEDAL WIRE 0/000.470.9100 (u. 1)
14	<ul style="list-style-type: none"> ● RUBBER PROT.TANK GASOL.ENDURO 2018 0/000.220.9116 (u. 1)
15	<ul style="list-style-type: none"> ● SCREW 10x113 GEOMET 10.9 0/000.460.9132 (u. 2)
16	<ul style="list-style-type: none"> ● NUT 10mm (1.25) ZINC 8 0/000.340.9123 (u. 2)

17	<ul style="list-style-type: none"> SPECIAL SCREW 8x50 GEOMET 10.9 0/000.460.9141 (u. 1)
19	<ul style="list-style-type: none"> SREW SPECIAL 8x20 GEOMET 10.9 0/000.460.9136 (u. 4)
	<ul style="list-style-type: none"> REAR CHASSIS ATTACHMENT WASHER 0/000.440.0160 (u. 4)
20	<ul style="list-style-type: none"> TUERCA DIN 6927 M8 Cal.8 Z/BLANCO 0/000.340.0188 (u. 4)
	<ul style="list-style-type: none"> ENGINE AND LINK GUARD BLACK 0/000.220.9152 (u. 1)
21	<ul style="list-style-type: none"> BOLT 6X12 0/000.460.9101 (u. 2)
22	<ul style="list-style-type: none"> KIT PROTECTORES LATERALES CHASIS MR NEGROS 0/K00.220.9103 (u. 1)
23	<ul style="list-style-type: none"> SPECIAL BOLT 6X35 DIN 6921 GEOMET 0/000.460.9124 (u. 1)
24	<ul style="list-style-type: none"> SILENTBLOCK+WASHER TANK GASOL. 0/000.360.9106 (u. 2)
25	<ul style="list-style-type: none"> HEX BOLT WASHER 6x14 (Fork Brace) DIN 6921 0/000.460.9118 (u. 2)
26	<ul style="list-style-type: none"> RACING ALUMINIUM PUNK FOOTREST BLACK 0/000.740.9107 (u. 1)
27	<ul style="list-style-type: none"> FOOTREST SRPING S3 R 0/000.470.9111 (u. 1)
28	<ul style="list-style-type: none"> FOOTREST SRPING S3 L 0/000.470.9112 (u. 1)
29	<ul style="list-style-type: none"> FOOTREST PIN S3 MR 0/000.840.9104 (u. 2)
29a	<ul style="list-style-type: none"> SPRING KIT + FOOTREST PINS S3 MR 0/K00.470.9100 (u. 1)
30	<ul style="list-style-type: none"> WASHER 10.5 X 20 X 2 ZINCADA DIN 125 0/000.440.9133 (u. 2)
31	<ul style="list-style-type: none"> PIN DIN 94 ISO 1234 0/000.840.9100 (u. 2)
32	<ul style="list-style-type: none"> CJTO. STAND MR RACING COMPLETE 0/K00.210.9100 (u. 1)
33	<ul style="list-style-type: none"> BASEL STAND ENDURO 2018 0/000.570.9100 (u. 1)
34	<ul style="list-style-type: none"> O-RING BUSH STAND 15x1,5 0/000.490.9100 (u. 1)
35	<ul style="list-style-type: none"> O-RING BUSH STAND 17x1,5 0/000.490.9101 (u. 1)
36	<ul style="list-style-type: none"> CASQUILLO CABALLETE COMPETICIÓN 0/000.480.9129 (u. 1) - <i>NO HOMOLOG</i>
	<ul style="list-style-type: none"> BUSH FIX .STAND ENDURO 2018 0/000.480.9102 (u. 1)
37	<ul style="list-style-type: none"> SCREW SPECIAL 8X25 GEOMET 10.9 0/000.460.9137 (u. 1)
	<ul style="list-style-type: none"> SCREW ISO 7380 Torx T-40 M8x25 INOX 0/000.460.0081 (u. 1) - <i>NO HOMOLOG</i>
38	<ul style="list-style-type: none"> LCAM STAND ENDURO 2018 0/000.830.9100 (u. 1)

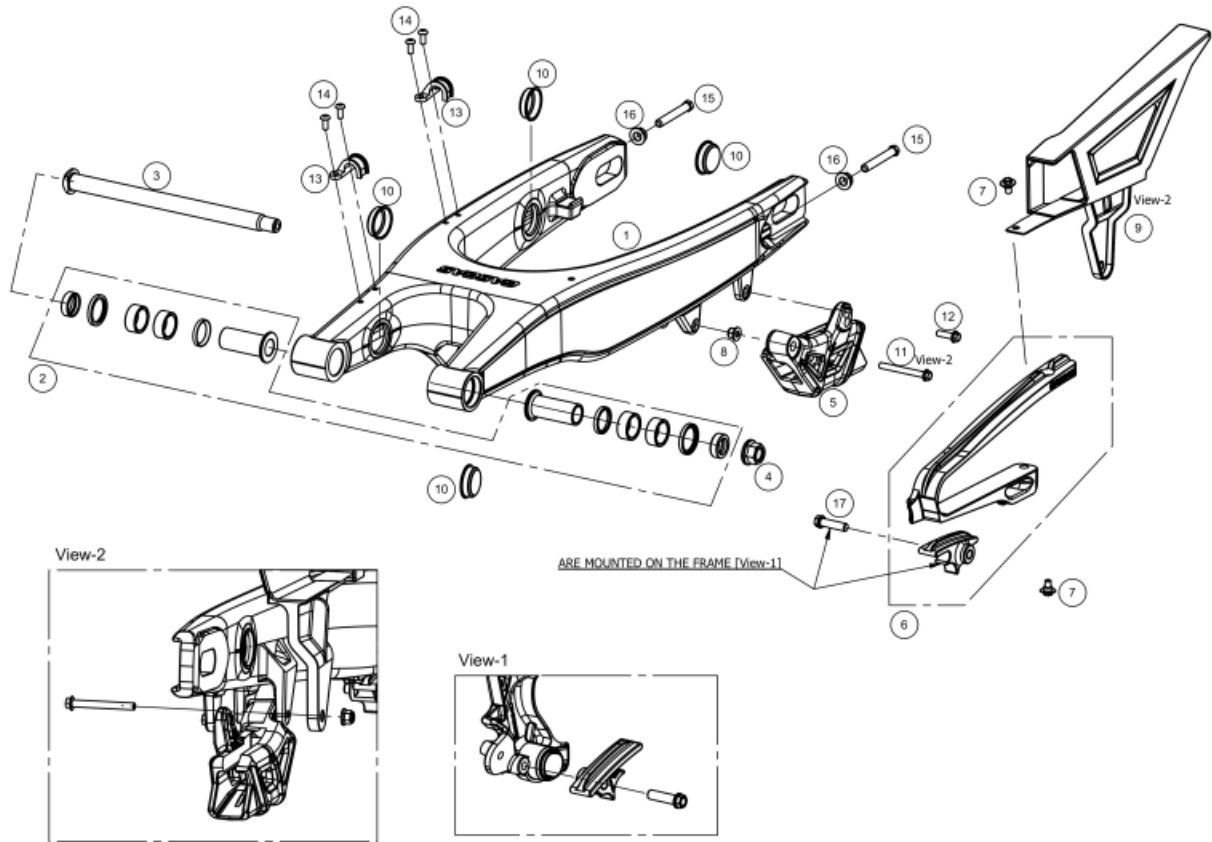
	<ul style="list-style-type: none"> ● TORNILLO ISO 7380 Torx T-25 con arandela M5x16 INOX 0/000.460.0083 (u. 1) 	
39	<ul style="list-style-type: none"> ● TORNILLO ISO 7380 Torx T-25 con arandela M5x16 INOX 0/000.460.0083 (u. 1) ● ALLEN BOLT ULS 5x16 ISO 7380-1 ZINC 12.9 0/000.460.9155 (u. 1) 	OBSOLETE
40	<ul style="list-style-type: none"> ● BUSH LCAM STAND ENDURO 0/000.480.9103 (u. 1) 	
41	<ul style="list-style-type: none"> ● SPRING EXTERIOR STAND ENDURO 2018 0/000.470.9103 (u. 1) 	
42	<ul style="list-style-type: none"> ● SPRING INTERIOR STAND ENDURO 2018 0/000.470.9104 (u. 1) 	
43	<ul style="list-style-type: none"> ● NYLOCK NUT 6mm DIN 985 ZN CR3 6 0/000.340.9113 (u. 1) 	
44	<ul style="list-style-type: none"> ● CALCA RECOMENDACIÓN ACEITE 0/000.390.0000 (u. 1) 	OBSOLETE
47	<ul style="list-style-type: none"> ● TIRANTE CULATA LH MR 2022 0/000.980.9126 (u. 1) 	
48	<ul style="list-style-type: none"> ● TIRANTE CULATA RH MR 2022 0/000.980.9125 (u. 1) 	

REAR FRAME


1	<ul style="list-style-type: none"> EC 2018 SUBCHASSIS KIT WITH RIVETS 0/K00.010.9102 (u. 1)
2	<ul style="list-style-type: none"> BRACKET BATTERY -CDI-RELE STARTER EC 2018 0/000.570.9101 (u. 1)
3	<ul style="list-style-type: none"> MANIFOLD C.FILTER.EC 2018 0/000.360.9113 (u. 1)
4	<ul style="list-style-type: none"> AIR FILTER FWF 0/001.070.9101 (u. 1)
5	<ul style="list-style-type: none"> HOLDER FILTER EC 2018 0/000.570.9104 (u. 1)
6	<ul style="list-style-type: none"> FILTER SUPPORT ROD 0/000.980.9117 (u. 1)
7	<ul style="list-style-type: none"> C.FILTER.ENDURO 2018 0/000.570.9103 (u. 1)
8	<ul style="list-style-type: none"> KIT RESTRICTOR FILTRO DE AIRE BE79800CT-CLJ-1 (u. 1)
9	<ul style="list-style-type: none"> AIR FILTER NYLON WASHER 0/000.440.9100 (u. 2)
10	<ul style="list-style-type: none"> FILTER BOX SPRING 0/000.470.9105 (u. 1)
11	<ul style="list-style-type: none"> CDI hold-down band 0/000.360.9101 (u. 1)
12	<ul style="list-style-type: none"> SCREW SPECIAL 8X25 GEOMET 10.9 0/000.460.9137 (u. 2)
13A	<ul style="list-style-type: none"> M6X12 BLACK ESPECIAL PLASTIC SCREW 0/000.460.9109 (u. 1)
13	<ul style="list-style-type: none"> SET TUBE SVAPORIZADOR BLOW BY ENDURO 2018 0/000.290.9106 (u. 1)

14	<ul style="list-style-type: none">• SCREW SPECIAL 8X16 GEOMET 10.9 0/000.460.9135 (u. 2)
15	<ul style="list-style-type: none">• SILENTBLOCK NUMBER-PLATE LEFT.ENDURO 2018 0/000.360.9109 (u. 4)
16	<ul style="list-style-type: none">• CLAMP 50-70/9 INOX FE 0/000.680.9101 (u. 1)
17	<ul style="list-style-type: none">• RUBBER STAND EC 2015 0/000.360.9100 (u. 2)
18	<ul style="list-style-type: none">• PROT.SHOCK EC 2018 0/000.220.9117 (u. 1)
19	<ul style="list-style-type: none">• TORN. ESP. ROSCA PLASTICO Hex.6 C/Arandela 6x20 0/000.460.9178 (u. 6)
20	<ul style="list-style-type: none">• BOLT ESP. 6X16 DRACOMET 0/000.460.9100 (u. 1)
21	<ul style="list-style-type: none">• CRANKCASE VENT NIPPLE D.3 0/000.630.9105 (u. 1)

SWINGARM

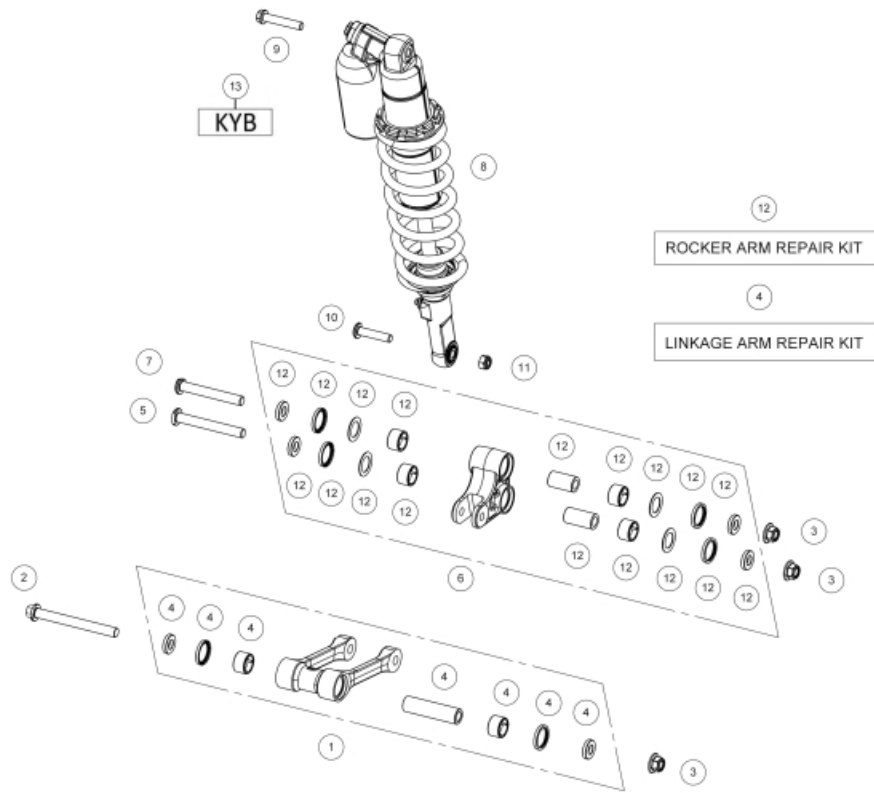


- 1 ● SWINGARM ENDURO 2018
0/000.020.9100 (u. 1)
- 2 ● SWINGARM SET REPARATION
BE41000CT-CLJ-1 (u. 1)
- 3 ● AXLE SWINGARM ENDURO 2018
0/000.190.9101 (u. 1)
- 4 ● SWINGARM NUT
0/000.340.9103 (u. 1)
- 5 ● GUIDE CHAIN
0/000.710.9100 (u. 1)
- 6 ● CHAIN SLIDER KIT 3 COMP.
BE43015CT-CLJ-1 (u. 1)
- 7 ● SCREW ESP.6x7 DRACOMET
0/000.460.9161 (u. 2)
- 8 ● TUERCA AUTOBLOC. M-6 C/ARAND DIN-6926 ZINC
0/000.340.9117 (u. 1)
- 8 ● PASSENGER FOOTREST NUT
0/000.340.0170 (u. 1)
- 8 ● PASSENGER FOOTREST NUT
0/000.340.0170 (u. 1)
- 9 ● PROT.CHAIN HOMOL.EC 2018
0/000.220.9107 (u. 1)
- 10 ● CAP SWINGARM EC 2018 (465658)
0/000.410.9100 (u. 4)
- 11 ● SPECIAL SCREW 6X55 DIN 6921 DRACOMET 8.8
0/000.460.9127 (u. 1)

OBSOLETE

	<ul style="list-style-type: none">● TORN.ESP. DIN 6921 Hex.8 TX30 M6x20 Cal.10.9 GEOMET 0/000.460.9181 (u. 1)
12	<ul style="list-style-type: none">● TORN.ESP. DIN 6921 Hex.8 TX30 M6x20 Cal.10.9 GEOMET 0/000.460.9181 (u. 1)● BOLT 6x20 DIN 6921 GEOMET 10.9 0/000.460.9120 (u. 1) <p style="text-align: right;">OBSOLETE</p>
13	<ul style="list-style-type: none">● SWINGARM HOSE HOLDER 0/000.630.9101 (u. 2)
14	<ul style="list-style-type: none">● HEAD SCREW 5x15 DIN 6921 GEOMET 10.9 0/000.460.9115 (u. 4)
15	<ul style="list-style-type: none">● WHEEL TENSOR SCREW 0/000.460.9105 (u. 2)
16	<ul style="list-style-type: none">● M8 FLANGE NUT DIN 6927 ACERO 8 0/000.340.9118 (u. 2)
17	<ul style="list-style-type: none">● SPECIAL SCREW 8x35 GEOMET 10.9 0/000.460.9139 (u. 1)

SHOCK ABSORBER

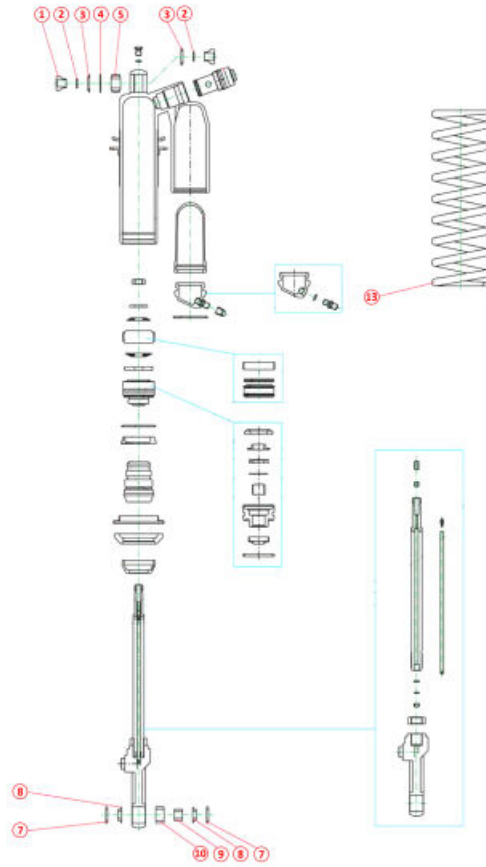


1	<ul style="list-style-type: none"> ● SET LINK ENDURO 2018 BE34000CT-CLJ-1 (u. 1)
2	<ul style="list-style-type: none"> ● SCREW AXLE LINK FRAME 22X128 0/000.460.9102 (u. 1)
3	<ul style="list-style-type: none"> ● NUT M12x1.25 .ZINC DIN 6923 ZINC 0/000.340.9115 (u. 3)
4	<ul style="list-style-type: none"> ● CONECTING ROD REPAIR EC KIT 2018 BE32035CT-CLJ-1 (u. 1)
5	<ul style="list-style-type: none"> ● SCREW AXLE LINK BALANCIN 22X99.5 0/000.460.9103 (u. 1)
6	<ul style="list-style-type: none"> ● SET BALANCIN ENDURO 2018 BE32000CT-CLJ-1 (u. 1)
7	<ul style="list-style-type: none"> ● SCREW AXLE BALANCIN SWINGARM 22X92.5 0/000.460.9104 (u. 1)
8	<ul style="list-style-type: none"> ● REAR SHOCK ABSORBER EC 2018 KYB 0/000.180.9100 (u. 1)
9	<ul style="list-style-type: none"> ● SCREW 10x60 ISO 898-1 GEOMET 10.9 0/000.460.9131 (u. 1) ● PERNO 10X55 10.9 GEOMET ISO 898-1 T0210055 (u. 1)
	OBSOLETE
10	<ul style="list-style-type: none"> ● SCREW AXLE INF.SHOCK 20X48.5 0/000.460.9107 (u. 1)
11	<ul style="list-style-type: none"> ● NUT AUTOBLOC.M10X125 DIN 985 ZINC 8 0/000.340.9110 (u. 1)
12	<ul style="list-style-type: none"> ● ROCKER ARM REPAIR KIT EC 2018 BE34035CT-CLJ-1 (u. 1)

13

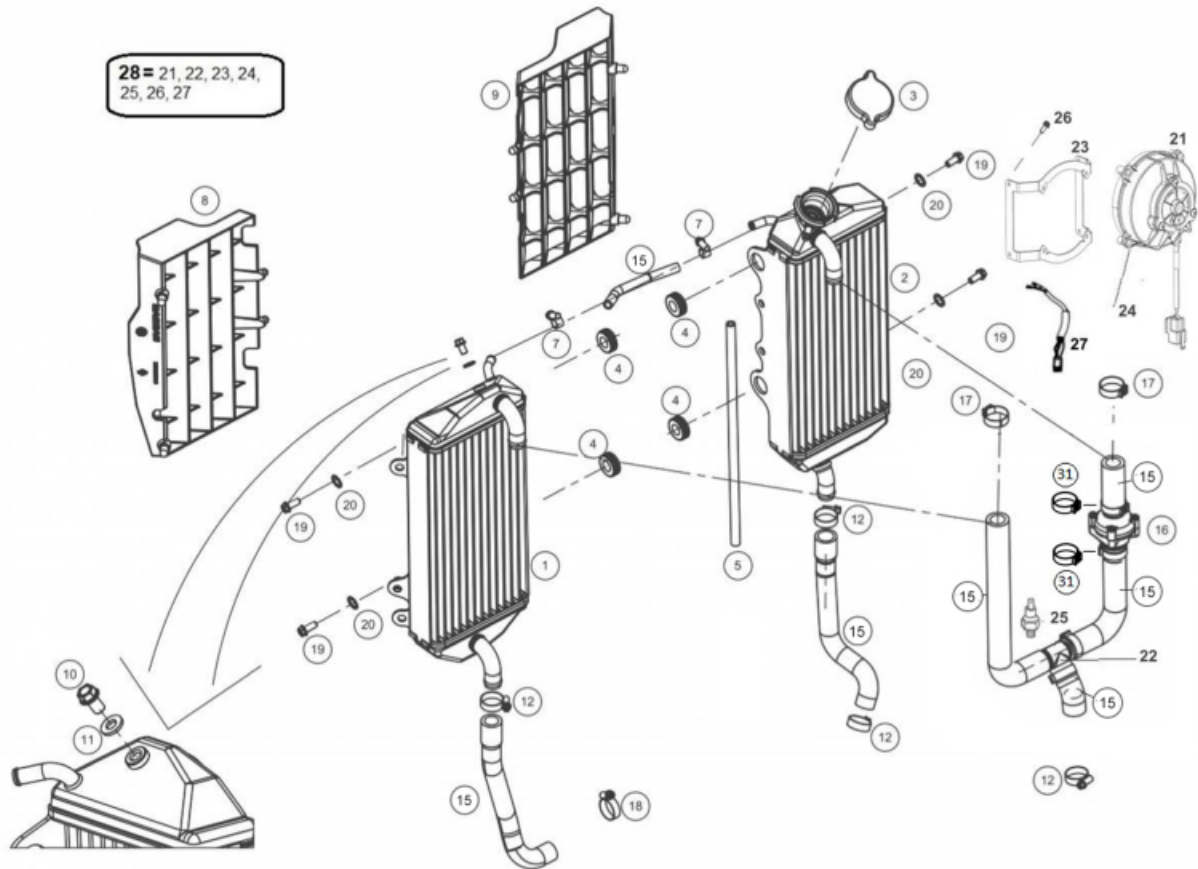
- RED STICKER SHOCKABSORBER KYB
0/000.390.9158 (u. 1)
- BLACK STICKER SHOCKABSORBER KYB
0/000.390.9159 (u. 1)

SHOCK ABSORBER



1	<ul style="list-style-type: none"> BUSH ROTULA SUP. SUSPENSION KAYABA ENDURO BE20210GG-CLJ-1 (u. 1)
2	<ul style="list-style-type: none"> O-RING BALL-JOINT SUSPENSION KAYABA ENDURO BE30025GG-CLJ-1 (u. 3)
3	<ul style="list-style-type: none"> SEAL BALL-JOINT SUPERIOR SUSPENSION KAYABA ENDURO BE23295GG-CLJ-1 (u. 3)
4	<ul style="list-style-type: none"> WASHER BALL-JOINT SUPERIOR SUSPENSION KAYABA ENDUR BE232990GG-CLJ-1 (u. 1)
5	<ul style="list-style-type: none"> BALL-JOINT SUPERIOR SUSPENSIONRECHA KAYABA ENDURO BE23250GG-CLJ-1 (u. 1)
7	<ul style="list-style-type: none"> DUST KEEPER SEAL BALL-JOINT LOWER KAYABA ENDURO BE23280GG-CLJ-1 (u. 2)
8	<ul style="list-style-type: none"> BUSH BALL-JOINT LOWER SUSPENSION KAYABA ENDURO BE23285GG-CLJ-1 (u. 1)
9	<ul style="list-style-type: none"> BRG. NOZZLE LOWER SUSPENSION KAYABA ENDURO BE36060GG-CLJ-1 (u. 1)
10	<ul style="list-style-type: none"> BUSHER LOWER SUSP. KAYABA ENDURO BE23300GG-CLJ-1 (u. 1)
13	<ul style="list-style-type: none"> SPRING SHOCK ABSORBER 46 mm 54n SUSPENSION KAYABA BE30012GG-CLJ-1 (u. 1)
	<ul style="list-style-type: none"> SPRING SHOCK ABSORBER 46 mm 52n SUSPENSION KAYABA BE30011GG-CLJ-1 (u. 1)
	<ul style="list-style-type: none"> SPRING SHOCK ABSORBER 46 mm 50n SUSPENSION KAYABA BE30010GG-CLJ-1 (u. 1)

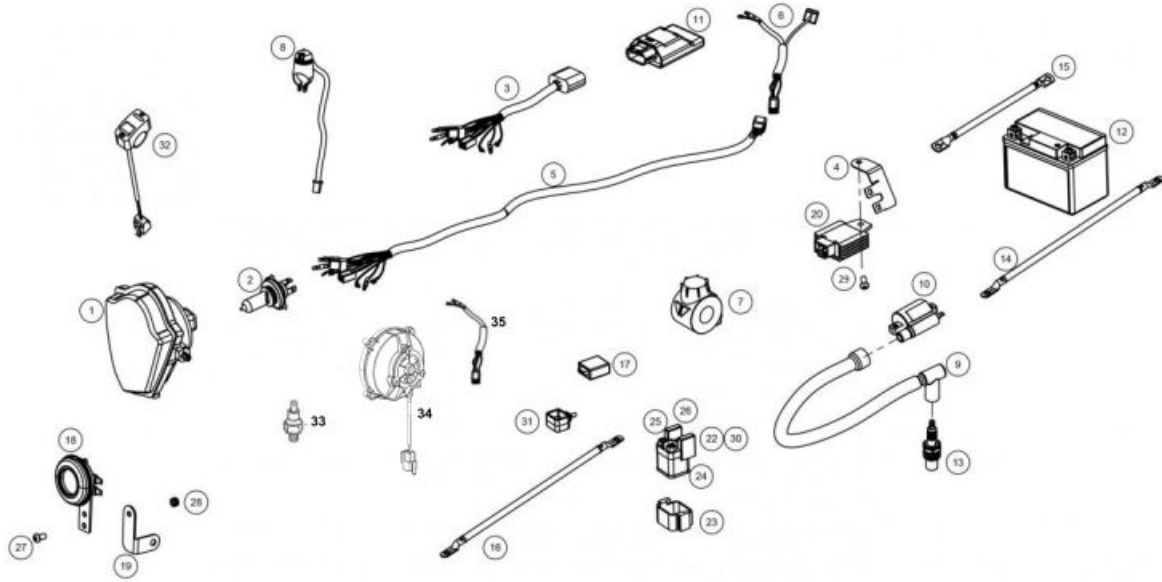
RADIATOR



1	<ul style="list-style-type: none"> LEFT RADIATOR ENDURO 2018 0/000.580.9103 (u. 1)
2	<ul style="list-style-type: none"> RIGHT RADIATOR WITH 2 SILENBLOCK 2019 0/000.580.9102 (u. 1)
3	<ul style="list-style-type: none"> TAPON RADIADOR MR FLOREADO 1.8 REBAJADO 0/000.410.9112 (u. 1)
4	<ul style="list-style-type: none"> SILENBLOCK RADIADOR EC BIE500132031 (u. 4)
5	<ul style="list-style-type: none"> RADIATOR BREATHE HOSE 5X8 ù 39CM 0/000.290.9117 (u. 1)
7	<ul style="list-style-type: none"> COLLARTORRO SIN FIN 10-16 (10107270010) INOX FE 0/000.680.9108 (u. 2)
8	<ul style="list-style-type: none"> REJILLA RADIADOR IZQUIERDA MR AZUL 0/000.220.9171 (u. 1)
9	<ul style="list-style-type: none"> REJILLA RADIADOR DERECHA MR AZUL 0/000.220.9170 (u. 1)
10	<ul style="list-style-type: none"> SCREW SPECIAL 6X10+WASHER GEOMET 10.9 0/000.460.9133 (u. 1)
11	<ul style="list-style-type: none"> HEAD BOLT WASHE 6x10x1.5 0/000.440.9122 (u. 1)
12	<ul style="list-style-type: none"> COLLARTORRO WITHOUT FIN 16-27 (10107270027) INOX F 0/000.680.9107 (u. 4)
15	<ul style="list-style-type: none"> KIT MANGUITOS SILICONA AZUL CELESTE 0/R00.290.9100 (u. 1)
16	<ul style="list-style-type: none"> TERMOSTATO RADIADOR 0/001.010.9103 (u. 1)
17	<ul style="list-style-type: none"> ABRAZADERA COBRA Ø24/8 W4 0/000.680.0562 (u. 2)

18	<ul style="list-style-type: none"> ABRAZADERA COBRA Ø20/8 W4 0/000.680.0566 (u. 1)
19	<ul style="list-style-type: none"> HEX BOLT WASHER 6x14 (Fork Brace) DIN 6921 0/000.460.9118 (u. 4)
20	<ul style="list-style-type: none"> WASHER 6X20X2 0/000.440.9112 (u. 4)
21	<ul style="list-style-type: none"> ELECTRIC FAN 0/005.060.9100 (u. 1)
22	<ul style="list-style-type: none"> T TYPE CONNECTOR MR RADIATOR 0/000.290.9119 (u. 1)
23	<ul style="list-style-type: none"> FAN SUPPORT 0/000.980.9124 (u. 1)
24	<ul style="list-style-type: none"> SCREW 5X12 0/000.460.0090 (u. 4)
25	<ul style="list-style-type: none"> TEMPERATURE SENSOR 0/001.010.9102 (u. 1)
26	<ul style="list-style-type: none"> RIVET DIN 7337 / B 4.8x10 L / BLACK 0/000.330.0053 (u. 4)
27	<ul style="list-style-type: none"> ELECTRICAL FAN 0/000.160.9111 (u. 1)
28	<ul style="list-style-type: none"> SET MR ELECTRO + BRACKET + INSTALLATION 0/K05.060.9100 (u. 1)
31	<ul style="list-style-type: none"> ABRAZARERA COBRA Ø26/8 W4 0/000.680.0567 (u. 2)

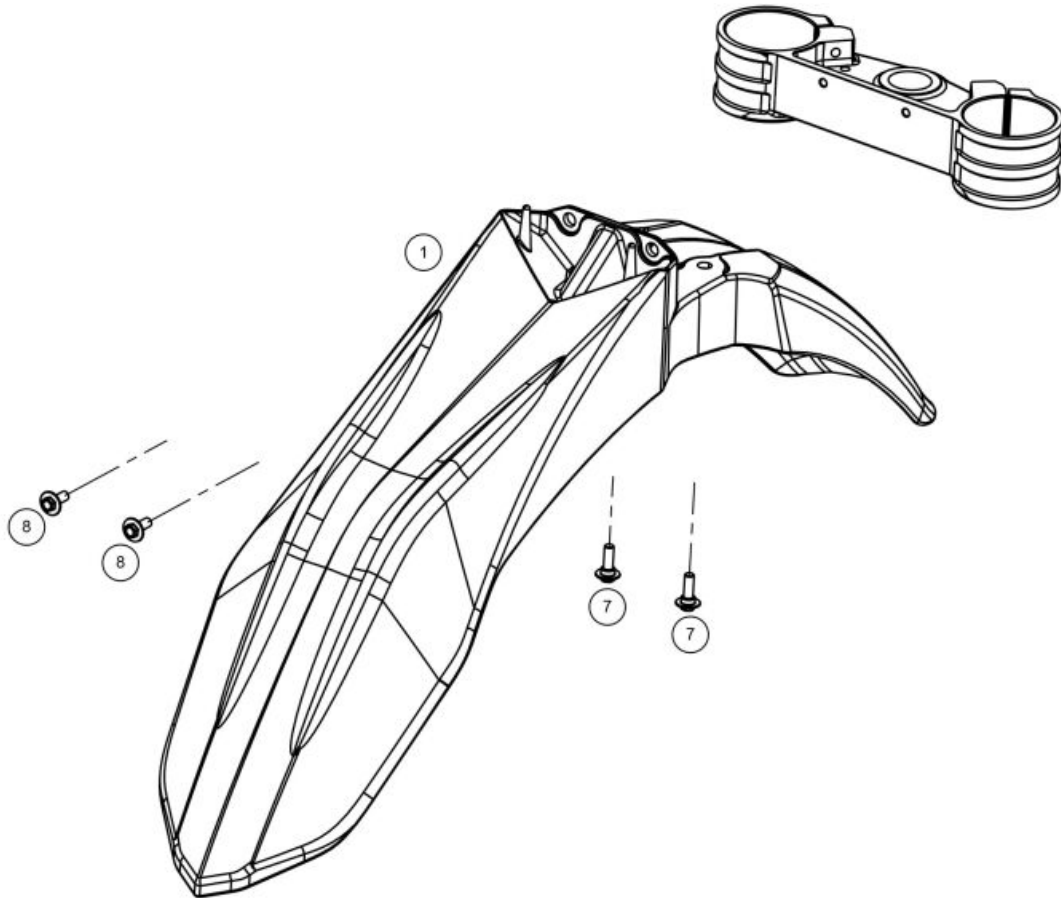
ELECTRICAL PARTS



1	<ul style="list-style-type: none"> ● HEADLIGHT WITH BULB COMPLETE PT-107 0/000.600.0270 (u. 1)
2	<ul style="list-style-type: none"> ● HS1 12V3535W HALOGEN BULB L300125 (u. 1)
3	<ul style="list-style-type: none"> ● INSTALATION EC 0/000.160.9101 (u. 1)
4	<ul style="list-style-type: none"> ● BRACKET FIX .CONECTORES IGNITION ENDURO 2018 0/000.980.9110 (u. 1)
5	<ul style="list-style-type: none"> ● MAIN ELECTRICAL INSTALLATION MR 0/000.160.9112 (u. 1)
6	<ul style="list-style-type: none"> ● INST.LIGHT NUM-PLATE ENDURO 2018 0/000.160.9103 (u. 1)
7	<ul style="list-style-type: none"> ● STARTER SWITCH ENDURO 2018 0/000.720.9101 (u. 1)
8	<ul style="list-style-type: none"> ● PULSER PRING TRIAL 2015 0/000.720.9102 (u. 1)
9	<ul style="list-style-type: none"> ● SPARK PLUG CAP NGK 0/005.110.9100 (u. 1)
10	<ul style="list-style-type: none"> ● IGNITION COIL 0/005.070.9100 (u. 1)
11	<ul style="list-style-type: none"> ● SET CDI PROGRAMMED ENDURO GP 300 2019 EE51100CT-CSK-2 (u. 1)
12	<ul style="list-style-type: none"> ● BATERIA BS LITHIUM - BSLI-02 0/000.900.9103 (u. 1)
	<ul style="list-style-type: none"> ● BATTERY LITIUM 4.0 Ah, HJTZ7S-FPZ 0/000.900.9100 (u. 1)
	OBSELETE
13	<ul style="list-style-type: none"> ● BATERIA BS LITHIUM - BSLI-02 0/000.900.9103 (u. 1)
	<ul style="list-style-type: none"> ● SPARK PLUG DENSO W24ESRU 0/005.110.9101 (u. 1)
14	<ul style="list-style-type: none"> ● CABLE POSITIVE BATTERY EC 2019 0/000.160.9105 (u. 1)
15	<ul style="list-style-type: none"> ● CAB. NEGATIVE BATTERY 0/000.160.9104 (u. 1)
16	<ul style="list-style-type: none"> ● CABLE RELE A MOTOR ARRANQUE 2019 0/000.160.9107 (u. 1)

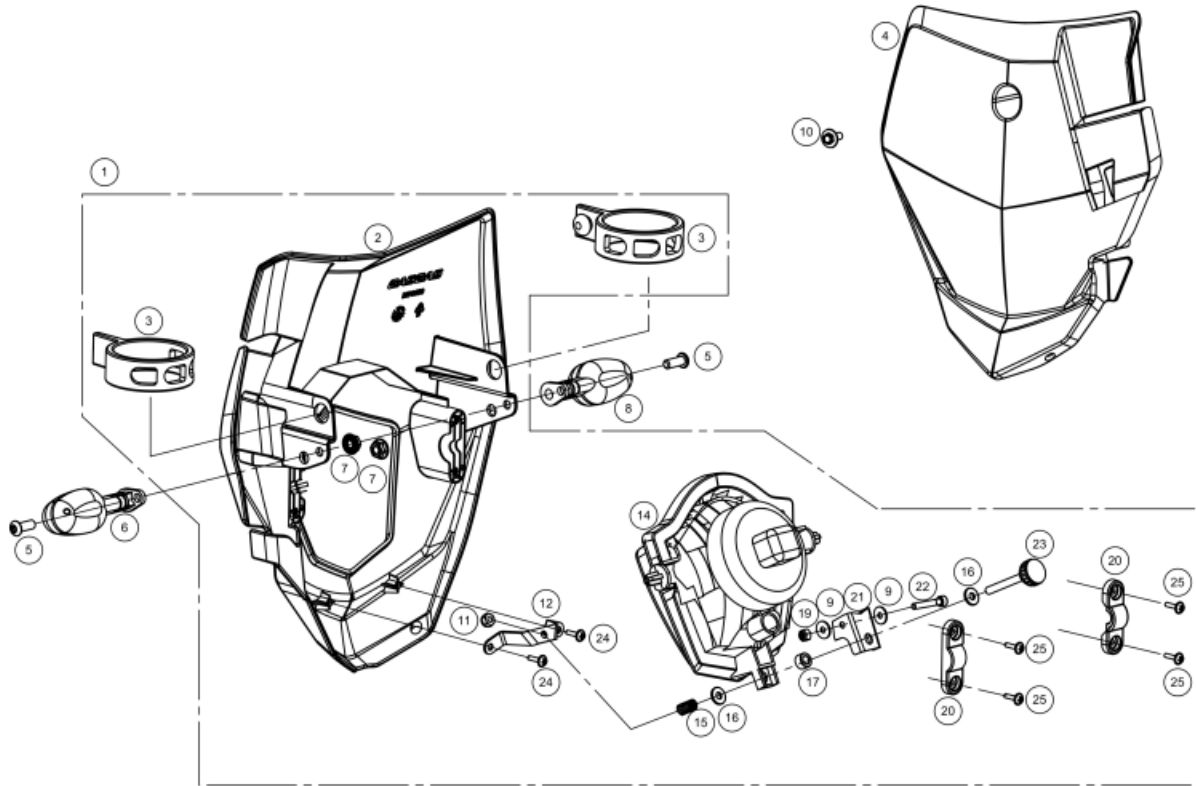
17	<ul style="list-style-type: none"> ● MODUL DIODES SHOTKY 0/001.200.9100 (u. 1) 	
18	<ul style="list-style-type: none"> ● HORN CLASS II TYPE DL128J - 12V 0/000.420.5011 (u. 1) 	
19	<ul style="list-style-type: none"> ● BRACKET HORN ENDURO 2018 0/000.980.9107 (u. 1) 	
20	<ul style="list-style-type: none"> ● REGULATOR 0/005.070.9101 (u. 1) 	
21	<ul style="list-style-type: none"> ● ELECTRICAL FAN 0/000.160.9111 (u. 1) 	
22	<ul style="list-style-type: none"> ● RELE ARRANQUE (RC19-005[®])STARTER RELA 00020 A7343-888-00-000 0/001.200.9103 (u. 1) 	
	<ul style="list-style-type: none"> ● STARTING RELAY 0/001.200.9101 (u. 1) 	OBSOLETE
23	<ul style="list-style-type: none"> ● RUBBER BRACKET RELE STARTER FIJ.VERTICAL EE85205GG-CAK-1 (u. 1) 	
24	<ul style="list-style-type: none"> ● FUSE PROTECTION CAP (B4694-730-00-001) EE851052511 (u. 2) 	
25	<ul style="list-style-type: none"> ● WASHER Ø6 0/000.440.0240 (u. 2) 	
	<ul style="list-style-type: none"> ● ARANDELA EN ABANICO DIN 6798 ZINC 0/000.440.9127 (u. 2) 	OBSOLETE
26	<ul style="list-style-type: none"> ● SCREW SPECIAL 6X10+WASHER GEOMET 10.9 0/000.460.9133 (u. 2) 	
27	<ul style="list-style-type: none"> ● BOLT WITH WASHER AND FIXING ESP 6X12 ISO 7380-2 IN 0/000.460.9108 (u. 1) 	
28	<ul style="list-style-type: none"> ● NUT 6MM 0/000.340.9120 (u. 1) 	
29	<ul style="list-style-type: none"> ● HEX BOLT WASHER 6x14 (Fork Brace) DIN 6921 0/000.460.9118 (u. 1) 	
30	<ul style="list-style-type: none"> ● FUS. UNI. 20A 0/000.910.9100 (u. 2) 	
31	<ul style="list-style-type: none"> ● DIODES MODULE RUBBER SUPPORT 0/000.360.9111 (u. 1) 	
32	<ul style="list-style-type: none"> ● SWITCH DOBBLE MAP 0/000.720.9100 (u. 1) 	
33	<ul style="list-style-type: none"> ● TEMPERATURE SENSOR 0/001.010.9102 (u. 1) 	
34	<ul style="list-style-type: none"> ● ELECTRIC FAN 0/005.060.9100 (u. 1) 	
35	<ul style="list-style-type: none"> ● ELECTRICAL FAN 0/000.160.9111 (u. 1) 	

FRONT FENDER



- | | |
|----------|---|
| 1 | <ul style="list-style-type: none"> ● FRONT FENDER EC 2018 NO STIKER 0/000.050.9101 (u. 1) |
| 7 | <ul style="list-style-type: none"> ● BOLT ESP. 6X16 DRACOMET 0/000.460.9100 (u. 2) |
| 8 | <ul style="list-style-type: none"> ● SCREW ESP.6x7 DRACOMET 0/000.460.9161 (u. 2) |

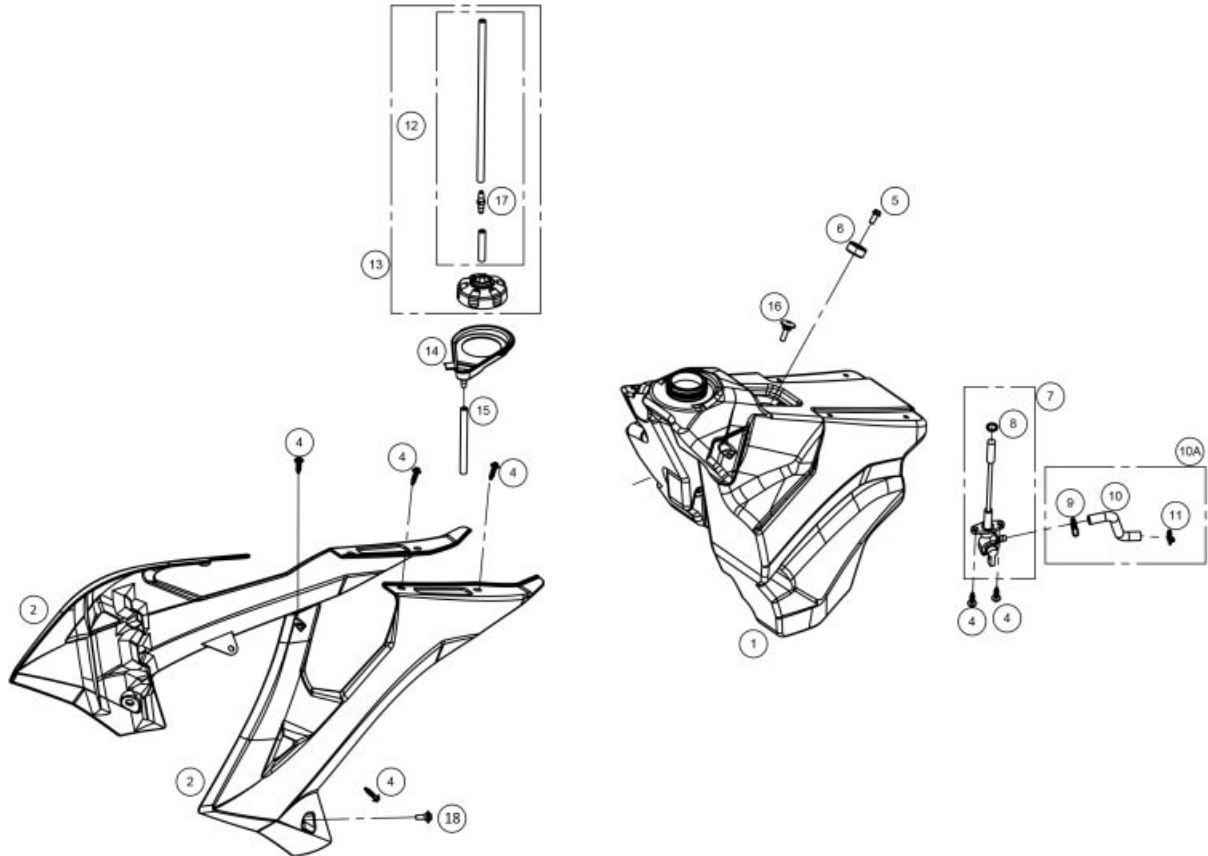
FRONT LIGHT



- | | |
|----|--|
| 1 | <ul style="list-style-type: none"> ● KIT FARO COMPLETO MR NEGRO 0/K00.620.9101 (u. 1) |
| 2 | <ul style="list-style-type: none"> ● PORTAHEAD-LIGHTL.EC 2018 BL. 0/000.620.9100 (u. 1) |
| 3 | <ul style="list-style-type: none"> ● HEADLAMP RUBBER HOLDER 0/000.360.9102 (u. 2) |
| 4 | <ul style="list-style-type: none"> ● FRONT NUMBER-PLATE CROSS COUNTRY 2018 WHITE 0/000.570.9113 (u. 1) |
| 5 | <ul style="list-style-type: none"> ● 6X16 ULS SCREW ISO 7380-1 NEGRO 12.9 0/000.460.9156 (u. 2) |
| 6 | <ul style="list-style-type: none"> ● LEFT FRONT INDICATOR 0/000.150.9101 (u. 1) |
| 7 | <ul style="list-style-type: none"> ● NUT WASHER 6mm DIN 6923 ZINC 8 0/000.340.9116 (u. 2) |
| 8 | <ul style="list-style-type: none"> ● RIGHT FRONT INDICATOR 0/000.150.9100 (u. 1) |
| 9 | <ul style="list-style-type: none"> ● 4X12X1 WASHER PLANE ZN AG CR3 0/000.440.9119 (u. 2) |
| 10 | <ul style="list-style-type: none"> ● SCREW ESP.6x7 DRACOMET 0/000.460.9161 (u. 1) |
| 11 | <ul style="list-style-type: none"> ● SELFLOCKING NUT M5 DIN-985 ZINC 8 0/000.340.9112 (u. 1) |
| 12 | <ul style="list-style-type: none"> ● HEAD LIGHT REGULATION SHEET 0/000.980.9103 (u. 1) |
| 13 | <ul style="list-style-type: none"> ● VISS PALSTIC 4x10 ZN BLUE 0/000.460.9159 (u. 2) |
| 14 | <ul style="list-style-type: none"> ● HEADLIGHT WITH BULB COMPLETE PT-107 0/000.600.0270 (u. 1) |

15	<ul style="list-style-type: none">• SCREW REG LAMP SPRING 0/000.470.9107 (u. 1)
16	<ul style="list-style-type: none">• WASHER 5x12x1.5 DIN 125A ZINC 0/000.440.9121 (u. 2)
17	<ul style="list-style-type: none">• ALUMINIUM BUSHING 55X10X6 0/000.480.9128 (u. 1)
19	<ul style="list-style-type: none">• NUT LOCKNUT. M4 DIN 985 ZINC 8 0/000.340.9111 (u. 1)
20	<ul style="list-style-type: none">• SOPORTE PORTAFARO MR NEGRO INY. 0/000.980.9127 (u. 2)
21	<ul style="list-style-type: none">• 2012 EC HEAD LIGHT REINFORCEMENT REED 0/000.980.9106 (u. 1)
22	<ul style="list-style-type: none">• ALLEN BOLT, 4X25 DIN 912 ZINC 0/000.460.9144 (u. 1)
23	<ul style="list-style-type: none">• REGULATOR BOLT HEADLIGHT ELESA 0/000.460.9106 (u. 1)
24	<ul style="list-style-type: none">• VISS PALSTIC 4x10 ZN BLUE 0/000.460.9159 (u. 2)
25	<ul style="list-style-type: none">• SPECIAL PLASTIC BOLT 4X12 CELO RF87T VERZINKT 0/000.460.9160 (u. 4)

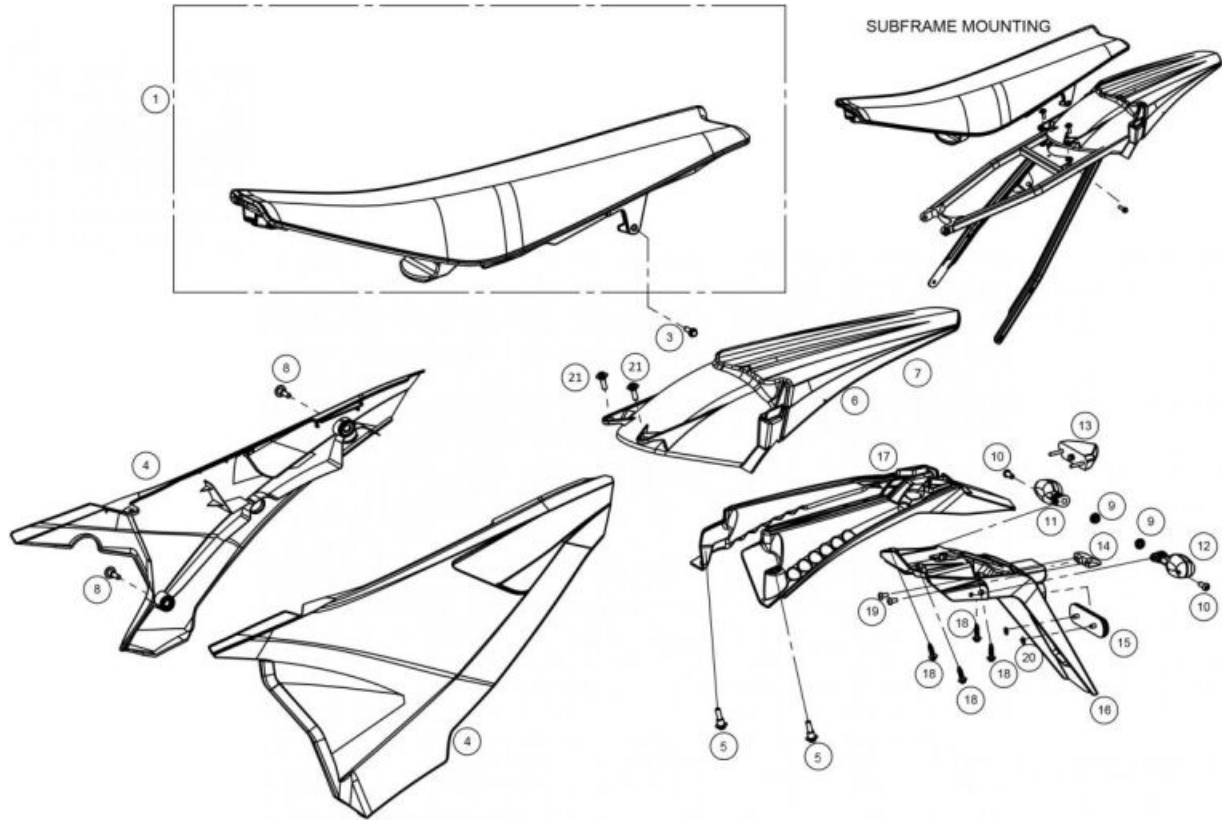
TANK



1	<ul style="list-style-type: none"> TANK COMBUSTIBLE EUROPA (XPE) ENDURO 2018 0/000.030.9100 (u. 1)
2	<ul style="list-style-type: none"> WHITE SET RADIATOR COVER EC NO STICKERS 0/K00.570.9107 (u. 1)
4	<ul style="list-style-type: none"> TORN. ESP. ROSCA PLASTICO Hex.6 C/Arandela 6x20 0/000.460.9178 (u. 10)
5	<ul style="list-style-type: none"> HEX BOLT WASHER 6x14 (Fork Brace) DIN 6921 0/000.460.9118 (u. 1)
6	<ul style="list-style-type: none"> SILENTBLOCK+WASHER TANK GASOLIN 0/000.360.9105 (u. 1)
7	<ul style="list-style-type: none"> COCK GASOLINE ENDURO 2018 0/000.370.9100 (u. 1)
8	<ul style="list-style-type: none"> 10X25 FUEL TAP O/RING B740120 (u. 1)
9	<ul style="list-style-type: none"> SPRING CLAMP M-11.6-12.3 ZINC CR3 0/000.680.9102 (u. 1)
10A	<ul style="list-style-type: none"> TUBE GASOLINE ENDURO 2018 0/000.290.9108 (u. 1)
10	<ul style="list-style-type: none"> TUBE GASOLINE ENDURO 2018 HOMOLOGATION 0/000.290.9109 (u. 1)
11	<ul style="list-style-type: none"> SPRING COLLAR M-12X1.5 ACERO ZN 0/000.680.9103 (u. 1)
12	<ul style="list-style-type: none"> FUEL TANK VENT HOSE 26cm 0/000.290.9115 (u. 1)
13	<ul style="list-style-type: none"> SET CAP GASOLINE +TUBE EC 2014 BE76010CT-CAB-1 (u. 1)
14	<ul style="list-style-type: none"> REBOSA TANK GASOL. 0/000.570.9102 (u. 1)

15	<ul style="list-style-type: none">TUBE REBOSAOF RO TANK GASOLINE ENDURO 0/000.290.9107 (u. 1)
16	<ul style="list-style-type: none">TORNILLO DEPOSITO - SILLIN Ø6x23 0/000.460.9177 (u. 1)
17	<ul style="list-style-type: none">Fuel Tank Check Valve BT27836025 (u. 1)
18	<ul style="list-style-type: none">BOLT 6X12 0/000.460.9101 (u. 2)

REAR FAIRING

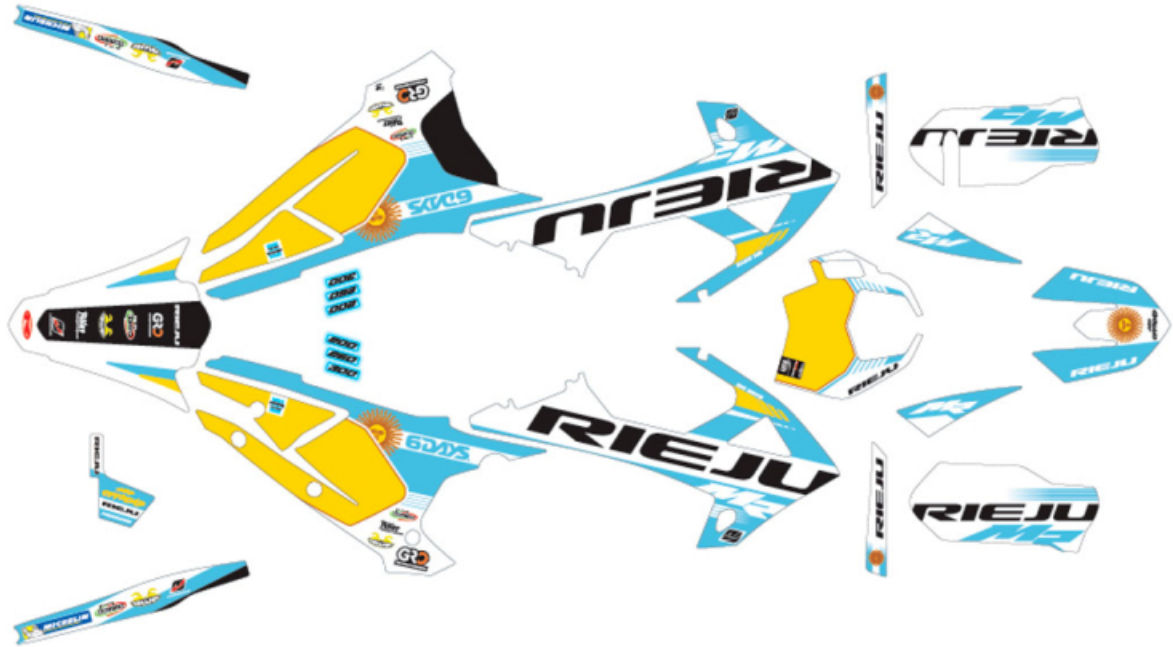


1	<ul style="list-style-type: none"> SILLIN MR SIX DAYS ARGENTINA 0/000.040.9108 (u. 1)
3	<ul style="list-style-type: none"> SPECIAL BOLT 6x25 DIN 6921 GEOMET 10.9 0/000.460.9121 (u. 1)
4	<ul style="list-style-type: none"> SET REAR COVER WHITE MR 0/K00.570.9101 (u. 1)
5	<ul style="list-style-type: none"> TORN.ESP. DIN 6921 Hex.8 TX30 C/Centrador 8,70 M6x16 Cal.10.9 GEOMET 0/000.460.9202 (u. 2) BIS 6X16 0/000.460.9163 (u. 2)
6	<ul style="list-style-type: none"> SET REAR FENDER EC 2018 WHITE. 0/000.060.9100 (u. 1)
8	<ul style="list-style-type: none"> BOLT ESP. 6X16 DRACOMET 0/000.460.9100 (u. 2)
9	<ul style="list-style-type: none"> NUT WASHER 6mm DIN 6923 ZINC 8 0/000.340.9116 (u. 2)
10	<ul style="list-style-type: none"> 6X16 ULS SCREW ISO 7380-1 NEGRO 12.9 0/000.460.9156 (u. 2)
11	<ul style="list-style-type: none"> RIGHT REAR INDICATOR 0/000.150.9102 (u. 1)
12	<ul style="list-style-type: none"> LEFT REAR INDICATOR 0/000.150.9103 (u. 1)
13	<ul style="list-style-type: none"> LUZ PILOTO TRASERO LED V.2 0/000.150.9106 (u. 1)
	<ul style="list-style-type: none"> LUZ PILOTO TRASERO LED V.2 0/000.150.9106 (u. 1)
	<ul style="list-style-type: none"> LUZ PILOTO TRASERO LED V.2 0/000.150.9106 (u. 1)
14	<ul style="list-style-type: none"> LIGHT NUM-PLATE (HD008000) 0/000.150.9104 (u. 1)

15	<ul style="list-style-type: none">• CATADIOPTIC 700R ENDURO 2007 0/000.630.9103 (u. 1)
16	<ul style="list-style-type: none">• PORTA MATRICULAS HOMOLOGADO MRT 2021 0/000.060.5302 (u. 1)
17	<ul style="list-style-type: none">• REGIST PLATE HOLOF R SHORT EC 2018 0/000.060.9101 (u. 1)
18	<ul style="list-style-type: none">• TORN. ESP. ROSCA PLASTICO Hex.6 C/Arandela 6x20 0/000.460.9178 (u. 4)
19	<ul style="list-style-type: none">• ULS TORX WITH ARAND.4X08 ISO 7380-2 INOX A2 0/000.460.9158 (u. 2)
20	<ul style="list-style-type: none">• STAPLE 02110396 SRRM-5 0/000.440.9102 (u. 2)
21	<ul style="list-style-type: none">• BOLT 6X12 0/000.460.9101 (u. 2)

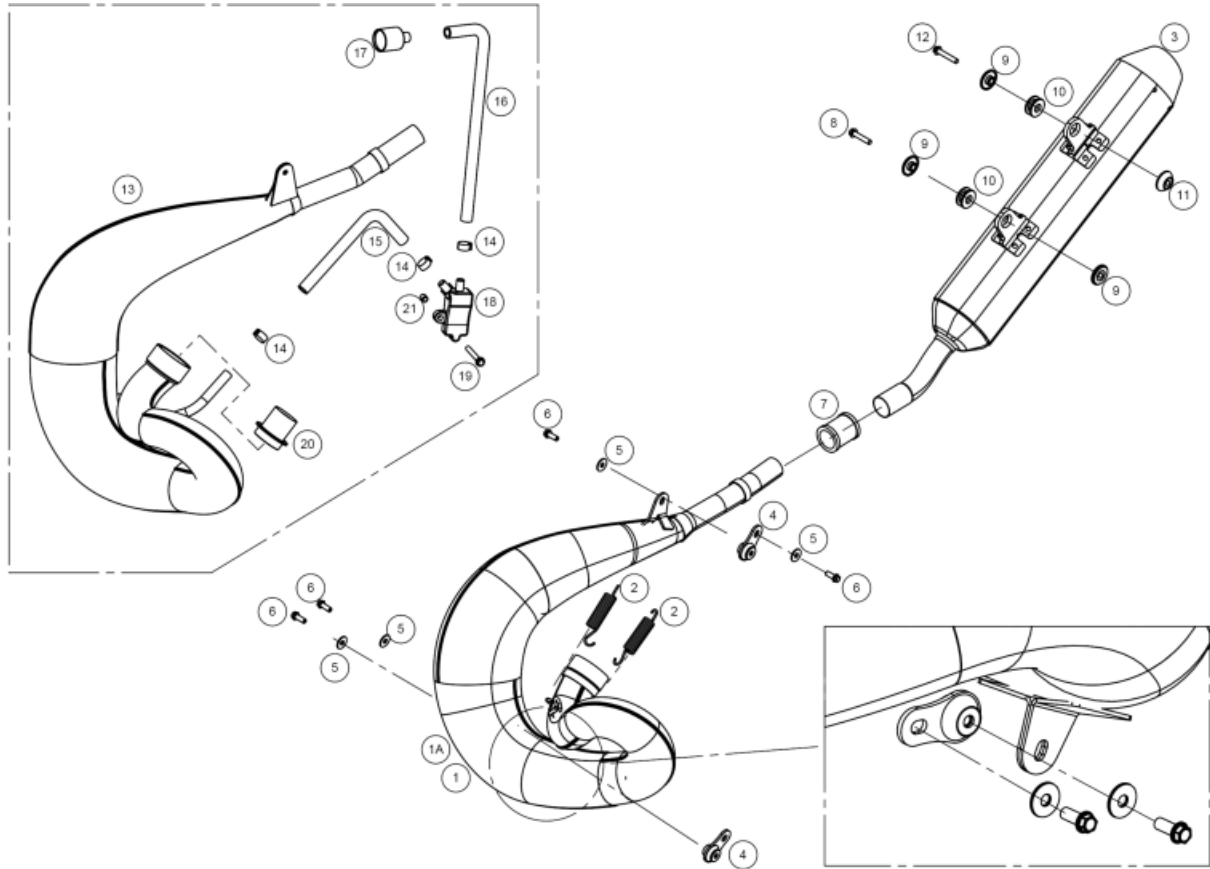
STICKERS

0/000.390.9147 JUEGO CALCAS MR SIX DAYS 2024



- | | |
|---|--|
| 1 | ● JUEGO CALCAS MR SIX DAYS 2024
0/000.390.9147 (u. 1) |
| 2 | ● CALCA LLANTA ENDURO AZUL
0/000.390.5140A (u. 8) |

EXHAUST SYSTEM



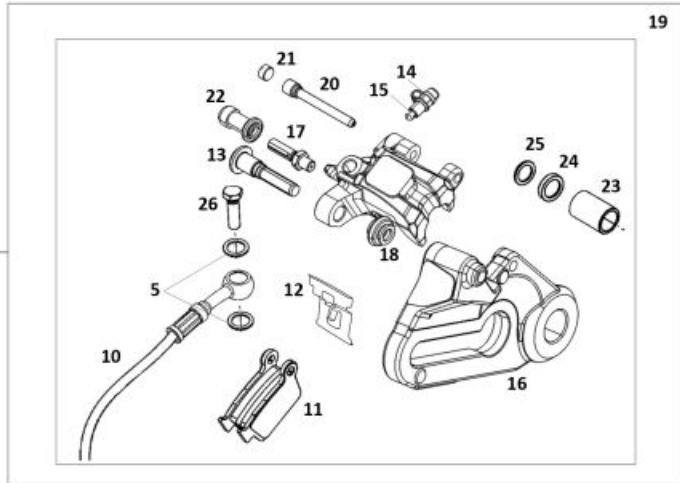
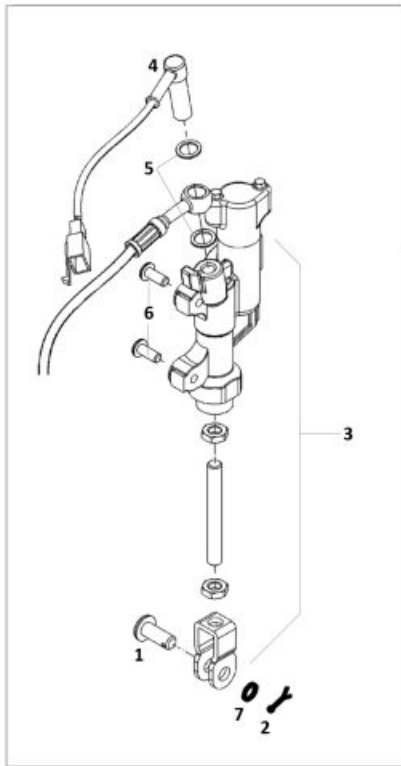
- | | |
|----|---|
| 1 | <ul style="list-style-type: none"> TUBO ESCAPE FMF MR 300cc
0/000.290.9139 (u. 1) |
| 2 | <ul style="list-style-type: none"> SPRING EXHAUST EC
0/000.470.9106 (u. 2) |
| 3 | <ul style="list-style-type: none"> SILENCIADOR FMF BLUE TI POWERCORE 2.1
0/000.870.9108 (u. 1) |
| 4 | <ul style="list-style-type: none"> SILENBLOCK EXHAUST ENDURO
0/000.360.9107 (u. 2) |
| 5 | <ul style="list-style-type: none"> WASHER 6x18x1.5 ZINC
0/000.440.9126 (u. 4) |
| 6 | <ul style="list-style-type: none"> 6x16 HEX HEAD WASHER DIN 6921 ZINC.10.9
0/000.460.9119 (u. 4) |
| 7 | <ul style="list-style-type: none"> EXHAUST RUBBER GASKET
0/000.490.9103 (u. 1) |
| 8 | <ul style="list-style-type: none"> TORN.ESP. DIN 6921 Hex.8 TX30 M6x30 Fil.20 Cal.10.9 GEOMET
0/000.460.9183 (u. 1) ALLEN BOLT 6x30 DIN 6921 GEOMET
0/000.460.9123 (u. 1) |
| 9 | <ul style="list-style-type: none"> BUSH SILENCER SHORT EC 2018
0/000.480.9115 (u. 3) |
| 10 | <ul style="list-style-type: none"> SILENTBLOCK MUFFLER EC 2018
0/000.360.9108 (u. 2) |
| 11 | <ul style="list-style-type: none"> BUSH SILENCER LONG ENDURO 2018
0/000.480.9114 (u. 1) |
| 12 | <ul style="list-style-type: none"> SPECIAL BOLT 6X35 DIN 6921 GEOMET
0/000.460.9124 (u. 1) |
| 13 | <ul style="list-style-type: none"> EXHAUST EC 2018 HOMOLOGATION
0/000.290.9113 (u. 1) |

OBSOLETE

14	<ul style="list-style-type: none">● CLAMP D.15/8 W4 INOX A2 0/000.680.9106 (u. 3)
15	<ul style="list-style-type: none">● VALVE TO FILTER RUBBER TUBE 0/000.290.9110 (u. 1)
16	<ul style="list-style-type: none">● EXHAUST TO VALVE RUBBER TUBE 0/000.290.9111 (u. 1)
17	<ul style="list-style-type: none">● VALV FILTER 0/227.013.0003 (u. 1)
18	<ul style="list-style-type: none">● AIS VALVE 0/000.640.9100 (u. 1)
19	<ul style="list-style-type: none">● HEAD SCREW 6x60 DELTA PROTEK 10.9 0/000.460.9128 (u. 1)
20	<ul style="list-style-type: none">● CATALIZER EC250-2002 0/001.600.9100 (u. 1)
21	<ul style="list-style-type: none">● LOAD LIMITER BUSH 0/000.980.9112 (u. 1)

14	<ul style="list-style-type: none"> SPEEDO CABLE HOLDER CLIP 2008 0/000.630.9104 (u. 2)
15	<ul style="list-style-type: none"> SWITCH STOP 0/000.720.9104 (u. 1)
16	<ul style="list-style-type: none"> FRONT BRAKE SET 0/000.820.9107 (u. 1)
17	<ul style="list-style-type: none"> HOSE HOLDER RACORD 10X125 BC25722006 (u. 1)
18	<ul style="list-style-type: none"> FRONT BRAKE CALIPER 0/000.860.9101 (u. 1)
19	<ul style="list-style-type: none"> FRONT BRAKE CALIPER PISTON BE620422508 (u. 1)
20	<ul style="list-style-type: none"> BLEEDER SET BE620602508 (u. 1)
21	<ul style="list-style-type: none"> BLEEDER CAP BE250022055 (u. 1)
22	<ul style="list-style-type: none"> GUIDE SCREW BE250022092 (u. 1)
23	<ul style="list-style-type: none"> FRONT BRAKE CALIPER BLEEDER BE620682508 (u. 1)
24	<ul style="list-style-type: none"> FRONT BRAKE CALIPER BOLT BE250022034 (u. 1)
25	<ul style="list-style-type: none"> SUPPORT WITH MAGNET SET BE620692508 (u. 1)
26	<ul style="list-style-type: none"> FRONT CALIPER SUPPORT BE620102508 (u. 1)
27	<ul style="list-style-type: none"> FRONT BRAKE PADS HOLDER BRACKET (B) BE620122508 (u. 1)
28	<ul style="list-style-type: none"> FRONT BRAKE PADS BE620652508 (u. 1)
29	<ul style="list-style-type: none"> FRONT BRAKE PADS HOLDER BRACKET (A) BE620112508 (u. 1)
30	<ul style="list-style-type: none"> FRONT BRAKE PADS PIN BE250022041 (u. 1)
31	<ul style="list-style-type: none"> SCREW SPECIAL 8X30 GEOMET 10.9 0/000.460.9138 (u. 2)

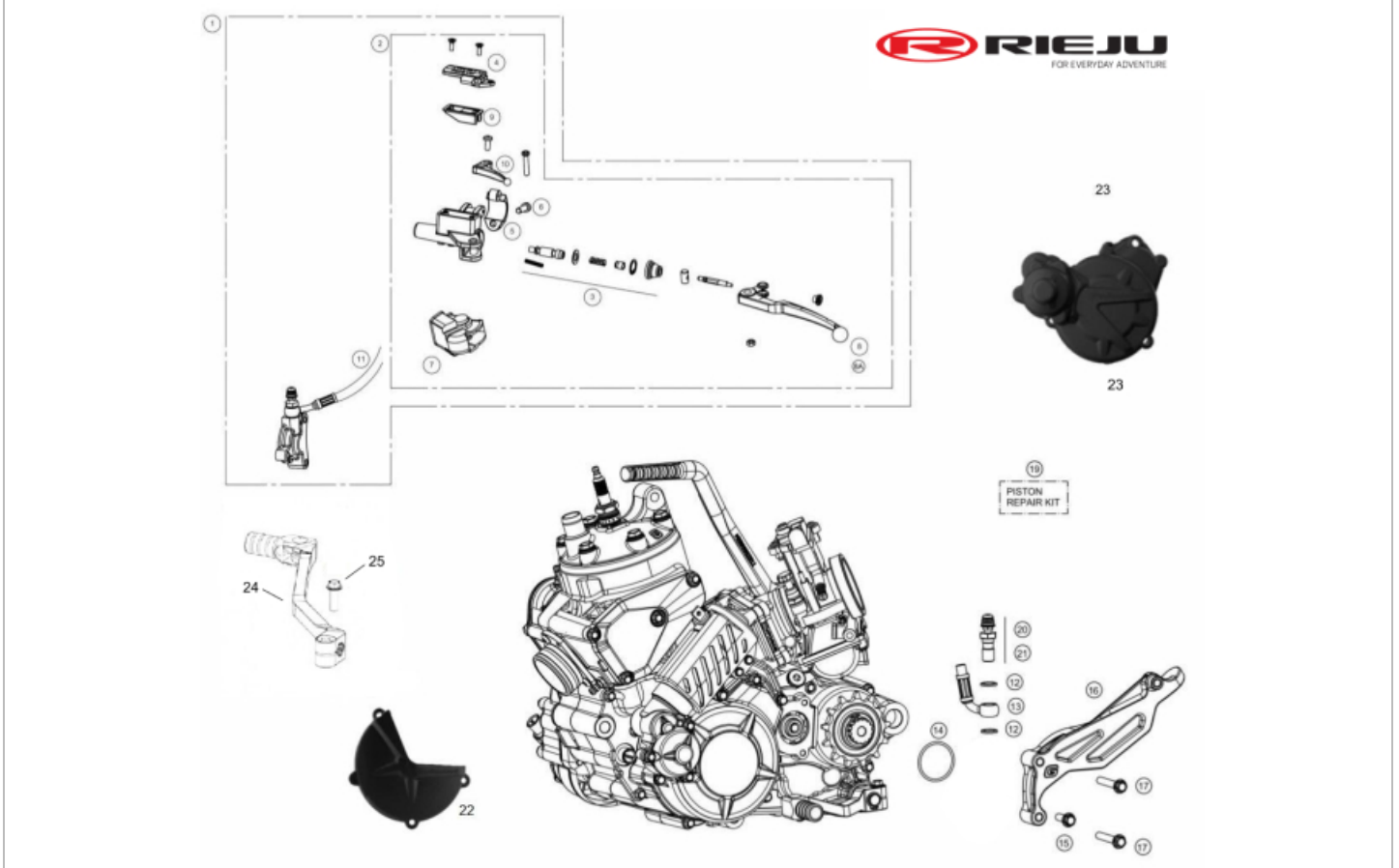
REAR BRAKE



1	<ul style="list-style-type: none"> BRAKE PEDAL PIN 8X20 0/000.840.9101 (u. 1)
2	<ul style="list-style-type: none"> 2X20 BRAKE PEDAL PIN STOPPER 0/000.840.9102 (u. 1)
3	<ul style="list-style-type: none"> SET. PUMP BRAKE REAR EC 2018 0/000.820.9105 (u. 1)
4	<ul style="list-style-type: none"> SWITCH STOP 0/000.720.9104 (u. 1)
5	<ul style="list-style-type: none"> HOSE WASHER 10X4X1 BE25622007 (u. 4)
6	<ul style="list-style-type: none"> 6x16 HEX HEAD WASHER DIN 6921 ZINC.10.9 0/000.460.9119 (u. 2)
7	<ul style="list-style-type: none"> WASHER 8X16X1 0/000.440.0302 (u. 1)
8	<ul style="list-style-type: none"> SHORT UNEX CLAMP 2.5x98 0/000.660.9106 (u. 3) BRIDA 2,5x100 T18ROS-PA66HS-BK 0/000.680.0081 (u. 3)
9	<ul style="list-style-type: none"> SET BRAKE REAR EC-2018 0/000.820.9104 (u. 1)
10	<ul style="list-style-type: none"> NISSIN REAR BRAKE HOSE BE661002509 (u. 1)
11	<ul style="list-style-type: none"> NISSIN REAR BRAKE PADS BE675002509 (u. 1)
12	<ul style="list-style-type: none"> REAR BRAKE PADS HOLDER BRACKET (B) BE250022091 (u. 1)
13	<ul style="list-style-type: none"> CALIPER HOLDER SCREW BE250022096 (u. 1)
14	<ul style="list-style-type: none"> BLEEDER CAP BE250022055 (u. 1)

15	● BLEEDER BE250022060 (u. 1)
16	● REAR CALIPER SUPPORT BE671002509 (u. 1)
17	● FRONT BRAKE CALIPER BOLT BE250022034 (u. 1)
18	● FRONT BRAKE CALIPER BLEEDER BE620682508 (u. 1)
19	● REAR BRAKE SET 0/000.860.9102 (u. 1)
20	● BRAKE PADS PIN BE250022094 (u. 1)
21	● NISSIN PROTECTOR PIN BE250022095 (u. 1)
22	● SUPPORT WITH MAGNET SET BE620692508 (u. 1)
23	● REAR BRAKE CALIPER PISTON BE675602509 (u. 1)
24	● REAR BRAKE CALIPER PISTON OÆRING BE675502509 (u. 1)
25	● SEAL REAR BRAKE BE675552509 (u. 1)
26	● HOSE HOLDER RACORD 10X125 BC25722006 (u. 1)

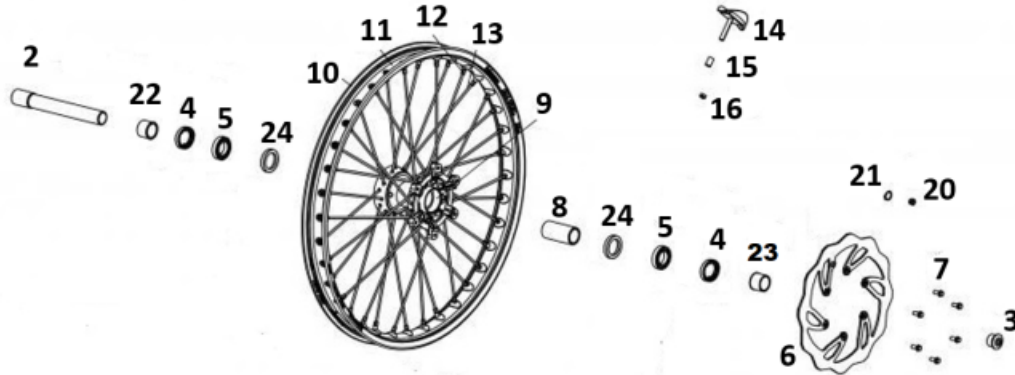
CLUTCH CONTROL



1	<ul style="list-style-type: none"> COMPLETE MAGURA CLUTCH PUMP, 9.5 (167) 0/000.830.9101 (u. 1) 	
2	<ul style="list-style-type: none"> CLUTCH PUMP MAGURA 9,5 (167) 0020747 BE45000013011 (u. 1) 	OBSELETE
3	<ul style="list-style-type: none"> PISTON KIT, 9.5mm (0723184) BE45000043011 (u. 1) 	
4	<ul style="list-style-type: none"> COVER OIL MINERAL (0723164) BE45000053011 (u. 1) TAPA BOMBA EMBRAGUE NEGRA 167.2 0/000.350.9119 (u. 1) 	
5	<ul style="list-style-type: none"> CLAMP, HOLDER BE45000063011 (u. 1) 	
6	<ul style="list-style-type: none"> BOLT 6x20 DIN 6921 GEOMET 10.9 0/000.460.9120 (u. 1) TORN.ESP. DIN 6921 Hex.8 TX30 M6x20 Cal.10.9 GEOMET 0/000.460.9181 (u. 1) TORN.ESP. DIN 6921 Hex.8 TX30 M6x20 Cal.10.9 GEOMET 0/000.460.9181 (u. 1) 	OBSELETE
7	<ul style="list-style-type: none"> DUST SHIELD BE45000093011 (u. 1) 	
8A	<ul style="list-style-type: none"> LONG CLUTCH LEVER BE45000033011 (u. 1) 	
8	<ul style="list-style-type: none"> LEVER CORTA CLUTCH(0723121) BE45000023011 (u. 1) 	
9	<ul style="list-style-type: none"> MEMBRANAPÁSITO (0723162) BE45000103011 (u. 1) TAPA BOMBA EMBRAGUE NEGRA 167.2 0/000.350.9119 (u. 1) 	OBSELETE

10	<ul style="list-style-type: none"> ● CHOKE LEVER BE45000073011 (u. 1) 	
11	<ul style="list-style-type: none"> ● CLUTCH HOSE BE250522003 (u. 1) 	
12	<ul style="list-style-type: none"> ● HOSE WASHER 10X4X1 BE25622007 (u. 2) 	
13	<ul style="list-style-type: none"> ● CLUTCH HOSE BE250522003 (u. 1) 	
14	<ul style="list-style-type: none"> ● CLUTCH PUMP OÆRING ME25632024 (u. 1) 	
15	<ul style="list-style-type: none"> ● BOLT 6x20 DIN 6921 GEOMET 10.9 0/000.460.9120 (u. 1) 	OBSOLETE
	<ul style="list-style-type: none"> ● TORN.ESP. DIN 6921 Hex.8 TX30 M6x20 Cal.10.9 GEOMET 0/000.460.9181 (u. 1) 	
	<ul style="list-style-type: none"> ● TORN.ESP. DIN 6921 Hex.8 TX30 M6x20 Cal.10.9 GEOMET 0/000.460.9181 (u. 1) 	
16	<ul style="list-style-type: none"> ● CHAIN SLIDER KIT 3 COMP. BE43015CT-CLJ-1 (u. 1) 	
17	<ul style="list-style-type: none"> ● TORN.ESP. DIN 6921 Hex.8 TX30 M6x50 Fil.20 Cal.10.9 GEOMET 0/000.460.9186 (u. 2) 	
	<ul style="list-style-type: none"> ● HEAD SCREW 6x50 DIN 6921 GEOMET 10.9 0/000.460.9126 (u. 2) 	OBSOLETE
	<ul style="list-style-type: none"> ● TORN.ESP. DIN 6921 Hex.8 TX30 M6x50 Fil.20 Cal.10.9 GEOMET 0/000.460.9186 (u. 2) 	
20	<ul style="list-style-type: none"> ● Bleeder Cap BT27922055 (u. 1) 	
21	<ul style="list-style-type: none"> ● Bleeder, Pro Rear Brake Caliper BE25622060 (u. 1) 	
22	<ul style="list-style-type: none"> ● CLUTCH PROTECTOR BLACK 0/000.220.9129 (u. 1) 	
23	<ul style="list-style-type: none"> ● IGNITION PROTECTOR BLACK 0/000.220.9130 (u. 1) 	
24	<ul style="list-style-type: none"> ● CHANGE PEDAL MR 2022 0/005.430.9104 (u. 1) 	
25	<ul style="list-style-type: none"> ● BOLT 6x20 DIN 6921 GEOMET 10.9 0/000.460.9120 (u. 1) 	OBSOLETE
	<ul style="list-style-type: none"> ● TORN.ESP. DIN 6921 Hex.8 TX30 M6x20 Cal.10.9 GEOMET 0/000.460.9181 (u. 1) 	
	<ul style="list-style-type: none"> ● TORN.ESP. DIN 6921 Hex.8 TX30 M6x20 Cal.10.9 GEOMET 0/000.460.9181 (u. 1) 	

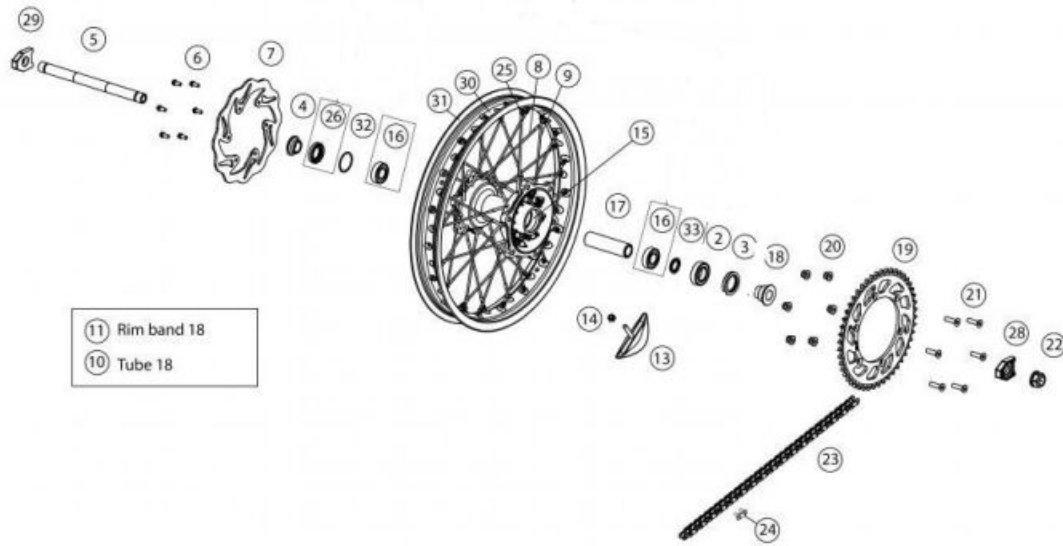
FRONT WHEEL



2	<ul style="list-style-type: none"> FRONT WHEEL AXLE EC 2011 20.8CM 0/000.190.9102 (u. 1)
	<ul style="list-style-type: none"> FRONT AXLE INNER SCREW MR2022 0/000.460.9166 (u. 1)
3	<ul style="list-style-type: none"> FRONT WHEEL AXIS BOLT 0/000.340.9100 (u. 1)
4	<ul style="list-style-type: none"> RETEN 36x47x7 0/000.890.9111 (u. 2)
5	<ul style="list-style-type: none"> RODAMIENTO 6005 2RS 25x47x12 0/000.960.9117 (u. 2)
6	<ul style="list-style-type: none"> FRONT BRAKE DISC DIAM. 260 FLOATING 0/001.090.9106 (u. 1)
7	<ul style="list-style-type: none"> SREWC WASHERr 6x14 (Fork Brace) 0/000.460.9142 (u. 6)
8	<ul style="list-style-type: none"> SEPARADOR COJINETES CARRETE DELANTERO 0/000.480.9139 (u. 1)
9	<ul style="list-style-type: none"> CARRETE DELANTERO ANODIZADO ROJO MR PRO 0/000.070.9100 (u. 1)
10	<ul style="list-style-type: none"> CTO.LLANTA DEL.RADIADA MR PRO 2024 0/000.110.9104 (u. 1)
11	<ul style="list-style-type: none"> LLANTA DELANTERA EXCEL 1.60x21.0 ANODIZADA NEGRA 0/000.230.9106 (u. 1)
12	<ul style="list-style-type: none"> TUERCA RADIO 7.6x19.2 8G 32 0/000.340.9127 (u. 36)
13	<ul style="list-style-type: none"> RADIO DELANTERO 1.60x21" 0/000.540.9100 (u. 36)
14	<ul style="list-style-type: none"> FRONT TIRE HOLDER 1.6x21 0/000.220.9114 (u. 1)
15	<ul style="list-style-type: none"> FR. TIRE HOLDING BUSHING EC-2010 8X12X12 0/000.480.9112 (u. 1)
16	<ul style="list-style-type: none"> AUTOLOCK NUT 8MM DIN 985 ZINC 0/000.340.9114 (u. 1)
18	<ul style="list-style-type: none"> CAMARA DELANTERA 21MDR VALVE TR4 833092 0/000.520.9100 (u. 1)
19	<ul style="list-style-type: none"> PROT.BANDA DEL.FLAP 1.60/1.85 X 21(1400X25) 949947 0/000.220.9108 (u. 1)

20	<ul style="list-style-type: none">MAGNET EC 2010 0/001.010.9101 (u. 1)
21	<ul style="list-style-type: none">SEGEER A 9 DIN 471 BRACKET MAGNET EC 2010 0/000.300.9100 (u. 1)
22	<ul style="list-style-type: none">SEPARADOR RUEDA DELANTERA LH 0/000.480.9137 (u. 1)
23	<ul style="list-style-type: none">SEPARADOR RUEDA DELANTERA RH 0/000.480.9138 (u. 1)
24	<ul style="list-style-type: none">ANILLO SEPARADOR COJINETES 0/000.300.9109 (u. 2)

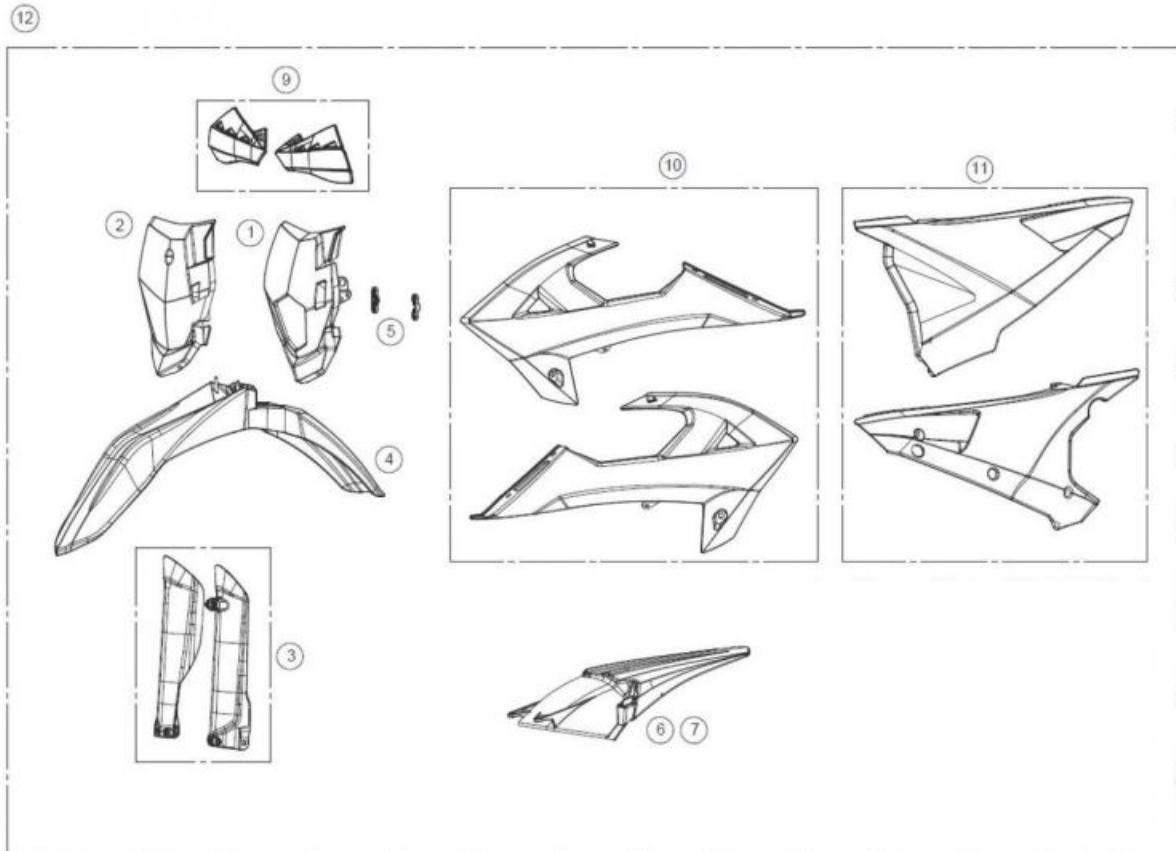
REAR WHEEL



2	<ul style="list-style-type: none"> RODAMIENTO 6005 2RS 25x47x12 0/000.960.9117 (u. 2)
3	<ul style="list-style-type: none"> RETEN 36x47x7 0/000.890.9111 (u. 2)
4	<ul style="list-style-type: none"> SEPARADOR RUEDA TRASERA RH 0/000.480.9141 (u. 1)
5	<ul style="list-style-type: none"> AXLE WHEEL REAR EC 2018 0/000.190.9103 (u. 1)
6	<ul style="list-style-type: none"> HEX BOLT WASHER 6x14 (Fork Brace) DIN 6921 0/000.460.9118 (u. 6)
7	<ul style="list-style-type: none"> REAR BRAKE DISC MR 220mm 0/001.090.9108 (u. 1)
8	<ul style="list-style-type: none"> RADIO TRASERO LADO DISCO 2.50x18" 0/000.540.9102 (u. 18)
9	<ul style="list-style-type: none"> RADIO TRASERO LADO PLATO 2.50x18" 0/000.540.9101 (u. 18)
10	<ul style="list-style-type: none"> CAMARA TRASERA CH 18 MGR VALVE TR4 MICHELIN 0/000.520.9102 (u. 1)
11	<ul style="list-style-type: none"> PROT.BANDA TRASERO 1.60/2.00 X 18/19 (1300X25) 656 0/000.220.9110 (u. 1)
13	<ul style="list-style-type: none"> REAR TYRE HOLDER 2.15x18 0/000.220.9115 (u. 1)
14	<ul style="list-style-type: none"> AUTOLOCK NUT 8MM DIN 985 ZINC 0/000.340.9114 (u. 1)
15	<ul style="list-style-type: none"> CARRETE TRASERO ANODIZADO ROJO MR PRO 0/000.080.9100 (u. 1)
16	<ul style="list-style-type: none"> RODAMIENTO 6005 2RS 25x47x12 0/000.960.9117 (u. 2)
17	<ul style="list-style-type: none"> SEPARADOR COJINETES CARRETE TRASERO 0/000.480.9142 (u. 1)

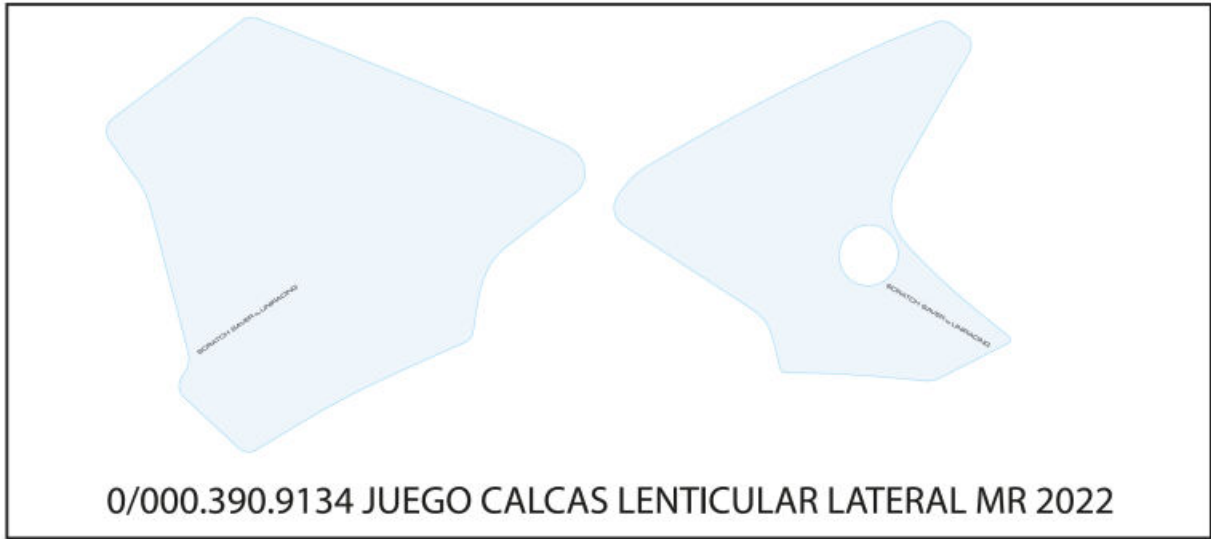
18	<ul style="list-style-type: none"> SEPARADOR RUEDA TRASERA LH 0/000.480.9140 (u. 1)
19	<ul style="list-style-type: none"> PLATO DUAL Z48 MR SIX DAYS NEGRO/NEGRO 0/000.500.9106 (u. 1)
20	<ul style="list-style-type: none"> M8 NUT 0/000.340.0180 (u. 6)
21	<ul style="list-style-type: none"> ALLEN BOLT 8x30 DIN 7991 ZINC 12.9 0/000.460.9153 (u. 6)
22	<ul style="list-style-type: none"> REAR NUT WHEEL. ENDURO 2018 0/000.340.9104 (u. 1)
23	<ul style="list-style-type: none"> CHAIN 520 X-RING PACKAGED 112 STEPS 0/001.050.9100 (u. 1)
24	<ul style="list-style-type: none"> ENGANCHE CADENA 520 X-RING 0/001.050.9110 (u. 1)
25	<ul style="list-style-type: none"> TUERCA RADIO 7.6x19.2 8G 32 0/000.340.9127 (u. 36)
26	<ul style="list-style-type: none"> RETEN 36x47x7 0/000.890.9111 (u. 1)
28	<ul style="list-style-type: none"> CHAIN ADJUSTER BLOCK ENDURO 2018 0/000.380.9101 (u. 1)
29	<ul style="list-style-type: none"> CHAIN ADJUSTER BLOCK BLIND ENDURO 2018 0/000.380.9100 (u. 1)
30	<ul style="list-style-type: none"> LLANTA TRASERA EXCEL 2.50x18.0 ANODIZADA NEGRA 0/000.230.9107 (u. 1)
31	<ul style="list-style-type: none"> CTO.LLANTA TRASERA RADIADA MR PRO 2024 0/000.120.9104 (u. 1)
32	<ul style="list-style-type: none"> ANILLO SEPARADOR COJINETES 0/000.300.9109 (u. 1)
33	<ul style="list-style-type: none"> ANILLO SEPARADOR COJINETES 0/000.300.9109 (u. 1)

FAIRING



1	<ul style="list-style-type: none"> LIGHT HOLDER MR BLACK 0/000.620.9101 (u. 1)
2	<ul style="list-style-type: none"> FRONT NUMBER-PLATE CROSS COUNTRY 2018 WHITE 0/000.570.9113 (u. 1)
3	<ul style="list-style-type: none"> SET PROT.FORK MR300 BLACK 0/000.220.9118 (u. 1)
4	<ul style="list-style-type: none"> FRONT-FENDER MR BLACK 0/000.050.9100 (u. 1)
5	<ul style="list-style-type: none"> SOPORTE PORTAFARO MR NEGRO INY. 0/000.980.9127 (u. 2)
6	<ul style="list-style-type: none"> GUARDABARROS TRASERO MR NEGRO 0/000.060.9104 (u. 1)
9	<ul style="list-style-type: none"> SET HANDGUARDS ENDURO WHITE (QWEST) 0/000.770.9100 (u. 1)
10	<ul style="list-style-type: none"> SET FRONT COVER BLACK MR 0/K00.570.9102 (u. 1)
11	<ul style="list-style-type: none"> SET REAR COVER BLACK MR 0/K00.570.9106 (u. 1)
12	<ul style="list-style-type: none"> KIT PLASTICOS COMPLETOS MR NEGRO 0/K00.570.9108 (u. 1)

TRANSPARENT STICKER

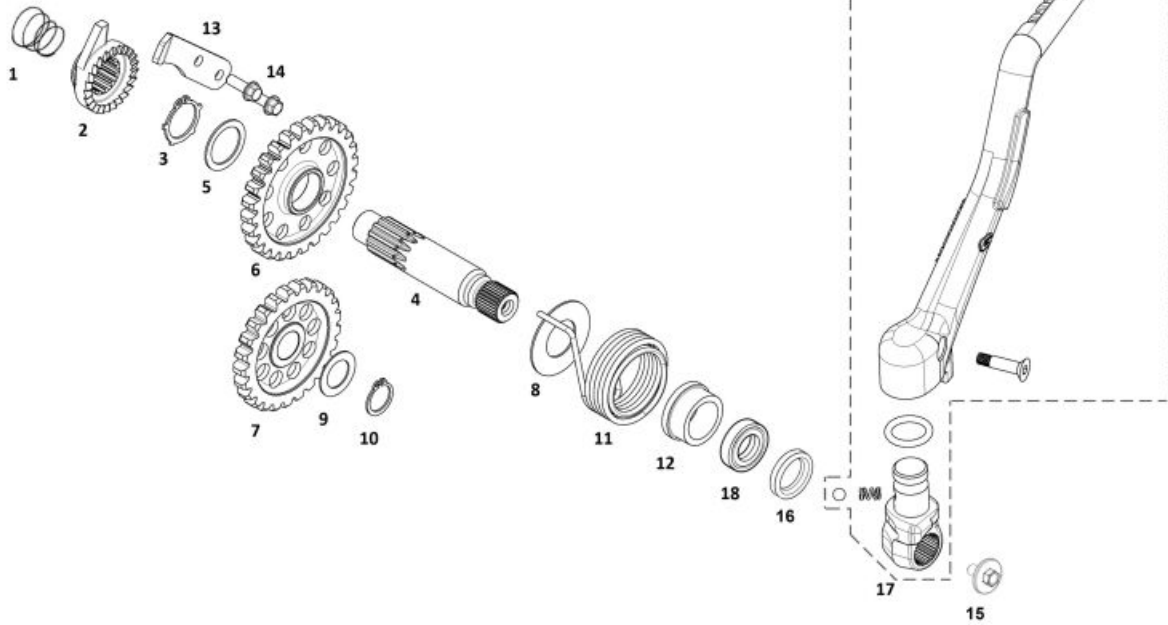


1

- JUEGO CALCAS LENTICULAR LATERAL MR 2022
0/000.390.9134 (u. 1)

ENGINE MR 2022 V2

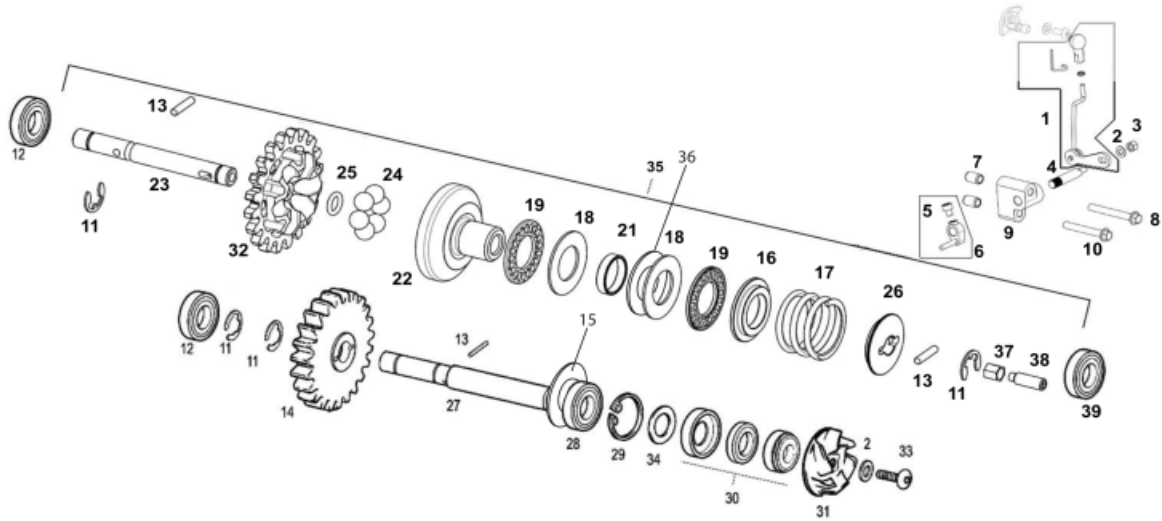
KICK STARTER



1	<ul style="list-style-type: none"> KICKSTART SPRING 0/000.470.9109 (u. 1)
2	<ul style="list-style-type: none"> INNER KICKSTART GEAR 0/005.400.9110 (u. 1)
3	<ul style="list-style-type: none"> CIRCLIP D.20 DIN 471 0/000.300.9105 (u. 1)
4	<ul style="list-style-type: none"> KICKSTARTER SHAFT 0/005.400.9106 (u. 1)
5	<ul style="list-style-type: none"> END WASHER 27X202X1 0/000.440.9109 (u. 1)
6	<ul style="list-style-type: none"> KICKDRIVE GEAR 0/005.400.9105 (u. 1)
7	<ul style="list-style-type: none"> KICKSTART INNER PINION 0/005.400.9108 (u. 1)
8	<ul style="list-style-type: none"> KICKSTARTER WASHER 40x20,15x1 0/000.440.9111 (u. 1)
9	<ul style="list-style-type: none"> WASHER 241515X08 0/000.440.9110 (u. 1)
10	<ul style="list-style-type: none"> SEEGER D.15 DIN 47 0/000.300.9101 (u. 1)
11	<ul style="list-style-type: none"> KICK START SPRING 0/000.470.9110 (u. 1)
12	<ul style="list-style-type: none"> KICKSTART SPRING BUSHING 0/000.480.9125 (u. 1)
13	<ul style="list-style-type: none"> KICKSTART RATCHET BRACKET 0/000.980.9114 (u. 1)
14	<ul style="list-style-type: none"> HEAD SCREW 5x15 DIN 6921 GEOMET 10.9 0/000.460.9115 (u. 2)
15	<ul style="list-style-type: none"> VISS ESPECIAL 6X11 GEOMET 10.9 0/000.460.9134 (u. 1)
16	<ul style="list-style-type: none"> BUSH PEDAL ARRANQUE EC 2014 0/000.480.9126 (u. 1)

17	<ul style="list-style-type: none">• STARTER LEVER MR300 0/005.430.9103 (u. 1)
18	<ul style="list-style-type: none">• KICKSTARTER OIL SEAL 20X30X7 0/000.890.9105 (u. 1)

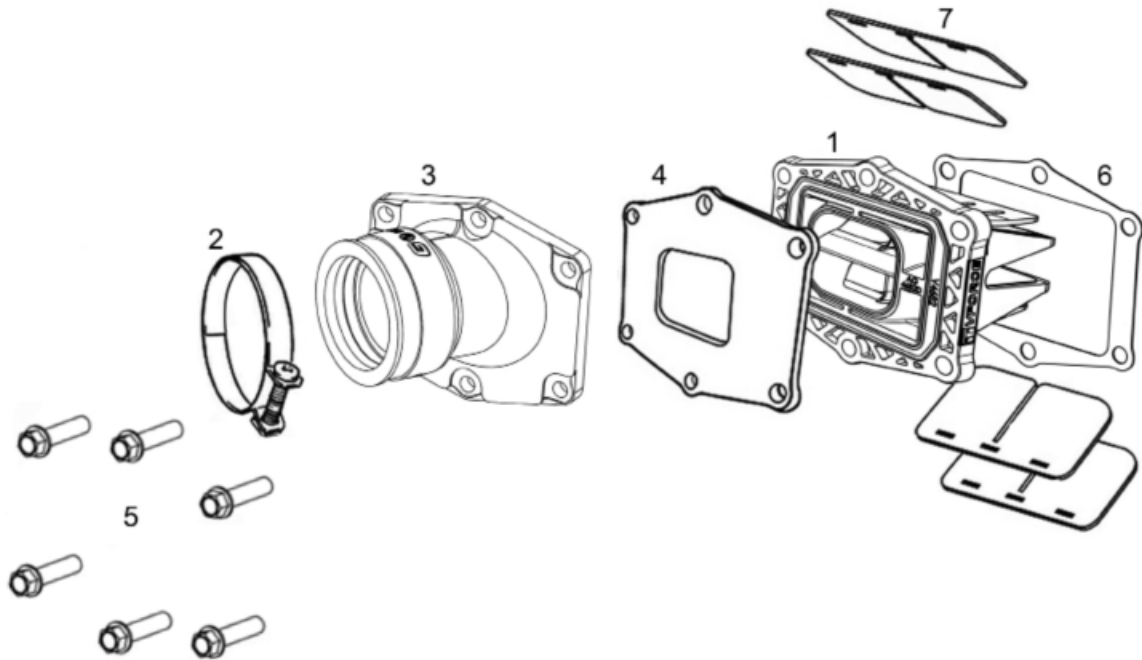
WATER PUMP



1	<ul style="list-style-type: none"> ● SET PUSHER VALV.EXHAUST COMPLETE EC 2015 0/000.640.9104 (u. 1) 	
2	<ul style="list-style-type: none"> ● WASHER 5x12x1.5 DIN 125A ZINC 0/000.440.9121 (u. 2) 	
3	<ul style="list-style-type: none"> ● SELFLOCKING NUT M5 DIN-985 ZINC 8 0/000.340.9112 (u. 1) 	
4	<ul style="list-style-type: none"> ● AXLE LEVER CENTRIFUGAL 0/000.190.9108 (u. 1) 	
6	<ul style="list-style-type: none"> ● SET LEVER CENTRIFUG. EC 0/005.490.9101 (u. 1) 	
7	<ul style="list-style-type: none"> ● ENGINE CASE LOCATER BUSHING 0/000.480.9119 (u. 2) 	
8	<ul style="list-style-type: none"> ● HEAD SCREW 6x60 DELTA PROTEK 10.9 0/000.460.9128 (u. 1) 	
9	<ul style="list-style-type: none"> ● BRACKET AXLE MANDO VALVE EC 2015 0/000.980.9115 (u. 1) 	
10	<ul style="list-style-type: none"> ● HEAD SCREW 6x40 GEOMET 10.9 0/000.460.9125 (u. 1) 	
11	<ul style="list-style-type: none"> ● SEEGER DIN 6799 E7 0/000.300.9103 (u. 4) 	
12	<ul style="list-style-type: none"> ● 508Z BEARING 0/000.960.9108 (u. 2) 	
13	<ul style="list-style-type: none"> ● IMPELLER WATER PUMP NEEDLE 3X14 0/000.280.9101 (u. 3) 	
14	<ul style="list-style-type: none"> ● WATER PUMP PINION 0/005.400.9111 (u. 1) 	
15	<ul style="list-style-type: none"> ● 10X19X05 WASHER 0/000.440.9113 (u. 1) 	
16	<ul style="list-style-type: none"> ● CENTRIFUGAL SPRING RETAINER ME59026GG-CEQ-1 (u. 1) - 250cc / 300cc 	OBSELETE
17	<ul style="list-style-type: none"> ● EXHAUST VALVE SPRING 99 ME25916026 (u. 1) - 250cc / 300cc 	
18	<ul style="list-style-type: none"> ● BEARING WASHER 0/000.440.9107 (u. 2) 	
19	<ul style="list-style-type: none"> ● NEEDLES BEARING AXK 1528 0/000.960.9109 (u. 2) 	

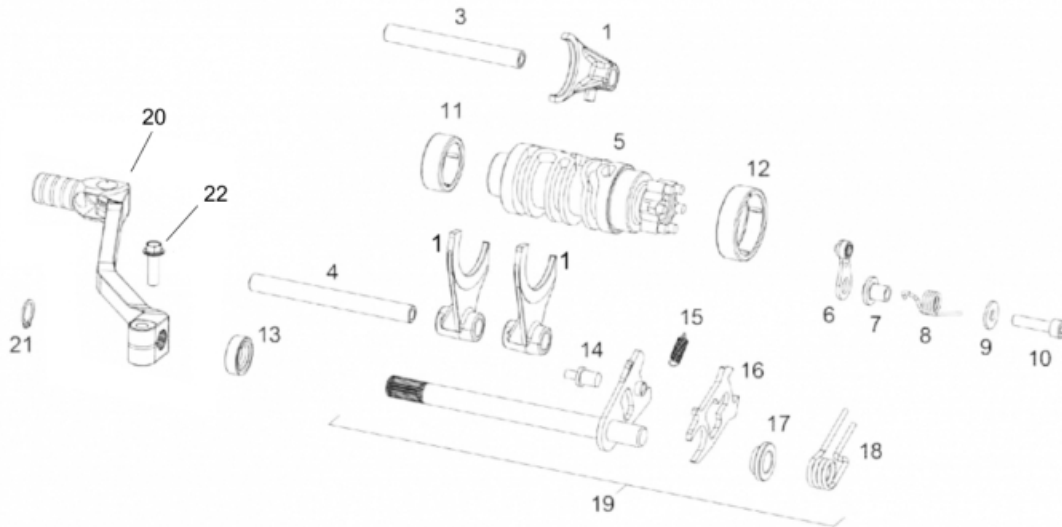
21	<ul style="list-style-type: none"> ● SPACER ME25616008 (u. 1) 	
22	<ul style="list-style-type: none"> ● CLUCTH OUTER CENTRIFUGAL EC 2015 ME59030GG-CEQ-1 (u. 1) 	OBSOLETE
23	<ul style="list-style-type: none"> ● AXLE CENTRIFUGAL EC 2015 ME59015GG-CEQ-1 (u. 1) 	
24	<ul style="list-style-type: none"> ● 8mm Clutch Ball Bearing 50cc ME25616033 (u. 6) 	OBSOLETE
25	<ul style="list-style-type: none"> ● 6X2 OÆRING ME25616045 (u. 1) 	
26	<ul style="list-style-type: none"> ● ARAMOF LA APYO SPRING EC 300 2015 ME59025GG-CEQ-1 (u. 1) - 250cc / 300cc 	OBSOLETE
27	<ul style="list-style-type: none"> ● WATER PUMP PINION AXIS 0/000.190.9104 (u. 1) 	
28	<ul style="list-style-type: none"> ● BEARING 6000 C3Z=M03313001 0/000.960.9107 (u. 1) 	
29	<ul style="list-style-type: none"> ● WATER PUMP SEEGER D.26 0/000.300.9106 (u. 1) 	
30	<ul style="list-style-type: none"> ● WATERPUMP SEAL 0/000.890.9104 (u. 1) 	
31	<ul style="list-style-type: none"> ● WATER PUMP IMPELLER 0/005.220.9100 (u. 1) 	
32	<ul style="list-style-type: none"> ● PINION CENTRIFUGAL EC 300 2015 ME59050GG-CEQ-1 (u. 1) 	
34	<ul style="list-style-type: none"> ● SECONDARY WASHER WATERPUMP 25.8x17.5x0.5 0/000.440.9103 (u. 1) 	
35	<ul style="list-style-type: none"> ● CENTRIFUGAL COMPLETE EC 200 2019 0/000.640.9102 (u. 1) - 200 CC 	
	<ul style="list-style-type: none"> ● CENTRIFUGAL COMPLETE EC 300 2015 0/000.640.9101 (u. 1) - 300 CC 	
36	<ul style="list-style-type: none"> ● ARANDELA 15X28X0.8 Y00.25406408 (u. 1) 	OBSOLETE
37	<ul style="list-style-type: none"> ● TUERCA HEXAGONAL 6 M5 T2706050 (u. 1) 	OBSOLETE
38	<ul style="list-style-type: none"> ● TORNILLO DE AJUSTE HEXA.INT.M5X16 T0325016 (u. 1) 	OBSOLETE
39	<ul style="list-style-type: none"> ● BEARING BALL 619/8-ZZ 0/000.960.9105 (u. 1) 	

REED VALVE



1	<ul style="list-style-type: none"> ● CAJA LAMINAS V405D 0/005.600.9102 (u. 1) - CAJA LÁMINAS 2024 ● REED VALVE ASSEMBLY V-FORCE 4 0/005.600.9100 (u. 1) 	OBSOLETE
2	<ul style="list-style-type: none"> ● CLAMP S56/9 W1 ZINC 0/000.680.9109 (u. 1) 	
3	<ul style="list-style-type: none"> ● MANIFOLD ADMISION ENDURO 2018 0/000.290.9116 (u. 1) 	
4	<ul style="list-style-type: none"> ● SEAL BOX REED VALVES MANIFOLD ENDURO 2018 0/000.490.9114 (u. 1) 	
5	<ul style="list-style-type: none"> ● SPECIAL BOLT 6x25 DIN 6921 GEOMET 10.9 0/000.460.9121 (u. 6) 	
6	<ul style="list-style-type: none"> ● CRANKCASE REED VALVE GASKET 0/000.490.9120 (u. 1) 	
7	<ul style="list-style-type: none"> ● REED VALVE SET ME27000GG-CAB-1 (u. 2) 	

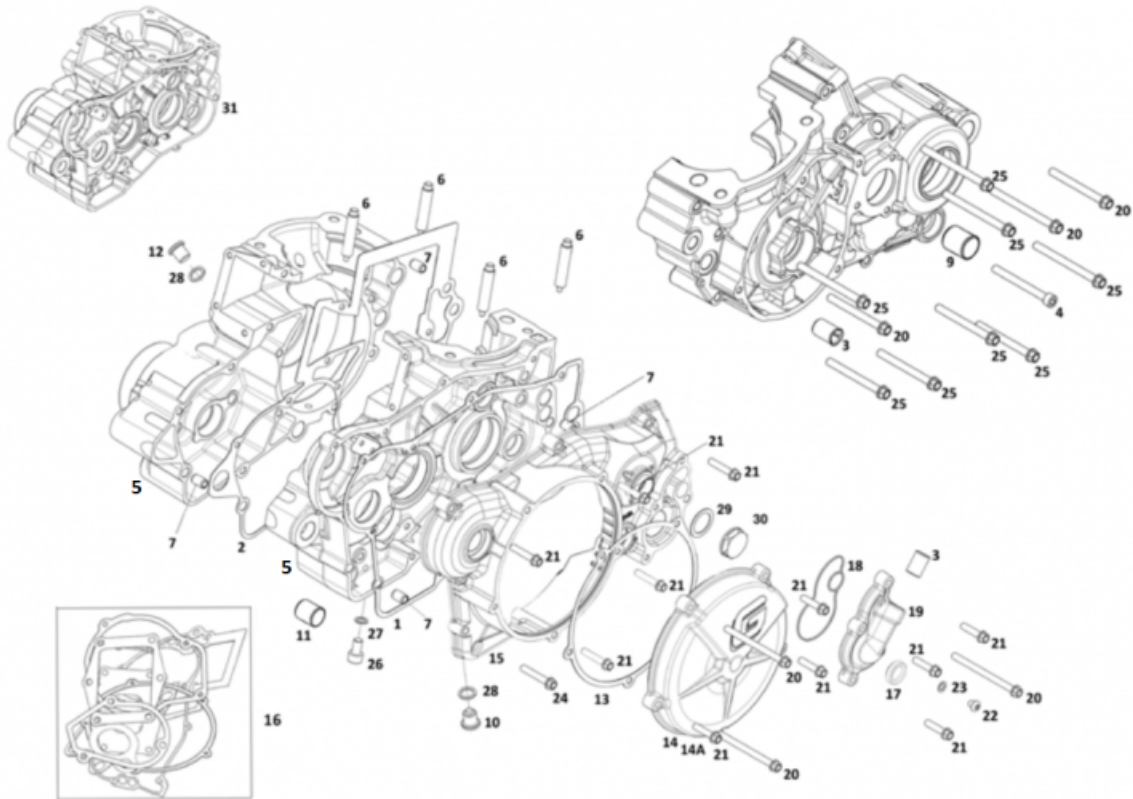
CHANGE SHAFT



1	<ul style="list-style-type: none"> ● SET PRIMA. AND SECOND ENDURO 2018 ME47000CT-CLJ-1 (u. 1)
3	<ul style="list-style-type: none"> ● SHORT FORK AXIS 5-6 0/000.190.9107 (u. 1)
4	<ul style="list-style-type: none"> ● FORK AXIS 1-2-3-4 0/000.190.9106 (u. 1)
5	<ul style="list-style-type: none"> ● SHIFT CAM EC 0/005.090.9100 (u. 1)
6	<ul style="list-style-type: none"> ● GEAR LEVER END 0/005.560.9100 (u. 1)
7	<ul style="list-style-type: none"> ● GEAR BUSHING 0/000.480.9122 (u. 1)
8	<ul style="list-style-type: none"> ● GEAR FASTEN SPRING 0/000.470.9108 (u. 1)
9	<ul style="list-style-type: none"> ● WASHER 6x16x1.5 DIN 125 ZINC 0/000.440.9125 (u. 1)
10	<ul style="list-style-type: none"> ● SPECIAL BOLT 6x25 DIN 6921 GEOMET 10.9 0/000.460.9121 (u. 1)
11	<ul style="list-style-type: none"> ● SHIFT CAM BEARING 0/000.960.9111 (u. 1)
12	<ul style="list-style-type: none"> ● SHIFT CAM BEARING 0/000.960.9110 (u. 1)
13	<ul style="list-style-type: none"> ● SEAL 12227 0/000.890.9107 (u. 1)
14	<ul style="list-style-type: none"> ● SELECTOR SPRING SCREW 0/000.460.9110 (u. 2)
15	<ul style="list-style-type: none"> ● SCORPION SPRING ME25636039 (u. 1)

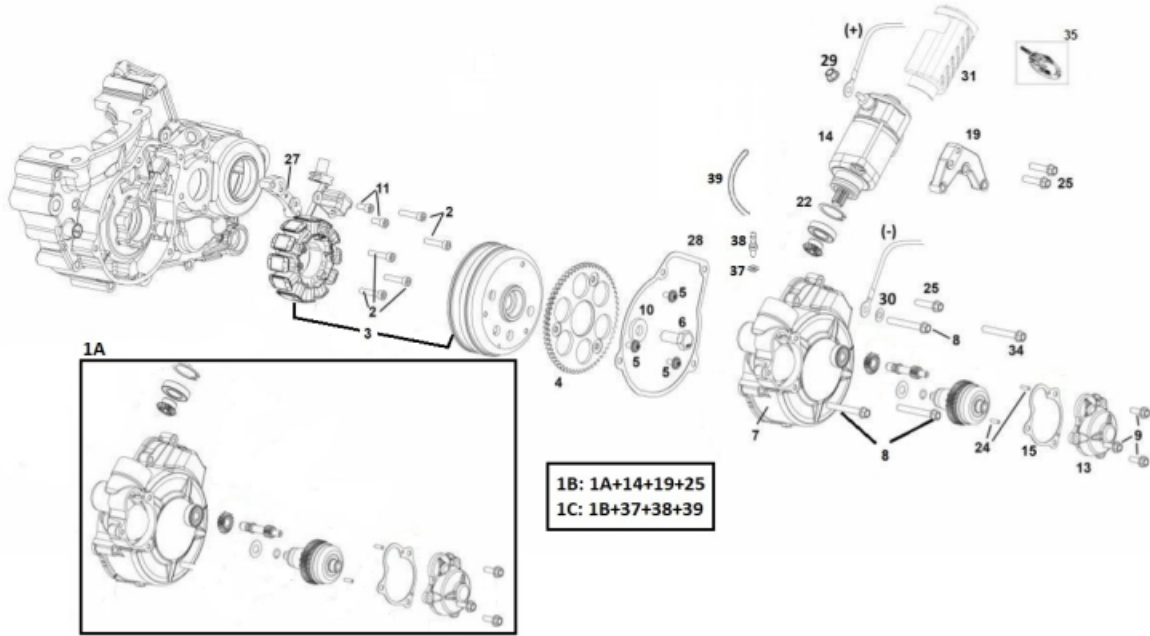
16	<ul style="list-style-type: none"> ● SCORPION ME250236036 (u. 1) 	
17	<ul style="list-style-type: none"> ● SCORPION CENTRER BUSHING ME250236041 (u. 1) 	
18	<ul style="list-style-type: none"> ● SELECTOR SPRING ME25636035 (u. 1) 	
19	<ul style="list-style-type: none"> ● GEAR FASTEN SET 0/005.010.9100 (u. 1) 	
20	<ul style="list-style-type: none"> ● CHANGE PEDAL MR 2022 0/005.430.9104 (u. 1) 	
21	<ul style="list-style-type: none"> ● SEEGER 12X1 0/000.300.9104 (u. 1) 	
22	<ul style="list-style-type: none"> ● BOLT 6x20 DIN 6921 GEOMET 10.9 0/000.460.9120 (u. 1) 	OBSOLETE
	<ul style="list-style-type: none"> ● TORN.ESP. DIN 6921 Hex.8 TX30 M6x20 Cal.10.9 GEOMET 0/000.460.9181 (u. 1) 	
	<ul style="list-style-type: none"> ● TORN.ESP. DIN 6921 Hex.8 TX30 M6x20 Cal.10.9 GEOMET 0/000.460.9181 (u. 1) 	

CARTER



1	<ul style="list-style-type: none"> ● CLUTCH COVER GASKET 0,5mm 0/000.490.9108 (u. 1)
2	<ul style="list-style-type: none"> ● GASKET CRANKCASE 2018 0/000.490.9118 (u. 1)
3	<ul style="list-style-type: none"> ● WATER INLET FITTING 0/000.480.9123 (u. 2)
4	<ul style="list-style-type: none"> ● ALLEN BOLT 6x60 DIN 912 ZINC 12.9 0/000.460.9150 (u. 1)
5	<ul style="list-style-type: none"> ● CRANKCASE KIT EC2018 ME10000CT-CLJ-1 (u. 1) - 300 CC ● SET CRANKCASE ENDURO 200 2018 ME10000CT-CLP-1 (u. 1) - 200 CC
6	<ul style="list-style-type: none"> ● CYLINDER PIN 0/000.280.9100 (u. 4)
7	<ul style="list-style-type: none"> ● ENGINE CASE LOCATER BUSHING 0/000.480.9119 (u. 4)
9	<ul style="list-style-type: none"> ● BRAKE PEDAL BUSHING 12X15. 0/000.480.9117 (u. 1)
10	<ul style="list-style-type: none"> ● PLUG EMPTY OIL 0/000.410.9104 (u. 1)
11	<ul style="list-style-type: none"> ● BRAKE PEDAL BUSHING 1212PD 0/000.480.9105 (u. 1)
12	<ul style="list-style-type: none"> ● PLUG LOAD OIL 0/000.410.9103 (u. 1)
13	<ul style="list-style-type: none"> ● DISCS COVER GASKET 2014 0/000.490.9104 (u. 1)
14	<ul style="list-style-type: none"> ● COVER DISC CLUTCH GRAY 0/000.350.9105 (u. 1)

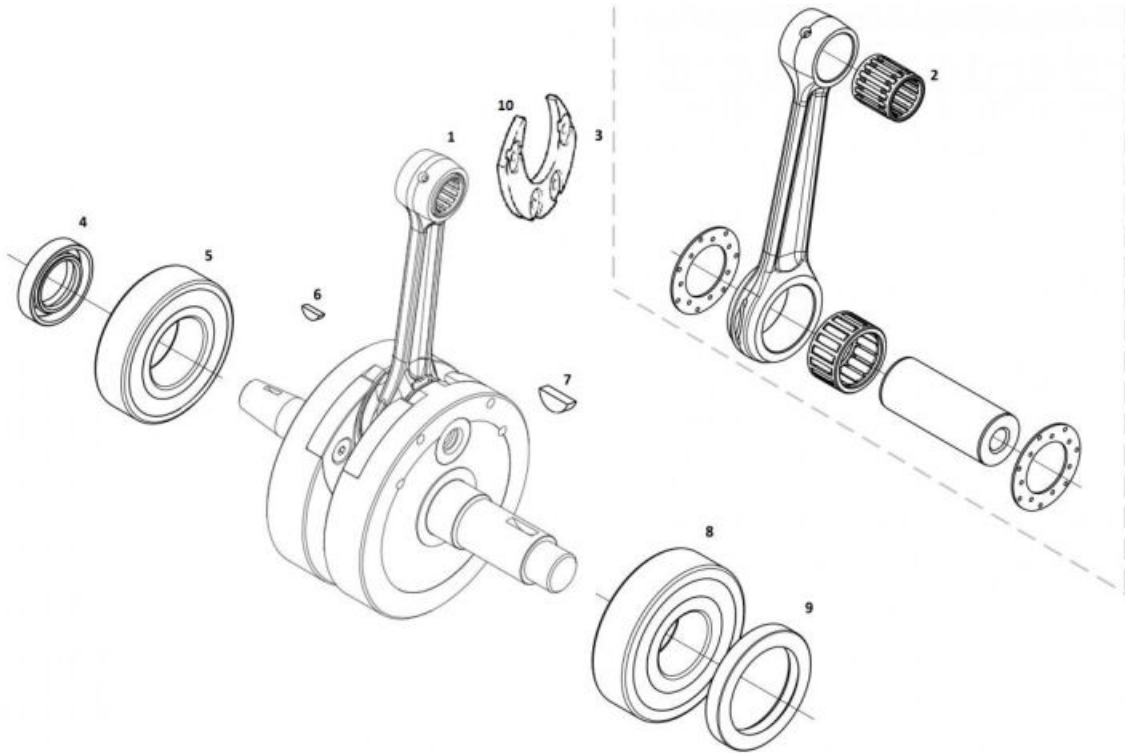
	<ul style="list-style-type: none"> SIGHT GLASS OIL 0/000.410.9106 (u. 1)
15	<ul style="list-style-type: none"> CASQUILLO ROSCADO TAPON CENTRIFUGO 0/000.980.9131 (u. 1)
	<ul style="list-style-type: none"> KICKSTARTER OIL SEAL 20X30X7 0/000.890.9105 (u. 1)
	<ul style="list-style-type: none"> COVER CLUTCH GRAY RAL (9006) 0/000.350.9107 (u. 1)
16	<ul style="list-style-type: none"> SET GASKETS 250-300 EC 2018 ME94610CT-CLJ-1 (u. 1)
17	<ul style="list-style-type: none"> SIGHT GLASS OIL 0/000.410.9106 (u. 1)
18	<ul style="list-style-type: none"> WATER PUMP COVER GASKET 0/000.490.9115 (u. 1)
19	<ul style="list-style-type: none"> PUMP COVER WATER 0/000.220.9124 (u. 1)
20	<ul style="list-style-type: none"> HEAD SCREW 6x75 DELTA PROTEK 12.9 0/000.460.9129 (u. 6)
21	<ul style="list-style-type: none"> SPECIAL BOLT 6x25 DIN 6921 GEOMET 10.9 0/000.460.9121 (u. 11)
22	<ul style="list-style-type: none"> SCREW SPECIAL 6X10+WASHER GEOMET 10.9 0/000.460.9133 (u. 1)
23	<ul style="list-style-type: none"> HEAD BOLT WASHE 6x10x1.5 0/000.440.9122 (u. 1)
24	<ul style="list-style-type: none"> SPECIAL BOLT 6X35 DIN 6921 GEOMET 0/000.460.9124 (u. 1)
25	<ul style="list-style-type: none"> HEAD SCREW 6x60 DELTA PROTEK 10.9 0/000.460.9128 (u. 8)
27	<ul style="list-style-type: none"> COPPER WASHER 8x12x1 DIN 125 A ISO 7089 0/000.440.9128 (u. 1)
28	<ul style="list-style-type: none"> SPARK PLUG WASHER 12X18X2 0/000.440.9114 (u. 2)
29	<ul style="list-style-type: none"> O-RING 20 x 1.5 NBR 70 0/000.490.9116 (u. 1)
30	<ul style="list-style-type: none"> CAP ADJUSTMENT CENTRIFUGAL 0/000.410.9105 (u. 1)
31	<ul style="list-style-type: none"> CRANKCASE KIT EC2018 ME10000CT-CLJ-1 (u. 1) - 250cc / 300cc
32	<ul style="list-style-type: none"> ENGINE CASE LOCATER BUSHING 0/000.480.9119 (u. 2)

FLYWHEEL - STARTER ENGINE


1B	<ul style="list-style-type: none"> ELECTRIC STARTER KIT 2022 0/005.480.9102 (u. 1) - <i>WITH STARTER ENGINE</i>
1A	<ul style="list-style-type: none"> ELECTRIC STARTER KIT 2022 + BENDIX 0/005.480.9103 (u. 1) - <i>WITHOUT STARTER ENGINE</i>
1C	<ul style="list-style-type: none"> ELECTRIC STARTER KIT 2022 + DEVAPORIZER 0/K05.480.9102 (u. 1) - <i>WITH STARTER ENGINE</i>
2	<ul style="list-style-type: none"> ALLEN BOLT 5x25 DIN 912 DRACOMET 8.8 0/000.460.9146 (u. 5)
3	<ul style="list-style-type: none"> SET FLYWHEEL MR 2022 0/005.820.9104 (u. 1)
4	<ul style="list-style-type: none"> ELECTRIC START SPROCKET EC 2015 0/005.400.9102 (u. 1)
5	<ul style="list-style-type: none"> TORX CABEZA ABOM.WASHER 5X8 ISO 7380-2 10.9 0/000.460.9154 (u. 3)
6	<ul style="list-style-type: none"> VISS EXAG. 10x25 GEOMET 0/000.460.9112 (u. 1)
8	<ul style="list-style-type: none"> HEAD SCREW 6x40 GEOMET 10.9 0/000.460.9125 (u. 1)
9	<ul style="list-style-type: none"> HEAD SCREW 5x15 DIN 6921 GEOMET 10.9 0/000.460.9115 (u. 3)
11	<ul style="list-style-type: none"> ALLEN BOLT 5x10 DIN 912 ZINC 12.9 0/000.460.9145 (u. 2)
13	<ul style="list-style-type: none"> COVER BENDIX EC 2015 EE80130GG-CBR-2 (u. 1)
14	<ul style="list-style-type: none"> STARTING-ENGINE.EC 2015 PHI50mm 0/005.480.9100 (u. 1)
15	<ul style="list-style-type: none"> SEAL COVER BENDIX EC 2015 EE80135GG-CBR-1 (u. 1)
19	<ul style="list-style-type: none"> ELECTRIC START ENGINE BRACKET EC 2015 0/000.980.9111 (u. 1)
24	<ul style="list-style-type: none"> NOZZLE DIN5402-3 TYPE BF DIAM-3X9.8 FLAT EE80140GG-CBR-1 (u. 2)
25	<ul style="list-style-type: none"> SPECIAL BOLT 6x25 DIN 6921 GEOMET 10.9 0/000.460.9121 (u. 3)

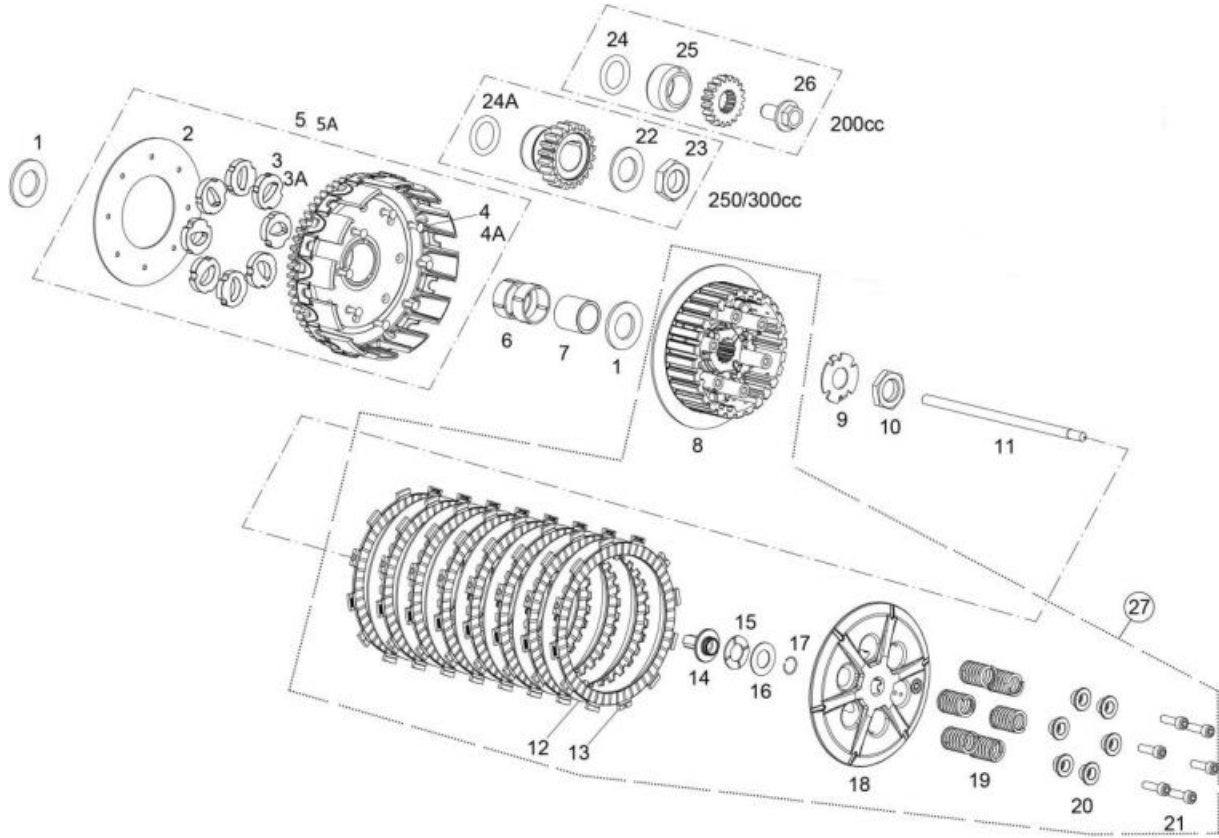
27	<ul style="list-style-type: none"> ADAPTOR PULSER HIDRIA EC 2014 V2 0/000.980.9109 (u. 1)
28	<ul style="list-style-type: none"> GASKET COVER IGNITION 0/000.490.9119 (u. 1)
29	<ul style="list-style-type: none"> NUT WASHER 6mm DIN 6923 ZINC 8 0/000.340.9116 (u. 1)
30	<ul style="list-style-type: none"> WASHER 6x12x1.5 DIN 125 ZINC 0/000.440.9124 (u. 1)
31	<ul style="list-style-type: none"> COVER STARTER ELECTRIC EC 2018 0/000.220.9119 (u. 1)
32	<ul style="list-style-type: none"> ALLEN BOLT 6X45 DIN 912 ZINC 12.9 0/000.460.9149 (u. 1)
33	<ul style="list-style-type: none"> 6X40 SPECIAL SCREW DIN 912 ZINC 12.9 0/000.460.9148 (u. 1)
34	<ul style="list-style-type: none"> TORN.ESP. DIN 6921 Hex.8 TX30 M6x50 Fil.20 Cal.10.9 GEOMET 0/000.460.9186 (u. 1)
	<ul style="list-style-type: none"> TORN.ESP. DIN 6921 Hex.8 TX30 M6x50 Fil.20 Cal.10.9 GEOMET 0/000.460.9186 (u. 1)
	<ul style="list-style-type: none"> HEAD SCREW 6x50 DIN 6921 GEOMET 10.9 0/000.460.9126 (u. 1)
35	<ul style="list-style-type: none"> STARTER MOTOR BRUSHES EE80010GG-CBR-1 (u. 1)
37	<ul style="list-style-type: none"> Fiber Washer, 6X10X1.5 0/000.440.9123 (u. 1)
38	<ul style="list-style-type: none"> CRANKCASE VENT NIPPLE D.3 0/000.630.9105 (u. 1)
39	<ul style="list-style-type: none"> TUBO COPOLAN-NBR-NVC Ø5 x Ø9 x 450 0/000.290.9126 (u. 1)

OBSOLETE

CRANKSHAFT


1	<ul style="list-style-type: none"> ● SET CRANCKSHAFT ENDURO 2018 0/005.380.9100 (u. 1) - 300 CC ● CRANCKSHAFT EC200-2014 0/005.380.9102 (u. 1) - 200 CC
2	<ul style="list-style-type: none"> ● Piston Pin Bearing Pro ME25616035 (u. 1)
3	<ul style="list-style-type: none"> ● CONECTING ROD ENDURO 250 ME25612100 (u. 1)
4	<ul style="list-style-type: none"> ● LEFT SIDE CRANK SHAFT SEAL 0/000.890.9103 (u. 1)
5	<ul style="list-style-type: none"> ● BRG. CRANCKSHAFT LEFT 6206- TN9/C4 0/000.960.9115 (u. 1)
6	<ul style="list-style-type: none"> ● FLYWHEEL KEY 3x3.7xD10 TXT DIN 6888 0/005.490.9102 (u. 1)
7	<ul style="list-style-type: none"> ● CRANKSHAFT KEY (DIAM 16X5X6.5) DIN 6888 0/005.490.9100 (u. 1)
8	<ul style="list-style-type: none"> ● BRG. CRANCKSHAFT RIGHT 63/28-HN3/C3 GXN 0/000.960.9116 (u. 1)
9	<ul style="list-style-type: none"> ● CRANK SEAL TB2J 38-52 7 0/000.890.9102 (u. 1)
10	<ul style="list-style-type: none"> ● COUNTERWEIGHT NYLON EC200 0/005.075.9100 (u. 1) - 200 cc ● COUNTERWEIGHT NYLON EC250300 0/005.075.9101 (u. 1) - 250-300 cc

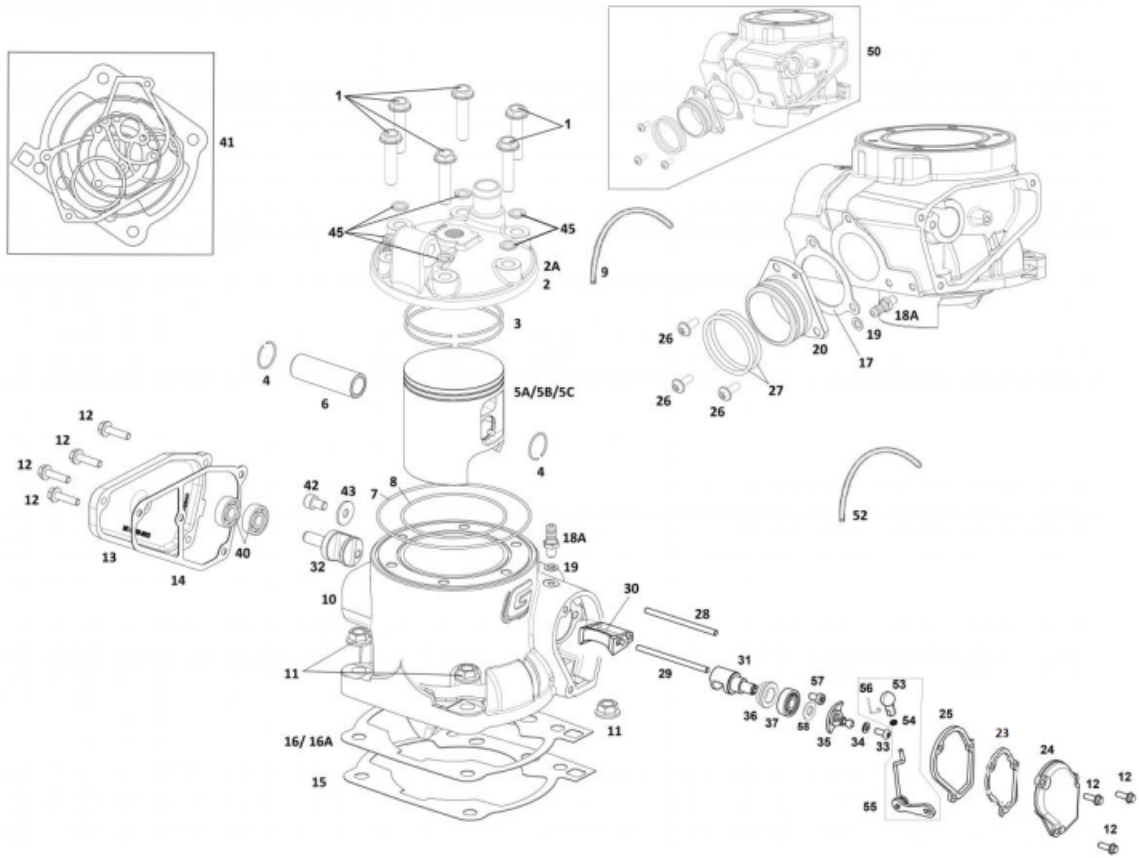
CLUTCH



1	<ul style="list-style-type: none"> ● CLUTCH 2T BELL WASHER 0/000.440.9106 (u. 2) 	
2	<ul style="list-style-type: none"> ● CLUTCH BOSS WASHER ME20932009 (u. 1) 	
3	<ul style="list-style-type: none"> ● SILENTBLOCK ME20932008 (u. 8) 	OBSOLETE
4	<ul style="list-style-type: none"> ● PRIMARY DRIVEN GEAR RIVETS ME250132010 (u. 8) 	
5	<ul style="list-style-type: none"> ● COMPLETE CLUTCH BASKE-GEAR EC 0/005.400.9104 (u. 1) - 250 / 300 CC ● PRIMARY DRIVEN GEAR SET EC200 0/005.400.9103 (u. 1) - 200 CC 	
6	<ul style="list-style-type: none"> ● PRIMARY DRIVEN GEAR BEARING 0/000.980.9113 (u. 2) 	
7	<ul style="list-style-type: none"> ● PRIMARY DRIVEN GEAR BUSHING 0/000.480.9121 (u. 1) 	
8	<ul style="list-style-type: none"> ● CLUTCH BOSS ENDURO 2018 ME22005GG-CLJ-1 (u. 1) 	
9	<ul style="list-style-type: none"> ● CLUTCH LOCK WASHER ENDURO 2018 0/000.440.9104 (u. 1) 	
10	<ul style="list-style-type: none"> ● CLUTCH BOSS NUT 0/000.340.9107 (u. 1) 	
11	<ul style="list-style-type: none"> ● CLUTCH ROD 0/000.190.9105 (u. 1) 	
12	<ul style="list-style-type: none"> ● IRON CLUTCH DISK ME22105GG-CLJ-1 (u. 7) 	
13	<ul style="list-style-type: none"> ● COVERED CLUTCH DISK ME22100GG-CLJ-1 (u. 8) - <i>BEST QUALITY</i> ● COVERED CLUTCH DISK ME25632007 (u. 8) 	

14	<ul style="list-style-type: none"> CLUTCH PRESSURE PLATE BUSHING 0/000.480.9120 (u. 1)
15	<ul style="list-style-type: none"> NEEDLES BEARING AXK 1528 0/000.960.9109 (u. 1)
16	<ul style="list-style-type: none"> BEARING WASHER 0/000.440.9107 (u. 1)
17	<ul style="list-style-type: none"> CLUTCH PRESSURE RING (DIN7993Ø14X1) 0/000.300.9102 (u. 1)
18	<ul style="list-style-type: none"> PRESSURE PLATE BEARING ME23000GG-CLJ-1 (u. 1)
19	<ul style="list-style-type: none"> SRPING CLUTCH EC 2018 ME22025GG-CLJ-1 (u. 6)
20	<ul style="list-style-type: none"> CASQ.MUELLE EMBR. EC-2018 ME22020GG-CLJ-1 (u. 6)
21	<ul style="list-style-type: none"> Allen Bolt 6x25 (clutch cover) T0306025 (u. 6)
22	<ul style="list-style-type: none"> WASHER DIN 125 D-20 ZINC 40-42HRC 0/000.440.9108 (u. 1)
23	<ul style="list-style-type: none"> CRANK SHAFT PINION LOCKING NUT EC 0/000.340.9106 (u. 1)
24	<ul style="list-style-type: none"> PRIMARY CLUTCH GEAR ORING (Ø23*5 NBR) 0/000.490.9106 (u. 1)
25	<ul style="list-style-type: none"> CRANK SHAFT BUSHING EC200 0/000.480.9127 (u. 1)
26	<ul style="list-style-type: none"> SPECIAL SCREW 12X25X125 12.9 GEOMET 0/000.460.9114 (u. 1)
27	<ul style="list-style-type: none"> SET BASKET CLUTCHENDURO 2018 0/005.350.9100 (u. 1)

CYLINDER

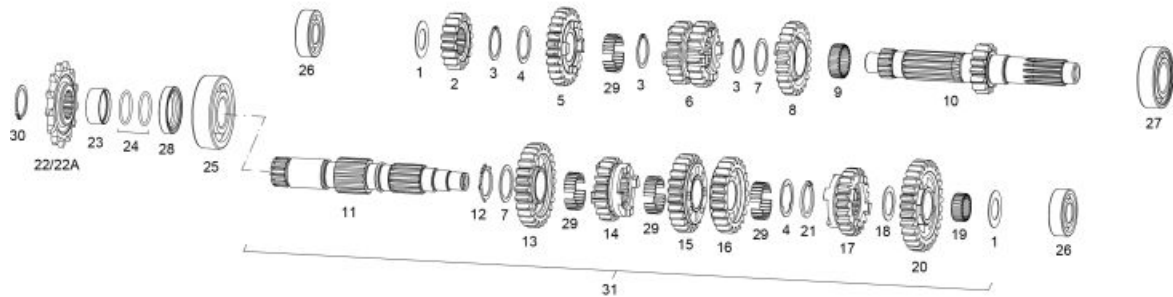


1	<ul style="list-style-type: none"> HEAD SCREW 8x35 DELTA PROTEK 10.9 0/000.460.9130 (u. 6)
2	<ul style="list-style-type: none"> HEAD CIL. ENDURO 200 2018 0/005.770.9102 (u. 1) - 200 CC CYLINDER HEAD EC 250 2018 0/005.770.9101 (u. 1) - 250 CC CYLINDER HEAD EC/XC 300 0/005.770.9100 (u. 1) - 300 CC
3	<ul style="list-style-type: none"> PISTON RINGS SET EC250 ME25616040 (u. 1) - 250cc PISTON RINGS SET EC300 ME30916040 (u. 1) - 300cc
4	<ul style="list-style-type: none"> PISTON PIN CLIPS ME25616126 (u. 2)
5C	<ul style="list-style-type: none"> C TYPE PISTON EC250 ME25616122R (u. 1) - 250cc PISTON 300CC C ME30916122R (u. 1) - 300cc
5B	<ul style="list-style-type: none"> B TYPE PISTON EC300 ME300416121 (u. 1) - 300cc B TYPE PISTON EC250 ME25616121R (u. 1) - 250cc
5A	<ul style="list-style-type: none"> PISTON (A) EC300 ME300416020 (u. 1) - 300cc PISTON (A) EC250 ME25616020R (u. 1) - 250cc
6	<ul style="list-style-type: none"> PISTON PIN EC250 ME25616125 (u. 1)

7	<ul style="list-style-type: none"> OUTER CYLINDER HEAD O/RING 0/000.490.9109 (u. 1)
8	<ul style="list-style-type: none"> INNER CYLINDER HEAD O/RING 75.92X1 0/000.490.9111 (u. 1) - 300 CC INNER CYLINDER HEAD O/RING EC200 0/000.490.9110 (u. 1) - 200 CC
9	<ul style="list-style-type: none"> CARTER BREATH TUBE (55cm) ME25610022 (u. 1)
9A	<ul style="list-style-type: none"> SET TUBE SVAPORIZADOR BLOW BY ENDURO 2018 0/000.290.9106 (u. 1)
10	<ul style="list-style-type: none"> KIT CILINDRO COMPLETO ENDURO 300 2018 0/R05.190.9100 (u. 1) - 300 CC KIT CILINDRO COMPLETO ENDURO 200 2019 0/R05.190.9102 (u. 1) - 200 CC KIT CILINDRO COMPLETO ENDURO 250 2018 0/R05.190.9101 (u. 1) - 250 CC
11	<ul style="list-style-type: none"> CYLINDER BASE NUT 8.8 10X1.5 ZINC 0/000.340.9105 (u. 4)
12	<ul style="list-style-type: none"> HEAD SCREW 5x15 DIN 6921 GEOMET 10.9 0/000.460.9115 (u. 7)
13	<ul style="list-style-type: none"> LEFT VALVE COVER 0/000.350.9104 (u. 1)
14	<ul style="list-style-type: none"> GASKET LT. VALVE COVER EC 2013 0/000.490.9113 (u. 1)
15	<ul style="list-style-type: none"> CYLINDER GASKET 015 ME25644010 (u. 1)
16	<ul style="list-style-type: none"> CYLINDER GASKET EC 0/000.490.9112 (u. 1)
16A	<ul style="list-style-type: none"> CYLINDER GASKET 03 ME25644009 (u. 1)
17	<ul style="list-style-type: none"> EXHAUST GASKET ME25644012 (u. 1)
18A	<ul style="list-style-type: none"> CRANKCASE VENT NIPPLE D.3 0/000.630.9105 (u. 2)
19	<ul style="list-style-type: none"> Fiber Washer, 6X10X1.5 0/000.440.9123 (u. 2)
20	<ul style="list-style-type: none"> ALUMINIUM EXHAUST PIPE ME250516019 (u. 1)
23	<ul style="list-style-type: none"> JUNTA TAPA VALVULA RH MR 0/000.490.9124 (u. 2)
24	<ul style="list-style-type: none"> RIGHT VALVE COVER EC 0/000.350.9108 (u. 1)
25	<ul style="list-style-type: none"> SEPARADOR TAPA VALVULA RH MR 0/000.480.9133 (u. 1)
26	<ul style="list-style-type: none"> TORX ULS SCREW 6X14 T0566014 (u. 3)
27	<ul style="list-style-type: none"> Exhaust Oring Pampera BE250526006 (u. 2)
28	<ul style="list-style-type: none"> LONG EXHAUST VALVE AXIS 93MM ME25616027 (u. 1)
29	<ul style="list-style-type: none"> HORT EXHAUST VALVE AXIS 83MM ME25616017 (u. 1)
30	<ul style="list-style-type: none"> CENTRAL EXHAUST VALVE ENDURO 250 2018 ME72005GG-CLK-1 (u. 1)
31	<ul style="list-style-type: none"> RIGHT EXHAUST VALVE ENDURO 250 2018 ME72000GG-CLK-1 (u. 1)

32	<ul style="list-style-type: none"> LEFT EXHAUST VALVE ENDURO 250 2018 ME72010GG-CLK-1 (u. 1) 	
33	<ul style="list-style-type: none"> SCREW ISO 7380 Allen M5x10 Cal.10.9 Zinc Plated 0/000.460.2000 (u. 1) 	
34	<ul style="list-style-type: none"> WASHER 5x12x1.5 DIN 125A ZINC 0/000.440.9121 (u. 1) 	
35	<ul style="list-style-type: none"> SET LEVER VALV.EXHAUST EC 2015 0/000.640.9103 (u. 1) 	
36	<ul style="list-style-type: none"> EXHAUST VALVE BEARING SPACER ME25616036 (u. 1) 	
37	<ul style="list-style-type: none"> BEARING 6000 C3Z=M03313001 0/000.960.9107 (u. 1) 	
40	<ul style="list-style-type: none"> 508Z BEARING 0/000.960.9108 (u. 2) 	
41	<ul style="list-style-type: none"> JOINT CYLINDER CYLINDER HEAD MEETINGS ME94620CT-CAB-1 (u. 1) - 300cc 	
	<ul style="list-style-type: none"> GASKET SET, CYL. AND HEAD. 250cc ME94620CT-BZX-1 (u. 1) 	
42	<ul style="list-style-type: none"> ALLEN 6X10 8.8 BOB. T0306010 (u. 2) 	OBSOLETE
	<ul style="list-style-type: none"> SCREW ALLEN 912 8.8 ZINC 6X10 0/000.460.2009 (u. 2) 	
43	<ul style="list-style-type: none"> WASHER 6x18x1.5 ZINC 0/000.440.9126 (u. 1) 	
44	<ul style="list-style-type: none"> WASHER 6x12x1.5 DIN 125 ZINC 0/000.440.9124 (u. 1) 	
45	<ul style="list-style-type: none"> COOPER WASHER 8.5x16x1.5 DIN 125 A ISO 7090 0/000.440.9130 (u. 6) 	
50	<ul style="list-style-type: none"> KIT CILINDRO COMPLETO ENDURO 300 2018 0/R05.190.9100 (u. 1) 	
	<ul style="list-style-type: none"> KIT CILINDRO COMPLETO ENDURO 250 2018 0/R05.190.9101 (u. 1) 	
51	<ul style="list-style-type: none"> HEAD BOLT WASHE 6x10x1.5 0/000.440.9122 (u. 2) 	
52a	<ul style="list-style-type: none"> SET TUBE SVAPORIZADOR BLOW BY ENDURO 2018 0/000.290.9106 (u. 1) 	
52	<ul style="list-style-type: none"> VALVE TUBE BE733001209 (u. 1) 	
53	<ul style="list-style-type: none"> SET PUSHER VALV.EXHAUST COMPLETE EC 2015 0/000.640.9104 (u. 1) 	
54	<ul style="list-style-type: none"> TUERCA M 3.5X0.6 T2503006 (u. 1) 	OBSOLETE
55	<ul style="list-style-type: none"> SET PUSHER VALV.EXHAUST COMPLETE EC 2015 0/000.640.9104 (u. 1) 	
56	<ul style="list-style-type: none"> CLIP SECURITY BALL-JOINT 0/000.840.9103 (u. 1) 	
58	<ul style="list-style-type: none"> BUSH SEPARADOR BRG. VALV.ESCAPE 0/000.480.9124 (u. 1) 	

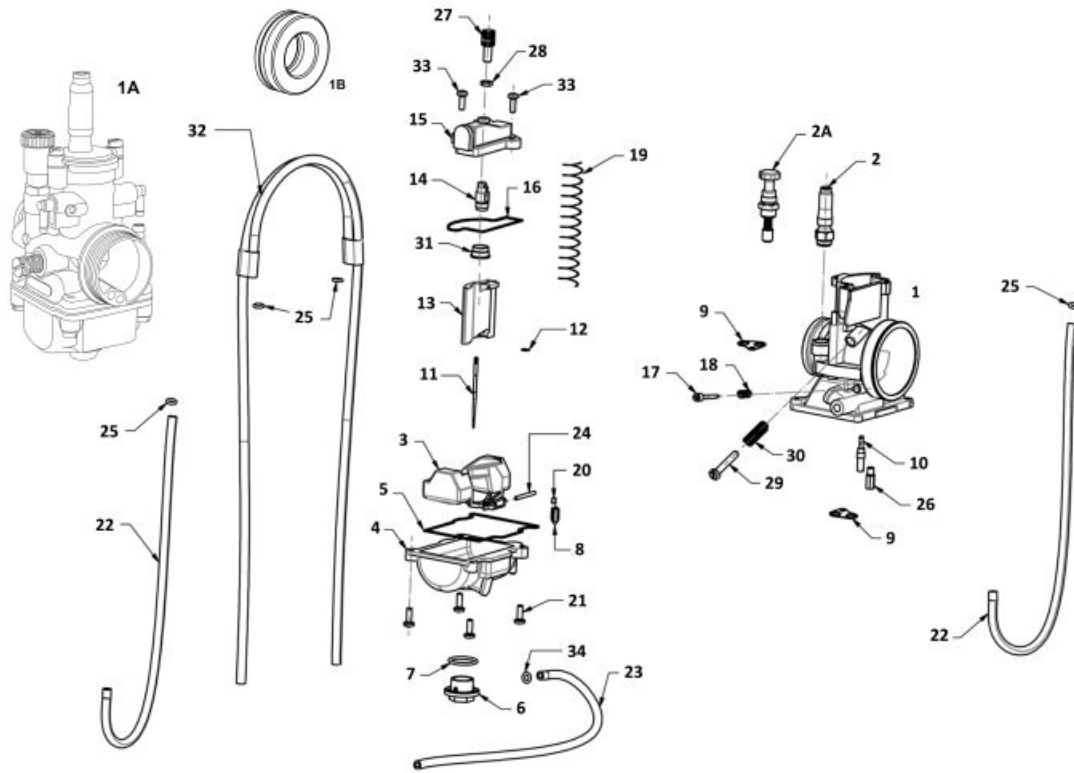
CHANGE ASSEMBLY



1	<ul style="list-style-type: none"> SHIFT WASHER 18X315X07 ME25636014 (u. 2) 	
2	<ul style="list-style-type: none"> PRIMARY II PINION ME25636071 (u. 1) 	
3	<ul style="list-style-type: none"> CIRCLIP D.25 DIN 471 0/000.300.9107 (u. 3) 	
4	<ul style="list-style-type: none"> 315X(25X22)X1 GROOVING WASHER ME25636091 (u. 2) 	
5	<ul style="list-style-type: none"> PRIMARY VI PINION ME25636074 (u. 1) 	
6	<ul style="list-style-type: none"> PRIMARY III AND IV PINION ME25636072 (u. 1) 	
7	<ul style="list-style-type: none"> 252X315X1 GEAR WASHER ME25636017 (u. 2) 	
8	<ul style="list-style-type: none"> PRIMARY V PINION ME25636073 (u. 1) 	
9	<ul style="list-style-type: none"> KICKSTART GEAR BEARING K25-29-10 0/000.960.9104 (u. 1) 	
10	<ul style="list-style-type: none"> AXLE PRIMARY EC 250-2002 ME250236070 (u. 1) 	OBSOLETE
11	<ul style="list-style-type: none"> SECONDARY AXIS ME410002508 (u. 1) 	
12	<ul style="list-style-type: none"> DIN 983 CIRCLIP ME25636095 (u. 1) 	
13	<ul style="list-style-type: none"> PINION SECONDARY II 7-26 ME42211GG-CSK-1 (u. 1) 	
14	<ul style="list-style-type: none"> SECONDARY VI PINION Z-19 ME42215GG-CSK-1 (u. 1) 	
15	<ul style="list-style-type: none"> SECONDARY III PINION ME42212GG-CSK-1 (u. 1) 	
16	<ul style="list-style-type: none"> SECONDARY IV PINION ME42213GG-CSK-1 (u. 1) 	
17	<ul style="list-style-type: none"> SECONDARY V PINION ME42214GG-CSK-1 (u. 1) 	
18	<ul style="list-style-type: none"> 208X29X1 GEAR WASHER ME25636016 (u. 1) 	
19	<ul style="list-style-type: none"> K20X24X10 NEEDLES BEARING 0/000.960.9114 (u. 1) 	

20	<ul style="list-style-type: none"> SECUNDARY I PINION ME42210GG-CSK-1 (u. 1)
21	<ul style="list-style-type: none"> CIRCLIP D.25 DIN 471 REBAIXAD D.2 SE03025200009 (u. 1)
22	<ul style="list-style-type: none"> Z13 EXIT PINION 0/005.400.9112 (u. 1)
22A	<ul style="list-style-type: none"> OUTER SPROCKET Z12 0/005.400.9113 (u. 1)
23	<ul style="list-style-type: none"> SEAL BUSHING 0/000.260.9100 (u. 1)
24	<ul style="list-style-type: none"> SHAFT O'RING 25x2 0/000.490.9107 (u. 2)
25	<ul style="list-style-type: none"> SHIFT BEARING 6305 C3 0/000.960.9113 (u. 1)
26	<ul style="list-style-type: none"> SHIFT BEARING 6203C3 0/000.960.9112 (u. 2)
27	<ul style="list-style-type: none"> SHIFT BEARING 6205ZC3E 0/000.960.9106 (u. 1)
28	<ul style="list-style-type: none"> COUNTERSHAFT SEAL 30x40x7 0/000.890.9106 (u. 1)
29	<ul style="list-style-type: none"> KD22X25X98 NEEDLES BEARING 0/005.150.9101 (u. 4)
30	<ul style="list-style-type: none"> CIRCLIP D.25 DIN 471 0/000.300.9107 (u. 1)
31	<ul style="list-style-type: none"> SHIFT GEAR SET 0/005.400.9107 (u. 1)

CARBURETOR

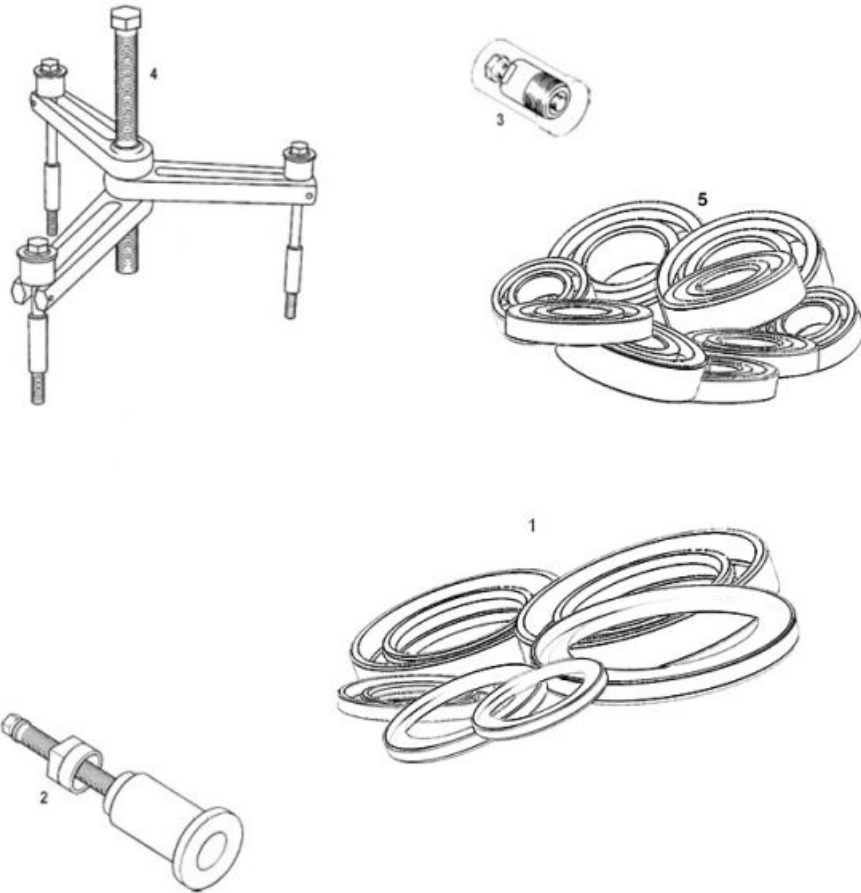


1	<ul style="list-style-type: none"> ● KEIHIN CARBURETOR PWKS 36 EC 0/005.155.9101 (u. 1) - 200 CC ● KEIHIN PWKS DIAM.38 CARBURETTOR 0/005.155.9100 (u. 1) - 300 CC
1A	<ul style="list-style-type: none"> ● CARBURADOR PHBG 21 DS ENDURO 73/33 CAMPANA 40 0/005.155.9103 (u. 1)
1B	<ul style="list-style-type: none"> ● ADAPTOR CARBURATORLL ORTO ENDURO 2018 0/005.150.9102 (u. 1)
2A	<ul style="list-style-type: none"> ● COLD STARTER KNOB SET ME25690011 (u. 1)
2	<ul style="list-style-type: none"> ● CHOKE KNOB ME25000173012 (u. 1)
3	<ul style="list-style-type: none"> ● BOYA FLOATER 1052-856-2101 ME25000183012 (u. 1)
4	<ul style="list-style-type: none"> ● CUBETA FLOATER 1050-898-2102 ME25000193012 (u. 1)
5	<ul style="list-style-type: none"> ● SEAL CUBETA FLOATER 1051-KZ40-0001 ME25000203012 (u. 1)
6	<ul style="list-style-type: none"> ● FLOAT BODY DRAIN CAP ME25690015 (u. 1)
8	<ul style="list-style-type: none"> ● AGUJA FLOTADOR 1062-814-2103 ME25000213012 (u. 1)
10	<ul style="list-style-type: none"> ● SLOW JET #40 0/005.991.9107 (u. 1)
10A	<ul style="list-style-type: none"> ● CHICLE RALENTI 45 0/005.991.9103 (u. 1)
10B	<ul style="list-style-type: none"> ● SLOW JET #42 (N424-21042) 0/005.991.9105 (u. 1)
11C	<ul style="list-style-type: none"> ● NOZZLE NOZH N427-OZH00 ME120690435 (u. 1)

11B	<ul style="list-style-type: none"> NEEDLE N1EG ME250290428 (u. 1)
11	<ul style="list-style-type: none"> KEIHIN N1EF NEEDLE 0/005.150.9100 (u. 1)
11A	<ul style="list-style-type: none"> NEEDLE N1EE ME250290427 (u. 1)
12	<ul style="list-style-type: none"> NEEDLE CLIP ME25690021 (u. 1)
13	<ul style="list-style-type: none"> VALVE N°7 N502-66F00 0/005.150.9103 (u. 1)
14	<ul style="list-style-type: none"> NEEDLE HOLDER ME25690023 (u. 1)
15	<ul style="list-style-type: none"> TAP COMP. 1030-A92A-0000 ME25000243012 (u. 1)
16	<ul style="list-style-type: none"> GASKET O'RING TAP. COMPU. 1202-882-6000 ME25000253012 (u. 1)
17	<ul style="list-style-type: none"> VISS. REGULATION ME25000263012 (u. 1)
18	<ul style="list-style-type: none"> MUELLE TORN.REGUL.AIRE 1300-416H-9900 ME25000273012 (u. 1)
19	<ul style="list-style-type: none"> SPRING VALVE 1290-A53-2000 ME25000283012 (u. 1)
20	<ul style="list-style-type: none"> FLOAT CLIP ME25690027 (u. 1)
21	<ul style="list-style-type: none"> TORN.CUBETA 93500-04014-1H ME25000293012 (u. 4)
22	<ul style="list-style-type: none"> TUBO RESPIRADERO 0803-868-0000 ME25000303012 (u. 2)
23	<ul style="list-style-type: none"> TUBO RESPIRADERO-2 0803-869-0000 ME25000313012 (u. 1)
24	<ul style="list-style-type: none"> FLOAT AXLE ME25690033 (u. 1)
25	<ul style="list-style-type: none"> CLIP ME25690034 (u. 4)
26	<ul style="list-style-type: none"> MAIN JET #170 0/005.991.9106 (u. 1) MAIN JET #175 (99101-357-1750) 0/005.991.9104 (u. 1)
27	<ul style="list-style-type: none"> SENSOR CABLE W9581-59250 ME25000323012 (u. 1)
28	<ul style="list-style-type: none"> NUT TENSOR CABLE 1793-130H-9900 ME25000333012 (u. 1)
29	<ul style="list-style-type: none"> SLOW JET ADJUSTING BOLT ME25690038 (u. 1)
30	<ul style="list-style-type: none"> ADJUSTING BOLT SPRING ME25690039 (u. 1)
31	<ul style="list-style-type: none"> CARBURETOR COVER SPRING BUSHING ME25690040 (u. 1)
32	<ul style="list-style-type: none"> TUBE VENTILACIÒN 0803-862-0100 ME25000343012 (u. 1)
33	<ul style="list-style-type: none"> VISS. TAP COMP. ME25000353012 (u. 2)
34	<ul style="list-style-type: none"> CLIP TUBO RESPIRADERO-2 W9535-25000 ME25000363012 (u. 1)
35	<ul style="list-style-type: none"> STOP THROTTLE CABLE ME250690010 (u. 1)

OBSOLETE

ENGINE TOOLS



1	<ul style="list-style-type: none"> ● SET SEAL EC 250-300 ME906002510 (u. 1) 	
2	<ul style="list-style-type: none"> ● EXTRACTOR COJINETE CIGUEÑAL ME25950000 (u. 1) 	OBSOLETE
3	<ul style="list-style-type: none"> ● Flywheel Puller Pro MT280234045 (u. 1) 	
4	<ul style="list-style-type: none"> ● EXTRACTOR CARTER ME25950005 (u. 1) 	OBSOLETE
5	<ul style="list-style-type: none"> ● KIT COJINETES MOTOR EC 250 300 2018 ME90500CT-CLJ-1 (u. 1) 	