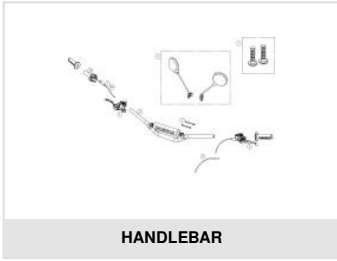


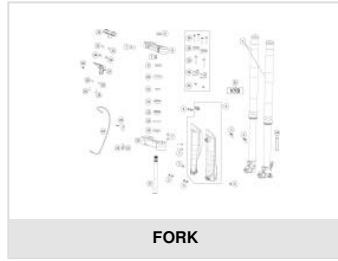


# MR 200 RANGER WHITE 2024

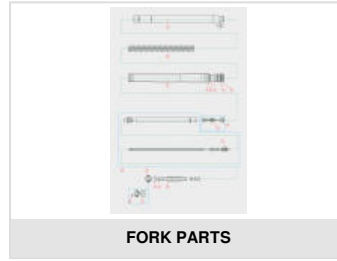
## Exploded



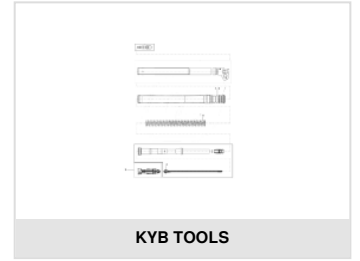
**HANDLEBAR**



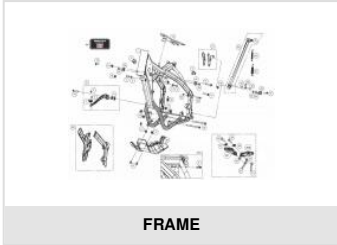
**FORK**



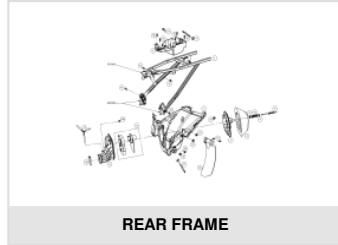
**FORK PARTS**



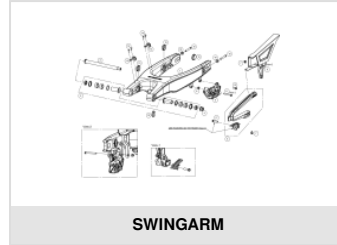
**KYB TOOLS**



**FRAME**



**REAR FRAME**



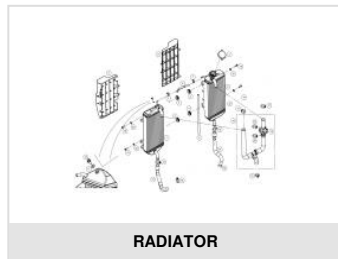
**SWINGARM**



**SHOCK ABSORBER**



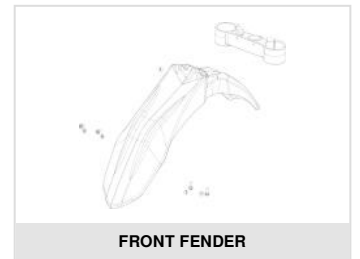
**SHOCK ABSORBER**



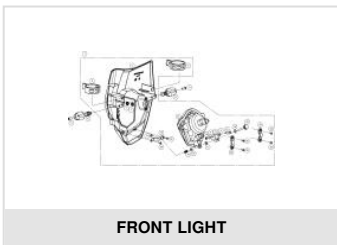
**RADIATOR**



**ELECTRICAL PARTS**



**FRONT FENDER**



**FRONT LIGHT**



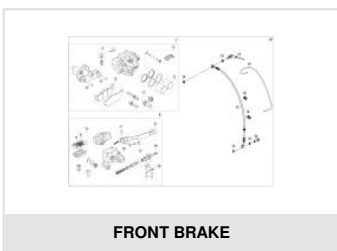
**TANK**



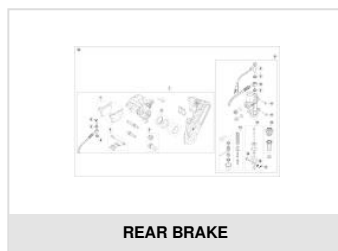
**REAR FAIRING**



**EXHAUST SYSTEM**



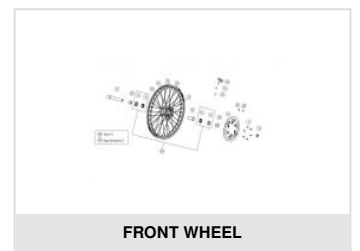
**FRONT BRAKE**



**REAR BRAKE**



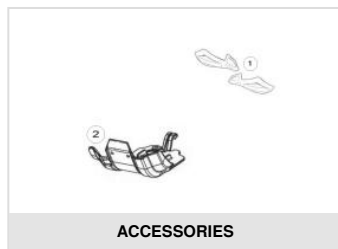
**CLUTCH CONTROL**



**FRONT WHEEL**



**REAR WHEEL**



**ACCESSORIES**



**STICKERS**



**ACCESSORIES**



**ELECTRICAL FAN**



**TRANSPARENT STICKER**

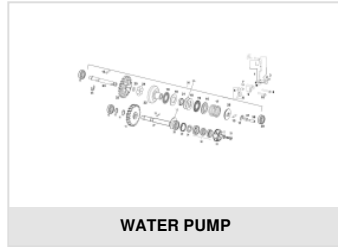


**FAIRING**

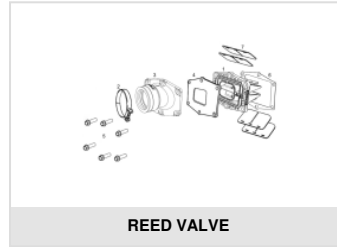
**ENGINE MR 2022 V2**



**KICK STARTER**



**WATER PUMP**



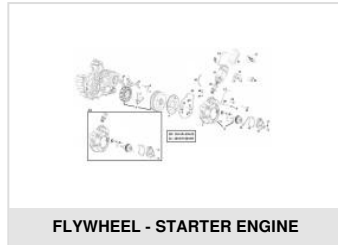
**REED VALVE**



**CHANGE SHAFT**



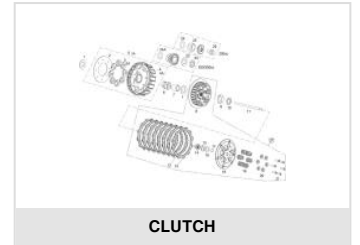
**CARTER**



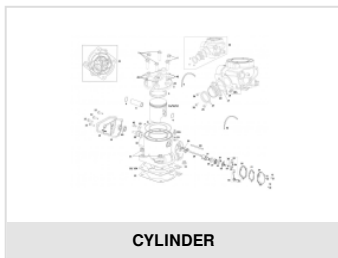
**FLYWHEEL - STARTER ENGINE**



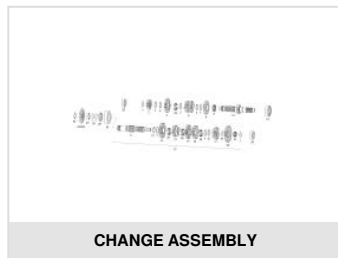
**CRANKSHAFT**



**CLUTCH**



**CYLINDER**



**CHANGE ASSEMBLY**

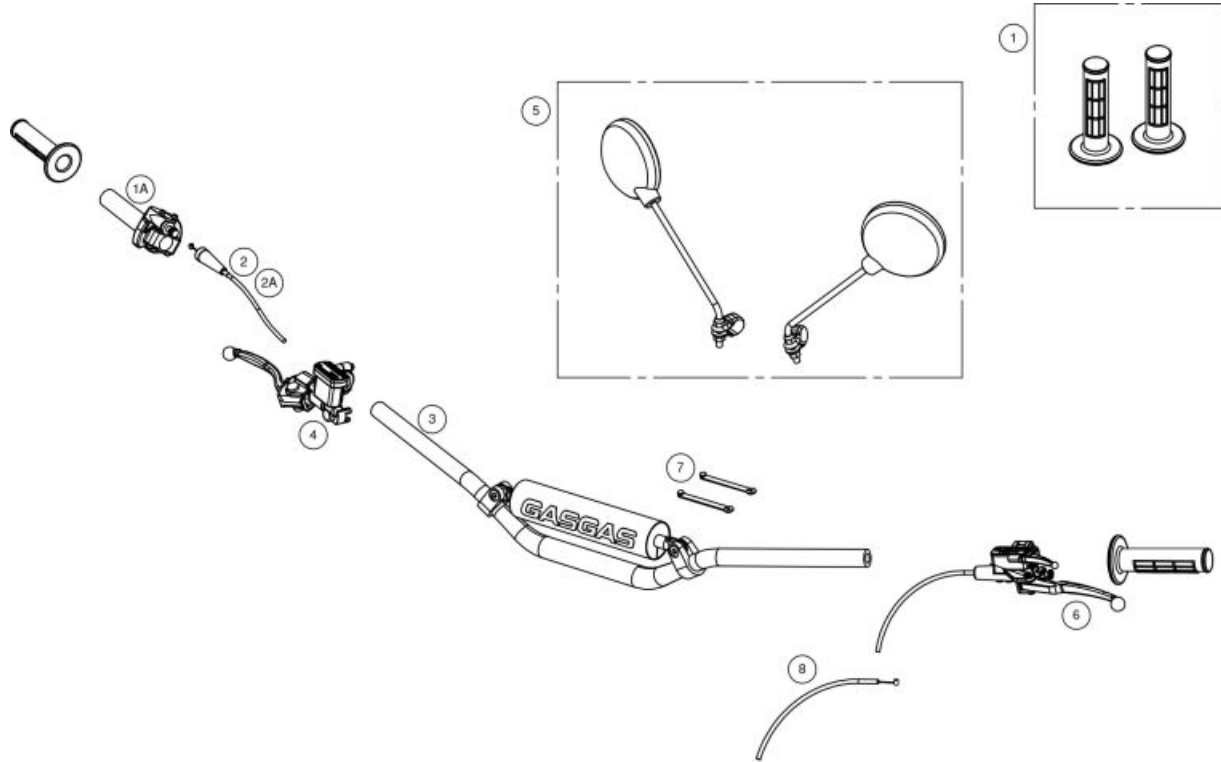


**CARBURETOR**



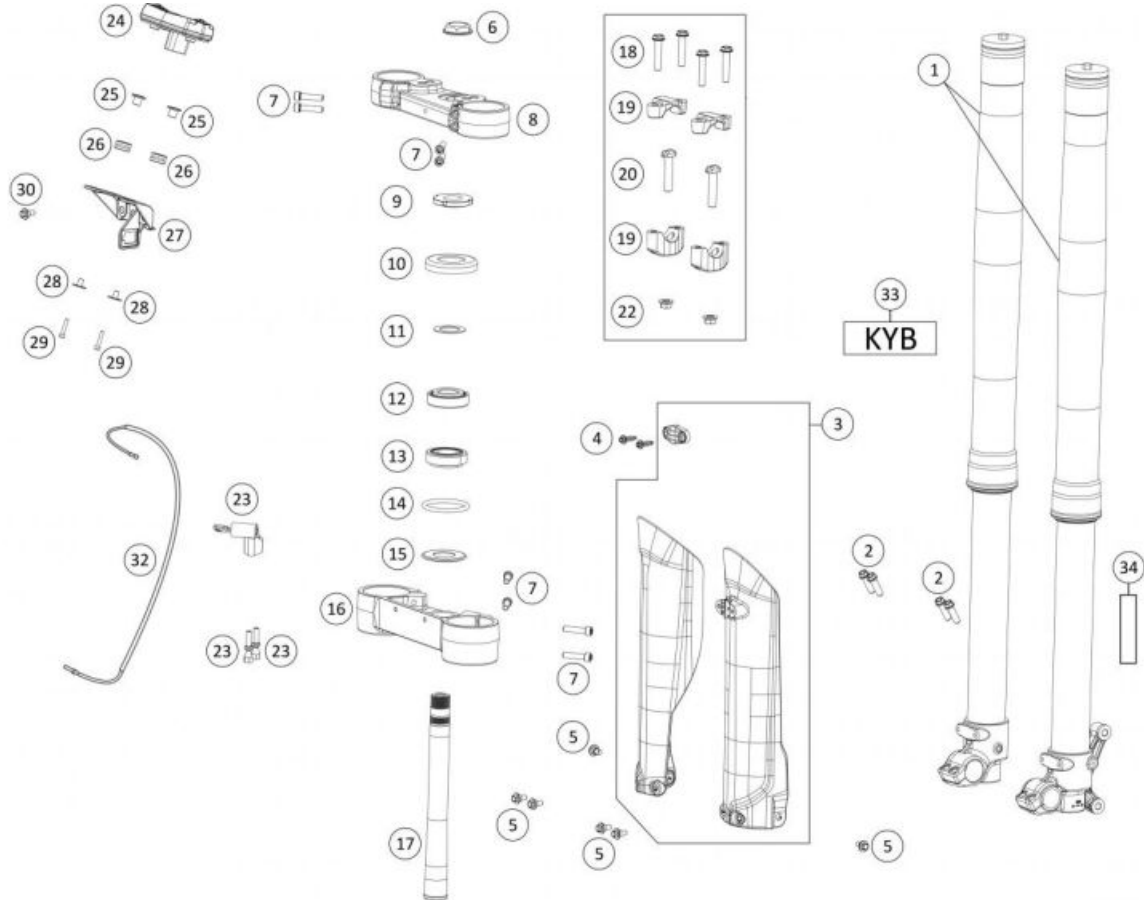
**ENGINE TOOLS**

**HANDLEBAR**



1	<ul style="list-style-type: none"> <li>GRIPS BLACK 0/000.530.9101 (u. 1)</li> </ul>	
1A	<ul style="list-style-type: none"> <li>TWIST GRIP 0/000.530.9100 (u. 1)</li> </ul>	
2	<ul style="list-style-type: none"> <li>THROTTLE CABLE EC 2018 0/000.550.9101 (u. 1)</li> </ul>	
2A	<ul style="list-style-type: none"> <li>THROTTLE CABLE EC 2018 HOMOL. 0/000.550.9102 (u. 1)</li> </ul>	
3	<ul style="list-style-type: none"> <li>EC RACING HANDLEBAR 2014 0/000.170.9100 (u. 1)</li> </ul>	<b>OBSOLETE</b>
4	<ul style="list-style-type: none"> <li>FRONT BREAK PUMP ECRANGER BE61000CT-CTR-1 (u. 1)</li> </ul>	
5	<ul style="list-style-type: none"> <li>SET MIRROR (REG 81) 0/000.990.9100 (u. 1)</li> </ul>	
6	<ul style="list-style-type: none"> <li>COMPLETE MAGURA CLUTCH PUMP, 9.5 (167) 0/000.830.9101 (u. 1)</li> </ul>	
7	<ul style="list-style-type: none"> <li>CLAMP 0/000.680.0060 (u. 2)</li> </ul>	
	<ul style="list-style-type: none"> <li>RUBBER CABLE TIES 0/000.360.9110 (u. 2)</li> </ul>	
8	<ul style="list-style-type: none"> <li>THROTTLE CABLE STARTER ENDURO 2018 0/000.550.9100 (u. 1)</li> </ul>	

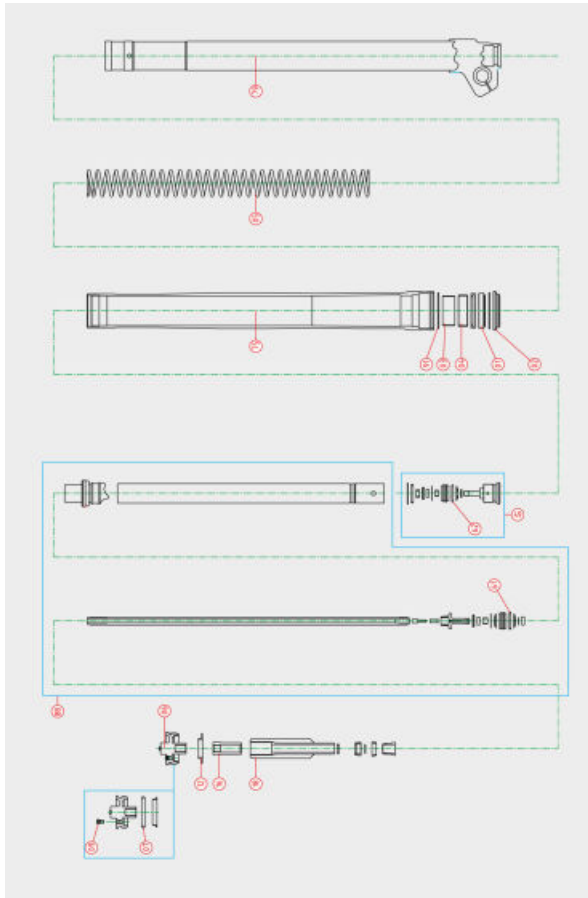
**FORK**



1	<ul style="list-style-type: none"> <li>● CJTO. SUSPENSION MR RANGER 0/K00.130.9102 (u. 1)</li> </ul>
2	<ul style="list-style-type: none"> <li>● SCREW SPECIAL 8X25 GEOMET 10.9 0/000.460.9137 (u. 4)</li> </ul>
3	<ul style="list-style-type: none"> <li>● CJTO. FORK PROTECTORS MR WHITE 0/000.220.9144 (u. 1)</li> </ul>
4	<ul style="list-style-type: none"> <li>● TORN. ESP. ROSCA PLASTICO Hex.6 C/Arandela 6x20 0/000.460.9178 (u. 2)</li> </ul>
5	<ul style="list-style-type: none"> <li>● SCREW ESP.6X8 DRACOMET 0/000.460.9162 (u. 6)</li> </ul>
6	<ul style="list-style-type: none"> <li>● STEERING SHAFT NUT 0/000.340.9102 (u. 1)</li> </ul>
7	<ul style="list-style-type: none"> <li>● ALLEN BOLT 7X30 DIN 912 ZINC 12.9 0/000.460.9151 (u. 10)</li> </ul>
8	<ul style="list-style-type: none"> <li>● TOP-BRIDGE SUSPENSION PAMPERA 0/000.660.9103 (u. 1)</li> </ul>
9	<ul style="list-style-type: none"> <li>● LOWER STEERING SHAFT NUT 0/000.340.9101 (u. 1)</li> </ul>
10	<ul style="list-style-type: none"> <li>● BEARING DUST COVER BLACK 0/000.200.9100 (u. 1)</li> </ul>
11	<ul style="list-style-type: none"> <li>● STEERING WASHER 0/000.440.9101 (u. 1)</li> </ul>
12	<ul style="list-style-type: none"> <li>● STEERING BEARING 30205A 0/000.960.9101 (u. 1)</li> </ul>
13	<ul style="list-style-type: none"> <li>● STEERING BEARING INF.320/28 0/000.960.9100 (u. 1)</li> </ul>
14	<ul style="list-style-type: none"> <li>● STEERING O-RING 50x5 0/000.490.9102 (u. 1)</li> </ul>

15	<ul style="list-style-type: none"> <li>● STEERING CAP D.28 0/000.200.9101 (u. 1)</li> </ul>	
16	<ul style="list-style-type: none"> <li>● LOWER-BRIDGE SUSPENSION PAMPERA 0/000.660.9101 (u. 1)</li> </ul>	
17	<ul style="list-style-type: none"> <li>● AXLE STEERING 0/000.190.9100 (u. 1)</li> </ul>	
18	<ul style="list-style-type: none"> <li>● SCREW SPECIAL 8X40 GEOMET 10.9 0/000.460.9140 (u. 4)</li> </ul>	
19	<ul style="list-style-type: none"> <li>● KIT PUENTES SUPERIRO MANILLAR NEGRO RANGER 0/K00.350.9103 (u. 1)</li> </ul>	
20	<ul style="list-style-type: none"> <li>● 10X45 SPEZIAL BOLT G5 12.9 0/000.460.9113 (u. 2)</li> </ul>	
22	<ul style="list-style-type: none"> <li>● SHOCK ABSORBER BOLT NUT 0/000.340.0182 (u. 2)</li> <li>● NUT AUTOB.M10 PASO 1.50 WASHER DIN 6926 ZINC 8 0/000.340.9124 (u. 2)</li> </ul>	<b>OBSOLETE</b>
23	<ul style="list-style-type: none"> <li>● STEERING SHAFT ENDURO 2018 BE15025CT-CLJ-1 (u. 1)</li> </ul>	
24	<ul style="list-style-type: none"> <li>● SET MULTIFUNCION "EVEREST" EC 2018 0/001.000.9100 (u. 1)</li> </ul>	
25	<ul style="list-style-type: none"> <li>● ARANDELA ALA ANCHA DIN 522 M4 INOX 0/000.440.0044 (u. 2)</li> <li>● ARANDELA SCHNORR M4 INOX 0/000.440.0043 (u. 2)</li> </ul>	
26	<ul style="list-style-type: none"> <li>● GROMMET 0/000.360.4002 (u. 2)</li> </ul>	
27	<ul style="list-style-type: none"> <li>● BRACKET MULTIFUNCION EC 2018 0/000.980.9108 (u. 1)</li> </ul>	
28	<ul style="list-style-type: none"> <li>● CASQUILLO MARCADOR MR 0/000.480.9130 (u. 2)</li> </ul>	
30	<ul style="list-style-type: none"> <li>● SCREW ESP.6x7 DRACOMET 0/000.460.9161 (u. 1)</li> </ul>	
32	<ul style="list-style-type: none"> <li>● TT MULTIFUNCTION HOSE 0/001.010.9100 (u. 1)</li> </ul>	
33	<ul style="list-style-type: none"> <li>● BLACK STICKER SUSPENSION KYB 200 x 87 mm 0/000.390.9149 (u. 1)</li> <li>● RED STICKER SUSPENSION KYB 200 x 87 mm 0/000.390.9142 (u. 1)</li> <li>● KIT ADHESIVE KAYABA ECRANGER BE95285GG-CTR-1 (u. 1)</li> </ul>	<b>OBSOLETE</b>
34	<ul style="list-style-type: none"> <li>● STICKER CATADRIOPTICO 0/000.630.9102 (u. 2)</li> </ul>	

**FORK PARTS**

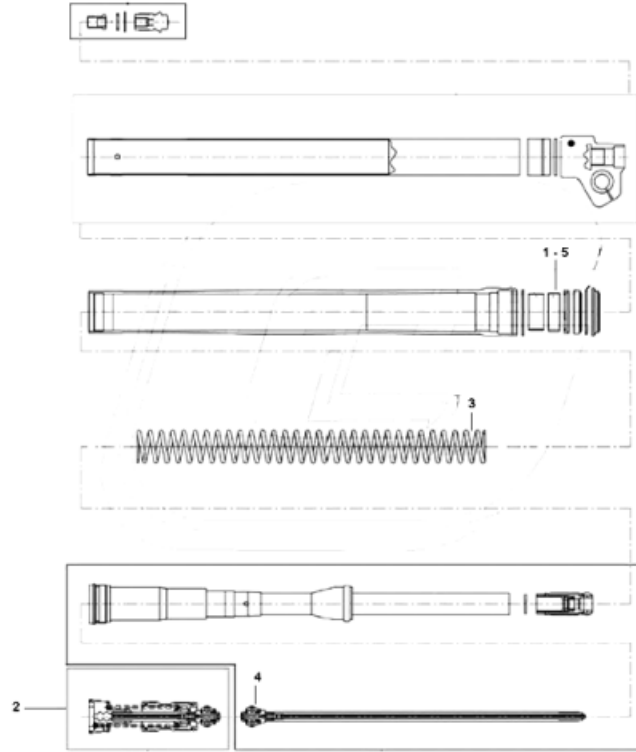


1	<ul style="list-style-type: none"> <li>CTO.RETENES SUSPENSION KAYABA ECRANGER BE20140CT-CTR-1 (u. 1)</li> </ul>
2	<ul style="list-style-type: none"> <li>CTO.GUARDAPOLVO SUSPENSION KAYABA ECRANGER BE20130CT-CTR-1 (u. 1)</li> </ul>
3	<ul style="list-style-type: none"> <li>GLACIER BOTELLA SUSPENSION KAYABA ECRANGER BE20150GG-CTR-1 (u. 1)</li> </ul>
4	<ul style="list-style-type: none"> <li>GLACIER BAR SUSPENSION KAYABA RANGER BE20151GG-CTR-1 (u. 1)</li> </ul>
5	<ul style="list-style-type: none"> <li>CTO.MUELLES SUSPENSION K-3.8N KAYABA ECRANGER BE20171CT-CTR-1 (u. 1)</li> </ul>
	<ul style="list-style-type: none"> <li>CTO.MUELLES SUSPENSION K-4.0N KAYABA ECRANGER BE20170CT-CTR-1 (u. 1)</li> </ul>
	<ul style="list-style-type: none"> <li>CTO.MUELLES SUSPENSION K-4.2N KAYABA ECRANGER BE20172CT-CTR-1 (u. 1)</li> </ul>
6	<ul style="list-style-type: none"> <li>CTO. TAPON COMPRESION ECRANGER BE20125GG-CTR-1 (u. 1)</li> </ul>
7	<ul style="list-style-type: none"> <li>TORICA TAPON COMPRESION ECRANGER BE20126GG-CTR-1 (u. 1)</li> </ul>
9	<ul style="list-style-type: none"> <li>TORNILLO TAPON REGULACION COMPRESION CON TORICA ECRANGER BE20175GG-CTR-1 (u. 1)</li> </ul>
12	<ul style="list-style-type: none"> <li>MUELLE TAPON COMPRESION ECRANGER BE20195GG-CTR-1 (u. 1)</li> </ul>
16	<ul style="list-style-type: none"> <li>TUERCA GUIA MUELLE ECRANGER BE20156GG-CTR-1 (u. 1)</li> </ul>
18	<ul style="list-style-type: none"> <li>GUIA MUELLE ECRANGER BE20155GG-CTR-1 (u. 1)</li> </ul>
49	<ul style="list-style-type: none"> <li>TAPON BASE COMPRESION ECRANGER BE20250GG-CTR-1 (u. 1)</li> </ul>

61	<ul style="list-style-type: none"><li>• SEEGER PISTON REBOTE ECRANGER BE20260GG-CTR-1 (u. 1)</li></ul>
62	<ul style="list-style-type: none"><li>• TORICA TAPON BASE COMPRESION ECRANGER BE20255GG-CTR-1 (u. 1)</li></ul>
75	<ul style="list-style-type: none"><li>• BOTELLA SUSPENSION KAYABA ECRANGER BE20100GG-CTR-1 (u. 1)</li></ul>
79	<ul style="list-style-type: none"><li>• CTO.BARRA SUSPENSION DERECHA KAYABA ECRANGER BE20110CT-CTR-1 (u. 1)</li></ul>
	<ul style="list-style-type: none"><li>• CTO.BARRA SUSPENSION IZQUIERDA KAYABA ECRANGER BE20115CT-CTR-1 (u. 1)</li></ul>
88	<ul style="list-style-type: none"><li>• BASTAGO COMPRESION ECRANGER BE20190GG-CTR-1 (u. 1)</li></ul>
91	<ul style="list-style-type: none"><li>• CIRCLIP SUSPENSION KAYABA ECRANGER BE20135GG-CTR-1 (u. 1)</li></ul>

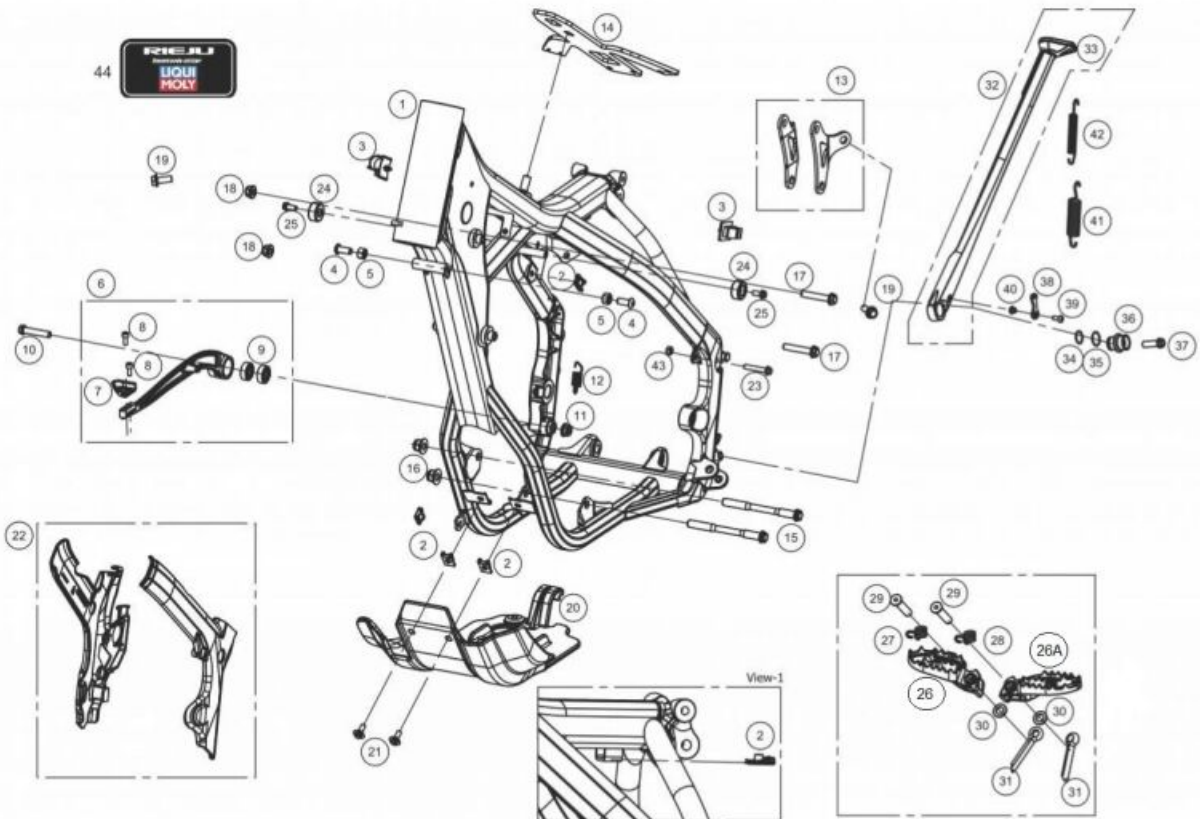


**KYB TOOLS**



- |   |   |
|---|---|
| 1 | <ul style="list-style-type: none"> <li>● TOOL SEAL SUSPENSION KAYABA ENDURO<br/>BE20225GG-CLJ-1 (u. 1)</li> </ul>                 |
| 2 | <ul style="list-style-type: none"> <li>● TOOL CAP SUSPENSION KAYABA ENDURO<br/>BE21105GG-CLJ-1 (u. 1)</li> </ul>                  |
| 3 | <ul style="list-style-type: none"> <li>● TOOL BRACKET PISTON AJUSTE SUSPENSION KAYABA ENDUR<br/>BE20230GG-CLJ-1 (u. 1)</li> </ul> |
| 4 | <ul style="list-style-type: none"> <li>● TOOL CAP CARTRIDGE SUSPENSION KAYABA ENDURO<br/>BE21106GG-CLJ-1 (u. 1)</li> </ul>        |
| 5 | <ul style="list-style-type: none"> <li>● TOOL INSERTADOR SEAL SUSPENSION KAYABA ENDURO<br/>BE20235GG-CLJ-1 (u. 1)</li> </ul>      |

## FRAME

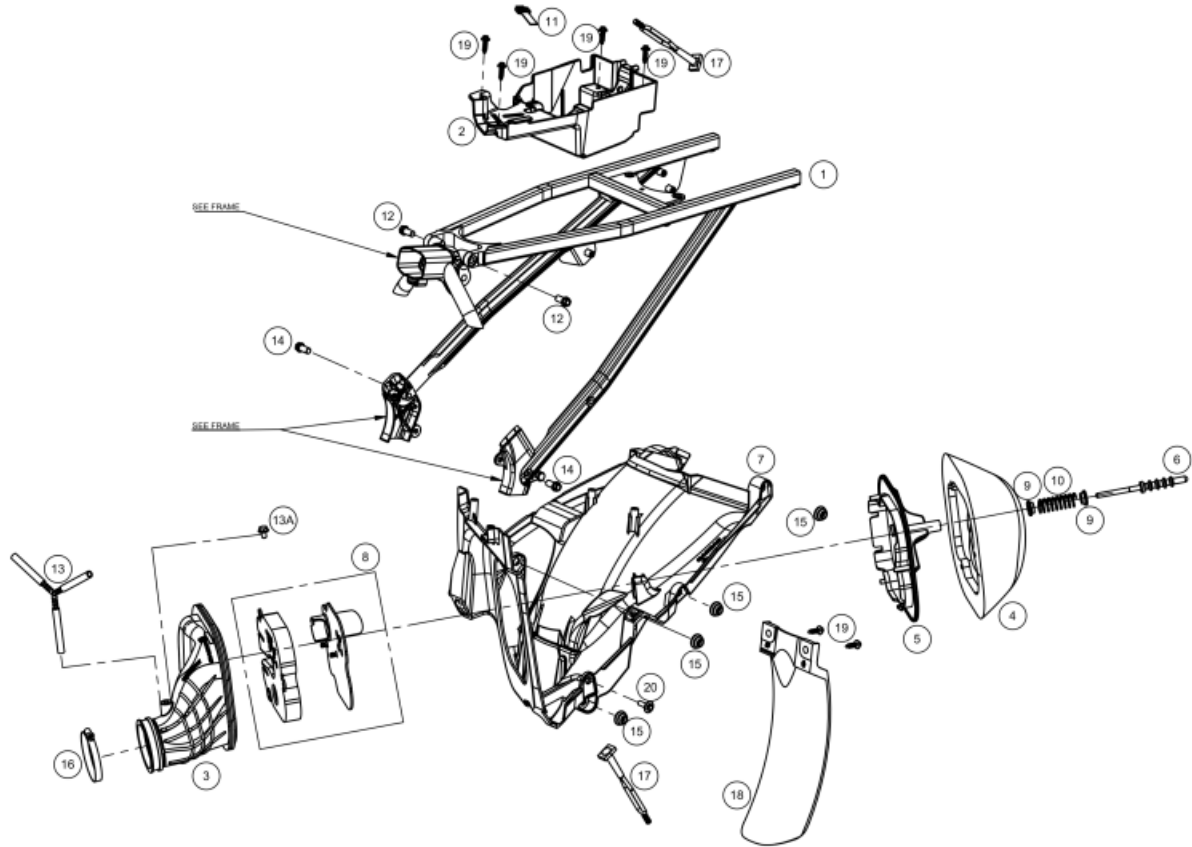


- |    |  |
|----|--|
| 1  | <ul style="list-style-type: none"> <li>FRAME EC 250 300 2T 2018 BLACK</li> <li>0/000.010.9100 (u. 1)</li> </ul>                |
| 2  | <ul style="list-style-type: none"> <li>NUT 6MM</li> <li>0/000.340.9120 (u. 3)</li> </ul>                                       |
| 3  | <ul style="list-style-type: none"> <li>CLIP (1E3J) SUJ. INST. ENDURO 2018</li> <li>0/000.630.9100 (u. 2)</li> </ul>            |
| 4  | <ul style="list-style-type: none"> <li>ALLEN BOLT 8x25 ISO 7380-1 ZN 10.9</li> <li>0/000.460.9157 (u. 2)</li> </ul>            |
| 5  | <ul style="list-style-type: none"> <li>ZINC STEERING STOPNUT M8X13X8 ISO 4033 ZINC</li> <li>0/000.340.9109 (u. 2)</li> </ul>   |
| 6  | <ul style="list-style-type: none"> <li>KICK BRAKE ENDURO 2018</li> <li>0/000.730.9100 (u. 1)</li> </ul>                        |
| 7  | <ul style="list-style-type: none"> <li>PUNTERA KICK BRAKE</li> <li>BE130102510 (u. 1)</li> </ul>                               |
| 9  | <ul style="list-style-type: none"> <li>Bearing 628-2RS</li> <li>BE13025GG-CLJ-1 (u. 2)</li> </ul>                              |
| 10 | <ul style="list-style-type: none"> <li>TORNILLO DIN 912 Allen M8x45 Cal.8.8 Z/BLANCO</li> <li>0/000.460.0382 (u. 1)</li> </ul> |
| 11 | <ul style="list-style-type: none"> <li>M8 NUT</li> <li>0/000.340.0180 (u. 1)</li> </ul>  |
| 12 | <ul style="list-style-type: none"> <li>BRAKE PEDAL WIRE</li> <li>0/000.470.9100 (u. 1)</li> </ul>                              |
| 13 | <ul style="list-style-type: none"> <li>SET BRACE CYLINDER HEAD ENDURO 250 300 2018</li> <li>BE11100CT-CLJ-1 (u. 1)</li> </ul>  |
| 14 | <ul style="list-style-type: none"> <li>RUBBER PROT.TANK GASOL.ENDURO 2018</li> <li>0/000.220.9116 (u. 1)</li> </ul>            |
| 15 | <ul style="list-style-type: none"> <li>SCREW 10x113 GEOMET 10.9</li> <li>0/000.460.9132 (u. 2)</li> </ul>                      |

16	<ul style="list-style-type: none"> <li>NUT 10mm (1.25) ZINC 8 0/000.340.9123 (u. 2)</li> </ul>	
17	<ul style="list-style-type: none"> <li>SPECIAL SCREW 8x50 GEOMET 10.9 0/000.460.9141 (u. 1)</li> </ul>	
19	<ul style="list-style-type: none"> <li>TUERCA DIN 6927 M8 Cal.8 Z/BLANCO 0/000.340.0188 (u. 4)</li> </ul>	
	<ul style="list-style-type: none"> <li>REAR CHASSIS ATTACHMENT WASHER 0/000.440.0160 (u. 4)</li> </ul>	
19	<ul style="list-style-type: none"> <li>SREW SPECIAL 8x20 GEOMET 10.9 0/000.460.9136 (u. 4)</li> </ul>	
20	<ul style="list-style-type: none"> <li>KIT PROTECTOR CRANKCASE 0/R00.220.9100 (u. 1)</li> </ul>	
22	<ul style="list-style-type: none"> <li>KIT PROTECTORES LATERALES CHASIS MR NEGROS 0/K00.220.9103 (u. 1)</li> </ul>	
23	<ul style="list-style-type: none"> <li>SPECIAL BOLT 6X35 DIN 6921 GEOMET 0/000.460.9124 (u. 1)</li> </ul>	
24	<ul style="list-style-type: none"> <li>SILENTBLOCK+WASHER TANK GASOL. 0/000.360.9106 (u. 2)</li> </ul>	
25	<ul style="list-style-type: none"> <li>HEX BOLT WASHER 6x14 (Fork Brace) DIN 6921 0/000.460.9118 (u. 2)</li> </ul>	
26	<ul style="list-style-type: none"> <li>KIT ESTRIBERAS MR RACING / MR RANGER 0/K00.740.9101 (u. 1)</li> </ul>	
27	<ul style="list-style-type: none"> <li>SPRING FOOTREST RIGHT. 0/000.470.9101 (u. 1)</li> </ul>	<b>OBSOLETE</b>
28	<ul style="list-style-type: none"> <li>MUELLE ESTRIBERA PILOTO RH&amp;LH 0/000.470.9113 (u. 1)</li> </ul>	
	<ul style="list-style-type: none"> <li>SPRING FOOTREST LEFT. 0/000.470.9102 (u. 1)</li> </ul>	
29	<ul style="list-style-type: none"> <li>BUSH PIN FOOTREST 0/000.480.9101 (u. 2)</li> </ul>	
30	<ul style="list-style-type: none"> <li>WASHER 10x20x2 DIN 125A ZINC 0/000.440.9115 (u. 2)</li> </ul>	<b>OBSOLETE</b>
31	<ul style="list-style-type: none"> <li>PIN DIN 94 ISO 1234 0/000.840.9100 (u. 2)</li> </ul>	
32	<ul style="list-style-type: none"> <li>CJTO. STAND MR RANGER COMPLETE 0/K00.210.9101 (u. 1)</li> </ul>	
33	<ul style="list-style-type: none"> <li>BASEL STAND ENDURO 2018 0/000.570.9100 (u. 1)</li> </ul>	
34	<ul style="list-style-type: none"> <li>O-RING BUSH STAND 15x1,5 0/000.490.9100 (u. 1)</li> </ul>	
35	<ul style="list-style-type: none"> <li>O-RING BUSH STAND 17x1,5 0/000.490.9101 (u. 1)</li> </ul>	
36	<ul style="list-style-type: none"> <li>CASQUILLO CABALLETE COMPETICIÓN 0/000.480.9129 (u. 1) - <i>NO HOMOLOG.</i></li> </ul>	
	<ul style="list-style-type: none"> <li>BUSH FIX .STAND ENDURO 2018 0/000.480.9102 (u. 1)</li> </ul>	
37	<ul style="list-style-type: none"> <li>SCREW SPECIAL 8X25 GEOMET 10.9 0/000.460.9137 (u. 1)</li> </ul>	
	<ul style="list-style-type: none"> <li>SCREW ISO 7380 Torx T-40 M8x25 INOX 0/000.460.0081 (u. 1) - <i>NO HOMOLOG.</i></li> </ul>	
38	<ul style="list-style-type: none"> <li>LCAM STAND ENDURO 2018 0/000.830.9100 (u. 1)</li> </ul>	

	<ul style="list-style-type: none"><li>● ALLEN BOLT ULS 5x16 ISO 7380-1 ZINC 12.9 0/000.460.9155 (u. 1)</li></ul>	<b>OBSOLETE</b>
<b>39</b>	<ul style="list-style-type: none"><li>● TORNILLO ISO 7380 Torx T-25 con arandela M5x16 INOX 0/000.460.0083 (u. 1)</li><li>● TORNILLO ISO 7380 Torx T-25 con arandela M5x16 INOX 0/000.460.0083 (u. 1)</li></ul>	
<b>40</b>	<ul style="list-style-type: none"><li>● BUSH LCAM STAND ENDURO 0/000.480.9103 (u. 1)</li></ul>	
<b>41</b>	<ul style="list-style-type: none"><li>● SPRING EXTERIOR STAND ENDURO 2018 0/000.470.9103 (u. 1)</li></ul>	
<b>42</b>	<ul style="list-style-type: none"><li>● SPRING INTERIOR STAND ENDURO 2018 0/000.470.9104 (u. 1)</li></ul>	
<b>43</b>	<ul style="list-style-type: none"><li>● NYLOCK NUT 6mm DIN 985 ZN CR3 6 0/000.340.9113 (u. 1)</li></ul>	

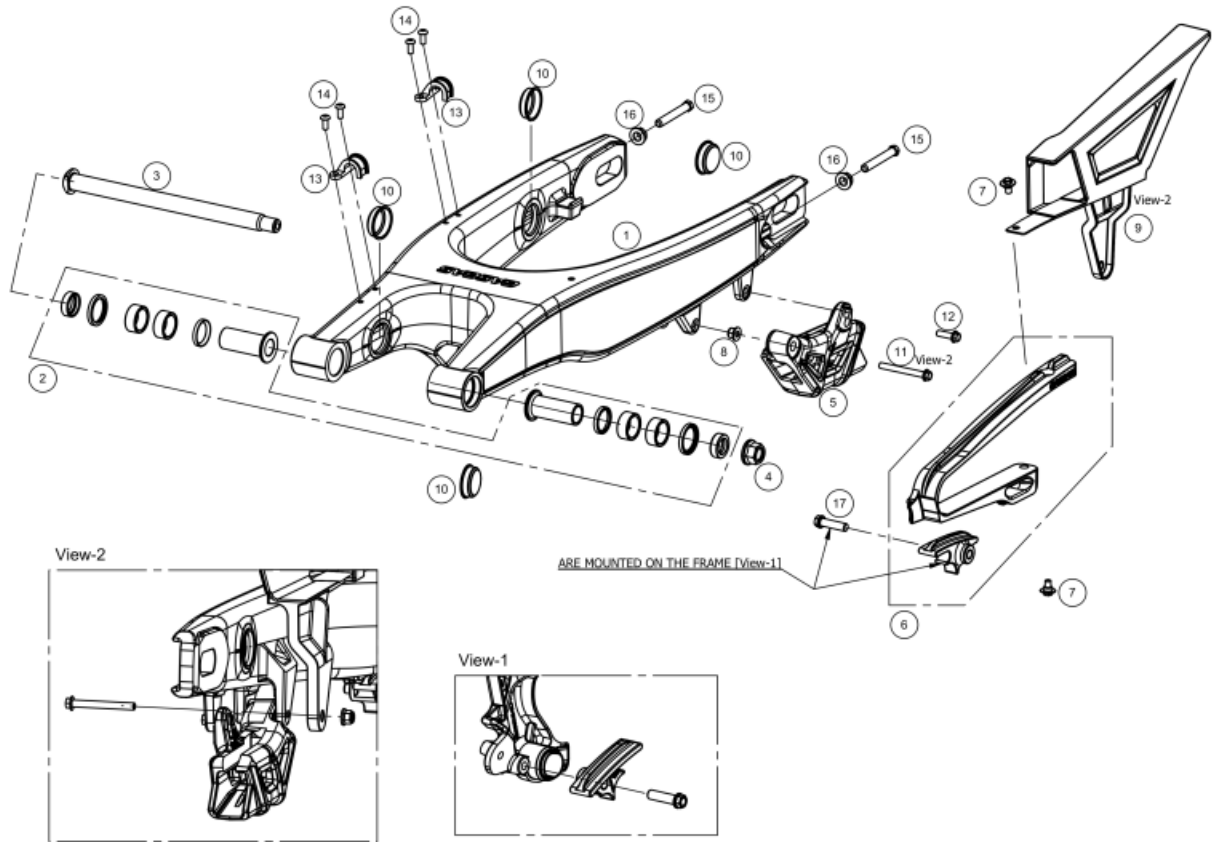
## REAR FRAME



1	<ul style="list-style-type: none"> <li>EC 2018 SUBCHASSIS KIT WITH RIVETS 0/K00.010.9102 (u. 1)</li> </ul>
2	<ul style="list-style-type: none"> <li>BRACKET BATTERY -CDI-RELE STARTER EC 2018 0/000.570.9101 (u. 1)</li> </ul>
3	<ul style="list-style-type: none"> <li>MANIFOLD C.FILTER.EC 2018 0/000.360.9113 (u. 1)</li> </ul>
4	<ul style="list-style-type: none"> <li>FILTER AIR EC 2018 (OEM158084X) 0/001.070.9100 (u. 1)</li> </ul>
5	<ul style="list-style-type: none"> <li>HOLDER FILTER EC 2018 0/000.570.9104 (u. 1)</li> </ul>
6	<ul style="list-style-type: none"> <li>FILTER SUPPORT ROD 0/000.980.9117 (u. 1)</li> </ul>
7	<ul style="list-style-type: none"> <li>C.FILTER.ENDURO 2018 0/000.570.9103 (u. 1)</li> </ul>
8	<ul style="list-style-type: none"> <li>KIT RESTRICTOR FILTRO DE AIRE BE79800CT-CLJ-1 (u. 1)</li> </ul>
9	<ul style="list-style-type: none"> <li>AIR FILTER NYLON WASHER 0/000.440.9100 (u. 2)</li> </ul>
10	<ul style="list-style-type: none"> <li>FILTER BOX SPRING 0/000.470.9105 (u. 1)</li> </ul>
11	<ul style="list-style-type: none"> <li>CDI hold-down band 0/000.360.9101 (u. 1)</li> </ul>
12	<ul style="list-style-type: none"> <li>SCREW SPECIAL 8X25 GEOMET 10.9 0/000.460.9137 (u. 2)</li> </ul>
13A	<ul style="list-style-type: none"> <li>M6X12 BLACK ESPECIAL PLASTIC SCREW 0/000.460.9109 (u. 1)</li> </ul>
13	<ul style="list-style-type: none"> <li>SET TUBE SVAPORIZADOR BLOW BY ENDURO 2018 0/000.290.9106 (u. 1)</li> </ul>

14	<ul style="list-style-type: none"><li>• SCREW SPECIAL 8X16 GEOMET 10.9 0/000.460.9135 (u. 2)</li></ul>
15	<ul style="list-style-type: none"><li>• SILENTBLOCK NUMBER-PLATE LEFT.ENDURO 2018 0/000.360.9109 (u. 4)</li></ul>
16	<ul style="list-style-type: none"><li>• CLAMP 50-70/9 INOX FE 0/000.680.9101 (u. 1)</li></ul>
17	<ul style="list-style-type: none"><li>• RUBBER STAND EC 2015 0/000.360.9100 (u. 2)</li></ul>
18	<ul style="list-style-type: none"><li>• PROT.SHOCK EC 2018 0/000.220.9117 (u. 1)</li></ul>
19	<ul style="list-style-type: none"><li>• TORN. ESP. ROSCA PLASTICO Hex.6 C/Arandela 6x20 0/000.460.9178 (u. 6)</li></ul>
20	<ul style="list-style-type: none"><li>• BOLT ESP. 6X16 DRACOMET 0/000.460.9100 (u. 1)</li></ul>
21	<ul style="list-style-type: none"><li>• CRANKCASE VENT NIPPLE D.3 0/000.630.9105 (u. 1)</li></ul>

**SWINGARM**



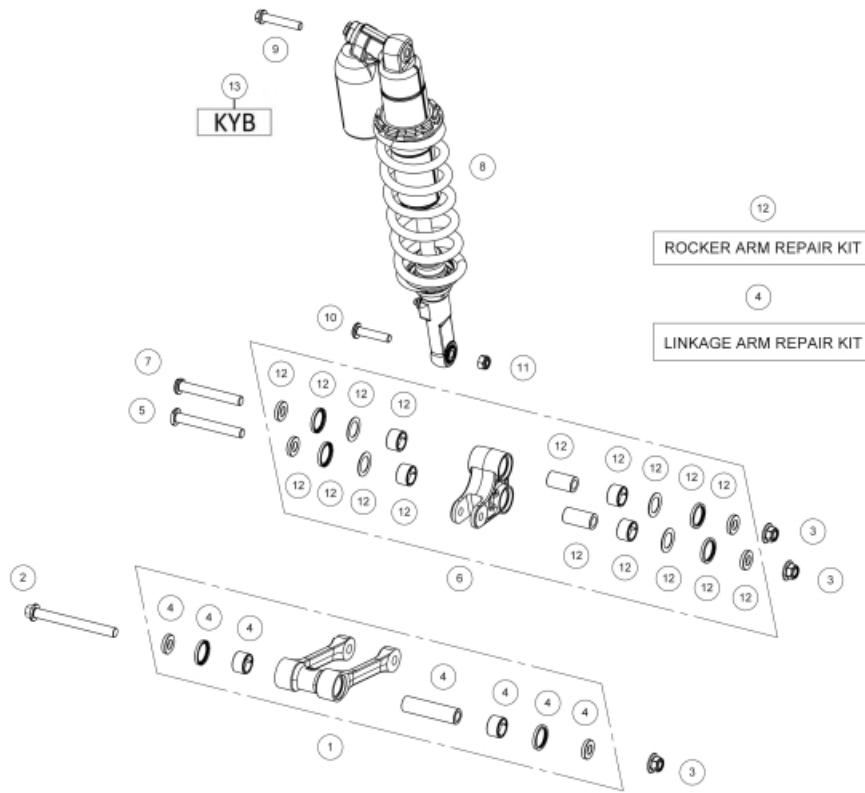
1	<ul style="list-style-type: none"> <li>● SWINGARM ENDURO 2018 0/000.020.9100 (u. 1)</li> </ul>
2	<ul style="list-style-type: none"> <li>● SWINGARM SET REPARATION BE41000CT-CLJ-1 (u. 1)</li> </ul>
3	<ul style="list-style-type: none"> <li>● AXLE SWINGARM ENDURO 2018 0/000.190.9101 (u. 1)</li> </ul>
4	<ul style="list-style-type: none"> <li>● SWINGARM NUT 0/000.340.9103 (u. 1)</li> </ul>
5	<ul style="list-style-type: none"> <li>● GUIDE CHAIN 0/000.710.9100 (u. 1)</li> </ul>
6	<ul style="list-style-type: none"> <li>● CHAIN SLIDER KIT 3 COMP. BE43015CT-CLJ-1 (u. 1)</li> </ul>
7	<ul style="list-style-type: none"> <li>● SCREW ESP.6x7 DRACOMET 0/000.460.9161 (u. 2)</li> </ul>
8	<ul style="list-style-type: none"> <li>● PASSENGER FOOTREST NUT 0/000.340.0170 (u. 1)</li> </ul>
	<ul style="list-style-type: none"> <li>● PASSENGER FOOTREST NUT 0/000.340.0170 (u. 1)</li> </ul>
9	<ul style="list-style-type: none"> <li>● PROT.CHAIN HOMOL.EC 2018 0/000.220.9107 (u. 1)</li> </ul>
10	<ul style="list-style-type: none"> <li>● CAP SWINGARM EC 2018 (465658) 0/000.410.9100 (u. 4)</li> </ul>
11	<ul style="list-style-type: none"> <li>● SPECIAL SCREW 6X55 DIN 6921 DRACOMET 8.8 0/000.460.9127 (u. 1)</li> </ul>
12	<ul style="list-style-type: none"> <li>● TORN.ESP. DIN 6921 Hex.8 TX30 M6x20 Cal.10.9 GEOMET 0/000.460.9181 (u. 1)</li> </ul>
	<ul style="list-style-type: none"> <li>● TORN.ESP. DIN 6921 Hex.8 TX30 M6x20 Cal.10.9 GEOMET 0/000.460.9181 (u. 1)</li> </ul>
	<ul style="list-style-type: none"> <li>● BOLT 6x20 DIN 6921 GEOMET 10.9 0/000.460.9120 (u. 1)</li> </ul>

**OBSELETE**

13	● SWINGARM HOSE HOLDER 0/000.630.9101 (u. 2)
14	● HEAD SCREW 5x15 DIN 6921 GEOMET 10.9 0/000.460.9115 (u. 4)
15	● WHEEL TENSOR SCREW 0/000.460.9105 (u. 2)
16	● M8 FLANGE NUT DIN 6927 ACERO 8 0/000.340.9118 (u. 2)
17	● SPECIAL SCREW 8x35 GEOMET 10.9 0/000.460.9139 (u. 1)

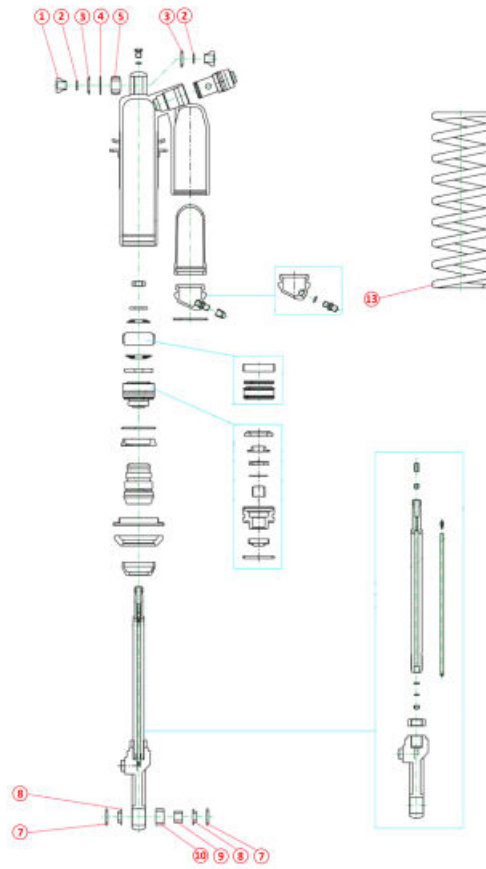


**SHOCK ABSORBER**



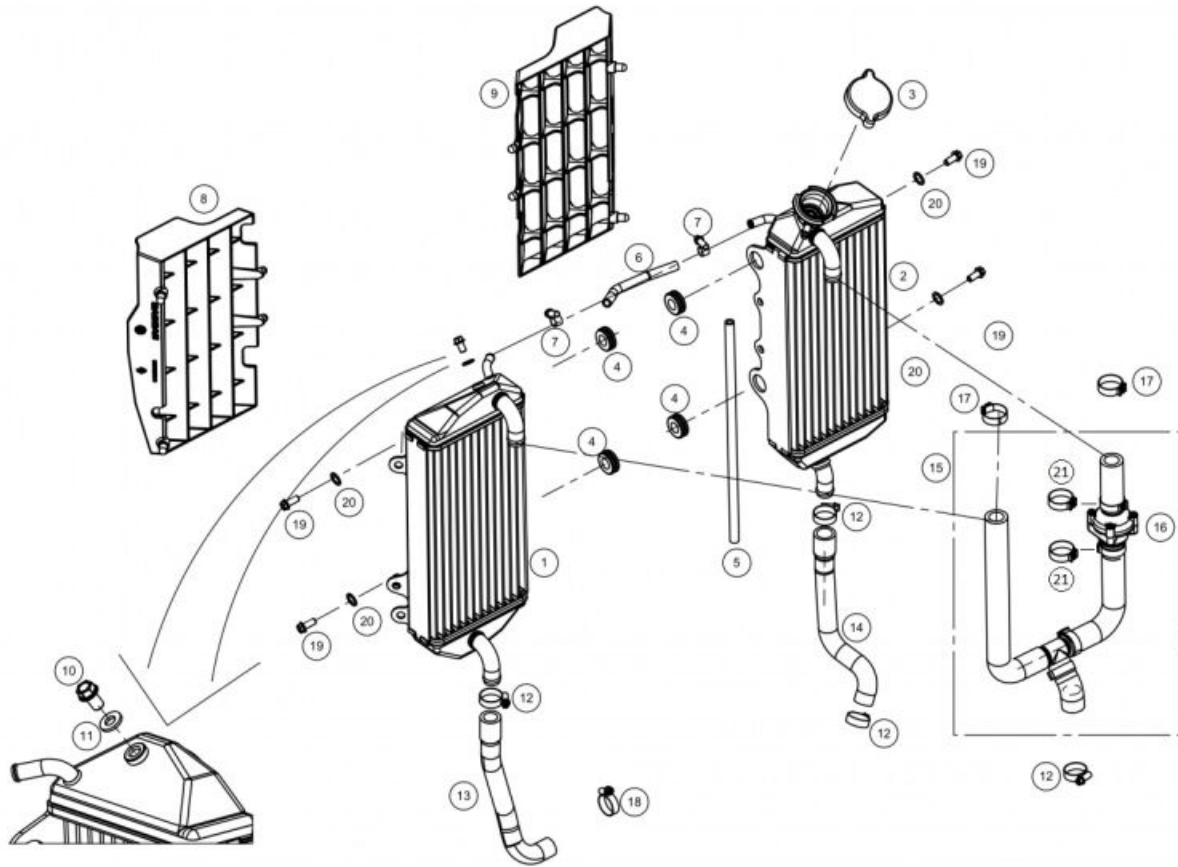
1	<ul style="list-style-type: none"> <li>HEIGHT ADJUSTABLE RANGER COMPLETE CRANKCASE ASSEMBLY 0/K00.770.9101 (u. 1)</li> </ul>
2	<ul style="list-style-type: none"> <li>SCREW AXLE LINK FRAME 22X128 0/000.460.9102 (u. 1)</li> </ul>
3	<ul style="list-style-type: none"> <li>NUT M12x1.25 .ZINC DIN 6923 ZINC 0/000.340.9115 (u. 3)</li> </ul>
5	<ul style="list-style-type: none"> <li>SCREW AXLE LINK BALANCIN 22X99.5 0/000.460.9103 (u. 1)</li> </ul>
6	<ul style="list-style-type: none"> <li>SET BALANCIN ENDURO 2018 BE32000CT-CLJ-1 (u. 1)</li> </ul>
7	<ul style="list-style-type: none"> <li>SCREW AXLE BALANCIN SWINGARM 22X92.5 0/000.460.9104 (u. 1)</li> </ul>
8	<ul style="list-style-type: none"> <li>SHOCK ABSORBER KYB ECRANGER 0/000.180.9101 (u. 1)</li> </ul>
9	<ul style="list-style-type: none"> <li>SCREW 10x60 ISO 898-1 GEOMET 10.9 0/000.460.9131 (u. 1)</li> </ul>
10	<ul style="list-style-type: none"> <li>SCREW AXLE INF.SHOCK 20X48.5 0/000.460.9107 (u. 1)</li> </ul>
11	<ul style="list-style-type: none"> <li>NUT AUTOBLOC.M10X125 DIN 985 ZINC 8 0/000.340.9110 (u. 1)</li> </ul>
12	<ul style="list-style-type: none"> <li>ROCKER ARM REPAIR KIT EC 2018 BE34035CT-CLJ-1 (u. 1)</li> </ul>
13	<ul style="list-style-type: none"> <li>BLACK STICKER SHOCKABSORBER KYB 0/000.390.9159 (u. 1)</li> </ul>
	<ul style="list-style-type: none"> <li>RED STICKER SHOCKABSORBER KYB 0/000.390.9158 (u. 1)</li> </ul>

**SHOCK ABSORBER**



1	<ul style="list-style-type: none"> <li>BUSH ROTULA SUP. SUSPENSION KAYABA ENDURO BE20210GG-CLJ-1 (u. 1)</li> </ul>
2	<ul style="list-style-type: none"> <li>O-RING BALL-JOINT SUSPENSION KAYABA ENDURO BE30025GG-CLJ-1 (u. 3)</li> </ul>
3	<ul style="list-style-type: none"> <li>SEAL BALL-JOINT SUPERIOR SUSPENSION KAYABA ENDURO BE23295GG-CLJ-1 (u. 3)</li> </ul>
4	<ul style="list-style-type: none"> <li>WASHER BALL-JOINT SUPERIOR SUSPENSION KAYABA ENDUR BE232990GG-CLJ-1 (u. 1)</li> </ul>
5	<ul style="list-style-type: none"> <li>BALL-JOINT SUPERIOR SUSPENSIONRECHA KAYABA ENDURO BE23250GG-CLJ-1 (u. 1)</li> </ul>
7	<ul style="list-style-type: none"> <li>DUST KEEPER SEAL BALL-JOINT LOWER KAYABA ENDURO BE23280GG-CLJ-1 (u. 2)</li> </ul>
8	<ul style="list-style-type: none"> <li>BUSH BALL-JOINT LOWER SUSPENSION KAYABA ENDURO BE23285GG-CLJ-1 (u. 2)</li> </ul>
9	<ul style="list-style-type: none"> <li>BRG. NOZZLE LOWER SUSPENSION KAYABA ENDURO BE36060GG-CLJ-1 (u. 1)</li> </ul>
10	<ul style="list-style-type: none"> <li>BUSHER LOWER SUSP. KAYABA ENDURO BE23300GG-CLJ-1 (u. 1)</li> </ul>
13	<ul style="list-style-type: none"> <li>SPRING SHOCK ABSORBER 46 mm 50n SUSPENSION KAYABA BE30010GG-CLJ-1 (u. 1)</li> </ul>
	<ul style="list-style-type: none"> <li>SPRING SHOCK ABSORBER 46 mm 54n SUSPENSION KAYABA BE30012GG-CLJ-1 (u. 1)</li> </ul>
	<ul style="list-style-type: none"> <li>SPRING SHOCK ABSORBER 46 mm 52n SUSPENSION KAYABA BE30011GG-CLJ-1 (u. 1)</li> </ul>

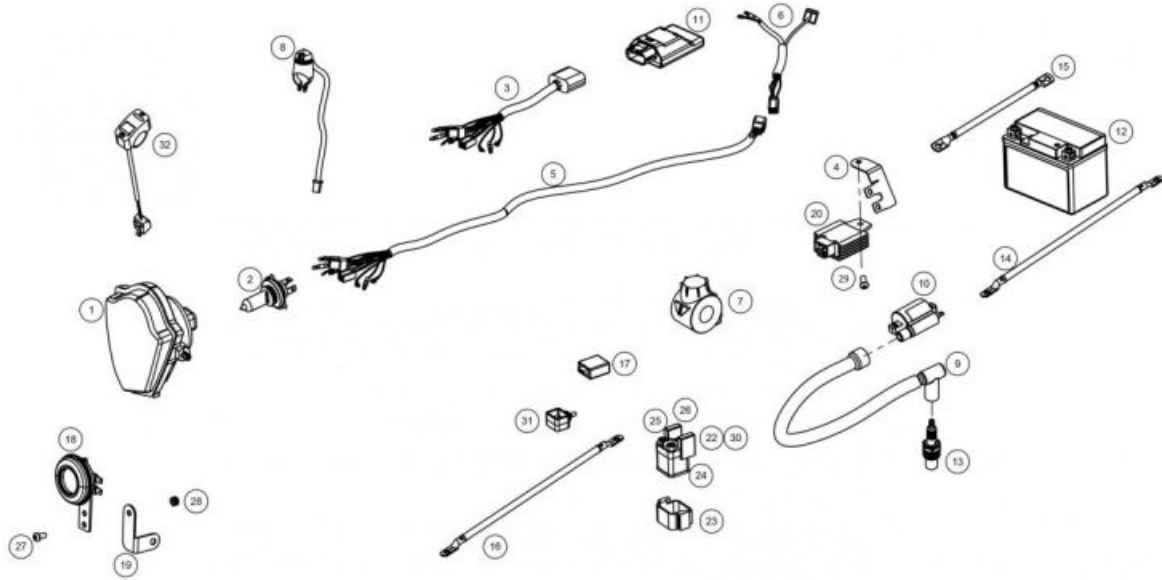
**RADIATOR**



1	<ul style="list-style-type: none"> <li>LEFT RADIATOR ENDURO 2018</li> <li>0/000.580.9103 (u. 1)</li> </ul>
2	<ul style="list-style-type: none"> <li>RIGHT RADIATOR WITH 2 SILENBLOCK 2019</li> <li>0/000.580.9102 (u. 1)</li> </ul>
3	<ul style="list-style-type: none"> <li>TAPON RADIADOR MR FLOREADO 1.8 REBAJADO</li> <li>0/000.410.9112 (u. 1)</li> </ul>
4	<ul style="list-style-type: none"> <li>SILENBLOCK RADIATOR EC</li> <li>BIE500132031 (u. 4)</li> </ul>
5	<ul style="list-style-type: none"> <li>RADIATOR BREATHE HOSE 5X8 ù 39CM</li> <li>0/000.290.9117 (u. 1)</li> </ul>
6	<ul style="list-style-type: none"> <li>TUBE UNION RADIADORES ENDURO 2018</li> <li>0/000.290.9103 (u. 1)</li> </ul>
7	<ul style="list-style-type: none"> <li>COLLARTORRO SIN FIN 10-16 (10107270010) INOX FE</li> <li>0/000.680.9108 (u. 2)</li> </ul>
8	<ul style="list-style-type: none"> <li>GRID RADIATOR IZQUIERDA ENDURO 2018</li> <li>0/000.220.9113 (u. 1)</li> </ul>
9	<ul style="list-style-type: none"> <li>GRID RAD. RIGHT ENDURO 2018</li> <li>0/000.220.9112 (u. 1)</li> </ul>
10	<ul style="list-style-type: none"> <li>SCREW SPECIAL 6X10+WASHER GEOMET 10.9</li> <li>0/000.460.9133 (u. 1)</li> </ul>
11	<ul style="list-style-type: none"> <li>HEAD BOLT WASHE 6x10x1.5</li> <li>0/000.440.9122 (u. 1)</li> </ul>
12	<ul style="list-style-type: none"> <li>COLLARTORRO WITHOUT FIN 16-27 (10107270027) INOX F</li> <li>0/000.680.9107 (u. 4)</li> </ul>
13	<ul style="list-style-type: none"> <li>TUBE RADIATOR LEFT A CÁRTER LEFT EC 2018</li> <li>0/000.290.9105 (u. 1)</li> </ul>
14	<ul style="list-style-type: none"> <li>RIGHT RADIATOR LOWER HOSE</li> <li>0/000.290.9104 (u. 1)</li> </ul>

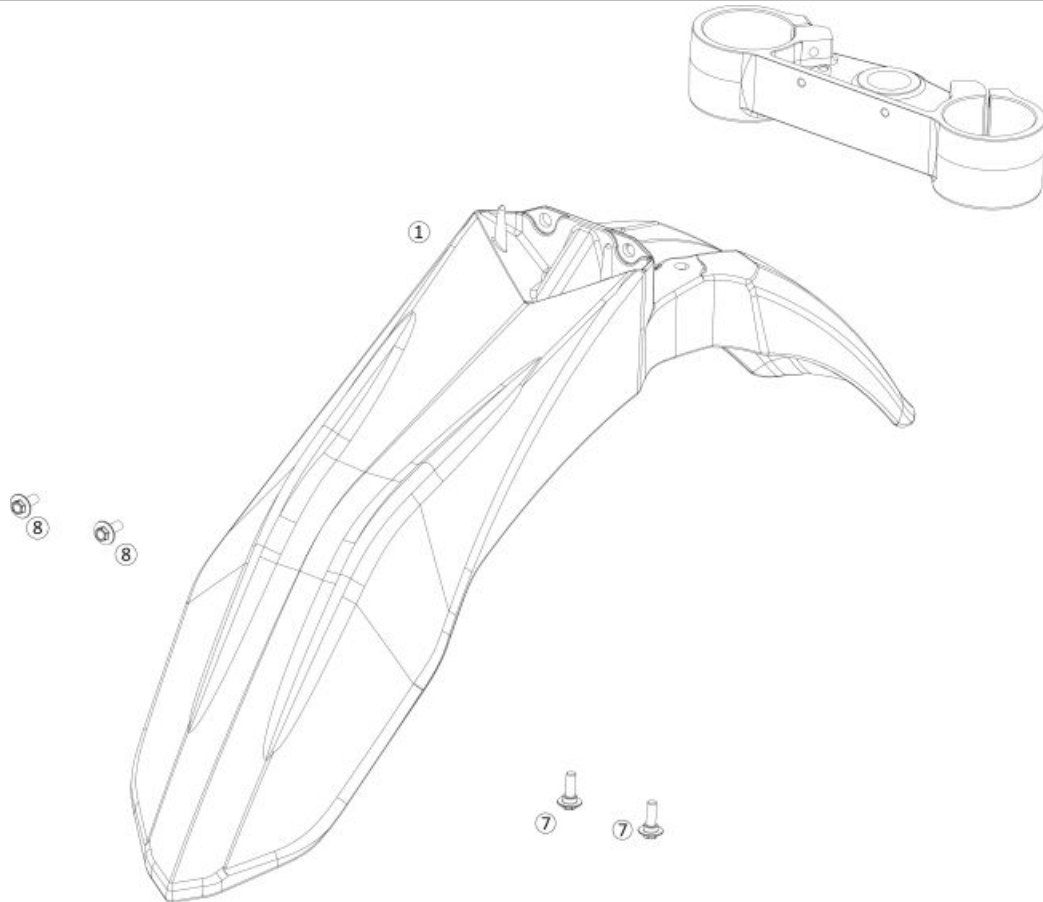
15	<ul style="list-style-type: none"> <li>● SET TUBE S RADIADORES-TERMOSTATO EC 2018 0/000.290.9118 (u. 1)</li> </ul>	
16	<ul style="list-style-type: none"> <li>● THERMOSTAT 250 SM BE250432070 (u. 1)</li> </ul>	<b>OBSOLETE</b>
	<ul style="list-style-type: none"> <li>● TERMOSTATO RADIADOR 0/001.010.9103 (u. 1)</li> </ul>	
17	<ul style="list-style-type: none"> <li>● 21mm HOSE CLAMP INOX A2 0/000.680.9105 (u. 2)</li> </ul>	<b>OBSOLETE</b>
	<ul style="list-style-type: none"> <li>● CLAMP 21 0/000.680.3009 (u. 2)</li> </ul>	
18	<ul style="list-style-type: none"> <li>● HOSE CLAMP 19mm INOX A2 0/000.680.9104 (u. 1)</li> </ul>	
19	<ul style="list-style-type: none"> <li>● HEX BOLT WASHER 6x14 (Fork Brace) DIN 6921 0/000.460.9118 (u. 4)</li> </ul>	
20	<ul style="list-style-type: none"> <li>● WASHER 6X20X2 0/000.440.9112 (u. 4)</li> </ul>	
21	<ul style="list-style-type: none"> <li>● ABRAZARERA COBRA Ø26/8 W4 0/000.680.0567 (u. 2)</li> </ul>	

**ELECTRICAL PARTS**



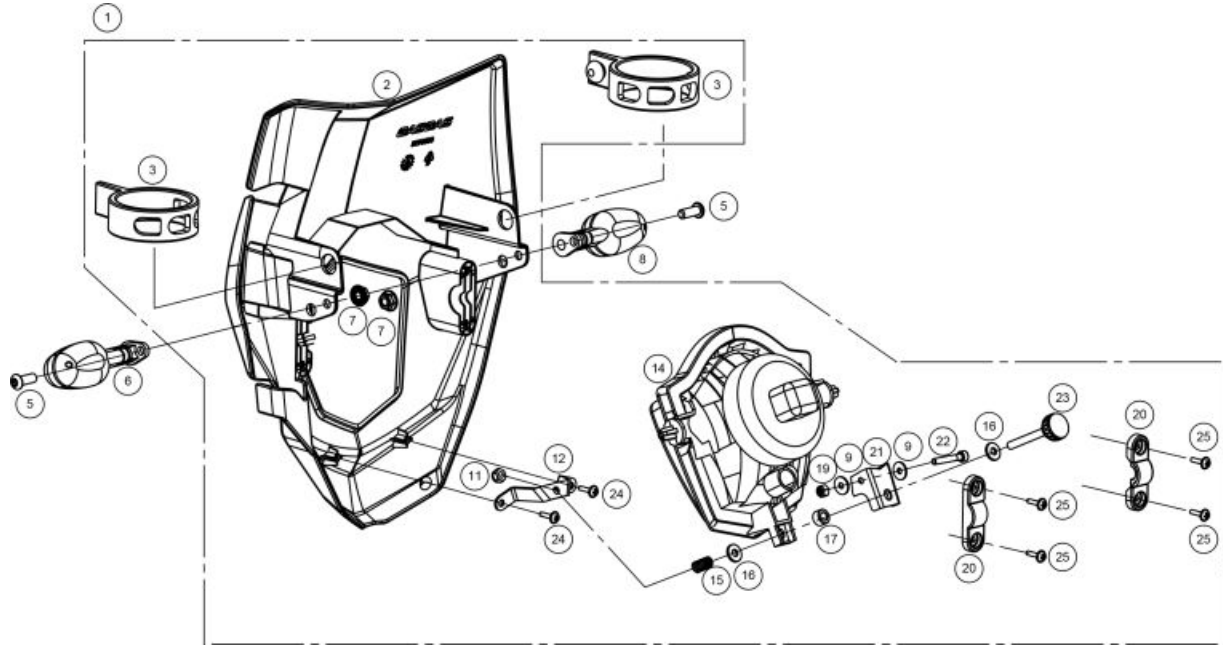
1	<ul style="list-style-type: none"> <li>● HEADLIGHT WITH BULB COMPLETE PT-107 0/000.600.0270 (u. 1)</li> </ul>
2	<ul style="list-style-type: none"> <li>● HS1 12V3535W HALOGEN BULB L300125 (u. 1)</li> </ul>
3	<ul style="list-style-type: none"> <li>● CENTRAL SYSTEM ENDURO 2018 0/000.160.9100 (u. 1)</li> </ul>
4	<ul style="list-style-type: none"> <li>● BRACKET FIX .CONECTORES IGNITION ENDURO 2018 0/000.980.9110 (u. 1)</li> </ul>
5	<ul style="list-style-type: none"> <li>● MAIN ELECTRICAL INSTALLATION MR 0/000.160.9112 (u. 1)</li> </ul>
6	<ul style="list-style-type: none"> <li>● INST.LIGHT NUM-PLATE ENDURO 2018 0/000.160.9103 (u. 1)</li> </ul>
7	<ul style="list-style-type: none"> <li>● STARTER SWITCH ENDURO 2018 0/000.720.9101 (u. 1)</li> </ul>
8	<ul style="list-style-type: none"> <li>● PULSER PRING TRIAL 2015 0/000.720.9102 (u. 1)</li> </ul>
9	<ul style="list-style-type: none"> <li>● SPARK PLUG CAP NGK 0/005.110.9100 (u. 1)</li> </ul>
10	<ul style="list-style-type: none"> <li>● IGNITION COIL 0/005.070.9100 (u. 1)</li> </ul>
11	<ul style="list-style-type: none"> <li>● ECRANGER 30 PROGRAMMED CDI ASSEMBLY EE51100CT-CTR-1 (u. 1)</li> </ul>
12	<ul style="list-style-type: none"> <li>● BATERIA BS LITHIUM - BSLI-02 0/000.900.9103 (u. 1)</li> </ul>
	<ul style="list-style-type: none"> <li>● BATERIA BS LITHIUM - BSLI-02 0/000.900.9103 (u. 1)</li> </ul>
13	<ul style="list-style-type: none"> <li>● SPARK PLUG DENSO W24ESRU 0/005.110.9101 (u. 1)</li> </ul>
14	<ul style="list-style-type: none"> <li>● CABLE POSITIVE BATTERY EC 2019 0/000.160.9105 (u. 1)</li> </ul>
15	<ul style="list-style-type: none"> <li>● CAB. NEGATIVE BATTERY 0/000.160.9104 (u. 1)</li> </ul>
16	<ul style="list-style-type: none"> <li>● CABLE RELE A MOTOR ARRANQUE 2019 0/000.160.9107 (u. 1)</li> </ul>
17	<ul style="list-style-type: none"> <li>● MODUL DIODES SHOTKY 0/001.200.9100 (u. 1)</li> </ul>

18	<ul style="list-style-type: none"> <li>● HORN CLASS II TYPE DL128J - 12V 0/000.420.5011 (u. 1)</li> </ul>	
19	<ul style="list-style-type: none"> <li>● BRACKET HORN ENDURO 2018 0/000.980.9107 (u. 1)</li> </ul>	
20	<ul style="list-style-type: none"> <li>● REGULATOR 0/005.070.9101 (u. 1)</li> </ul>	
22	<ul style="list-style-type: none"> <li>● STARTING RELAY 0/001.200.9101 (u. 1)</li> </ul>	<b>OBSOLETE</b>
	<ul style="list-style-type: none"> <li>● RELE ARRANQUE (RC19-005<sup>a</sup>)STARTER RELA 00020 A7343-888-00-000 0/001.200.9103 (u. 1)</li> </ul>	
	<ul style="list-style-type: none"> <li>● STARTING RELAY 0/001.200.9101 (u. 1)</li> </ul>	<b>OBSOLETE</b>
23	<ul style="list-style-type: none"> <li>● RUBBER BRACKET RELE STARTER FIJ.VERTICAL EE85205GG-CAK-1 (u. 1)</li> </ul>	
24	<ul style="list-style-type: none"> <li>● FUSE PROTECTION CAP (B4694-730-00-001) EE851052511 (u. 2)</li> </ul>	
25	<ul style="list-style-type: none"> <li>● WASHER Ø6 0/000.440.0240 (u. 2)</li> </ul>	
26	<ul style="list-style-type: none"> <li>● SCREW SPECIAL 6X10+WASHER GEOMET 10.9 0/000.460.9133 (u. 2)</li> </ul>	
27	<ul style="list-style-type: none"> <li>● BOLT WITH WASHER AND FIXING ESP 6X12 ISO 7380-2 IN 0/000.460.9108 (u. 1)</li> </ul>	
28	<ul style="list-style-type: none"> <li>● NUT 6MM 0/000.340.9120 (u. 1)</li> </ul>	
29	<ul style="list-style-type: none"> <li>● HEX BOLT WASHER 6x14 (Fork Brace) DIN 6921 0/000.460.9118 (u. 1)</li> </ul>	
30	<ul style="list-style-type: none"> <li>● FUS. UNI. 20A 0/000.910.9100 (u. 2)</li> </ul>	
31	<ul style="list-style-type: none"> <li>● DIODES MODULE RUBBER SUPPORT 0/000.360.9111 (u. 1)</li> </ul>	

**FRONT FENDER**

- |   |   |
|---|---|
| 1 | ● FRONT FENDER EC 2018 NO STIKER<br>0/000.050.9101 (u. 1) |
| 7 | ● BOLT ESP. 6X16 DRACOMET<br>0/000.460.9100 (u. 2)        |
| 8 | ● SCREW ESP.6x7 DRACOMET<br>0/000.460.9161 (u. 2)         |

## FRONT LIGHT

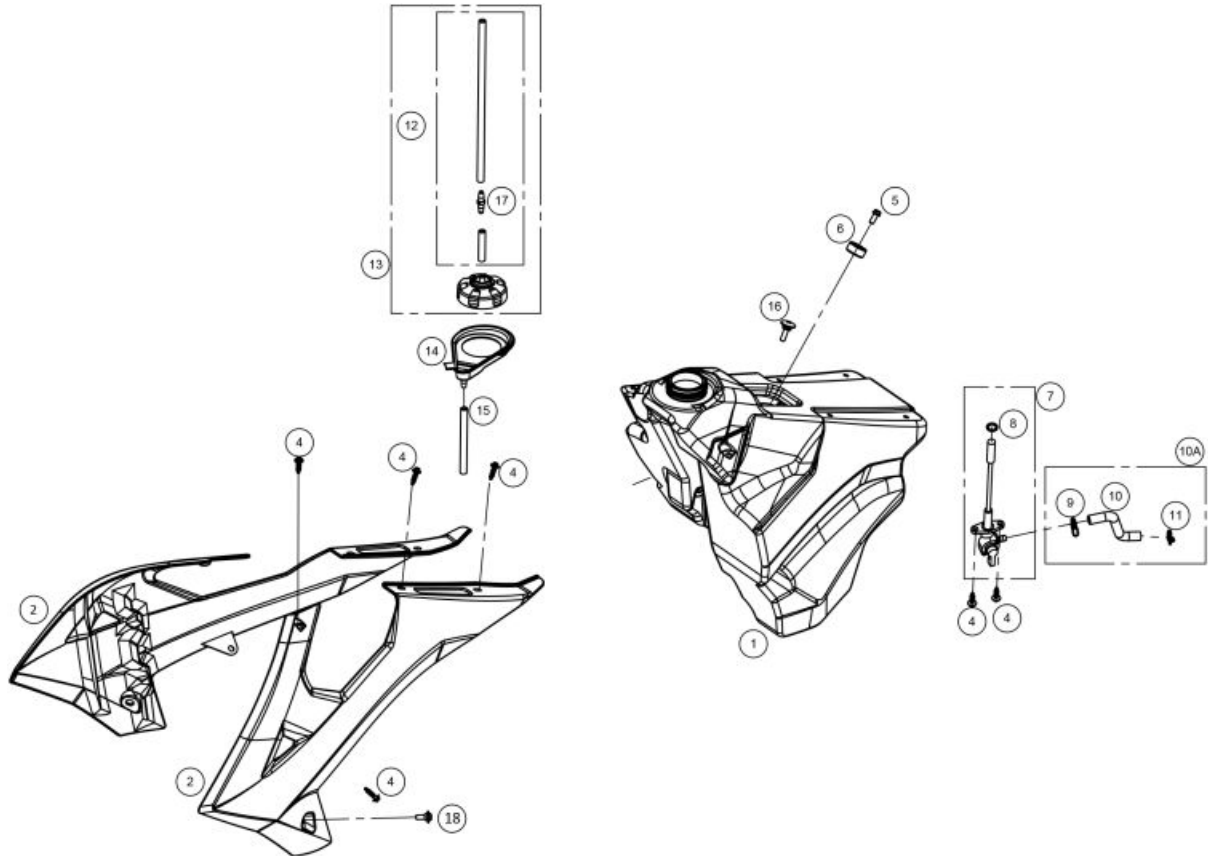


- |    |   |
|----|---|
| 1  | <ul style="list-style-type: none"> <li>LIGHTHOUSE COMPLETE KIT MR</li> <li>0/K00.620.9100 (u. 1)</li> </ul>           |
| 2  | <ul style="list-style-type: none"> <li>PORTAHEAD-LIGHTL.EC 2018 BL.</li> <li>0/000.620.9100 (u. 1)</li> </ul>         |
| 3  | <ul style="list-style-type: none"> <li>HEADLAMP RUBBER HOLDER</li> <li>0/000.360.9102 (u. 2)</li> </ul>               |
| 5  | <ul style="list-style-type: none"> <li>6X16 ULS SCREW ISO 7380-1 NEGRO 12.9</li> <li>0/000.460.9156 (u. 2)</li> </ul> |
| 6  | <ul style="list-style-type: none"> <li>LEFT FRONT INDICATOR</li> <li>0/000.150.9101 (u. 1)</li> </ul>                 |
| 7  | <ul style="list-style-type: none"> <li>NUT WASHER 6mm DIN 6923 ZINC 8</li> <li>0/000.340.9116 (u. 2)</li> </ul>       |
| 8  | <ul style="list-style-type: none"> <li>RIGHT FRONT INDICATOR</li> <li>0/000.150.9100 (u. 1)</li> </ul>                |
| 9  | <ul style="list-style-type: none"> <li>4X12X1 WASHER PLANE ZN AG CR3</li> <li>0/000.440.9119 (u. 2)</li> </ul>        |
| 11 | <ul style="list-style-type: none"> <li>SELFLOCKING NUT M5 DIN-985 ZINC 8</li> <li>0/000.340.9112 (u. 1)</li> </ul>    |
| 12 | <ul style="list-style-type: none"> <li>HEAD LIGHT REGULATION SHEET</li> <li>0/000.980.9103 (u. 1)</li> </ul>          |
| 13 | <ul style="list-style-type: none"> <li>VISS PALSTIC 4x10 ZN BLUE</li> <li>0/000.460.9159 (u. 2)</li> </ul>            |
| 14 | <ul style="list-style-type: none"> <li>COMPLETE HEAD LAMP BEAM UNIT</li> <li>0/000.600.0260 (u. 1)</li> </ul>         |
| 15 | <ul style="list-style-type: none"> <li>SCREW REG LAMP SPRING</li> <li>0/000.470.9107 (u. 1)</li> </ul>                |
| 16 | <ul style="list-style-type: none"> <li>WASHER 5x12x1.5 DIN 125A ZINC</li> <li>0/000.440.9121 (u. 2)</li> </ul>        |
| 17 | <ul style="list-style-type: none"> <li>ALUMINIUM BUSHING 55X10X6</li> <li>0/000.480.9128 (u. 1)</li> </ul>            |
| 19 | <ul style="list-style-type: none"> <li>NUT LOCKNUT. M4 DIN 985 ZINC 8</li> <li>0/000.340.9111 (u. 1)</li> </ul>       |



<b>20</b>	<ul style="list-style-type: none"> <li>● FRONT SUPPORT HEADLAMP 0/000.980.9104 (u. 2)</li> </ul>	<b>OBSOLETE</b>
	<ul style="list-style-type: none"> <li>● SOPORTE PORTAFARO MR NEGRO INY. 0/000.980.9127 (u. 2)</li> </ul>	
<b>21</b>	<ul style="list-style-type: none"> <li>● 2012 EC HEAD LIGHT REINFORCEMENT REED 0/000.980.9106 (u. 1)</li> </ul>	
<b>22</b>	<ul style="list-style-type: none"> <li>● ALLEN BOLT, 4X25 DIN 912 ZINC 0/000.460.9144 (u. 1)</li> </ul>	
<b>23</b>	<ul style="list-style-type: none"> <li>● REGULATOR BOLT HEADLIGHT ELESA 0/000.460.9106 (u. 1)</li> </ul>	
<b>24</b>	<ul style="list-style-type: none"> <li>● VISS PALSTIC 4x10 ZN BLUE 0/000.460.9159 (u. 2)</li> </ul>	
<b>25</b>	<ul style="list-style-type: none"> <li>● SPECIAL PLASTIC BOLT 4X12 CELO RF87T VERZINKT 0/000.460.9160 (u. 4)</li> </ul>	

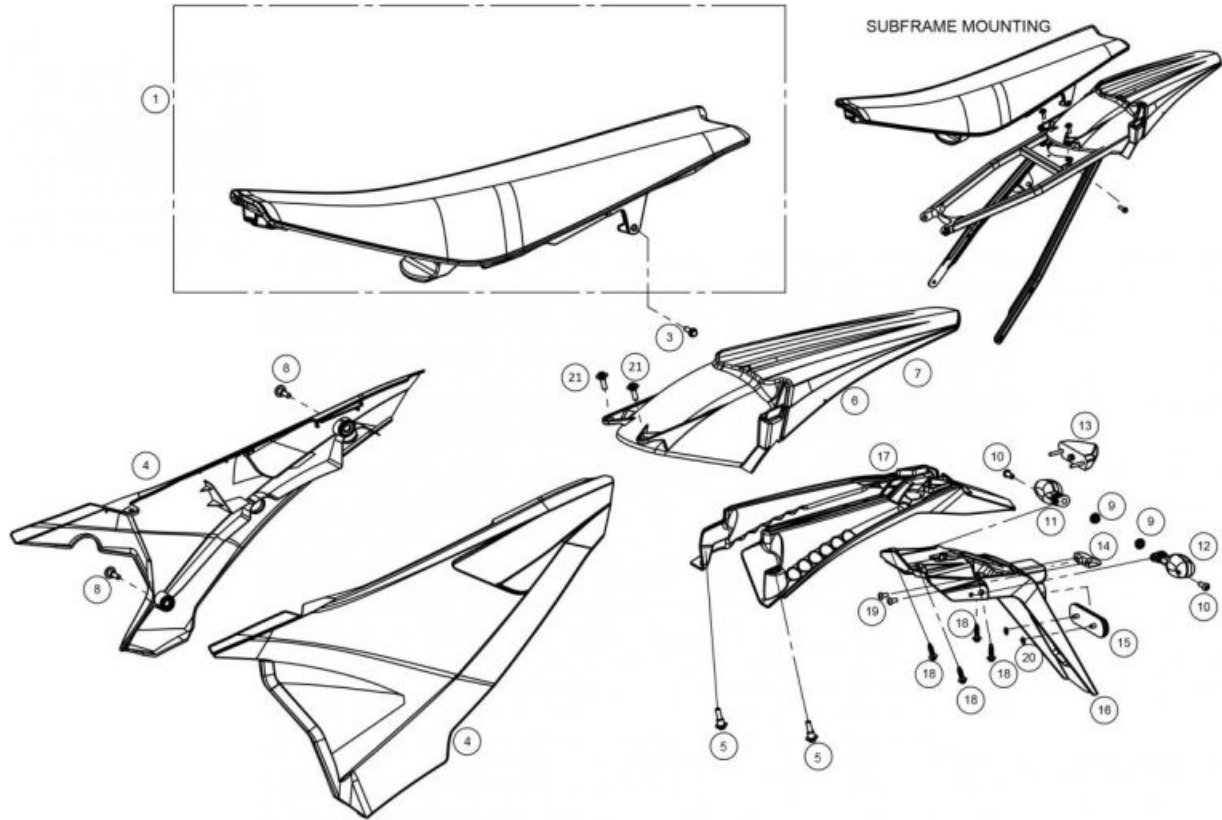
## TANK



1	<ul style="list-style-type: none"> <li>TANK COMBUSTIBLE EUROPA (XPE) ENDURO 2018</li> <li>0/000.030.9100 (u. 1)</li> </ul>
2	<ul style="list-style-type: none"> <li>WHITE SET RADIATOR COVER EC NO STICKERS</li> <li>0/K00.570.9107 (u. 1)</li> </ul>
4	<ul style="list-style-type: none"> <li>TORN. ESP. ROSCA PLASTICO Hex.6 C/Arandela 6x20</li> <li>0/000.460.9178 (u. 10)</li> </ul>
5	<ul style="list-style-type: none"> <li>HEX BOLT WASHER 6x14 (Fork Brace) DIN 6921</li> <li>0/000.460.9118 (u. 1)</li> </ul>
6	<ul style="list-style-type: none"> <li>SILENTBLOCK+WASHER TANK GASOLIN</li> <li>0/000.360.9105 (u. 1)</li> </ul>
7	<ul style="list-style-type: none"> <li>COCK GASOLINE ENDURO 2018</li> <li>0/000.370.9100 (u. 1)</li> </ul>
8	<ul style="list-style-type: none"> <li>10X25 FUEL TAP O/RING</li> <li>B740120 (u. 1)</li> </ul>
9	<ul style="list-style-type: none"> <li>SPRING CLAMP M-11.6-12.3 ZINC CR3</li> <li>0/000.680.9102 (u. 1)</li> </ul>
10	<ul style="list-style-type: none"> <li>TUBE GASOLINE ENDURO 2018 HOMOLOGATION</li> <li>0/000.290.9109 (u. 1)</li> </ul>
11	<ul style="list-style-type: none"> <li>SPRING COLLAR M-12X1.5 ACERO ZN</li> <li>0/000.680.9103 (u. 1)</li> </ul>
12	<ul style="list-style-type: none"> <li>FUEL TANK VENT HOSE 26cm</li> <li>0/000.290.9115 (u. 1)</li> </ul>
13	<ul style="list-style-type: none"> <li>SET CAP GASOLINE +TUBE EC 2014</li> <li>BE76010CT-CAB-1 (u. 1)</li> </ul>
14	<ul style="list-style-type: none"> <li>REBOSA TANK GASOL.</li> <li>0/000.570.9102 (u. 1)</li> </ul>
15	<ul style="list-style-type: none"> <li>TUBE REBOSAOF RO TANK GASOLINE ENDURO</li> <li>0/000.290.9107 (u. 1)</li> </ul>

16	<ul style="list-style-type: none"><li>TORNILLO DEPOSITO - SILLIN Ø6x23 0/000.460.9177 (u. 1)</li></ul>
17	<ul style="list-style-type: none"><li>Fuel Tank Check Valve BT27836025 (u. 1)</li></ul>
18	<ul style="list-style-type: none"><li>BOLT 6X12 0/000.460.9101 (u. 2)</li></ul>

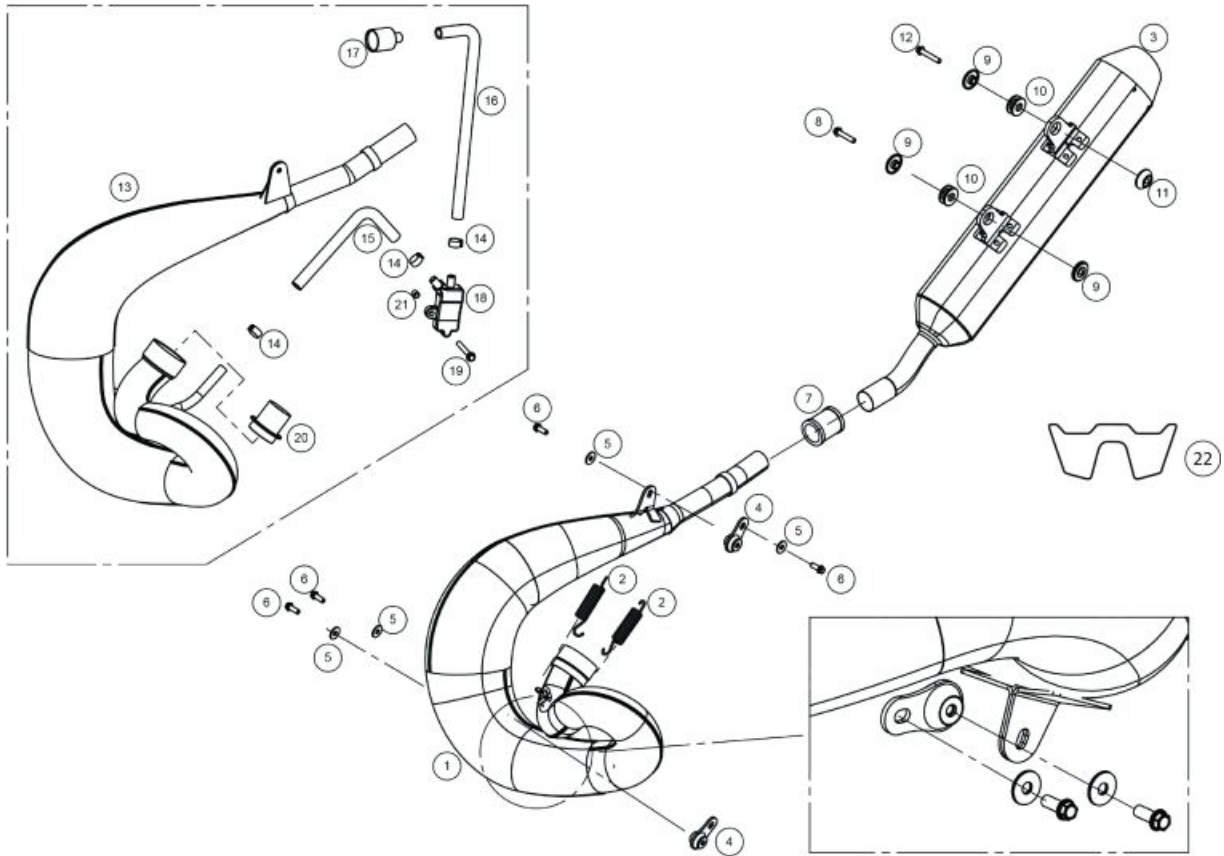
**REAR FAIRING**



1	<ul style="list-style-type: none"> <li>SILLIN MR RANGER 2024 0/000.040.9111 (u. 1)</li> </ul>
3	<ul style="list-style-type: none"> <li>SPECIAL BOLT 6x25 DIN 6921 GEOMET 10.9 0/000.460.9121 (u. 1)</li> </ul>
4	<ul style="list-style-type: none"> <li>SET REAR COVER WHITE MR 0/K00.570.9101 (u. 1)</li> </ul>
5	<ul style="list-style-type: none"> <li>TORN.ESP. DIN 6921 Hex.8 TX30 C/Centrador 8,70 M6x16 Cal.10.9 GEOMET 0/000.460.9202 (u. 2)</li> <li>BIS 6X16 0/000.460.9163 (u. 2)</li> </ul>
6	<ul style="list-style-type: none"> <li>SET REAR FENDER EC 2018 WHITE. 0/000.060.9100 (u. 1)</li> </ul>
8	<ul style="list-style-type: none"> <li>BOLT ESP. 6X16 DRACOMET 0/000.460.9100 (u. 2)</li> </ul>
9	<ul style="list-style-type: none"> <li>NUT WASHER 6mm DIN 6923 ZINC 8 0/000.340.9116 (u. 2)</li> </ul>
10	<ul style="list-style-type: none"> <li>6X16 ULS SCREW ISO 7380-1 NEGRO 12.9 0/000.460.9156 (u. 2)</li> </ul>
11	<ul style="list-style-type: none"> <li>RIGHT REAR INDICATOR 0/000.150.9102 (u. 1)</li> </ul>
12	<ul style="list-style-type: none"> <li>LEFT REAR INDICATOR 0/000.150.9103 (u. 1)</li> </ul>
13	<ul style="list-style-type: none"> <li>LUZ PILOTO TRASERO LED V.2 0/000.150.9106 (u. 1)</li> </ul>
	<ul style="list-style-type: none"> <li>LUZ PILOTO TRASERO LED V.2 0/000.150.9106 (u. 1)</li> </ul>
	<ul style="list-style-type: none"> <li>LUZ PILOTO TRASERO LED V.2 0/000.150.9106 (u. 1)</li> </ul>
14	<ul style="list-style-type: none"> <li>LIGHT NUM-PLATE (HD008000) 0/000.150.9104 (u. 1)</li> </ul>

15	<ul style="list-style-type: none"><li>CATADIOPTIC 700R ENDURO 2007 0/000.630.9103 (u. 1)</li></ul>
16	<ul style="list-style-type: none"><li>PORTA MATRICULAS HOMOLOGADO MRT 2021 0/000.060.5302 (u. 1)</li></ul>
17	<ul style="list-style-type: none"><li>REGIST PLATE HOLOF R SHORT EC 2018 0/000.060.9101 (u. 1)</li></ul>
18	<ul style="list-style-type: none"><li>TORN. ESP. ROSCA PLASTICO Hex.6 C/Arandela 6x20 0/000.460.9178 (u. 4)</li></ul>
19	<ul style="list-style-type: none"><li>ULS TORX WITH ARAND.4X08 ISO 7380-2 INOX A2 0/000.460.9158 (u. 2)</li></ul>
20	<ul style="list-style-type: none"><li>STAPLE 02110396 SRRM-5 0/000.440.9102 (u. 2)</li></ul>
21	<ul style="list-style-type: none"><li>BOLT 6X12 0/000.460.9101 (u. 2)</li></ul>

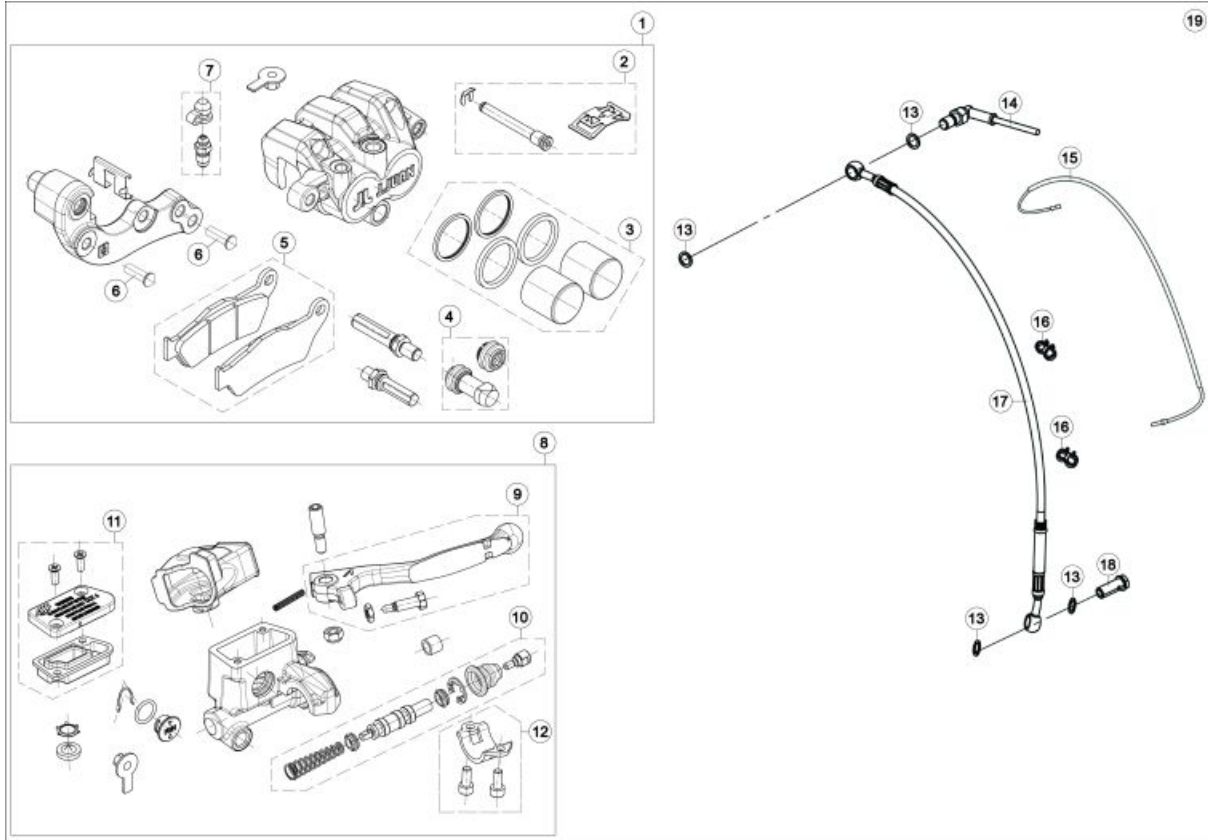
**EXHAUST SYSTEM**



1	<ul style="list-style-type: none"> <li>EXHAUST ECRANGER 0/000.290.9102 (u. 1)</li> </ul>	
2	<ul style="list-style-type: none"> <li>SPRING EXHAUST EC 0/000.470.9106 (u. 2)</li> </ul>	
3	<ul style="list-style-type: none"> <li>FINAL SILENCE ECRANGER 0/000.870.9100 (u. 1)</li> <li>FIBRA PARA SILENCIOSO MR RANGER 2022 0/000.870.9106 (u. 1)</li> </ul>	
4	<ul style="list-style-type: none"> <li>SILENBLOCK EXHAUST ENDURO 0/000.360.9107 (u. 2)</li> </ul>	
5	<ul style="list-style-type: none"> <li>WASHER 6x18x1.5 ZINC 0/000.440.9126 (u. 4)</li> </ul>	
6	<ul style="list-style-type: none"> <li>6x16 HEX HEAD WASHER DIN 6921 ZINC.10.9 0/000.460.9119 (u. 4)</li> </ul>	
7	<ul style="list-style-type: none"> <li>EXHAUST RUBBER GASKET 0/000.490.9103 (u. 1)</li> </ul>	
8	<ul style="list-style-type: none"> <li>ALLEN BOLT 6x30 DIN 6921 GEOMET 0/000.460.9123 (u. 1)</li> <li>TORN.ESP. DIN 6921 Hex.8 TX30 M6x30 Fil.20 Cal.10.9 GEOMET 0/000.460.9183 (u. 1)</li> </ul>	<b>OBSOLETE</b>
9	<ul style="list-style-type: none"> <li>BUSH SILENCER SHORT EC 2018 0/000.480.9115 (u. 3)</li> </ul>	
10	<ul style="list-style-type: none"> <li>SILENBLOCK MUFFLER EC 2018 0/000.360.9108 (u. 2)</li> </ul>	
11	<ul style="list-style-type: none"> <li>BUSH SILENCER LONG ENDURO 2018 0/000.480.9114 (u. 1)</li> </ul>	
12	<ul style="list-style-type: none"> <li>SPECIAL BOLT 6X35 DIN 6921 GEOMET 0/000.460.9124 (u. 1)</li> </ul>	

13	<ul style="list-style-type: none"> <li>EXHAUST EC 2018 HOMOLOGATION 0/000.290.9113 (u. 1)</li> </ul>
	<ul style="list-style-type: none"> <li>HOMOLOGATE EXHAUST ECRANGER BE86000GG-CTR-1 (u. 1)</li> </ul>
14	<ul style="list-style-type: none"> <li>CLAMP D.15/8 W4 INOX A2 0/000.680.9106 (u. 3)</li> </ul>
15	<ul style="list-style-type: none"> <li>VALVE TO FILTER RUBBER TUBE 0/000.290.9110 (u. 1)</li> </ul>
16	<ul style="list-style-type: none"> <li>EXHAUST TO VALVE RUBBER TUBE 0/000.290.9111 (u. 1)</li> </ul>
17	<ul style="list-style-type: none"> <li>SECONDARY AIR FILTER BT280626059 (u. 1)</li> </ul>
18	<ul style="list-style-type: none"> <li>AIS VALVE 0/000.640.9100 (u. 1)</li> </ul>
19	<ul style="list-style-type: none"> <li>HEAD SCREW 6x60 DELTA PROTEK 10.9 0/000.460.9128 (u. 1)</li> </ul>
20	<ul style="list-style-type: none"> <li>CATALIZER EC250-2002 0/001.600.9100 (u. 1)</li> </ul>
21	<ul style="list-style-type: none"> <li>LOAD LIMITER BUSH 0/000.980.9112 (u. 1)</li> </ul>

**FRONT BRAKE**

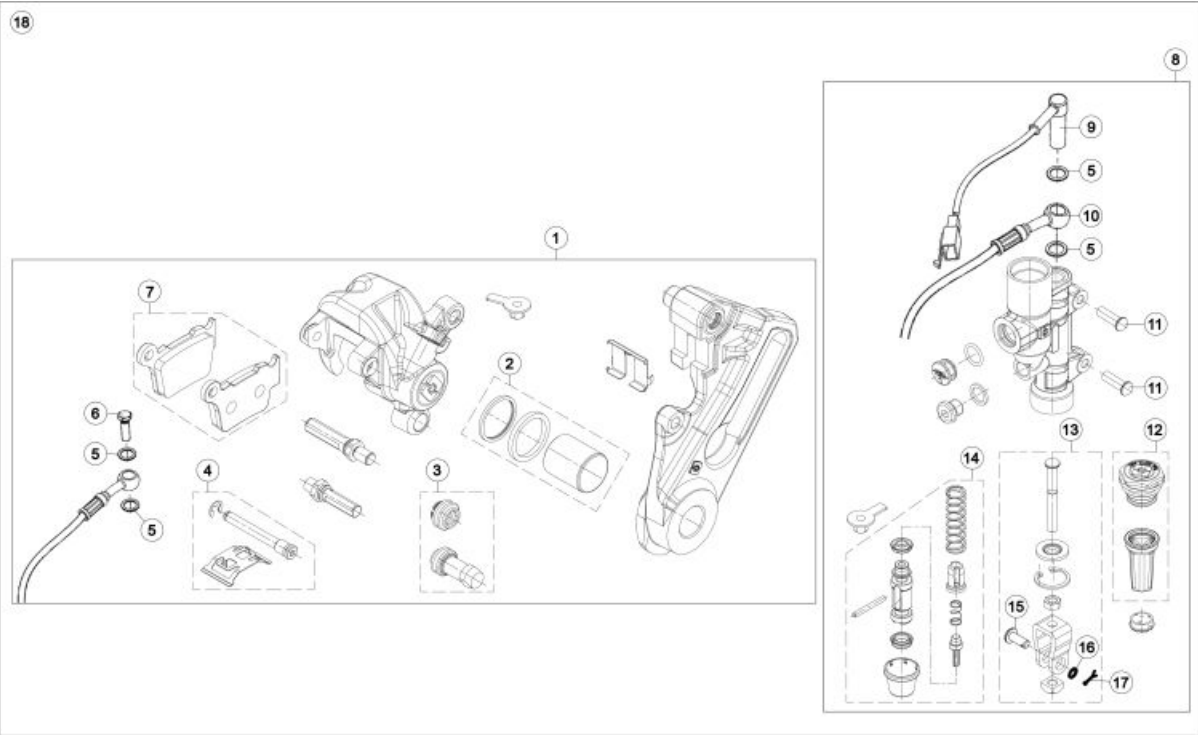


1	<ul style="list-style-type: none"> <li>FRONT CALIPER SET BE62000GG-CTR-1 (u. 1)</li> </ul>	
2	<ul style="list-style-type: none"> <li>FRONT BRAKE PAD PIN ECRANGER BE62020GG-CTR-1 (u. 1)</li> </ul>	
3	<ul style="list-style-type: none"> <li>REAR CALIPER PISTON BE67560GG-CTR-1 (u. 1)</li> </ul>	
4	<ul style="list-style-type: none"> <li>RANGER BRAKE CALIPER DUST GUARD ASSEMBLY BE67580GG-CTR-1 (u. 1)</li> <li>KIT GUARDAPOLVO PINZA FRENO DEL. ECRANGER BE62030GG-CTR-1 (u. 1)</li> </ul>	<b>OBSELETE</b>
5	<ul style="list-style-type: none"> <li>FRONT BRAKE PADS ECRANGER BE62500GG-CTR-1 (u. 1)</li> </ul>	
6	<ul style="list-style-type: none"> <li>SCREW SPECIAL 8X30 GEOMET 10.9 0/000.460.9138 (u. 2)</li> </ul>	
7	<ul style="list-style-type: none"> <li>FRONT BRAKE CALIPER BLEEDER KIT. ECRANGER BE62040GG-CTR-1 (u. 1)</li> </ul>	
8	<ul style="list-style-type: none"> <li>FRONT BREAK PUMP ECRANGER BE61000CT-CTR-1 (u. 1)</li> </ul>	
9	<ul style="list-style-type: none"> <li>FRONT BRAKE LEVER ECRANGER BE61300GG-CTR-1 (u. 1)</li> </ul>	
10	<ul style="list-style-type: none"> <li>SET FRONT BRAKE PUMP REPAIR ECRANGER BE61405GG-CTR-1 (u. 1)</li> </ul>	
11	<ul style="list-style-type: none"> <li>SET ECRANGER COVER REPAIR BE61010GG-CTR-1 (u. 1)</li> </ul>	
12	<ul style="list-style-type: none"> <li>ECRANGE HANDLEBAR BRACKET SUPPORT BE61350GG-CTR-1 (u. 1)</li> </ul>	
13	<ul style="list-style-type: none"> <li>HOSE WASHER 10X4X1 BE25622007 (u. 4)</li> </ul>	
14	<ul style="list-style-type: none"> <li>SWITCH STOP 0/000.720.9104 (u. 1)</li> </ul>	



15	● TT MULTIFUNCTION HOSE 0/001.010.9100 (u. 1)
16	● SPEEDO CABLE HOLDER CLIP 2008 0/000.630.9104 (u. 2)
17	● FRONT BRAKE HOSE ECRANGER BE61100GG-CTR-1 (u. 1)
18	● HOSE HOLDER RACORD 10X125 BC25722006 (u. 1)
19	● SET FRONT BRAKE ECRANGER 0/000.820.9102 (u. 1)

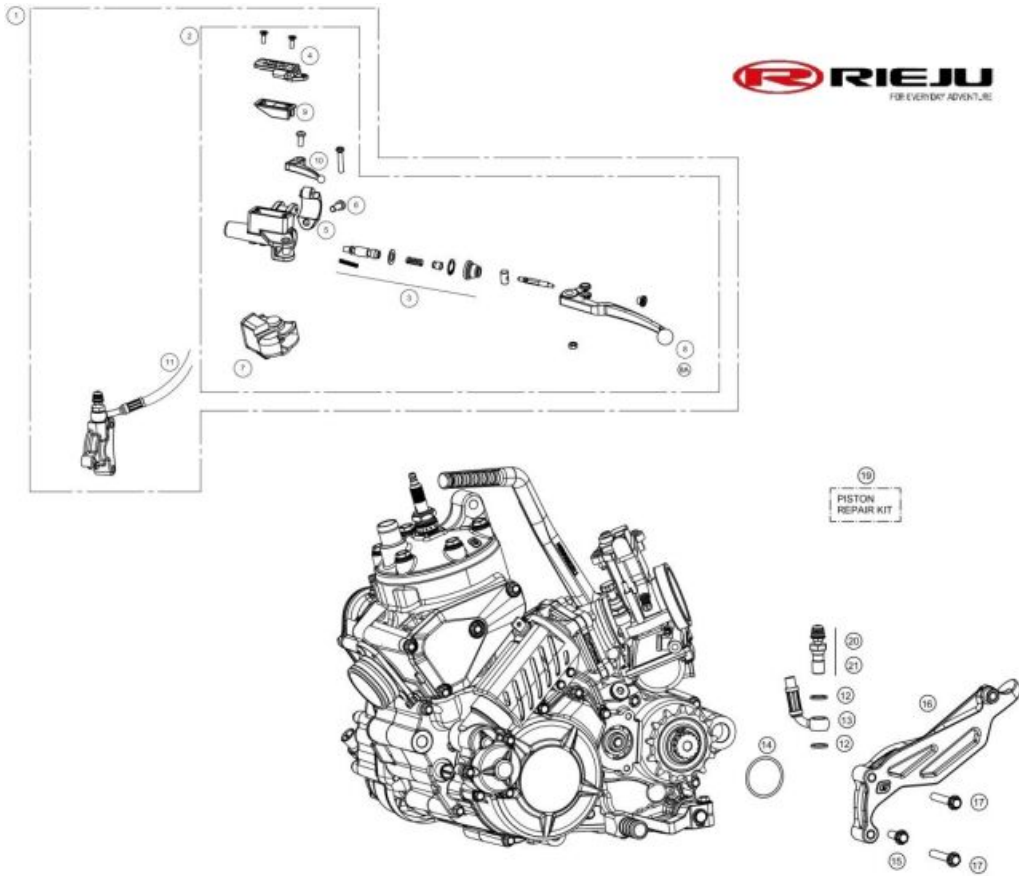
**REAR BRAKE**



1	<ul style="list-style-type: none"> <li>REAR CALIPER SET BE67000GG-CTR-1 (u. 1)</li> </ul>
2	<ul style="list-style-type: none"> <li>REAR BRAKE CALIPER REPAIR KIT BE67120GG-CTR-1 (u. 1)</li> </ul>
3	<ul style="list-style-type: none"> <li>RANGER BRAKE CALIPER DUST GUARD ASSEMBLY BE67580GG-CTR-1 (u. 1)</li> </ul>
4	<ul style="list-style-type: none"> <li>REAR BRAKE PAD PIN ECRANGER BE67495GG-CTR-1 (u. 1)</li> </ul>
5	<ul style="list-style-type: none"> <li>HOSE WASHER 10X4X1 BE25622007 (u. 4)</li> </ul>
6	<ul style="list-style-type: none"> <li>HOSE HOLDER RACORD 10X125 BC25722006 (u. 1)</li> </ul>
7	<ul style="list-style-type: none"> <li>REAR BRAKE PADS ECRANGER BE67500GG-CTR-1 (u. 1)</li> </ul>
8	<ul style="list-style-type: none"> <li>REAR BRAKE PUMP ECRANGER BE66000CT-CTR-1 (u. 1)</li> </ul>
9	<ul style="list-style-type: none"> <li>SWITCH STOP 0/000.720.9104 (u. 1)</li> </ul>
10	<ul style="list-style-type: none"> <li>REAR BRAKE HOSE ECRANGER BE66100GG-CTR-1 (u. 1)</li> </ul>
11	<ul style="list-style-type: none"> <li>6x16 HEX HEAD WASHER DIN 6921 ZINC.10.9 0/000.460.9119 (u. 2)</li> </ul>
12	<ul style="list-style-type: none"> <li>REPAIR KIT REAR BRAKE PUMP COVER BE66005GG-CTR-1 (u. 1)</li> </ul>
13	<ul style="list-style-type: none"> <li>REAR BRAKE LINK ECRANGER BE66050GG-CTR-1 (u. 1)</li> </ul>
14	<ul style="list-style-type: none"> <li>REAR BRAKE PISTON PISTON KIT BE66025GG-CTR-1 (u. 1)</li> </ul>
15	<ul style="list-style-type: none"> <li>BRAKE PEDAL PIN 8X20 0/000.840.9101 (u. 1)</li> </ul>
16	<ul style="list-style-type: none"> <li>REAR CHASSIS ATTACHMENT WASHER 0/000.440.0160 (u. 1)</li> </ul>

17	<ul style="list-style-type: none"><li>• 2X20 BRAKE PEDAL PIN STOPPER 0/000.840.9102 (u. 1)</li></ul>
18	<ul style="list-style-type: none"><li>• SET REAR BRAKE ECRANGER 0/000.820.9103 (u. 1)</li></ul>

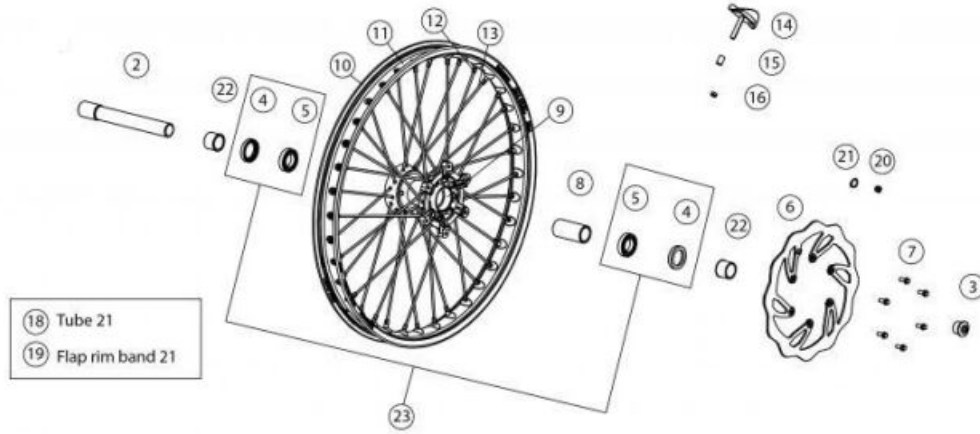
**CLUTCH CONTROL**



1	<ul style="list-style-type: none"> <li>COMPLETE MAGURA CLUTCH PUMP, 9.5 (167) 0/000.830.9101 (u. 1)</li> </ul>	
2	<ul style="list-style-type: none"> <li>CLUTCH PUMP MAGURA 9,5 (167) 0020747 BE45000013011 (u. 1)</li> </ul>	<b>OBSOLETE</b>
3	<ul style="list-style-type: none"> <li>PISTON KIT, 9.5mm (0723184) BE45000043011 (u. 1)</li> </ul>	
4	<ul style="list-style-type: none"> <li>TAPA BOMBA EMBRAGUE NEGRA 167.2 0/000.350.9119 (u. 1)</li> </ul>	
	<ul style="list-style-type: none"> <li>COVER OIL MINERAL (0723164) BE45000053011 (u. 1)</li> </ul>	
5	<ul style="list-style-type: none"> <li>CLAMP, HOLDER BE45000063011 (u. 1)</li> </ul>	
6	<ul style="list-style-type: none"> <li>TORN.ESP. DIN 6921 Hex.8 TX30 M6x20 Cal.10.9 GEOMET 0/000.460.9181 (u. 1)</li> </ul>	
	<ul style="list-style-type: none"> <li>TORN.ESP. DIN 6921 Hex.8 TX30 M6x20 Cal.10.9 GEOMET 0/000.460.9181 (u. 1)</li> </ul>	
	<ul style="list-style-type: none"> <li>BOLT 6x20 DIN 6921 GEOMET 10.9 0/000.460.9120 (u. 1)</li> </ul>	<b>OBSOLETE</b>
7	<ul style="list-style-type: none"> <li>DUST SHIELD BE45000093011 (u. 1)</li> </ul>	
8A	<ul style="list-style-type: none"> <li>LONG CLUTCH LEVER BE45000033011 (u. 1)</li> </ul>	
8	<ul style="list-style-type: none"> <li>LEVER CORTA CLUTCH(0723121) BE45000023011 (u. 1)</li> </ul>	
9	<ul style="list-style-type: none"> <li>TAPA BOMBA EMBRAGUE NEGRA 167.2 0/000.350.9119 (u. 1)</li> </ul>	
	<ul style="list-style-type: none"> <li>MEMBRANAPÀSITO (0723162) BE45000103011 (u. 1)</li> </ul>	<b>OBSOLETE</b>

10	<ul style="list-style-type: none"> <li>• CHOKE LEVER BE45000073011 (u. 1)</li> </ul>	
11	<ul style="list-style-type: none"> <li>• CLUTCH HOSE BE250522003 (u. 1)</li> </ul>	
12	<ul style="list-style-type: none"> <li>• HOSE WASHER 10X4X1 BE25622007 (u. 2)</li> </ul>	
13	<ul style="list-style-type: none"> <li>• CLUTCH HOSE BE250522003 (u. 1)</li> </ul>	
14	<ul style="list-style-type: none"> <li>• CLUTCH PUMP OÆRING ME25632024 (u. 1)</li> </ul>	
	<ul style="list-style-type: none"> <li>• BOLT 6x20 DIN 6921 GEOMET 10.9 0/000.460.9120 (u. 1)</li> </ul>	<b>OBSOLETE</b>
15	<ul style="list-style-type: none"> <li>• TORN.ESP. DIN 6921 Hex.8 TX30 M6x20 Cal.10.9 GEOMET 0/000.460.9181 (u. 1)</li> </ul>	
	<ul style="list-style-type: none"> <li>• TORN.ESP. DIN 6921 Hex.8 TX30 M6x20 Cal.10.9 GEOMET 0/000.460.9181 (u. 1)</li> </ul>	
16	<ul style="list-style-type: none"> <li>• CHAIN SLIDER KIT 3 COMP. BE43015CT-CLJ-1 (u. 1)</li> </ul>	
	<ul style="list-style-type: none"> <li>• TORN.ESP. DIN 6921 Hex.8 TX30 M6x50 Fil.20 Cal.10.9 GEOMET 0/000.460.9186 (u. 2)</li> </ul>	
17	<ul style="list-style-type: none"> <li>• TORN.ESP. DIN 6921 Hex.8 TX30 M6x50 Fil.20 Cal.10.9 GEOMET 0/000.460.9186 (u. 2)</li> </ul>	
	<ul style="list-style-type: none"> <li>• HEAD SCREW 6x50 DIN 6921 GEOMET 10.9 0/000.460.9126 (u. 2)</li> </ul>	<b>OBSOLETE</b>
18	<ul style="list-style-type: none"> <li>• BOMBIN EMBRAGUE ME250632026 (u. 1)</li> </ul>	<b>OBSOLETE</b>
19	<ul style="list-style-type: none"> <li>• BOMBIN EMBRAGUE ME250632026 (u. 1)</li> </ul>	<b>OBSOLETE</b>
20	<ul style="list-style-type: none"> <li>• Bleeder Cap BT27922055 (u. 1)</li> </ul>	
21	<ul style="list-style-type: none"> <li>• Bleeder, Pro Rear Brake Caliper BE25622060 (u. 1)</li> </ul>	

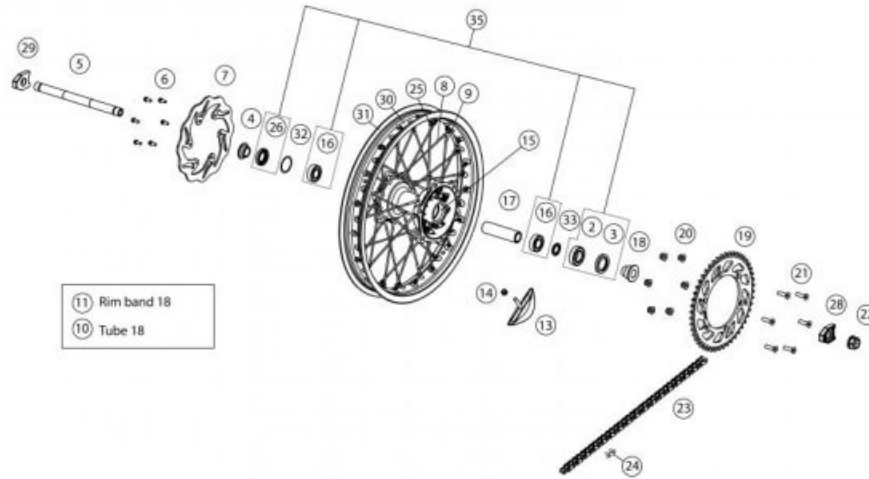
**FRONT WHEEL**



2	<ul style="list-style-type: none"> <li>FRONT AXLE INNER SCREW MR2022 0/000.460.9166 (u. 1)</li> <li>FRONT WHEEL AXLE EC 2011 20.8CM 0/000.190.9102 (u. 1)</li> </ul>
3	<ul style="list-style-type: none"> <li>FRONT WHEEL AXIS BOLT 0/000.340.9100 (u. 1)</li> </ul>
4	<ul style="list-style-type: none"> <li>FRONT WHEEL GASKET BE250418057 (u. 2)</li> </ul>
5	<ul style="list-style-type: none"> <li>Front Wheel Bearing 04 Pro ME120136055 (u. 2)</li> </ul>
6	<ul style="list-style-type: none"> <li>FRONT BRAKE DISCK MR 260mm 0/001.090.9107 (u. 1)</li> </ul>
7	<ul style="list-style-type: none"> <li>SREWC WASHERr 6x14 (Fork Brace) 0/000.460.9142 (u. 6)</li> </ul>
8	<ul style="list-style-type: none"> <li>SPACER BE250418058 (u. 1)</li> </ul>
9	<ul style="list-style-type: none"> <li>FRONT WHEEL HUB BE54110GG-CAB-1 (u. 1)</li> </ul>
10	<ul style="list-style-type: none"> <li>LLANTA DELANTERA 21x1,6" ANODIZADA NEGRA 0/000.230.9104 (u. 1)</li> </ul>
11	<ul style="list-style-type: none"> <li>RUEDA DEL. 1.6 x 21" MR RANGER 2022 0/000.110.9102 (u. 1)</li> </ul>
12	<ul style="list-style-type: none"> <li>TUERCA RADIO DEL. BE542503013 (u. 36)</li> </ul>
13	<ul style="list-style-type: none"> <li>RADIO DEL.EC-2013 BE542003013 (u. 36)</li> </ul>
14	<ul style="list-style-type: none"> <li>FRONT TIRE HOLDER 1.6x21 0/000.220.9114 (u. 1)</li> </ul>
15	<ul style="list-style-type: none"> <li>FR. TIRE HOLDING BUSHING EC-2010 8X12X12 0/000.480.9112 (u. 1)</li> </ul>

16	<ul style="list-style-type: none"><li>AUTOLOCK NUT 8MM DIN 985 ZINC 0/000.340.9114 (u. 1)</li></ul>
18	<ul style="list-style-type: none"><li>CAMARA DELANTERA 21MDR VALVE TR4 833092 0/000.520.9100 (u. 1)</li></ul>
19	<ul style="list-style-type: none"><li>PROT.BANDA DEL.FLAP 1.60/1.85 X 21(1400X25) 949947 0/000.220.9108 (u. 1)</li></ul>
20	<ul style="list-style-type: none"><li>MAGNET EC 2010 0/001.010.9101 (u. 1)</li></ul>
21	<ul style="list-style-type: none"><li>SEGEER A 9 DIN 471 BRACKET MAGNET EC 2010 0/000.300.9100 (u. 1)</li></ul>
22	<ul style="list-style-type: none"><li>FRONT WHEEL SPACER 0/000.480.9100 (u. 1)</li></ul>
23	<ul style="list-style-type: none"><li>SET BEARINGS AND SEALS FRONT WHEEL EC BE51000CT2510 (u. 1)</li></ul>

**REAR WHEEL**

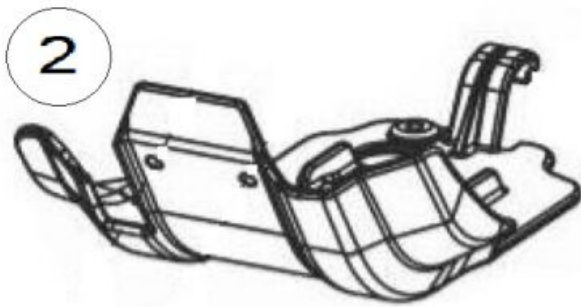
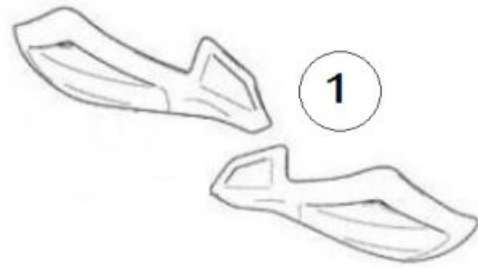


2	<ul style="list-style-type: none"> <li>● WHEEL BEARING BE250318054 (u. 1)</li> </ul>	
3	<ul style="list-style-type: none"> <li>● REAR WHEEL SEAL BE250318055 (u. 1)</li> </ul>	
4	<ul style="list-style-type: none"> <li>● SHORT REAR WHEEL SPACER 0/000.480.9104 (u. 1)</li> </ul>	
5	<ul style="list-style-type: none"> <li>● AXLE WHEEL REAR EC 2018 0/000.190.9103 (u. 1)</li> </ul>	
6	<ul style="list-style-type: none"> <li>● HEX BOLT WASHER 6x14 (Fork Brace) DIN 6921 0/000.460.9118 (u. 6)</li> </ul>	
7	<ul style="list-style-type: none"> <li>● REAR BRAKE DISC FLOR EC 2010 0/001.090.9102 (u. 1)</li> </ul>	<b>OBSOLETE</b>
	<ul style="list-style-type: none"> <li>● REAR BRAKE DISC MR 220mm 0/001.090.9108 (u. 1)</li> </ul>	
8	<ul style="list-style-type: none"> <li>● RADIO 192x4,5 LADO BRAKE 18" BE59200GG-CLJ-1 (u. 18)</li> </ul>	
9	<ul style="list-style-type: none"> <li>● RADIO 188X4.5 LADO CROWN 18" BE59210GG-CLJ-1 (u. 18)</li> </ul>	
10	<ul style="list-style-type: none"> <li>● CAMARA TRASERA CH 18 MGR VALVE TR4 MICHELIN 0/000.520.9102 (u. 1)</li> </ul>	
11	<ul style="list-style-type: none"> <li>● PROT.BANDA TRASERO 1.60/2.00 X 18/19 (1300X25) 656 0/000.220.9110 (u. 1)</li> </ul>	
13	<ul style="list-style-type: none"> <li>● REAR TYRE HOLDER 2.15x18 0/000.220.9115 (u. 1)</li> </ul>	
14	<ul style="list-style-type: none"> <li>● AUTOLOCK NUT 8MM DIN 985 ZINC 0/000.340.9114 (u. 1)</li> </ul>	
15	<ul style="list-style-type: none"> <li>● REAR WHEEL HUB EC 2018 BE59100GG-CLJ-1 (u. 1)</li> </ul>	



16	<ul style="list-style-type: none"> <li>Wheel Bearing 60042RS C160001 (u. 2)</li> </ul>
17	<ul style="list-style-type: none"> <li>DISTANCING INTER. REAR ENDURO 2018 BE59105GG-CLJ-1 (u. 1)</li> </ul>
18	<ul style="list-style-type: none"> <li>BUSH WHEEL REAR LEFT. ENDURO 2018 0/000.480.9113 (u. 1)</li> </ul>
19	<ul style="list-style-type: none"> <li>Z49 SPROCKET 0/000.500.9100 (u. 1)</li> </ul>
	<ul style="list-style-type: none"> <li>PLATE Z 48 0/000.500.9101 (u. 1)</li> </ul>
	<ul style="list-style-type: none"> <li>SPROCKET, Z50 EC 2014 COLOR TITANIUM 0/000.500.9102 (u. 1)</li> </ul>
20	<ul style="list-style-type: none"> <li>M8 NUT 0/000.340.0180 (u. 6)</li> </ul>
21	<ul style="list-style-type: none"> <li>ALLEN BOLT 8x30 DIN 7991 ZINC 12.9 0/000.460.9153 (u. 6)</li> </ul>
22	<ul style="list-style-type: none"> <li>REAR NUT WHEEL. ENDURO 2018 0/000.340.9104 (u. 1)</li> </ul>
23	<ul style="list-style-type: none"> <li>CHAIN 520 RXP PACKAGED 112 STEPS 0/001.050.9101 (u. 1)</li> </ul>
24	<ul style="list-style-type: none"> <li>ENGANCHE CADENA 520 RXP 0/001.050.9111 (u. 1)</li> </ul>
25	<ul style="list-style-type: none"> <li>REAR SPOKE NUT BE592153013 (u. 36)</li> </ul>
26	<ul style="list-style-type: none"> <li>FRONT WHEEL GASKET C160710 (u. 1)</li> </ul>
28	<ul style="list-style-type: none"> <li>CHAIN ADJUSTER BLOCK ENDURO 2018 0/000.380.9101 (u. 1)</li> </ul>
29	<ul style="list-style-type: none"> <li>CHAIN ADJUSTER BLOCK BLIND ENDURO 2018 0/000.380.9100 (u. 1)</li> </ul>
30	<ul style="list-style-type: none"> <li>RUEDA TRAS 2.15 x 18" MR RANGER 2022 0/000.120.9102 (u. 1)</li> </ul>
31	<ul style="list-style-type: none"> <li>LLANTA TRASERA 18x2,15" ANODIZADA NEGRA 0/000.230.9105 (u. 1)</li> </ul>
32	<ul style="list-style-type: none"> <li>SEEGER RING D42 BE25618038 (u. 1)</li> </ul>
33	<ul style="list-style-type: none"> <li>INTERIOR HUB WASHER BE250318056 (u. 1)</li> </ul>
35	<ul style="list-style-type: none"> <li>SET BEARINGS AND SEALS REAR WHEEL EC BE56000CT2510 (u. 1)</li> </ul>

ACCESSORIES



- 2 ● KIT PROTECTOR CRANKCASE  
0/R00.220.9100 (u. 1)

STICKERS

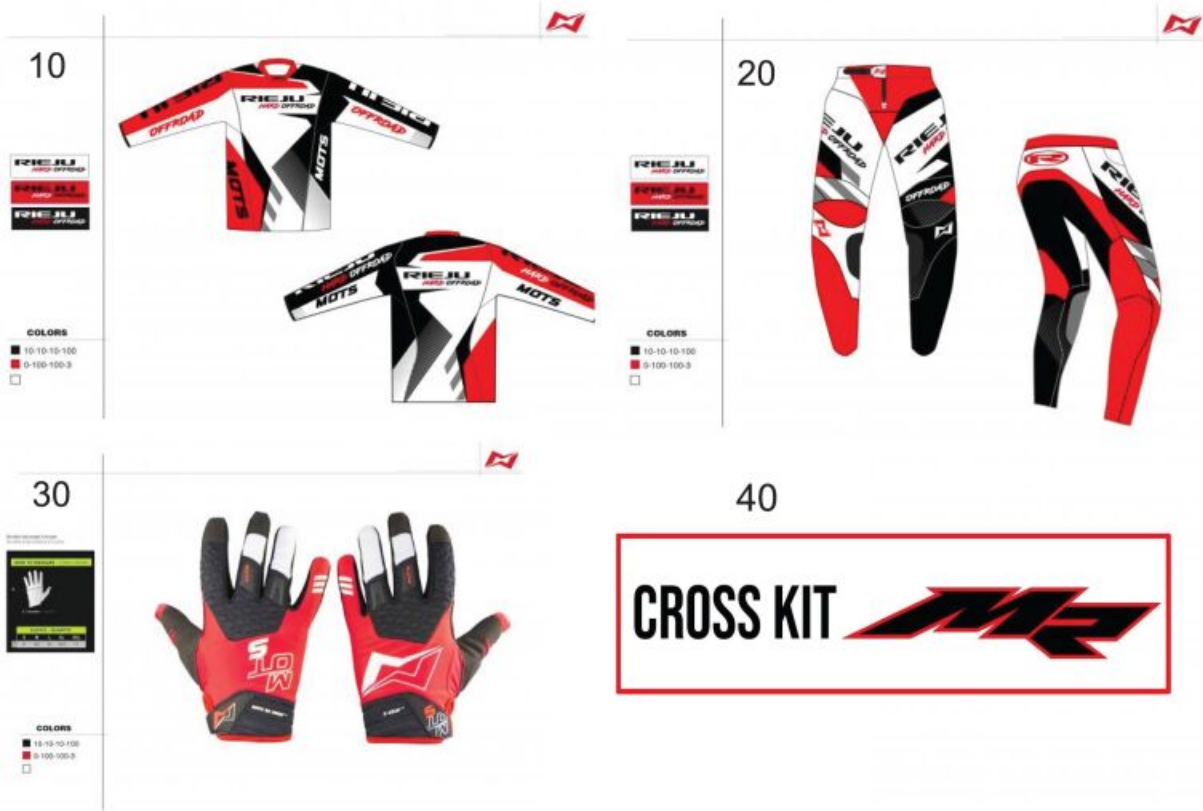
0/000.390.9132 JUEGO CALCAS MR RANGER 2022



1

● STICKERS SET MR RANGER 2022  
0/000.390.9132 (u. 1)

ACCESSORIES



● T-SHIRT HARD OFF ROAD 2021 S.L  
0/000.001.0272 (u. 1)

● T-SHIRT HARD OFF ROAD 2021 S.XXL  
0/000.001.0274 (u. 1)

10 ● T-SHIRT HARD OFF ROAD 2021 S.XL  
0/000.001.0273 (u. 1)

● T-SHIRT HARD OFF ROAD 2021 S. M  
0/000.001.0271 (u. 1)

● CAMISA HARD OFF ROAD RED TALLA S  
0/000.001.0270 (u. 1)

● PANTALON HARD OFF ROAD RED TALLA S  
0/000.001.0275 (u. 1)

● PANTS HARD OFF ROAD 2021 S.M  
0/000.001.0276 (u. 1)

20 ● PANTS HARD OFF ROAD 2021 S.XXL  
0/000.001.0279 (u. 1)

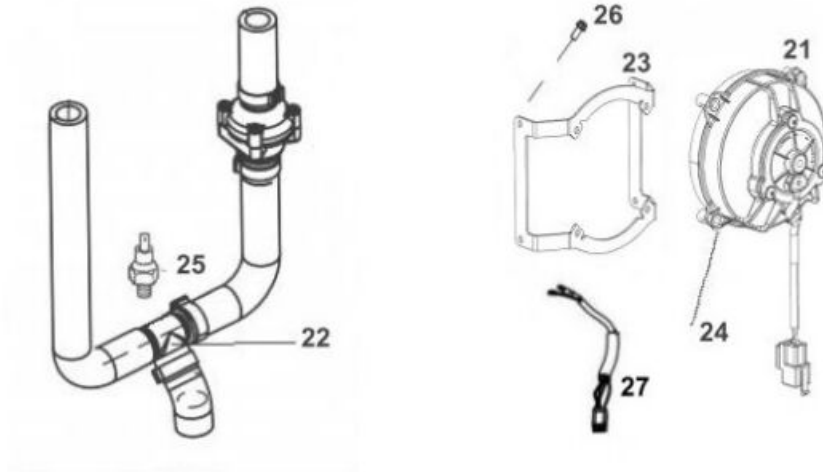
● PANTS HARD OFF ROAD 2021 S.L  
0/000.001.0277 (u. 1)

● PANTS HARD OFF ROAD 2021 S.XL  
0/000.001.0278 (u. 1)

	<ul style="list-style-type: none"> <li>● GLOVES HARD OFF ROAD 2021 XL 0/000.001.0283 (u. 1)</li> </ul>	<b>OBSOLETE</b>
	<ul style="list-style-type: none"> <li>● GUANTES HARD OFF ROAD 2021 TALLA M 0/000.001.0281 (u. 1)</li> </ul>	<b>OBSOLETE</b>
<b>30</b>	<ul style="list-style-type: none"> <li>● GLOVES HARD OFF ROAD 2021 S 0/000.001.0280 (u. 1)</li> </ul>	<b>OBSOLETE</b>
	<ul style="list-style-type: none"> <li>● GLOVES HARD OFF ROAD 2021 S.L 0/000.001.0282 (u. 1)</li> </ul>	<b>OBSOLETE</b>
	<ul style="list-style-type: none"> <li>● GLOVES HARD OFF ROAD 2021 XXL 0/000.001.0284 (u. 1)</li> </ul>	<b>OBSOLETE</b>
<b>40</b>	<ul style="list-style-type: none"> <li>● EC KIT CONVERT IN XC BE99996CT-CMV-1 (u. 1)</li> </ul>	

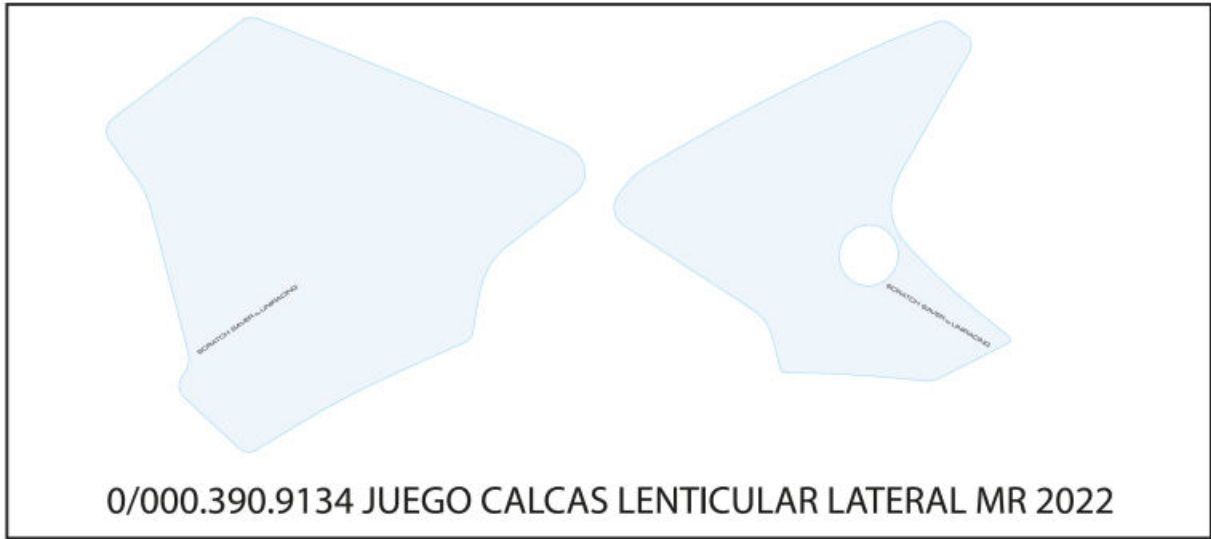
## ELECTRICAL FAN

**28 = 21, 22, 23, 24,  
25, 26, 27**



21	<ul style="list-style-type: none"> <li>ELECTRIC FAN 0/005.060.9100 (u. 1)</li> </ul>
22	<ul style="list-style-type: none"> <li>T TYPE CONNECTOR MR RADIATOR 0/000.290.9119 (u. 1)</li> </ul>
23	<ul style="list-style-type: none"> <li>FAN SUPPORT 0/000.980.9124 (u. 1)</li> </ul>
24	<ul style="list-style-type: none"> <li>SCREW 5X12 0/000.460.0090 (u. 4)</li> </ul>
25	<ul style="list-style-type: none"> <li>TEMPERATURE SENSOR 0/001.010.9102 (u. 1)</li> </ul>
26	<ul style="list-style-type: none"> <li>RIVET DIN 7337 / B 4.8x10 L / BLACK 0/000.330.0053 (u. 4)</li> </ul>
27	<ul style="list-style-type: none"> <li>ELECTRICAL FAN 0/000.160.9111 (u. 1)</li> </ul>
28	<ul style="list-style-type: none"> <li>SET MR ELECTRO + BRACKET + INSTALLATION 0/K05.060.9100 (u. 1) - Para chasis &lt; L00100 necesita 0/000.160.9112</li> </ul>

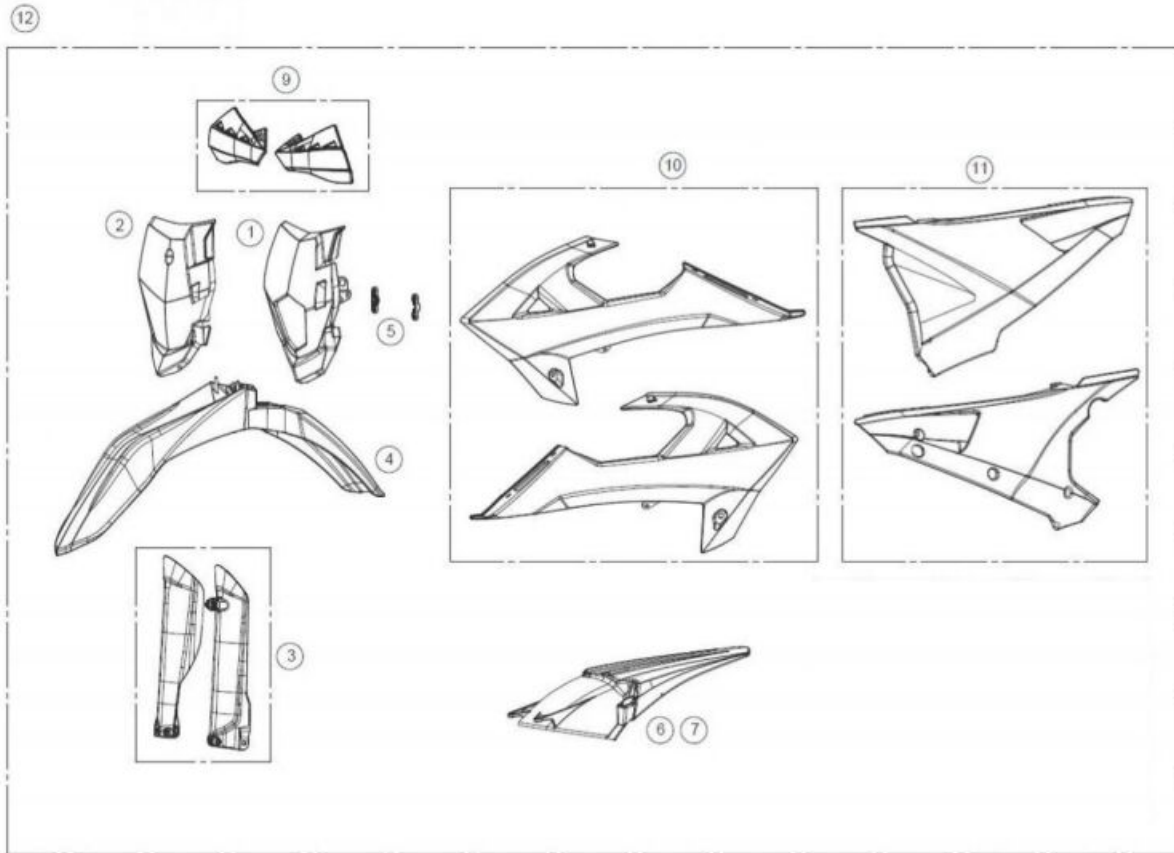
**TRANSPARENT STICKER**



1

- JUEGO CALCAS LENTICULAR LATERAL MR 2022  
0/000.390.9134 (u. 1)

**FAIRING**



1 ● PORTAHEAD-LIGHTL.EC 2018 BL.  
0/000.620.9100 (u. 1)

2 ● FRONT NUMBER-PLATE CROSS COUNTRY 2018 WHITE  
0/000.570.9113 (u. 1)

3 ● CJTO. FORK PROTECTORS MR WHITE  
0/000.220.9144 (u. 1)

4 ● FRONT FENDER EC 2018 NO STIKER  
0/000.050.9101 (u. 1)

5 ● SOPORTE PORTAFARO MR NEGRO INY.  
0/000.980.9127 (u. 2)

● FRONT SUPPORT HEADLAMP  
0/000.980.9104 (u. 2)

**OBSOLETE**

6 ● SET REAR FENDER EC 2018 WHITE.  
0/000.060.9100 (u. 1)

9 ● SET HANDGUARDS ENDURO WHITE (QWEST)  
0/000.770.9100 (u. 1)

10 ● WHITE SET RADIATOR COVER EC NO STICKERS  
0/K00.570.9107 (u. 1)

11 ● SET REAR COVER WHITE MR  
0/K00.570.9101 (u. 1)

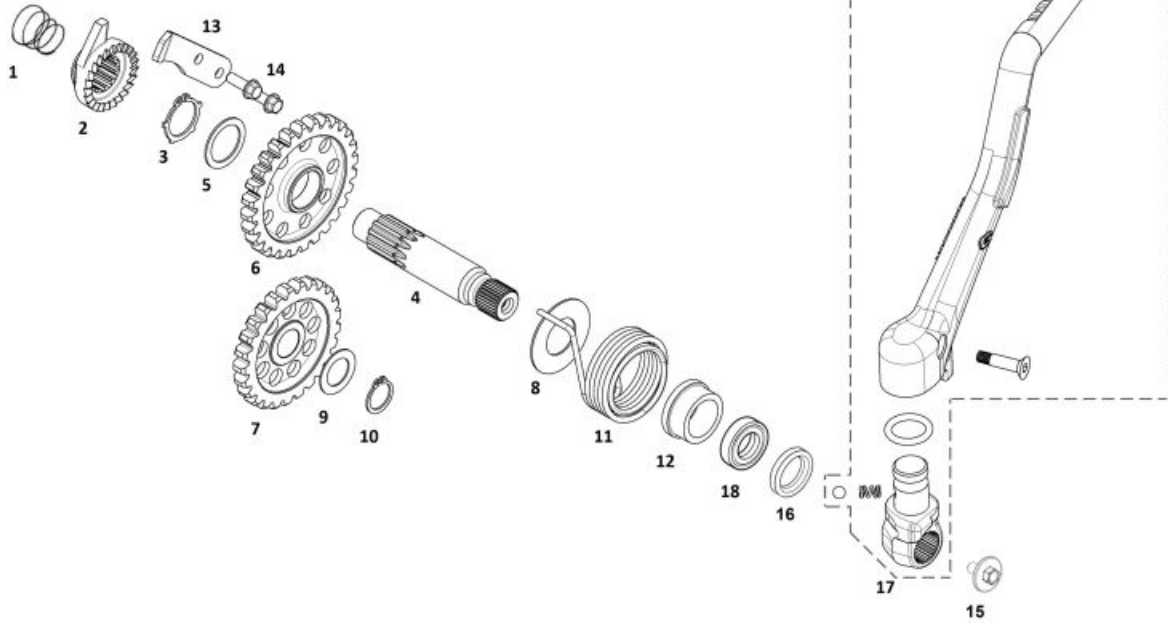
12 ● ENDURO PLASTIC KIT WHITE  
0/K00.570.9105 (u. 1)



# ENGINE MR 2022 V2

MOTOR 2024

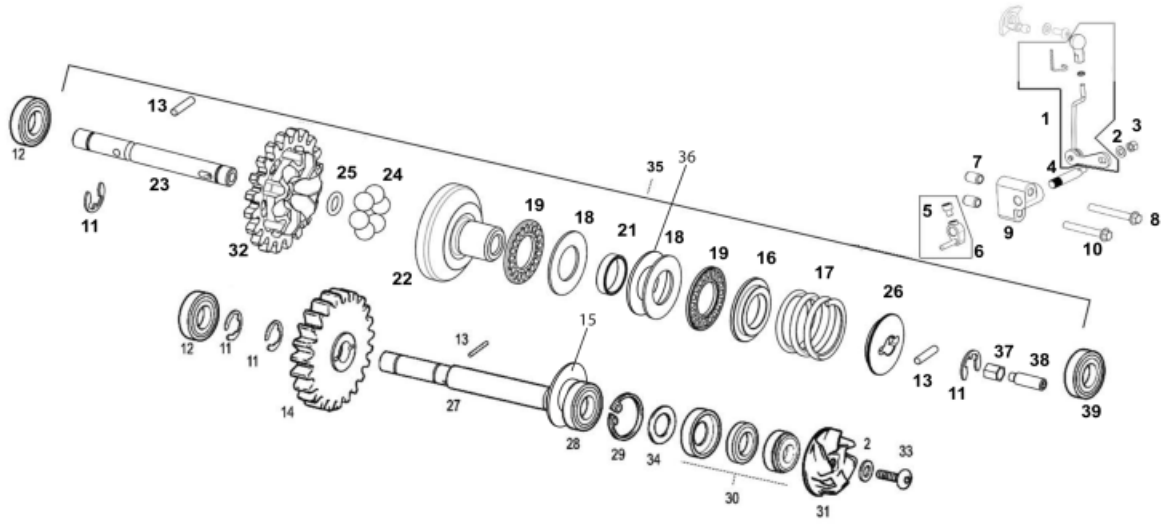
## KICK STARTER



1	<ul style="list-style-type: none"> <li>KICKSTART SPRING</li> <li>0/000.470.9109 (u. 1)</li> </ul>
2	<ul style="list-style-type: none"> <li>INNER KICKSTART GEAR</li> <li>0/005.400.9110 (u. 1)</li> </ul>
3	<ul style="list-style-type: none"> <li>CIRCLIP D.20 DIN 471</li> <li>0/000.300.9105 (u. 1)</li> </ul>
4	<ul style="list-style-type: none"> <li>KICKSTARTER SHAFT</li> <li>0/005.400.9106 (u. 1)</li> </ul>
5	<ul style="list-style-type: none"> <li>END WASHER 27X202X1</li> <li>0/000.440.9109 (u. 1)</li> </ul>
6	<ul style="list-style-type: none"> <li>KICKDRIVE GEAR</li> <li>0/005.400.9105 (u. 1)</li> </ul>
7	<ul style="list-style-type: none"> <li>KICKSTART INNER PINION</li> <li>0/005.400.9108 (u. 1)</li> </ul>
8	<ul style="list-style-type: none"> <li>KICKSTARTER WASHER 40x20,15x1</li> <li>0/000.440.9111 (u. 1)</li> </ul>
9	<ul style="list-style-type: none"> <li>WASHER 241515X08</li> <li>0/000.440.9110 (u. 1)</li> </ul>
10	<ul style="list-style-type: none"> <li>SEEGER D.15 DIN 47</li> <li>0/000.300.9101 (u. 1)</li> </ul>
11	<ul style="list-style-type: none"> <li>KICK START SPRING</li> <li>0/000.470.9110 (u. 1)</li> </ul>
12	<ul style="list-style-type: none"> <li>KICKSTART SPRING BUSHING</li> <li>0/000.480.9125 (u. 1)</li> </ul>
13	<ul style="list-style-type: none"> <li>KICKSTART RATCHET BRACKET</li> <li>0/000.980.9114 (u. 1)</li> </ul>
14	<ul style="list-style-type: none"> <li>HEAD SCREW 5x15 DIN 6921 GEOMET 10.9</li> <li>0/000.460.9115 (u. 2)</li> </ul>
15	<ul style="list-style-type: none"> <li>VISS ESPECIAL 6X11 GEOMET 10.9</li> <li>0/000.460.9134 (u. 1)</li> </ul>
16	<ul style="list-style-type: none"> <li>BUSH PEDAL ARRANQUE EC 2014</li> <li>0/000.480.9126 (u. 1)</li> </ul>

17	<ul style="list-style-type: none"><li>STARTER LEVER MR300 0/005.430.9103 (u. 1)</li></ul>
18	<ul style="list-style-type: none"><li>KICKSTARTER OIL SEAL 20X30X7 0/000.890.9105 (u. 1)</li></ul>

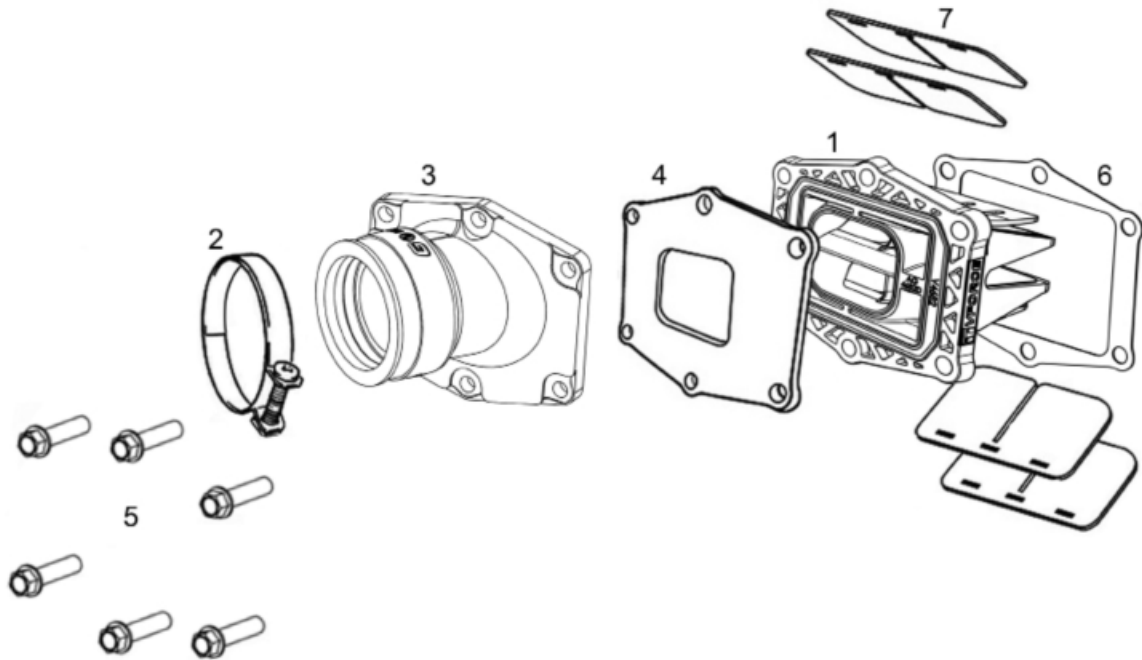
**WATER PUMP**



1	<ul style="list-style-type: none"> <li>● SET PUSHER VALV.EXHAUST COMPLETE EC 2015 0/000.640.9104 (u. 1)</li> </ul>	
2	<ul style="list-style-type: none"> <li>● WASHER 5x12x1.5 DIN 125A ZINC 0/000.440.9121 (u. 2)</li> </ul>	
3	<ul style="list-style-type: none"> <li>● SELFLOCKING NUT M5 DIN-985 ZINC 8 0/000.340.9112 (u. 1)</li> </ul>	
4	<ul style="list-style-type: none"> <li>● AXLE LEVER CENTRIFUGAL 0/000.190.9108 (u. 1)</li> </ul>	
6	<ul style="list-style-type: none"> <li>● SET LEVER CENTRIFUG. EC 0/005.490.9101 (u. 1)</li> </ul>	
7	<ul style="list-style-type: none"> <li>● ENGINE CASE LOCATER BUSHING 0/000.480.9119 (u. 2)</li> </ul>	
8	<ul style="list-style-type: none"> <li>● HEAD SCREW 6x60 DELTA PROTEK 10.9 0/000.460.9128 (u. 1)</li> </ul>	
9	<ul style="list-style-type: none"> <li>● BRACKET AXLE MANDO VALVE EC 2015 0/000.980.9115 (u. 1)</li> </ul>	
10	<ul style="list-style-type: none"> <li>● HEAD SCREW 6x40 GEOMET 10.9 0/000.460.9125 (u. 1)</li> </ul>	
11	<ul style="list-style-type: none"> <li>● SEEGER DIN 6799 E7 0/000.300.9103 (u. 4)</li> </ul>	
12	<ul style="list-style-type: none"> <li>● 508Z BEARING 0/000.960.9108 (u. 2)</li> </ul>	
13	<ul style="list-style-type: none"> <li>● IMPELLER WATER PUMP NEEDLE 3X14 0/000.280.9101 (u. 3)</li> </ul>	
14	<ul style="list-style-type: none"> <li>● WATER PUMP PINION 0/005.400.9111 (u. 1)</li> </ul>	
15	<ul style="list-style-type: none"> <li>● 10X19X05 WASHER 0/000.440.9113 (u. 1)</li> </ul>	
16	<ul style="list-style-type: none"> <li>● CENTRIFUGAL SPRING RETAINER ME59026GG-CEQ-1 (u. 1) - 250cc / 300cc</li> </ul>	<b>OBSOLETE</b>
17	<ul style="list-style-type: none"> <li>● EXHAUST VALVE SPRING 99 ME25916026 (u. 1) - 250cc / 300cc</li> </ul>	
18	<ul style="list-style-type: none"> <li>● BEARING WASHER 0/000.440.9107 (u. 2)</li> </ul>	
19	<ul style="list-style-type: none"> <li>● NEEDLES BEARING AXK 1528 0/000.960.9109 (u. 2)</li> </ul>	

21	<ul style="list-style-type: none"> <li>● SPACER ME25616008 (u. 1)</li> </ul>	
22	<ul style="list-style-type: none"> <li>● CLUCTH OUTER CENTRIFUGAL EC 2015 ME59030GG-CEQ-1 (u. 1)</li> </ul>	<b>OBSOLETE</b>
23	<ul style="list-style-type: none"> <li>● AXLE CENTRIFUGAL EC 2015 ME59015GG-CEQ-1 (u. 1)</li> </ul>	
24	<ul style="list-style-type: none"> <li>● 8mm Clutch Ball Bearing 50cc ME25616033 (u. 6)</li> </ul>	<b>OBSOLETE</b>
25	<ul style="list-style-type: none"> <li>● 6X2 OÆRING ME25616045 (u. 1)</li> </ul>	
26	<ul style="list-style-type: none"> <li>● ARAMOF LA APYO SPRING EC 300 2015 ME59025GG-CEQ-1 (u. 1) - 250cc / 300cc</li> </ul>	<b>OBSOLETE</b>
27	<ul style="list-style-type: none"> <li>● WATER PUMP PINION AXIS 0/000.190.9104 (u. 1)</li> </ul>	
28	<ul style="list-style-type: none"> <li>● BEARING 6000 C3Z=M03313001 0/000.960.9107 (u. 1)</li> </ul>	
29	<ul style="list-style-type: none"> <li>● WATER PUMP SEEGER D.26 0/000.300.9106 (u. 1)</li> </ul>	
30	<ul style="list-style-type: none"> <li>● WATERPUMP SEAL 0/000.890.9104 (u. 1)</li> </ul>	
31	<ul style="list-style-type: none"> <li>● WATER PUMP IMPELLER 0/005.220.9100 (u. 1)</li> </ul>	
32	<ul style="list-style-type: none"> <li>● PINION CENTRIFUGAL EC 300 2015 ME59050GG-CEQ-1 (u. 1)</li> </ul>	
34	<ul style="list-style-type: none"> <li>● SECONDARY WASHER WATERPUMP 25.8x17.5x0.5 0/000.440.9103 (u. 1)</li> </ul>	
35	<ul style="list-style-type: none"> <li>● CENTRIFUGAL COMPLETE EC 200 2019 0/000.640.9102 (u. 1) - 200 CC</li> </ul>	
	<ul style="list-style-type: none"> <li>● CENTRIFUGAL COMPLETE EC 300 2015 0/000.640.9101 (u. 1) - 300 CC</li> </ul>	
36	<ul style="list-style-type: none"> <li>● ARANDELA 15X28X0.8 Y00.25406408 (u. 1)</li> </ul>	<b>OBSOLETE</b>
37	<ul style="list-style-type: none"> <li>● TUERCA HEXAGONAL 6 M5 T2706050 (u. 1)</li> </ul>	<b>OBSOLETE</b>
38	<ul style="list-style-type: none"> <li>● TORNILLO DE AJUSTE HEXA.INT.M5X16 T0325016 (u. 1)</li> </ul>	<b>OBSOLETE</b>
39	<ul style="list-style-type: none"> <li>● BEARING BALL 619/8-ZZ 0/000.960.9105 (u. 1)</li> </ul>	

**REED VALVE**



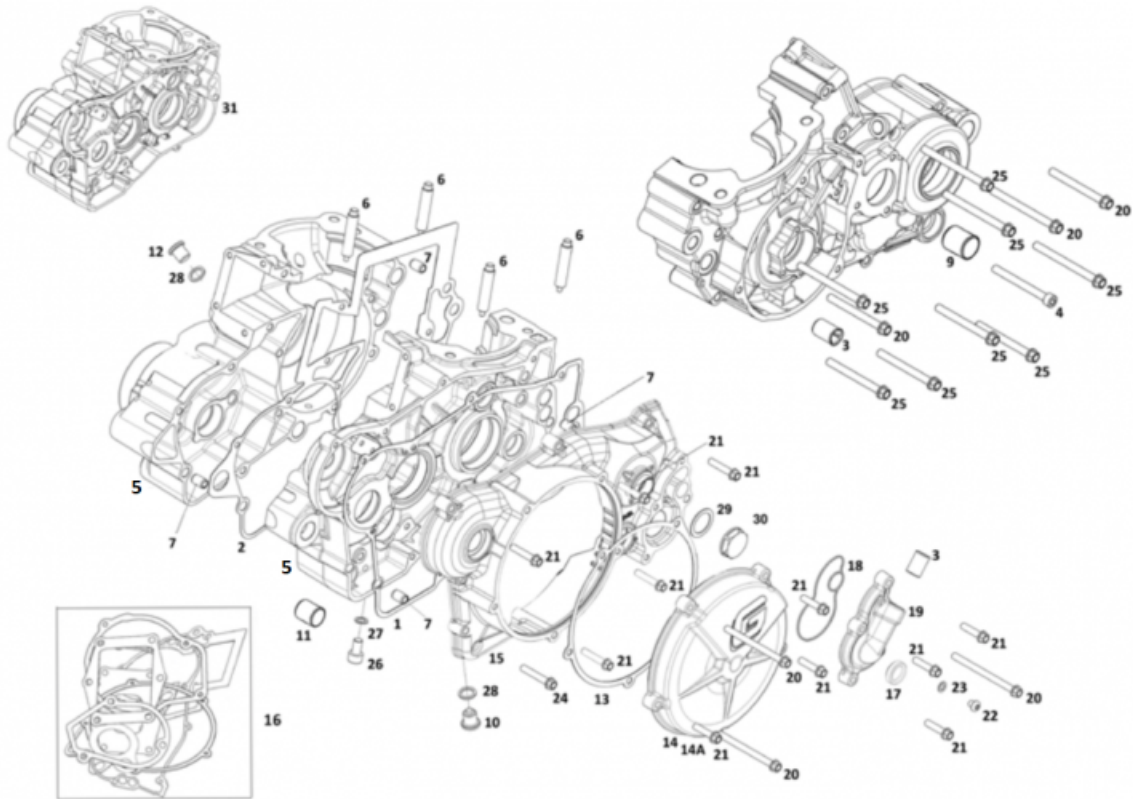
1	<ul style="list-style-type: none"> <li>● CAJA LAMINAS V405D 0/005.600.9102 (u. 1) - CAJA LÁMINAS 2024</li> <li>● REED VALVE ASSEMBLY V-FORCE 4 0/005.600.9100 (u. 1)</li> </ul>	<b>OBSOLETE</b>
2	<ul style="list-style-type: none"> <li>● CLAMP S56/9 W1 ZINC 0/000.680.9109 (u. 1)</li> </ul>	
3	<ul style="list-style-type: none"> <li>● MANIFOLD ADMISION ENDURO 2018 0/000.290.9116 (u. 1)</li> </ul>	
4	<ul style="list-style-type: none"> <li>● SEAL BOX REED VALVES MANIFOLD ENDURO 2018 0/000.490.9114 (u. 1)</li> </ul>	
5	<ul style="list-style-type: none"> <li>● SPECIAL BOLT 6x25 DIN 6921 GEOMET 10.9 0/000.460.9121 (u. 6)</li> </ul>	
6	<ul style="list-style-type: none"> <li>● CRANKCASE REED VALVE GASKET 0/000.490.9120 (u. 1)</li> </ul>	
7	<ul style="list-style-type: none"> <li>● REED VALVE SET ME27000GG-CAB-1 (u. 2)</li> </ul>	



16	<ul style="list-style-type: none"> <li>● SCORPION ME250236036 (u. 1)</li> </ul>	
17	<ul style="list-style-type: none"> <li>● SCORPION CENTRER BUSHING ME250236041 (u. 1)</li> </ul>	
18	<ul style="list-style-type: none"> <li>● SELECTOR SPRING ME25636035 (u. 1)</li> </ul>	
19	<ul style="list-style-type: none"> <li>● GEAR FASTEN SET 0/005.010.9100 (u. 1)</li> </ul>	
20	<ul style="list-style-type: none"> <li>● CHANGE PEDAL MR 2022 0/005.430.9104 (u. 1)</li> </ul>	
21	<ul style="list-style-type: none"> <li>● SEEGER 12X1 0/000.300.9104 (u. 1)</li> </ul>	
22	<ul style="list-style-type: none"> <li>● BOLT 6x20 DIN 6921 GEOMET 10.9 0/000.460.9120 (u. 1)</li> </ul>	<b>OBSOLETE</b>
	<ul style="list-style-type: none"> <li>● TORN.ESP. DIN 6921 Hex.8 TX30 M6x20 Cal.10.9 GEOMET 0/000.460.9181 (u. 1)</li> </ul>	
	<ul style="list-style-type: none"> <li>● TORN.ESP. DIN 6921 Hex.8 TX30 M6x20 Cal.10.9 GEOMET 0/000.460.9181 (u. 1)</li> </ul>	



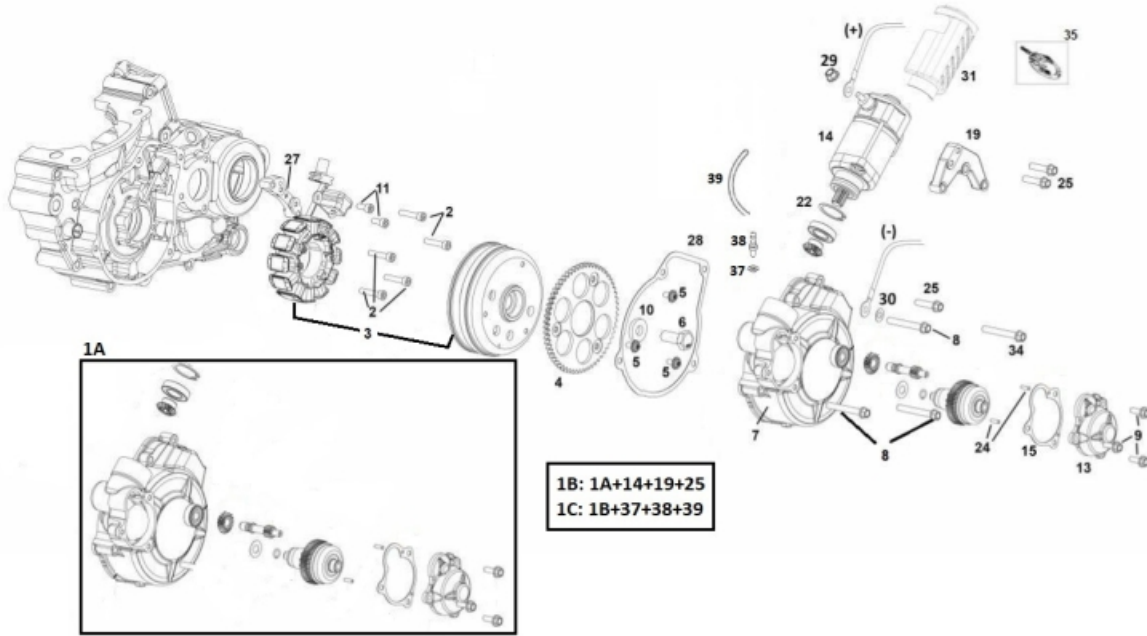
## CARTER



1	<ul style="list-style-type: none"> <li>● CLUTCH COVER GASKET 0,5mm 0/000.490.9108 (u. 1)</li> </ul>
2	<ul style="list-style-type: none"> <li>● GASKET CRANKCASE 2018 0/000.490.9118 (u. 1)</li> </ul>
3	<ul style="list-style-type: none"> <li>● WATER INLET FITTING 0/000.480.9123 (u. 2)</li> </ul>
4	<ul style="list-style-type: none"> <li>● ALLEN BOLT 6x60 DIN 912 ZINC 12.9 0/000.460.9150 (u. 1)</li> </ul>
5	<ul style="list-style-type: none"> <li>● CRANKCASE KIT EC2018 ME10000CT-CLJ-1 (u. 1) - 300 CC</li> <li>● SET CRANKCASE ENDURO 200 2018 ME10000CT-CLP-1 (u. 1) - 200 CC</li> </ul>
6	<ul style="list-style-type: none"> <li>● CYLINDER PIN 0/000.280.9100 (u. 4)</li> </ul>
7	<ul style="list-style-type: none"> <li>● ENGINE CASE LOCATER BUSHING 0/000.480.9119 (u. 4)</li> </ul>
9	<ul style="list-style-type: none"> <li>● BRAKE PEDAL BUSHING 12X15. 0/000.480.9117 (u. 1)</li> </ul>
10	<ul style="list-style-type: none"> <li>● PLUG EMPTY OIL 0/000.410.9104 (u. 1)</li> </ul>
11	<ul style="list-style-type: none"> <li>● BRAKE PEDAL BUSHING 1212PD 0/000.480.9105 (u. 1)</li> </ul>
12	<ul style="list-style-type: none"> <li>● PLUG LOAD OIL 0/000.410.9103 (u. 1)</li> </ul>
13	<ul style="list-style-type: none"> <li>● DISCS COVER GASKET 2014 0/000.490.9104 (u. 1)</li> </ul>
14	<ul style="list-style-type: none"> <li>● COVER DISC CLUTCH GRAY 0/000.350.9105 (u. 1)</li> </ul>

	<ul style="list-style-type: none"> <li>SIGHT GLASS OIL 0/000.410.9106 (u. 1)</li> </ul>
15	<ul style="list-style-type: none"> <li>CASQUILLO ROSCADO TAPON CENTRIFUGO 0/000.980.9131 (u. 1)</li> </ul>
	<ul style="list-style-type: none"> <li>KICKSTARTER OIL SEAL 20X30X7 0/000.890.9105 (u. 1)</li> </ul>
	<ul style="list-style-type: none"> <li>COVER CLUTCH GRAY RAL (9006) 0/000.350.9107 (u. 1)</li> </ul>
	<ul style="list-style-type: none"> <li>SET GASKETS 250-300 EC 2018 ME94610CT-CLJ-1 (u. 1)</li> </ul>
16	<ul style="list-style-type: none"> <li>SET GASKETS 250-300 EC 2018 ME94610CT-CLJ-1 (u. 1)</li> </ul>
17	<ul style="list-style-type: none"> <li>SIGHT GLASS OIL 0/000.410.9106 (u. 1)</li> </ul>
18	<ul style="list-style-type: none"> <li>WATER PUMP COVER GASKET 0/000.490.9115 (u. 1)</li> </ul>
19	<ul style="list-style-type: none"> <li>PUMP COVER WATER 0/000.220.9124 (u. 1)</li> </ul>
20	<ul style="list-style-type: none"> <li>HEAD SCREW 6x75 DELTA PROTEK 12.9 0/000.460.9129 (u. 6)</li> </ul>
21	<ul style="list-style-type: none"> <li>SPECIAL BOLT 6x25 DIN 6921 GEOMET 10.9 0/000.460.9121 (u. 11)</li> </ul>
22	<ul style="list-style-type: none"> <li>SCREW SPECIAL 6X10+WASHER GEOMET 10.9 0/000.460.9133 (u. 1)</li> </ul>
23	<ul style="list-style-type: none"> <li>HEAD BOLT WASHE 6x10x1.5 0/000.440.9122 (u. 1)</li> </ul>
24	<ul style="list-style-type: none"> <li>SPECIAL BOLT 6X35 DIN 6921 GEOMET 0/000.460.9124 (u. 1)</li> </ul>
25	<ul style="list-style-type: none"> <li>HEAD SCREW 6x60 DELTA PROTEK 10.9 0/000.460.9128 (u. 8)</li> </ul>
27	<ul style="list-style-type: none"> <li>COPPER WASHER 8x12x1 DIN 125 A ISO 7089 0/000.440.9128 (u. 1)</li> </ul>
28	<ul style="list-style-type: none"> <li>SPARK PLUG WASHER 12X18X2 0/000.440.9114 (u. 2)</li> </ul>
29	<ul style="list-style-type: none"> <li>O-RING 20 x 1.5 NBR 70 0/000.490.9116 (u. 1)</li> </ul>
30	<ul style="list-style-type: none"> <li>CAP ADJUSTMENT CENTRIFUGAL 0/000.410.9105 (u. 1)</li> </ul>
31	<ul style="list-style-type: none"> <li>CRANKCASE KIT EC2018 ME10000CT-CLJ-1 (u. 1) - 250cc / 300cc</li> </ul>
32	<ul style="list-style-type: none"> <li>ENGINE CASE LOCATER BUSHING 0/000.480.9119 (u. 2)</li> </ul>

**FLYWHEEL - STARTER ENGINE**

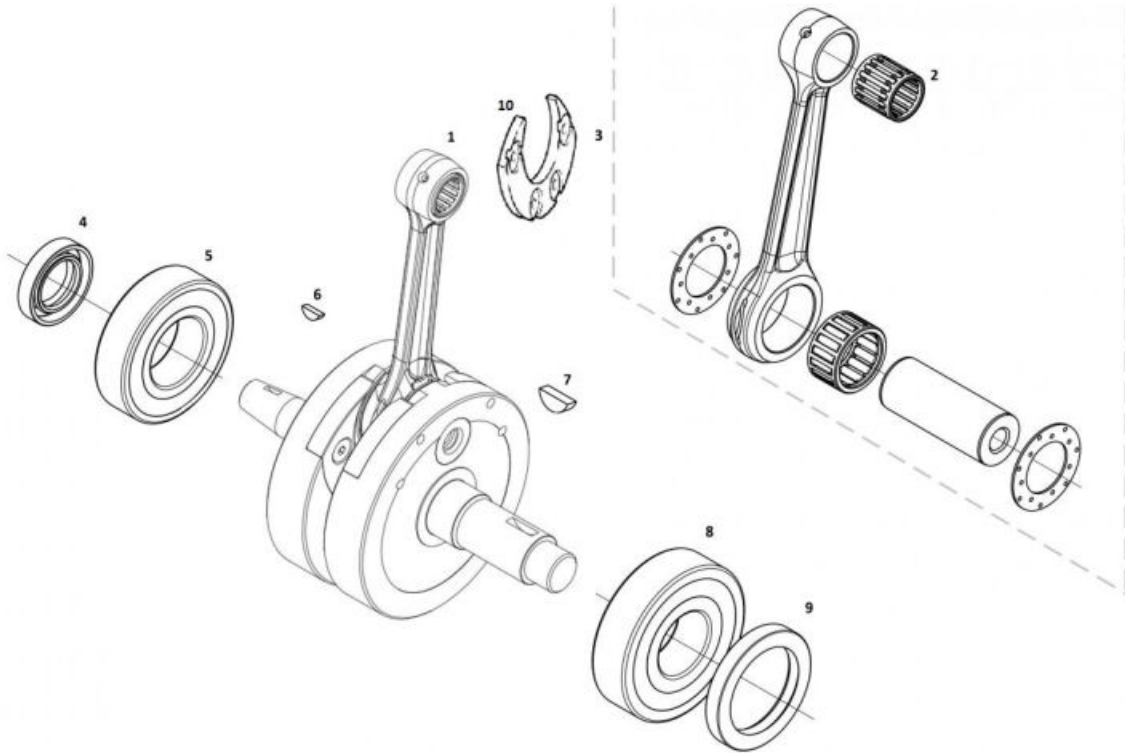


<b>1B</b>	<ul style="list-style-type: none"> <li>ELECTRIC STARTER KIT 2022</li> <li>0/005.480.9102 (u. 1) - WITH STARTER ENGINE</li> </ul>
<b>1A</b>	<ul style="list-style-type: none"> <li>ELECTRIC STARTER KIT 2022 + BENDIX</li> <li>0/005.480.9103 (u. 1) - WITHOUT STARTER ENGINE</li> </ul>
<b>1C</b>	<ul style="list-style-type: none"> <li>ELECTRIC STARTER KIT 2022 + DEVAPORIZER</li> <li>0/K05.480.9102 (u. 1) - WITH STARTER ENGINE</li> </ul>
<b>2</b>	<ul style="list-style-type: none"> <li>ALLEN BOLT 5x25 DIN 912 DRACOMET 8.8</li> <li>0/000.460.9146 (u. 5)</li> </ul>
<b>3</b>	<ul style="list-style-type: none"> <li>SET FLYWHEEL MR 2022</li> <li>0/005.820.9104 (u. 1)</li> </ul>
<b>4</b>	<ul style="list-style-type: none"> <li>ELECTRIC START SPROCKET EC 2015</li> <li>0/005.400.9102 (u. 1)</li> </ul>
<b>5</b>	<ul style="list-style-type: none"> <li>TORX CABEZA ABOM.WASHER 5X8 ISO 7380-2 10.9</li> <li>0/000.460.9154 (u. 3)</li> </ul>
<b>6</b>	<ul style="list-style-type: none"> <li>VISS EXAG. 10x25 GEOMET</li> <li>0/000.460.9112 (u. 1)</li> </ul>
<b>8</b>	<ul style="list-style-type: none"> <li>HEAD SCREW 6x40 GEOMET 10.9</li> <li>0/000.460.9125 (u. 1)</li> </ul>
<b>9</b>	<ul style="list-style-type: none"> <li>HEAD SCREW 5x15 DIN 6921 GEOMET 10.9</li> <li>0/000.460.9115 (u. 3)</li> </ul>
<b>11</b>	<ul style="list-style-type: none"> <li>ALLEN BOLT 5x10 DIN 912 ZINC 12.9</li> <li>0/000.460.9145 (u. 2)</li> </ul>
<b>13</b>	<ul style="list-style-type: none"> <li>COVER BENDIX EC 2015</li> <li>EE80130GG-CBR-2 (u. 1)</li> </ul>
<b>14</b>	<ul style="list-style-type: none"> <li>STARTING-ENGINE.EC 2015 PHI50mm</li> <li>0/005.480.9100 (u. 1)</li> </ul>
<b>15</b>	<ul style="list-style-type: none"> <li>SEAL COVER BENDIX EC 2015</li> <li>EE80135GG-CBR-1 (u. 1)</li> </ul>
<b>19</b>	<ul style="list-style-type: none"> <li>ELECTRIC START ENGINE BRACKET EC 2015</li> <li>0/000.980.9111 (u. 1)</li> </ul>
<b>24</b>	<ul style="list-style-type: none"> <li>NOZZLE DIN5402-3 TYPE BF DIAM-3X9.8 FLAT</li> <li>EE80140GG-CBR-1 (u. 2)</li> </ul>
<b>25</b>	<ul style="list-style-type: none"> <li>SPECIAL BOLT 6x25 DIN 6921 GEOMET 10.9</li> <li>0/000.460.9121 (u. 3)</li> </ul>

27	<ul style="list-style-type: none"> <li>ADAPTOR PULSER HIDRIA EC 2014 V2 0/000.980.9109 (u. 1)</li> </ul>
28	<ul style="list-style-type: none"> <li>GASKET COVER IGNITION 0/000.490.9119 (u. 1)</li> </ul>
29	<ul style="list-style-type: none"> <li>NUT WASHER 6mm DIN 6923 ZINC 8 0/000.340.9116 (u. 1)</li> </ul>
30	<ul style="list-style-type: none"> <li>WASHER 6x12x1.5 DIN 125 ZINC 0/000.440.9124 (u. 1)</li> </ul>
31	<ul style="list-style-type: none"> <li>COVER STARTER ELECTRIC EC 2018 0/000.220.9119 (u. 1)</li> </ul>
32	<ul style="list-style-type: none"> <li>ALLEN BOLT 6X45 DIN 912 ZINC 12.9 0/000.460.9149 (u. 1)</li> </ul>
33	<ul style="list-style-type: none"> <li>6X40 SPECIAL SCREW DIN 912 ZINC 12.9 0/000.460.9148 (u. 1)</li> </ul>
34	<ul style="list-style-type: none"> <li>TORN.ESP. DIN 6921 Hex.8 TX30 M6x50 Fil.20 Cal.10.9 GEOMET 0/000.460.9186 (u. 1)</li> </ul>
	<ul style="list-style-type: none"> <li>TORN.ESP. DIN 6921 Hex.8 TX30 M6x50 Fil.20 Cal.10.9 GEOMET 0/000.460.9186 (u. 1)</li> </ul>
	<ul style="list-style-type: none"> <li>HEAD SCREW 6x50 DIN 6921 GEOMET 10.9 0/000.460.9126 (u. 1)</li> </ul>
35	<ul style="list-style-type: none"> <li>STARTER MOTOR BRUSHES EE80010GG-CBR-1 (u. 1)</li> </ul>
37	<ul style="list-style-type: none"> <li>Fiber Washer, 6X10X1.5 0/000.440.9123 (u. 1)</li> </ul>
38	<ul style="list-style-type: none"> <li>CRANKCASE VENT NIPPLE D.3 0/000.630.9105 (u. 1)</li> </ul>
39	<ul style="list-style-type: none"> <li>TUBO COPOLAN-NBR-NVC Ø5 x Ø9 x 450 0/000.290.9126 (u. 1)</li> </ul>

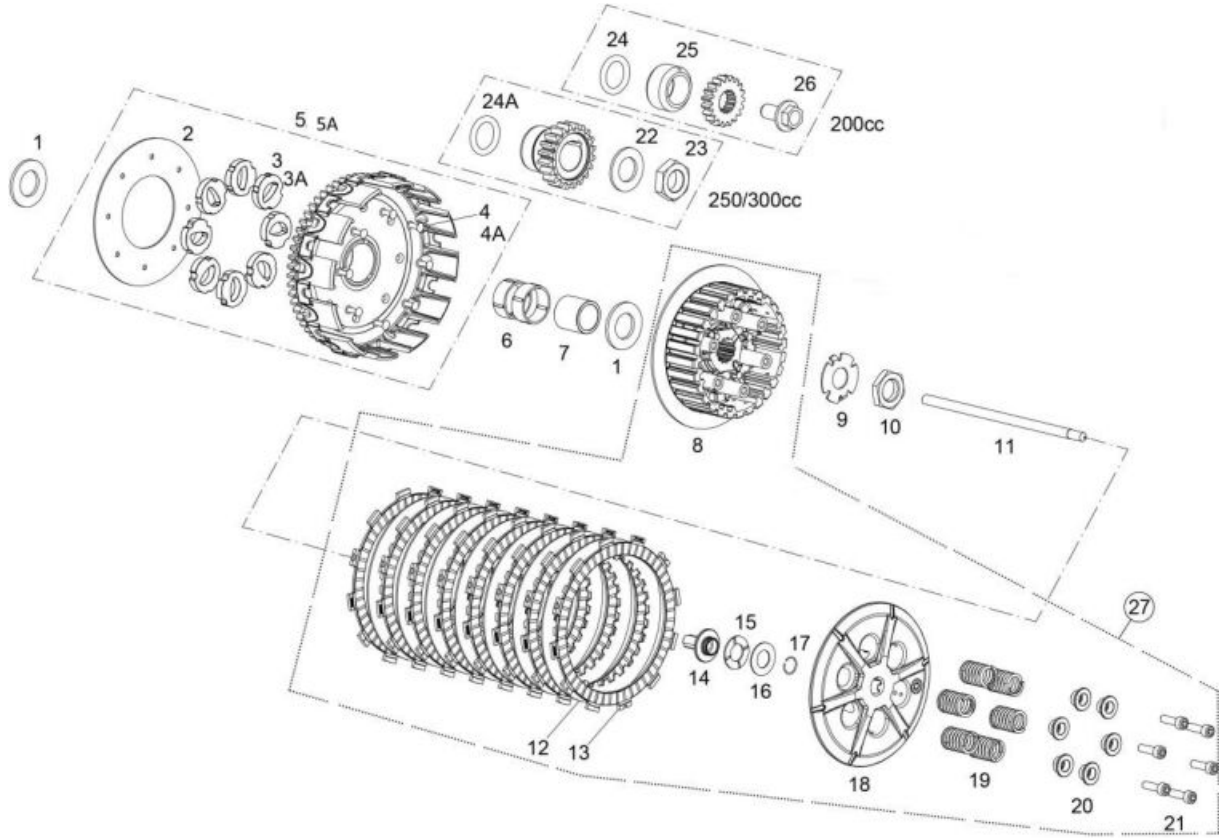
OBSOLETE

## CRANKSHAFT



- |    |   |
|----|---|
| 1  | <ul style="list-style-type: none"> <li>● SET CRANCKSHAFT ENDURO 2018<br/>0/005.380.9100 (u. 1) - 300 CC</li> <li>● CRANCKSHAFT EC200-2014<br/>0/005.380.9102 (u. 1) - 200 CC</li> </ul>         |
|    |   |
| 2  | <ul style="list-style-type: none"> <li>● Piston Pin Bearing Pro<br/>ME25616035 (u. 1)</li> </ul>  |
| 3  | <ul style="list-style-type: none"> <li>● CONECTING ROD ENDURO 250<br/>ME25612100 (u. 1)</li> </ul>  |
| 4  | <ul style="list-style-type: none"> <li>● LEFT SIDE CRANK SHAFT SEAL<br/>0/000.890.9103 (u. 1)</li> </ul>  |
| 5  | <ul style="list-style-type: none"> <li>● BRG. CRANCKSHAFT LEFT 6206- TN9/C4<br/>0/000.960.9115 (u. 1)</li> </ul>  |
| 6  | <ul style="list-style-type: none"> <li>● FLYWHEEL KEY 3x3.7xD10 TXT DIN 6888<br/>0/005.490.9102 (u. 1)</li> </ul>   |
| 7  | <ul style="list-style-type: none"> <li>● CRANKSHAFT KEY (DIAM 16X5X6.5) DIN 6888<br/>0/005.490.9100 (u. 1)</li> </ul>   |
| 8  | <ul style="list-style-type: none"> <li>● BRG. CRANCKSHAFT RIGHT 63/28-HN3/C3 GXN<br/>0/000.960.9116 (u. 1)</li> </ul>   |
| 9  | <ul style="list-style-type: none"> <li>● CRANK SEAL TB2J 38-52 7<br/>0/000.890.9102 (u. 1)</li> </ul>   |
| 10 | <ul style="list-style-type: none"> <li>● COUNTERWEIGHT NYLON EC200<br/>0/005.075.9100 (u. 1) - 200 cc</li> <li>● COUNTERWEIGHT NYLON EC250300<br/>0/005.075.9101 (u. 1) - 250-300 cc</li> </ul> |
|    |   |

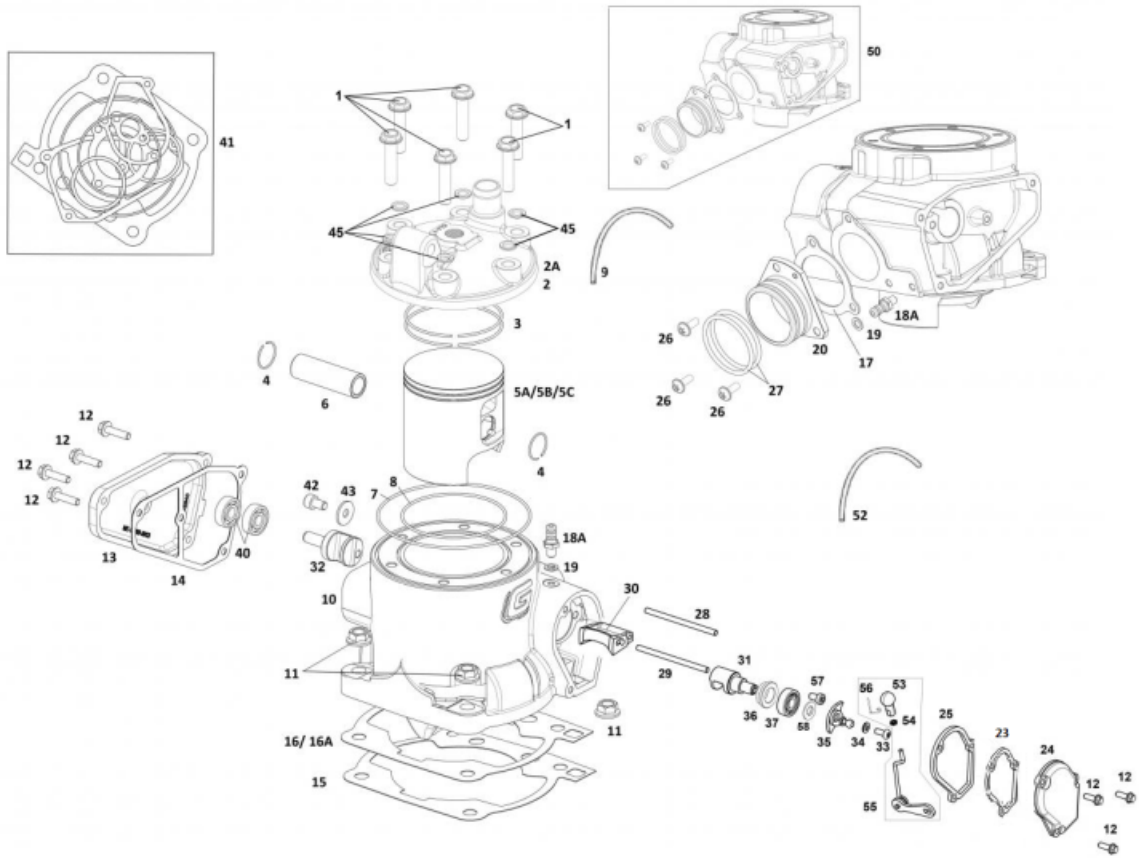
**CLUTCH**



1	<ul style="list-style-type: none"> <li>● CLUTCH 2T BELL WASHER 0/000.440.9106 (u. 2)</li> </ul>	
2	<ul style="list-style-type: none"> <li>● CLUTCH BOSS WASHER ME20932009 (u. 1)</li> </ul>	
3	<ul style="list-style-type: none"> <li>● SILENTBLOCK ME20932008 (u. 8)</li> </ul>	<b>OBSELETE</b>
4	<ul style="list-style-type: none"> <li>● PRIMARY DRIVEN GEAR RIVETS ME250132010 (u. 8)</li> </ul>	
5	<ul style="list-style-type: none"> <li>● COMPLETE CLUTCH BASKE-GEAR EC 0/005.400.9104 (u. 1) - 250 / 300 CC</li> <li>● PRIMARY DRIVEN GEAR SET EC200 0/005.400.9103 (u. 1) - 200 CC</li> </ul>	
6	<ul style="list-style-type: none"> <li>● PRIMARY DRIVEN GEAR BEARING 0/000.980.9113 (u. 2)</li> </ul>	
7	<ul style="list-style-type: none"> <li>● PRIMARY DRIVEN GEAR BUSHING 0/000.480.9121 (u. 1)</li> </ul>	
8	<ul style="list-style-type: none"> <li>● CLUTCH BOSS ENDURO 2018 ME22005GG-CLJ-1 (u. 1)</li> </ul>	
9	<ul style="list-style-type: none"> <li>● CLUTCH LOCK WASHER ENDURO 2018 0/000.440.9104 (u. 1)</li> </ul>	
10	<ul style="list-style-type: none"> <li>● CLUTCH BOSS NUT 0/000.340.9107 (u. 1)</li> </ul>	
11	<ul style="list-style-type: none"> <li>● CLUTCH ROD 0/000.190.9105 (u. 1)</li> </ul>	
12	<ul style="list-style-type: none"> <li>● IRON CLUTCH DISK ME22105GG-CLJ-1 (u. 7)</li> </ul>	
13	<ul style="list-style-type: none"> <li>● COVERED CLUTCH DISK ME22100GG-CLJ-1 (u. 8) - <i>BEST QUALITY</i></li> <li>● COVERED CLUTCH DISK ME25632007 (u. 8)</li> </ul>	

14	<ul style="list-style-type: none"> <li>CLUTCH PRESSURE PLATE BUSHING 0/000.480.9120 (u. 1)</li> </ul>
15	<ul style="list-style-type: none"> <li>NEEDLES BEARING AXK 1528 0/000.960.9109 (u. 1)</li> </ul>
16	<ul style="list-style-type: none"> <li>BEARING WASHER 0/000.440.9107 (u. 1)</li> </ul>
17	<ul style="list-style-type: none"> <li>CLUTCH PRESSURE RING (DIN7993Ø14X1) 0/000.300.9102 (u. 1)</li> </ul>
18	<ul style="list-style-type: none"> <li>PRESSURE PLATE BEARING ME23000GG-CLJ-1 (u. 1)</li> </ul>
19	<ul style="list-style-type: none"> <li>SRPING CLUTCH EC 2018 ME22025GG-CLJ-1 (u. 6)</li> </ul>
20	<ul style="list-style-type: none"> <li>CASQ.MUELLE EMBR. EC-2018 ME22020GG-CLJ-1 (u. 6)</li> </ul>
21	<ul style="list-style-type: none"> <li>Allen Bolt 6x25 (clutch cover) T0306025 (u. 6)</li> </ul>
22	<ul style="list-style-type: none"> <li>WASHER DIN 125 D-20 ZINC 40-42HRC 0/000.440.9108 (u. 1)</li> </ul>
23	<ul style="list-style-type: none"> <li>CRANK SHAFT PINION LOCKING NUT EC 0/000.340.9106 (u. 1)</li> </ul>
24	<ul style="list-style-type: none"> <li>PRIMARY CLUTCH GEAR ORING (Ø23*5 NBR) 0/000.490.9106 (u. 1)</li> </ul>
25	<ul style="list-style-type: none"> <li>CRANK SHAFT BUSHING EC200 0/000.480.9127 (u. 1)</li> </ul>
26	<ul style="list-style-type: none"> <li>SPECIAL SCREW 12X25X125 12.9 GEOMET 0/000.460.9114 (u. 1)</li> </ul>
27	<ul style="list-style-type: none"> <li>SET BASKET CLUTCHENDURO 2018 0/005.350.9100 (u. 1)</li> </ul>

**CYLINDER**



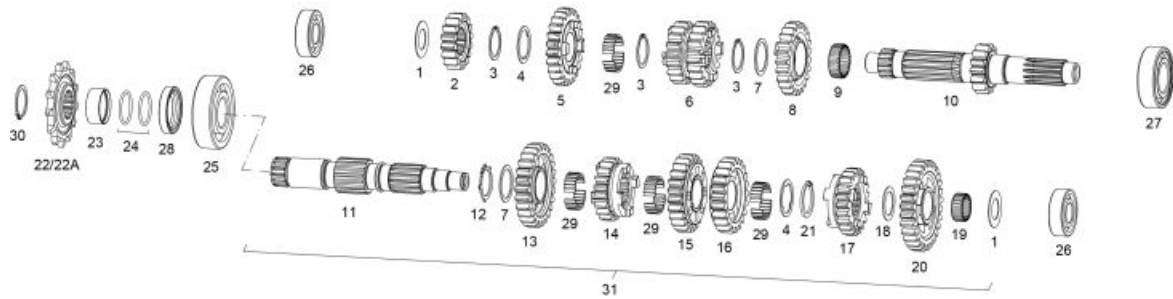
1	<ul style="list-style-type: none"> <li>HEAD SCREW 8x35 DELTA PROTEK 10.9 0/000.460.9130 (u. 6)</li> </ul>
2	<ul style="list-style-type: none"> <li>HEAD CIL. ENDURO 200 2018 0/005.770.9102 (u. 1) - 200 CC</li> <li>CYLINDER HEAD EC 250 2018 0/005.770.9101 (u. 1) - 250 CC</li> <li>CYLINDER HEAD EC/XC 300 0/005.770.9100 (u. 1) - 300 CC</li> </ul>
3	<ul style="list-style-type: none"> <li>PISTON RINGS SET EC250 ME25616040 (u. 1) - 250cc</li> <li>PISTON RINGS SET EC300 ME30916040 (u. 1) - 300cc</li> </ul>
4	<ul style="list-style-type: none"> <li>PISTON PIN CLIPS ME25616126 (u. 2)</li> </ul>
5C	<ul style="list-style-type: none"> <li>C TYPE PISTON EC250 ME25616122R (u. 1) - 250cc</li> <li>PISTON 300CC C ME30916122R (u. 1) - 300cc</li> </ul>
5B	<ul style="list-style-type: none"> <li>B TYPE PISTON EC300 ME300416121 (u. 1) - 300cc</li> <li>B TYPE PISTON EC250 ME25616121R (u. 1) - 250cc</li> </ul>
5A	<ul style="list-style-type: none"> <li>PISTON (A) EC300 ME300416020 (u. 1) - 300cc</li> <li>PISTON (A) EC250 ME25616020R (u. 1) - 250cc</li> </ul>
6	<ul style="list-style-type: none"> <li>PISTON PIN EC250 ME25616125 (u. 1)</li> </ul>



7	<ul style="list-style-type: none"> <li>OUTER CYLINDER HEAD OÆRING 0/000.490.9109 (u. 1)</li> </ul>
8	<ul style="list-style-type: none"> <li>INNER CYLINDER HEAD OÆRING 75.92X1 0/000.490.9111 (u. 1) - 300 CC</li> </ul>
	<ul style="list-style-type: none"> <li>INNER CYLINDER HEAD OÆRING EC200 0/000.490.9110 (u. 1) - 200 CC</li> </ul>
9	<ul style="list-style-type: none"> <li>CARTER BREATH TUBE (55cm) ME25610022 (u. 1)</li> </ul>
9A	<ul style="list-style-type: none"> <li>SET TUBE SVAPORIZADOR BLOW BY ENDURO 2018 0/000.290.9106 (u. 1)</li> </ul>
10	<ul style="list-style-type: none"> <li>KIT CILINDRO COMPLETO ENDURO 300 2018 0/R05.190.9100 (u. 1) - 300 CC</li> </ul>
	<ul style="list-style-type: none"> <li>KIT CILINDRO COMPLETO ENDURO 200 2019 0/R05.190.9102 (u. 1) - 200 CC</li> </ul>
	<ul style="list-style-type: none"> <li>KIT CILINDRO COMPLETO ENDURO 250 2018 0/R05.190.9101 (u. 1) - 250 CC</li> </ul>
11	<ul style="list-style-type: none"> <li>CYLINDER BASE NUT 8.8 10X1.5 ZINC 0/000.340.9105 (u. 4)</li> </ul>
12	<ul style="list-style-type: none"> <li>HEAD SCREW 5x15 DIN 6921 GEOMET 10.9 0/000.460.9115 (u. 7)</li> </ul>
13	<ul style="list-style-type: none"> <li>LEFT VALVE COVER 0/000.350.9104 (u. 1)</li> </ul>
14	<ul style="list-style-type: none"> <li>GASKET LT. VALVE COVER EC 2013 0/000.490.9113 (u. 1)</li> </ul>
15	<ul style="list-style-type: none"> <li>CYLINDER GASKET 015 ME25644010 (u. 1)</li> </ul>
16	<ul style="list-style-type: none"> <li>CYLINDER GASKET EC 0/000.490.9112 (u. 1)</li> </ul>
16A	<ul style="list-style-type: none"> <li>CYLINDER GASKET 03 ME25644009 (u. 1)</li> </ul>
17	<ul style="list-style-type: none"> <li>EXHAUST GASKET ME25644012 (u. 1)</li> </ul>
18A	<ul style="list-style-type: none"> <li>CRANKCASE VENT NIPPLE D.3 0/000.630.9105 (u. 2)</li> </ul>
19	<ul style="list-style-type: none"> <li>Fiber Washer, 6X10X1.5 0/000.440.9123 (u. 2)</li> </ul>
20	<ul style="list-style-type: none"> <li>ALUMINIUM EXHAUST PIPE ME250516019 (u. 1)</li> </ul>
23	<ul style="list-style-type: none"> <li>JUNTA TAPA VALVULA RH MR 0/000.490.9124 (u. 2)</li> </ul>
24	<ul style="list-style-type: none"> <li>RIGHT VALVE COVER EC 0/000.350.9108 (u. 1)</li> </ul>
25	<ul style="list-style-type: none"> <li>SEPARADOR TAPA VALVULA RH MR 0/000.480.9133 (u. 1)</li> </ul>
26	<ul style="list-style-type: none"> <li>TORX ULS SCREW 6X14 T0566014 (u. 3)</li> </ul>
27	<ul style="list-style-type: none"> <li>Exhaust Oring Pampera BE250526006 (u. 2)</li> </ul>
28	<ul style="list-style-type: none"> <li>LONG EXHAUST VALVE AXIS 93MM ME25616027 (u. 1)</li> </ul>
29	<ul style="list-style-type: none"> <li>HORT EXHAUST VALVE AXIS 83MM ME25616017 (u. 1)</li> </ul>
30	<ul style="list-style-type: none"> <li>CENTRAL EXHAUST VALVE ENDURO 250 2018 ME72005GG-CLK-1 (u. 1)</li> </ul>
31	<ul style="list-style-type: none"> <li>RIGHT EXHAUST VALVE ENDURO 250 2018 ME72000GG-CLK-1 (u. 1)</li> </ul>

32	<ul style="list-style-type: none"> <li>LEFT EXHAUST VALVE ENDURO 250 2018 ME72010GG-CLK-1 (u. 1)</li> </ul>	
33	<ul style="list-style-type: none"> <li>SCREW ISO 7380 Allen M5x10 Cal.10.9 Zinc Plated 0/000.460.2000 (u. 1)</li> </ul>	
34	<ul style="list-style-type: none"> <li>WASHER 5x12x1.5 DIN 125A ZINC 0/000.440.9121 (u. 1)</li> </ul>	
35	<ul style="list-style-type: none"> <li>SET LEVER VALV.EXHAUST EC 2015 0/000.640.9103 (u. 1)</li> </ul>	
36	<ul style="list-style-type: none"> <li>EXHAUST VALVE BEARING SPACER ME25616036 (u. 1)</li> </ul>	
37	<ul style="list-style-type: none"> <li>BEARING 6000 C3Z=M03313001 0/000.960.9107 (u. 1)</li> </ul>	
40	<ul style="list-style-type: none"> <li>508Z BEARING 0/000.960.9108 (u. 2)</li> </ul>	
41	<ul style="list-style-type: none"> <li>JOINT CYLINDER CYLINDER HEAD MEETINGS ME94620CT-CAB-1 (u. 1) - 300cc</li> </ul>	
	<ul style="list-style-type: none"> <li>GASKET SET, CYL. AND HEAD. 250cc ME94620CT-BZX-1 (u. 1)</li> </ul>	
42	<ul style="list-style-type: none"> <li>ALLEN 6X10 8.8 BOB. T0306010 (u. 2)</li> </ul>	OBSOLETE
	<ul style="list-style-type: none"> <li>SCREW ALLEN 912 8.8 ZINC 6X10 0/000.460.2009 (u. 2)</li> </ul>	
43	<ul style="list-style-type: none"> <li>WASHER 6x18x1.5 ZINC 0/000.440.9126 (u. 1)</li> </ul>	
44	<ul style="list-style-type: none"> <li>WASHER 6x12x1.5 DIN 125 ZINC 0/000.440.9124 (u. 1)</li> </ul>	
45	<ul style="list-style-type: none"> <li>COOPER WASHER 8.5x16x1.5 DIN 125 A ISO 7090 0/000.440.9130 (u. 6)</li> </ul>	
50	<ul style="list-style-type: none"> <li>KIT CILINDRO COMPLETO ENDURO 300 2018 0/R05.190.9100 (u. 1)</li> </ul>	
	<ul style="list-style-type: none"> <li>KIT CILINDRO COMPLETO ENDURO 250 2018 0/R05.190.9101 (u. 1)</li> </ul>	
51	<ul style="list-style-type: none"> <li>HEAD BOLT WASHE 6x10x1.5 0/000.440.9122 (u. 2)</li> </ul>	
52a	<ul style="list-style-type: none"> <li>SET TUBE SVAPORIZADOR BLOW BY ENDURO 2018 0/000.290.9106 (u. 1)</li> </ul>	
52	<ul style="list-style-type: none"> <li>VALVE TUBE BE733001209 (u. 1)</li> </ul>	
53	<ul style="list-style-type: none"> <li>SET PUSHER VALV.EXHAUST COMPLETE EC 2015 0/000.640.9104 (u. 1)</li> </ul>	
54	<ul style="list-style-type: none"> <li>TUERCA M 3.5X0.6 T2503006 (u. 1)</li> </ul>	OBSOLETE
55	<ul style="list-style-type: none"> <li>SET PUSHER VALV.EXHAUST COMPLETE EC 2015 0/000.640.9104 (u. 1)</li> </ul>	
56	<ul style="list-style-type: none"> <li>CLIP SECURITY BALL-JOINT 0/000.840.9103 (u. 1)</li> </ul>	
58	<ul style="list-style-type: none"> <li>BUSH SEPARADOR BRG. VALV.ESCAPE 0/000.480.9124 (u. 1)</li> </ul>	

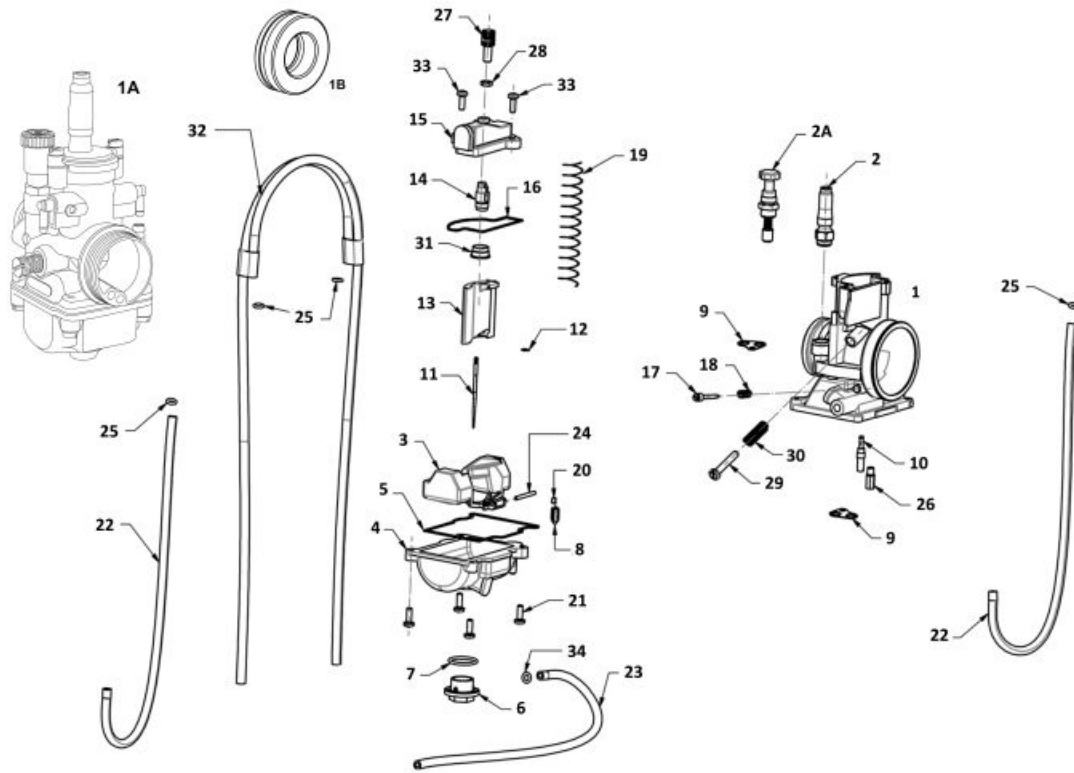
**CHANGE ASSEMBLY**



1	<ul style="list-style-type: none"> <li>SHIFT WASHER 18X315X07 ME25636014 (u. 2)</li> </ul>	
2	<ul style="list-style-type: none"> <li>PRIMARY II PINION ME25636071 (u. 1)</li> </ul>	
3	<ul style="list-style-type: none"> <li>CIRCLIP D.25 DIN 471 0/000.300.9107 (u. 3)</li> </ul>	
4	<ul style="list-style-type: none"> <li>315X(25X22)X1 GROOVING WASHER ME25636091 (u. 2)</li> </ul>	
5	<ul style="list-style-type: none"> <li>PRIMARY VI PINION ME25636074 (u. 1)</li> </ul>	
6	<ul style="list-style-type: none"> <li>PRIMARY III AND IV PINION ME25636072 (u. 1)</li> </ul>	
7	<ul style="list-style-type: none"> <li>252X315X1 GEAR WASHER ME25636017 (u. 2)</li> </ul>	
8	<ul style="list-style-type: none"> <li>PRIMARY V PINION ME25636073 (u. 1)</li> </ul>	
9	<ul style="list-style-type: none"> <li>KICKSTART GEAR BEARING K25-29-10 0/000.960.9104 (u. 1)</li> </ul>	
10	<ul style="list-style-type: none"> <li>AXLE PRIMARY EC 250-2002 ME250236070 (u. 1)</li> </ul>	<b>OBSOLETE</b>
11	<ul style="list-style-type: none"> <li>SECONDARY AXIS ME410002508 (u. 1)</li> </ul>	
12	<ul style="list-style-type: none"> <li>DIN 983 CIRCLIP ME25636095 (u. 1)</li> </ul>	
13	<ul style="list-style-type: none"> <li>PINION SECONDARY II 7-26 ME42211GG-CSK-1 (u. 1)</li> </ul>	
14	<ul style="list-style-type: none"> <li>SECONDARY VI PINION Z-19 ME42215GG-CSK-1 (u. 1)</li> </ul>	
15	<ul style="list-style-type: none"> <li>SECONDARY III PINION ME42212GG-CSK-1 (u. 1)</li> </ul>	
16	<ul style="list-style-type: none"> <li>SECONDARY IV PINION ME42213GG-CSK-1 (u. 1)</li> </ul>	
17	<ul style="list-style-type: none"> <li>SECONDARY V PINION ME42214GG-CSK-1 (u. 1)</li> </ul>	
18	<ul style="list-style-type: none"> <li>208X29X1 GEAR WASHER ME25636016 (u. 1)</li> </ul>	
19	<ul style="list-style-type: none"> <li>K20X24X10 NEEDLES BEARING 0/000.960.9114 (u. 1)</li> </ul>	

20	<ul style="list-style-type: none"> <li>● SECONDARY I PINION ME42210GG-CSK-1 (u. 1)</li> </ul>
21	<ul style="list-style-type: none"> <li>● CIRCLIP D.25 DIN 471 REBAIXAD D.2 SE03025200009 (u. 1)</li> </ul>
22	<ul style="list-style-type: none"> <li>● Z13 EXIT PINION 0/005.400.9112 (u. 1)</li> </ul>
22A	<ul style="list-style-type: none"> <li>● OUTER SPROCKET Z12 0/005.400.9113 (u. 1)</li> </ul>
23	<ul style="list-style-type: none"> <li>● SEAL BUSHING 0/000.260.9100 (u. 1)</li> </ul>
24	<ul style="list-style-type: none"> <li>● SHAFT O'RING 25x2 0/000.490.9107 (u. 2)</li> </ul>
25	<ul style="list-style-type: none"> <li>● SHIFT BEARING 6305 C3 0/000.960.9113 (u. 1)</li> </ul>
26	<ul style="list-style-type: none"> <li>● SHIFT BEARING 6203C3 0/000.960.9112 (u. 2)</li> </ul>
27	<ul style="list-style-type: none"> <li>● SHIFT BEARING 6205ZC3E 0/000.960.9106 (u. 1)</li> </ul>
28	<ul style="list-style-type: none"> <li>● COUNTERSHAFT SEAL 30x40x7 0/000.890.9106 (u. 1)</li> </ul>
29	<ul style="list-style-type: none"> <li>● KD22X25X98 NEEDLES BEARING 0/005.150.9101 (u. 4)</li> </ul>
30	<ul style="list-style-type: none"> <li>● CIRCLIP D.25 DIN 471 0/000.300.9107 (u. 1)</li> </ul>
31	<ul style="list-style-type: none"> <li>● SHIFT GEAR SET 0/005.400.9107 (u. 1)</li> </ul>

**CARBURETOR**

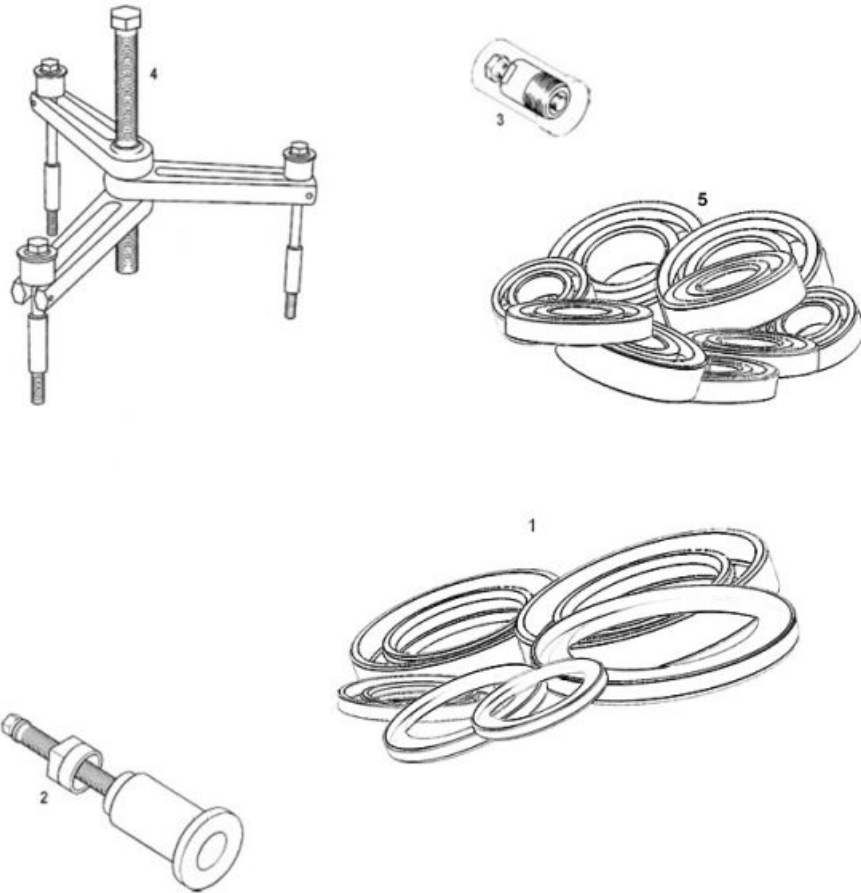


<b>1</b>	<ul style="list-style-type: none"> <li>● KEIHIN CARBURETOR PWKS 36 EC 0/005.155.9101 (u. 1) - 200 CC</li> <li>● KEIHIN PWKS DIAM.38 CARBURETTOR 0/005.155.9100 (u. 1) - 300 CC</li> </ul>
<b>1A</b>	<ul style="list-style-type: none"> <li>● CARBURADOR PHBG 21 DS ENDURO 73/33 CAMPANA 40 0/005.155.9103 (u. 1)</li> </ul>
<b>1B</b>	<ul style="list-style-type: none"> <li>● ADAPTOR CARBURATORLL ORTO ENDURO 2018 0/005.150.9102 (u. 1)</li> </ul>
<b>2A</b>	<ul style="list-style-type: none"> <li>● COLD STARTER KNOB SET ME25690011 (u. 1)</li> </ul>
<b>2</b>	<ul style="list-style-type: none"> <li>● CHOKE KNOB ME25000173012 (u. 1)</li> </ul>
<b>3</b>	<ul style="list-style-type: none"> <li>● BOYA FLOATER 1052-856-2101 ME25000183012 (u. 1)</li> </ul>
<b>4</b>	<ul style="list-style-type: none"> <li>● CUBETA FLOATER 1050-898-2102 ME25000193012 (u. 1)</li> </ul>
<b>5</b>	<ul style="list-style-type: none"> <li>● SEAL CUBETA FLOATER 1051-KZ40-0001 ME25000203012 (u. 1)</li> </ul>
<b>6</b>	<ul style="list-style-type: none"> <li>● FLOAT BODY DRAIN CAP ME25690015 (u. 1)</li> </ul>
<b>8</b>	<ul style="list-style-type: none"> <li>● AGUJA FLOTADOR 1062-814-2103 ME25000213012 (u. 1)</li> </ul>
<b>10</b>	<ul style="list-style-type: none"> <li>● SLOW JET #40 0/005.991.9107 (u. 1)</li> </ul>
<b>10A</b>	<ul style="list-style-type: none"> <li>● CHICLE RALENTI 45 0/005.991.9103 (u. 1)</li> </ul>
<b>10B</b>	<ul style="list-style-type: none"> <li>● SLOW JET #42 (N424-21042) 0/005.991.9105 (u. 1)</li> </ul>
<b>11C</b>	<ul style="list-style-type: none"> <li>● NOZZLE NOZH N427-OZH00 ME120690435 (u. 1)</li> </ul>

11B	<ul style="list-style-type: none"> <li>NEEDLE N1EG ME250290428 (u. 1)</li> </ul>
11	<ul style="list-style-type: none"> <li>KEIHIN N1EF NEEDLE 0/005.150.9100 (u. 1)</li> </ul>
11A	<ul style="list-style-type: none"> <li>NEEDLE N1EE ME250290427 (u. 1)</li> </ul>
12	<ul style="list-style-type: none"> <li>NEEDLE CLIP ME25690021 (u. 1)</li> </ul>
13	<ul style="list-style-type: none"> <li>VALVE N°7 N502-66F00 0/005.150.9103 (u. 1)</li> </ul>
14	<ul style="list-style-type: none"> <li>NEEDLE HOLDER ME25690023 (u. 1)</li> </ul>
15	<ul style="list-style-type: none"> <li>TAP COMP. 1030-A92A-0000 ME25000243012 (u. 1)</li> </ul>
16	<ul style="list-style-type: none"> <li>GASKET O'RING TAP. COMPU. 1202-882-6000 ME25000253012 (u. 1)</li> </ul>
17	<ul style="list-style-type: none"> <li>VISS. REGULATION ME25000263012 (u. 1)</li> </ul>
18	<ul style="list-style-type: none"> <li>MUELLE TORN.REGUL.AIRE 1300-416H-9900 ME25000273012 (u. 1)</li> </ul>
19	<ul style="list-style-type: none"> <li>SPRING VALVE 1290-A53-2000 ME25000283012 (u. 1)</li> </ul>
20	<ul style="list-style-type: none"> <li>FLOAT CLIP ME25690027 (u. 1)</li> </ul>
21	<ul style="list-style-type: none"> <li>TORN.CUBETA 93500-04014-1H ME25000293012 (u. 4)</li> </ul>
22	<ul style="list-style-type: none"> <li>TUBO RESPIRADERO 0803-868-0000 ME25000303012 (u. 2)</li> </ul>
23	<ul style="list-style-type: none"> <li>TUBO RESPIRADERO-2 0803-869-0000 ME25000313012 (u. 1)</li> </ul>
24	<ul style="list-style-type: none"> <li>FLOAT AXLE ME25690033 (u. 1)</li> </ul>
25	<ul style="list-style-type: none"> <li>CLIP ME25690034 (u. 4)</li> </ul>
26	<ul style="list-style-type: none"> <li>MAIN JET #170 0/005.991.9106 (u. 1)</li> <li>MAIN JET #175 (99101-357-1750) 0/005.991.9104 (u. 1)</li> </ul>
27	<ul style="list-style-type: none"> <li>TENSOR CABLE W9581-59250 ME25000323012 (u. 1)</li> </ul>
28	<ul style="list-style-type: none"> <li>NUT TENSOR CABLE 1793-130H-9900 ME25000333012 (u. 1)</li> </ul>
29	<ul style="list-style-type: none"> <li>SLOW JET ADJUSTING BOLT ME25690038 (u. 1)</li> </ul>
30	<ul style="list-style-type: none"> <li>ADJUSTING BOLT SPRING ME25690039 (u. 1)</li> </ul>
31	<ul style="list-style-type: none"> <li>CARBURETOR COVER SPRING BUSHING ME25690040 (u. 1)</li> </ul>
32	<ul style="list-style-type: none"> <li>TUBE VENTILACIÒN 0803-862-0100 ME25000343012 (u. 1)</li> </ul>
33	<ul style="list-style-type: none"> <li>VISS. TAP COMP. ME25000353012 (u. 2)</li> </ul>
34	<ul style="list-style-type: none"> <li>CLIP TUBO RESPIRADERO-2 W9535-25000 ME25000363012 (u. 1)</li> </ul>
35	<ul style="list-style-type: none"> <li>STOP THROTTLE CABLE ME250690010 (u. 1)</li> </ul>

OBSOLETE

**ENGINE TOOLS**



1	<ul style="list-style-type: none"> <li>● SET SEAL EC 250-300 ME906002510 (u. 1)</li> </ul>	
2	<ul style="list-style-type: none"> <li>● EXTRACTOR COJINETE CIGUEÑAL ME25950000 (u. 1)</li> </ul>	<b>OBSOLETE</b>
3	<ul style="list-style-type: none"> <li>● Flywheel Puller Pro MT280234045 (u. 1)</li> </ul>	
4	<ul style="list-style-type: none"> <li>● EXTRACTOR CARTER ME25950005 (u. 1)</li> </ul>	<b>OBSOLETE</b>
5	<ul style="list-style-type: none"> <li>● KIT COJINETES MOTOR EC 250 300 2018 ME90500CT-CLJ-1 (u. 1)</li> </ul>	