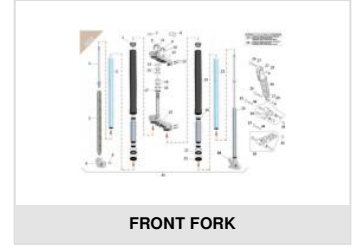
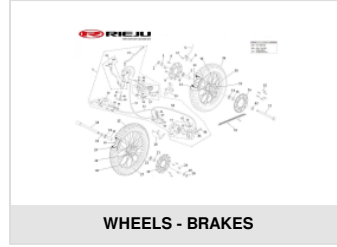
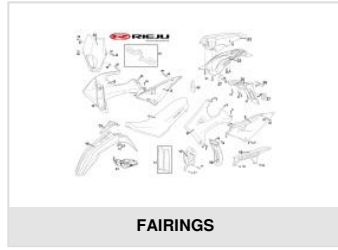
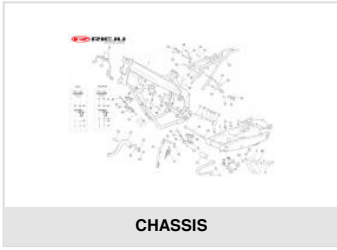


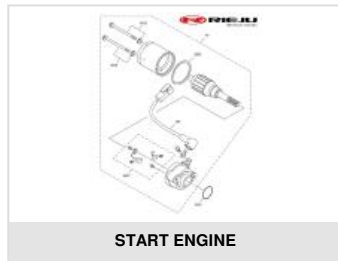
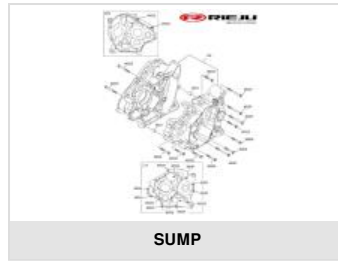
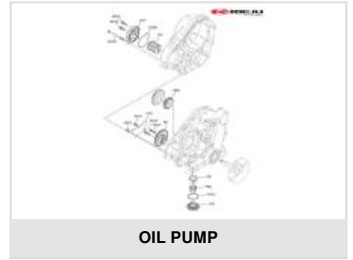
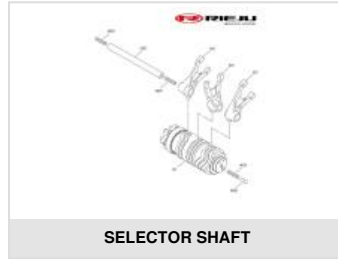


# MR 125 PRO ENDURO E5 BLACK 2024

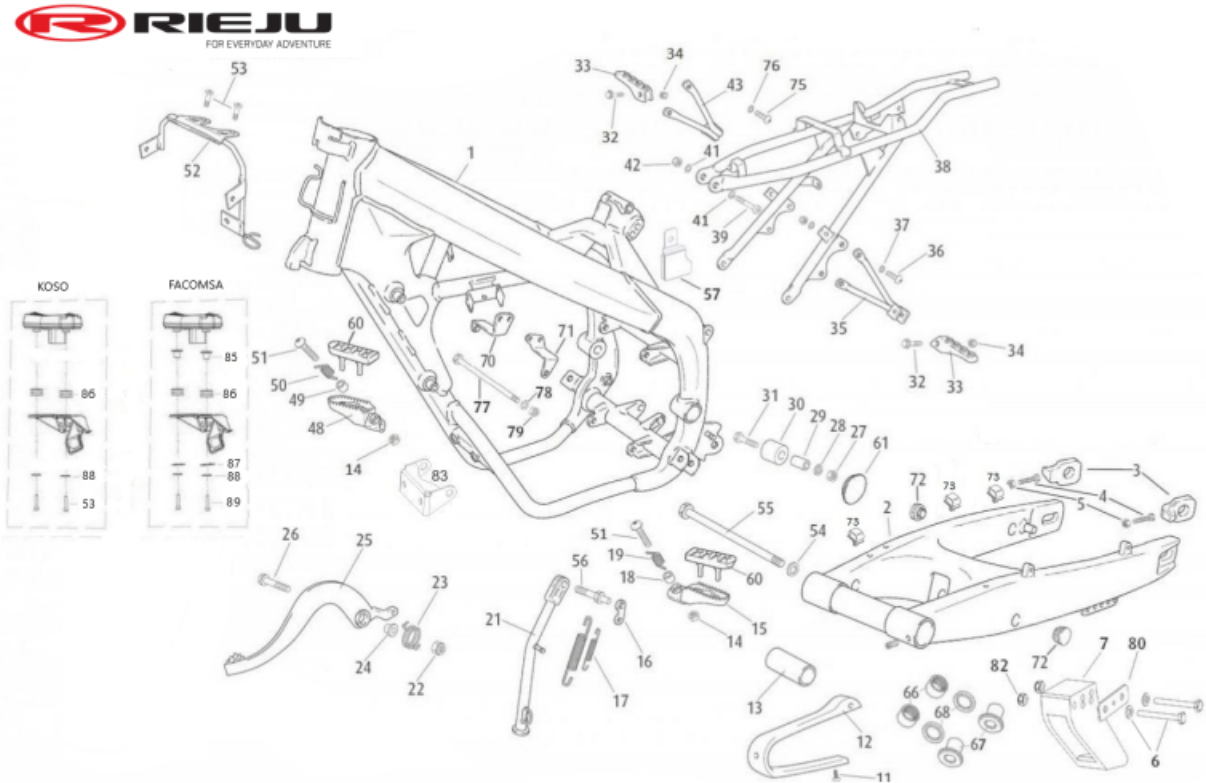
## Exploded



WR125 E5



**CHASSIS**

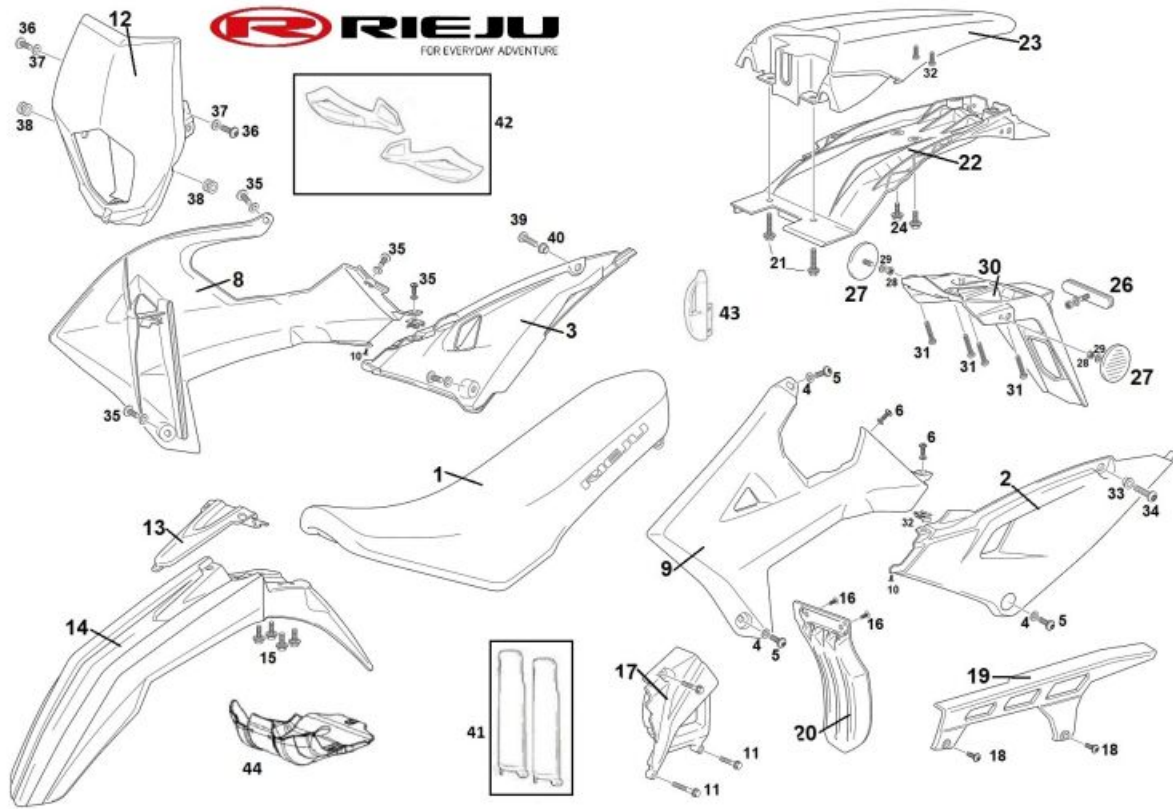


1	<ul style="list-style-type: none"> <li>● CHASIS MRT 125 PRO EURO5 0/000.010.5015 (u. 1)</li> </ul>
2	<ul style="list-style-type: none"> <li>● BASCULANTE ALUMINIO MRT v.2 0/000.020.5219 (u. 1)</li> <li>● TAPON BASCULANTE ALUMINIO v.2 NEGRO 0/000.410.5008 (u. 4)</li> </ul>
3	<ul style="list-style-type: none"> <li>● WHEEL TENSOR 0/000.380.5212 (u. 2)</li> </ul>
4	<ul style="list-style-type: none"> <li>● WHEEL TENSOR BOLT 0/000.460.0636 (u. 2)</li> </ul>
5	<ul style="list-style-type: none"> <li>● WHEEL TENSOR NUT 0/000.340.0140 (u. 2)</li> </ul>
6	<ul style="list-style-type: none"> <li>● TORNILLO ISO 7380 Torx T-30 con arandela M6x50 INOX 0/000.460.0040 (u. 2)</li> </ul>
7	<ul style="list-style-type: none"> <li>● RED CHAIN GUIDE 2018 0/000.710.0303 (u. 1)</li> </ul>
11	<ul style="list-style-type: none"> <li>● CHAIN SLIDER PLATE THREAD SCREW 0/000.460.0745 (u. 2)</li> </ul>
12	<ul style="list-style-type: none"> <li>● RUBBER SKATE CHAIN MRX/SMX 0/000.360.5001 (u. 1)</li> </ul>
13	<ul style="list-style-type: none"> <li>● SWING ARM SHAFT GUIDE BUSHING 0/000.480.5037 (u. 1)</li> </ul>
14	<ul style="list-style-type: none"> <li>● SHOCK ABSORBER BOLT NUT 0/000.340.0182 (u. 2)</li> </ul>
15	<ul style="list-style-type: none"> <li>● LEFT-HAND RIDER FOOTREST 0/000.740.0310 (u. 1)</li> </ul>
16	<ul style="list-style-type: none"> <li>● PADDOCK STAND BOLT PIN 0/000.980.5102 (u. 1)</li> </ul>
17	<ul style="list-style-type: none"> <li>● STAND SPRING TANGO 0/000.470.8000 (u. 1)</li> </ul>

18	<ul style="list-style-type: none"> <li>INNER RIGHT-HAND RIDER FOOTREST BUSHING 0/000.480.0215 (u. 1)</li> </ul>
19	<ul style="list-style-type: none"> <li>INNER FOOTREST SPRING 0/000.470.5002 (u. 1)</li> </ul>
21	<ul style="list-style-type: none"> <li>SIDESTAND TANGO 0/000.210.8000 (u. 1)</li> </ul>
22	<ul style="list-style-type: none"> <li>SILENTBLOC ATTACHMENT NUT 0/000.340.0181 (u. 1)</li> </ul>
23	<ul style="list-style-type: none"> <li>BRAKE LEVER SPRING 0/000.470.5011 (u. 1)</li> </ul>
24	<ul style="list-style-type: none"> <li>INNER BRAKE LEVER BUSHING 0/000.260.5001 (u. 1)</li> </ul>
25	<ul style="list-style-type: none"> <li>REAR BRAKE PEDAL 0/000.730.6002 (u. 1)</li> </ul>
26	<ul style="list-style-type: none"> <li>TORNILLO DIN 6921 M8x60 Cal.8.8 Z/BLANCO 0/000.460.0493 (u. 1)</li> </ul>
27	<ul style="list-style-type: none"> <li>SILENTBLOC ATTACHMENT NUT 0/000.340.0181 (u. 1)</li> </ul>
28	<ul style="list-style-type: none"> <li>ROLLER WASHER 0/000.440.0161 (u. 1)</li> </ul>
29	<ul style="list-style-type: none"> <li>CHAIN ROLLER INNER BUSHING 0/000.480.0645 (u. 1)</li> </ul>
30	<ul style="list-style-type: none"> <li>RUBBER ROLLER CHAIN GUIDE 0/000.360.0792 (u. 1)</li> </ul>
31	<ul style="list-style-type: none"> <li>CHAIN ROLLER ATTACHMENT BOLT 0/000.460.0673 (u. 1)</li> </ul>
32	<ul style="list-style-type: none"> <li>SCREW DIN 6921 M6X35 0/000.460.0622 (u. 2)</li> </ul>
33	<ul style="list-style-type: none"> <li>PASSENGER FOOTREST (IRON) 0/000.740.0330 (u. 2)</li> </ul>
34	<ul style="list-style-type: none"> <li>PASSENGER FOOTREST NUT 0/000.340.0170 (u. 2)</li> </ul>
35	<ul style="list-style-type: none"> <li>PASSENGER LH FOOTREST SUPPORT 0/000.980.5108 (u. 1)</li> </ul>
36	<ul style="list-style-type: none"> <li>DRIVE PLATE BOLT 0/000.460.0670 (u. 2)</li> </ul>
37	<ul style="list-style-type: none"> <li>SILENTBLOC ATTACHMENT NUT 0/000.340.0181 (u. 2)</li> </ul>
38	<ul style="list-style-type: none"> <li>SUBCHASSIS MRT EURO5 CON REMACHES 0/K00.010.5017 (u. 1)</li> </ul>
39	<ul style="list-style-type: none"> <li>SCREW TORNILLO DIN 912 Allen M10x80 Cal.8.8 ZINC PLATED 0/000.460.6215 (u. 1)</li> </ul>
41	<ul style="list-style-type: none"> <li>REAR CHASSIS ATTACHMENT WASHER 0/000.440.0160 (u. 2)</li> </ul>
42	<ul style="list-style-type: none"> <li>REAR CHASSIS ATTACHMENT NUT 0/000.340.0187 (u. 1)</li> </ul>
43	<ul style="list-style-type: none"> <li>SOPORTE ESTRIBERA RH MRT v.2 0/000.980.5125 (u. 1)</li> </ul>
48	<ul style="list-style-type: none"> <li>RIGHT-HAND RIDER FOOTREST 0/000.740.0300 (u. 1)</li> </ul>
49	<ul style="list-style-type: none"> <li>INNER RIGHT-HAND RIDER FOOTREST BUSHING 0/000.480.0215 (u. 1)</li> </ul>
50	<ul style="list-style-type: none"> <li>RIDER FOOTREST SPRING 0/000.470.5001 (u. 1)</li> </ul>
51	<ul style="list-style-type: none"> <li>RIDER FOOTREST BOLT 0/000.460.5100 (u. 2)</li> </ul>

52	<ul style="list-style-type: none"> <li>● SOPORTE FARO Y CTAKMS EVEREST MRT PRO R16V 0/000.980.5037F (u. 1)</li> </ul>
53	<ul style="list-style-type: none"> <li>● TORNILLO ISO 7380 Torx T-25 con arandela M5x16 INOX 0/000.460.0083 (u. 4)</li> </ul>
54	<ul style="list-style-type: none"> <li>● SWING ARM SHAFT WASHER 0/000.440.0123 (u. 1)</li> </ul>
55	<ul style="list-style-type: none"> <li>● SWING ARM AXLE TANGO 0/000.190.8001 (u. 1)</li> </ul>
56	<ul style="list-style-type: none"> <li>● PADDOCK STAND SPECIAL BOLT 0/000.460.8000 (u. 1)</li> </ul>
57	<ul style="list-style-type: none"> <li>● KIT SOPORTE LATIGUILLOS MARATHON 125 EURO 4 0/K00.220.5000 (u. 1)</li> </ul>
61	<ul style="list-style-type: none"> <li>● PLASTIC STOPPER 0/000.410.0361 (u. 1)</li> </ul>
66	<ul style="list-style-type: none"> <li>● NEEDLE ROLLER BEARING HK2220 0/000.960.0511 (u. 2)</li> </ul>
67	<ul style="list-style-type: none"> <li>● TILTED SEPARATOR 0/000.260.5002 (u. 2)</li> </ul>
68	<ul style="list-style-type: none"> <li>● SEAL BEARING 0/000.890.5004 (u. 2)</li> </ul>
70	<ul style="list-style-type: none"> <li>● SOPORTE CULATA RH MRT 125 PRO E5 0/000.980.5118 (u. 1)</li> </ul>
71	<ul style="list-style-type: none"> <li>● SOPORTE CULATA LH MRT 125 PRO E5 0/000.980.5119 (u. 1)</li> </ul>
72	<ul style="list-style-type: none"> <li>● SWING ARM MRT PRO CAP 0/000.410.0360 (u. 6)</li> </ul>
73	<ul style="list-style-type: none"> <li>● GRAPA FIJ. CABLES BASCULANTE MRT PRO 0/000.630.5002 (u. 1)</li> </ul>
75	<ul style="list-style-type: none"> <li>● SCREW DIN 6921 M8x30 Cal.8.8 ZINC PLATED 0/000.460.0671 (u. 1)</li> </ul>
76	<ul style="list-style-type: none"> <li>● SEPARATOR 0/000.480.5018 (u. 1)</li> </ul>
77	<ul style="list-style-type: none"> <li>● FIXING SCREW FOR INTERIOR MOUNTING PLATE 118X65 0/000.460.0492 (u. 1)</li> </ul>
78	<ul style="list-style-type: none"> <li>● SEPARATOR 0/000.480.5018 (u. 1)</li> </ul>
79	<ul style="list-style-type: none"> <li>● (5 UNIT BAG) NUT DIN 6926 M10 Cal.8 Z / WHITE 0/000.340.0182B (u. 1)</li> </ul>
80	<ul style="list-style-type: none"> <li>● MARATHON 125 PRO E4 CHAIN SLIDER BRACKET 0/000.980.6026 (u. 1)</li> </ul>
82	<ul style="list-style-type: none"> <li>● AUTOBLOC NUT M6/DIN 985/JS500 0/000.340.0169 (u. 2)</li> </ul>
83	<ul style="list-style-type: none"> <li>● MOTOR SUPPORT MRT 125 PRO 0/000.980.6116 (u. 1)</li> </ul>
85	<ul style="list-style-type: none"> <li>● CASQUILLO Ø7x1,5x9,5 0/000.480.5064 (u. 2)</li> </ul>
86	<ul style="list-style-type: none"> <li>● GOMA SOPORTE FARO 0/000.360.0491 (u. 2)</li> </ul>
87	<ul style="list-style-type: none"> <li>● WASHER DIN 9021 M4 0/000.440.0021 (u. 2)</li> </ul>
88	<ul style="list-style-type: none"> <li>● ARANDELA SCHNORR M4 INOX 0/000.440.0043 (u. 2)</li> </ul>
89	<ul style="list-style-type: none"> <li>● SCREW DIN 912 Allen M4x16 Cal.8.8 Z/BLANCO 0/000.460.0204 (u. 2)</li> </ul>

**FAIRINGS**

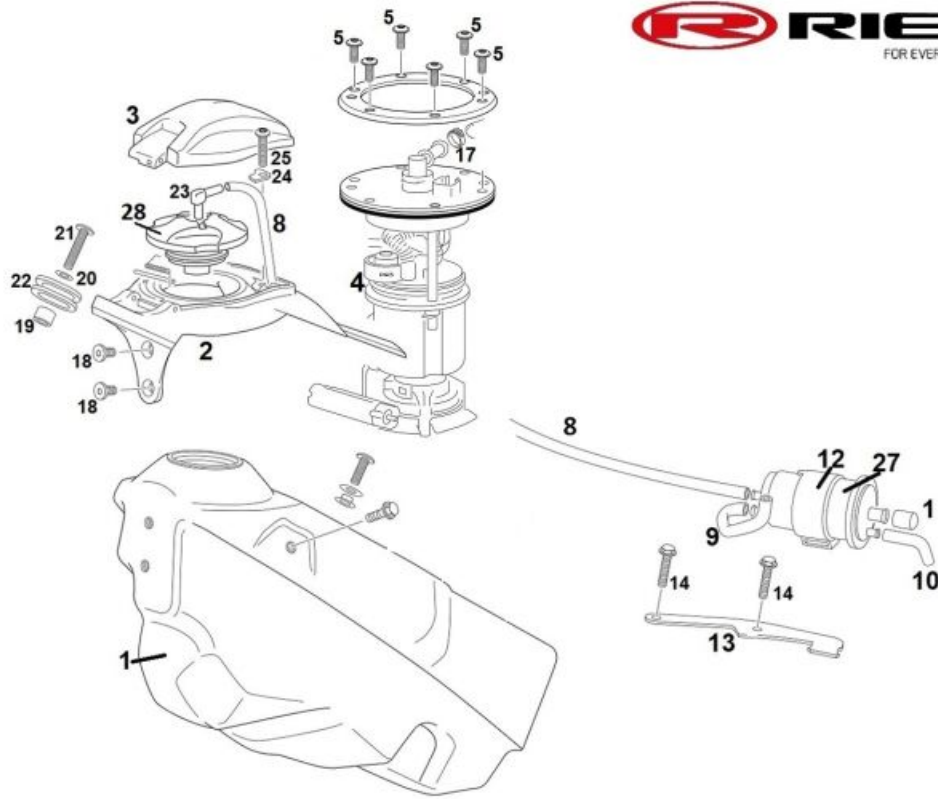


1	<ul style="list-style-type: none"> <li>SILLIN MR 125 PRO 2023 0/000.040.6005 (u. 1)</li> </ul>
2	<ul style="list-style-type: none"> <li>TAPA LATERAL IZQ NEGRO INY MRT 2021 0/000.570.5413 (u. 1) - <i>W/O STICKER</i></li> </ul>
3	<ul style="list-style-type: none"> <li>TAPA LATERAL DCHA NEGRO INY MRT 2021 0/000.570.5412 (u. 1) - <i>W/O STICKER</i></li> </ul>
8	<ul style="list-style-type: none"> <li>TAPA RADIADOR DCHA NEGRO INY MRT 2021 0/000.570.5410 (u. 1) - <i>W/O STICKER</i></li> </ul>
9	<ul style="list-style-type: none"> <li>TAPA RADIADOR IZQ NEGRO INY MRT 2021 0/000.570.5411 (u. 1) - <i>W/O STICKER</i></li> </ul>
12	<ul style="list-style-type: none"> <li>PORTAFAROS S/OPTICA NEGRO INY MRT 2021 0/000.620.5120 (u. 1) - <i>W/O STICKER</i></li> </ul>
13	<ul style="list-style-type: none"> <li>FRONT MUDGUARD SUPPORT PLATE 0/000.620.5302 (u. 1)</li> </ul>
14	<ul style="list-style-type: none"> <li>MUDGUARD FRONT BLACK MRT 2011 0/000.050.5195 (u. 1) - <i>W/O STICKER</i></li> </ul>
17	<ul style="list-style-type: none"> <li>PROTECTOR PIÑON MOTOR NEGRO 2021 0/000.220.5018 (u. 1)</li> </ul>
19	<ul style="list-style-type: none"> <li>CHAIN GUARD 0/000.200.0400 (u. 1)</li> </ul>
20	<ul style="list-style-type: none"> <li>SHOCK ABSORBER PROTECTOR PLASTIC 0/000.200.8000 (u. 1)</li> </ul>
22	<ul style="list-style-type: none"> <li>GUARDABARROS TRASERO PORTA MATRICULAS MRT 2021 0/000.060.5301 (u. 1)</li> </ul>
23	<ul style="list-style-type: none"> <li>GUARDABARROS TRASERO NEGRO INY MRT 2021 0/000.060.5300 (u. 1) - <i>W/O STICKER</i></li> </ul>
26	<ul style="list-style-type: none"> <li>TAILPIECE REAR MUDGUARD REFLECTOR 0/000.630.0551 (u. 1)</li> </ul>
27	<ul style="list-style-type: none"> <li>REAR REFLECTOR (ROUND) 0/000.630.0530 (u. 2)</li> </ul>

30	<ul style="list-style-type: none"> <li>● PORTA MATRICULAS HOMOLOGADO MRT 2021 0/000.060.5302 (u. 1)</li> </ul>
41	<ul style="list-style-type: none"> <li>● PROTECTOR FORK PRO BLACK 0/000.220.4000 (u. 1) - <i>W/O STICKER</i></li> </ul>
42	<ul style="list-style-type: none"> <li>● BLACK PROTECTOR HANDS 0/000.770.5703 (u. 1)</li> </ul>
43	<ul style="list-style-type: none"> <li>● PROTECTIVE PUMP BACK BRAKE 0/000.220.5100 (u. 1)</li> </ul>
44	<ul style="list-style-type: none"> <li>● CUBRECARTER MRT 125i PRO E5 v.2 0/000.220.6009 (u. 1)</li> </ul>
	<ul style="list-style-type: none"> <li>● KIT CUBRECARTER MRT 125i PRO E5 v.2 CON ESPUMA 0/K00.220.6009 (u. 1)</li> </ul>



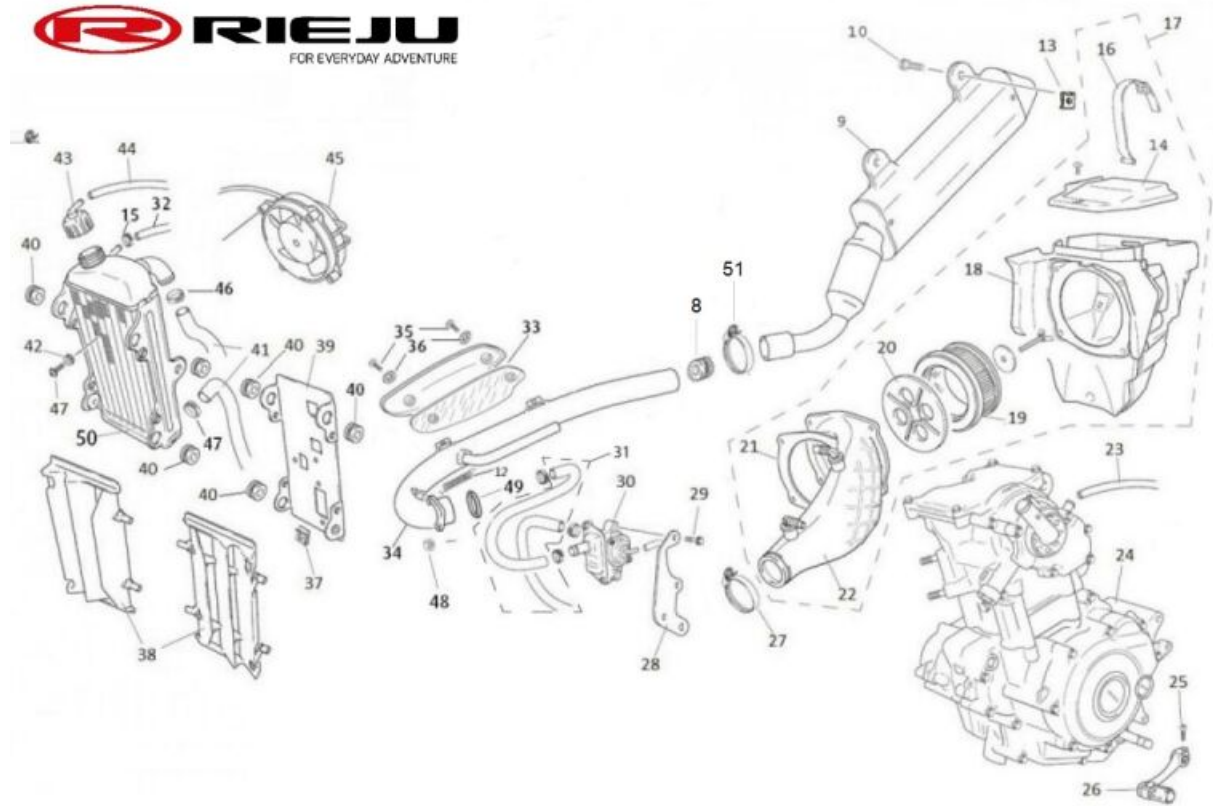
TANK



1	<ul style="list-style-type: none"> <li>● DEPOSITO GASOLINA MRT 125 E5 2021 0/000.030.6001 (u. 1)</li> </ul>
2	<ul style="list-style-type: none"> <li>● CUBRE DEPOSITO GASOLINA MRT 2021 0/000.570.5409 (u. 1)</li> </ul>
3	<ul style="list-style-type: none"> <li>● TAPON CUBRE DEPOSITO GASOLINA MRT 2021 0/000.410.5005 (u. 1)</li> </ul>
4	<ul style="list-style-type: none"> <li>● FUEL PUMP MRT 125 E5 0/000.860.6000 (u. 1)</li> </ul>
5	<ul style="list-style-type: none"> <li>● TORNILLO ISO 7380 Torx T-25 con arandela M5x16 INOX 0/000.460.0083 (u. 6)</li> </ul>
8	<ul style="list-style-type: none"> <li>● TUBO NBR Ø5,5xØ9,5-Ø8xØ4x665 TAPON GASOLINA A CANISTER 0/000.290.6034 (u. 1)</li> </ul>
9	<ul style="list-style-type: none"> <li>● TUBO CANISTER A CUERPO GAS MRT 125i E5 MN 0/000.290.6033 (u. 1)</li> </ul>
10	<ul style="list-style-type: none"> <li>● TUBO L DRAIN CANISTER MRT v.2 0/000.290.5093 (u. 1)</li> </ul>
11	<ul style="list-style-type: none"> <li>● TAPON AIR CANISTER MRT v.2 0/000.410.5006 (u. 1)</li> </ul>
12	<ul style="list-style-type: none"> <li>● RUBBER SUPPORT CANISTER CENTURY V.2 0/000.360.4018 (u. 1)</li> </ul>
13	<ul style="list-style-type: none"> <li>● SOPORTE CANISTER MR 125i Z/BLANCO 0/000.980.6122 (u. 1)</li> </ul>
17	<ul style="list-style-type: none"> <li>● ABRAZADERA COBRA Ø13/8 W4 0/000.680.0564 (u. 1)</li> </ul>
18	<ul style="list-style-type: none"> <li>● TORNILLO DIN 7991 Allen M6x12 Cal.10.9 Z/BLANCO 0/000.460.0095 (u. 1)</li> </ul>
19	<ul style="list-style-type: none"> <li>● SPACER Ø12x2,75x16,50 0/000.480.5062 (u. 1)</li> </ul>

21	<ul style="list-style-type: none"><li>● TORNILLO ISO 7380 Torx T-30 con arandela M6x35 INOX 0/000.460.0091 (u. 1)</li></ul>
22	<ul style="list-style-type: none"><li>● TANK TO CHASSIS SUPPORT PAD 0/000.360.5012 (u. 1)</li></ul>
23	<ul style="list-style-type: none"><li>● PLASTICO RACOR "L" WS 10 Ø10 0/000.630.1000 (u. 1)</li></ul>
24	<ul style="list-style-type: none"><li>● CHAPA TOPE CIERRE TAPON GASOLINA MRT v.2 0/000.220.5020 (u. 1)</li></ul>
27	<ul style="list-style-type: none"><li>● CANISTER CENTURY V.2 0/000.640.4014 (u. 1)</li></ul>
28	<ul style="list-style-type: none"><li>● FUEL TANK CAP 0/000.410.5300 (u. 1)</li></ul>

**EXHAUST**



8	● EXHAUST PIPE GASKET GRAPHITE 0/000.260.8010 (u. 1)	
9	● PETACA INOX MRT 125 EURO5 LC C / PROTECTOR 0/000.870.5054 (u. 1)	
10	● HORN ATTACHMENT BOLT 0/000.460.0600 (u. 2)	
12	● EXHAUST SPRING 0/000.470.6001 (u. 1)	
13	● QUICK NUT DIN 934 M6 0/000.340.5101 (u. 2)	
14	● TAPA CAJA FILTRO MRT v.2 0/000.350.5014 (u. 1)	
15	● CLAMP COBRA 11/7 W4 0/000.680.0527 (u. 1)	
16	● RUBBER FIXATION BATTERY 0/000.360.8002 (u. 1)	
17	● CAJA FILTRO COMPLETA MRT 125 E5 MN 0/000.910.6004 (u. 1)	
18	● FILTER BOX HOUSING 0/000.910.5200 (u. 1)	<b>OBSOLETE</b>
19	● AIR FILTER ELEMENT 0/001.070.4000 (u. 1)	
20	● FILTER BOX CHOKE 0/000.350.5005 (u. 1)	
21	● ARO FIJACION TOBERA CAJA FILTRO 0/000.910.5201 (u. 1)	
22	● FILTER BOX TO CARBURETTOR JOIN RUBBER 0/000.360.6010 (u. 1)	
23	● COPOLAN-NBR-NVC TUBE Ø8 x Ø12 x 230 0/000.290.0666 (u. 1)	

25	<ul style="list-style-type: none"> <li>METRIC SCREW 6 x 22 0/000.460.0310 (u. 1)</li> </ul>
26	<ul style="list-style-type: none"> <li>GEAR CHANGE PEDAL 0/005.430.6001 (u. 1)</li> </ul>
27	<ul style="list-style-type: none"> <li>FILTER BOX RUBBER CLAMP 0/000.680.7002 (u. 1)</li> </ul>
28	<ul style="list-style-type: none"> <li>VALVE SUPPORT AIS 2011 0/000.980.7032 (u. 1)</li> </ul>
29	<ul style="list-style-type: none"> <li>SCREW DIN 7985 Phillips M6x10 Cal.4.8 ZINC PLATED 0/000.460.1704 (u. 2)</li> </ul>
30	<ul style="list-style-type: none"> <li>AIS VALVE IN/OUT BI-DIRECTIONAL 0/000.640.0002 (u. 1)</li> </ul>
31	<ul style="list-style-type: none"> <li>MANGUITO OUT VALVULA AIS MRT 125 (V.AIS / ESCAPE) 0/000.640.6019 (u. 1)</li> </ul>
	<ul style="list-style-type: none"> <li>VALVE PIPE SET 0/000.640.6010 (u. 1)</li> </ul>
32	<ul style="list-style-type: none"> <li>HOSE EPDM Ø6 x Ø9 x 430 0/000.290.0664 (u. 1)</li> </ul>
33	<ul style="list-style-type: none"> <li>EXHAUST PIPE PROTECTOR MARATHON 125 EURO 4 0/000.220.6007 (u. 1)</li> </ul>
34	<ul style="list-style-type: none"> <li>TUBO ESCAPE MRT 125 PRO EURO5 INOX 0/000.290.5089 (u. 1)</li> </ul>
35	<ul style="list-style-type: none"> <li>SCREW M6X20 0/000.460.3031 (u. 2)</li> </ul>
36	<ul style="list-style-type: none"> <li>WASHER 0/000.440.6000 (u. 2)</li> </ul>
37	<ul style="list-style-type: none"> <li>QUICK NUT DIN 934 M6 0/000.340.5101 (u. 1)</li> </ul>
38	<ul style="list-style-type: none"> <li>RED RADIATOR PROTECTOR MRT 0/000.220.0593 (u. 2)</li> </ul>
39	<ul style="list-style-type: none"> <li>SOPORTE CDI MR 125 Z/BLANCO 0/000.980.6120 (u. 1)</li> </ul>
40	<ul style="list-style-type: none"> <li>RUBBER SILEMBLOCK 0/000.360.0400 (u. 6)</li> </ul>
41	<ul style="list-style-type: none"> <li>RADIATOR HOSE SET 0/000.640.6007 (u. 1)</li> </ul>
42	<ul style="list-style-type: none"> <li>WASHER FIXATION 0/000.440.6300 (u. 1)</li> </ul>
43	<ul style="list-style-type: none"> <li>RADIATOR CAP 0/000.410.5102 (u. 1)</li> </ul>
44	<ul style="list-style-type: none"> <li>HOSE EPDM Ø6 x Ø9 x 650 0/000.290.0649 (u. 1)</li> </ul>
45	<ul style="list-style-type: none"> <li>RADIATING VENTILATOR 0/005.060.6000 (u. 1)</li> </ul>
	<ul style="list-style-type: none"> <li>ELECTROVENTILADOR MRT 125 2019 0/005.060.6001 (u. 1) - A PARTIR N° VIN VTPMRT20D00G02960</li> </ul>
46	<ul style="list-style-type: none"> <li>RADIATOR HOSE CLAMPS 0/000.680.0550 (u. 1)</li> </ul>
47	<ul style="list-style-type: none"> <li>SCREW FIXATION 0/000.460.6300 (u. 1)</li> </ul>
48	<ul style="list-style-type: none"> <li>BLIND NUT M8 0/000.340.7031 (u. 2)</li> </ul>
49	<ul style="list-style-type: none"> <li>EXHAUST GASKET 0/000.490.6000 (u. 1)</li> </ul>
50	<ul style="list-style-type: none"> <li>KIT RADIATOR MRT 2016 0/K00.580.5000 (u. 1)</li> </ul>

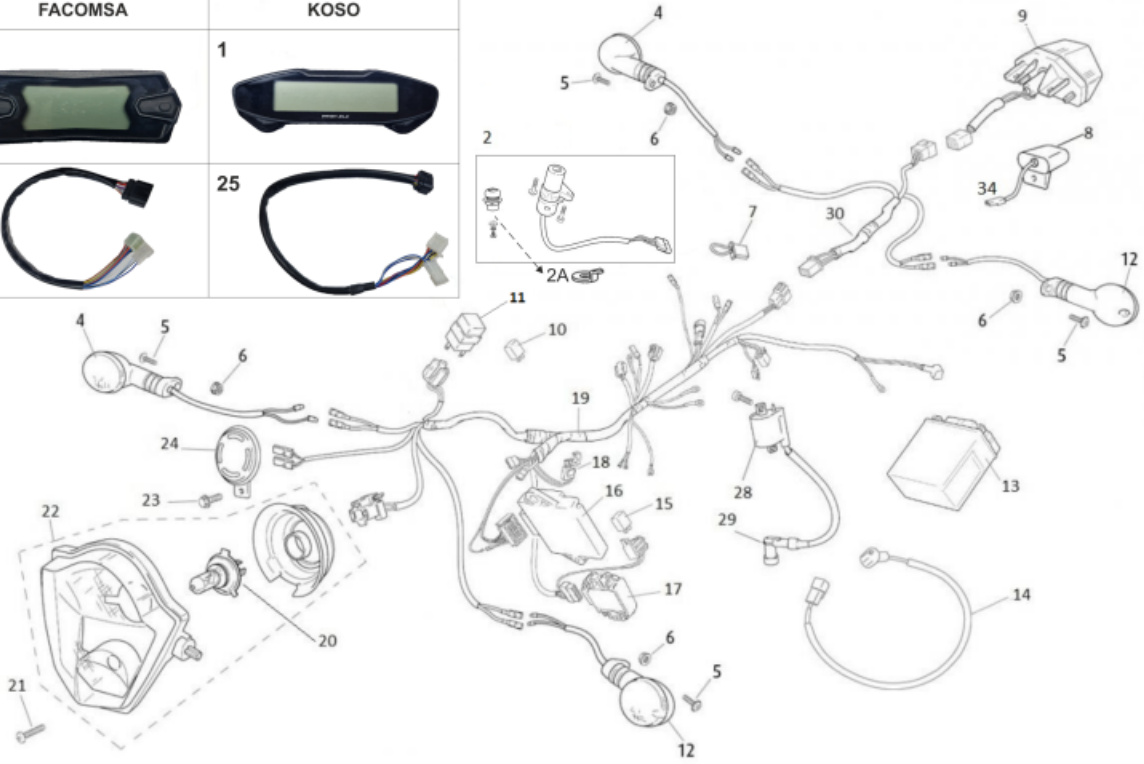
51

- INOX CLAMP 36-39 INNER CHC HEAD  
0/000.680.8003 (u. 1)

**ELECTRICAL**



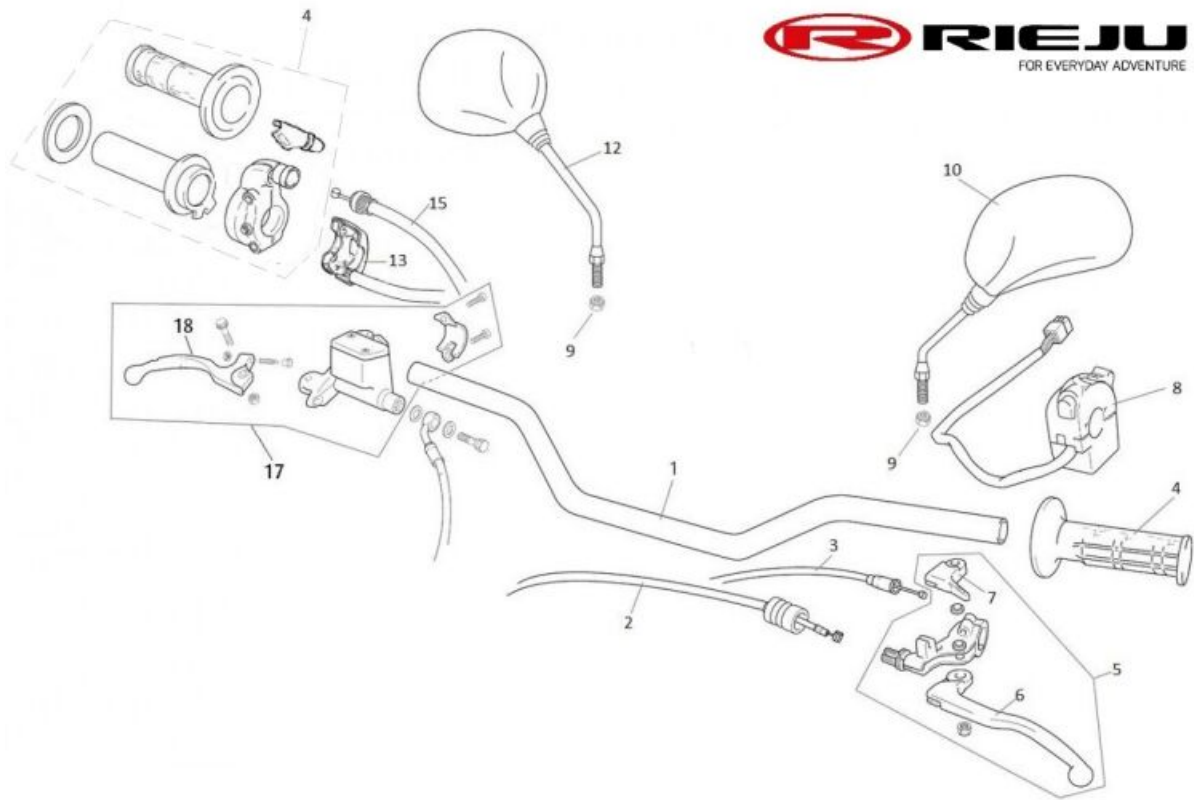
FACOMSA	KOSO
1 	1 
25 	25 



1	<ul style="list-style-type: none"> <li>● CTA. KMS. COMP FACOMSA MRT v.2 E5 0/001.000.2114 (u. 1)</li> <li>● KOSO SPEEDOMETER EX03 EURO5 (FUEL LEVEL INDICATOR) 0/001.000.2112 (u. 1)</li> </ul>
2	<ul style="list-style-type: none"> <li>● KEY SET MRT v.2 2021 0/001.060.5000 (u. 1) - ADD 0/000.220.5019</li> </ul>
2A	<ul style="list-style-type: none"> <li>● CHAPA BLOQUEO CIERRE TAPON GASOLINA MRT v.2 0/000.220.5019 (u. 1)</li> </ul>
4	<ul style="list-style-type: none"> <li>● RIGHT HAND INDICATOR OVAL 0/000.150.2100 (u. 2)</li> </ul>
5	<ul style="list-style-type: none"> <li>● INDICATOR ATTACHMENT BOLT 0/000.460.1170 (u. 4)</li> <li>● TORNILLO ISO 7380 Torx T-25 con arandela M5x16 INOX 0/000.460.0083 (u. 4)</li> </ul>
6	<ul style="list-style-type: none"> <li>● INDICATOR ATTACHMENT NUT 0/000.340.0172 (u. 4)</li> </ul>
8	<ul style="list-style-type: none"> <li>● PILOT BACK LIGHT LED 2018 0/000.150.6001 (u. 1)</li> </ul>
9	<ul style="list-style-type: none"> <li>● LUZ PILOTO TRASERO LED V.2 0/000.150.9106 (u. 1)</li> </ul>
10	<ul style="list-style-type: none"> <li>● RELÉ ELECTROVENTILADOR 0/001.200.0401 (u. 1)</li> </ul>
11	<ul style="list-style-type: none"> <li>● FLASHER UNIT 0/001.200.5032 (u. 1)</li> </ul>
12	<ul style="list-style-type: none"> <li>● LEFT HAND INDICATOR OVAL 0/000.150.2200 (u. 2)</li> </ul>
13	<ul style="list-style-type: none"> <li>● BATTERY 12V 6,5 AH MAINTENANCE FREE 0/000.900.4003 (u. 1)</li> </ul>

14	● SUPLEMENTO INSTALACION MOTOR ARRANQUE 0/000.160.6025 (u. 1)
15	● RELAY STARTS 70A 0/001.200.6001 (u. 1)
16	● KIT ECU + CUERPO MARIPOSA MARATHON 125 E5 0/K05.705.6002 (u. 1)
17	● REGULADOR 0/229.012.0008 (u. 1)
18	● FUSIBLE SCOOTER 0/000.910.0610 (u. 1)
19	● INSTALACION ELECTRICA MR 125 E5 0/000.160.6039 (u. 1)
20	● LAMP H4 35/35 12V. 0/000.850.9000 (u. 1)
21	● HEADLAMP BEAM UNIT BUSHING BOLT 0/000.460.0786 (u. 1)
22	● HEADLIGHT WITH BULB COMPLETE PT-107 0/000.600.0270 (u. 1)
23	● HORN ATTACHMENT BOLT 0/000.460.0600 (u. 1)
24	● HORN CLASS II TYPE DL128J - 12V 0/000.420.5011 (u. 1)
	● SOPORTE CLAXON MRT v.2 0/000.980.5124 (u. 1)
25	● SUPPLEMENT WIRE HARNESS KOSO SPEEDOMETER EURO 5 0/000.160.5036 (u. 1) - FOR SPEEDOMETER KOSO
	● SUPLEMENTO INSTALACION MARCADOR MR MRT 125 0/000.160.6037 (u. 1) - FOR SPEEDOMETER FACOMSA
28	● BOBINA E5 125WR 0/229.000.0001 (u. 1)
29	● ENGINE SPARK PLUG PIPE 125 2009 0/005.110.6002 (u. 1)
30	● REAR ELECTRICAL INSTALLATION MRT 0/000.160.6006 (u. 1)
34	● SUPLEMENTO INSTALACION LUZ MATRICULA MRT E5 v.2 0/000.160.5041 (u. 1)

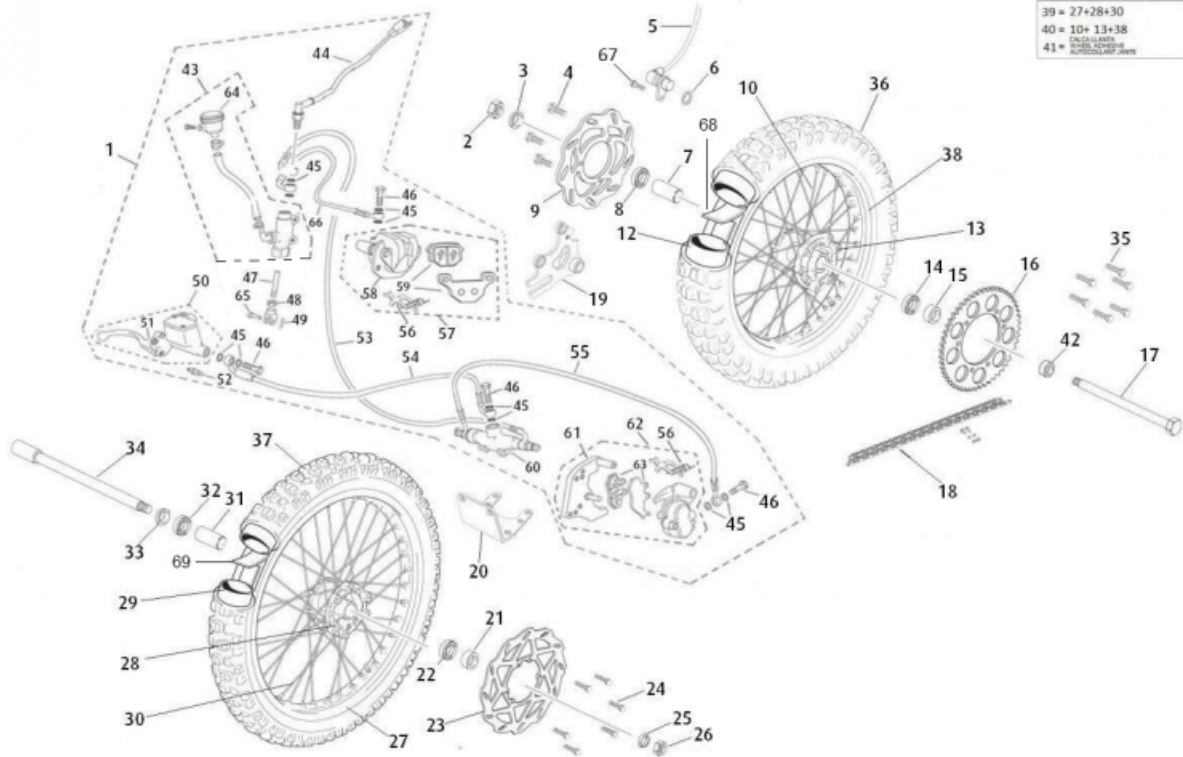
**HANDLEBAR**



1	● MANILLAR NEGRO DIAMETRO VARIABLE 0/000.170.9001 (u. 1)
2	● CABLE EMBRAGUE MRT 125 PRO EURO5 0/000.550.5017 (u. 1)
3	● STARTER CABLE 0/000.550.6007 (u. 1)
4	● PUÑO GAS COMPLETO C/JUEGO MANOPLAS ROJAS 0/000.530.6002 (u. 1)
5	● LEVERLESS CLUTCH LEVER STARTER TANGO 125 2013 0/000.830.5006 (u. 1)
7	● SINGLE STARTER LEVER 0/000.830.8302 (u. 1)
8	● LEFT SWITCH MRT 125 E4 0/000.720.6004 (u. 1)
10	● L/H MIRROR TANGO 0/000.990.8001 (u. 1)
12	● R/H MIRROR TANGO 0/000.990.8000 (u. 1)
13	● INTERRUPTOR START 0/000.720.6001 (u. 1)
15	● CABLE GAS MRT 125 PRO EURO5 0/000.550.5016 (u. 1)
17	● FRONT BRAKE PUMP WITH LEVER CBS 0/000.820.0325 (u. 1)
18	● BRAKE LEVER ONLY 0/000.830.1011 (u. 1)



**WHEELS - BRAKES**



1	<ul style="list-style-type: none"> <li>● CONJUNTO FRENADA COMBINADA MARATHON 125 PRO 0/000.820.0775 (u. 1)</li> </ul>
2	<ul style="list-style-type: none"> <li>● SWING ARM SHAFT NUT 0/000.340.0186 (u. 1)</li> </ul>
3	<ul style="list-style-type: none"> <li>● SWING ARM SHAFT WASHER 0/000.440.0123 (u. 1)</li> </ul>
4	<ul style="list-style-type: none"> <li>● SCREW DIN 933 M8x25 Cal.8.8 ZINC PLATED 0/000.460.0723 (u. 3)</li> </ul>
5	<ul style="list-style-type: none"> <li>● SA-01 SPEED SENSOR WITOUT O-RING 0/001.010.2102 (u. 1)</li> </ul>
6	<ul style="list-style-type: none"> <li>● GEAR WASHER DIN 9021/A M8 0/000.440.0180 (u. 1)</li> </ul>
7	<ul style="list-style-type: none"> <li>● INTERNAL SEPARATOR 0/000.480.5040 (u. 1)</li> </ul>
8	<ul style="list-style-type: none"> <li>● FRONT WHEEL BEARING 0/000.960.0050 (u. 1)</li> </ul>
9	<ul style="list-style-type: none"> <li>● REAR BRAKE DISK WAVE Ø200 2016 0/001.090.0266 (u. 1)</li> </ul>
10	<ul style="list-style-type: none"> <li>● SPOKES SET 0/K00.540.0000 (u. 12)</li> </ul>
12	<ul style="list-style-type: none"> <li>● MOTORCYCLE TUBE 110/120/80-18 TR6 PG MI 0/000.520.0512 (u. 1)</li> </ul>
14	<ul style="list-style-type: none"> <li>● FRONT WHEEL BEARING 0/000.960.0050 (u. 1)</li> </ul>
15	<ul style="list-style-type: none"> <li>● WHEEL SEPARATOR 0/000.480.8000 (u. 1)</li> </ul>
16	<ul style="list-style-type: none"> <li>● PLATO DURALUMINIO ORO Z58 e=7 CADENA 428 (1/2" x 5/16" R8,51) 0/000.500.6006 (u. 1)</li> </ul>

17	<ul style="list-style-type: none"> <li>REAR WHEEL SHAFT 0/000.190.5303 (u. 1)</li> </ul>
18	<ul style="list-style-type: none"> <li>CADENA COMPLETA 138 PASOS 428 O-RING MARATHON PRO 125 EUROS 0/001.050.6002 (u. 1)</li> </ul>
19	<ul style="list-style-type: none"> <li>REAR BRAKE CALIPER SUPPORT MARATHON 125 0/000.980.6021 (u. 1)</li> </ul>
20	<ul style="list-style-type: none"> <li>SOPORTE VALVULA CBS MARATHON 125 PRO 0/000.980.6025 (u. 1)</li> </ul>
21	<ul style="list-style-type: none"> <li>FRONT WHEEL SEPARATOR 0/000.480.5032 (u. 1)</li> </ul>
22	<ul style="list-style-type: none"> <li>FRONT WHEEL BEARING 0/000.960.0050 (u. 1)</li> </ul>
23	<ul style="list-style-type: none"> <li>FRONT BRAKE DISC D.300 0/K01.090.0003 (u. 1)</li> </ul>
24	<ul style="list-style-type: none"> <li>FRONT BRAKE DISC ATTACHMENT BOLT 0/000.460.0693 (u. 6)</li> </ul>
25	<ul style="list-style-type: none"> <li>SWING ARM SHAFT WASHER 0/000.440.0123 (u. 1)</li> </ul>
26	<ul style="list-style-type: none"> <li>SWING ARM SHAFT NUT 0/000.340.0186 (u. 1)</li> </ul>
27	<ul style="list-style-type: none"> <li>SINGLE FRONT WHEEL RIM 0/000.230.0803 (u. 1)</li> </ul>
28	<ul style="list-style-type: none"> <li>SINGLE FRONT WHEEL SPOOL 0/000.070.0120 (u. 1)</li> </ul>
29	<ul style="list-style-type: none"> <li>MOTORCYCLE TUBE 80/90/90-21 TR6 PG MI 0/000.520.0502 (u. 1)</li> </ul>
30	<ul style="list-style-type: none"> <li>KIT RADIOS DEL 252X3.06 (M3,5) CON CABECILLA 0/K00.540.5005 (u. 36)</li> </ul>
	<ul style="list-style-type: none"> <li>SPOKE 252 x 3,06 (M3,5) 0/000.540.5005 (u. 36)</li> </ul>
31	<ul style="list-style-type: none"> <li>SPACER Ø22x3.25x66.5 0/000.480.5039 (u. 1)</li> </ul>
32	<ul style="list-style-type: none"> <li>FRONT WHEEL BEARING 0/000.960.0050 (u. 1)</li> </ul>
33	<ul style="list-style-type: none"> <li>FRONT WHEEL SHAFT SEPARATOR 0/000.480.5031 (u. 1)</li> </ul>
34	<ul style="list-style-type: none"> <li>MRT PRO SHFT KIT 2013 0/K00.190.0000 (u. 1)</li> </ul>
35	<ul style="list-style-type: none"> <li>DRIVE PLATE BOLT 0/000.460.0670 (u. 6)</li> </ul>
36	<ul style="list-style-type: none"> <li>REAR WHEEL TYRE 120/90- 18 0/000.510.9002 (u. 1)</li> </ul>
37	<ul style="list-style-type: none"> <li>NEUMATICO DEL.90/90-21 MICHELIN M/C 54M 0/000.510.9100 (u. 1)</li> </ul>
38	<ul style="list-style-type: none"> <li>SINGLE REAR WHEEL RIM (without spokes) 0/000.230.0853 (u. 1)</li> </ul>
39	<ul style="list-style-type: none"> <li>COMPLETE FRONT WHEEL ASSEMBLY W/O RUBBER 0/000.110.5440 (u. 1)</li> </ul>
40	<ul style="list-style-type: none"> <li>COMPLETE REAR WHEEL ASSEMBLY W/O RUBBER 0/000.120.5440 (u. 1)</li> </ul>
41	<ul style="list-style-type: none"> <li>ADHESIVE RIMS ENDURO 0/000.390.5140 (u. 4)</li> </ul>
42	<ul style="list-style-type: none"> <li>WHEEL SEPARATOR 0/000.480.8000 (u. 1)</li> </ul>
43	<ul style="list-style-type: none"> <li>COMPLETE REAR BRAKE PUMP CBS 2017 0/000.820.0326 (u. 1)</li> </ul>

44	● STOP SWITCH REAR 2009 0/000.720.0075 (u. 1)
45	● BRAKE HOSE BOLT WASHER 0/000.440.7002 (u. 10)
46	● BLEEDING BOLT M10x100 0/000.460.7013 (u. 4)
47	● BRAKE PUMP PUSHROD 0/000.240.5001 (u. 1)
48	● (5 UNIT BAG) NUT DIN 934 M6 Cal.8 Z / WHITE 0/000.340.0130B (u. 1)
49	● SECURING PIN 0/000.840.0060 (u. 1)
50	● FRONT BRAKE PUMP WITH LEVER CBS 0/000.820.0325 (u. 1)
51	● BRAKE LEVER ONLY 0/000.830.1011 (u. 1)
52	● STOP SWITCH 0/000.720.0070 (u. 1)
53	● BRAKE PIPE FROM CBS VALVE TO REAR BRAKE CALIPER 0/000.290.0276 (u. 1)
54	● TUBO FRENO VALVULA CBS BOMBA FRENO DELANTERA 0/000.290.0278 (u. 1)
55	● FRONT BREAK PIPE CBS VALVE TO CALLIPER 0/000.290.0277 (u. 1)
56	● SET SPRING 0/000.640.0049 (u. 2)
57	● REAR BRAKE CALIPER WITH HOLDER CBS 2017 0/000.860.5121 (u. 1)
58	● REAR BRAKE CALIPER HOLDER CBS 2017 0/000.640.0052 (u. 1)
59	● BRAKE PADS CBS 0/000.930.0097 (u. 1)
60	● CBS VALVE ASSY 0/000.640.0045 (u. 1)
62	● SINGLE FRONT BRAKE CALIPER 0/000.860.5117 (u. 1)
63	● BRAKE PADS SET 0/000.930.3005 (u. 1)
64	● BRAKE FLUID TANK 0/000.030.0170 (u. 1)
65	● BRAKE LEVER PIN 0/000.840.0090 (u. 1)
66	● REAR BRAKE PIPE FROM PUMP TO CALIPER 0/000.290.0279 (u. 1)
67	● SCREW M6X20 0/000.460.3031 (u. 1)
68	● REAR RIM BAND 18" 0/000.220.0022 (u. 1)
69	● FRONT RIM BAND 21" 0/000.220.0021 (u. 1)



16	●	UPPER STEERING FORK DUST COVER 0/000.200.0001 (u. 1)
17	●	LOWER NUT 0/000.340.5202 (u. 1)
18	●	LOWER PLATE SILVER 0/000.660.5005 (u. 1)
19	●	SUSPENSION TUBE RIGHT / LEFT 0/000.880.5005 (u. 2)
20	●	FROK TUBE RING R16V MRT PRO 0/000.300.5002 (u. 2)
21	●	FORK RETAINER 0/000.890.5005 (u. 2)
22	●	FORK SCRAPER RETAINER 0/000.890.5006 (u. 2)
23	●	LEFT FORK TUBE SUSP. R16V MRT PRO 0/000.290.5208 (u. 1)
24	●	HYDRAULIC PIPE SET LEFT 0/000.640.5117 (u. 1)
25	●	HORQUILLA MR 125 PRO REGULABLE 0/000.130.6007 (u. 1)
26	●	(BOLSA 5 uds) TLLO DIN 912 JS500 M10x50 0/000.460.0402B (u. 2)
27	●	(5 uds) WASHER DIN 125/A M10 Z/WHITE 0/000.440.0110B (u. 4)
29	●	(5 UNIT BAG) NUT DIN 6926 M10 Cal.8 Z / WHITE 0/000.340.0182B (u. 2)
30	●	AMORTIGUADOR MR 125 PRO REGULABLE 0/000.180.6005 (u. 1)
34	●	SUPORT TRAPEZE ROD 0/000.980.5103 (u. 1)
35	●	COMPLETE LINK 2009 0/000.770.0105 (u. 1)
36	●	SHOCK ABSORBER BOLT NUT 0/000.340.0182 (u. 1)
37	●	TORNILLO DIN 912 10x70 0/000.460.6210 (u. 1)
38	●	SHOCK ABSORBER BOLT WASHER 0/000.440.0110 (u. 1)
39	●	LEFT TOE FORK R16V MRT PRO 0/000.880.5007 (u. 1)
40	●	REAR CHASSIS ATTACHMENT NUT 0/000.340.0187 (u. 1)

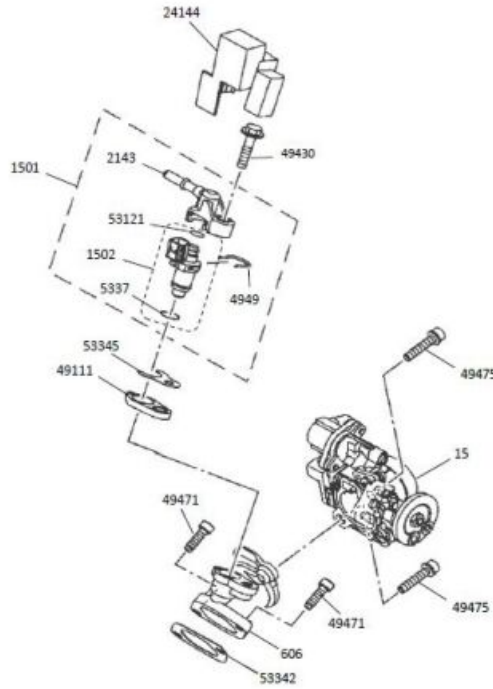
STICKERS



- |   |  |
|---|--|
| 1 | <ul style="list-style-type: none"> <li>JUEGO CALCAS MR 125 PRO 2023</li> <li>0/000.390.6003 (u. 1)</li> </ul>            |
| 2 | <ul style="list-style-type: none"> <li>CALCA MOTOR MRT 125i PRO MN</li> <li>0/000.390.5364 (u. 1)</li> </ul>             |
| 3 | <ul style="list-style-type: none"> <li>DECAL SET WHEEL RED TEAM SM RACING 2014</li> <li>0/000.390.5122 (u. 4)</li> </ul> |

# WR125 E5

**INTAKE**

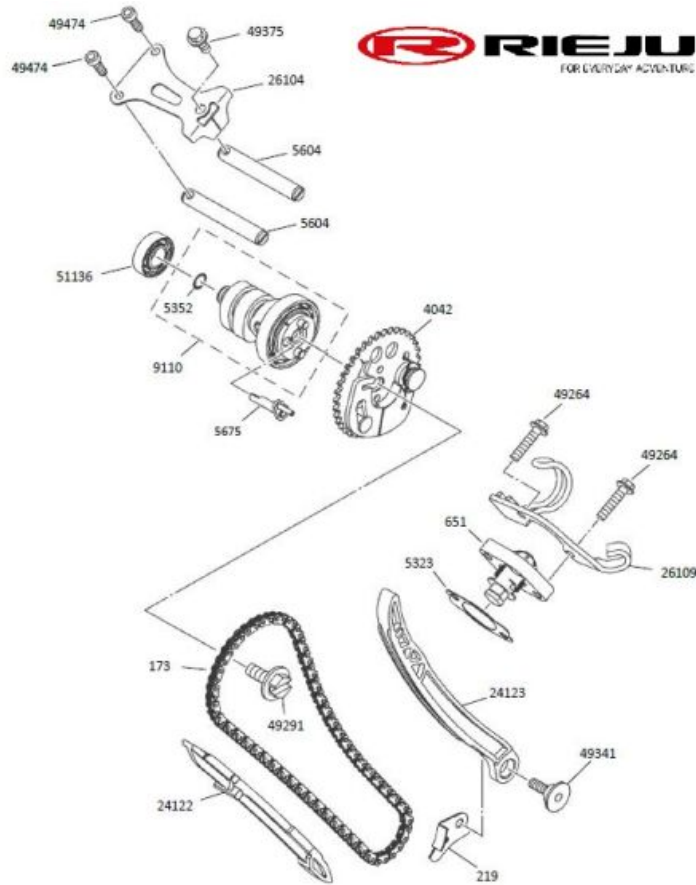


15	<ul style="list-style-type: none"> <li>KIT ECU + CUERPO MARIPOSA MARATHON 125 E5 0/K05.705.6002 (u. 1)</li> </ul>	
606	<ul style="list-style-type: none"> <li>COLECTOR DE ADMISION 0/229.000.0016 (u. 1)</li> </ul>	
1501	<ul style="list-style-type: none"> <li>INYECTOR COMPLETO 0/229.000.0025 (u. 1)</li> </ul>	
1502	<ul style="list-style-type: none"> <li>INYECTOR 0/229.000.0026 (u. 1)</li> </ul>	
2143	<ul style="list-style-type: none"> <li>INYECTOR 0/229.000.0031 (u. 1)</li> </ul>	
4949	<ul style="list-style-type: none"> <li>CLIP INYECTOR 0/229.000.0065 (u. 1)</li> </ul>	
5337	<ul style="list-style-type: none"> <li>ANILLO SELLADO INYECTOR 0/229.000.0077 (u. 1)</li> </ul>	
24144	<ul style="list-style-type: none"> <li>TAPON PROTECTOR INYECTOR 0/229.000.0110 (u. 1)</li> </ul>	
49111	<ul style="list-style-type: none"> <li>SEPARADOR INYECTOR 0/229.000.0123 (u. 1)</li> </ul>	
49430	<ul style="list-style-type: none"> <li>TORNILLO M6x30 0/229.000.0149 (u. 1)</li> </ul>	
49471	<ul style="list-style-type: none"> <li>BOLT 91312-06020 (u. 2)</li> </ul>	<b>OBSELETE</b>
49475	<ul style="list-style-type: none"> <li>TORNILLO M6x30 0/229.000.0158 (u. 2)</li> </ul>	
53121	<ul style="list-style-type: none"> <li>JUNTA TORICA SUPERIOR INYECTOR 0/229.000.0168 (u. 1)</li> </ul>	
53342	<ul style="list-style-type: none"> <li>JUNTA TUBERA 0/229.000.0176 (u. 1)</li> </ul>	



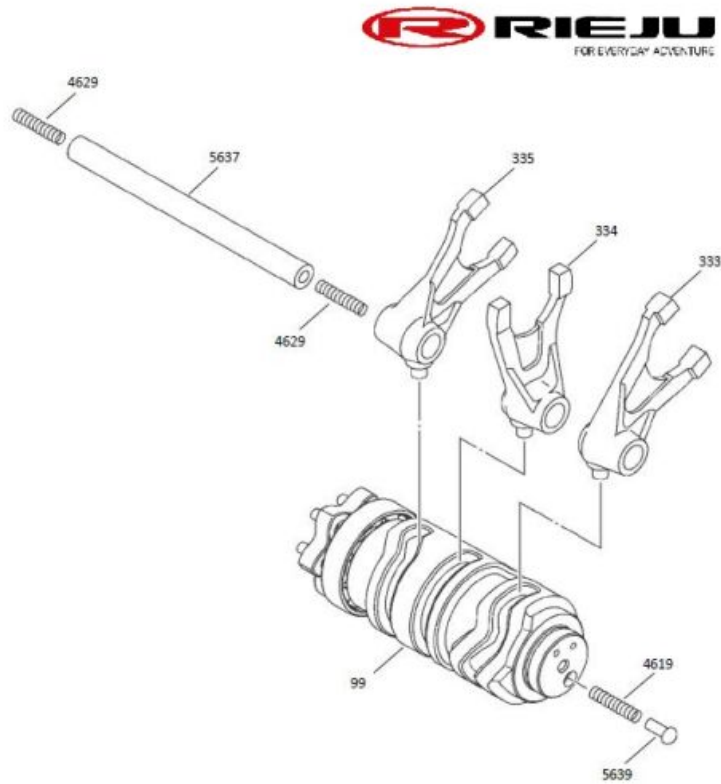
**53345** • JUNTA METALICA INYECTOR  
0/229.000.0178 (u. 1)

**CAMSHAFT-DISTRIBUTION**



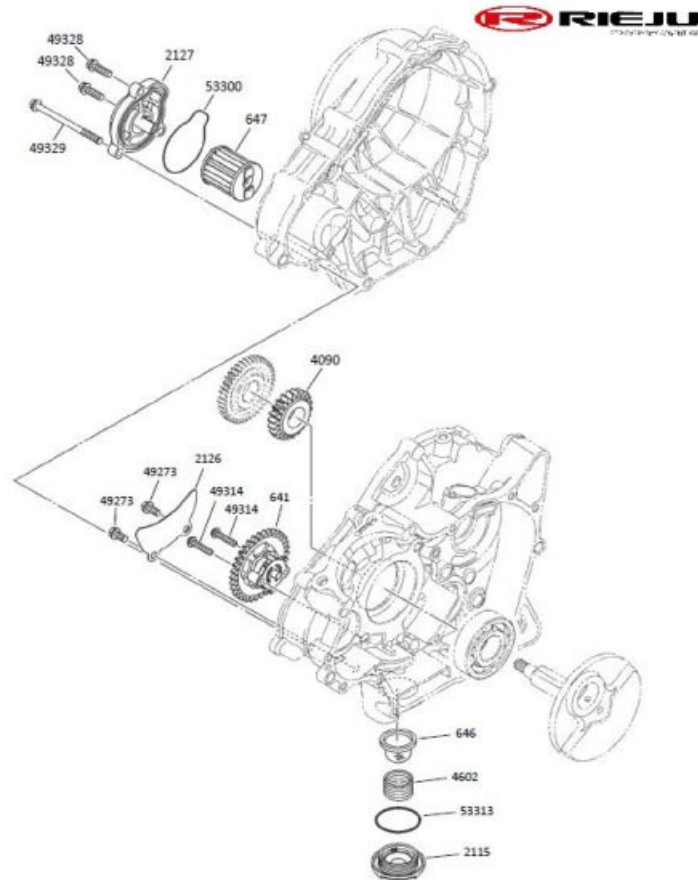
173	●	CADENA DISTRIBUCION 0/229.002.0001 (u. 1)
219	●	CUBIERTA CADENA 0/229.000.0010 (u. 1)
651	●	TENSOR CADENA 0/229.000.0019 (u. 1)
4042	●	PLATO ARRASTRE CADENA DE DISTRIBUIDOR 0/229.002.0006 (u. 1)
5323	●	JUNTA TENSOR 0/229.000.0075 (u. 1)
5352	●	ANILLO SELLADO ARBOL LEVAS 0/229.000.0078 (u. 1)
5604	●	EJE ARBOL LEVAS 0/229.000.0084 (u. 2)
5675	●	EJE LEVA DESCOMPRESOR 0/229.000.0094 (u. 1)
9110	●	ARBOL LEVAS 0/229.000.0100 (u. 1)
24122	●	GUIA CADENA INFERIOR 0/229.002.0016 (u. 1)
24123	●	GUIA CADENA 2 0/229.000.0108 (u. 1)
26104	●	PLETINA FIJACION PASADORES DE LEVAS 0/229.000.0111 (u. 1)
26109	●	SOPORTE CABLE EMBRAGUE 0/229.000.0112 (u. 1)
49264	●	TORNILLO M6x25 0/229.000.0131 (u. 2)

<b>49291</b>	<ul style="list-style-type: none"><li>● PERNO BOMBA AGUA 0/229.003.0008 (u. 1)</li></ul>
<b>49341</b>	<ul style="list-style-type: none"><li>● TORNILLO GUIA CADENA 0/229.000.0144 (u. 1)</li></ul>
<b>49375</b>	<ul style="list-style-type: none"><li>● TORNILLO M6x14 0/229.000.0147 (u. 1)</li></ul>
<b>49474</b>	<ul style="list-style-type: none"><li>● TORNILLO M5x16 0/229.000.0157 (u. 2)</li></ul>
<b>51136</b>	<ul style="list-style-type: none"><li>● RODAMIENTO ARBOL LEVAS 0/229.000.0165 (u. 1)</li></ul>
<b>53331</b>	<ul style="list-style-type: none"><li>● JUNTA TORICA TERMOSTATO 0/229.000.0174 (u. 1)</li></ul>

**SELECTOR SHAFT**


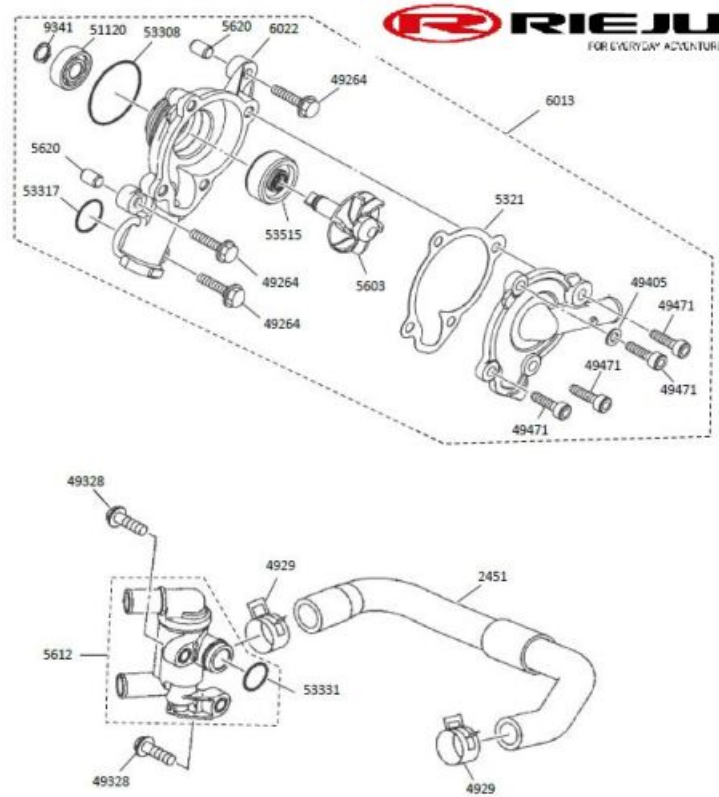
<b>99</b>	<ul style="list-style-type: none"> <li>● LEVA DEL CAMBIO COMPLETA 0/229.000.0007 (u. 1)</li> </ul>
<b>333</b>	<ul style="list-style-type: none"> <li>● HORQUILLA DEL CAMBIO 1 0/229.000.0012 (u. 1)</li> </ul>
<b>334</b>	<ul style="list-style-type: none"> <li>● HORQUILLA DEL CAMBIO 2 0/229.000.0013 (u. 1)</li> </ul>
<b>335</b>	<ul style="list-style-type: none"> <li>● HORQUILLA DEL CAMBIO 3 0/229.000.0014 (u. 1)</li> </ul>
<b>4619</b>	<ul style="list-style-type: none"> <li>● MUELLE INDICADOR MARCHA 0/229.000.0059 (u. 1)</li> </ul>
<b>4629</b>	<ul style="list-style-type: none"> <li>● SPRING COMPRESSION 0/226.010.0008 (u. 2)</li> </ul>
<b>5637</b>	<ul style="list-style-type: none"> <li>● EJE GUIA HORQUILLA CAMBIO 0/229.000.0087 (u. 1)</li> </ul>
<b>5639</b>	<ul style="list-style-type: none"> <li>● TETON INDICADOR MARCHA 0/229.000.0088 (u. 1)</li> </ul>

## OIL PUMP



641	●	BOMBA DE ACEITE 0/229.000.0017 (u. 1)
646	●	FILTRO DE ACEITE 0/229.000.0018 (u. 1)
647	●	FILTRO ACEITE COMPLETO 0/229.004.0003 (u. 1)
2115	●	TAPON DRENAJE BOMBA ACEITE 0/229.000.0027 (u. 1)
2126	●	CUBIERTA BOMBA ACEITE 0/229.000.0029 (u. 1)
2127	●	TAPA BOMBA ACEITE 0/229.000.0030 (u. 1)
4090	●	PIÑÓN CONDUCTOR BOMBA ACEITE 0/229.000.0055 (u. 1)
4602	●	MUELLE FILTRO ACEITE 0/229.000.0056 (u. 1)
49273	●	TORNILLO M6x12 0/229.000.0132 (u. 2)
49314	●	TORNILLO M5x25 0/229.000.0136 (u. 2)
49328	●	TORNILLO M6x20 0/229.000.0141 (u. 2)
49329	●	TORNILLO M6x80 0/229.000.0142 (u. 1)
53300	●	JUNTA TORICA TAPA FILTRO ACEITE 0/229.000.0182 (u. 1)
53313	●	JUNTA TORICA D33,7 x 3,5 BOMBA ACEITE MOTOR WR 125 EURO5 0/000.490.5005 (u. 1)

**WATER PUMP**

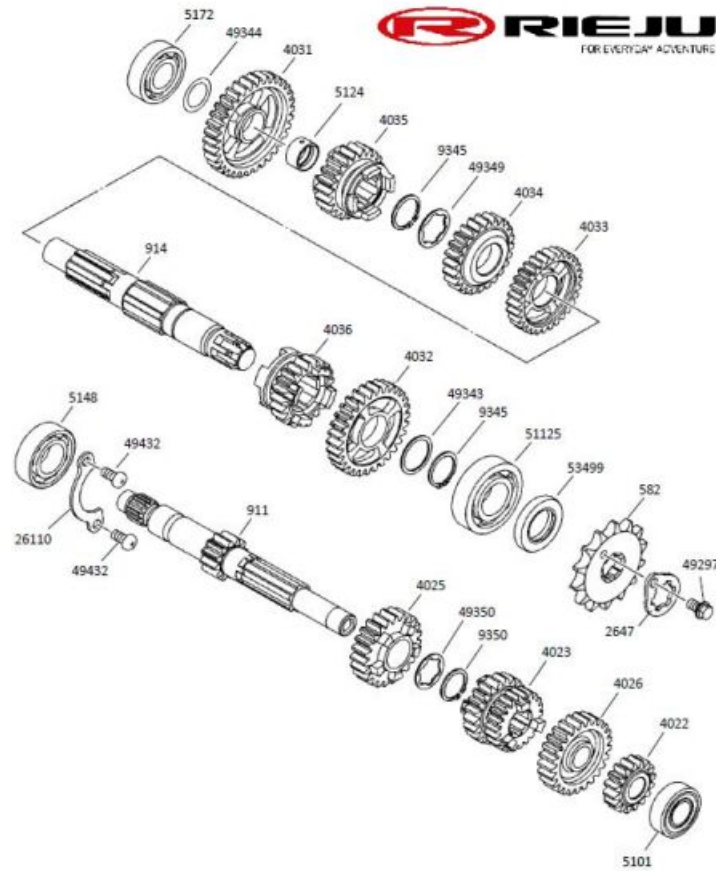


2451	●	TUBO CIRCUITO REFRIGERACION 0/229.000.0032 (u. 1)
4929	●	ABRAZADERA TUBO REFRIGERACION 0/229.000.0063 (u. 2)
5321	●	JUNTA TAPA BOMBA AGUA 0/229.000.0074 (u. 1)
5603	●	CENTRIFUGO BOMBA AGUA 0/229.000.0083 (u. 1)
5612	●	TERMOSTATO 0/229.003.0009 (u. 1)
5620	●	CASQUILLO CENTRADOR TAPA CULATA 0/005.560.2670 (u. 2)
6013	●	BOMBA AGUA COMPLETA 0/229.003.0010 (u. 1)
6022	●	CUERPO BOMBA AGUA 0/229.000.0096 (u. 1)
9341	●	ANILLO CIRCLIP BOMBA AGUA 0/229.000.0104 (u. 1)
49264	●	TORNILLO M6x25 0/229.000.0131 (u. 3)
49328	●	TORNILLO M6x20 0/229.000.0141 (u. 2)
49405	●	ARANDELA 6x11x1 0/229.000.0148 (u. 1)
49471	●	BOLT 91312-06020 (u. 4)
51120	●	BEARING 0/226.003.0015 (u. 1)

**OBSELETE**

<b>53308</b>	<ul style="list-style-type: none"><li>● ANILLO TORICO 0/229.003.0016 (u. 1)</li></ul>
<b>53317</b>	<ul style="list-style-type: none"><li>● ANILLO 19X2.4 0/229.006.0016 (u. 1)</li></ul>
<b>53515</b>	<ul style="list-style-type: none"><li>● RETEN 10x31x13.5 0/229.000.0180 (u. 1)</li></ul>

**GEAR CHANGE**

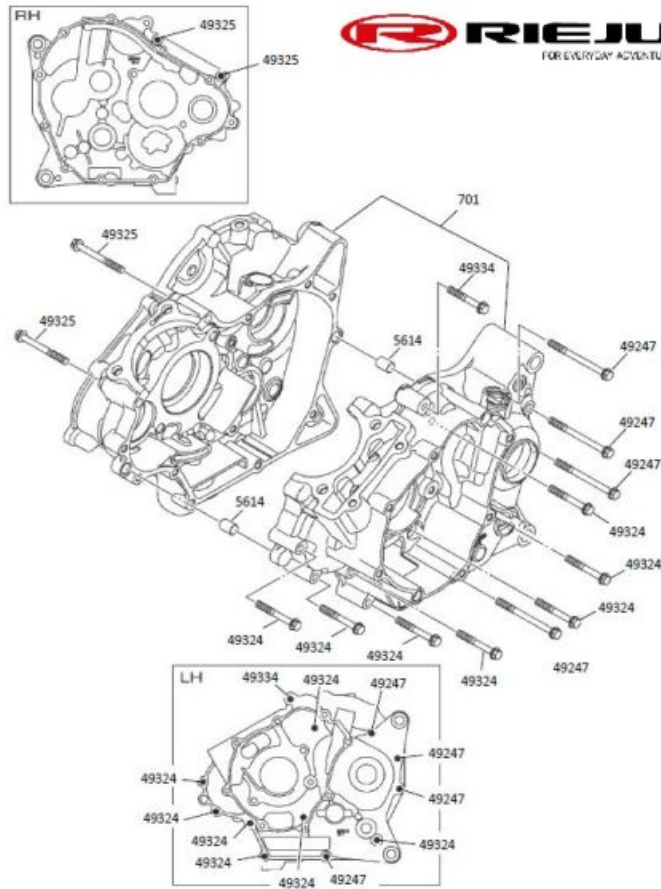


582	●	FRONT DRIVE SPROCKET428-14Z 0/226.009.0001 (u. 1)
911	●	ARBOL TRANSMISION PRIMARIO 0/229.000.0021 (u. 1)
914	●	ARBOL TRANSMISION SECUNDARIO 0/229.000.0022 (u. 1)
2647	●	SOPORTE CORONA 0/229.000.0036 (u. 1)
4022	●	GEAR 2ND PINION 0/226.009.0005 (u. 1)
4023	●	GEAR 3RD PINION 0/226.009.0006 (u. 1)
4025	●	PIÑON 5a ARBOL PRIMARIO 0/229.000.0045 (u. 1)
4026	●	PIÑON 6a ARBOL PRIMARIO 0/229.000.0046 (u. 1)
4031	●	GEAR 1ST WHEEL 0/226.009.0009 (u. 1)
4032	●	PIÑON 2a ARBOL SECUNDARIO 0/229.000.0047 (u. 1)
4033	●	PIÑON 3a ARBOL SECUNDARIO 0/229.000.0048 (u. 1)
4034	●	PIÑON 4a ARBOL SECUNDARIO 0/229.000.0049 (u. 1)
4035	●	PIÑON 5a ARBOL SECUNDARIO 0/229.000.0050 (u. 1)
4036	●	GEAR 6TH WHEEL 0/226.009.0014 (u. 1)



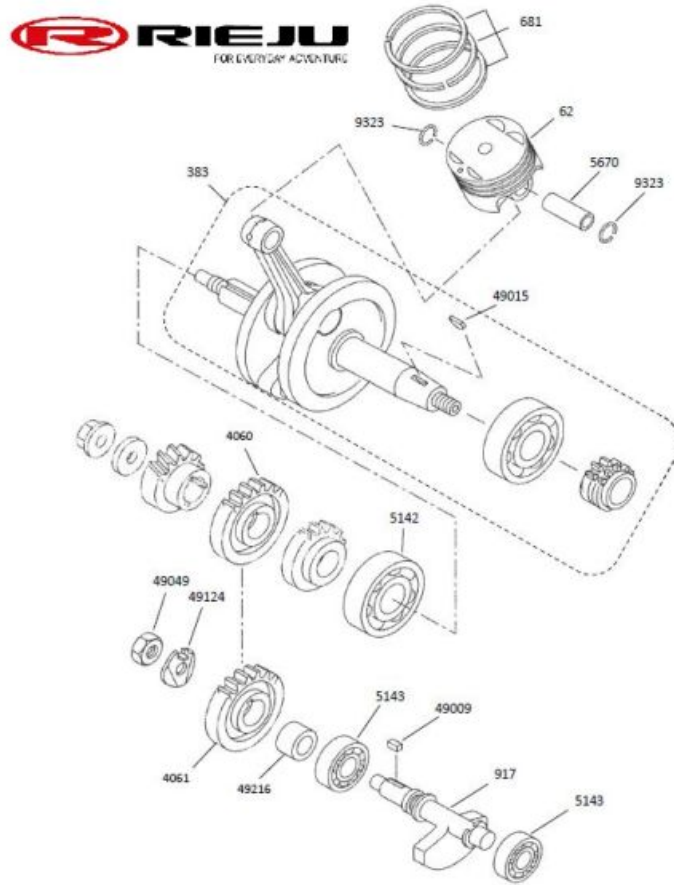
5101	● RODAMIENTO 15x35x11 0/229.000.0066 (u. 1)
5124	● COLLAR 0/226.009.0016 (u. 1)
5148	● RODAMIENTO 20X42x12 0/229.000.0071 (u. 1)
5172	● RODAMIENTO 17x40x12 0/229.000.0072 (u. 1)
9345	● ANILLO SEEGER 0/006.250.0277 (u. 1)
9350	● ANILLO SEEGER 0/006.250.0210 (u. 1)
24143	● TAPON ROSCADO INTERIOR CULATA 0/229.000.0109 (u. 1)
26110	● PLETINA FIJACION RODAMIENTO 0/229.000.0113 (u. 1)
49297	● TORNILLO M6x10 0/229.000.0134 (u. 1)
49343	● ARANDELA ARBOL TRANSMISION SECUNDARIO 0/229.000.0145 (u. 1)
49344	● WASHER PLAIN 0/226.009.0026 (u. 1)
49349	● WASHER 0/226.009.0027 (u. 1)
49350	● WASHER 0/226.009.0028 (u. 1)
49432	● TORNILLO M6x12 0/229.000.0150 (u. 2)
51125	● RODAMIENTO ARBOL TRANSMISION SECUNDARIO 0/229.000.0164 (u. 1)
53499	● RETEN 38x21x6 0/229.000.0179 (u. 1)

**SUMP**



701	<ul style="list-style-type: none"> <li>CARTER COMPLETO 0/229.000.0020 (u. 1)</li> </ul>
5614	<ul style="list-style-type: none"> <li>CASQUILLO 10x14x8,5 0/229.000.0085 (u. 2)</li> </ul>
49247	<ul style="list-style-type: none"> <li>TORNILLO M6x70 0/229.000.0130 (u. 4)</li> </ul>
49324	<ul style="list-style-type: none"> <li>TORNILLO M6x45 0/229.000.0137 (u. 7)</li> </ul>
49325	<ul style="list-style-type: none"> <li>TORNILLO M6x55 0/229.000.0138 (u. 2)</li> </ul>
49334	<ul style="list-style-type: none"> <li>TORNILLO M6x40 0/229.000.0143 (u. 1)</li> </ul>

## CRANKSHAFT-PISTON

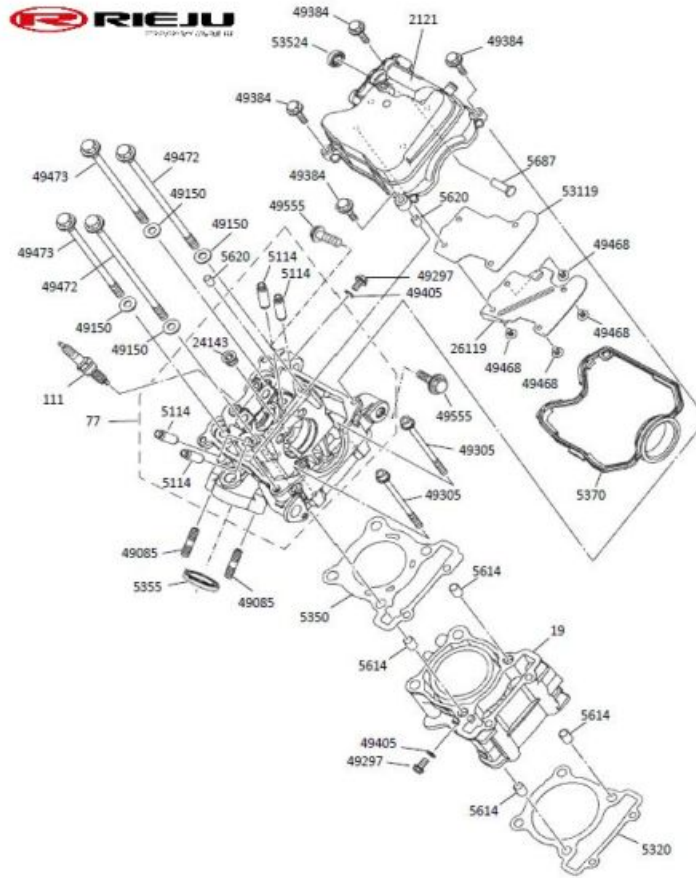


62	<ul style="list-style-type: none"> <li>PISTON Ø52 0/229.000.0005 (u. 1)</li> </ul>
383	<ul style="list-style-type: none"> <li>CIGUEÑAL COMPLETO 0/229.001.0005 (u. 1)</li> </ul>
681	<ul style="list-style-type: none"> <li>JUEGO DE SEGMENTOS 0/229.001.0006 (u. 1)</li> </ul>
917	<ul style="list-style-type: none"> <li>EJE BALANCE 0/229.000.0024 (u. 1)</li> </ul>
4060	<ul style="list-style-type: none"> <li>PIÑÓN CONTRA ARBOL CIGUEÑAL 0/229.000.0053 (u. 1)</li> </ul>
4061	<ul style="list-style-type: none"> <li>PIÑÓN CONTRA ARBOL EJE BALANCE 0/229.000.0054 (u. 1)</li> </ul>
5142	<ul style="list-style-type: none"> <li>RODAMIENTO 1 0/229.001.0014 (u. 1)</li> </ul>
5143	<ul style="list-style-type: none"> <li>RODAMIENTO 17x40x12 0/229.000.0070 (u. 2)</li> </ul>
5670	<ul style="list-style-type: none"> <li>BULON PISTON 0/229.000.0093 (u. 1)</li> </ul>
9323	<ul style="list-style-type: none"> <li>CIRCLIP 0/226.001.0018 (u. 2)</li> </ul>
49009	<ul style="list-style-type: none"> <li>KEY, STRAIGHT 0/226.001.0019 (u. 1)</li> </ul>
49015	<ul style="list-style-type: none"> <li>CHAVETA 13x3x5 0/229.000.0117 (u. 1)</li> </ul>
49049	<ul style="list-style-type: none"> <li>TUERCA M10 0/229.000.0119 (u. 1)</li> </ul>
49124	<ul style="list-style-type: none"> <li>ARANDELA PIÑÓN CONTRA ARBOL EJE BALANCE 0/229.000.0124 (u. 1)</li> </ul>

<b>49216</b>	• CASQUILLO EJE BALANCE 0/229.000.0127 (u. 1)
--------------	--



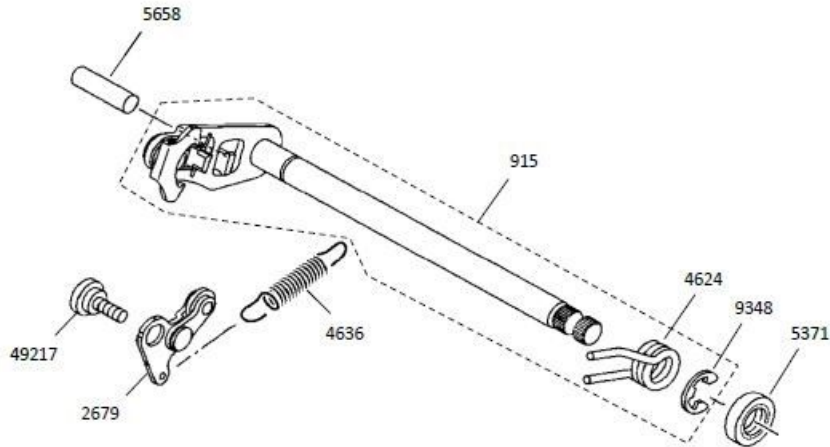
**CYLINDER HEAD**



19	● CILINDRO Ø52 0/229.000.0004 (u. 1)
77	● CULATA CILINDRO COMPLETA 0/229.000.0006 (u. 1)
111	● BUJIA 0/229.001.0004 (u. 1)
2121	● TAPA CULATA CILINDRO 0/229.000.0028 (u. 1)
5114	● GUIA VALVULA ADMISION 0/229.000.0067 (u. 4)
5320	● JUNTA DE CILINDRO 0/229.001.0015 (u. 1)
5350	● JUNTA CULATA 0/229.001.0016 (u. 1)
5355	● JUNTA COLECTOR 0/229.000.0079 (u. 1)
5370	● JUNTA TAPA CULATA 0/229.001.0030 (u. 1)
5614	● CASQUILLO 10x14x8,5 0/229.000.0085 (u. 4)
5620	● CASQUILLO CENTRADOR TAPA CULATA 0/005.560.2670 (u. 1)
5687	● PASADOR CILINDRO 0/229.000.0095 (u. 1)
49085	● ANTIVIBRACION CULATA 0/229.000.0122 (u. 2)
49150	● ARANDELA PLANA Ø18X8.2X1.6 0/229.000.0125 (u. 4)

<b>49297</b>	<ul style="list-style-type: none"><li>● TORNILLO M6x10 0/229.000.0134 (u. 2)</li></ul>
<b>49305</b>	<ul style="list-style-type: none"><li>● TORNILLO M6x100 0/229.000.0135 (u. 2)</li></ul>
<b>49384</b>	<ul style="list-style-type: none"><li>● BOLT, FLANGE 95022-06030 (u. 4)</li></ul>
<b>49405</b>	<ul style="list-style-type: none"><li>● ARANDELA 6x11x1 0/229.000.0148 (u. 2)</li></ul>
<b>49468</b>	<ul style="list-style-type: none"><li>● TAPA INTERIOR INFERIOR TAPA BALANCINES 0/229.000.0152 (u. 4)</li></ul>
<b>49472</b>	<ul style="list-style-type: none"><li>● TORNILLO CILINDRO M8x1.25 L=200 0/229.000.0155 (u. 2)</li></ul>
<b>49473</b>	<ul style="list-style-type: none"><li>● TORNILLO CILINDRO M8x1.25 L=155 0/229.000.0156 (u. 2)</li></ul>
<b>53119</b>	<ul style="list-style-type: none"><li>● TAPA INTERIOR SUPERIOR TAPA BALANCINES 0/229.000.0167 (u. 1)</li></ul>
<b>53524</b>	<ul style="list-style-type: none"><li>● RETEN 18x6,8x6 0/229.000.0181 (u. 1)</li></ul>

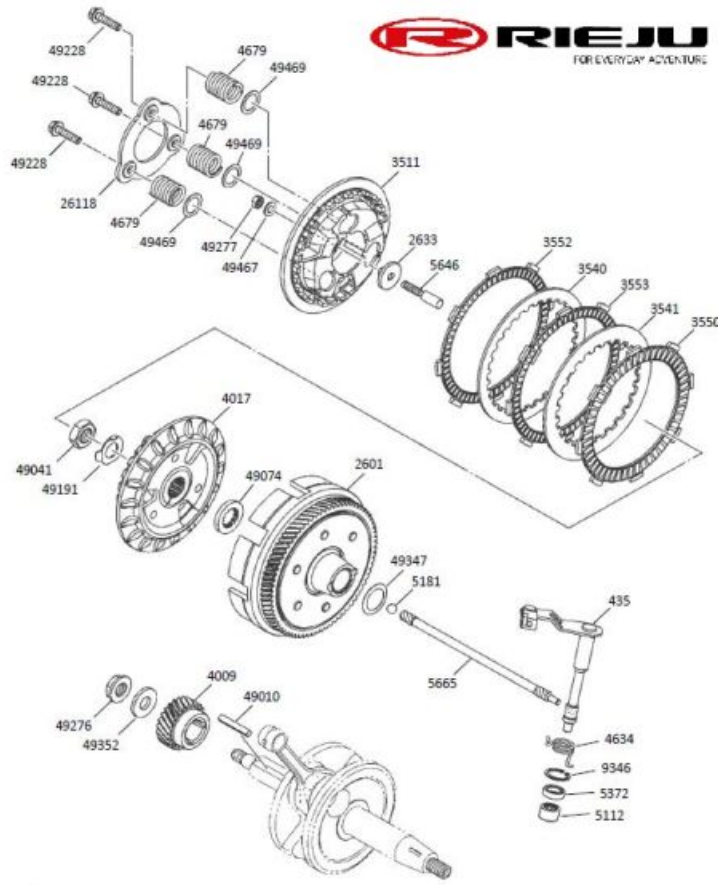
## SELECTOR SHIFT



915	● EJE SELECTOR COMPLETO 0/229.000.0023 (u. 1)	
2679	● PALANCA DE TOPE SELECTOR 0/229.000.0037 (u. 1)	
4624	● SPRG., TORSION 0/226.010.0007 (u. 1)	<b>OBSOLETE</b>
4636	● MUELLE SELECTOR CAMBIO 0/229.000.0061 (u. 1)	
5371	● RETEN ACEITE EJE SELECTOR 12x22x5 0/229.000.0082 (u. 1)	
5658	● CENTRADOR MUELLE SELECTOR 0/229.000.0091 (u. 1)	
9348	● ANILLO EJE SELECTOR 0/229.000.0105 (u. 1)	
49217	● TORNILLO PALANCA TOPE SELECTOR 0/229.000.0128 (u. 1)	

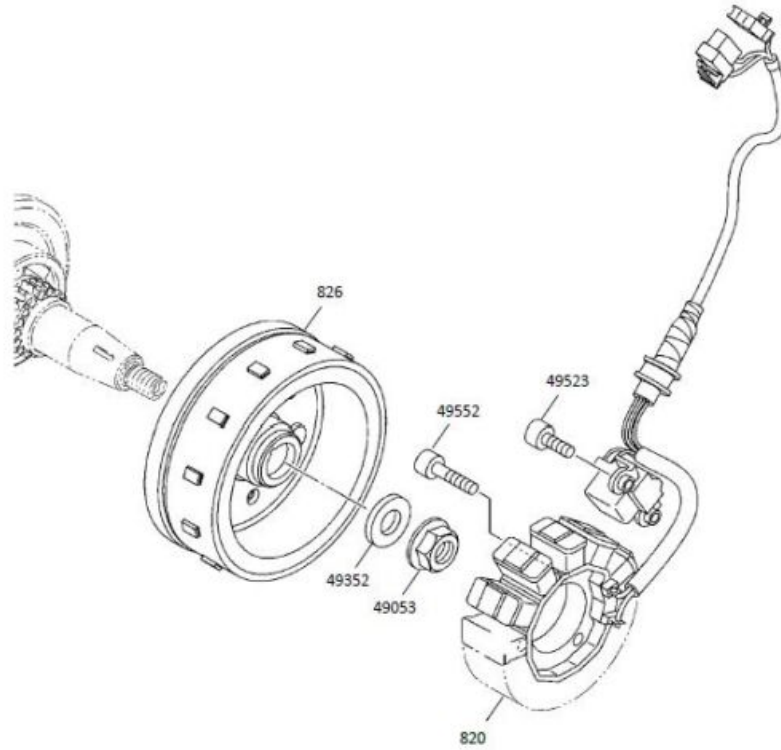


**CLUTCH**



435	● LEVA DE EMBRAGUE 0/229.000.0015 (u. 1)
2601	● CAMPANA EMBRAGUE 0/229.008.0033 (u. 1)
2633	● PLATINA EMBRAGUE 0/229.000.0035 (u. 1)
3511	● DISCO FINAL TAPA EMBRAGUE 0/229.000.0040 (u. 1)
3540	● DISCO SEPARADOR EMBRAGUE n1 0/229.000.0041 (u. 1)
3541	● JUEGO DISCOS EMBRAGUE v.2 0/229.008.0032 (u. 1)
3550	● DISCO FRICCION n1 0/229.000.0042 (u. 1)
3552	● DISCO FRICCION n2 0/229.008.0031 (u. 1)
3553	● DISCO FRICCION n3 0/229.000.0043 (u. 1)
4009	● PIÑÓN MOTOR Z=24 0/229.000.0044 (u. 1)
4017	● TAMBOR EMBRAGUE 0/229.008.0010 (u. 1)
4634	● MUELLE RETORNO EMBRAGUE 0/229.000.0060 (u. 1)
4679	● MUELLE RETORNO EMBRAGUE 0/229.008.0011 (u. 3)
5181	● BOLA FINAL EJE EMPUJE 0/229.000.0073 (u. 1)

5372	● OIL SEAL 0/226.008.0016 (u. 1)	
5646	● EJE EMPUJE FRICCION 0/229.000.0090 (u. 1)	
5665	● EJE INTERNO CUBO EMBRAGUE 0/229.000.0092 (u. 1)	
9346	● CIRCLIP 0/226.008.0019 (u. 1)	<b>OBSOLETE</b>
26118	● PLETINA FIJACION MUELLES EMBRAGUE 0/229.000.0114 (u. 1)	
49010	● KEY,FEATHER 0/226.008.0020 (u. 1)	
49041	● TUERCA M14 0/229.000.0118 (u. 1)	
49074	● ARANDELA CAMPANA EMBRAGUE 0/229.000.0121 (u. 1)	
49191	● ARANDELA SEGURIDAD TUERCA EMBRAGUE 0/229.000.0126 (u. 1)	
49228	● TORNILLO SUJECION MUELLE EMBRAGUE 0/229.000.0129 (u. 1)	
49276	● NUT 0/226.008.0026 (u. 1)	
49277	● TUERCA DISCO FINAL TAPA EMBRAGUE 0/229.000.0133 (u. 1)	
49347	● WASHER CONICAL SPRING 0/226.008.0028 (u. 1)	
49352	● ARANDELA 12x27x3 0/229.000.0146 (u. 1)	
49467	● ARANDELA DISCO FINAL TAPA EMBRAGUE 0/229.000.0151 (u. 1)	
49469	● ARANDELA MUELLE CAMPANA EMBRAGUE 0/229.000.0153 (u. 3)	

**MAGNETIC FLYWHEEL**


**820** ● BASE STATOR CON BOBINAS  
0/229.011.0004 (u. 1)

**826** ● ROTOR VOLANTE  
0/229.011.0005 (u. 1)

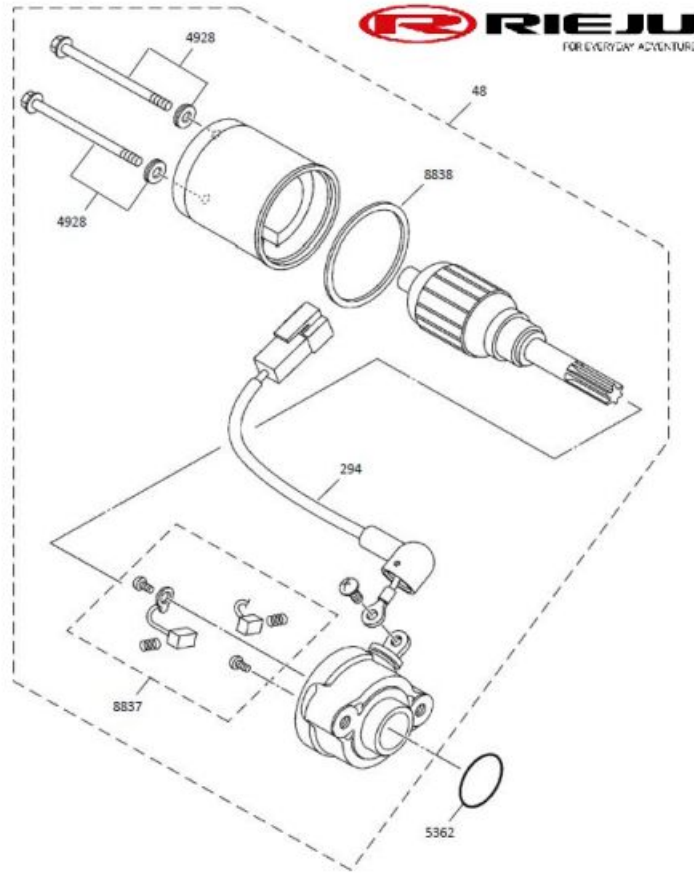
**49053** ● TUERCA M12 CON ARANDELA  
0/229.000.0120 (u. 1)

**49352** ● ARANDELA 12x27x3  
0/229.000.0146 (u. 1)

**49523** ● TORNILLO M6x16  
0/229.000.0161 (u. 1)

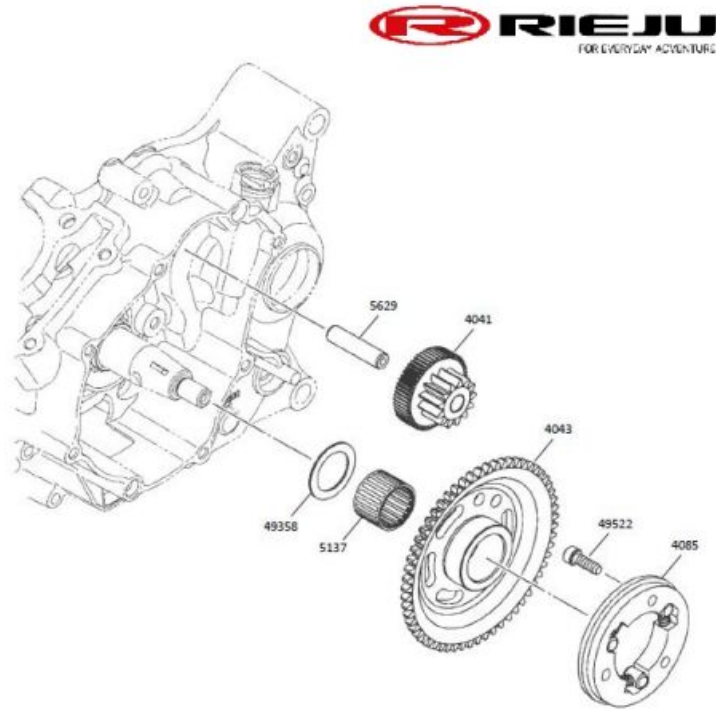
**49552** ● TORNILLO M6x25  
0/229.000.0163 (u. 1)

**START ENGINE**



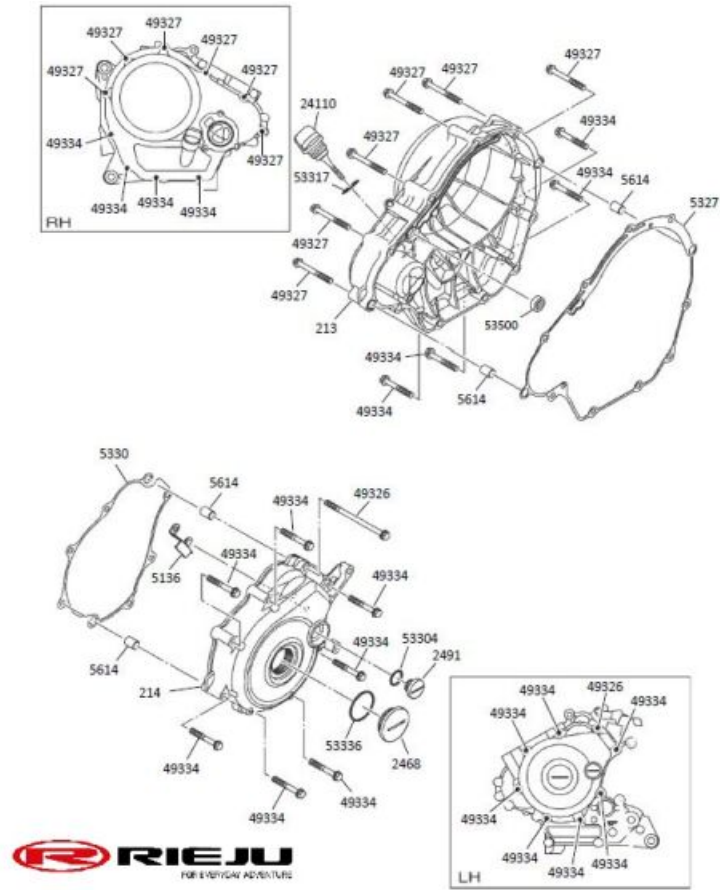
48	<ul style="list-style-type: none"> <li>MOTOR ARRANQUE</li> <li>0/229.011.0001 (u. 1)</li> </ul>
294	<ul style="list-style-type: none"> <li>INSTALACION MOTOR ARRANQUE</li> <li>0/229.000.0011 (u. 1)</li> </ul>
4928	<ul style="list-style-type: none"> <li>TORNILLO MOTOR ARRANQUE</li> <li>0/229.000.0062 (u. 1)</li> </ul>
5362	<ul style="list-style-type: none"> <li>ANILLO SELLADO MOTOR ARRANQUE</li> <li>0/229.000.0080 (u. 1)</li> </ul>
8837	<ul style="list-style-type: none"> <li>SET INTERNO PIEZAS BOMBA AGUA</li> <li>0/229.000.0097 (u. 1)</li> </ul>
8838	<ul style="list-style-type: none"> <li>JUNTA MOTOR ARRANQUE</li> <li>0/229.000.0098 (u. 1)</li> </ul>

**STARTER SYSTEM**



4041	<ul style="list-style-type: none"> <li>GEAR, 2 0/226.007.0001 (u. 1)</li> </ul>
4043	<ul style="list-style-type: none"> <li>PIÑON 6a ARBOL SECUNDARIO 0/229.000.0052 (u. 1)</li> </ul>
4085	<ul style="list-style-type: none"> <li>RUEDA LIBRE COMPLETA 0/229.007.0003 (u. 1)</li> </ul>
5137	<ul style="list-style-type: none"> <li>RODAMIENTO AGUJA 30x25x19,8 0/229.000.0069 (u. 1)</li> </ul>
5629	<ul style="list-style-type: none"> <li>EJE SOPORTE INTERMEDIO 0/229.000.0086 (u. 1)</li> </ul>
49358	<ul style="list-style-type: none"> <li>SILVER WASHER D25 0/226.007.0010 (u. 1)</li> </ul>
49522	<ul style="list-style-type: none"> <li>TORNILLO M6x20 0/229.000.0160 (u. 1)</li> </ul>

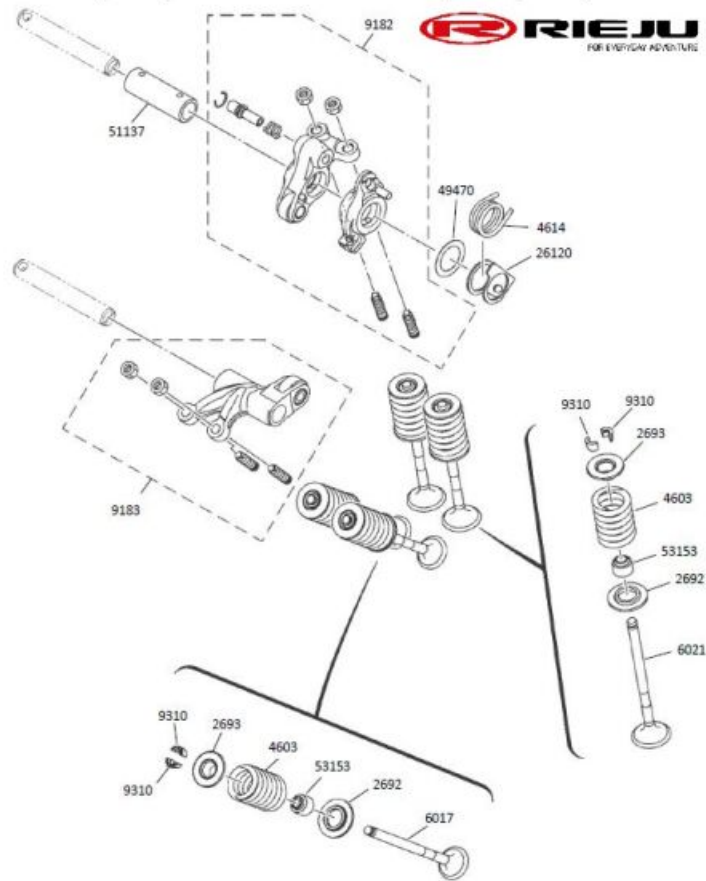
**COVERS**



213	●	TAPA EMBRAGUE 0/229.000.0008 (u. 1)	
214	●	TAPA VOLANTE 0/229.000.0009 (u. 1)	
2468	●	TAPON DRENAJE ACEITE 1 0/229.000.0033 (u. 1)	
2491	●	TAPON DRENAJE ACEITE 2 0/229.000.0034 (u. 1)	
5136	●	SOPORTE FIJACION CABLES 0/229.000.0068 (u. 1)	
5327	●	GSKT, CRANKCASE COVER 3 0/226.006.0005 (u. 1)	
	●	GSKT, CRANKCASE COVER 3 0/226.006.0005 (u. 1)	
	●	JUNTA TAPA EMBRAGUE EURO4 0/000.490.5007 (u. 1)	<b>OBSOLETE</b>
5330	●	JUNTA TAPA VOLANTE 0/229.006.0006 (u. 1)	
5614	●	CASQUILLO 10x14x8,5 0/229.000.0085 (u. 4)	
24110	●	TAPON NIVEL ACEITE 0/229.006.0007 (u. 1)	
49326	●	TORNILLO M6x90 0/229.000.0139 (u. 1)	
49327	●	TORNILLO M6x50 0/229.000.0140 (u. 7)	
49334	●	TORNILLO M6x40 0/229.000.0143 (u. 11)	

<b>53304</b>	<ul style="list-style-type: none"><li>● JUNTA TORICA TAPON ACEITE 0/229.000.0172 (u. 1)</li></ul>
<b>53317</b>	<ul style="list-style-type: none"><li>● ANILLO 19X2.4 0/229.006.0016 (u. 1)</li></ul>
<b>53336</b>	<ul style="list-style-type: none"><li>● JUNTA TORICA TAPON ACEITE 0/229.000.0175 (u. 1)</li></ul>
<b>53500</b>	<ul style="list-style-type: none"><li>● RETEN ACEITE 0/229.003.0017 (u. 1)</li></ul>

**VALVES**



2692	● CASQUILLO RESORTE VALVULA INFERIOR 0/229.000.0038 (u. 1)
2693	● CASQUILLO RESORTE VALVULA SUPERIOR 0/229.000.0039 (u. 1)
4603	● MUELLE VALVULA 0/229.000.0057 (u. 1)
4614	● MUELLE BALANCIN 0/229.000.0058 (u. 1)
6021	● VALVULA ADMISION 0/229.002.0010 (u. 1)
9182	● BRAZO BALANCIN COMPLETO 1 0/229.000.0101 (u. 1)
9183	● BRAZO BALANCIN COMPLETO 2 0/229.000.0102 (u. 1)
9310	● SEGURO VALVULA 0/229.000.0103 (u. 2)
26120	● PLATINA FIJACION MUELLE BALANCIN 0/229.000.0116 (u. 1)
49470	● ARANDELA BALANCIN Ø21x15x2.3 0/229.000.0154 (u. 1)
51137	● EJE BALANCIN 0/229.000.0166 (u. 1)
53153	● RETEN ACEITE VALVULA 0/229.002.0028 (u. 1)