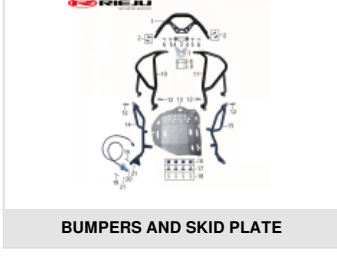
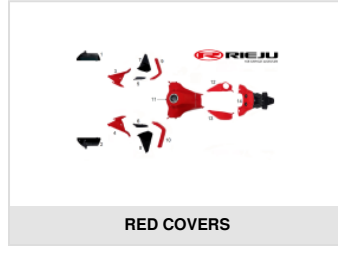
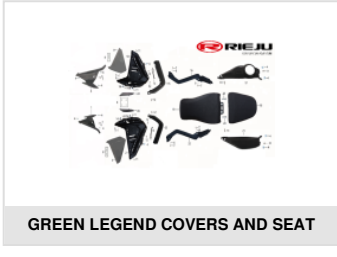
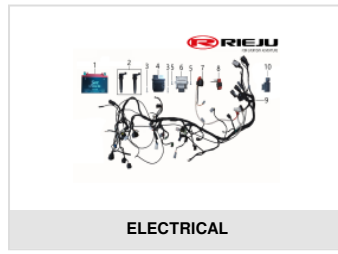
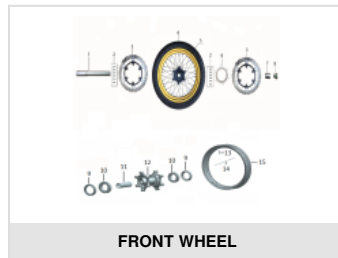
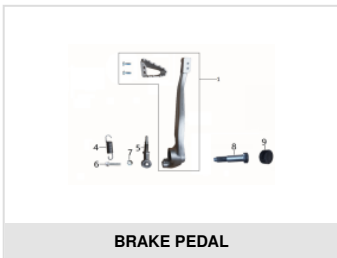
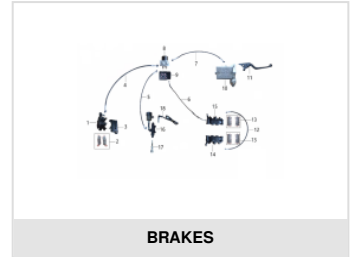
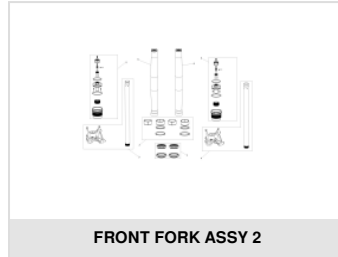
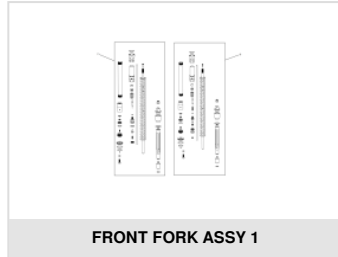
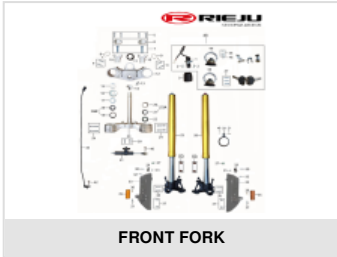
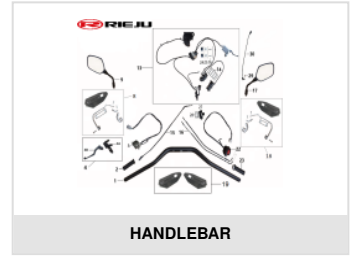
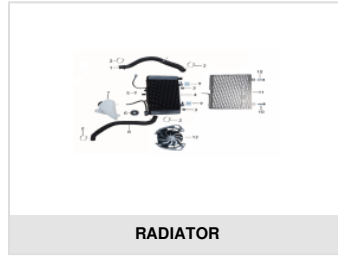
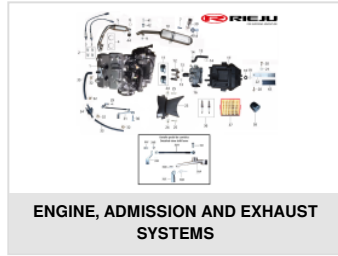
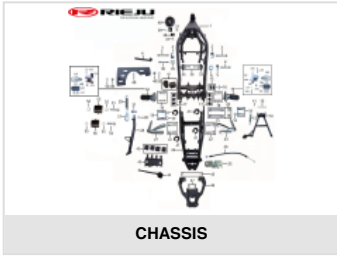
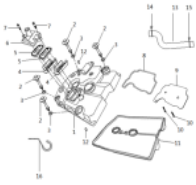




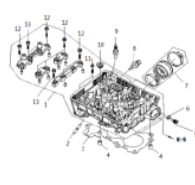
AVENTURA 500 AVENTURA 500 ROJA 2023

Exploded

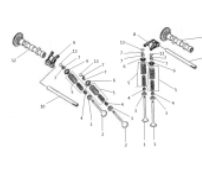




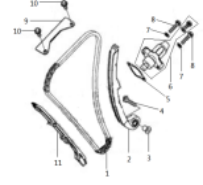
CYLINDER HEAD COVER



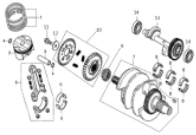
CYLINDER HEAD



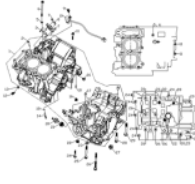
VALVES



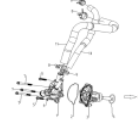
TENSIONER CAM CHAIN



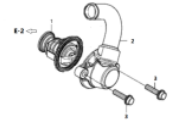
CRANKSHAFT AND PISTON



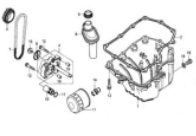
CRANCKCASE



COOLANT PUMP



THERMOSTAT



LUBRICATION SYSTEM



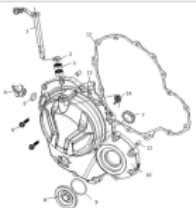
GENERATOR COVER



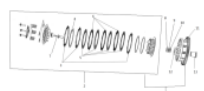
GENERATOR



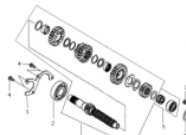
STARTER MOTOR



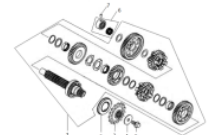
CLUTCH COVER



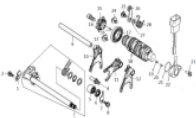
CLUTCH



MAIN SHAFT

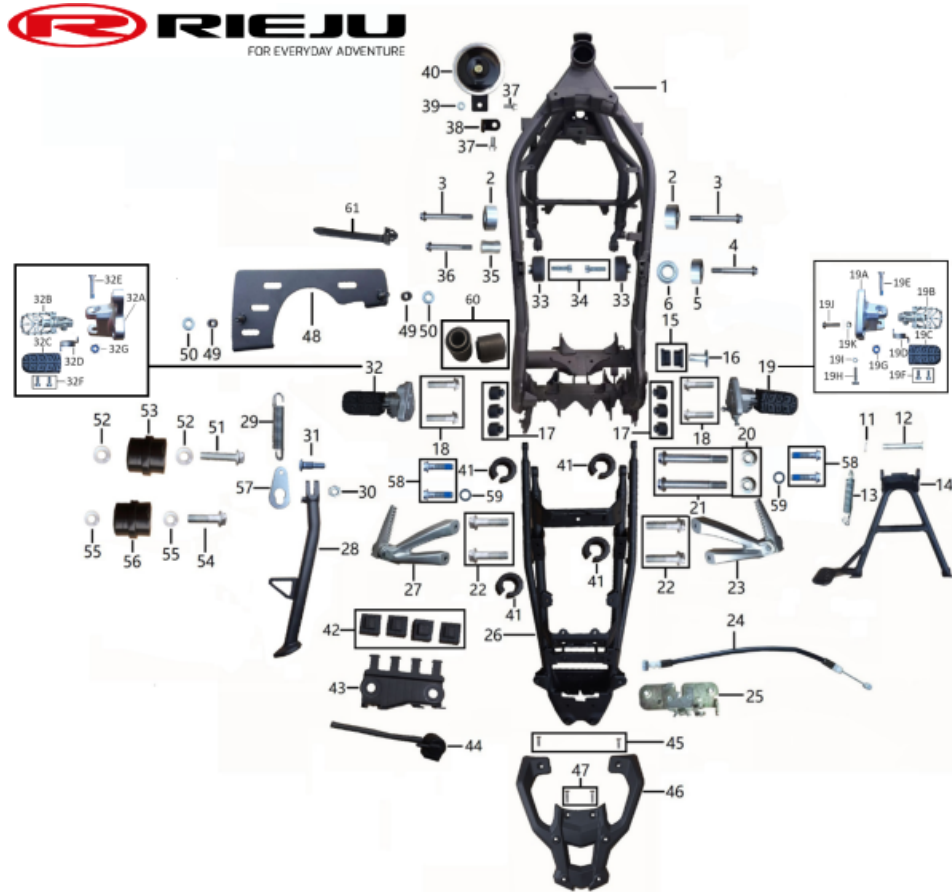


SECONDARY SHAFT



GEAR SHIFT

CHASSIS



1	● CHASIS AVENTURA 500 0/000.010.4401 (u. 1)
2	● RODAMIENTO Ø10xØ24x10 0/000.960.4403 (u. 1)
3	● TORNILLO HEXAGONAL M10x85 0/000.460.4423 (u. 1)
4	● TORNILLO HEXAGONAL M10x60 0/000.460.4424 (u. 1)
5	● RODAMIENTO Ø10xØ24x8 0/000.960.4404 (u. 1)
6	● TUERCA CON ARANDELA M10 0/000.340.4410 (u. 1)
11	● CHAVETA Ø2,5x30 0/005.490.4401 (u. 1)
12	● EJE CABALLETE CENTRAL 0/000.190.4402 (u. 1)
13	● MUELLE CABALLETE CENTRAL 0/000.470.4401 (u. 1)
14	● CABALLETE CENTRAL 0/000.210.4401 (u. 1)
15	● GOMA SILENTBLOCK 0/000.360.4423 (u. 2)
16	● CASQUILLO SILENCIADOR 0/000.480.4419 (u. 1)
17	● GOMA SOPORTE DEPOSITO 0/000.360.4405 (u. 6)
18	● TORNILLO HEXAGONAL M8x30 0/000.460.4413 (u. 4)

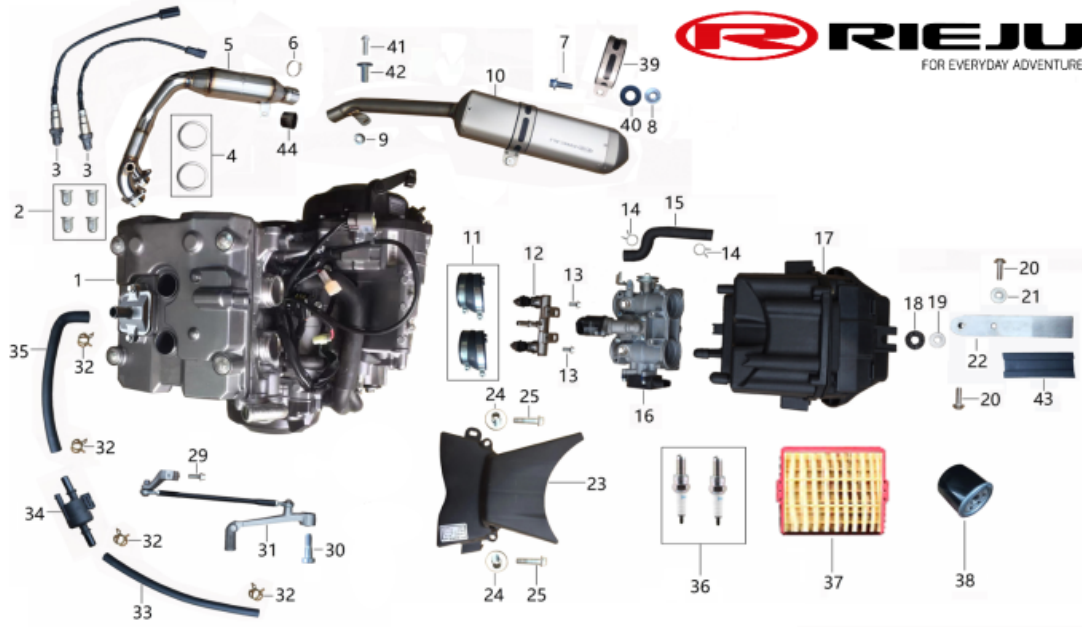
19I	● TUERCA M6 0/000.340.4405 (u. 1)
19K	● TUERCA M6 0/000.340.4405 (u. 1)
19J	● TORNILLO HEX. M6x30 CABEZA 8 0/000.460.0223 (u. 1)
19H	● TORNILLO M6x25 0/000.460.4518 (u. 1)
19C	● GOMA ESTRIBERA AV 500 0/000.360.4437 (u. 1)
19	● ESTRIBERA PILOTO RH 0/000.740.4401 (u. 1)
19F	● TORNILLO GOMA ESTRIBERA M6x8 0/000.460.4517 (u. 2)
19E	● TORNILLO PASADOR ESTRIBERA 0/000.460.4516 (u. 1)
19G	● TUERCA M10 0/000.340.4411 (u. 1)
19A	● SOPORTE ESTRIBERA RH 0/000.980.4436 (u. 1)
19B	● ESTRIBERA RH AV 500 0/000.740.4406 (u. 1)
19D	● MUELLE ESTRIBERA RH 0/000.470.4410 (u. 1)
20	● TUERCA M6 0/000.340.4405 (u. 2)
21	● TORNILLO HEXAGONAL M10x148 0/000.460.4425 (u. 2)
22	● TORNILLO HEXAGONAL M8x25 0/000.460.4426 (u. 4)
23	● ESTRIBERA PASAJERO RH CON SOPORTE 0/000.740.4402 (u. 1)
24	● CABLE CIERRE SILLIN 0/000.550.4403 (u. 1)
26	● SUBCHASIS 0/000.010.4402 (u. 1)
27	● ESTRIBERA PASAJERO LH CON SOPORTE 0/000.740.4403 (u. 1)
28	● CABALLETE LATERAL 0/000.210.4402 (u. 1)
29	● MUELLE CABALLETE LATERAL 0/000.470.4402 (u. 1)
30	● TUERCA M8 0/000.340.4425 (u. 1)
31	● TORNILLO CABALLETE LATERAL M10x35 0/000.460.4435 (u. 1)
32F	● TORNILLO GOMA ESTRIBERA M6x8 0/000.460.4517 (u. 2)
32G	● TUERCA M10 0/000.340.4411 (u. 1)
32C	● GOMA ESTRIBERA AV 500 0/000.360.4437 (u. 1)
32E	● TORNILLO PASADOR ESTRIBERA 0/000.460.4516 (u. 1)
32A	● SOPORTE ESTRIBERA LH 0/000.980.4435 (u. 1)

32D	● MUELLE ESTRIBERA LH 0/000.470.4409 (u. 1)
32B	● ESTRIBERA LH 0/000.740.4405 (u. 1)
32	● ESTRIBERA PILOTO LH 0/000.740.4404 (u. 1)
33	● GOMAS LOCALIZADOR DEPOSITO GASOLINA DELANTERO 0/000.360.4411 (u. 2)
34	● TORNILLO M8x25 0/000.460.4434 (u. 2)
35	● RODAMIENTO Ø10xØ22x30 0/000.960.4405 (u. 1)
36	● TORNILLO HEXAGONAL M10x75 0/000.460.4432 (u. 1)
37	● TORNILLO HEXAGONAL M6x16 0/000.460.4433 (u. 2)
38	● SOPORTE CLAXON 0/000.980.4410 (u. 1)
39	● TUERCA M6 0/000.340.4405 (u. 1)
40	● CLAXON 0/000.420.4401 (u. 1)
41	● GOMA AMORTIGUACION DEPOSTIO GASOLINA 0/000.360.4407 (u. 4)
42	● FUNDA GOMA RELES 0/000.360.4408 (u. 4)
43	● SOPORTE RELES 0/000.980.4411 (u. 1)
44	● VALVULA VACIADORA CAJA FILTRO 0/000.640.4403 (u. 1)
45	● TORNILLO TORX M8x30 0/000.460.4436 (u. 2)
46	● ASIDERO 0/000.980.4412 (u. 1)
47	● TORNILLO TORX M8x25 0/000.460.4437 (u. 2)
48	● SOPORTE DEPOSITO TRASERO 0/000.980.4433 (u. 1)
49	● SILENTBLOCK SOPORTE DEPOSITO TRASERO 0/000.360.4436 (u. 2)
50	● TUERCA M8 0/000.340.4412 (u. 2)
51	● TORNILLO GB/T5787 M8x45 0/000.460.4513 (u. 1)
52	● REAR CHASSIS ATTACHMENT WASHER 0/000.440.0160 (u. 2)
53	● RODILLO GUIA CADENA SUPERIOR 0/000.710.4403 (u. 1)
54	● TORNILLO GB/T5787 M10x40 0/000.460.4514 (u. 1)
55	● ARANDELA PLANA M10 0/000.440.4412 (u. 2)
56	● RODILLO GUIA CADENA INFERIOR 0/000.710.4404 (u. 1)
57	● SOPORTE RETORNO MUELLE CABALLETE 0/000.980.4434 (u. 1)

OBSOLETE

58	•	TORNILLO GB/T5787 M10x40x1.5 0/000.460.4515 (u. 4)
59	•	ARANDELA GB93 Ø10 0/000.440.4429 (u. 2)
60	•	SILENTBLOCK CAHSIS AVENTURA 500 0/000.360.4438 (u. 2)
61	•	ABRAZADERA CLIP AV 500 0/000.680.4414 (u. 2)

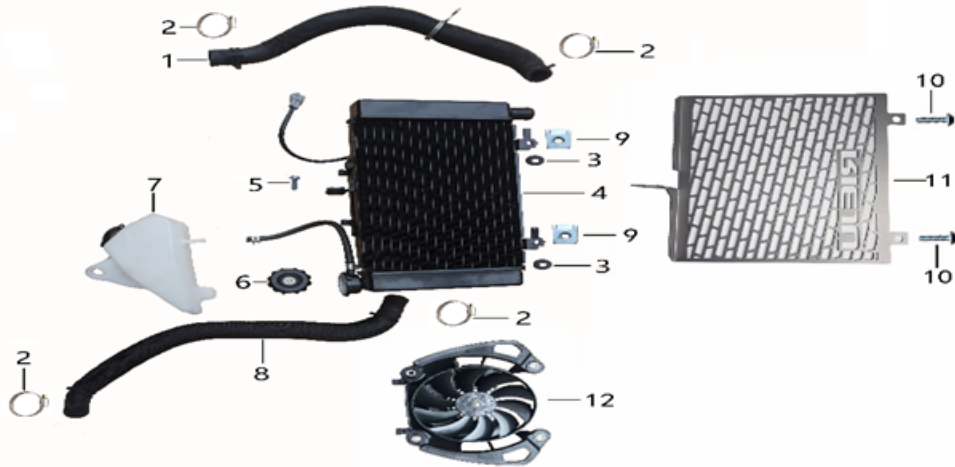
ENGINE, ADMISSION AND EXHAUST SYSTEMS



1	<ul style="list-style-type: none"> MOTOR AVENTURA 500 0/005.082.4401 (u. 1)
2	<ul style="list-style-type: none"> TUERCA CIEGA M8 0/000.340.4401 (u. 4)
3	<ul style="list-style-type: none"> SENSOR LAMBDA 0/001.010.4402 (u. 2)
4	<ul style="list-style-type: none"> JUNTA ESCAPE 0/000.490.4401 (u. 2)
5	<ul style="list-style-type: none"> TUBO ESCAPE AVENTURA 500 0/000.290.4401 (u. 1)
6	<ul style="list-style-type: none"> ABRAZADERA 304SS 48-51mm 0/000.680.4405 (u. 1)
7	<ul style="list-style-type: none"> TORNILLO HEXAGONAL M8x25 0/000.460.4419 (u. 2)
8	<ul style="list-style-type: none"> ARANDELA PLANA M8 0/000.440.4407 (u. 2)
9	<ul style="list-style-type: none"> TUERCA CON ARANDELA M8 0/000.340.4409 (u. 1)
10	<ul style="list-style-type: none"> PETACA AVENTURA 500 0/000.870.4401 (u. 1)
11	<ul style="list-style-type: none"> TUBERA ADMISION 0/000.360.4404 (u. 2)
12	<ul style="list-style-type: none"> INYECTOR 0/005.158.4401 (u. 1)
13	<ul style="list-style-type: none"> TORNILLO TORX CONICO M6x12 0/000.460.4421 (u. 2)
14	<ul style="list-style-type: none"> ABRAZADERA CLIP TUBO ACEITE 0/000.680.4406 (u. 1)

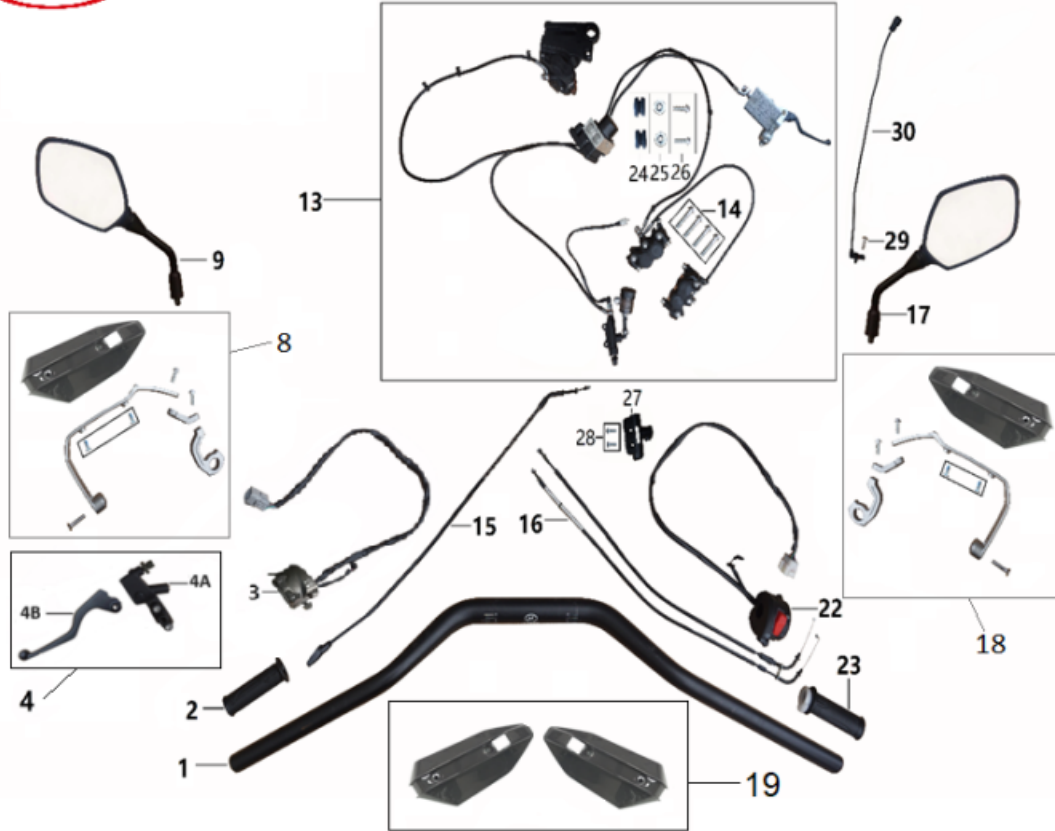
15	●	TUBO ACEITE MOTOR 0/000.290.4402 (u. 1)
16	●	CUERPO INYECCION AVENTURA 500 0/005.158.4402 (u. 1)
17	●	CAJA FILTRO COMPLETA 0/000.910.4401 (u. 1)
18	●	GOMA SILENTBLOCK 0/000.360.4410 (u. 1)
19	●	ARANDELA PLANA M6 0/000.440.4402 (u. 1)
20	●	TORNILLO HEXAGONAL TORX M6x20 0/000.460.4411 (u. 2)
21	●	CASQUILLO Ø6x10 0/000.480.4402 (u. 1)
22	●	SOPORTE BATERIA 0/000.980.4419 (u. 1)
23	●	PROTECTOR MOTOR 0/000.220.4411 (u. 1)
24	●	CASQUILLO Ø6x12 0/000.480.4403 (u. 2)
25	●	TORNILLO HEXAGONAL M6x20 0/000.460.4405 (u. 2)
29	●	TORNILLO HEXAGONAL M6x20 0/000.460.4405 (u. 1)
30	●	PERNO M8x30 0/000.460.4452 (u. 1)
31I	●	TORNILLO CONICO ALLEN M6x25 0/000.460.4410 (u. 1)
31H	●	EJE PALANCA CAMBIO ACTUADOR 0/000.190.4413 (u. 1)
31G	●	TUERCA M6 PEDAL CAMBIO 0/000.340.4426 (u. 1)
31F	●	TORNILLO CONICO ALLEN M6x16 0/000.460.4406 (u. 1)
31	●	CJTO. PALANCA CAMBIO 0/005.430.4401 (u. 1)
31A	●	CUERPO PALANCA CAMBIO 0/005.430.4404 (u. 1)
31B	●	MUELLE RETORNO PEDAL CAMBIO 0/000.470.4408 (u. 1)
31C	●	PUNTERA PADAL CAMBIO 0/005.430.4405 (u. 1)
31E	●	ACTUADOR PEDAL CAMBIO 0/005.430.4406 (u. 1)
31D	●	PASADOR PEDAL CAMBIO 0/000.190.4412 (u. 1)
32	●	ABRAZADERA CLIP TUBO ACEITE 0/000.680.4407 (u. 4)
33	●	TUBO CONECTOR VALVULA AIS A 0/000.290.4410 (u. 1)
34	●	VALVULA AIS 0/000.640.4404 (u. 1)
35	●	TUBO CONECTOR VALVULA AIX B 0/000.290.4411 (u. 1)
36	●	BUJIA AVENTURA 500 0/005.110.4401 (u. 2)

37	<ul style="list-style-type: none">FILTRO AIRE 0/001.070.4401 (u. 1)
38	<ul style="list-style-type: none">FILTRO ACEITE 0/001.070.4402 (u. 1)
39	<ul style="list-style-type: none">ABRAZADERA SUJECION SILENCIOSO 0/000.680.4415 (u. 1)
40	<ul style="list-style-type: none">SILENTBLOCK SUJECION SILENCIOSO 0/000.360.4434 (u. 1)
41	<ul style="list-style-type: none">TORNILLO SUJECION SILENCIOSO M8x50 0/000.460.4512 (u. 1)
42	<ul style="list-style-type: none">CASQUILLO SUJECION SILENCIOSO 0/000.480.4428 (u. 1)
43	<ul style="list-style-type: none">GOMA FIJACION BATERIA 0/000.360.4435 (u. 1)
44	<ul style="list-style-type: none">DOLLA GRAFITO AVENTURA 500 0/000.260.4401 (u. 1)

RADIATOR


1	<ul style="list-style-type: none"> TUBO AGUA ENTRADA MOTOR 0/000.290.4408 (u. 1)
2	<ul style="list-style-type: none"> ABRAZADERA Ø29 0/000.680.4409 (u. 1)
3	<ul style="list-style-type: none"> GOMA SILENTBLOCK 0/000.360.4420 (u. 1)
4	<ul style="list-style-type: none"> RADIADOR 0/000.580.4401 (u. 1)
5	<ul style="list-style-type: none"> TORNILLO HEXAGONAL M6x16 0/000.460.4417 (u. 1)
6	<ul style="list-style-type: none"> TAPON RADIADOR 0/000.410.4401 (u. 1)
7	<ul style="list-style-type: none"> VASO EXPANSOR 0/000.030.4404 (u. 1)
8	<ul style="list-style-type: none"> TUBO AGUA ENTRADA RADIADOR 0/000.290.4409 (u. 1)
9	<ul style="list-style-type: none"> TUERCA RAPIDA M6 0/000.340.4404 (u. 2)
10	<ul style="list-style-type: none"> TORNILLO TORX M6x16 0/000.460.4460 (u. 2)
11	<ul style="list-style-type: none"> REJILLA PROTECTOR RADIADOR 0/000.220.4414 (u. 1)
12	<ul style="list-style-type: none"> ELECTROVENTILADOR 0/005.060.4401 (u. 1)

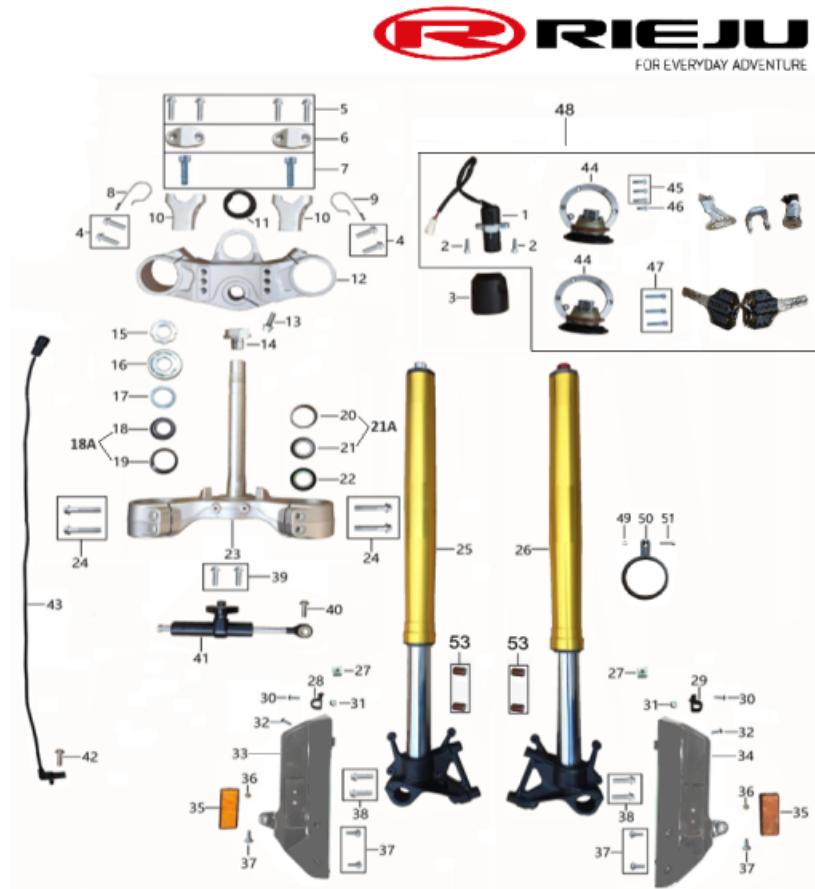
HANDLEBAR



1	●	MANILLAR 0/000.170.4401 (u. 1)
2	●	PUÑO GOMA LH 0/000.530.4401 (u. 1)
3	●	CONMUTADOR LUCES LH 0/000.720.4401 (u. 1)
4B	●	MANETA DE EMBRAGUE 0/000.830.4403 (u. 1)
4A	●	SOPORTE MANETA EMBRAGUE 0/000.980.4432 (u. 1)
4	●	MANETA EMBRAGUE COMPLETA 0/000.830.4401 (u. 1)
8	●	CJTO. PARAMANOS LH AVENTURA 500 0/K00.220.4401 (u. 1)
9	●	ESPEJO RETROVISOR LH 0/000.990.4401 (u. 1)
13	●	CONJUNTO ABS AVENTURA 500 0/000.820.4401 (u. 1)
14	●	TORNILLO HEXAGONAL M10x60 0/000.460.4404 (u. 4)
15	●	CABLE EMBRAGUE 0/000.550.4401 (u. 1)
16	●	CABLE GAS 0/000.550.4402 (u. 1)
17	●	ESPEJO RETROVISOR RH 0/000.990.4402 (u. 1)
18	●	CJTO. PARAMANOS RH AVENTURA 500 0/K00.220.4402 (u. 1)

19	● CJTO PALSTICOS PARAMANOS AVENTURA 500 0/K00.220.4403 (u. 1) - <i>Paramanos negros sin tornillería</i>
22	● CONMUTADOR LUCES RH 0/000.720.4402 (u. 1)
23	● PUÑO GOMA CON CAÑA GAS 0/000.530.4402 (u. 1)
24	● GOMA SILENTBLOCK Ø18xØ9x9 0/000.360.4401 (u. 2)
25	● CASQUILLO Ø6 0/000.440.4401 (u. 2)
26	● TORNILLO HEXAGONAL M6x20 0/000.460.4405 (u. 2)
27	● PROTECTOR BOMBA FRENO TRASERO 0/000.220.4403 (u. 1)
28	● TORNILLO CONICO ALLEN M6x16 0/000.460.4406 (u. 2)
29	● TORNILLO M6x20 0/000.460.4427 (u. 1)
30	● SENSOR ABS 0/001.010.4403 (u. 1)

FRONT FORK

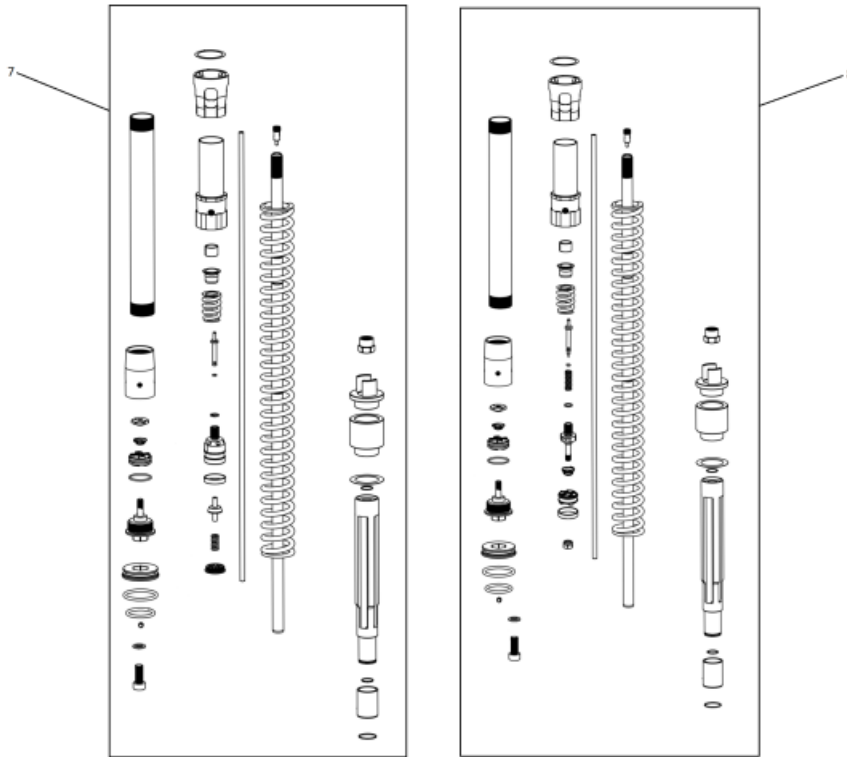


	<ul style="list-style-type: none"> ● SCREW M8X25 0/000.460.0345 (u. 2) 	
2	<ul style="list-style-type: none"> ● TORNILLO CILINDRICO HEXAGONAL M8x25 0/000.460.4412 (u. 2) 	OBSOLETE
3	<ul style="list-style-type: none"> ● PROTECTOR INFERIOR CLAUSOR 0/000.220.4405 (u. 1) 	
4	<ul style="list-style-type: none"> ● TORNILLO HEXAGONAL M8x30 0/000.460.4413 (u. 4) 	
5	<ul style="list-style-type: none"> ● TORNILLO TORX M8x30 0/000.460.4463 (u. 4) 	
6	<ul style="list-style-type: none"> ● BRIDA SUPERIOR MANILLAR 0/000.350.4401 (u. 2) 	
7	<ul style="list-style-type: none"> ● TORNILLO CILINDRICO HEXAGONAL M10x35 0/000.460.4414 (u. 2) 	
8	<ul style="list-style-type: none"> ● CLIP SUJETACABLES EMBRAGUE 0/000.680.4401 (u. 1) 	
9	<ul style="list-style-type: none"> ● CLIP SUJETACABLES ACELERADOR 0/000.680.4402 (u. 1) 	
10	<ul style="list-style-type: none"> ● PUENTE INFERIOR MANILLAR 0/000.350.4402 (u. 2) 	
11	<ul style="list-style-type: none"> ● PROTECTOR SUPERIOR CLAUSOR 0/000.220.4406 (u. 1) 	
12	<ul style="list-style-type: none"> ● PLATINA SUPERIOR HORQUILLA 0/000.660.4401 (u. 1) 	
13	<ul style="list-style-type: none"> ● TORNILLO HEXAGONAL M8x20 0/000.460.4415 (u. 1) 	
14	<ul style="list-style-type: none"> ● TUERCA SUPERIOR DIRECCION 0/000.340.4419 (u. 1) 	

15	● CONTRA TUERCA 0/000.340.4406 (u. 1)	
16	● TUERCA INFERIOR DIRECCION 0/000.340.4407 (u. 1)	
17	● ARANDELA DIRECCION 0/000.440.4406 (u. 1)	
18A	● KIT RODAMIENTO SUPERIOR DIRECCION 0/K00.960.4401 (u. 1)	
18	● RODAMIENTO SUPERIOR DIRECCION 0/000.960.4401 (u. 1)	OBSOLETE
19	● PISTA EXTERIOR RODAMIENTO SUPERIOR DIRECCION 0/000.960.4402 (u. 1)	OBSOLETE
20	● PISTA EXTERIOR RODAMIENTO SUPERIOR DIRECCION 0/000.960.4402 (u. 1)	OBSOLETE
21	● RODAMIENTO SUPERIOR DIRECCION 0/000.960.4401 (u. 1)	OBSOLETE
21A	● KIT RODAMIENTO INFERIOR DIRECCION 0/K00.960.4402 (u. 1)	
22	● GUARDAPOLVOS INFERIOR 0/000.200.4401 (u. 1)	
23	● PLATINA INFERIOR HORQUILLA 0/000.660.4402 (u. 1)	
24	● TORNILLO HEXAGONAL M8x40 0/000.460.4416 (u. 4)	
25	● SUSPENSION RH 0/000.130.4401 (u. 1)	
26	● SUSPENSION LH 0/000.130.4402 (u. 1)	
27	● TUERCA RAPIDA M6 0/000.340.4404 (u. 2)	
28	● CLIP SUJETACABLES DISCO FRENO RH 0/000.680.4403 (u. 1)	
29	● CLIP SUJETACABLES DISCO FRENO LH 0/000.680.4404 (u. 1)	
30	● TORNILLO HEXAGONAL M6x20 0/000.460.4405 (u. 2)	
31	● TUERCA M6 0/000.340.4405 (u. 2)	
32	● TORNILLO CONICO ALLEN M6x16 0/000.460.4406 (u. 2)	
33	● PROTECTOR HORQUILLA RH ROJO 0/000.220.4408 (u. 1)	OBSOLETE
34	● PROTECTOR HORQUILLA LH ROJO 0/000.220.4410 (u. 1)	OBSOLETE
35	● CATADRIOPTICO HORQUILLA 0/000.630.4401 (u. 1)	
36	● CONTRA TUERCA 0/000.340.4406 (u. 2)	
37	● TORNILLO M6x16 0/000.460.4418 (u. 6)	
38	● TORNILLO TORX M8x25 0/000.460.4403 (u. 4)	
39	● TORNILLO HEXAGONAL M8x25 0/000.460.4419 (u. 2)	
40	● TORNILLO CONICO ALLEN M8x25 0/000.460.4420 (u. 1)	

41	● AMORTIGUADOR DE DIRECCION 0/000.180.4401 (u. 1)	
42	● TORNILLO M6x20 0/000.460.4427 (u. 1)	
43	● SENSOR VELOCIDAD 0/001.010.4404 (u. 1)	OBSOLETE
45	● OUTPUT PINION PROTECTOR COVER ATTACH. BOLT 0/000.460.0285 (u. 3)	
46	● SCREW DIN 912 Allen M5x12 Cal.8.8 Z/BLANCO 0/000.460.0280 (u. 1)	
47	● METRIC SCREW 6 x 20 0/000.460.0290 (u. 3)	
48	● CLAUSOR COMPLETO 0/001.060.4401 (u. 1)	
49	● TUERCA M4 0/000.440.4430 (u. 1)	
50	● ABRAZADERA HORQUILLA / TUBO FRENO DEL. 0/000.680.4416 (u. 1)	
51	● SCREW DIN 912 Allen M4x16 Cal.8.8 Z/BLANCO 0/000.460.0204 (u. 1)	
53	● SEPARADOR Ø14xØ10xØ19 0/000.480.4429 (u. 4)	

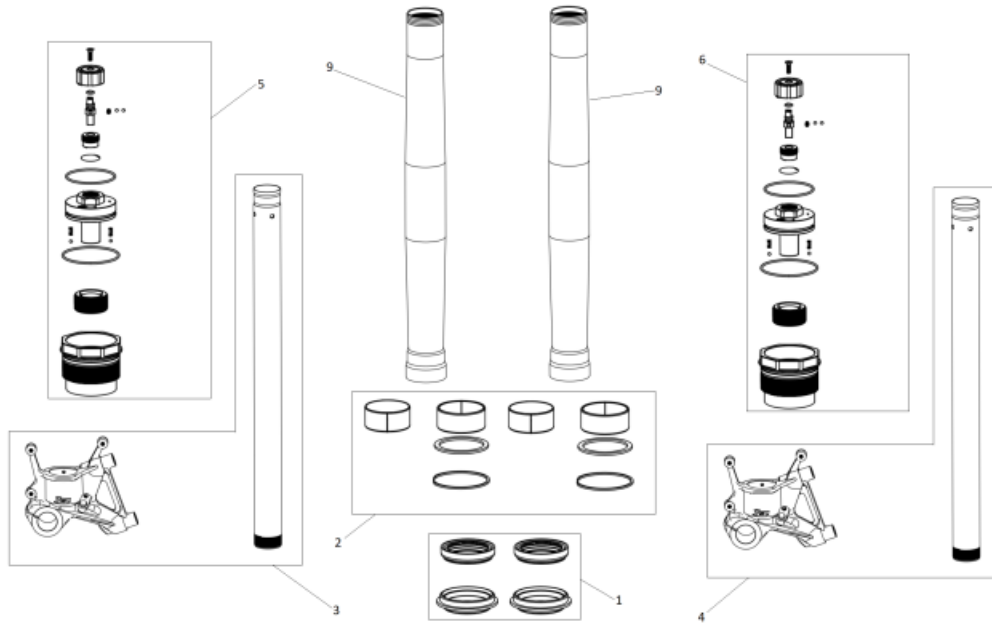
FRONT FORK ASSY 1



7 ● CJTO. CARTUCHO LH
0/000.130.4403 (u. 1)

8 ● CJTO. CARTUCHO RH
0/000.130.4404 (u. 1)

FRONT FORK ASSY 2



1 ● CJTO. RETENES Y GUARDAPOLVOS
0/000.890.4412 (u. 1)

2 ● CJTO. CASQUILLOS DE FRICCION
0/000.480.4426 (u. 1)

3 ● CJTO. BARRA + PUNTERA LH
0/000.880.4401 (u. 1)

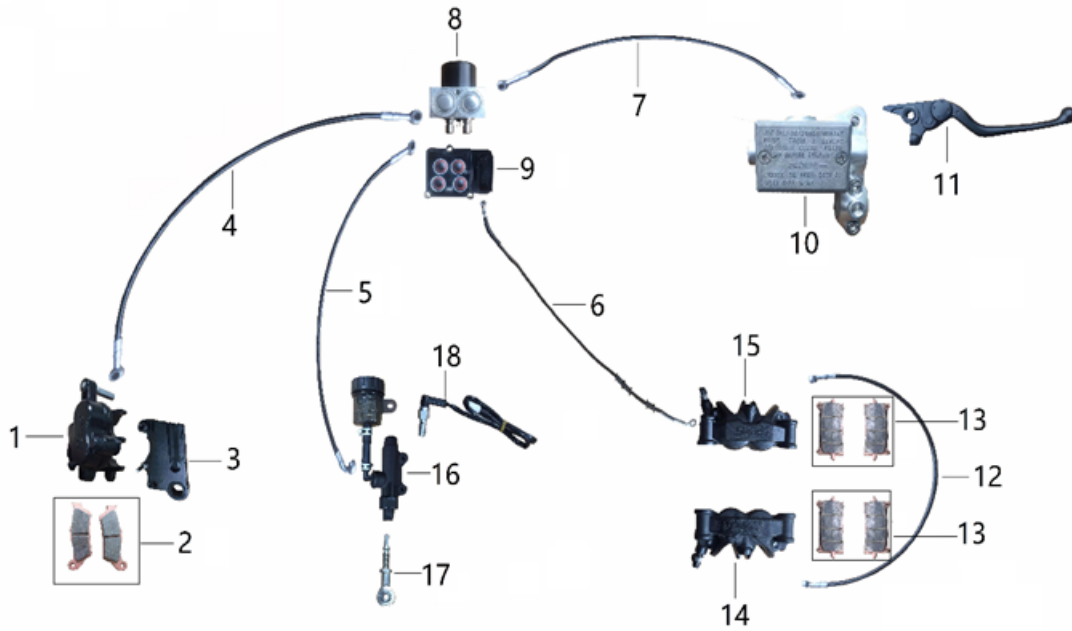
4 ● CJTO. BARRA + PUNTERA RH
0/000.880.4402 (u. 1)

5 ● CJTO. TAPON SUPERIOR HORQUILLA LH
0/000.410.4406 (u. 1)

6 ● CJTO. TAPON SUPERIOR HORQUILLA RH
0/000.410.4407 (u. 1)

9 ● BOTELLA LH/RH HORQUILLA
0/000.880.4403 (u. 2)

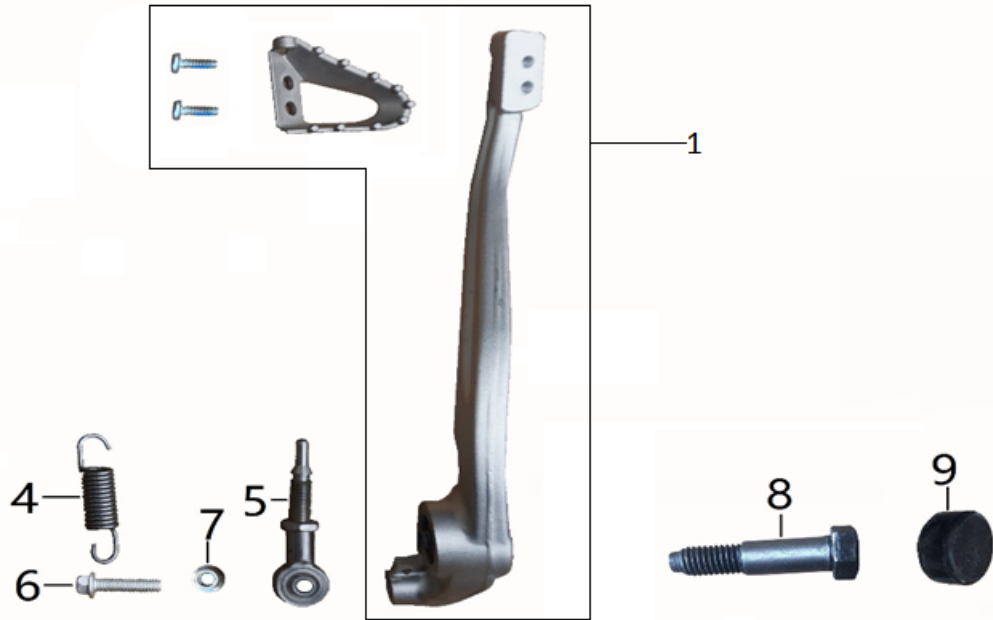
BRAKES



1	● PINZA FRENO TRASERO 0/000.860.4402 (u. 1)
2	● PASTILLAS FRENO TRASERAS 0/000.930.4401 (u. 1)
3	● SOPORTE DISCO FRENO TRASERO 0/000.980.4415 (u. 1)
4	● TUBO ABS ECU A PINZA FRENO TRASERO 0/000.290.4403 (u. 1)
5	● TUBO ABS ECU A BOMBA FRENO TRASERA 0/000.290.4404 (u. 1)
6	● TUBO ABS ECU A PINZA FRENO DELANTERO 0/000.290.4405 (u. 1)
7	● TUBO ABS ECU A BOMBA FRENO DELANTERA 0/000.290.4406 (u. 1)
8	● ABS AVENTURA 500 0/000.640.4402 (u. 1)
9	● ABS ECU AVENTURA 500 0/005.705.4401 (u. 1)
10	● BOMBA FRENO DELANTERA 0/000.820.4402 (u. 1)
11	● MANETA FRENO DELANTERO 0/000.830.4402 (u. 1)
12	● TUBO PINZA FRENO DELANTERO IZQUIERDA A DERECHA 0/000.290.4407 (u. 1)
13	● PASTILLAS FRENO DELANTERAS 0/000.930.4402 (u. 2)
14	● PINZA FRENO DELANTERO DERECHA 0/000.860.4403 (u. 1)
15	● PINZA FRENO DELANTERO IZQUIERDA 0/000.860.4404 (u. 1)
16	● BOMBA FRENO TRASERA 0/000.820.4403 (u. 1)

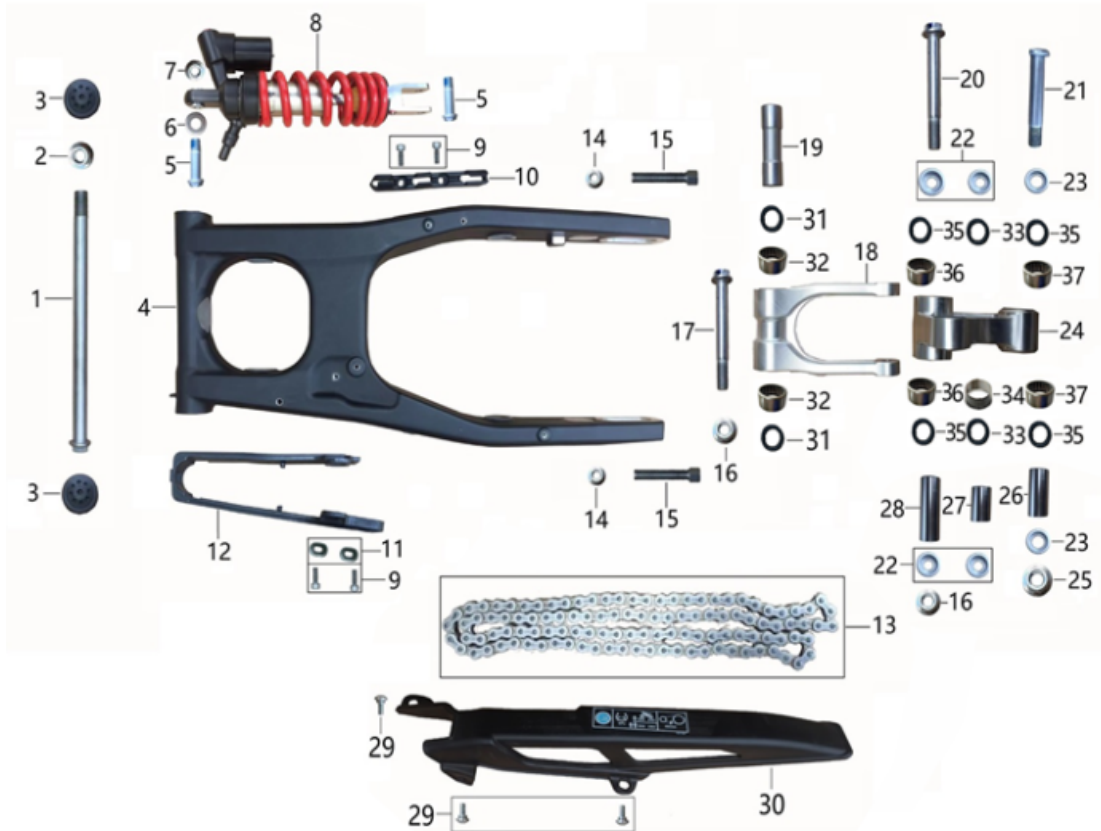
17	<ul style="list-style-type: none">• ROTULA BARILLA PALANCA FRENO 0/000.460.4468 (u. 1)
18	<ul style="list-style-type: none">• CABLE INTERRUPTOR FRENO TRASERO 0/000.720.4405 (u. 1)

BRAKE PEDAL



1	<ul style="list-style-type: none"> CJTO. PALANCA FRENO TRASERO AVENTURA 500 0/K00.730.4401 (u. 1)
4	<ul style="list-style-type: none"> MUELLE PEDAL FRENO 0/000.470.4403 (u. 1)
5	<ul style="list-style-type: none"> ROTULA BARILLA PALANCA FRENO 0/000.460.4468 (u. 1)
6	<ul style="list-style-type: none"> TORNILLO M6x25 HEXAHONAL TORX T30 0/000.460.4510 (u. 1)
7	<ul style="list-style-type: none"> TUERCA SUPERIOR DIRECCION 0/000.340.4418 (u. 1)
8	<ul style="list-style-type: none"> PERNO M8x35 0/000.460.4453 (u. 1)
9	<ul style="list-style-type: none"> TAPA PEDAL FRENO 0/000.350.4408 (u. 1)

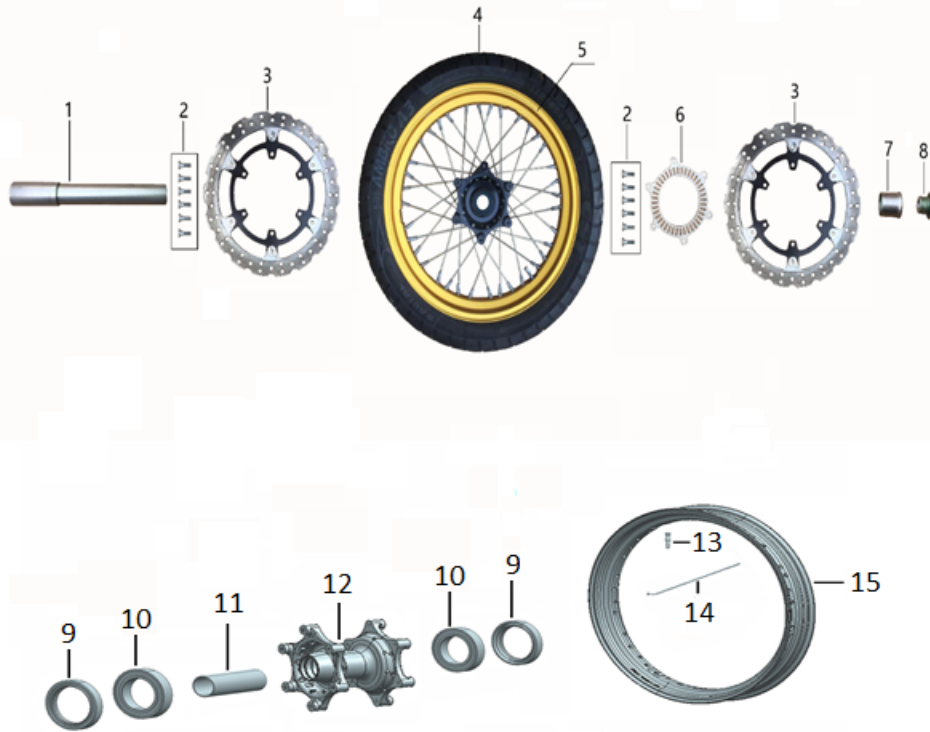
SHOCK ABSORBER - SWING ARM



1	<ul style="list-style-type: none"> EJE BASCULANTE 0/000.190.4403 (u. 1) 	
2	<ul style="list-style-type: none"> ARANDELA M16x1.5 0/000.440.4411 (u. 1) 	OBSELETE
3	<ul style="list-style-type: none"> TAPON EJE BASCULANTE 0/000.410.4405 (u. 2) 	
4	<ul style="list-style-type: none"> BASCULANTE AVENTURA 500 0/000.020.4401 (u. 1) 	
5	<ul style="list-style-type: none"> TORNILLO HEXAGONAL M10x50 0/000.460.4438 (u. 2) 	
6	<ul style="list-style-type: none"> ARANDELA PLANA M10 0/000.440.4412 (u. 1) 	
7	<ul style="list-style-type: none"> TUERCA M10 0/000.340.4411 (u. 1) 	
8	<ul style="list-style-type: none"> AMORTIGUADOR TRASERO 0/000.180.4402 (u. 1) 	
9	<ul style="list-style-type: none"> TORNILLO ALLEN M5x25 0/000.460.4439 (u. 4) 	
10	<ul style="list-style-type: none"> CLIP TUBO DISCO FRENO 0/000.680.4408 (u. 1) 	
11	<ul style="list-style-type: none"> CASQUILLO PATIN CADENA 0/000.440.4416 (u. 2) 	
12	<ul style="list-style-type: none"> GOMA PATIN CADENA 0/000.360.4419 (u. 1) 	
13	<ul style="list-style-type: none"> CADENA 116 PASOS 0/001.050.4401 (u. 1) 	
14	<ul style="list-style-type: none"> TUERCA M8 0/000.340.4412 (u. 2) 	

15	●	TORNILLO TENSOR RUEDA TRASERA M8x45 0/000.460.4440 (u. 2)
16	●	TUERCA PRESION M10 0/000.340.4413 (u. 1)
17	●	TORNILLO HEXAGONAL M10x110 0/000.460.4441 (u. 1)
18	●	BIELETA COMPLETA AVENTURA 500CC +20MM ALTURA MOTO 0/000.770.4402 (u. 1)
	●	BIELETA 0/000.770.4401 (u. 1)
19	●	SEPARADOR Ø10xØ22x83 0/000.480.4408 (u. 1)
20	●	TORNILLO HEXAGONAL M10x105 0/000.460.4442 (u. 1)
21	●	TORNILLO M15x90x1.5 0/000.460.4443 (u. 1)
22	●	CUBREPOLVOS Ø10xØ24x7 0/000.200.4402 (u. 4)
23	●	CUBREPOLVOS Ø15xØ25x7 0/000.200.4403 (u. 2)
24	●	BALANCIN 0/000.980.4413 (u. 1)
25	●	TUERCA M14 0/000.340.4416 (u. 1)
26	●	SEPARADOR Ø15xØ20x44 0/000.480.4405 (u. 1)
27	●	SEPARADOR Ø10xØ18x26 0/000.480.4406 (u. 1)
28	●	SEPARADOR Ø10xØ20x64 0/000.480.4407 (u. 1)
29	●	TORNILLO CONICO ALLEN M6x16 0/000.460.4406 (u. 3)
30	●	CUBRECADENA 0/000.200.4404 (u. 1)
31	●	RETEN 22x30x7 0/000.890.4401 (u. 2)
32	●	COJINETE AGUJAS HK2216 0/000.960.4411 (u. 2)
33	●	RETEN 24x32x7 0/000.890.4402 (u. 2)
34	●	COJINETE AGUJAS HK1812 0/000.960.4408 (u. 1)
35	●	RETEN 25x32x7 0/000.890.4403 (u. 4)
36	●	COJINETE AGUJAS HK2016 0/000.960.4409 (u. 2)
37	●	COJINETE AGUJAS HK2014 0/000.960.4410 (u. 2)

FRONT WHEEL

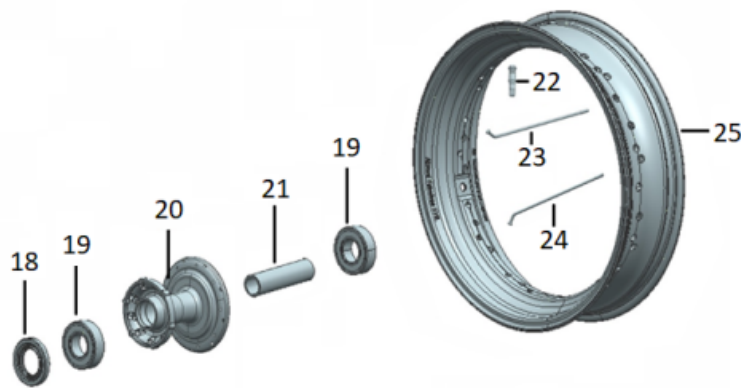
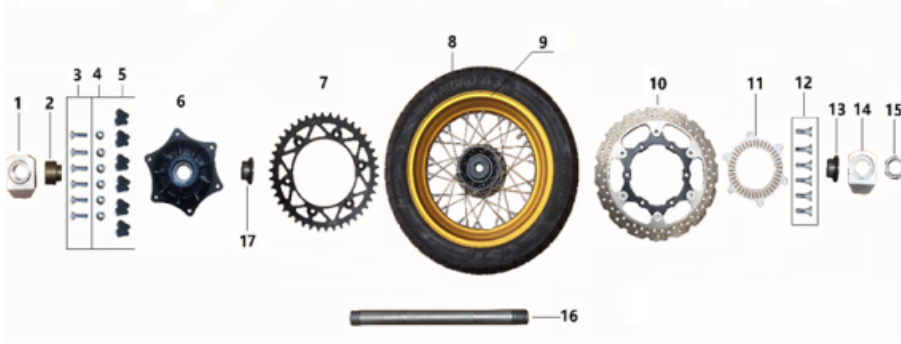


1	<ul style="list-style-type: none"> EJE RUEDA DELANTERA 0/000.190.4401 (u. 1)
2	<ul style="list-style-type: none"> TORNILLO HEXAGONAL M6x16 0/000.460.4451 (u. 12)
3	<ul style="list-style-type: none"> DISCO FRENO DELANTERO Ø320mm 0/001.090.4401 (u. 2)
4	<ul style="list-style-type: none"> CUBIERTA DELANTERA (ENDURO?) 0/000.510.4401 (u. 1)
5	<ul style="list-style-type: none"> RUEDA DELANTERA COMPLETA 0/000.110.4401 (u. 1)
6	<ul style="list-style-type: none"> DISCO SENSOR VELOCIDAD DELANTERO 42H 0/001.090.4405 (u. 1)
7	<ul style="list-style-type: none"> CASQUILLO RUEDA DELANTERA 0/000.480.4401 (u. 1)
8	<ul style="list-style-type: none"> TUERCA RUEDA DELANTERA 0/000.340.4408 (u. 1)
9	<ul style="list-style-type: none"> RETEN Ø47xØ35x7 0/000.890.4404 (u. 2)
10	<ul style="list-style-type: none"> COJINETE NSK 6906DU 0/000.960.4406 (u. 2)
11	<ul style="list-style-type: none"> SEPARADOR CARRETE DELANTERO 0/000.480.4409 (u. 1)
12	<ul style="list-style-type: none"> CARRETE DELANTERO 0/000.070.4401 (u. 1)
13	<ul style="list-style-type: none"> TUERCA RADIO 0/000.340.4417 (u. 36)
14	<ul style="list-style-type: none"> RADIO DELANTERO 0/000.540.4401 (u. 36)

15

- LLANTA DELANTERA
0/000.230.4401 (u. 1)

REAR WHEEL



1	<ul style="list-style-type: none"> TENSOR CADENA LH 0/000.380.4401 (u. 1) 	
2	<ul style="list-style-type: none"> CASQUILLO RUEDA TRASERA LH 0/000.480.4412 (u. 1) 	
3	<ul style="list-style-type: none"> TORNILLO TORX AVELLANADO L M8x25 0/000.460.4444 (u. 6) 	OBSOLETE
4	<ul style="list-style-type: none"> TUERCA PRESION M8 0/000.340.4415 (u. 6) 	
5	<ul style="list-style-type: none"> GOMA SEPARADOR PLATO ARRASTRE 0/000.360.4414 (u. 6) 	
6	<ul style="list-style-type: none"> SEPARADOR PLATO ARRASTRE 0/000.480.4414 (u. 1) 	
7	<ul style="list-style-type: none"> PLATO ARRASTRE Z45 0/000.500.4401 (u. 1) 	
8	<ul style="list-style-type: none"> CUBIERTA TRASERA 0/000.510.4402 (u. 1) 	
9	<ul style="list-style-type: none"> RUEDA TRASERA COMPLETA 0/000.120.4401 (u. 1) 	
10	<ul style="list-style-type: none"> DISCO FRENO TRASERO 0/001.090.4403 (u. 1) 	
11	<ul style="list-style-type: none"> DISCO SENSOR VELOCIDAD TRASERO 0/001.090.4404 (u. 1) 	
12	<ul style="list-style-type: none"> TORNILLO HEXAGONAL M6x16 0/000.460.4451 (u. 6) 	
13	<ul style="list-style-type: none"> CASQUILLO RUEDA TRASERA RH 0/000.480.4413 (u. 1) 	
14	<ul style="list-style-type: none"> TENSOR CADENA RH 0/000.380.4402 (u. 1) 	

15	● TUERCA EJE RUEDA TRASERA 0/000.340.4414 (u. 1)
16	● EJE RUEDA TRASERA 0/000.190.4404 (u. 1)
17	● CASQUILLO Ø35x5+Ø30x12xØ25 0/000.480.4415 (u. 1)
18	● RETEN Ø52xØ32x7 0/000.890.4405 (u. 1)
19	● COJINETE NSK 6205DU 0/000.960.4407 (u. 2)
20	● CARRETE TRASERO 0/000.080.4401 (u. 1)
21	● SEPARADOR CARRETE TRASERO 0/000.480.4410 (u. 1)
22	● TUERCA RADIO 0/000.340.4417 (u. 36)
23	● RADIO TRASERO SUPERIOR 0/000.540.4402 (u. 18)
24	● RADIO TRASERO INFERIOR 0/000.540.4403 (u. 18)
25	● LLANTA TRASERA 0/000.230.4402 (u. 1)

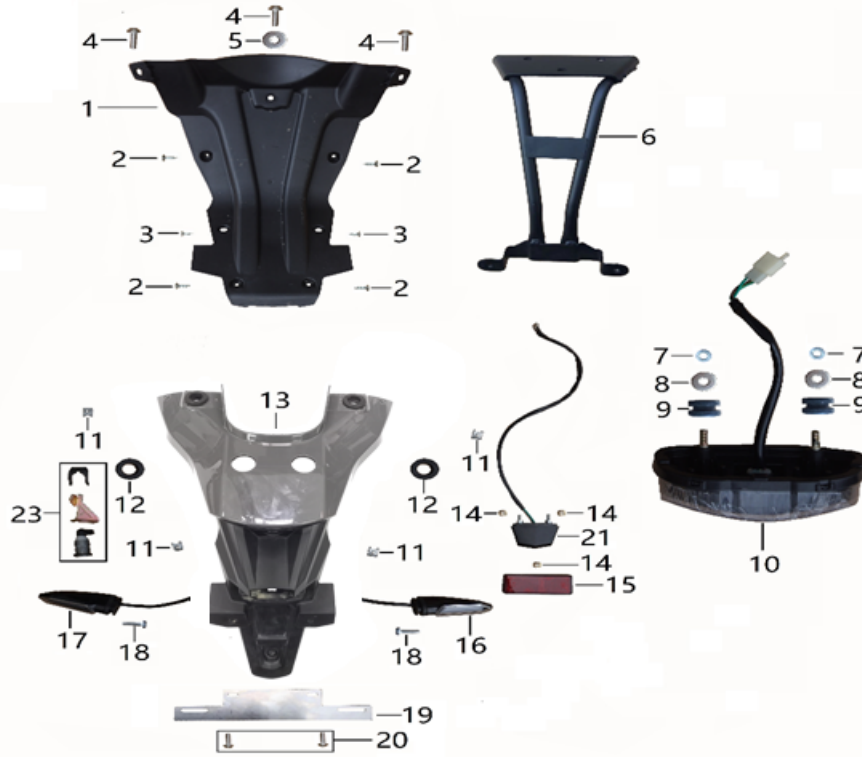
HEADLIGHT AND FRONT FENDER



1	<ul style="list-style-type: none"> ● SOPORTE FARO Y CTA. KM 0/000.980.4403 (u. 1)
2	<ul style="list-style-type: none"> ● TUERCA AUTOBLOCANTE M8 0/000.340.4402 (u. 2)
3	<ul style="list-style-type: none"> ● TORNILLO HEXAGONAL M8x35 0/000.460.4407 (u. 2)
4	<ul style="list-style-type: none"> ● GOMA SILENTBLOCK CTA. KM 0/000.360.4402 (u. 12)
5	<ul style="list-style-type: none"> ● ARANDELA PLANA M6 0/000.440.4402 (u. 7)
6	<ul style="list-style-type: none"> ● TUERCA AUTOBLOCANTE M6 0/000.340.4403 (u. 4)
7	<ul style="list-style-type: none"> ● CARENADO INTERIOR MARCADOR 0/000.570.4401 (u. 1)
8	<ul style="list-style-type: none"> ● TUERCA RAPIDA M6 0/000.340.4404 (u. 12)
9	<ul style="list-style-type: none"> ● TORNILLO ROSCA PLASTICO M4.8x13 0/000.460.4408 (u. 6)
10	<ul style="list-style-type: none"> ● TORNILLO CONICO ALLEN M6x16 0/000.460.4406 (u. 9)
11	<ul style="list-style-type: none"> ● GOMA CUVIERTA LATERAL 0/000.360.4406 (u. 1)
12	<ul style="list-style-type: none"> ● PUERTO USB 0/000.720.4403 (u. 1)
13	<ul style="list-style-type: none"> ● SENSOR DE LUZ AMBIENTAL 0/001.010.4401 (u. 1)
14	<ul style="list-style-type: none"> ● DASHBOARD SECUNDARIO 0/001.000.4402 (u. 1)
15	<ul style="list-style-type: none"> ● CTA. KMS. AVENTURA 500 0/001.000.4401 (u. 1) - <i>UNTIL VIN VTPAVU50100P00286</i> ● CTA. KMS. AVENTURA 500 V2 0/001.000.4403 (u. 1) - <i>FROM VIN VTPAVU50100P00286</i>
16	<ul style="list-style-type: none"> ● TAPA INTERRUPTOR SELECTOR DEPOSITO GASOLINA 0/000.350.4403 (u. 1)
17	<ul style="list-style-type: none"> ● INTERRUPTOR SELECTOR DEPOSITO GASOLINA 0/000.720.4404 (u. 1)

18	● GUARDABARROS DELANTERO ROJO 0/000.050.4402 (u. 1)	OBSOLETE
19	● GOMA SILENTBLOCK FARO 0/000.360.4403 (u. 4)	
20	● CARENADO FRONTAL ANTERIOR 0/000.570.4402 (u. 1)	
21	● INTERMITENTE DELANTERO LH 0/000.150.4401 (u. 1)	
22	● SOPORTE INTERMITENTES DELANTEROS 0/000.980.4404 (u. 2)	
23	● TORNILLO HEXAGONAL M6x16 0/000.460.4409 (u. 2)	
24	● INTERMITENTE DELANTERO RH 0/000.150.4402 (u. 1)	OBSOLETE
25	● TORNILLO ESTRELLA M6x12 0/000.460.4431 (u. 8)	
27	● PROTECTOR DASHBOARD 0/000.220.4404 (u. 1)	
28	● CUPULA 0/000.780.4401 (u. 1)	
29	● TORNILLO CONICO ALLEN M6x25 0/000.460.4410 (u. 1)	
30	● TORNILLO CONICO ALLEN M6x20 0/000.460.4466 (u. 2)	
31	● ARANDELA SUPERIOR CUPULA 0/000.440.4403 (u. 2)	
32	● ARANDELA INFERIOR CUPULA 0/000.440.4404 (u. 2)	
33	● ARANDELA NYLON M6 0/000.440.4405 (u. 12)	
34	● FARO DELANTERO 0/000.600.4401 (u. 1)	

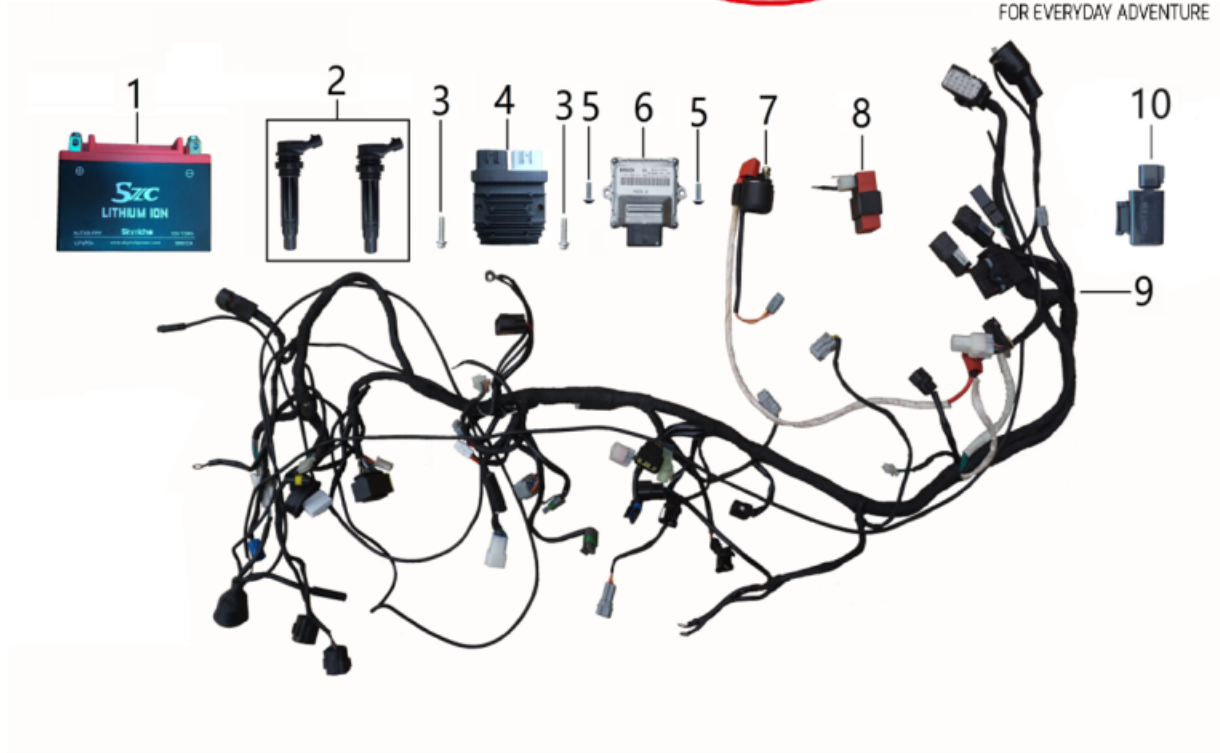
REAR FENDER AND TAILLIGHT



1	<ul style="list-style-type: none"> ● GUARDABARROS TRASERO INTERNO 0/000.060.4404 (u. 1) 	
2	<ul style="list-style-type: none"> ● TORNILLO M8x16 0/000.460.4458 (u. 4) ● TORNILLO PHILLIPS M5x13 0/000.460.4459 (u. 4) 	OBSOLETE
3	<ul style="list-style-type: none"> ● TORNILLO PHILLIPS M5x13 0/000.460.4459 (u. 2) 	
4	<ul style="list-style-type: none"> ● TORNILLO CONICO ALLEN M6x16 0/000.460.4406 (u. 3) 	
5	<ul style="list-style-type: none"> ● ARANDELA PLANA M6 0/000.440.4415 (u. 1) 	
6	<ul style="list-style-type: none"> ● SOPORTE GUARDABARROS TRASERO 0/000.980.4416 (u. 1) 	
7	<ul style="list-style-type: none"> ● TUERCA M6 0/000.340.4405 (u. 2) 	
8	<ul style="list-style-type: none"> ● ARANDELA PLANA M6 0/000.440.4402 (u. 2) 	
9	<ul style="list-style-type: none"> ● GOMA SILENTBLOCK Ø10xØ20x13 0/000.360.4417 (u. 2) 	
10	<ul style="list-style-type: none"> ● LUZ FRENO TRASERA 0/000.150.4406 (u. 1) 	
11	<ul style="list-style-type: none"> ● TUERCA RAPIDA M6 0/000.340.4404 (u. 4) 	
12	<ul style="list-style-type: none"> ● GOMA SILENTBLOCK Ø20xØ35x12 0/000.360.4418 (u. 2) 	
13	<ul style="list-style-type: none"> ● GUARDABARROS TRASERO ROJO 0/000.060.4403 (u. 1) 	
14	<ul style="list-style-type: none"> ● TUERCA M6 0/000.340.4405 (u. 3) 	

15	● CATADIOPTICO PORTAMATRICULAS 0/000.630.4402 (u. 1)	
16	● INTERMITENTE DELANTERO RH 0/000.150.4402 (u. 1)	OBSOLETE
17	● INTERMITENTE DELANTERO LH 0/000.150.4401 (u. 1)	
18	● TORNILLO HEXAGONAL M6x16 0/000.460.4409 (u. 2)	
19	● SOPORTE PORTAMATRICULAS 0/000.980.4417 (u. 1)	
20	● TORNILLO CONICO ALLEN M6x16 0/000.460.4406 (u. 2)	
21	● LUZ MATRICULA 0/000.150.4403 (u. 1)	

ELECTRICAL



1	<ul style="list-style-type: none"> BATERIA 0/000.900.4401 (u. 1)
2	<ul style="list-style-type: none"> BOBINA ALIMENTACION 0/005.070.4401 (u. 2)
3	<ul style="list-style-type: none"> TORNILLO HEXAGONAL M6x16 0/000.460.4417 (u. 2)
4	<ul style="list-style-type: none"> RECTIFICADOR CORRENT ALTERN 0/005.700.4402 (u. 1)
5	<ul style="list-style-type: none"> TORNILLO CONICO ALLEN M6x16 0/000.460.4406 (u. 2)
6	<ul style="list-style-type: none"> ECU AVENTURA 500 0/005.705.4402 (u. 1)
7	<ul style="list-style-type: none"> RELE ARRANQUE 0/001.200.4401 (u. 1)
8	<ul style="list-style-type: none"> RELE INTERMITENCIA 0/001.200.4402 (u. 1)
9	<ul style="list-style-type: none"> INSTALACION ELECTRICA AVENTURA 500 4Reles 0/000.160.4403 (u. 1) - FROM VIN VTPAVU50100P00286
	<ul style="list-style-type: none"> INSTALACION ELECTRICA PRINCIPAL 0/000.160.4401 (u. 1) - UNTIL VIN VTPAVU50100P00285
10	<ul style="list-style-type: none"> RELE DE FARO 0/001.200.4403 (u. 1)

FUEL TANKS



1	<ul style="list-style-type: none"> GOMA SILENTBLOCK 0/000.360.4413 (u. 3)
2	<ul style="list-style-type: none"> CASQUILLO 0/000.480.4411 (u. 2)
3	<ul style="list-style-type: none"> TORNILLO HEXAGONAL M6x25 0/000.460.4450 (u. 2)
4	<ul style="list-style-type: none"> DEPOSITO GASOLINA DELANTERO ROJO 0/000.030.4402 (u. 1)
5	<ul style="list-style-type: none"> SECCION DELANTERA GUARDABARROS TRASERO 0/000.060.4401 (u. 1)
6	<ul style="list-style-type: none"> OUTPUT PINION PROTECTOR COVER ATTACH. BOLT 0/000.460.0285 (u. 21)
7	<ul style="list-style-type: none"> TORNILLO CILINDRICO ALLEN M6x12 0/000.460.4446 (u. 2)
8	<ul style="list-style-type: none"> BOMBA GASOLINA 0/000.860.4401 (u. 2)
9	<ul style="list-style-type: none"> TAPA BOMBA GASOLINA 0/000.350.4406 (u. 2)
10	<ul style="list-style-type: none"> METRIC SCREW 6 x 20 0/000.460.0290 (u. 1)
	<ul style="list-style-type: none"> TORNILLO CILINDRICO ALLEN M5x20 0/000.460.4447 (u. 1)
11	<ul style="list-style-type: none"> ARANDELA PLANA M5 0/000.440.4413 (u. 3)
12	<ul style="list-style-type: none"> TAPA BOMBA GASOLINA TRASERA 0/000.350.4405 (u. 1)
13	<ul style="list-style-type: none"> TORNILLO SEMICIRCULAR M5x12 0/000.460.4448 (u. 2)
14	<ul style="list-style-type: none"> TAPA DEPOSITO GASOLINA TRASERO 0/000.350.4407 (u. 1)

15	<ul style="list-style-type: none"> DEPOSITO GASOLINA TRASERO COMPLETO 0/000.030.4403 (u. 1)
16	<ul style="list-style-type: none"> GOMA Ø12xØ20x20 0/000.360.4412 (u. 4)
17	<ul style="list-style-type: none"> CASQUILLO Ø8x40 0/000.480.4404 (u. 2)
18	<ul style="list-style-type: none"> TORNILLO HEXAGONAL M8x55 0/000.460.4449 (u. 2)
19	<ul style="list-style-type: none"> CONJUNTO CANISTER 0/000.640.4401 (u. 1)
20	<ul style="list-style-type: none"> TORNILLO HEXAGONAL M6x16 0/000.460.4417 (u. 2)
21	<ul style="list-style-type: none"> TUERCA M6 0/000.340.4405 (u. 2)
22	<ul style="list-style-type: none"> SOPORTE CANISTER 0/000.980.4414 (u. 1)
23	<ul style="list-style-type: none"> GOMA CUBIERTA LATERAL 0/000.360.4409 (u. 1)
24	<ul style="list-style-type: none"> GRIFO GASOLINA COMPLETO 0/000.370.4401 (u. 1)
25	<ul style="list-style-type: none"> SOPORTE GRIFO ACEITE 0/000.980.4409 (u. 1)
26	<ul style="list-style-type: none"> TORNILLO HEXAGONAL TORX M6x20 0/000.460.4411 (u. 1)
27	<ul style="list-style-type: none"> TUERCA M6 0/000.340.4405 (u. 1)
28	<ul style="list-style-type: none"> GRIFO SELECTOR DEPOSITO GASOLINA 0/000.370.4402 (u. 1)
29	<ul style="list-style-type: none"> ABRAZADERA TUBOS GRIFO GASOLINA 0/000.680.4417 (u. 6)
30	<ul style="list-style-type: none"> CONECTOR GASOLINA 0/000.630.4403 (u. 1)
31	<ul style="list-style-type: none"> CONECTOR GASOLINA TIPO "L" 0/000.630.4404 (u. 2)
32	<ul style="list-style-type: none"> TUBO GRIFO GASOLINA A DEPOSITO DELANTERO 0/000.290.4421 (u. 1)
33	<ul style="list-style-type: none"> TUBO GRIFO GASOLINA A INYECTOR 0/000.290.4422 (u. 1)
34	<ul style="list-style-type: none"> TUBO GRIFO GASOLINA A DEPOSITRO TRASERO 0/000.290.4423 (u. 1)
35	<ul style="list-style-type: none"> FUNDA TUBO GASOLINA 0/000.290.4424 (u. 1)

GREEN LEGEND COVERS AND SEAT



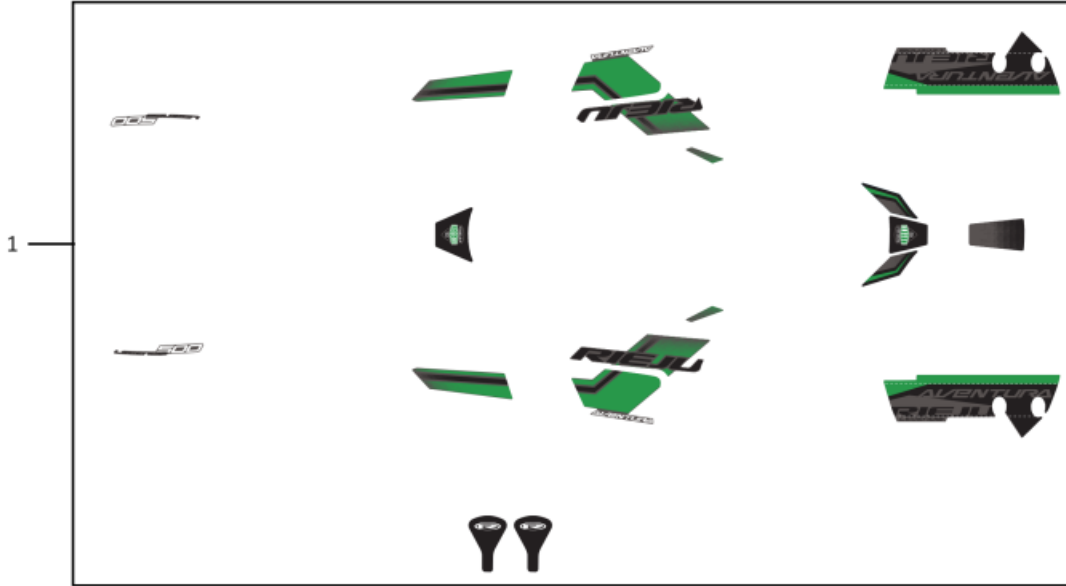
1	● TAPA FRONTAL LH ROJO 0/000.570.4422 (u. 1)
2	● TAPA RADIADOR LH 0/000.570.4403 (u. 1) - <i>W/O STICKER</i>
3	● EMBELLECEDOR TAPA RADIADOR LH ROJO 0/000.570.4405 (u. 1)
4	● TUERCA RAPIDA M6 0/000.340.4404 (u. 12)
5	● TAPA FRONTAL RH ROJO 0/000.570.4407 (u. 1)
6	● ARANDELA NYLON Ø6 0/000.440.4414 (u. 8)
7	● TORNILLO TORX CON ARANDELA M6x16 0/000.460.4454 (u. 8)
8	● TORNILLO M4x9 0/000.460.4455 (u. 10)
9	● EMBELLECEDOR TAPA RADIADOR RH ROJO 0/000.570.4409 (u. 1)
10	● TAPA RADIADOR RH 0/000.570.4410 (u. 1) - <i>W/O STICKER</i>
11	● TORNILLO CONICO ALLEN M6x16 0/000.460.4406 (u. 10)
12	● TORNILLO CONICO ALLEN M6x12 0/000.460.4456 (u. 6)
13	● GOMA SUJECION TAPA RADIADOR 0/000.360.4415 (u. 2)
14	● SILENTBLOCK TUERCA RAPIDA 0/000.360.4416 (u. 4)
15	● TAPA BORDE DEPOSITO GASOLINA RH ROJO 0/000.570.4412 (u. 1)
16	● TAPA LATERAL RH 0/000.570.4413 (u. 1) - <i>W/O STICKER</i>
17	● TAPA LATERAL TRASERA RH ROJO 0/000.570.4415 (u. 1)

18	● SILLIN PASAJERO 0/000.040.4402 (u. 1)
19	● SILLIN PILOTO 0/000.040.4401 (u. 1)
20	● TORNILLO HEXAGONAL M8x25 0/000.460.4419 (u. 2)
21	● TAPA LATERAL TRASERA LH ROJO 0/000.570.4417 (u. 1)
22	● TAPA LATERAL LH 0/000.570.4418 (u. 1) - <i>W/O STICKER</i>
23	● TAPA BORDE DEPOSITO GASOLINA LH ROJO 0/000.570.4420 (u. 1)
24	● EMBELLECEDOR SUPERIOR TAPA RADIADOR RH ROJO 0/000.570.4425 (u. 1)
25	● EMBELLECEDOR SUPERIOR TAPA RADIADOR LH ROJO 0/000.570.4426 (u. 1)

JUEGO DE CALCAS LEGEND

0/000.390.4303

JUEGO CALCAS AVENTURA 500cc LEGEND



1

● JUEGO CALCAS AVENTURA 500cc LEGEND 2023
0/000.390.4303 (u. 1)

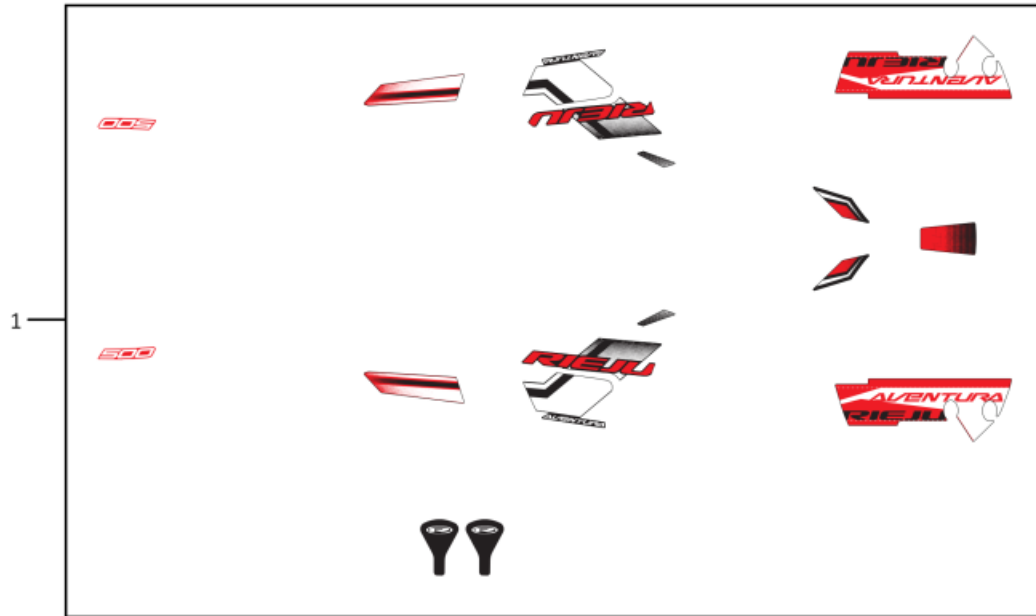
RED COVERS



1	<ul style="list-style-type: none"> ● PROTECTOR HORQUILLA RH GRIS LEGEND 0/000.220.4407 (u. 1) - <i>W/O STICKER</i> 	
	<ul style="list-style-type: none"> ● PROTECTOR HORQUILLA RH ROJO 0/000.220.4408 (u. 1) 	OBSELETE
2	<ul style="list-style-type: none"> ● PROTECTOR HORQUILLA LH ROJO 0/000.220.4410 (u. 1) 	OBSELETE
	<ul style="list-style-type: none"> ● PROTECTOR HORQUILLA LH GRIS LEGEND 0/000.220.4409 (u. 1) - <i>W/O STICKER</i> 	
3	<ul style="list-style-type: none"> ● TAPA FRONTAL RH ROJO 0/000.570.4407 (u. 1) - <i>W/O STICKER</i> 	
4	<ul style="list-style-type: none"> ● TAPA FRONTAL LH ROJO 0/000.570.4422 (u. 1) - <i>W/O STICKER</i> 	
5	<ul style="list-style-type: none"> ● EMBELLECEDOR SUPERIOR TAPA RADIADOR RH ROJO 0/000.570.4425 (u. 1) - <i>W/O STICKER</i> 	
6	<ul style="list-style-type: none"> ● EMBELLECEDOR SUPERIOR TAPA RADIADOR LH ROJO 0/000.570.4426 (u. 1) - <i>W/O STICKER</i> 	
7	<ul style="list-style-type: none"> ● EMBELLECEDOR TAPA RADIADOR RH ROJO 0/000.570.4409 (u. 1) - <i>W/O STICKER</i> 	
8	<ul style="list-style-type: none"> ● EMBELLECEDOR TAPA RADIADOR LH ROJO 0/000.570.4405 (u. 1) - <i>W/O STICKER</i> 	
9	<ul style="list-style-type: none"> ● TAPA BORDE DEPOSITO GASOLINA RH ROJO 0/000.570.4412 (u. 1) - <i>W/O STICKER</i> 	
10	<ul style="list-style-type: none"> ● TAPA BORDE DEPOSITO GASOLINA LH ROJO 0/000.570.4420 (u. 1) - <i>W/O STICKER</i> 	
11	<ul style="list-style-type: none"> ● DEPOSITO GASOLINA DELANTERO ROJO 0/000.030.4402 (u. 1) - <i>W/O STICKER</i> 	
12	<ul style="list-style-type: none"> ● TAPA LATERAL TRASERA RH ROJO 0/000.570.4415 (u. 1) - <i>W/O STICKER</i> 	
13	<ul style="list-style-type: none"> ● TAPA LATERAL TRASERA LH ROJO 0/000.570.4417 (u. 1) - <i>W/O STICKER</i> 	
14	<ul style="list-style-type: none"> ● GUARDABARROS TRASERO ROJO 0/000.060.4403 (u. 1) 	
15	<ul style="list-style-type: none"> ● JUEGO CALCAS AVENTURA 500cc ROJA 2023 0/000.390.4302 (u. 1) 	

JUEGO DE CALCAS ROJA

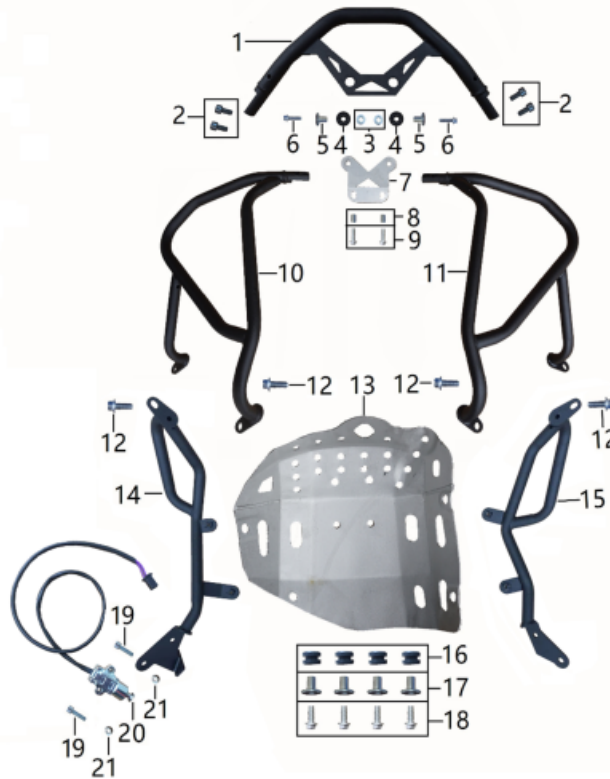
0/000.390.4302
JUEGO CALCAS AVENTURA 500cc ROJA



1

● JUEGO CALCAS AVENTURA 500cc ROJA 2023
0/000.390.4302 (u. 1)

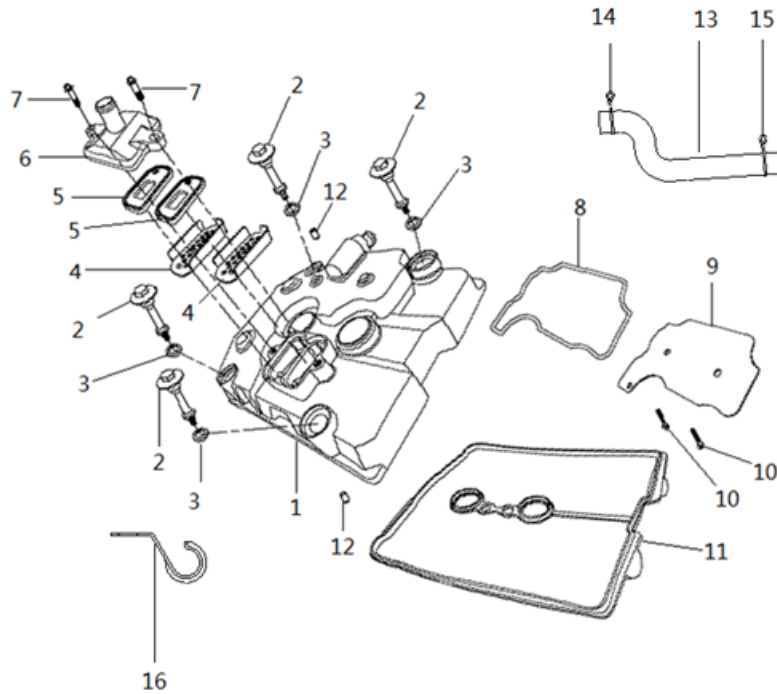
BUMPERS AND SKID PLATE



1	<ul style="list-style-type: none"> DEFENSA DELANTERA 0/000.220.4415 (u. 1)
2	<ul style="list-style-type: none"> TORNILLO CILINDRICO HEXAGONAL M8x16 0/000.460.4461 (u. 4)
3	<ul style="list-style-type: none"> TUERCA M6 0/000.340.4405 (u. 2)
4	<ul style="list-style-type: none"> GOMA Ø9xØ22x11 0/000.360.4421 (u. 2)
5	<ul style="list-style-type: none"> CASQUILLO Ø6x12 0/000.480.4416 (u. 2)
6	<ul style="list-style-type: none"> TORNILLO TORX M6x30 0/000.460.4462 (u. 2)
7	<ul style="list-style-type: none"> SOPORTE DELANTERO DEFENSA 0/000.980.4418 (u. 1)
8	<ul style="list-style-type: none"> SEPARADOR Ø14xØ8x12 0/000.480.4417 (u. 2)
9	<ul style="list-style-type: none"> TORNILLO TORX M8x30 0/000.460.4463 (u. 2)
10	<ul style="list-style-type: none"> DEFENSA LATERAL LH 0/000.220.4416 (u. 1)
11	<ul style="list-style-type: none"> DEFENSA LATERAL RH 0/000.220.4417 (u. 1)
12	<ul style="list-style-type: none"> TORNILLO HEXAGONAL M8x25 0/000.460.4419 (u. 6)
13	<ul style="list-style-type: none"> CUBRECARTER 0/000.220.4418 (u. 1)
14	<ul style="list-style-type: none"> DEFENSA TRASERA LH 0/000.220.4419 (u. 1)

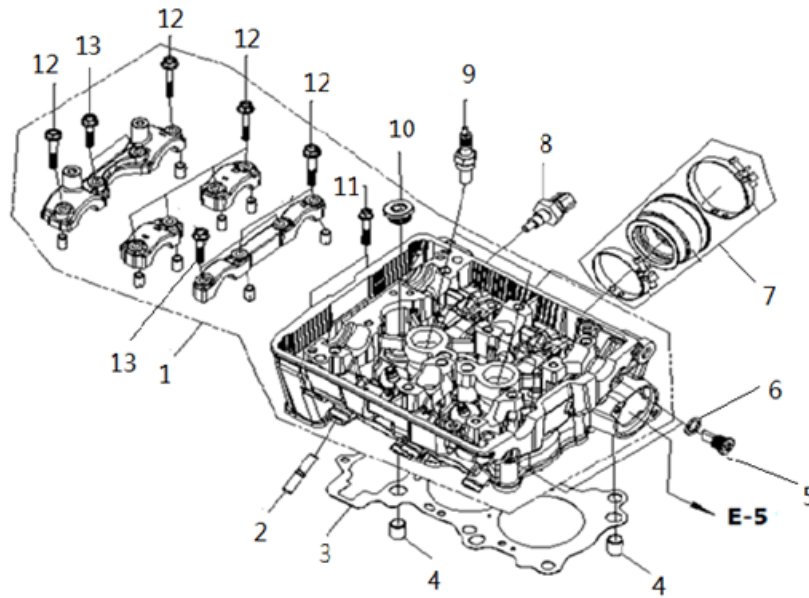
15	● DEFENSA TRASERA RH 0/000.220.4420 (u. 1)
16	● GOMA SILENTBLOCK Ø8xØ22x11 0/000.360.4422 (u. 4)
17	● CASQUILLO Ø8x12 0/000.480.4418 (u. 4)
18	● TORNILLO M8x25 0/000.460.4465 (u. 4)
19	● OUTPUT PINION PROTECTOR COVER ATTACH. BOLT 0/000.460.0285 (u. 1)
20	● INTERRUPTOR CABALLETE LATERAL 0/000.720.4409 (u. 1)
21	● TUERCA M5 0/000.340.4423 (u. 1)

CYLINDER HEAD COVER



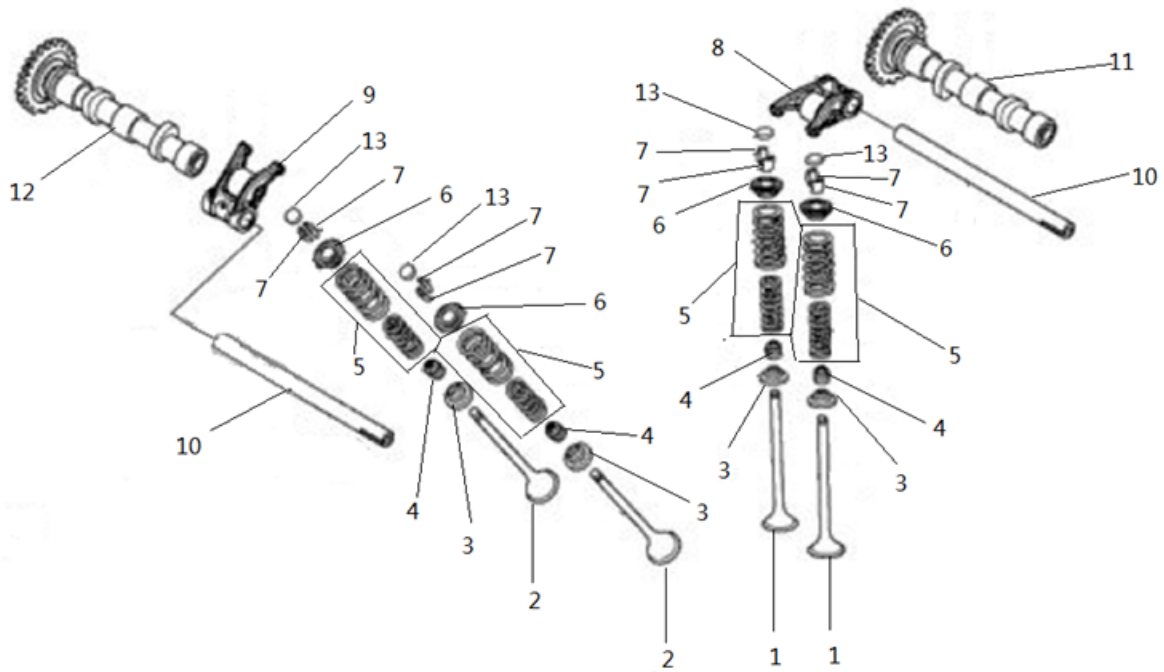
1	<ul style="list-style-type: none"> TAPA CULATA 0/000.350.4409 (u. 1) 	
2	<ul style="list-style-type: none"> TORNILLO HEXAGONAL CON ARANDELA M6x15 0/000.460.4469 (u. 4) 	
3	<ul style="list-style-type: none"> ANILLO GOMA Ø11,5xØ4 0/000.360.4424 (u. 4) 	
4	<ul style="list-style-type: none"> DESVAPORIZADOR ACEITE 0/001.070.4403 (u. 2) 	
5	<ul style="list-style-type: none"> VALVULA LAMINAS 0/005.600.4401 (u. 2) 	
6	<ul style="list-style-type: none"> TAPA VALVULA LAMINAS 0/000.350.4410 (u. 1) 	
7	<ul style="list-style-type: none"> TORNILLO HEXAGONAL CON ARANDELA M6x20 0/000.460.4470 (u. 2) 	OBSELETE
8	<ul style="list-style-type: none"> JUNTA PLACA SEPARACION ACEITE GASOLINA 0/000.490.4406 (u. 1) 	
9	<ul style="list-style-type: none"> PLACA SEPARACION ACEITE GASOLINA 0/000.480.4425 (u. 1) 	
10	<ul style="list-style-type: none"> TORNILLO HEXAGONAL CON ARANDELA M6x18 0/000.460.4471 (u. 2) 	
11	<ul style="list-style-type: none"> JUNTA CILINDRO 0/000.490.4402 (u. 1) 	
12	<ul style="list-style-type: none"> PASADOR POSICION Ø8X18 0/000.840.4401 (u. 2) 	
13	<ul style="list-style-type: none"> TUBO AIRE Ø12xØ18x150 0/000.290.4412 (u. 1) 	
14	<ul style="list-style-type: none"> ABRAZADERA Ø18,5x1,6 0/000.680.4410 (u. 1) 	
15	<ul style="list-style-type: none"> ABRAZADERA Ø16,5x1,6 0/000.680.4411 (u. 1) 	
16	<ul style="list-style-type: none"> CLIP 0/000.300.4401 (u. 2) 	

CYLINDER HEAD



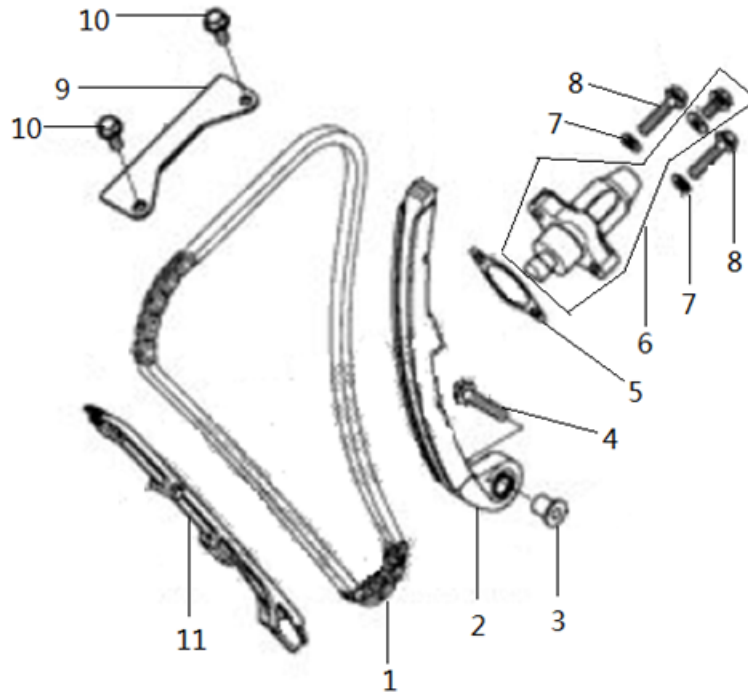
1	<ul style="list-style-type: none"> CULATA AVENTURA 500 0/005.770.4401 (u. 1)
2	<ul style="list-style-type: none"> ESPARRAGO M8x46 0/000.280.4401 (u. 4)
3	<ul style="list-style-type: none"> JUNTA CULATA 0/000.490.4405 (u. 1)
4	<ul style="list-style-type: none"> PASADOR POSICION Ø12x16 0/000.840.4402 (u. 2)
5	<ul style="list-style-type: none"> TORNILLO HEXAGONAL ALLEN M12x10 0/000.460.4472 (u. 2)
6	<ul style="list-style-type: none"> ARANDELA PLANA Ø12xØ17x1,5 0/000.440.4417 (u. 2)
7	<ul style="list-style-type: none"> PREMONTAGE TUBERIA ADMISION 0/000.290.4413 (u. 2)
8	<ul style="list-style-type: none"> SENSOR TEMPERATURA AGUA 0/001.010.4405 (u. 1)
9	<ul style="list-style-type: none"> BUJIA 0/005.110.4402 (u. 2)
10	<ul style="list-style-type: none"> TORNILLO HEXAGONAL ALLEN M18x10 0/000.460.4473 (u. 2)
11	<ul style="list-style-type: none"> TORNILLO HEXAGONAL CON ARANDELA M6x35 0/000.460.4474 (u. 2)
12	<ul style="list-style-type: none"> TORNILLO HEXAGONAL CON ARANDELA M6x40 0/000.460.4475 (u. 8)
13	<ul style="list-style-type: none"> TORNILLO HEXAGONAL CON ARANDELA M6x32 0/000.460.4476 (u. 4)

VALVES

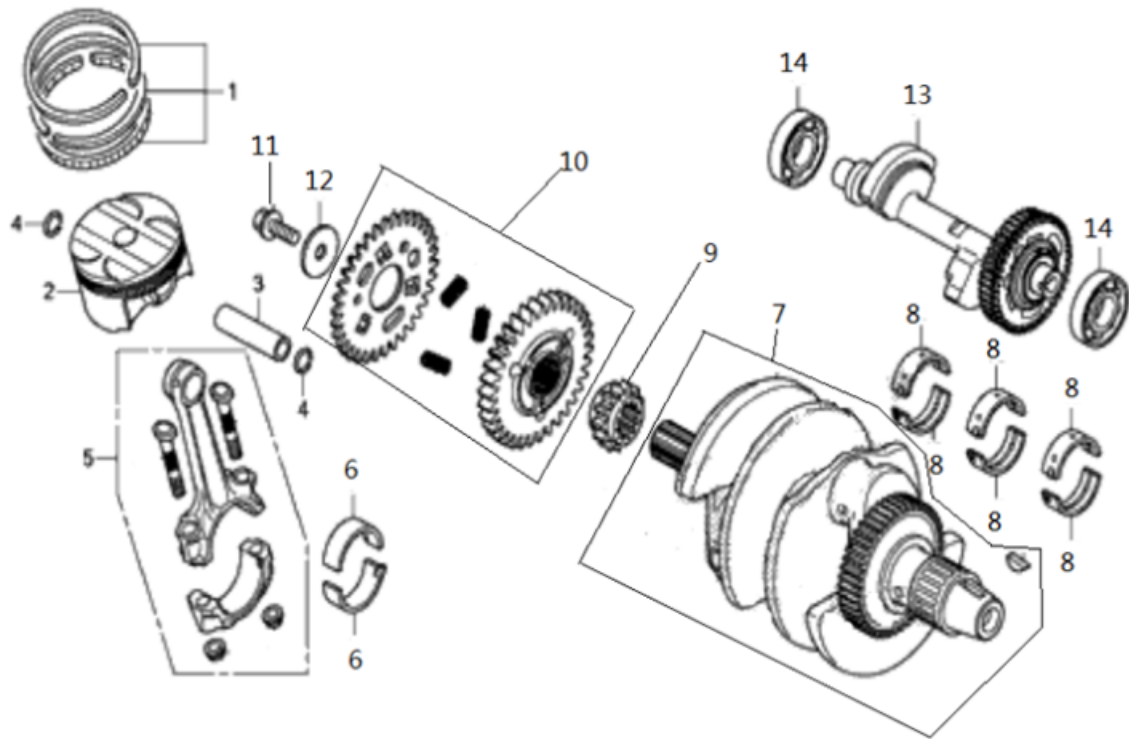


1	<ul style="list-style-type: none"> VALVULA ADMISION 0/000.640.4405 (u. 4)
2	<ul style="list-style-type: none"> VALVULA ESCAPE 0/000.640.4406 (u. 4)
3	<ul style="list-style-type: none"> RETEN MUELLE VALVULA 0/000.890.4406 (u. 8)
4	<ul style="list-style-type: none"> RETEN ACEITE VALVULA 0/000.890.4408 (u. 8)
5	<ul style="list-style-type: none"> MUELLE VALVULA 0/000.470.4404 (u. 8)
6	<ul style="list-style-type: none"> RETEN MUELLE VALVULA 0/000.890.4407 (u. 8)
7	<ul style="list-style-type: none"> CLIP SEGURO VALVULA 0/000.300.4403 (u. 16)
8	<ul style="list-style-type: none"> BRAZO BALANCIN ADMISION 0/005.159.4401 (u. 2)
9	<ul style="list-style-type: none"> BRAZO BALANCIN ESCAPE 0/005.159.4402 (u. 2)
10	<ul style="list-style-type: none"> EJE ARBOL LEVAS Ø10x156 0/000.190.4405 (u. 2)
11	<ul style="list-style-type: none"> ARBOL LEVAS ADMISION 0/005.010.4401 (u. 1)
12	<ul style="list-style-type: none"> ARBOL LEVAS ESCAPE 0/005.010.4402 (u. 1)
13	<ul style="list-style-type: none"> JUNTA AJUSTE VALVULA 0/000.490.4404 (u. 8)

TENSIONER CAM CHAIN

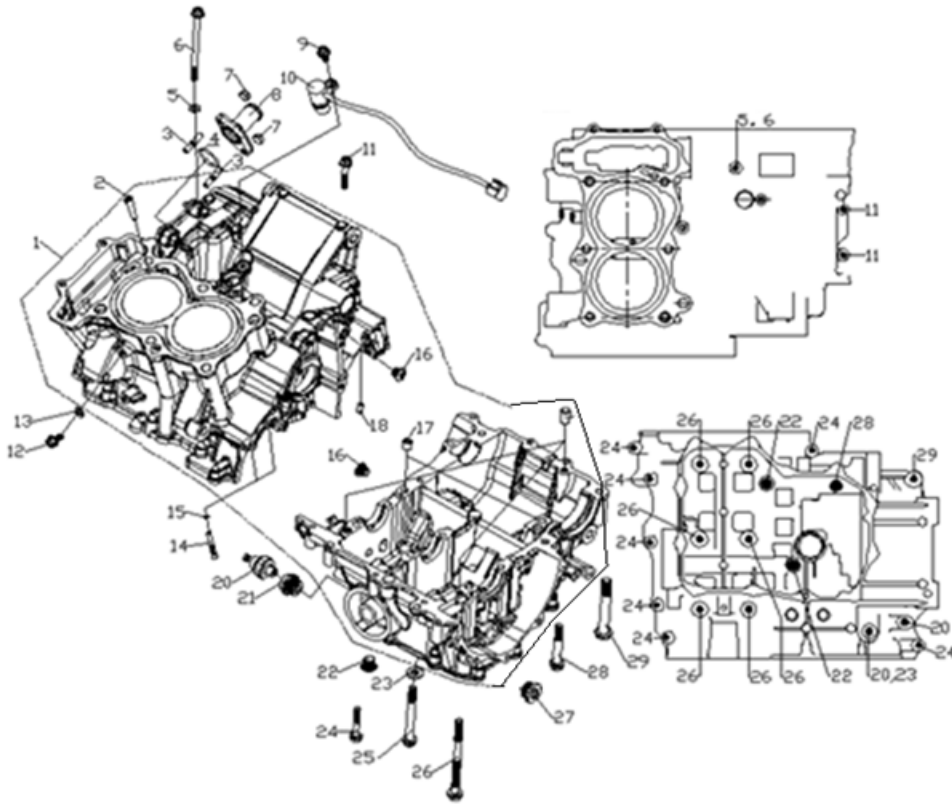


1	<ul style="list-style-type: none"> CADENA DISTRIBUCION 0/001.050.4402 (u. 1)
2	<ul style="list-style-type: none"> GUIA TENSOR CADENA DISTRIBUCION 0/000.710.4402 (u. 1)
3	<ul style="list-style-type: none"> CASQUILLO Ø10xØ6x13,2 0/000.480.4420 (u. 1)
4	<ul style="list-style-type: none"> TORNILLO HEXAGONAL M6x28 0/000.460.4477 (u. 1)
5	<ul style="list-style-type: none"> JUNTA TENSOR CADENA DISTRIBUCION 0/000.490.4403 (u. 1)
6	<ul style="list-style-type: none"> TENSOR CADENA DISTRIBUCION 0/000.380.4403 (u. 1)
7	<ul style="list-style-type: none"> ARANDELA PLANA Ø6,2xØ12x1,2 0/000.440.4418 (u. 2)
8	<ul style="list-style-type: none"> TORNILLO HEXAGONAL M6x25 0/000.460.4478 (u. 2)
9	<ul style="list-style-type: none"> PLACA LIMITE CADENA DISTRIBUCION 0/000.980.4420 (u. 1)
10	<ul style="list-style-type: none"> TORNILLO HEXAGONAL M6x14 0/000.460.4479 (u. 2)
11	<ul style="list-style-type: none"> GUIA CADENA DISTRIBUCION 0/000.710.4401 (u. 1)

CRANKSHAFT AND PISTON


1	<ul style="list-style-type: none"> JUEGO DE SEGMENTOS 0/005.714.4401 (u. 2)
2	<ul style="list-style-type: none"> PISTON Ø67 0/005.711.4401 (u. 2)
3	<ul style="list-style-type: none"> SEPARADOR Ø16x46 0/000.480.4421 (u. 2)
4	<ul style="list-style-type: none"> CIRCLIP Ø18xØ1 0/000.300.4402 (u. 4)
5	<ul style="list-style-type: none"> CJTO. BIELA AVENTURA 500 0/005.380.4401 (u. 2)
6	<ul style="list-style-type: none"> ALMOHADILLA BIELA Ø36x17 0/000.960.4419 (u. 4)
7	<ul style="list-style-type: none"> CIGÜEÑAL AVENTURA 500 0/005.380.4402 (u. 1)
8	<ul style="list-style-type: none"> ALMOHADILLA BIELA Ø3415 0/000.960.4420 (u. 6)
9	<ul style="list-style-type: none"> PIÑON CONDUCTOR 0/005.400.4410 (u. 1)
10	<ul style="list-style-type: none"> CONJUNTO CORONA CONDUCTORA 0/005.400.4409 (u. 1)
11	<ul style="list-style-type: none"> TORNILLO HEXAGONAL M10x1,25x25 0/000.460.4491 (u. 1)
12	<ul style="list-style-type: none"> ARANDELA PLANA Ø10xØ40x4 0/000.440.4421 (u. 1)
13	<ul style="list-style-type: none"> EJE BALANCE 0/000.190.4411 (u. 1)
14	<ul style="list-style-type: none"> COJINETE EJE BALANCE 0/000.960.4412 (u. 2)

CRANCKCASE

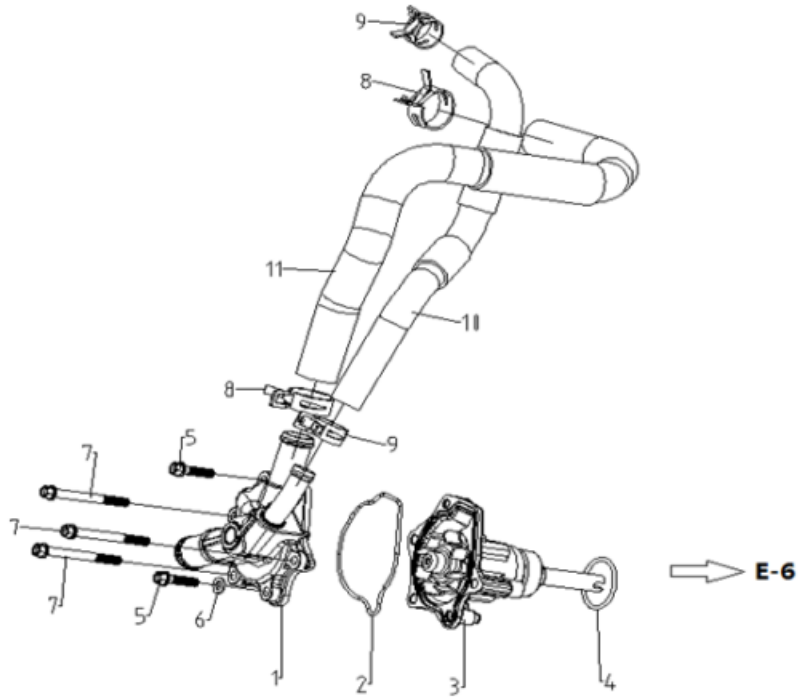


1	<ul style="list-style-type: none"> KIT CAJA CIGÜENAL 0/005.380.4403 (u. 1)
2	<ul style="list-style-type: none"> GOMA IMPERMEABLE 0/000.360.4429 (u. 1)
3	<ul style="list-style-type: none"> ESPARRAGO M6x29 0/000.280.4402 (u. 2)
4	<ul style="list-style-type: none"> ANILLO GOMA Ø22,8x2,5 0/000.360.4425 (u. 1)
5	<ul style="list-style-type: none"> ARANDELA PLANA Ø6,2xØ12x1,2 0/000.440.4419 (u. 1)
6	<ul style="list-style-type: none"> TORNILLO HEXAGONAL M6x95 0/000.460.4481 (u. 1)
7	<ul style="list-style-type: none"> TUERCA HEXAGONAL 0/000.340.4420 (u. 2)
8	<ul style="list-style-type: none"> TUBO UNION 0/000.290.4418 (u. 1)
9	<ul style="list-style-type: none"> TORNILLO HEXAGONAL CON ARANDELA M6x18 0/000.460.4471 (u. 1)
10	<ul style="list-style-type: none"> SENSOR VELOCIDAD 0/001.010.4408 (u. 1)
11	<ul style="list-style-type: none"> TORNILLO HEXAGONAL M6x35 0/000.460.4482 (u. 2)
12	<ul style="list-style-type: none"> TORNILLO HEXAGONAL M6x14 0/000.460.4479 (u. 1)
13	<ul style="list-style-type: none"> ARANDELA PLANA Ø6,2xØ12x1,2 0/000.440.4418 (u. 1)
14	<ul style="list-style-type: none"> SURTIDOR ACEITE Ø5xØ2,5x33 0/000.480.4423 (u. 2)
15	<ul style="list-style-type: none"> ANILLO GOMA Ø3,3xØ1,1 0/000.360.4426 (u. 2)

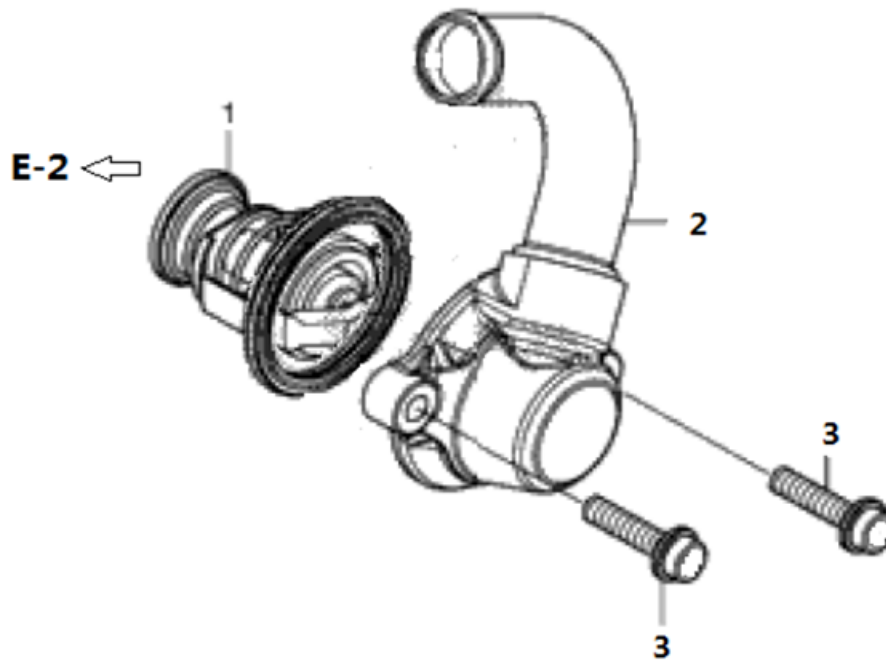
OBSOLETE

16	●	TORNILLO HEXAGONAL ALLEN M10X1,25X8 0/000.460.4483 (u. 2)
17	●	SURTIDOR ACEITE Ø9,5x10 0/000.480.4424 (u. 2)
18	●	EJE DE PASADOR 0/000.190.4408 (u. 1)
20	●	SENSOR PRESION ACEITE 0/001.010.4406 (u. 1)
21	●	TORNILLO HEXAGONAL M18x1,5x10 0/000.460.4484 (u. 1)
22	●	TORNILLO HEXAGONAL ALLEN M12x1x10 0/000.460.4485 (u. 2)
23	●	ARANDELA PLANA Ø8xØ18x2,5 0/000.440.4420 (u. 1)
24	●	TORNILLO HEXAGONAL M6x40 0/000.460.4486 (u. 7)
25	●	TORNILLO HEXAGONAL M8x75 0/000.460.4487 (u. 2)
26	●	TORNILLO HEXAGONAL M8x105 0/000.460.4488 (u. 6)
27	●	TORNILLO HEXAGONAL ALLEN M18x10 0/000.460.4473 (u. 1)
28	●	TORNILLO HEXAGONAL M8x55 0/000.460.4489 (u. 1)
29	●	TORNILLO HEXAGONAL M10x1,25x75 0/000.460.4490 (u. 1)

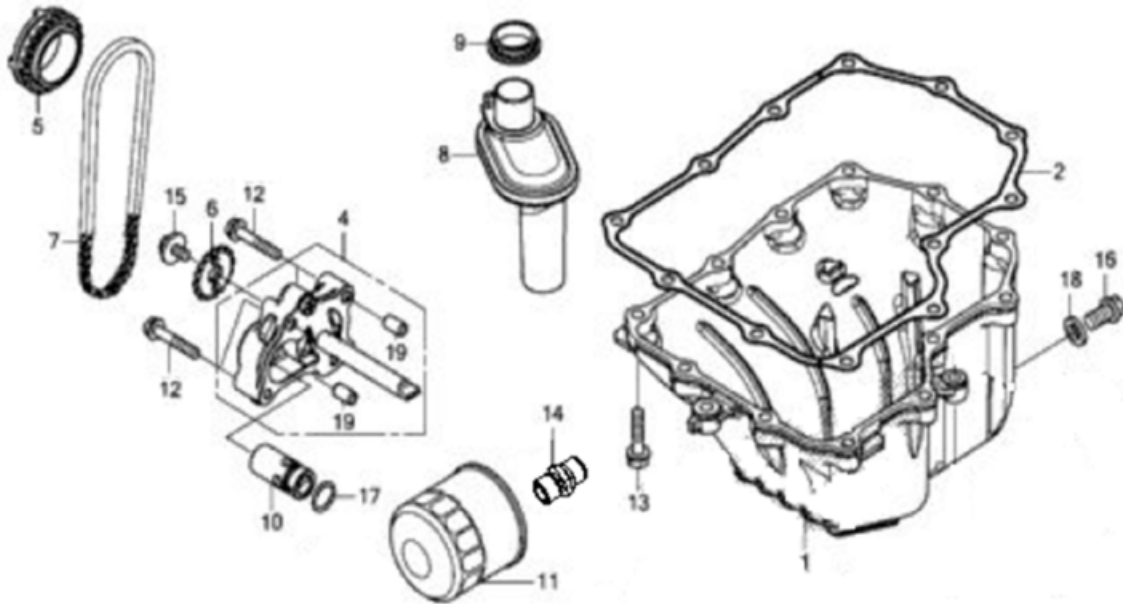
COOLANT PUMP



1	<ul style="list-style-type: none"> CUBIERTA BOMBA AGUA 0/000.350.4414 (u. 1)
2	<ul style="list-style-type: none"> JUNTA BOMBA AGUA 0/000.490.4410 (u. 1)
3	<ul style="list-style-type: none"> BOMBA AGUA 0/000.860.4406 (u. 1)
4	<ul style="list-style-type: none"> ANILLO GOMA Ø33x2,6 0/000.360.4431 (u. 1)
5	<ul style="list-style-type: none"> TORNILLO HEXAGONAL M6x25 0/000.460.4504 (u. 2)
6	<ul style="list-style-type: none"> ARANDELA PLANA Ø6,2xØ12x1,2 0/000.440.4418 (u. 1)
7	<ul style="list-style-type: none"> TORNILLO HEXAGONAL M6x60 0/000.460.4506 (u. 3)
8	<ul style="list-style-type: none"> ABRAZADERA DE TUBERIA Ø22 0/000.680.4412 (u. 2)
9	<ul style="list-style-type: none"> ABRAZADERA DE TUBERIA Ø28 0/000.680.4413 (u. 2)
10	<ul style="list-style-type: none"> TUBERIA AGUA CIRCULANTE 0/000.290.4415 (u. 1)
11	<ul style="list-style-type: none"> TUBERIA AGUA ENTRADA CILINDRO 0/000.290.4416 (u. 1)

THERMOSTAT

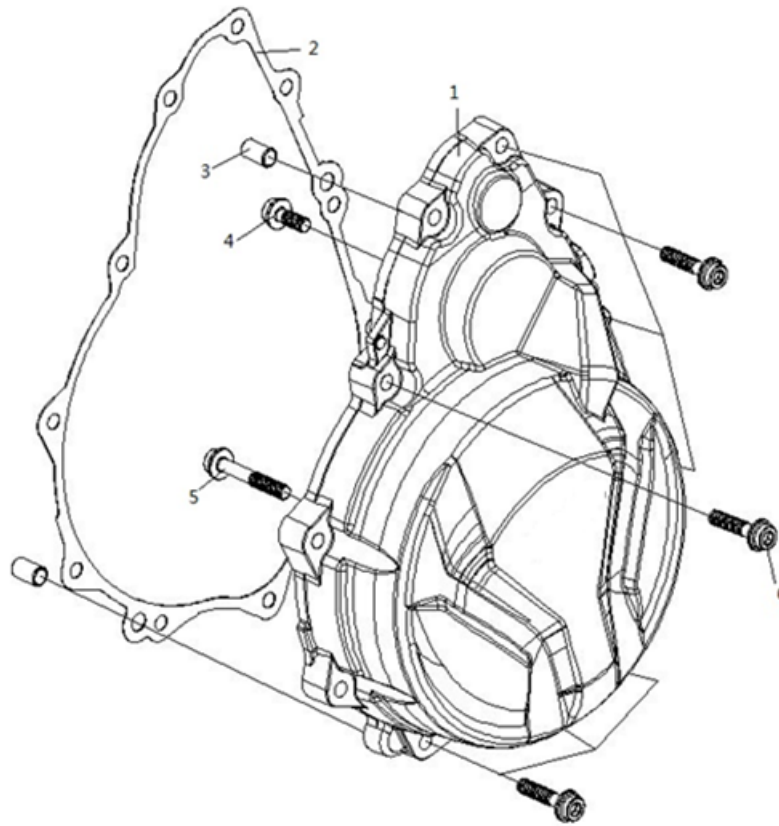
- | | | |
|---|---|---|
| 1 | ● | TERMOSTATO
0/001.010.4407 (u. 1) |
| 2 | ● | TUBO REFRIGERACION
0/000.290.4414 (u. 1) |
| 3 | ● | TORNILLO HEXAGONAL M6x22
0/000.460.4480 (u. 2) |

LUBRICATION SYSTEM


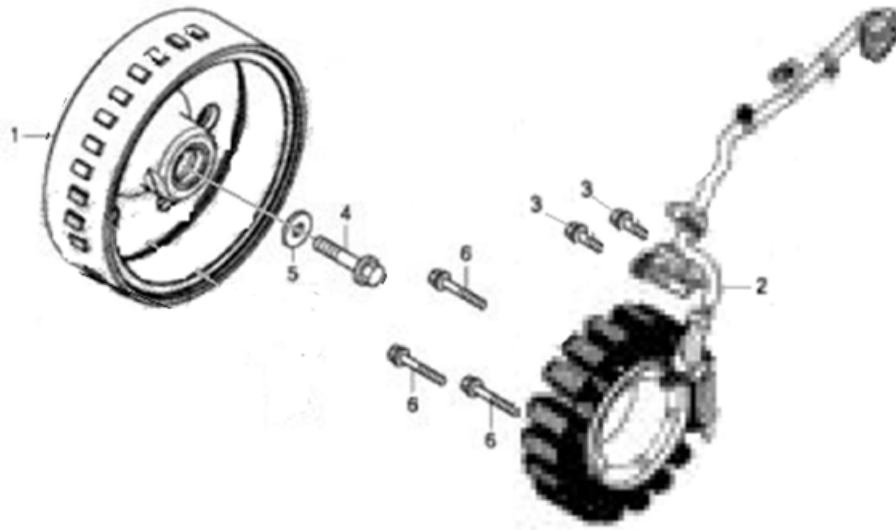
1	●	TAPA CARTER 0/000.350.4413 (u. 1)
2	●	JUNTA TAP CARTER 0/000.490.4409 (u. 1)
4	●	BOMBA ACEITE AVENTURA 500 0/000.860.4405 (u. 1)
5	●	PIÑON CONDUCTOR BOMBA ACEITE 0/005.400.4407 (u. 1)
6	●	PIÑON CONDUcido BOMBA ACEITE 0/005.400.4408 (u. 1)
7	●	CADENA BOMBA ACEITE 0/001.050.4403 (u. 1)
8	●	TUBERIA RECOGIDA ACEITE 0/000.290.4419 (u. 1)
9	●	ANILLO GOMA TUBERIA RECOGIDA ACEITE 0/000.360.4433 (u. 1)
10	●	VALVULA CONTROL ACEITE 0/000.640.4407 (u. 1)
11	●	FILTRO ACEITE 0/001.070.4402 (u. 1)
12	●	TORNILLO HEXAGONAL M6x35 0/000.460.4482 (u. 4)
13	●	TORNILLO HEXAGONAL 0/000.460.4507 (u. 12)
14	●	TUBO UNION FILTRO ACEITE 0/000.290.4417 (u. 1)
15	●	TORNILLO M6x12 CON ARANDELA Ø6xØ18x2,3 0/000.460.4494 (u. 1)
16	●	TORNILLO SELLADO M12x1,5x14,5 0/000.460.4508 (u. 1)
17	●	ANILLO GOMA Ø14,8x2,2 0/000.360.4432 (u. 1)
18	●	ARANDELA PLANA Ø12xØ20x2 0/000.440.4428 (u. 1)

19

- PASADOR POSICION Ø8x14
0/000.840.4403 (u. 2)

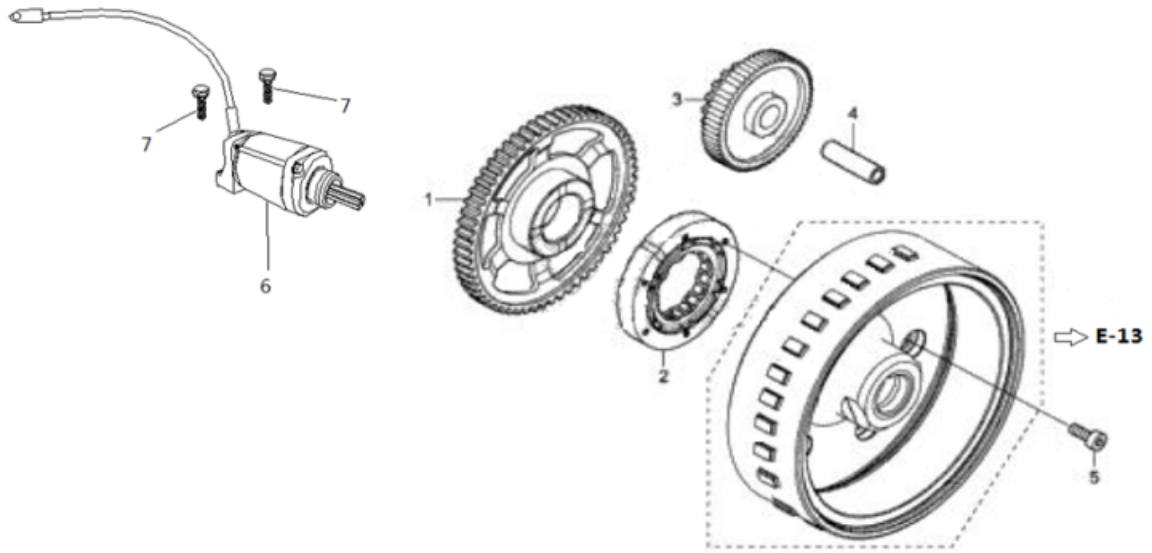
GENERATOR COVER


1	<ul style="list-style-type: none"> ● TAPA DELANTERA IZQUIERDA 0/000.350.4412 (u. 1)
2	<ul style="list-style-type: none"> ● JUNTA TAPA DELANTERA IZQUIERDA 0/000.490.4408 (u. 1)
3	<ul style="list-style-type: none"> ● PASADOR POSICION Ø8x14 0/000.840.4403 (u. 2)
4	<ul style="list-style-type: none"> ● TORNILLO HEXAGONAL M6x16 0/000.460.4499 (u. 2)
5	<ul style="list-style-type: none"> ● TORNILLO HEXAGONAL M6x40 0/000.460.4501 (u. 4)
6	<ul style="list-style-type: none"> ● TORNILLO HEXAGONAL M6x28 0/000.460.4498 (u. 11)

GENERATOR


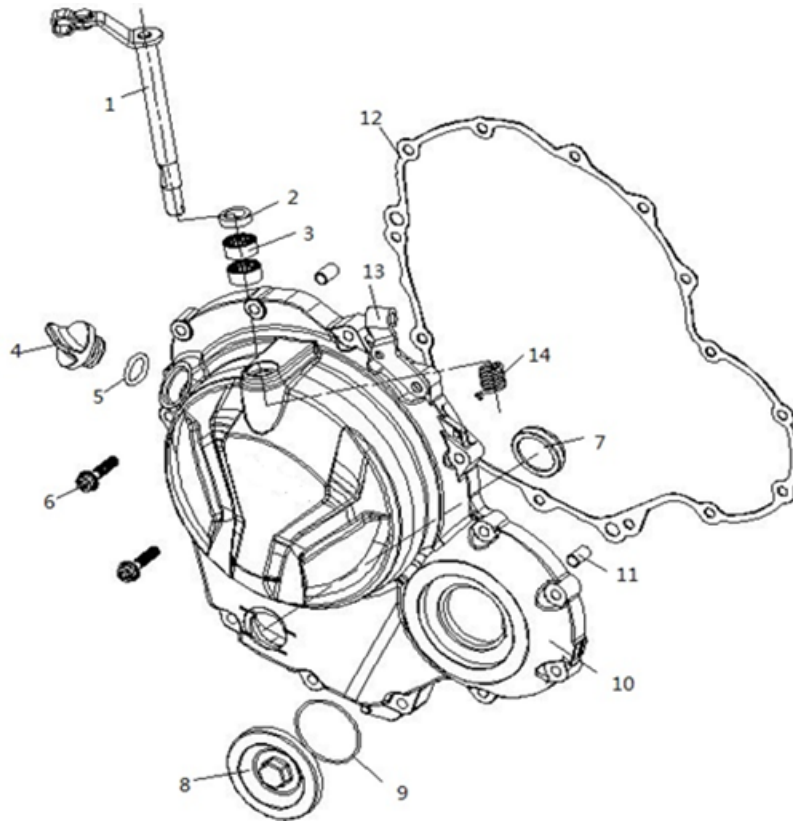
1	<ul style="list-style-type: none"> ● ROTOR VOLANTE MAGNETICO 0/005.820.4402 (u. 1)
2	<ul style="list-style-type: none"> ● BASE STATOR VOLANTE MAGNETICO 0/005.820.4401 (u. 1)
3	<ul style="list-style-type: none"> ● TORNILLO HEXAGONAL M6x16 0/000.460.4499 (u. 2)
4	<ul style="list-style-type: none"> ● TORNILLO HEXAGONAL M12x1,25x50 0/000.460.4500 (u. 1)
5	<ul style="list-style-type: none"> ● ARANDELA PLANA Ø12xØ30x5 0/000.440.4427 (u. 1)
6	<ul style="list-style-type: none"> ● TONRILLO HEXAGONAL M6x40 0/000.460.4501 (u. 4)

STARTER MOTOR



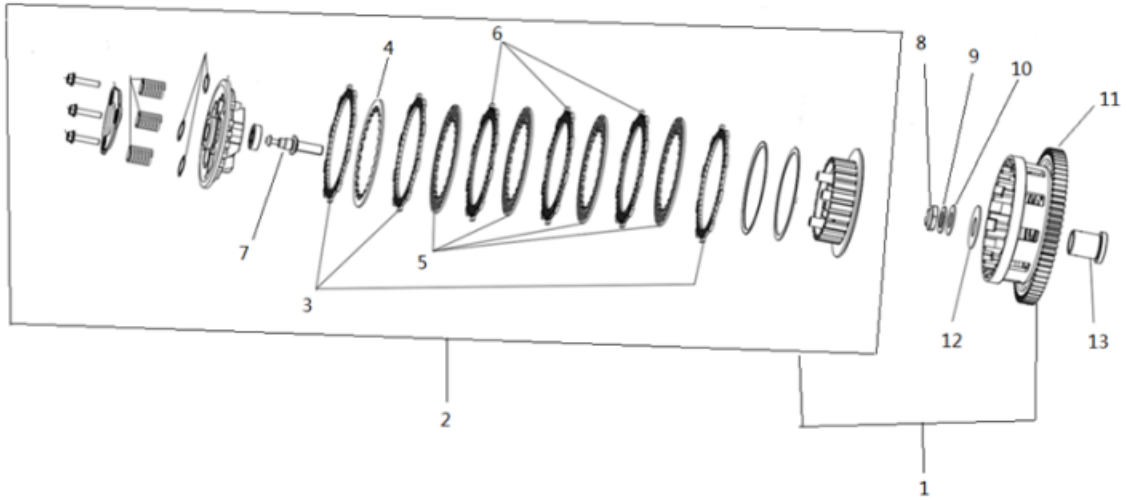
1	<ul style="list-style-type: none"> PIÑÓN ARRANQUE 0/005.400.4402 (u. 1)
2	<ul style="list-style-type: none"> EMBRAGUE ARRANQUE 0/005.350.4408 (u. 1)
3	<ul style="list-style-type: none"> PIÑÓN ARRANQUE PEQUEÑO 0/005.400.4403 (u. 1)
4	<ul style="list-style-type: none"> EJE PIÑÓN ARRANQUE 0/000.190.4410 (u. 1)
5	<ul style="list-style-type: none"> TORNILLO HEXAGONAL ALLEN 0/000.460.4502 (u. 6)
6	<ul style="list-style-type: none"> MOTOR ARRANQUE 0/005.480.4401 (u. 1)
7	<ul style="list-style-type: none"> TORNILLO HEXAGONAL M6x28 0/000.460.4477 (u. 2)

CLUTCH COVER

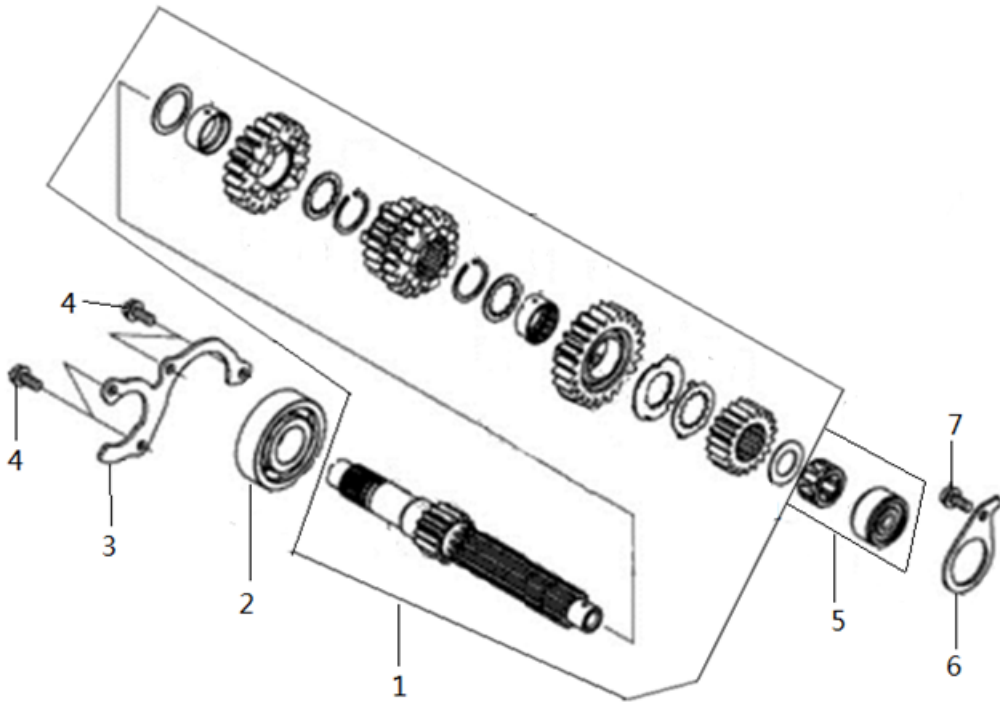


1	<ul style="list-style-type: none"> ● PALANCA DE EMBRAGUE 0/005.430.4402 (u. 1)
2	<ul style="list-style-type: none"> ● RETEN ACEITE Ø12xØ18x5 0/000.890.4410 (u. 1)
3	<ul style="list-style-type: none"> ● COJINETE 0/000.960.4417 (u. 2)
4	<ul style="list-style-type: none"> ● TAPON NIVEL ACEITE 0/000.410.4402 (u. 1)
5	<ul style="list-style-type: none"> ● ANILLO GOMA Ø18x3-3,5 0/000.360.4428 (u. 1)
6	<ul style="list-style-type: none"> ● TORNILLO HEXAGONAL M6x28 0/000.460.4498 (u. 14)
7	<ul style="list-style-type: none"> ● VENTANA INSPECCION ACEITE 0/000.410.4404 (u. 1)
8	<ul style="list-style-type: none"> ● TAPON DRENAJE ACEITE 0/000.410.4403 (u. 1)
9	<ul style="list-style-type: none"> ● ANILLO GOMA Ø48,2x3,55 0/000.360.4430 (u. 1)
10	<ul style="list-style-type: none"> ● CARCASA DERECHA CIGÜEÑAL 0/000.350.4411 (u. 1)
11	<ul style="list-style-type: none"> ● PASADOR POSICION Ø8x14 0/000.840.4403 (u. 2)
12	<ul style="list-style-type: none"> ● JUNTA CARCASA DERECHA CIGÜEÑAL 0/000.490.4407 (u. 1)
13	<ul style="list-style-type: none"> ● SOPORTE CABLE EMBRAGUE 0/000.980.4421 (u. 1)
14	<ul style="list-style-type: none"> ● MUELLE DE TORSION 0/000.470.4407 (u. 1)

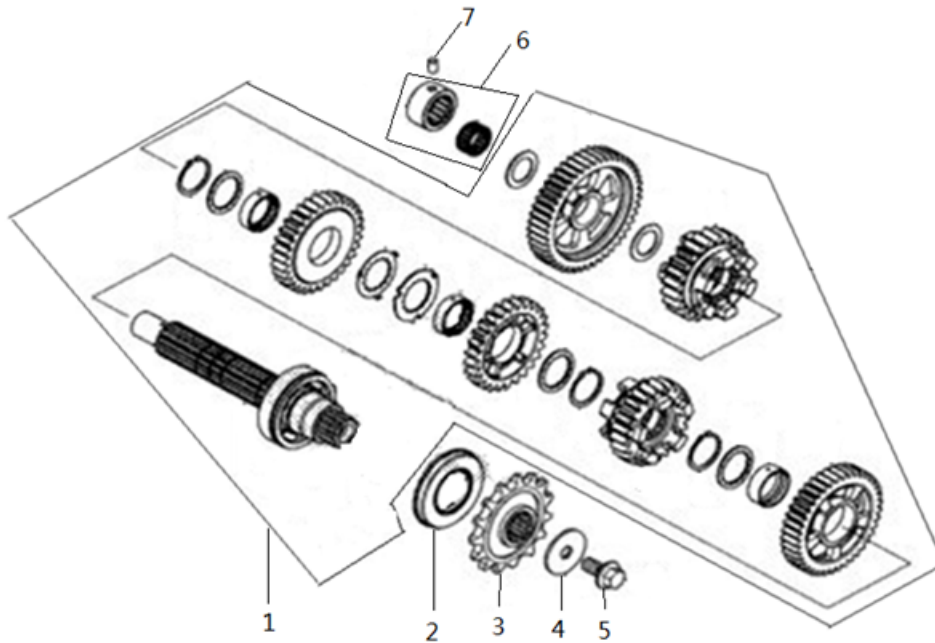
CLUTCH



1	<ul style="list-style-type: none"> ● CONJUNTO EMBRAGUE 0/005.350.4401 (u. 1)
2	<ul style="list-style-type: none"> ● CONJUNTO CUBO EMBRAGUE 0/005.350.4402 (u. 1)
3	<ul style="list-style-type: none"> ● DISCO EMBRAGUE FORRADO 0/005.350.4403 (u. 3)
4	<ul style="list-style-type: none"> ● DISCO EMBRAGUE ACERO 0/005.350.4404 (u. 1)
5	<ul style="list-style-type: none"> ● DISCO EMBRAGUE ACERO 0/005.350.4405 (u. 4)
6	<ul style="list-style-type: none"> ● DISCO EMBRAGUE FORRADO 0/005.350.4406 (u. 3)
7	<ul style="list-style-type: none"> ● EJE EMBRAGUE 0/000.190.4406 (u. 1)
8	<ul style="list-style-type: none"> ● TUERCA M18x1 0/000.340.4421 (u. 1)
9	<ul style="list-style-type: none"> ● ARANDELA Ø18xØ30x2,3 0/000.440.4423 (u. 1)
10	<ul style="list-style-type: none"> ● ARANDELA Ø18xØ34x1,6 0/000.440.4424 (u. 1)
11	<ul style="list-style-type: none"> ● CORONA EMBRAGUE 0/005.350.4407 (u. 1)
12	<ul style="list-style-type: none"> ● ARANDELA Ø22xØ49x1,6 0/000.440.4425 (u. 1)
13	<ul style="list-style-type: none"> ● CASQUILLO Ø28xØ22x38,2 0/000.480.4422 (u. 1)

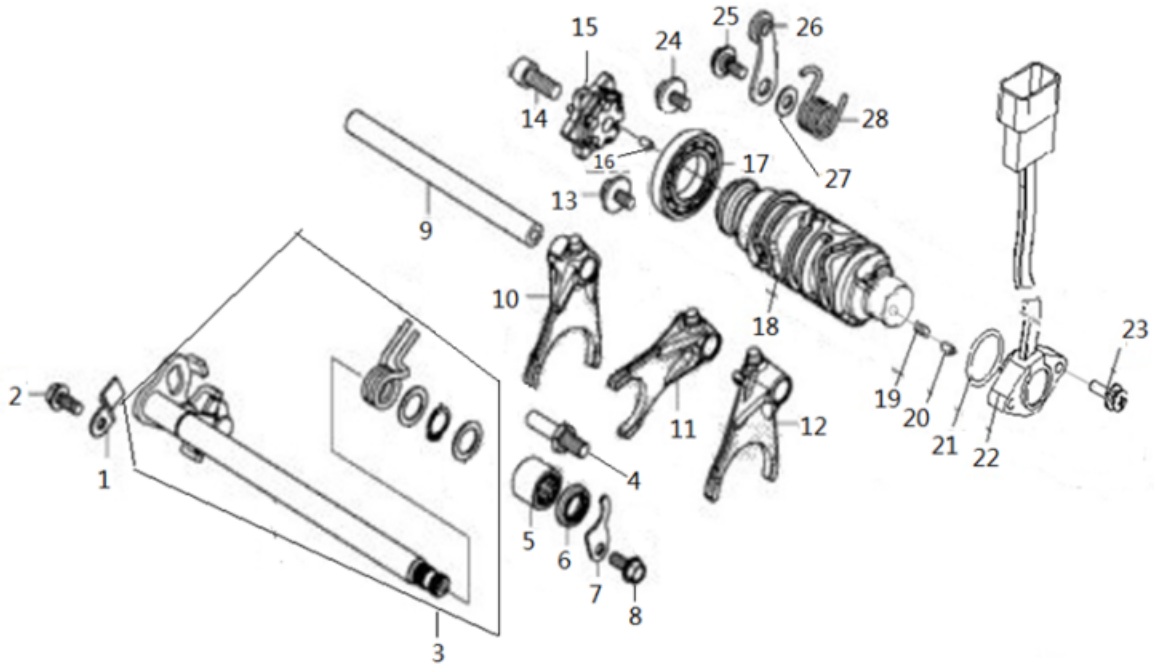
MAIN SHAFT


1	<ul style="list-style-type: none"> ● CONJUNTO EJE PRINCIPAL 0/005.400.4404 (u. 1)
2	<ul style="list-style-type: none"> ● COJINETE 0/000.960.4413 (u. 1)
3	<ul style="list-style-type: none"> ● PLETINA FIJACION EJE PRINCIPAL 0/000.980.4422 (u. 1)
4	<ul style="list-style-type: none"> ● TORNILLO HEXAGONAL M6x14 0/000.460.4479 (u. 2)
5	<ul style="list-style-type: none"> ● MONTAGE COJINETES 0/000.960.4414 (u. 1)
6	<ul style="list-style-type: none"> ● PLETINA FIJACION COJINETE EJE PRINCIPAL 0/000.980.4423 (u. 1)
7	<ul style="list-style-type: none"> ● TORNILLO HEXAGONAL M6x14 0/000.460.4492 (u. 1)

SECONDARY SHAFT


1	<ul style="list-style-type: none"> ● CONJUNTO EJE SECUNDARIO 0/005.400.4405 (u. 1)
2	<ul style="list-style-type: none"> ● RETEN ACEITE Ø34xØ62x8 0/000.890.4411 (u. 1)
3	<ul style="list-style-type: none"> ● PIÑON CONDUCTOR DEL EJE SECUNDARIO 0/005.400.4406 (u. 1)
4	<ul style="list-style-type: none"> ● ARANDELA PLANA Ø10xØ37x2,5 0/000.440.4422 (u. 1)
5	<ul style="list-style-type: none"> ● TORNILLO HEXAGONAL M10x1,25x22 0/000.460.4493 (u. 1)
6	<ul style="list-style-type: none"> ● MONTAGE COJINETES 0/000.960.4418 (u. 1)
7	<ul style="list-style-type: none"> ● EJE DE PASADOR 0/000.190.4408 (u. 1)

GEAR SHIFT



1	<ul style="list-style-type: none"> ● PLACA LIMITE ARBOL SELECTOR 0/000.980.4424 (u. 1)
2	<ul style="list-style-type: none"> ● TORNILLO HEXAGONAL CON ARANDELA M6x18 0/000.460.4471 (u. 1)
3	<ul style="list-style-type: none"> ● ARBOL SELECTOR COMPLETO 0/005.010.4403 (u. 2)
4	<ul style="list-style-type: none"> ● TORNILLO BRAZO CAMBIO M8x14,5 0/000.460.4503 (u. 1)
5	<ul style="list-style-type: none"> ● COJINETE 14x22x16 0/000.960.4415 (u. 1)
6	<ul style="list-style-type: none"> ● RETEN ACEITE Ø14xØ22x5 0/000.890.4409 (u. 1)
7	<ul style="list-style-type: none"> ● PLACA ASENTAMIENTO ACEITE 0/000.980.4425 (u. 1)
8	<ul style="list-style-type: none"> ● TORNILLO HEXAGONAL M6x14 0/000.460.4479 (u. 1)
9	<ul style="list-style-type: none"> ● EJE HORQUILLA CAMBIO 0/000.190.4407 (u. 1)
10	<ul style="list-style-type: none"> ● HORQUILLA DE CAMBIO DERECHA 0/005.330.4401 (u. 1)
11	<ul style="list-style-type: none"> ● HORQUILLA DE CAMBIO CENTRAL 0/005.330.4402 (u. 1)
12	<ul style="list-style-type: none"> ● HORQUILLA DE CAMBIO IZQUIERDA 0/005.330.4403 (u. 1)
13	<ul style="list-style-type: none"> ● TORNILLO M6x12 CON ARANDELA Ø6xØ18x2,3 0/000.460.4494 (u. 2)
14	<ul style="list-style-type: none"> ● TORNILLO HEXAGONAL ALLEN M8x20 0/000.460.4495 (u. 1)
15	<ul style="list-style-type: none"> ● BASE PRESELECTOR 0/005.090.4401 (u. 1)
16	<ul style="list-style-type: none"> ● EJE DE PASADOR 0/000.190.4409 (u. 1)

17	● COJINETE 0/000.960.4416 (u. 1)
18	● TAMBOR CAMBIO MARCHAS 0/005.010.4404 (u. 1)
19	● MUELLE DE COMPRESION 0/000.470.4405 (u. 1)
20	● CONTACTO INDICADOR MARCHA 0/000.720.4407 (u. 1)
21	● ANILLO GOMA Ø20xØ2,5 0/000.360.4427 (u. 1)
22	● INTERRUPTOR INDICADOR MARCHA 0/000.720.4406 (u. 1)
23	● TORNILLO CON ARANDELA M4x18 0/000.460.4496 (u. 2)
24	● TORNILLO M6x12 CON ARANDELA Ø6xØ18x2,3 0/000.460.4494 (u. 2)
25	● TORNILLO FIJACION LEVA CAMBIO M6x13,5 0/000.460.4497 (u. 1)
26	● LEVA SELECTOR INTERNA 0/005.430.4403 (u. 1)
27	● ARANDELA PLANA 0/000.440.4426 (u. 1)
28	● MUELLE FIJADOR MARCHAS 0/000.470.4406 (u. 1)