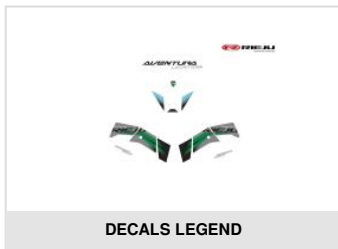
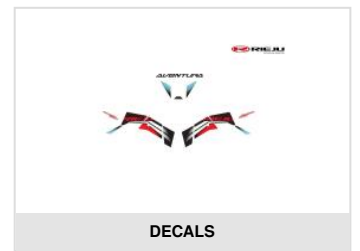
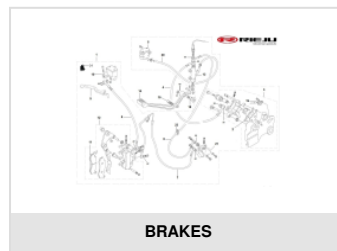
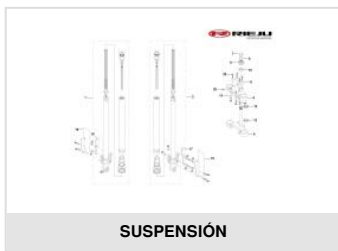
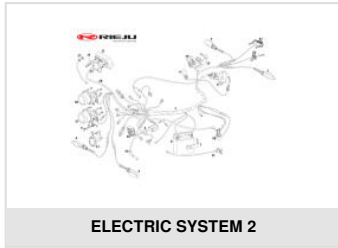


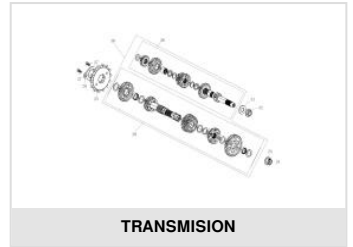
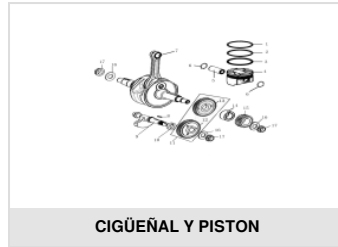
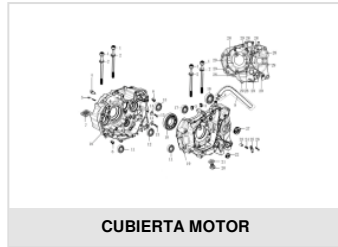
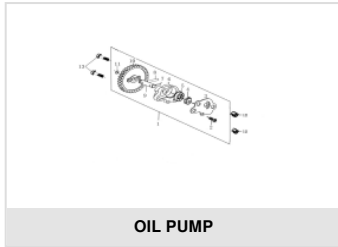
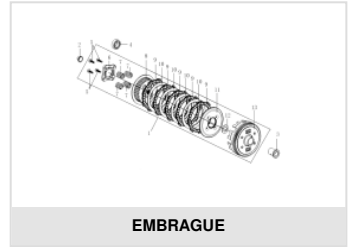
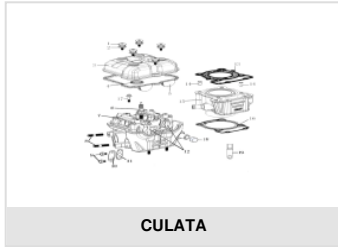


AVENTURA 125 E5 Red 2023

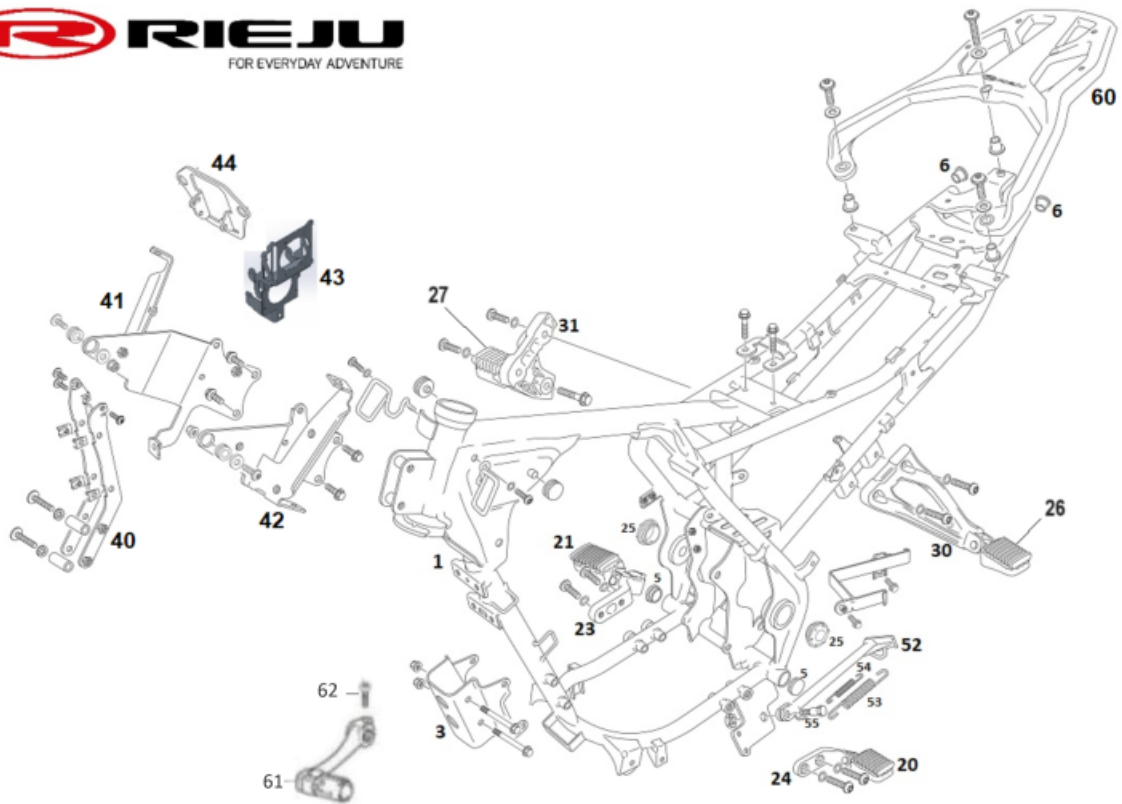
Exploded



ZY125 E5 125 AVENTURA



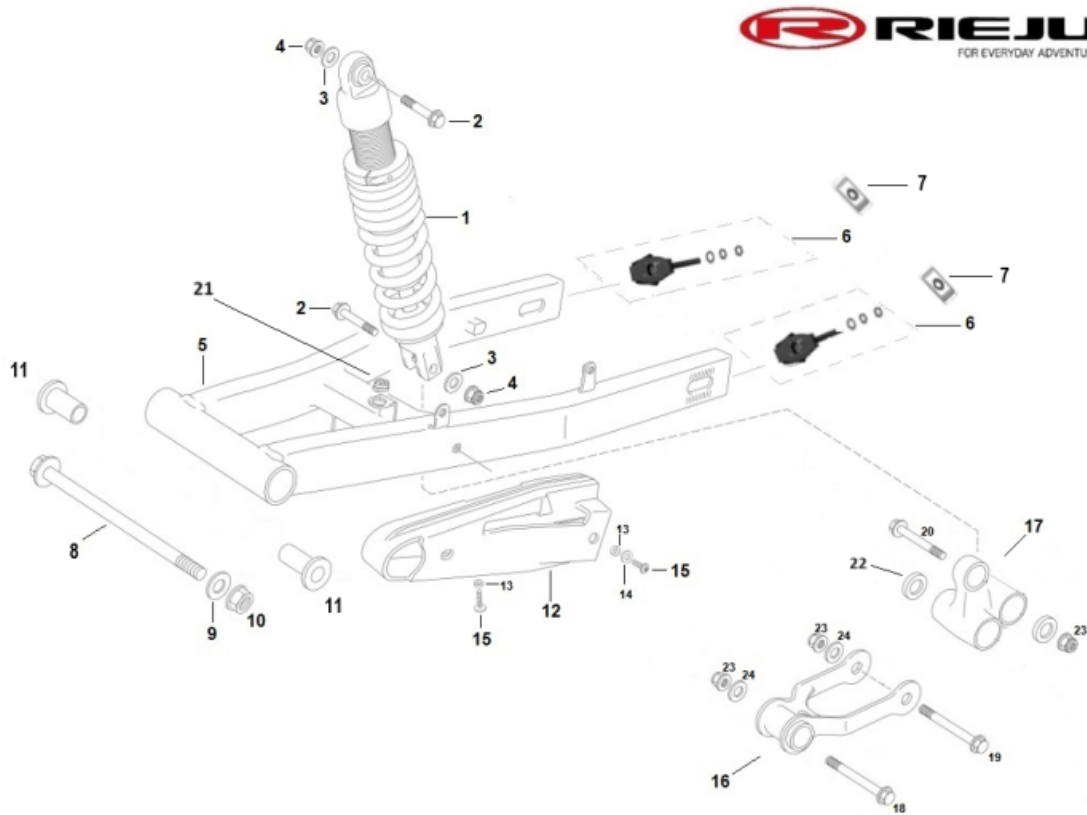
CHASSIS



1	● CHASIS COMPLETO AVENTURA 0/000.010.4300 (u. 1)
3	● SOPORTE MOTOR DEL. 0/000.980.4325 (u. 1)
4	● SOPORTE MOTOR SUPERIOR RH 0/000.980.4326 (u. 1)
5	● TAPON GOMA CHASIS 0/000.410.4301 (u. 1)
6	● TAPON GOMA TRASERO CHASIS 0/000.410.4302 (u. 2)
8	● CASQUILLO BASCULANTE 0/000.480.4313 (u. 1)
10	● CJTO. BALANCIN AVENTURA 0/000.980.4327 (u. 1)
16	● TUERCA M10x1.25 0/000.340.4301 (u. 2)
18	● ARANDELA Ø10x25x2 0/000.440.4300 (u. 1)
19	● ARANDELA Ø10x29x2 0/000.440.4301 (u. 1)
20	● ESTRIBERA DEL. LH 0/000.740.4300 (u. 1)
21	● ESTRIBERA DEL. RH 0/000.740.4301 (u. 1)
23	● SOPORTE ESTRIBERA DEL. RH 0/000.980.4322 (u. 1)
24	● SOPORTE ESTRIBERA DEL. RH 0/000.980.4322 (u. 1)
25	● TAPON GOMA BASCULANTE 0/000.410.4300 (u. 1)

26	<ul style="list-style-type: none"> CJTO ESTRIBERAS TRASERAS LH AVENTURA 125 0/K00.740.4301 (u. 1)
27	<ul style="list-style-type: none"> CJTO ESTRIBERAS TRASERAS RH AVENTURA 125 0/K00.740.4300 (u. 1)
30	<ul style="list-style-type: none"> SOPORTE ESTRIBERA TRAS LH 0/000.980.4331 (u. 1)
31	<ul style="list-style-type: none"> SOPORTE ESTRIBERA TRAS RH 0/000.980.4332 (u. 1)
33	<ul style="list-style-type: none"> TORNILLO ISO 7380 Torx T-40 M8x30 INOX 0/000.460.0114 (u. 1)
34	<ul style="list-style-type: none"> SAFETY WASHER AET M8 Cal.A2 INOX 0/000.440.0016 (u. 1)
40	<ul style="list-style-type: none"> U SOPORTE C/KM 0/000.980.4307 (u. 1)
41	<ul style="list-style-type: none"> LATERAL SOPORTE FARO RH 0/000.980.4302 (u. 1)
42	<ul style="list-style-type: none"> LATERAL SOPORTE FARO LH 0/000.980.4301 (u. 1)
43	<ul style="list-style-type: none"> SOPORTE FARO CENTRAL 0/000.980.4305 (u. 1)
44	<ul style="list-style-type: none"> SOPORTE C/KM 0/000.980.4306 (u. 1)
52	<ul style="list-style-type: none"> CABALLETE LATERAL AVENTURA 0/000.210.4301 (u. 1)
53	<ul style="list-style-type: none"> MUELLE CABALLETE LATERAL 0/000.470.4301 (u. 1)
54	<ul style="list-style-type: none"> MUELLE INTERNO CABALLETE LATERAL 0/000.470.4302 (u. 1)
55	<ul style="list-style-type: none"> TORNILLO CABALLETE LATERAL 0/000.460.4304 (u. 1)
56	<ul style="list-style-type: none"> TUERCA M10x1.25 0/000.340.4303 (u. 2)
59	<ul style="list-style-type: none"> TUERCA M10x1.25 0/000.340.4301 (u. 1)
60	<ul style="list-style-type: none"> SOPORTE ASIDERO 0/000.980.4312 (u. 1)
61	<ul style="list-style-type: none"> GEAR CHANGE PEDAL 0/005.430.6001 (u. 1)
62	<ul style="list-style-type: none"> METRIC SCREW 6 x 22 0/000.460.0310 (u. 1)

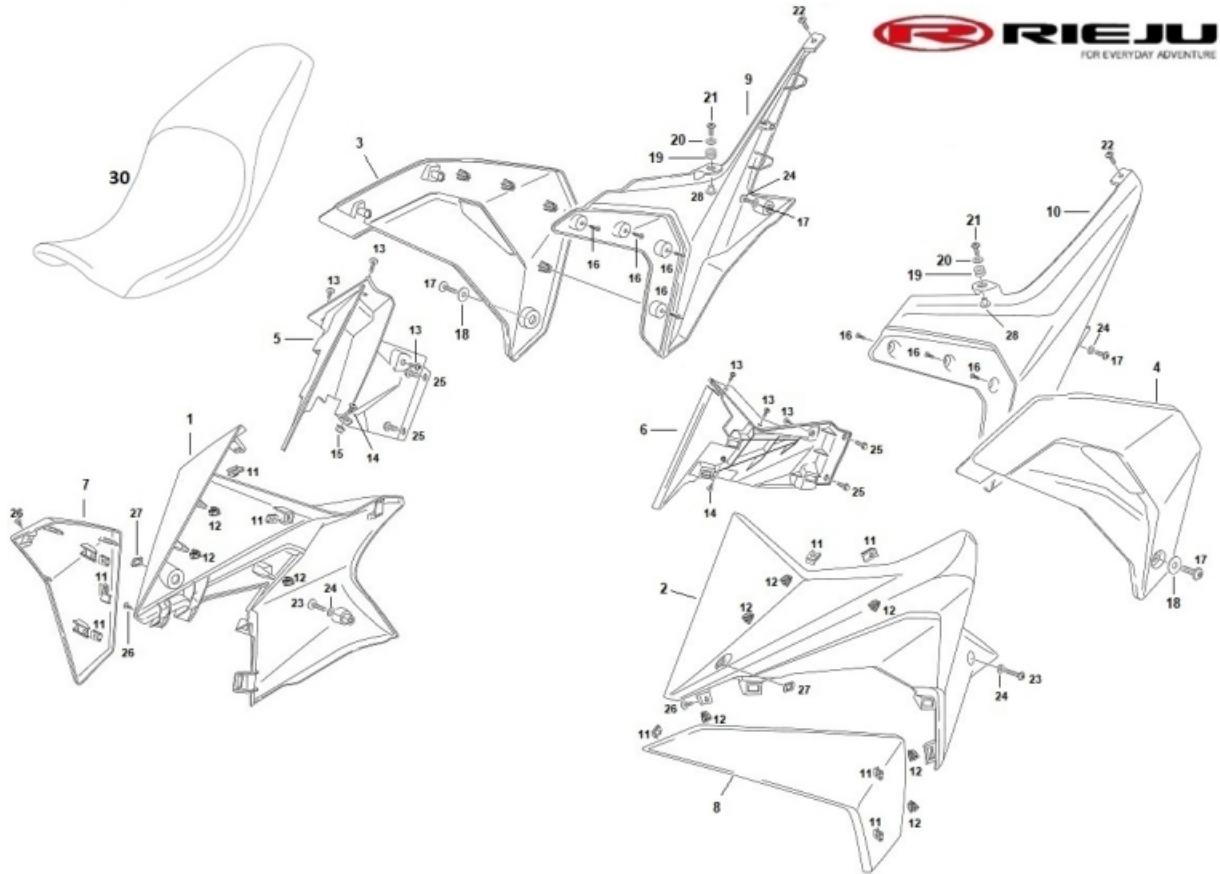
SHOCK ABSORBER - SWINGARM



1	<ul style="list-style-type: none"> AMORTIGUADOR AVENTURA 0/000.180.4300 (u. 1)
2	<ul style="list-style-type: none"> TORNILLO M10x54 BALANCIN A AMORTIGUADOR 0/000.460.4303 (u. 2)
3	<ul style="list-style-type: none"> ARANDELA Ø10x25x2 0/000.440.4300 (u. 2)
4	<ul style="list-style-type: none"> TUERCA M10x1.25 0/000.340.4301 (u. 2)
5	<ul style="list-style-type: none"> BASCULANTE AVENTURA 0/000.020.4300 (u. 1)
6	<ul style="list-style-type: none"> CTO. TENSOR CADENA 0/000.380.4300 (u. 2)
7	<ul style="list-style-type: none"> TOPE TENSOR CADENA 0/000.380.4301 (u. 1)
8	<ul style="list-style-type: none"> EJE BASCULANTE AVENTURA 0/000.190.4302 (u. 1)
9	<ul style="list-style-type: none"> SWING ARM SHAFT WASHER 0/000.440.0123 (u. 1)
10	<ul style="list-style-type: none"> SWING ARM SHAFT NUT 0/000.340.0186 (u. 1)
11	<ul style="list-style-type: none"> CASQUILLO BASCULANTE 0/000.480.4313 (u. 2)
12	<ul style="list-style-type: none"> GOMA PATIN CADENA 0/000.710.4300 (u. 1)
13	<ul style="list-style-type: none"> BUSH 0/000.480.5009 (u. 2)
14	<ul style="list-style-type: none"> WASHER 0/000.440.0130 (u. 1)

15	<ul style="list-style-type: none"> ● SCREW M6X20 0/000.460.3031 (u. 2)
16	<ul style="list-style-type: none"> ● BIELETA 0/000.770.4300 (u. 1)
17	<ul style="list-style-type: none"> ● CJTO. BALANCIN AVENTURA 0/000.980.4327 (u. 1)
18	<ul style="list-style-type: none"> ● TORNILLO M12x100 BIELETA A CHASIS 0/000.460.4300 (u. 1)
19	<ul style="list-style-type: none"> ● TORNILLO M12x105 BALANCIN A BIELETA 0/000.460.4302 (u. 1)
20	<ul style="list-style-type: none"> ● TORNILLO M12x75 BALANCIN A BASCULANTE 0/000.460.4301 (u. 1)
21	<ul style="list-style-type: none"> ● GOMA CENTRADOR PROTECTOR CADENA 0/000.360.4316 (u. 1)
22	<ul style="list-style-type: none"> ● ARANDELA Ø24 x Ø12,50 x 1 INOX 0/000.440.4310 (u. 1)
23	<ul style="list-style-type: none"> ● TUERCA M12x1.25 0/000.340.4300 (u. 3)
24	<ul style="list-style-type: none"> ● ARANDELA Ø10x29x2 0/000.440.4301 (u. 3)

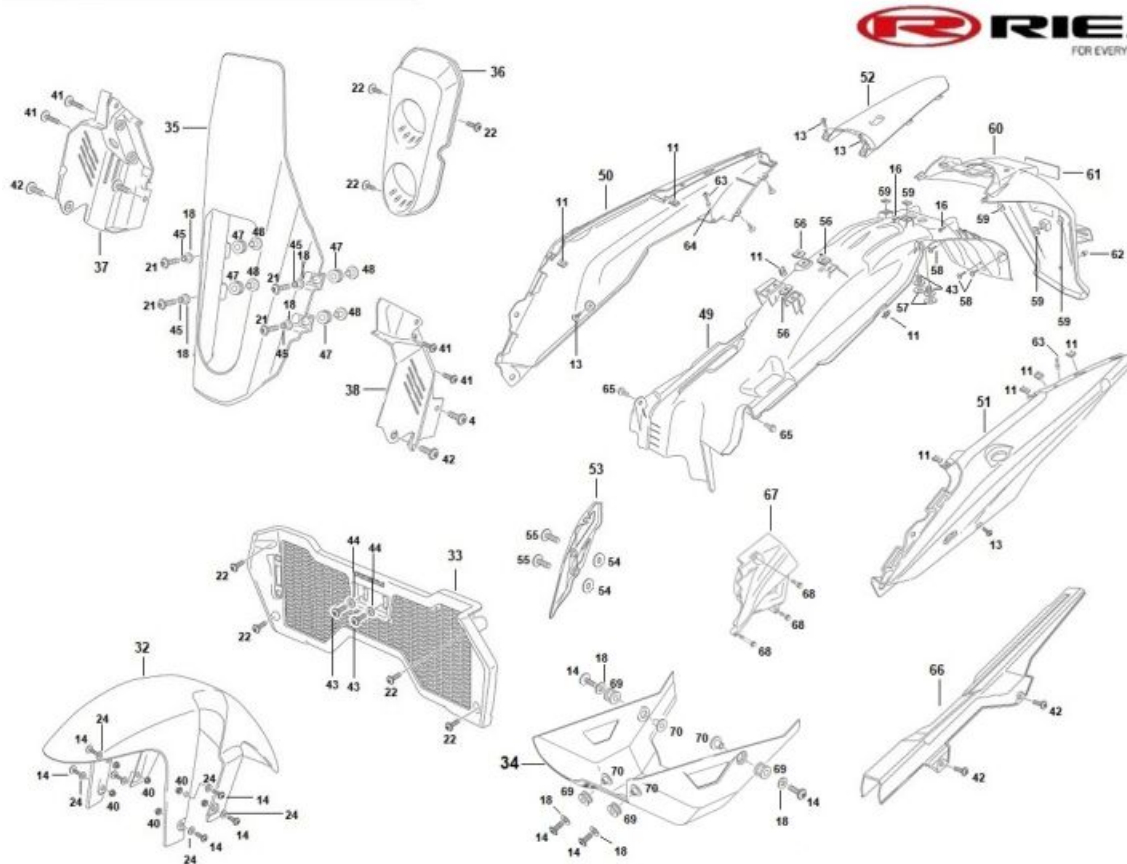
PLASTICS 1



1	<ul style="list-style-type: none"> TAPA RADIADOR RH ROJA 0/000.570.4316 (u. 1)
2	<ul style="list-style-type: none"> TAPA RADIADOR LH ROJA 0/000.570.4317 (u. 1)
3	<ul style="list-style-type: none"> EMBELLECEDOR TAPA LATERAL RH CON CALCA 390.4300 0/R00.220.4301 (u. 1)
4	<ul style="list-style-type: none"> EMBELLECEDOR TAPA LATERAL LH CON CALCA 390.4300 0/R00.220.4302 (u. 1)
5	<ul style="list-style-type: none"> TAPA INTERIOR RADIADOR RH 0/000.570.4302 (u. 1)
6	<ul style="list-style-type: none"> TAPA INTERIOR RADIADOR LH 0/000.570.4303 (u. 1)
7	<ul style="list-style-type: none"> EMBELLECEDOR TAPA RADIADOR RH 0/000.220.4303 (u. 1)
8	<ul style="list-style-type: none"> EMBELLECEDOR TAPA RADIADOR LH 0/000.220.4304 (u. 1)
9	<ul style="list-style-type: none"> TAPA LATERAL TRASERA RH ROJA 0/000.570.4318 (u. 1)
10	<ul style="list-style-type: none"> TAPA LATERAL TRASERA LH ROJA 0/000.570.4319 (u. 1)
11	<ul style="list-style-type: none"> QUICK NUT M5 0/000.340.5100 (u. 15)
12	<ul style="list-style-type: none"> GRAPA MUELLE TAPAS LATERALES 0/000.680.4306 (u. 5)
13	<ul style="list-style-type: none"> TORNILLO ISO 7380 Torx T-25 con arandela M5x10 INOX 0/000.460.0105 (u. 6)
14	<ul style="list-style-type: none"> SCREW ISO-7380+AR ZINC M6X16 0/000.460.2023 (u. 2)

15	<ul style="list-style-type: none"> PASSENGER FOOTREST NUT 0/000.340.0170 (u. 2)
16	<ul style="list-style-type: none"> TORNILLO CELO RF82T 4x12 Torx Z/BLANCO 0/000.460.0053 (u. 1)
17	<ul style="list-style-type: none"> SCREW ISO-7380+AR ZINC M6X16 0/000.460.2023 (u. 4)
18	<ul style="list-style-type: none"> WASHER 0/000.440.0130 (u. 2)
19	<ul style="list-style-type: none"> GROMMET 0/000.360.4002 (u. 2)
20	<ul style="list-style-type: none"> WASHER 0/000.440.0130 (u. 2)
21	<ul style="list-style-type: none"> SCREW M6X20 0/000.460.3031 (u. 2)
22	<ul style="list-style-type: none"> TORNILLO ISO 7380 Torx T-25 con arandela M5x10 INOX 0/000.460.0105 (u. 2)
23	<ul style="list-style-type: none"> SCREW 0/000.460.3033 (u. 2)
24	<ul style="list-style-type: none"> NYLON WASHER 0/000.440.5000 (u. 4)
25	<ul style="list-style-type: none"> TORNILLO DIN 6921 M6x10 0/000.460.6203 (u. 4)
26	<ul style="list-style-type: none"> TORNILLO ISO 7380 Torx T-25 con arandela M5x10 INOX 0/000.460.0105 (u. 2)
27	<ul style="list-style-type: none"> BLOQUEADOR INTERMITENTES AVENTURA 0/000.570.4315 (u. 2)
28	<ul style="list-style-type: none"> CASQUILLO Ø18xØ6xL=11,50 Z/BLANCO 0/000.480.4319 (u. 2)
30	<ul style="list-style-type: none"> SILLIN COMPLETO AVENTURA 0/000.040.4301 (u. 1)

PLASTICS 2

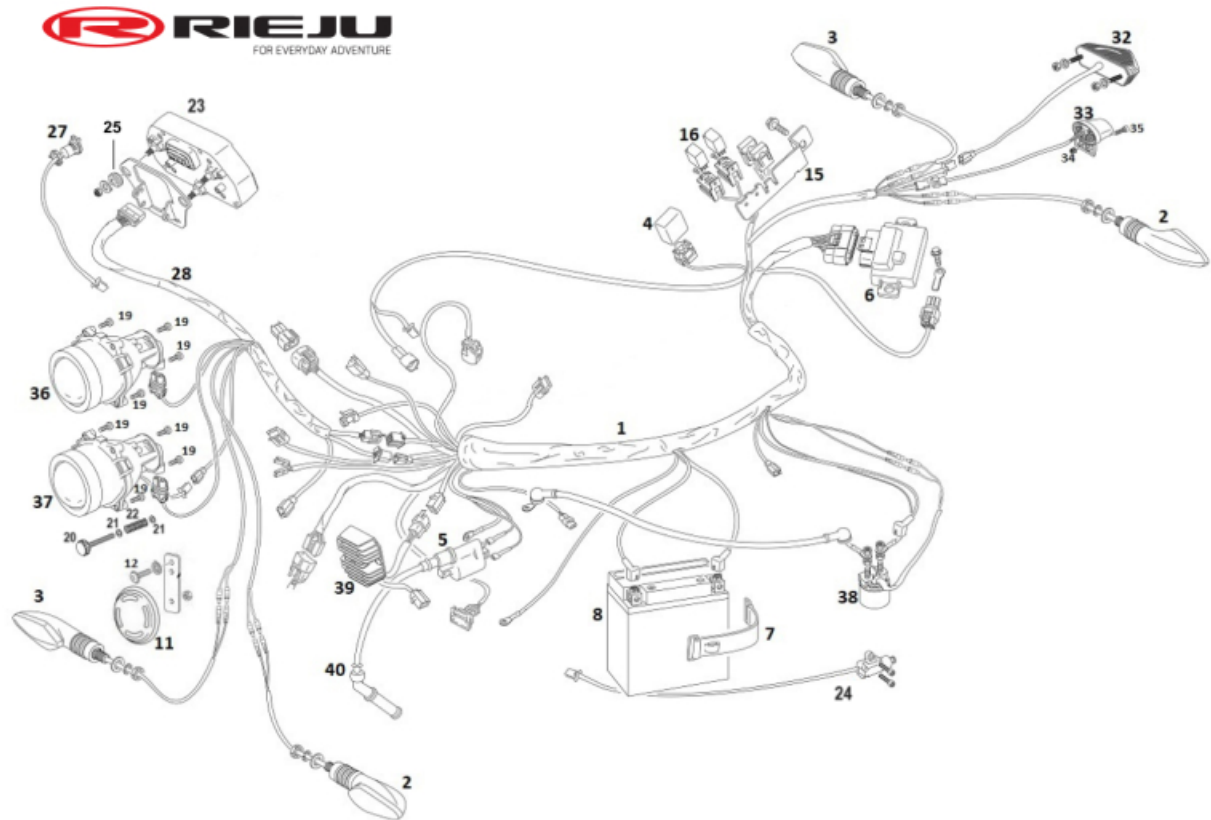


11	<ul style="list-style-type: none"> ● QUICK NUT M5 0/000.340.5100 (u. 2)
13	<ul style="list-style-type: none"> ● TORNILLO ISO 7380 Torx T-25 con arandela M5x10 INOX 0/000.460.0105 (u. 4)
14	<ul style="list-style-type: none"> ● SCREW ISO-7380+AR ZINC M6X16 0/000.460.2023 (u. 10)
16	<ul style="list-style-type: none"> ● TORNILLO CELO RF82T 4x12 Torx Z/BLANCO 0/000.460.0053 (u. 2)
18	<ul style="list-style-type: none"> ● WASHER 0/000.440.0130 (u. 4)
21	<ul style="list-style-type: none"> ● SCREW M6X20 0/000.460.3031 (u. 8)
22	<ul style="list-style-type: none"> ● TORNILLO ISO 7380 Torx T-25 con arandela M5x10 INOX 0/000.460.0105 (u. 12)
24	<ul style="list-style-type: none"> ● NYLON WASHER 0/000.440.5000 (u. 6)
32	<ul style="list-style-type: none"> ● GUARDABARROS DELANTERO AVENTURA PINTADO NEGRO 0/000.050.4301 (u. 1)
33	<ul style="list-style-type: none"> ● REJILLA PROTECTOR RADIADOR 0/000.220.4302 (u. 1)
34	<ul style="list-style-type: none"> ● CUBRE CARTER 0/000.220.4301 (u. 1)
35	<ul style="list-style-type: none"> ● CRISTAL PARABRISAS CON CALCA 390.4300 0/R00.780.4300 (u. 1)
36	<ul style="list-style-type: none"> ● TAPA OPTICAS DELANTERAS 0/000.570.4310 (u. 1)
37	<ul style="list-style-type: none"> ● TAPA OPTICAS DELANTERAS LH 0/000.570.4312 (u. 1)

38	<ul style="list-style-type: none"> TAPA OPTICAS DELANTERAS RH 0/000.570.4311 (u. 1) 	
40	<ul style="list-style-type: none"> NUT DIN 6923 M6 Cal.6 ZINC PLATED 0/000.340.0016 (u. 6) 	
41	<ul style="list-style-type: none"> TORNILLO ISO 7380 Torx T-25 con arandela M5x16 INOX 0/000.460.0083 (u. 2) 	
42	<ul style="list-style-type: none"> SCREW ISO 7380 Torx T-30 M6x16 0/000.460.0044 (u. 4) 	
43	<ul style="list-style-type: none"> TORNILLO ISO 7380-2 Torx T-40 con arandela M8x15 INOX 0/000.460.0067 (u. 2) 	
44	<ul style="list-style-type: none"> ROLLER WASHER 0/000.440.0161 (u. 2) 	
45	<ul style="list-style-type: none"> WASHER Ø6 0/000.440.0240 (u. 4) 	
47	<ul style="list-style-type: none"> GOMA SILENTBLOCK PLASTICA 0/000.360.4318 (u. 4) 	
48	<ul style="list-style-type: none"> CASQUILLO Ø22xØ6xL=10,00 Z/BLANCO 0/000.480.4318 (u. 4) 	
49	<ul style="list-style-type: none"> PROTECTOR CUBRERUEDA 0/000.570.4313 (u. 1) 	
50	<ul style="list-style-type: none"> TAPA LATERAL SUBCHASIS RH 0/000.570.4306 (u. 1) 	OBSOLETE
51	<ul style="list-style-type: none"> TAPA LATERAL SUBCHASIS LH 0/000.570.4308 (u. 1) 	
52	<ul style="list-style-type: none"> TAPA CENTRAL SUBCHASIS PINTADO NEGRO 0/000.570.4325 (u. 1) 	
	<ul style="list-style-type: none"> TAPA CENTRAL SUBCHASIS 0/000.570.4307 (u. 1) 	
53	<ul style="list-style-type: none"> PROTECTOR BOMBA FRENO TRAS. 0/000.220.4308 (u. 2) 	
54	<ul style="list-style-type: none"> ARANDELA Ø6XØ18 0/000.440.4304 (u. 2) 	
55	<ul style="list-style-type: none"> TORNILLO ISO 7380 Torx T-30 con arandela M6x30 INOX 0/000.460.0065 (u. 2) 	
56	<ul style="list-style-type: none"> QUICK NUT DIN 934 M6 0/000.340.5101 (u. 3) 	
57	<ul style="list-style-type: none"> WASHER DIN 9021 M8 0/000.440.3503 (u. 2) 	
58	<ul style="list-style-type: none"> SCREW CH88H 4,8x16 C ZINC PLATED 0/000.460.1168 (u. 3) 	
59	<ul style="list-style-type: none"> TUERCA RAPIDA TR 601-A PAVONADO 0/000.340.4305 (u. 5) 	
60	<ul style="list-style-type: none"> GUARDABARROS TRASERO PORTA MATRICULA 0/000.060.4300 (u. 1) 	
61	<ul style="list-style-type: none"> CATADRIOPTICO TRASERO (ROJO) 0/000.630.4300 (u. 1) 	
62	<ul style="list-style-type: none"> GOMA ANTIVIBRACION 0/000.360.4313 (u. 1) 	
63	<ul style="list-style-type: none"> TORNILLO ISO 7380 Torx T-25 con arandela M5x16 INOX 0/000.460.0083 (u. 2) 	
64	<ul style="list-style-type: none"> GOMA SILENTBLOCK M5 0/000.360.4319 (u. 2) 	
65	<ul style="list-style-type: none"> TORNILLO DIN 6921 M6x10 0/000.460.6203 (u. 4) 	
66	<ul style="list-style-type: none"> PROTECTOR CADENA 0/000.220.4309 (u. 1) 	

67	● SPROCKET COVER CENTURY V.2 0/000.220.4018 (u. 1)	
68	● BOLT M6x30 0/006.126.0074 (u. 3)	OBSOLETE
69	● GROMMET 0/000.360.4002 (u. 4)	
70	● CASQUILLO Ø18xØ6xL=11,50 Z/BLANCO 0/000.480.4319 (u. 4)	

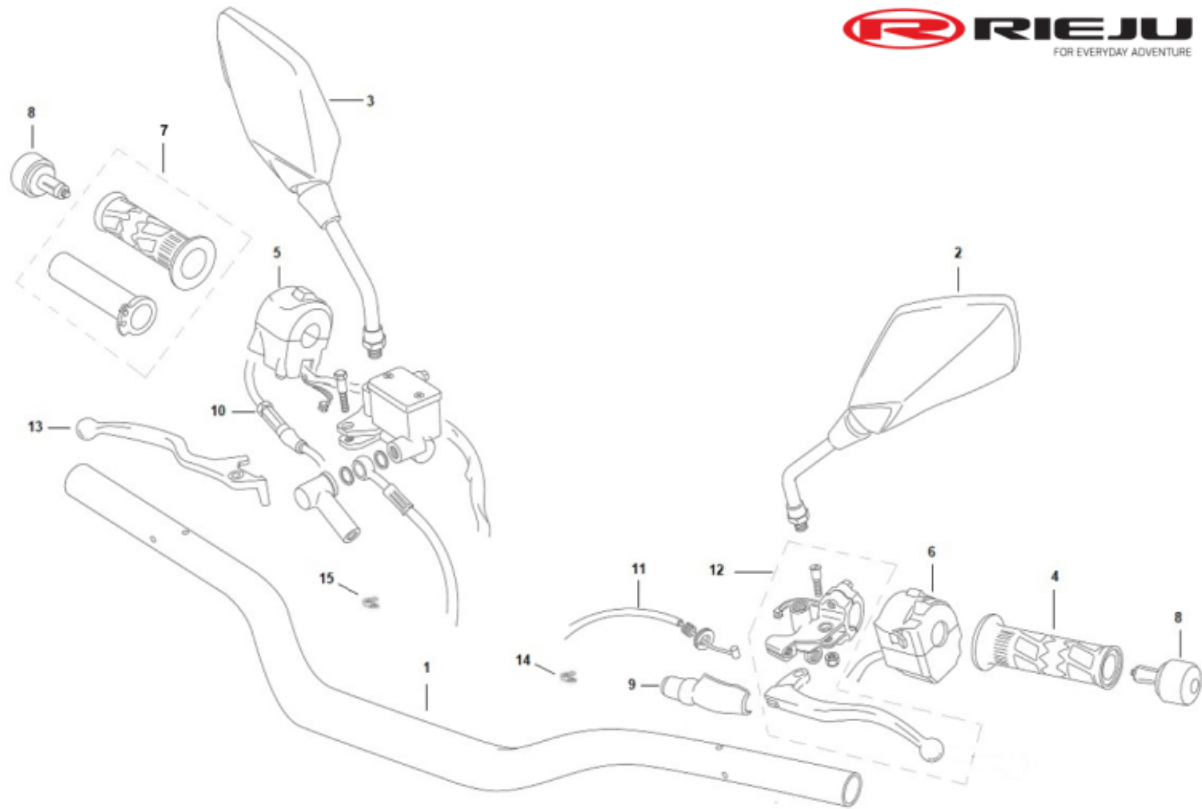
ELECTRIC SYSTEM 2



1	● INSTALACION PRINCIPAL AVENTURA 0/000.160.4301 (u. 1)
2	● INTERMITENTE DEL. LH / TRASERO LH AVENTURA 0/000.150.4300 (u. 1)
3	● INTERMITENTE DEL. RH / TRASERO RH AVENTURA 0/000.150.4301 (u. 1)
4	● FLASHER UNIT 0/001.200.3000 (u. 1)
5	● IGNITION COIL CENTURY v2 125i EURO5 2020 0/005.070.4000 (u. 1)
6	● CENTRALITA MOTOR INYECCIÓN AVENTURA 2022 0/005.705.4300 (u. 1)
7	● CINTA GOMA BATERIA 0/000.980.4324 (u. 1)
8	● BATERIA 0/000.900.4301 (u. 1)
11	● HORN CLASS II TYPE DL128J - 12V 0/000.420.5011 (u. 1)
12	● TORNILLO DIN 6921 M6x10 0/000.460.6203 (u. 2)
15	● SOPORTE FUSIBLES-RELES 0/000.980.4333 (u. 1)
16	● RELÉ ELECTROVENTILADOR 0/001.200.0401 (u. 2)
19	● TORNILLO ALTRACS PLUS 50x18 WN 5152 0/000.460.4310 (u. 8)
20	● REGULATOR BOLT HEADLIGHT ELESA 0/000.460.9106 (u. 1)

21	<ul style="list-style-type: none"> ● WASHER DIN 125/A M5 0/000.440.0129 (u. 1)
22	<ul style="list-style-type: none"> ● SCREW REG LAMP SPRING 0/000.470.9107 (u. 1)
23	<ul style="list-style-type: none"> ● CTA KMS AVENTURA 0/001.000.4300 (u. 1)
24	<ul style="list-style-type: none"> ● SENSOR CABALLETE 0/001.010.4302 (u. 1)
25	<ul style="list-style-type: none"> ● GOMA SILENTBLOCK PLASTICA 0/000.360.4318 (u. 1)
27	<ul style="list-style-type: none"> ● PUERTO USB 0/001.200.4300 (u. 1)
28	<ul style="list-style-type: none"> ● INSTALACION MARCADOR AVENTURA 0/000.160.4302 (u. 1)
32	<ul style="list-style-type: none"> ● LUZ PILOTO TRASERO LED V.2 0/000.150.9106 (u. 1)
33	<ul style="list-style-type: none"> ● PILOTO LUZ MATRICULA LED 2021 0/000.150.3603 (u. 1)
34	<ul style="list-style-type: none"> ● INDICATOR ATTACHMENT NUT 0/000.340.0172 (u. 1)
35	<ul style="list-style-type: none"> ● TORNILLO DIN 912 Allen M5x16 Cal.8.8 Z/NEGRO 0/000.460.0055 (u. 1)
36	<ul style="list-style-type: none"> ● OPTICA ELIPSOIDAL CORTA 0/000.600.4300 (u. 1)
37	<ul style="list-style-type: none"> ● OPTICA ELIPSOIDAL LARGA CON CONECTOR 0/000.600.4301 (u. 1)
38	<ul style="list-style-type: none"> ● STARTER RELAY 0/227.012.0004 (u. 1)
39	<ul style="list-style-type: none"> ● REGULATOR CENTURY v.2 0/001.200.4006 (u. 1)
40	<ul style="list-style-type: none"> ● SPARK PLUG CAP CENTURY v.2 0/005.110.4000 (u. 1)

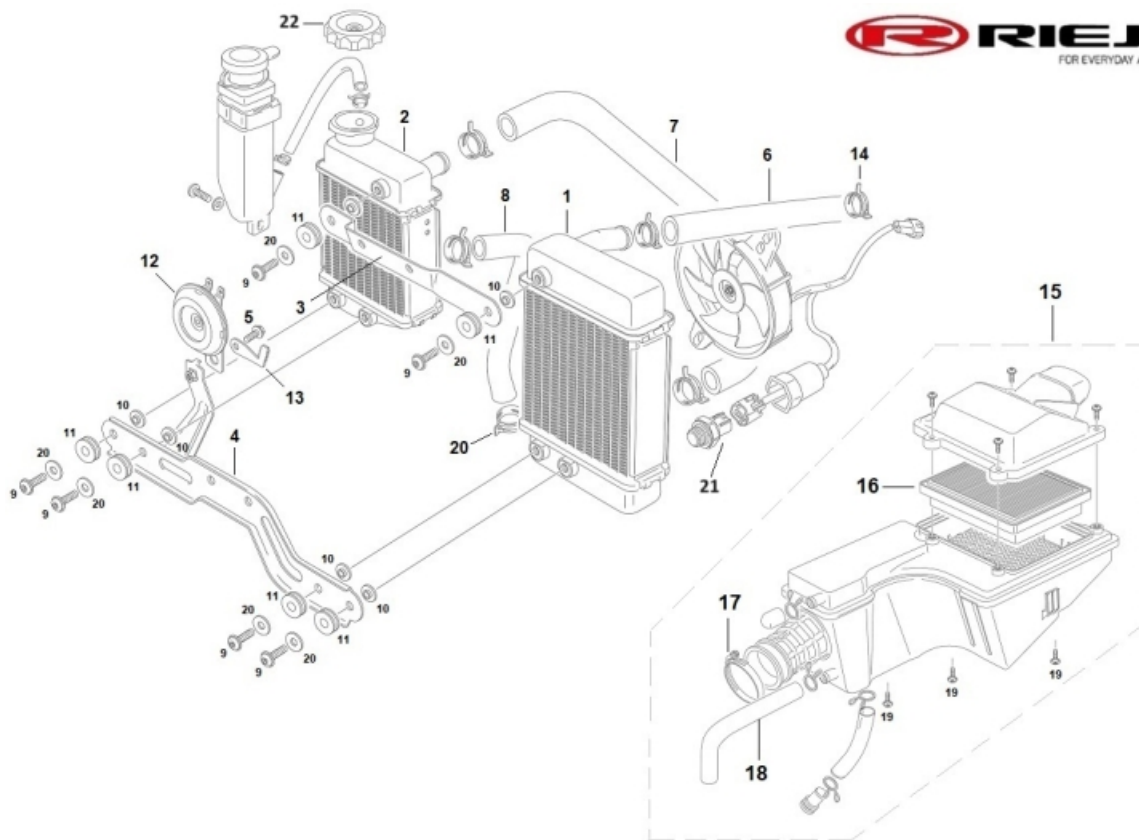
HANDLEBAR



1	●	MANILLAR AVENTURA / CENTURY 0/000.170.4301 (u. 1)
2	●	REAR MIRROR LH CENTURY v.2 0/000.990.4007 (u. 1)
3	●	REAR MIRROR RH CENTURY v.2 0/000.990.4006 (u. 1)
4	●	EMPUÑADURA GOMA LH AVENTURA 0/000.530.4300 (u. 1)
5	●	INTERRUPTOR RH AVENTURA 0/000.720.4301 (u. 1)
6	●	INTERRUPTOR LH AVENTURA 0/000.720.4300 (u. 1)
7	●	PUÑO GAS COMPLETO AVENTURA 0/000.530.4301 (u. 1)
8	●	HANDLEBAR END SET CCENTURY v.2 0/000.170.4003 (u. 1)
9	●	CLUTCH HANDLE SLEEVE 0/000.360.4004 (u. 1)
10	●	CABLE GAS AVENTURA 0/000.550.4301 (u. 1)
11	●	CABLE EMBRAGUE 0/000.550.4302 (u. 1)
12	●	MANETA EMBRAGUE AVENTURA 0/000.830.4300 (u. 1)
13	●	MANETA FRENO AVENTURA 125 0/000.830.4301 (u. 1)
14	●	CLIP PASACABLE EMBRAGUE 0/000.680.4303 (u. 1)

15

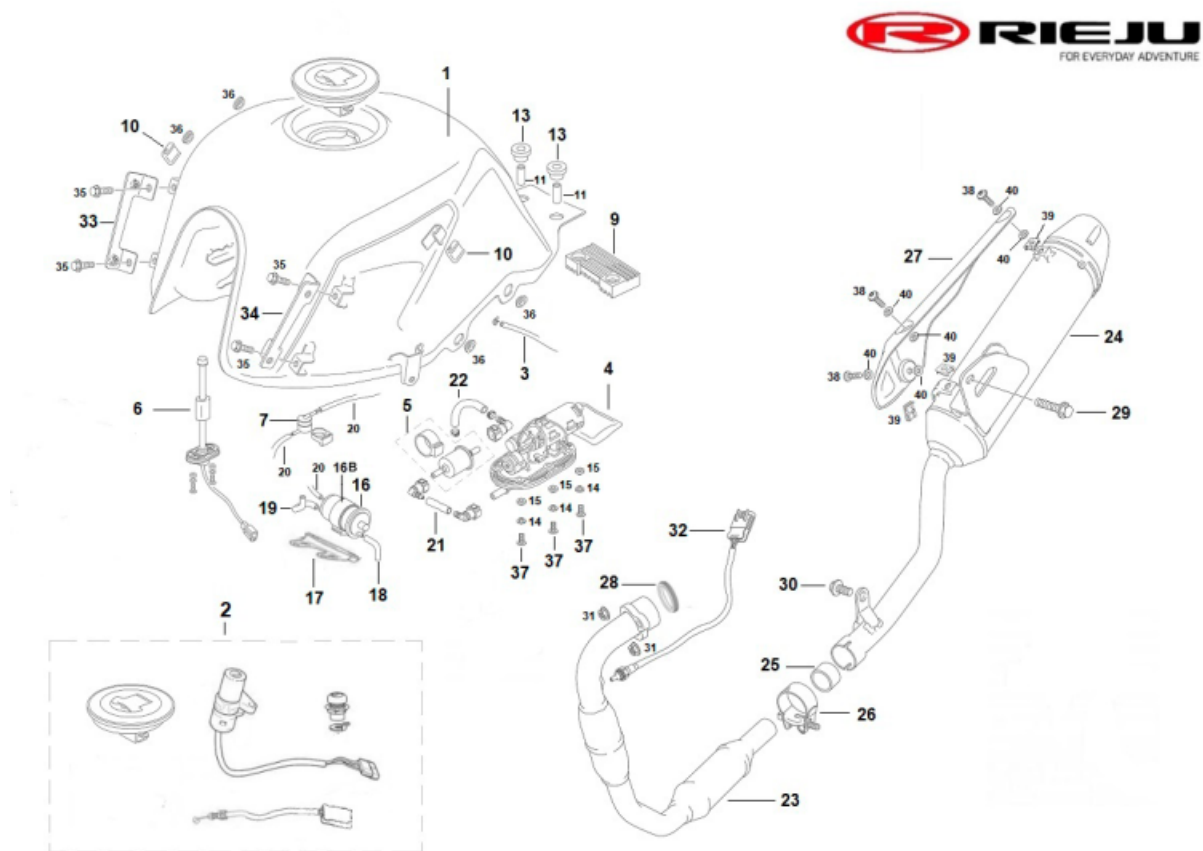
- CLIP PASACABLE ACELERADOR
0/000.680.4301 (u. 1)

RADIATOR - AIR FILTER


1	<ul style="list-style-type: none"> RADIADOR LH CON ELECTROVENTILADOR 0/000.580.4300 (u. 1)
2	<ul style="list-style-type: none"> RADIADOR RH 0/000.580.4301 (u. 1)
3	<ul style="list-style-type: none"> SOPORTE SUPERIOR RADIADORES 0/000.980.4328 (u. 1)
4	<ul style="list-style-type: none"> SOPORTE INFERIOR RADIADORES 0/000.980.4329 (u. 1)
5	<ul style="list-style-type: none"> TORNILLO DIN 6921 M6x10 0/000.460.6203 (u. 1)
6	<ul style="list-style-type: none"> TUBO RADIADOR A TERMOSTATO 0/000.290.4302 (u. 1)
7	<ul style="list-style-type: none"> TUBO RADIADOR A RADIADOR 0/000.290.4303 (u. 1)
8	<ul style="list-style-type: none"> TUBO RADIADOR A BOMBA AGUA 0/000.290.4304 (u. 1)
9	<ul style="list-style-type: none"> SCREW ISO-7380+AR ZINC M6X16 0/000.460.2023 (u. 6)
10	<ul style="list-style-type: none"> ARANDELA Ø6XØ18 0/000.440.4304 (u. 1)
11	<ul style="list-style-type: none"> SILENTBLOCK RADIADORES 0/000.460.4305 (u. 1)
12	<ul style="list-style-type: none"> HORN CLASS II TYPE DL128J - 12V 0/000.420.5011 (u. 1)
13	<ul style="list-style-type: none"> SOPORTE CONECTOR Sonda LAMBDA Z/BLANCO 0/000.980.4339 (u. 1)
14	<ul style="list-style-type: none"> ABRAZADERA COBRA Ø24/8 W4 0/000.680.0562 (u. 1)

15	● CAJA FILTRO COMPLETA AVENTURA 0/000.910.4300 (u. 1)
16	● FILTRO AIRE 0/001.070.4301 (u. 1)
17	● CLAMP INTLET PIPE 0/000.680.4022 (u. 1)
19	● TORNILLO DIN 6921 M6x10 0/000.460.6203 (u. 3)
20	● ABRAZADERA COBRA Ø20/8 W4 0/000.680.0566 (u. 1)
21	● TERMOSTATO RADIADOR 0/001.010.4304 (u. 1)
22	● TAPON RADIADOR 0/000.410.4303 (u. 1)

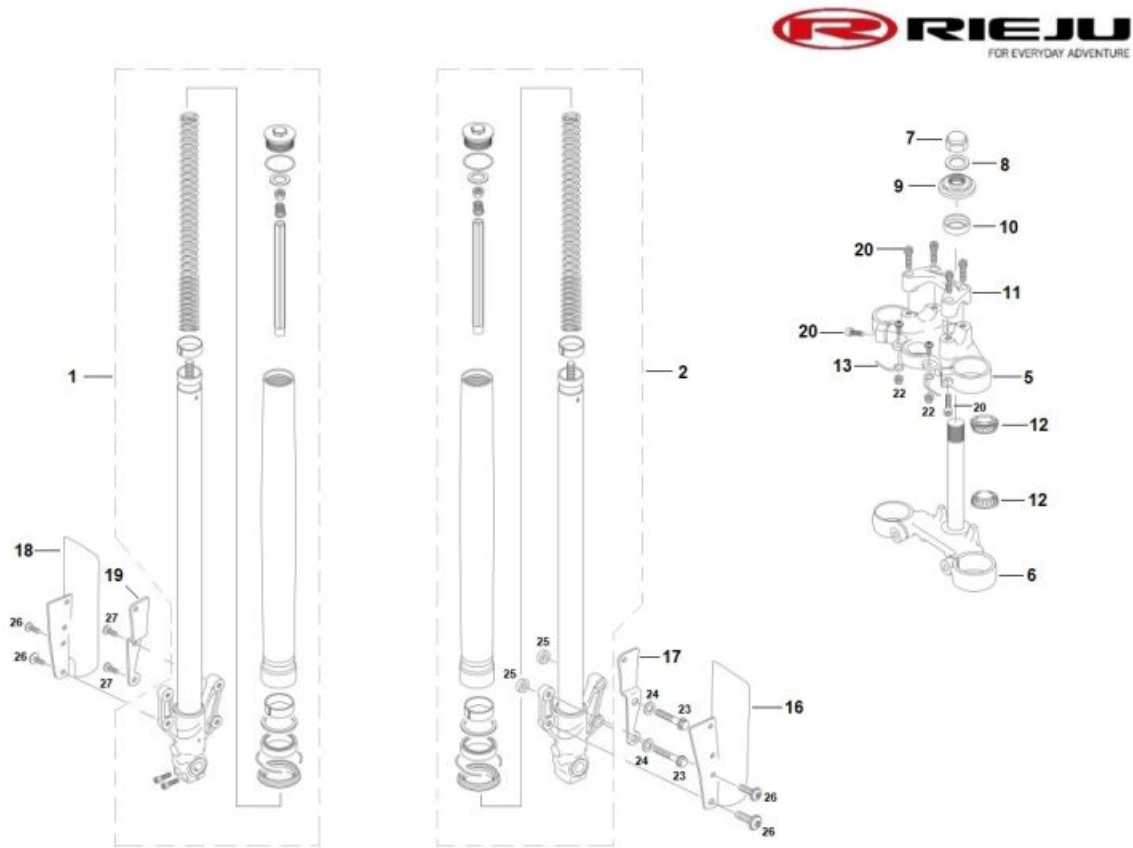
TANK - EXHAUST



- | | | |
|----|---|---|
| 1 | ● | DEPOSITO ROJO AVENTURA
0/000.030.4300 (u. 1) |
| 2 | ● | CLAUSOR COMPLETO AVENTURA
0/001.060.4300 (u. 1) |
| 3 | ● | TUBO REBOSADERO
0/000.290.4300 (u. 1) |
| 4 | ● | BOMBA GASOLINA
0/000.860.4300 (u. 1) |
| 5 | ● | FILTRO GASOLINA
0/001.070.4300 (u. 1) |
| 6 | ● | SENSOR GASOLINA
0/001.010.4300 (u. 1) |
| 7 | ● | VALVULA ANTIRETORNO GASOLINA
0/000.640.4300 (u. 1) |
| 9 | ● | TOPE GOMA DEPOSITO SILLIN
0/000.360.4304 (u. 1) |
| 10 | ● | TOPE GOMA DEPOSITO A PLASTICA
0/000.360.4307 (u. 1) |
| 11 | ● | CASQUILLO Ø7xØ10-26
0/000.480.4315 (u. 1) |
| 13 | ● | ARANDELA DE GOMA FIJACION SILLIN
0/000.360.4305 (u. 1) |
| 14 | ● | ARANDELA PLANA BOMBA GASOLINA
0/000.440.4303 (u. 6) |
| 15 | ● | RETEN BOMBA GASOINA
0/000.890.4301 (u. 7) |
| 16 | ● | CANISTER CENTURY V.2
0/000.640.4014 (u. 1) |

16B	<ul style="list-style-type: none"> RUBBER SUPPORT CANISTER CENTURY V.2 0/000.360.4018 (u. 1)
17	<ul style="list-style-type: none"> SOPORTE VALVULA CANISTER Z NEGRO 0/000.980.4330 (u. 1)
18	<ul style="list-style-type: none"> TUBO L DRAIN CANISTER MRT v.2 0/000.290.5093 (u. 1)
19	<ul style="list-style-type: none"> TUBO CANISTER A CUERPO INYECCION MRT 125 LC E5 0/000.290.6026 (u. 1)
20	<ul style="list-style-type: none"> TUBO NBR Ø5,5xØ9,5-Ø8xØ4x500 TAPON GASOLINA A CANISTER 0/000.290.5091 (u. 1)
21	<ul style="list-style-type: none"> TUBO DEPOSITO GASOLINA A FILTRO GASOLINA 0/000.290.4301 (u. 1)
22	<ul style="list-style-type: none"> TUBO FILTRO GASOLINA A INYECTOR 0/000.290.4307 (u. 1)
23	<ul style="list-style-type: none"> TUBO COLECTOR AVENTURA 0/000.290.4308 (u. 1)
24	<ul style="list-style-type: none"> SILENCIOSO AVENTURA + PROTECTOR 0/000.870.4300 (u. 1)
25	<ul style="list-style-type: none"> DOLLA GRAFITO 28.5 X 34.5 X 34.5 0/000.260.8011 (u. 1)
26	<ul style="list-style-type: none"> INOX CLAMP 36-39 INNER CHC HEAD 0/000.680.8003 (u. 1)
27	<ul style="list-style-type: none"> PROTECTOR SILENCIADOR 2022 + TORNILLOS 0/000.220.5023 (u. 1)
28	<ul style="list-style-type: none"> EXHAUST GASKET 0/000.490.6000 (u. 1)
29	<ul style="list-style-type: none"> DRIVE PLATE BOLT 0/000.460.0670 (u. 1)
30	<ul style="list-style-type: none"> SCREW DIN 6921 M8x15 Cal.8.8 0/000.460.0651 (u. 1)
31	<ul style="list-style-type: none"> TUERCA DIN 6927 M8 Cal.8 Z/BLANCO 0/000.340.0188 (u. 2)
32	<ul style="list-style-type: none"> OXYGEN SENSOR CENTURY v2 EURO5 0/001.010.4003 (u. 1)
33	<ul style="list-style-type: none"> SOPORTE CARENADO INTERIOR RH 0/000.980.4309 (u. 1)
34	<ul style="list-style-type: none"> SOPORTE CARENADO INTERIOR LH 0/000.980.4308 (u. 1)
35	<ul style="list-style-type: none"> TORNILLO DIN 6921 M6x10 0/000.460.6203 (u. 4)
36	<ul style="list-style-type: none"> GOMA FIJACION PLASTICA 0/000.360.4311 (u. 4)
37	<ul style="list-style-type: none"> TORNILLO ISO 7380 Torx T-25 con arandela M5x16 INOX 0/000.460.0083 (u. 1)
38	<ul style="list-style-type: none"> SCREW M6X20 0/000.460.3031 (u. 3)
39	<ul style="list-style-type: none"> QUICK NUT DIN 934 M6 0/000.340.5101 (u. 3)
40	<ul style="list-style-type: none"> THERMAL GASKET D6XD17X3MM 0/000.360.2007 (u. 6)

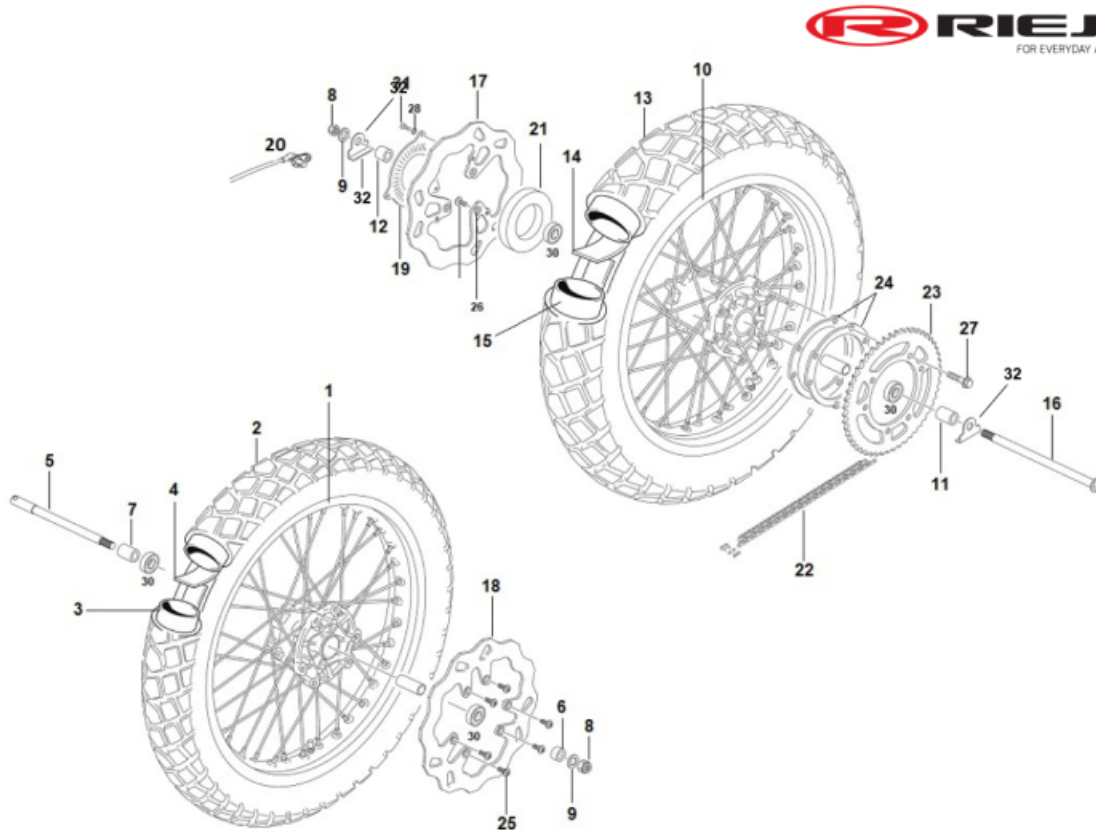
SUSPENSIÓN



1	● BRAZO SUSPENSION RH NEGRO 0/000.640.4301 (u. 1)
2	● BRAZO SUSPENSION LH NEGRO 0/000.640.4302 (u. 1)
3	● SEPARADOR Ø25x7,375x7 Z/NEGRO 0/000.480.4310 (u. 1)
4	● DOBLE BRIDA T50R CON ACOPLADOR ROTATORIO 90° 0/000.680.0082 (u. 1)
5	● PLATINA SUPERIOR AVENTURA 0/000.660.4301 (u. 1)
6	● PLATINA INFERIOR CON TIJA 0/000.660.4302 (u. 1)
7	● TUERCA SUPERIOR DIRECCIÓN 0/000.340.4302 (u. 1)
8	● ARANDELA SUPERIOR DIRECCION 0/000.440.4305 (u. 1)
9	● GUARDAPOLVOS SUPERIOR 0/000.200.4301 (u. 1)
10	● GUARDAPOLVOS INFERIOR 0/000.200.4302 (u. 1)
11	● BRIDA MANILLAR 0/000.350.4301 (u. 1)
12	● STEERING BEARING MOD/PT101 0/000.960.0200 (u. 1)
13	● MUELLE PASACABLES HORQUILLA 0/000.470.4303 (u. 2)
14	● ABRAZADERA SUJECION RSGU1 8/15 0/000.680.0302 (u. 1)

15	<ul style="list-style-type: none"> ● ABRAZADERA SUJECION RSGU1 12/15 0/000.680.0301 (u. 1)
16	<ul style="list-style-type: none"> ● SOPORTE ANTERIOR RH GUARDABARROS DEL. PINTADO NEGRO 0/000.980.4313 (u. 1)
17	<ul style="list-style-type: none"> ● SOPORTE POSTERIOR LH GUARDABARROS DEL. 0/000.980.4335 (u. 1)
18	<ul style="list-style-type: none"> ● SOPORTE ANTERIOR LH GUARDABARROS DEL. PINTADO NEGRO 0/000.980.4314 (u. 1)
19	<ul style="list-style-type: none"> ● SOPORTE POSTERIOR RH GUARDABARROS DEL. 0/000.980.4334 (u. 1)
20	<ul style="list-style-type: none"> ● SCREW 8X30 0/000.460.0346 (u. 6)
21	<ul style="list-style-type: none"> ● SCREW M6X20 0/000.460.3031 (u. 2)
22	<ul style="list-style-type: none"> ● PASSENGER FOOTREST NUT 0/000.340.0170 (u. 2)
23	<ul style="list-style-type: none"> ● TORNILLO DIN 6921 M10x50 paso 125 Cal 8.8 Z/BLANCO 0/000.460.0112 (u. 1)
24	<ul style="list-style-type: none"> ● SHOCK ABSORBER BOLT WASHER 0/000.440.0110 (u. 2)
25	<ul style="list-style-type: none"> ● SEPARADOR Ø25x7,375x7 Z/NEGRO 0/000.480.4310 (u. 2)
26	<ul style="list-style-type: none"> ● SCREW ISO-7380+AR ZINC M6X16 0/000.460.2023 (u. 4)
27	<ul style="list-style-type: none"> ● TORNILLO ISO 7380-2 Torx T-40 con arandela M8x15 INOX 0/000.460.0067 (u. 2)

WHEELS



1 ● COMPLETE FRONT WHEEL 18" x 2,15 CENTURY V.2
0/000.110.4000 (u. 1)

2 ● FRONT TYRE 100/90 -18 GREEN E4 CM617 56P
0/000.510.4000 (u. 1)

3 ● FRONT INNER TUBE 3.00/3.25-18 TR4
0/000.520.4000 (u. 1)

4 ● FLAP 18"
0/000.220.4010 (u. 1)

5 ● EJE RUEDA DELANTERA AVENTURA
0/000.190.4300 (u. 1)

6 ● SEPARADOR Ø25x5x15,5 Z/BLANCO
0/000.480.4302 (u. 1)

7 ● SEPARADOR Ø25x5x37 Z/BLANCO
0/000.480.4303 (u. 1)

8 ● SWING ARM SHAFT NUT
0/000.340.0186 (u. 1)

9 ● SWING ARM SHAFT WASHER
0/000.440.0123 (u. 1)

10 ● LLANTA TRASERA RADIADA AVENTURA 125
0/000.120.4300 (u. 1)

11 ● SEPARADOR Ø25x5x35 Z/BLANCO
0/000.480.4304 (u. 1)

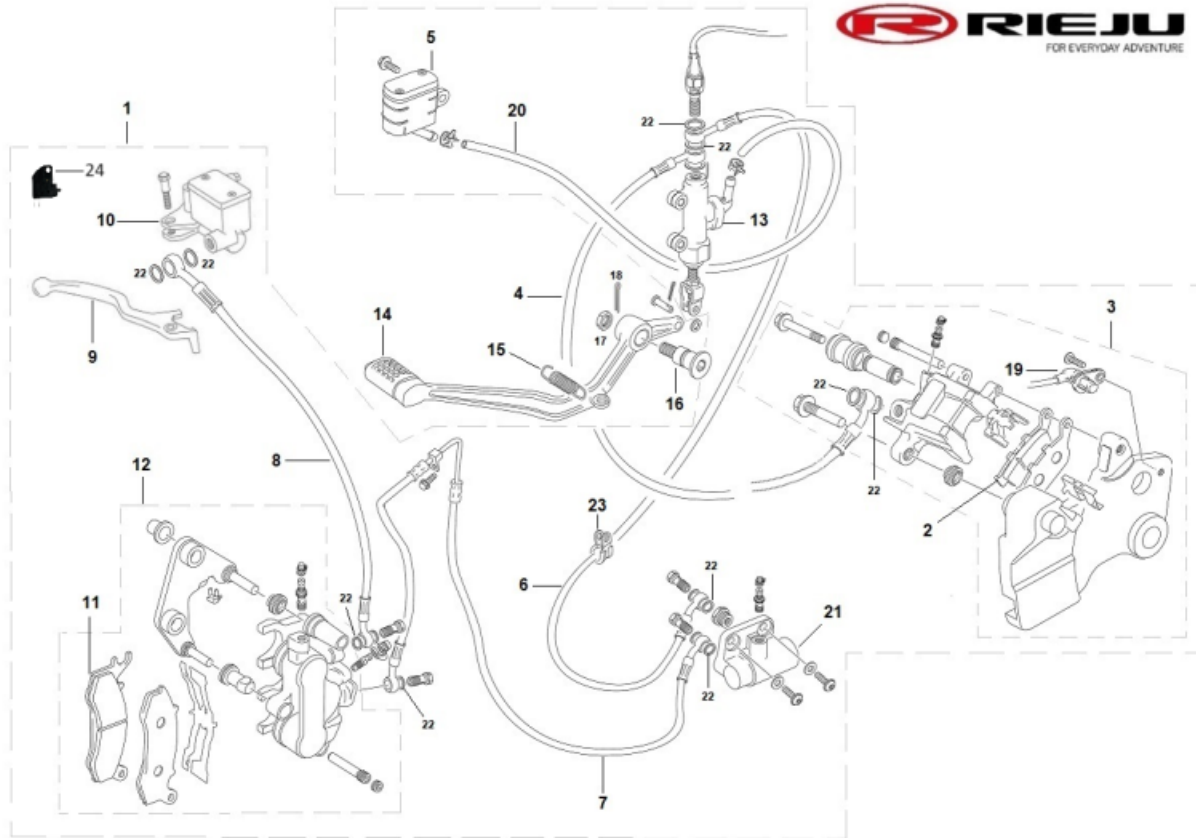
12 ● SEPARADOR Ø25x5x24 Z/BLANCO
0/000.480.4309 (u. 1)

13 ● REAR TYRE 130/80 -17 GREEN E4 CM617 65P
0/000.510.4001 (u. 1)

14 ● FLAP 17"
0/000.220.4011 (u. 1)

15	<ul style="list-style-type: none"> REAR INNER TUBE 120/130/90-17 TR4 0/000.520.4001 (u. 1)
16	<ul style="list-style-type: none"> EJE RUEDA TRASERA 0/000.190.4301 (u. 1)
17	<ul style="list-style-type: none"> DISCO FRENO TRASERO WAVE Ø240 mm 0/001.090.4300 (u. 1)
	<ul style="list-style-type: none"> DISCO FRENO TRASERO WAVE Ø240 mm V2 0/001.090.4301 (u. 1)
18	<ul style="list-style-type: none"> DISCO FRENO DEL. WAVE Ø260 0/001.090.0214 (u. 1)
19	<ul style="list-style-type: none"> SPEED SENSOR DISK 0/001.090.4004 (u. 1)
20	<ul style="list-style-type: none"> SENSOR VELOCIDAD 0/001.010.4301 (u. 1)
21	<ul style="list-style-type: none"> SEPARADOR DISCO FRENO TRASERO 0/000.480.4312 (u. 1)
22	<ul style="list-style-type: none"> Chain 428 Pitch 136 Links 0/001.050.6010 (u. 1)
23	<ul style="list-style-type: none"> REAR SPROCKET Z51 e=7 CHAIN 428 0/000.500.4001 (u. 1)
24	<ul style="list-style-type: none"> SEPARADOR PLATO 0/000.480.4311 (u. 1)
25	<ul style="list-style-type: none"> SCREW DIN 6921 6X16 8,8 0/000.460.5001 (u. 1)
26	<ul style="list-style-type: none"> SEPARADOR Ø10x0,875x10 Z/BLANCO 0/000.480.4316 (u. 1)
27	<ul style="list-style-type: none"> SCREW DIN 6921 M8X35 0/000.460.0672 (u. 6)
28	<ul style="list-style-type: none"> ARANDELA SCHNORR M6 INOX 0/000.440.0042 (u. 1)
29	<ul style="list-style-type: none"> TORNILLO DIN 7991 Allen M8x40 Cal.10.9 Z/BLANCO 0/000.460.0850 (u. 1)
30	<ul style="list-style-type: none"> FRONT WHEEL BEARING 0/000.960.0050 (u. 4)
31	<ul style="list-style-type: none"> SCREW ISO 7380 Allen M6x10 0/000.460.1186 (u. 3)
32	<ul style="list-style-type: none"> SOPORTE GUIA EJE TRASERO 0/000.980.4343 (u. 2)

BRAKES



1	<ul style="list-style-type: none"> ● CONJUNTO CBS AVENTURA 0/000.820.4301 (u. 1)
2	<ul style="list-style-type: none"> ● C.JTO. PASTILLAS FRENO TRAS. AVENTURA 0/000.930.4302 (u. 1)
3	<ul style="list-style-type: none"> ● PINZA FRENO TRASERO AVENTURA 125 0/000.860.4301 (u. 1)
4	<ul style="list-style-type: none"> ● TUBO BOMBA FRENO TRAS. A PINZA TRAS. 0/000.290.4310 (u. 1)
5	<ul style="list-style-type: none"> ● DEPOSITO LIQUIDO FRENO TRASERO 0/000.030.4302 (u. 1)
6	<ul style="list-style-type: none"> ● TUBO CBS A BOMBA FRENO TRASERA 0/000.290.4311 (u. 1)
7	<ul style="list-style-type: none"> ● TUBO CBS A PINZA DELANTERA 0/000.290.4312 (u. 1)
8	<ul style="list-style-type: none"> ● TUBO PINZA DEL. A BOMBA DEL. 0/000.290.4313 (u. 1)
9	<ul style="list-style-type: none"> ● MANETA FRENO AVENTURA 125 0/000.830.4301 (u. 1)
10	<ul style="list-style-type: none"> ● BOMBA FRENO DELANTERA 0/000.820.4302 (u. 1)
11	<ul style="list-style-type: none"> ● C.JTO. PASTILLAS FRENO DEL. AVENTURA 0/000.930.4301 (u. 1)
12	<ul style="list-style-type: none"> ● PINZA FRENO DELANTERA AVENTURA 125 0/000.860.4302 (u. 1)
13	<ul style="list-style-type: none"> ● BOMBA FRENO TRASERA 0/000.820.4303 (u. 1)
14	<ul style="list-style-type: none"> ● PALANCA FRENO 0/000.730.4300 (u. 1)

15	● MUELLE PALANCA FRENO TRAS. 0/000.470.4300 (u. 1)
16	● EJE PALANCA FRENO 0/000.190.4303 (u. 1)
17	● TUERCA M10x1.25 0/000.340.4303 (u. 1)
18	● PASADOR PALANCA FRENO 0/000.840.4301 (u. 1)
19	● SENSOR VELOCIDAD 0/001.010.4301 (u. 1)
20	● TUBO DEPOSITO TRAS. A BOMBA TRAS. 0/000.290.4314 (u. 1)
21	● VALVULA CBS AVENTURA 125 0/000.640.4303 (u. 1)
22	● BRAKE HOSE BOLT WASHER 0/000.440.7002 (u. 13)
23	● ABRAZADERA SUJECION RSGU1 12/15 0/000.680.0301 (u. 1)
24	● INTERRUPTOR FRENO DEL. AVENTURA 125 0/000.720.4302 (u. 1)

DECALS



1

● JUEGO CALCAS AVENTURA ROJA 2023
0/000.390.4300 (u. 1)

DECALS LEGEND



1

● JUEGO CALCAS AVENTURA LEGEND 2023
0/000.390.4301 (u. 1)

ACCESSORIES



1

- KIT CJTO PARA MANOS AVENTURA 125 NEGROS
0/K00.770.4301 (u. 1)
- CJTO PARAMANOS AVENTURA 125 NEGROS
0/000.770.4301 (u. 1)

OBSOLETE

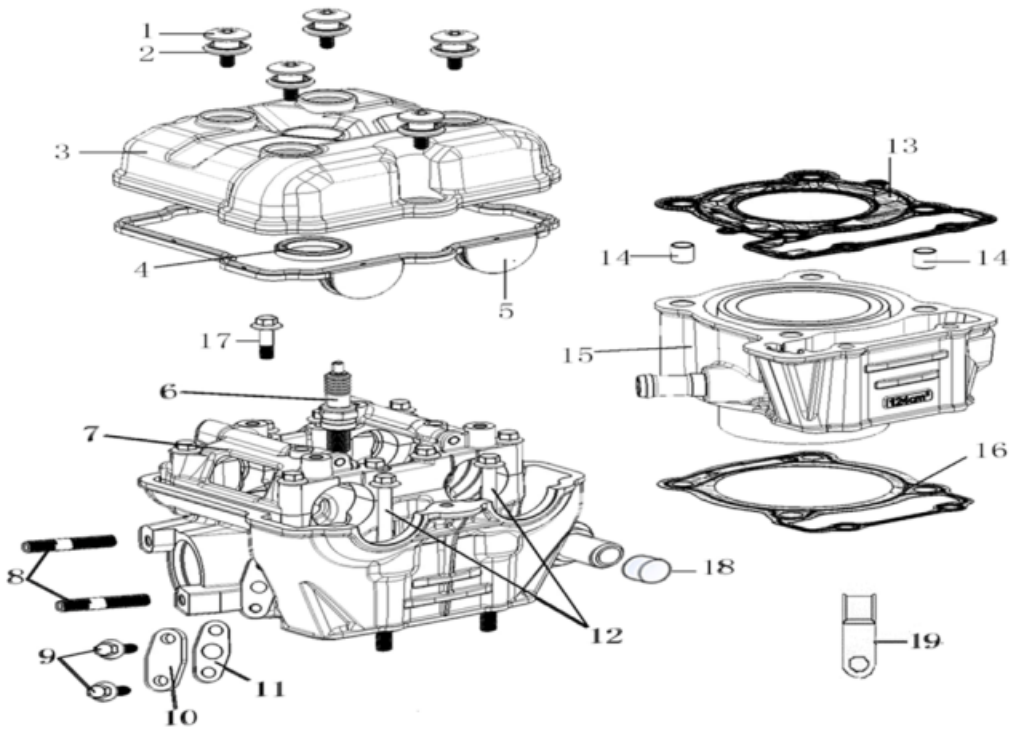
KIT MALETAS



- | | |
|---|--|
| 1 | <ul style="list-style-type: none"> ● KIT MALETAS LATERALES AVENTURA
0/K00.980.4302 (u. 1) |
| 2 | <ul style="list-style-type: none"> ● KIT TOP CASE AVENTURA
0/K00.980.4301 (u. 1) |
| 3 | <ul style="list-style-type: none"> ● PORTABULTOS TRASERO AVENTURA 2 CASCOS INTEGRALES
0/001.800.4301 (u. 1) |

ZY125 E5 125 AVENTURA

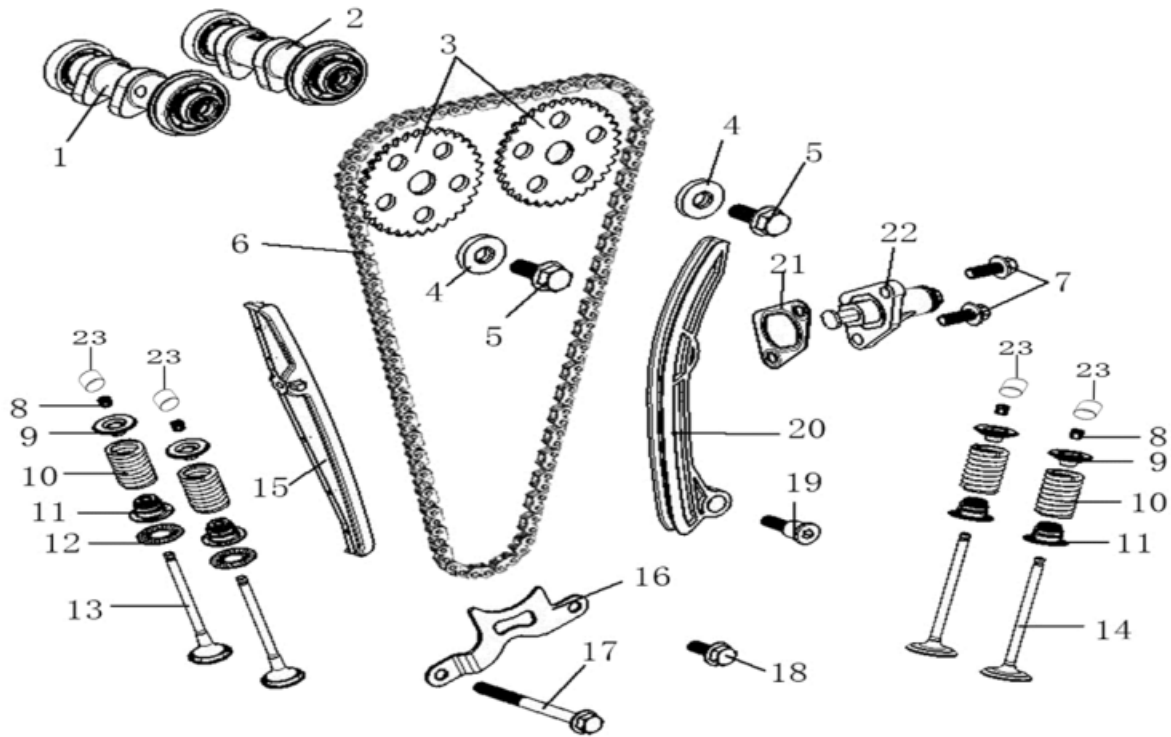
CULATA



1	<ul style="list-style-type: none"> Screw,M6 0/228.001.0001 (u. 5)
2	<ul style="list-style-type: none"> Washer 0/228.001.0002 (u. 5)
4	<ul style="list-style-type: none"> Spark Hole Gasket 0/228.001.0004 (u. 1)
5	<ul style="list-style-type: none"> Seal Ring,Of Upper Cover Cylinder Head 0/228.001.0005 (u. 1)
6	<ul style="list-style-type: none"> Spark Plug 0/228.001.0006 (u. 1)
7	<ul style="list-style-type: none"> Cylinder Assembly 0/228.001.0007 (u. 1)
8	<ul style="list-style-type: none"> BOLT,M8x40 0/006.128.0003 (u. 2)
9	<ul style="list-style-type: none"> SCREW SENSOR TEMPERATURE AND PRESSION M6x16 0/000.460.0093 (u. 2)
10	<ul style="list-style-type: none"> Intake Cover Board 0/228.001.0010 (u. 1)
11	<ul style="list-style-type: none"> Paper Gasket 0/228.001.0011 (u. 1)
12	<ul style="list-style-type: none"> Bolt, M6x120 0/228.001.0012 (u. 2)
13	<ul style="list-style-type: none"> Gasket Assy Cylinder Head 0/228.001.0013 (u. 1)
14	<ul style="list-style-type: none"> Pin,f10x14 0/228.001.0014 (u. 2)
15	<ul style="list-style-type: none"> Cylinder Block Assembly 0/228.001.0015 (u. 1)
16	<ul style="list-style-type: none"> Gasket Cylinder Block 0/228.001.0016 (u. 1)

17	<ul style="list-style-type: none">● BOLT M6x35 0/006.126.0052 (u. 8)
18	<ul style="list-style-type: none">● Dust Cap 0/228.001.0018 (u. 1)
19	<ul style="list-style-type: none">● CLIP HIGH VOLTAGE WIRE 0/006.128.0010 (u. 1)

DISTRIBUCION Y VALVULAS



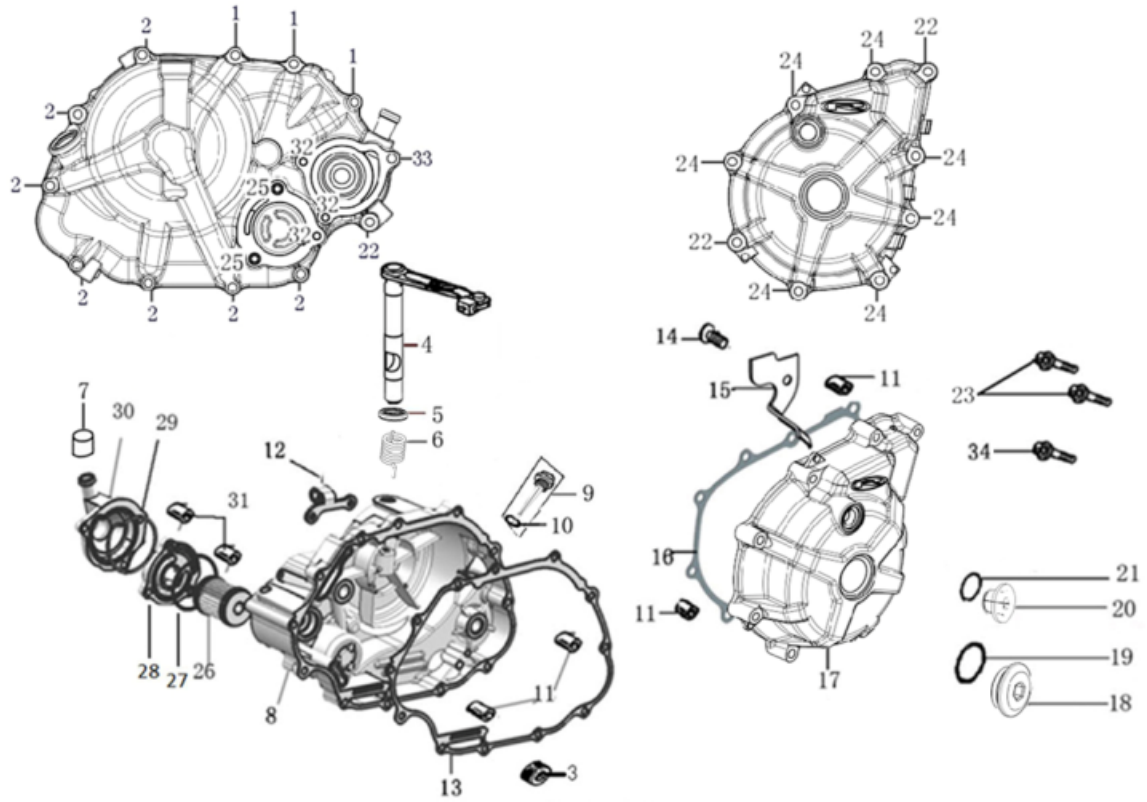
1	<ul style="list-style-type: none"> Gamp Shaft Comp 0/228.002.0001 (u. 1)
2	<ul style="list-style-type: none"> Gamp Shaft Comp 0/228.002.0002 (u. 1)
3	<ul style="list-style-type: none"> Timing Driven Sprocket 0/228.002.0003 (u. 2)
4	<ul style="list-style-type: none"> Washer, f8.25×4×f23 0/228.002.0004 (u. 2)
5	<ul style="list-style-type: none"> Bolt, M8×1×20 0/228.002.0005 (u. 2)
6	<ul style="list-style-type: none"> Sproket Chain 0/228.002.0006 (u. 1)
7	<ul style="list-style-type: none"> SCREW SENSOR TEMPERATURE AND PRESSION M6x16 0/000.460.0093 (u. 2)
8	<ul style="list-style-type: none"> Valve Locker 0/228.002.0008 (u. 8)
9	<ul style="list-style-type: none"> SpRing,Seat 0/228.002.0009 (u. 4)
10	<ul style="list-style-type: none"> Valve Outer Spring 0/228.002.0010 (u. 4)
11	<ul style="list-style-type: none"> Seal Valve Stem 0/228.002.0011 (u. 4)
12	<ul style="list-style-type: none"> Washer, f9.2×0.5×f20 0/228.002.0012 (u. 2)
13	<ul style="list-style-type: none"> Exhaust Valve 0/228.002.0013 (u. 2)
14	<ul style="list-style-type: none"> Intake Valve 0/228.002.0014 (u. 2)
15	<ul style="list-style-type: none"> Sliding Block 0/228.002.0015 (u. 1)

16	<ul style="list-style-type: none">• Assembly Chain Protect Plate 0/228.002.0016 (u. 1)
17	<ul style="list-style-type: none">• BOLT, M6×70 0/006.128.0019 (u. 1)
18	<ul style="list-style-type: none">• BOLT M6×16 0/006.126.0033 (u. 1)
19	<ul style="list-style-type: none">• Bolt 0/228.002.0019 (u. 1)
20	<ul style="list-style-type: none">• Sliding Block 0/228.002.0020 (u. 1)
21	<ul style="list-style-type: none">• Gasket Tensioner 0/228.002.0021 (u. 1)
22	<ul style="list-style-type: none">• Chain Tensioning Wheel 0/228.002.0022 (u. 1)

23

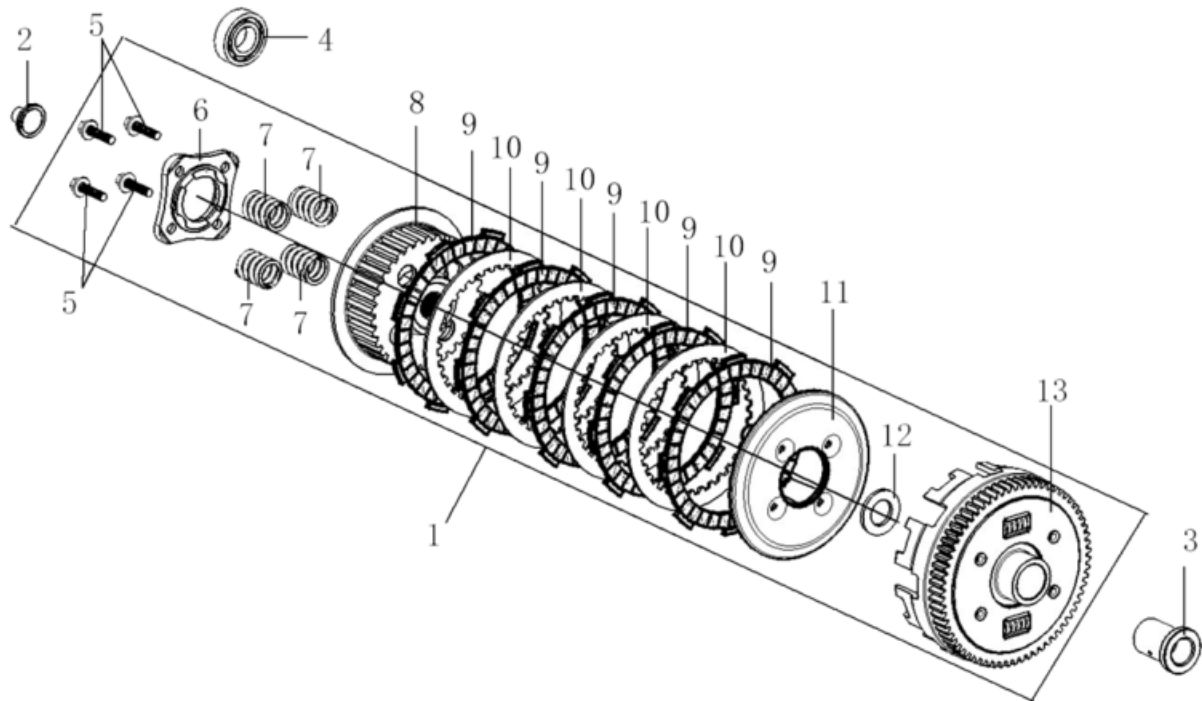
- TAQUES VALVULA 225
0/006.127.0206 (u. 1)
- TAQUES VALVULA 700
0/006.127.0225 (u. 1)
- TAQUES VALVULA 200
0/006.127.0205 (u. 1)
- TAQUES VALVULA 725
0/006.127.0226 (u. 1)
- Valve Stem
0/228.002.0023 (u. 4)
- TAQUES VALVULA 500
0/006.127.0217 (u. 1)
- TAQUES VALVULA 375
0/006.127.0212 (u. 1)
- TAQUES VALVULA 250
0/006.127.0207 (u. 1)
- TAQUES VALVULA 625
0/006.127.0222 (u. 1)
- TAQUES VALVULA 575
0/006.127.0220 (u. 1)
- TAQUES VALVULA 650
0/006.127.0223 (u. 1)
- TAQUES VALVULA 550
0/006.127.0219 (u. 1)
- TAQUES VALVULA 750
0/006.127.0227 (u. 1)
- TAQUES VALVULA 300
0/006.127.0209 (u. 1)
- TAQUES VALVULA 450
0/006.127.0215 (u. 1)
- TAQUES VALVULA 425
0/006.127.0214 (u. 1)
- TAQUES VALVULA 525
0/006.127.0218 (u. 1)
- TAQUES VALVULA 675
0/006.127.0224 (u. 1)
- TAQUES VALVULA 325
0/006.127.0210 (u. 1)
- TAQUES VALVULA 350
0/006.127.0211 (u. 1)
- TAQUES VALVULA 475
0/006.127.0216 (u. 1)
- TAQUES VALVULA 400
0/006.127.0213 (u. 1)
- TAQUES VALVULA 600
0/006.127.0221 (u. 1)
- TAQUES VALVULA 275
0/006.127.0208 (u. 1)

CUBIERTA EMBRAGUE



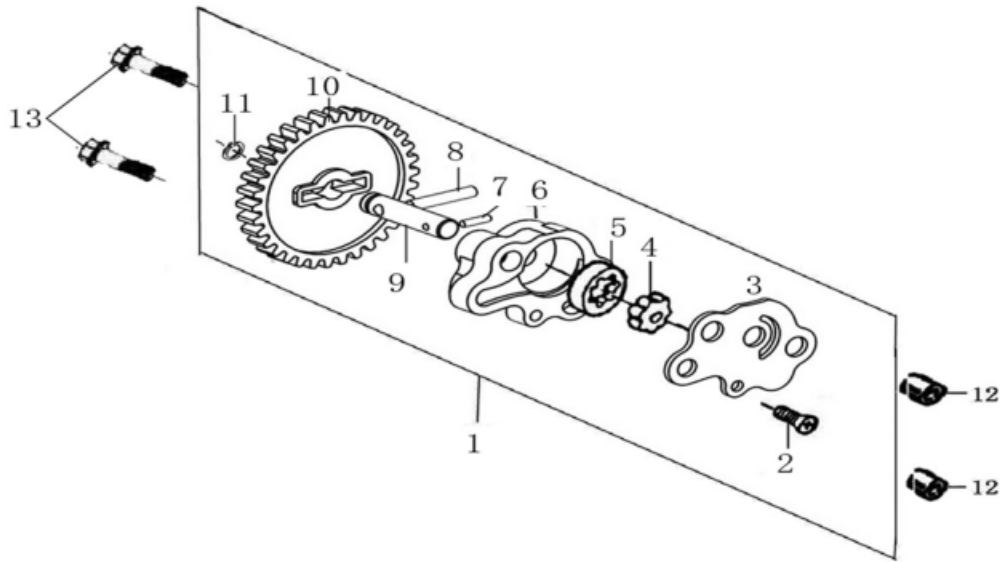
1	<ul style="list-style-type: none"> BOLT, M6×30 0/006.128.0036 (u. 3)
2	<ul style="list-style-type: none"> BOLT, M6×40 0/006.128.0037 (u. 6)
3	<ul style="list-style-type: none"> Oil Seal 12×21×7 0/228.003.0003 (u. 1)
4	<ul style="list-style-type: none"> Controlling Arm Assembly Clutch 0/228.003.0004 (u. 1)
5	<ul style="list-style-type: none"> Oil Seal 12×18×5 0/228.003.0005 (u. 1)
6	<ul style="list-style-type: none"> Clutch Controlling Arm Spring 0/228.003.0006 (u. 1)
7	<ul style="list-style-type: none"> Dust Proof Rubber Sleeve 0/228.003.0007 (u. 1)
8	<ul style="list-style-type: none"> Cover Comp.Right Crankcase 0/228.003.0008 (u. 1)
9	<ul style="list-style-type: none"> OIL RULER ASSY 0/006.126.0061 (u. 1)
10	<ul style="list-style-type: none"> O-RING, Ø18×3 0/006.128.0042 (u. 1)
11	<ul style="list-style-type: none"> PIN 8×14×6.3 0/006.126.0022 (u. 4)
12	<ul style="list-style-type: none"> Holder Clutch Cable 0/228.003.0012 (u. 1)
13	<ul style="list-style-type: none"> JUNTA TAPA CARTER DCHO. 0/006.128.0101 (u. 1)
14	<ul style="list-style-type: none"> Bolt, M6×10 0/228.003.0014 (u. 1)

15	<ul style="list-style-type: none"> ● FIXING PLATE, MAGNETO CABLE 0/006.126.0066 (u. 1)
16	<ul style="list-style-type: none"> ● JUNTA TAPA CARTER IZQ. 0/006.128.0102 (u. 1)
17	<ul style="list-style-type: none"> ● Cover Lift Crankcase 0/228.003.0017 (u. 1)
18	<ul style="list-style-type: none"> ● CAP BIG VIEW HOLE 0/000.410.4009 (u. 1)
19	<ul style="list-style-type: none"> ● O-RING f27.4x2.65 0/006.126.0070 (u. 1)
20	<ul style="list-style-type: none"> ● CAP SMALL VIEW HOLE 0/000.410.4008 (u. 1)
21	<ul style="list-style-type: none"> ● O-Ring,f13.2x2.65 0/228.003.0021 (u. 1)
22	<ul style="list-style-type: none"> ● BOLT, M6x45 0/006.128.0047 (u. 3)
23	<ul style="list-style-type: none"> ● BOLT, M6x30 0/006.128.0036 (u. 2)
24	<ul style="list-style-type: none"> ● BOLT M6x35 0/006.126.0052 (u. 7)
25	<ul style="list-style-type: none"> ● BOLT, M6x22 0/006.128.0024 (u. 2)
26	<ul style="list-style-type: none"> ● FILTRO ACEITE CENTURY V2 0/228.003.0026 (u. 1)
27	<ul style="list-style-type: none"> ● Ring 0/228.003.0027 (u. 1)
28	<ul style="list-style-type: none"> ● Cap Oil Filter 0/228.003.0028 (u. 1)
29	<ul style="list-style-type: none"> ● Ring 0/228.003.0029 (u. 1)
30	<ul style="list-style-type: none"> ● TAPA BOMBA AGUA 0/006.129.0001 (u. 1)
31	<ul style="list-style-type: none"> ● Pin, f8x8 0/228.003.0031 (u. 2)
32	<ul style="list-style-type: none"> ● BOLT, M6x20 0/006.128.0018 (u. 3)
33	<ul style="list-style-type: none"> ● Bolt, M6x70 0/228.003.0033 (u. 1)
34	<ul style="list-style-type: none"> ● BOLT, M6x45 0/006.128.0047 (u. 1)

EMBRAGUE


1	<ul style="list-style-type: none"> ● CLUTCH ASSY 0/006.126.0040 (u. 1)
2	<ul style="list-style-type: none"> ● PUSHING ROD, CLUTCH 0/006.126.0041 (u. 1)
3	<ul style="list-style-type: none"> ● SLEEVE, CLUTCH 0/006.126.0043 (u. 1)
4	<ul style="list-style-type: none"> ● BeaRing, (6003_C3) 0/228.004.0004 (u. 1)
5	<ul style="list-style-type: none"> ● BOLT, M6x22 0/006.128.0024 (u. 4)
6	<ul style="list-style-type: none"> ● END COVER CLUTCH 0/006.128.0025 (u. 1)
7	<ul style="list-style-type: none"> ● SPRING, CLUTCH 0/006.128.0026 (u. 4)
8	<ul style="list-style-type: none"> ● CENTER SLEEVE CLUTCH 0/006.128.0027 (u. 1)
9	<ul style="list-style-type: none"> ● DRIVE FRICTION DISK 0/006.128.0028 (u. 5)
10	<ul style="list-style-type: none"> ● OUTER FRICTION DISK A 0/006.128.0029 (u. 4)
11	<ul style="list-style-type: none"> ● PRESSURE PLATE CLUTCH 0/006.128.0030 (u. 1)
12	<ul style="list-style-type: none"> ● WASHER 0/006.128.0031 (u. 1)
13	<ul style="list-style-type: none"> ● OUT CASE ASSEMBLY CLUTCH 0/006.128.0032 (u. 1)

OIL PUMP



1 ● OIL PUMP ASSY
0/006.126.0051 (u. 1)

2 ● SCREW, M4x8
0/006.128.0059 (u. 1)

3 ● OIL PUMP COVER
0/006.128.0060 (u. 1)

4 ● INNER ROTOR OIL PUMP
0/006.128.0061 (u. 1)

5 ● OUTER ROTOR OIL PUMP
0/006.128.0062 (u. 1)

6 ● OIL PUMP BODY
0/006.128.0063 (u. 1)

7 ● PIN, Ø2.5x10
0/006.128.0064 (u. 1)

8 ● PIN, Ø4x24
0/006.128.0065 (u. 1)

9 ● SHAFT OIL PUMP
0/006.128.0066 (u. 1)

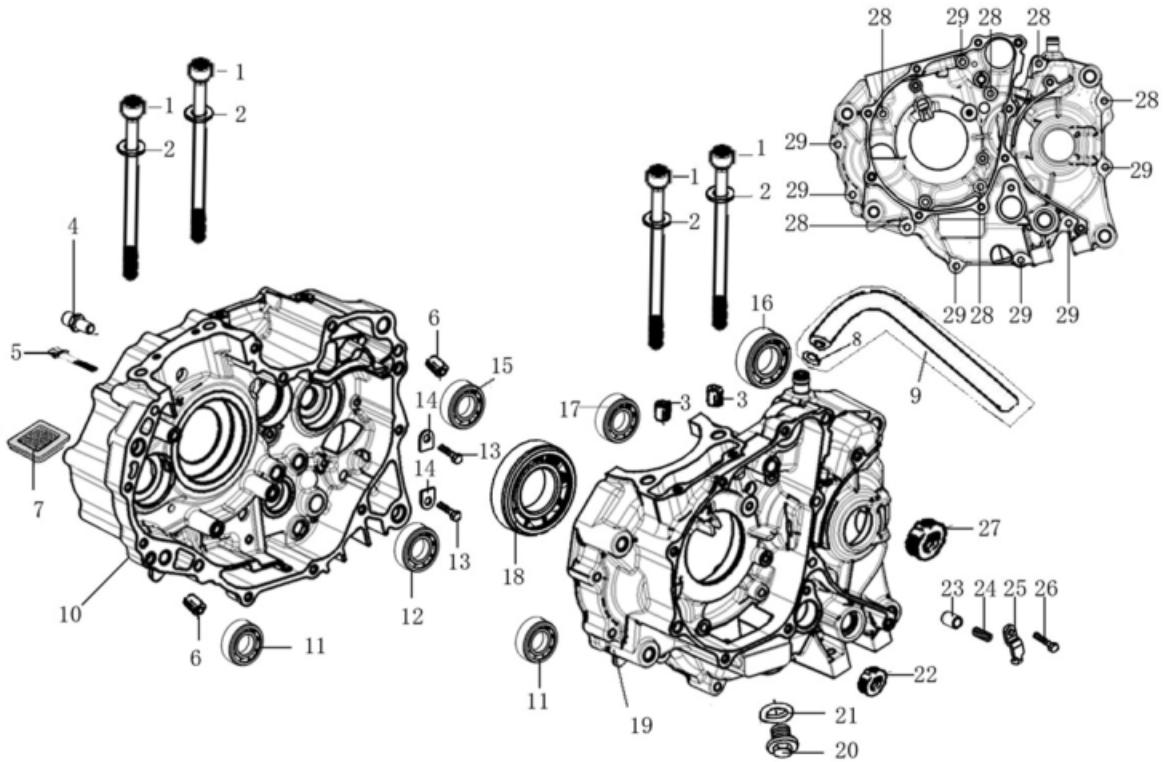
10 ● GEAR OIL PUMP
0/006.128.0067 (u. 1)

11 ● RETAINING RING, 6
0/006.128.0068 (u. 1)

12 ● PIN 8x14x6.3
0/006.126.0022 (u. 2)

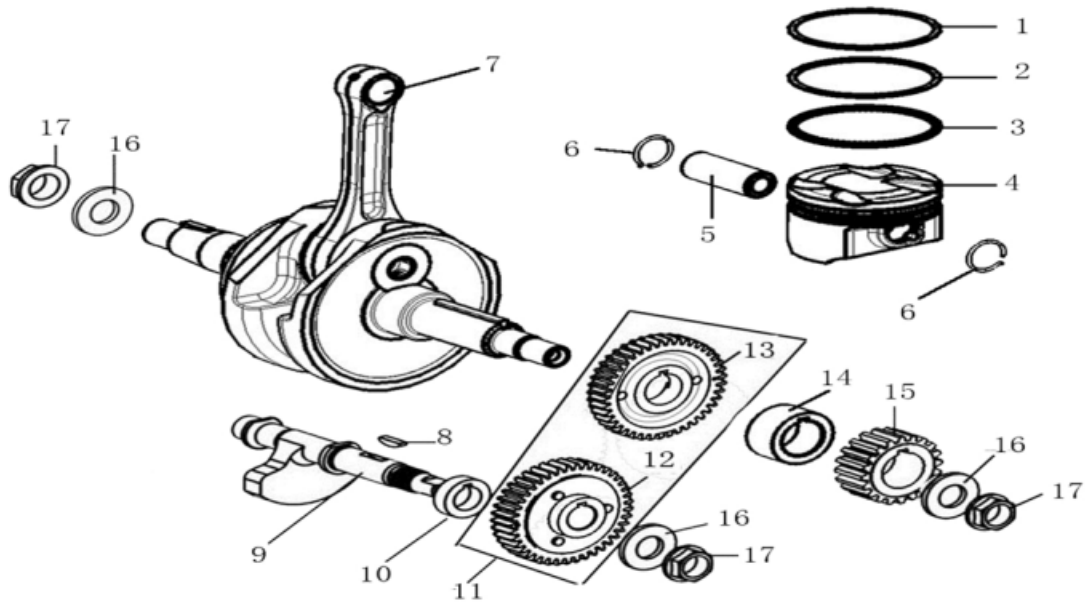
13 ● BOLT M6x35
0/006.126.0052 (u. 2)

CUBIERTA MOTOR



1	<ul style="list-style-type: none"> Cylinder Stud Bolt AB 0/228.006.0001 (u. 4)
2	<ul style="list-style-type: none"> Washer, f8.5×1.5×f16 0/228.006.0002 (u. 4)
3	<ul style="list-style-type: none"> Pin, f10×14 0/228.001.0014 (u. 2)
4	<ul style="list-style-type: none"> BOLT, RETURN SPRINGN FIXING M8×30 0/006.126.0080 (u. 1)
5	<ul style="list-style-type: none"> Bolt, M6×60 0/228.006.0005 (u. 1)
6	<ul style="list-style-type: none"> PIN 8×14×6.3 0/006.126.0022 (u. 2)
7	<ul style="list-style-type: none"> STRAINER, OIL FILTER 0/006.126.0082 (u. 1)
8	<ul style="list-style-type: none"> #N/A 0/228.006.0008 (u. 1)
9	<ul style="list-style-type: none"> Pipe Assy 0/228.006.0009 (u. 1)
10	<ul style="list-style-type: none"> Right Crankcase Block 0/228.006.0010 (u. 1)
11	<ul style="list-style-type: none"> BeaRing, (6302) 0/228.006.0011 (u. 2)
12	<ul style="list-style-type: none"> BeaRing, (6203_C3) 0/228.006.0012 (u. 1)
13	<ul style="list-style-type: none"> BOLT M6×16 0/006.126.0033 (u. 2)
14	<ul style="list-style-type: none"> PRESSURE PLATE, BEARING 0/006.126.0089 (u. 2)
15	<ul style="list-style-type: none"> BEARING (6303X3-RS) 0/006.126.0090 (u. 1)

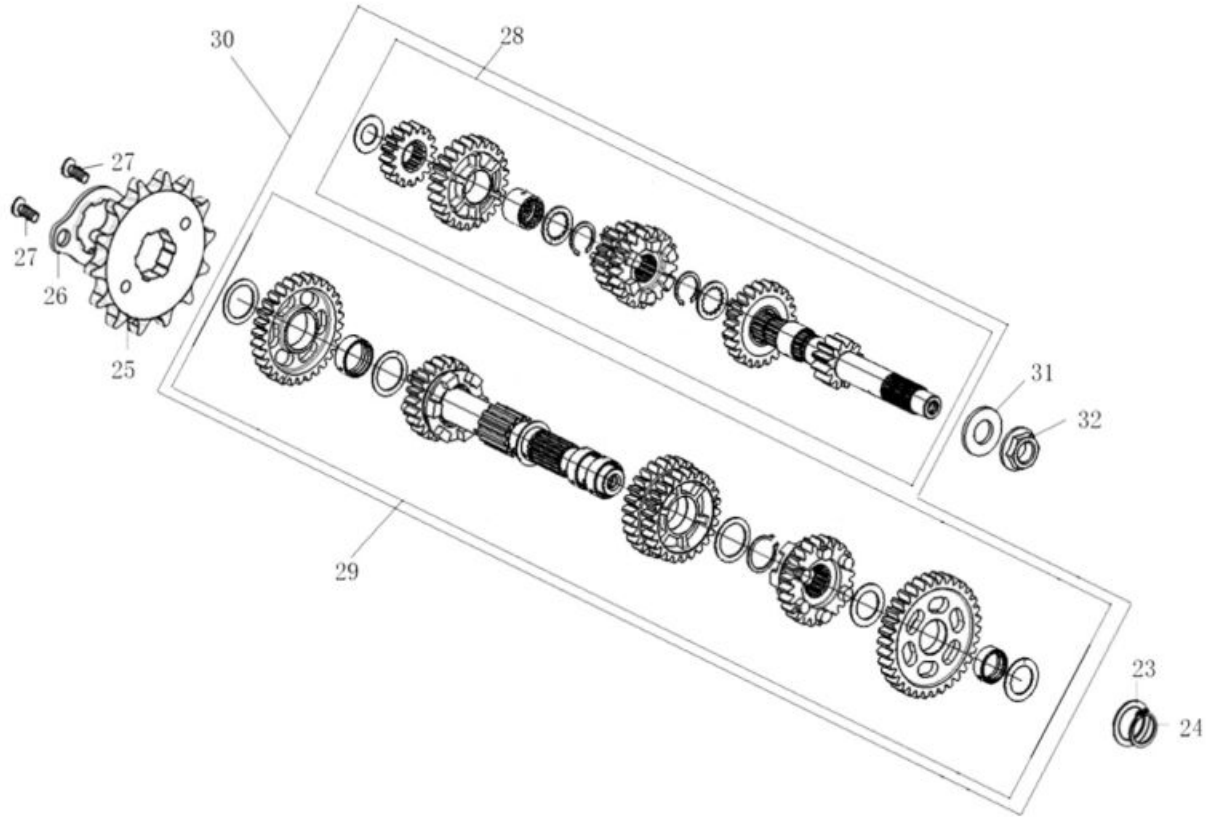
16	<ul style="list-style-type: none"> ● BeaRing,(6204) 0/228.006.0016 (u. 1)
17	<ul style="list-style-type: none"> ● BEARING (6201RS) 0/006.126.0092 (u. 1)
18	<ul style="list-style-type: none"> ● BeaRing,(63/28_X2H) 0/228.006.0018 (u. 1)
19	<ul style="list-style-type: none"> ● Left Crankcase Block 0/228.006.0019 (u. 1)
20	<ul style="list-style-type: none"> ● Oil Drain Plug 0/228.006.0020 (u. 1)
21	<ul style="list-style-type: none"> ● WASHER f12.4x2xf20 0/006.126.0096 (u. 1)
22	<ul style="list-style-type: none"> ● Oil Seal 14x22x5 0/228.006.0022 (u. 1)
23	<ul style="list-style-type: none"> ● PRESSING PIN BODY UPPER PIN 0/006.126.0098 (u. 1)
24	<ul style="list-style-type: none"> ● PRESSING PIN BODY SPRING 0/006.126.0099 (u. 1)
25	<ul style="list-style-type: none"> ● PRESSING PIN BODY STOP PLATE 0/006.126.0100 (u. 1)
26	<ul style="list-style-type: none"> ● SCREW SENSOR TEMPERATURE AND PRESSION M6x16 0/000.460.0093 (u. 1)
27	<ul style="list-style-type: none"> ● Oil Seal 20x34x7 0/228.006.0027 (u. 1)
28	<ul style="list-style-type: none"> ● BOLT, M6x70 0/006.128.0019 (u. 6)
29	<ul style="list-style-type: none"> ● BOLT, M6x40 0/006.128.0053 (u. 7)

CIGÜEÑAL Y PISTON


1	<ul style="list-style-type: none"> Piston Ring,1 0/228.007.0001 (u. 1)
2	<ul style="list-style-type: none"> Piston Ring,2 0/228.007.0002 (u. 1)
3	<ul style="list-style-type: none"> Oil Ring,Assy 0/228.007.0003 (u. 1)
4	<ul style="list-style-type: none"> Piston 0/228.007.0004 (u. 1)
5	<ul style="list-style-type: none"> Pin,Piston 0/228.007.0005 (u. 1)
6	<ul style="list-style-type: none"> Piston pin ring 0/228.007.0006 (u. 2)
7	<ul style="list-style-type: none"> Crankshaft Connecting-Rod Assy 0/228.007.0007 (u. 1)
8	<ul style="list-style-type: none"> SEMICIRCULAR KEY 0/006.126.0109 (u. 1)
9	<ul style="list-style-type: none"> Balance Shaft 0/228.007.0009 (u. 1)
10	<ul style="list-style-type: none"> BALANCE SHAFT BUSH 0/006.126.0111 (u. 1)
11	<ul style="list-style-type: none"> Drive Gear Set Balance Shaft 0/228.007.0011 (u. 1)
12	<ul style="list-style-type: none"> Driven Gear Ass 0/228.007.0012 (u. 1)
13	<ul style="list-style-type: none"> Driving Gear 0/228.007.0013 (u. 1)
14	<ul style="list-style-type: none"> Crank shaft Tube 0/228.007.0014 (u. 1)
15	<ul style="list-style-type: none"> PRIMARY DRIVE GEAR 0/006.126.0049 (u. 1)
16	<ul style="list-style-type: none"> WASHER f14,5x2,8xf29 0/006.126.0114 (u. 3)

17

- NUT M14x1.25x11
0/006.126.0113 (u. 3)

TRANSMISION


23 ● WASHER f17,5x1,2xf26
0/006.126.0120 (u. 1)

24 ● CIRCLIP 17
0/006.126.0121 (u. 1)

25 ● Drive Sprocket
0/228.008.0025 (u. 1)

26 ● Fixing Plate Drive Sprocket
0/228.008.0026 (u. 1)

27 ● Bolt
0/228.008.0027 (u. 2)

28 ● Main Shaft Transmission
0/228.008.0028 (u. 1)

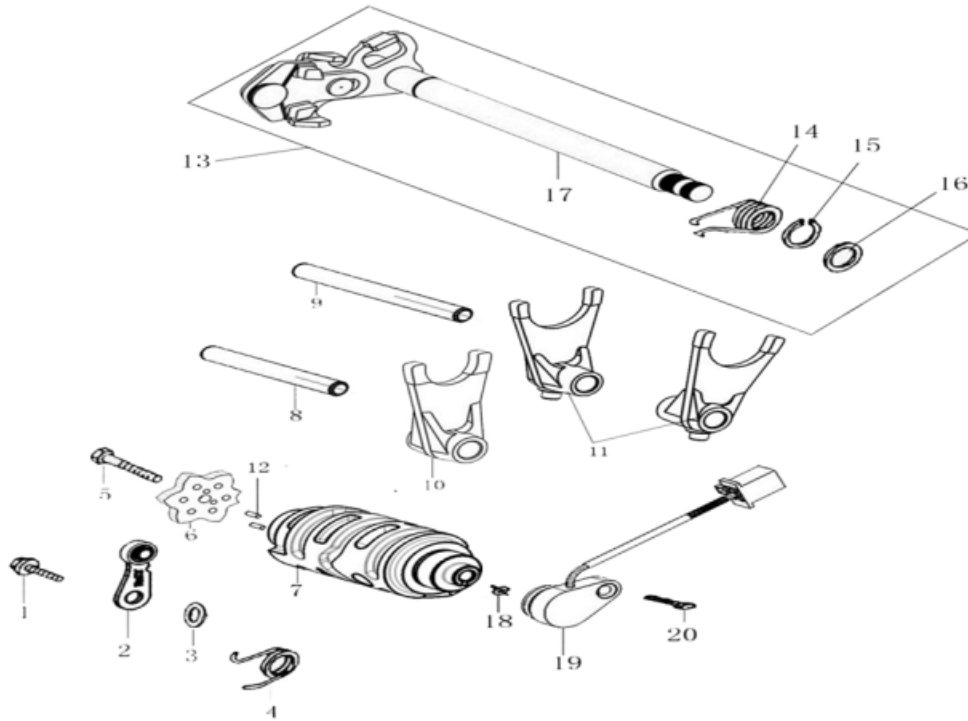
29 ● Coutershaft Transmission
0/228.008.0029 (u. 1)

30 ● Transmission Main Counter Shaft
0/228.008.0030 (u. 1)

31 ● WASHER f14,5x2,8xf29
0/006.126.0114 (u. 1)

32 ● LOCK NUT, CLUTCH
0/006.126.0115 (u. 1)

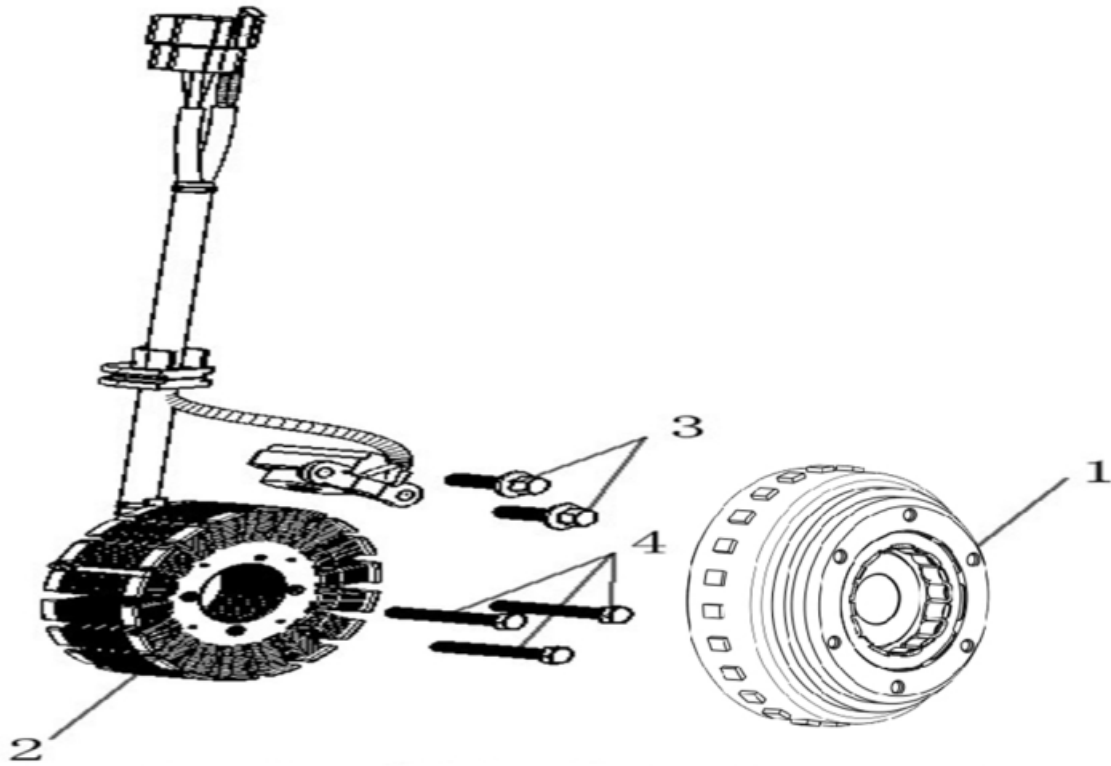
HORQUILLA CAMBIO



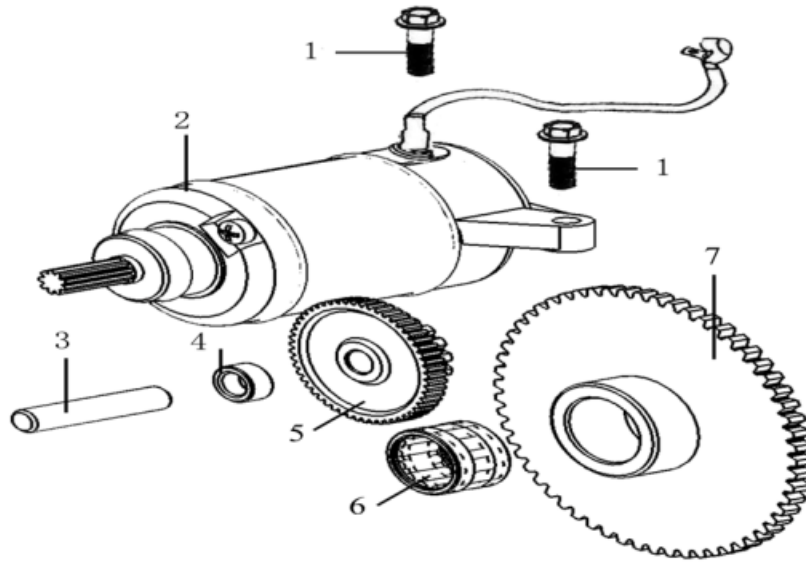
1	<ul style="list-style-type: none"> BOLT FIXING PLATE 0/006.126.0122 (u. 1)
2	<ul style="list-style-type: none"> Locating Plate Assy 0/228.009.0002 (u. 1)
3	<ul style="list-style-type: none"> WASHER f6.2x1xf14 0/006.126.0123 (u. 1)
4	<ul style="list-style-type: none"> SPRING ,LOCATING PLATE 0/006.126.0125 (u. 1)
5	<ul style="list-style-type: none"> BOLT M6x20 0/006.126.0126 (u. 1)
6	<ul style="list-style-type: none"> STOPPING PLATE 0/006.126.0127 (u. 1)
7	<ul style="list-style-type: none"> Gearshift Drum Comp 0/228.009.0007 (u. 1)
8	<ul style="list-style-type: none"> Shaft Gearshift Fork 0/228.009.0008 (u. 1)
9	<ul style="list-style-type: none"> Guide Pin,Selector Fork Center 0/228.009.0009 (u. 1)
10	<ul style="list-style-type: none"> PRIMARY AXEL FORK 0/006.126.0133 (u. 1)
11	<ul style="list-style-type: none"> SECONDARY AXEL FORK 0/006.126.0131 (u. 2)
12	<ul style="list-style-type: none"> PIN f3x8.5 0/006.126.0137 (u. 2)
13	<ul style="list-style-type: none"> Gearshift Lever Comp 0/228.009.0013 (u. 1)
14	<ul style="list-style-type: none"> RETURN SPRING 0/006.128.0095 (u. 1)
15	<ul style="list-style-type: none"> RETAINING RING, 14 0/006.128.0096 (u. 1)

16	● WASHER, Ø14×1×Ø21 0/006.128.0097 (u. 1)
18	● Contact Gearindication 0/228.009.0018 (u. 1)
19	● Gearshift Switch Comp 0/228.009.0019 (u. 1)
20	● Screw, M6×20 0/228.009.0020 (u. 1)

VOLANTE MAGNETICO

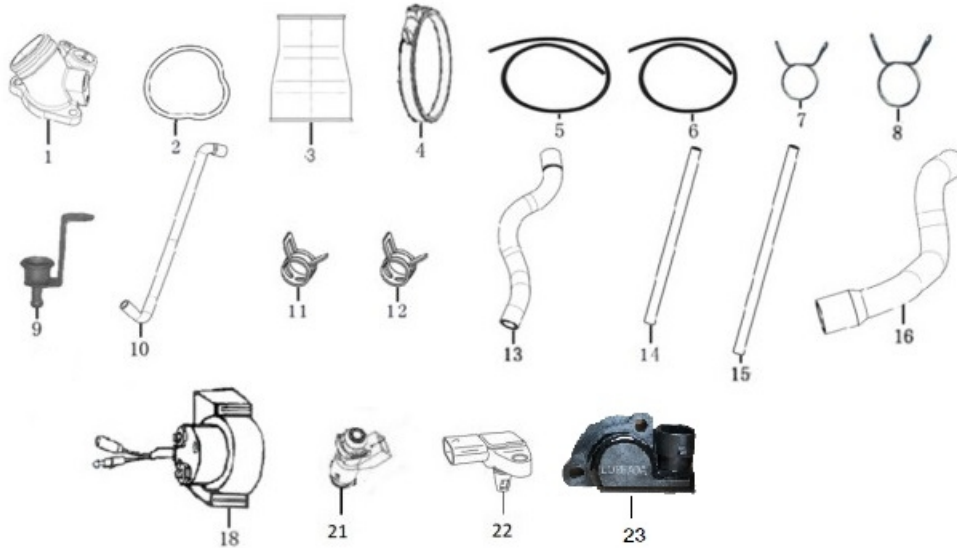


1	<ul style="list-style-type: none"> ● ROTOR ASSY,MAGNETO 0/006.126.0138 (u. 1)
2	<ul style="list-style-type: none"> ● Stator Assy,Magneto 0/228.010.0002 (u. 1)
3	<ul style="list-style-type: none"> ● SCREW SENSOR TEMPERATURE AND PRESSION M6x16 0/000.460.0093 (u. 2)
4	<ul style="list-style-type: none"> ● BOLT M5x30 0/006.126.0141 (u. 3)
5	<ul style="list-style-type: none"> ● EXTRACTOR VOLANTE MAGNETICO CENTURY E5 - MRT 125i LC E5 0/005.050.0801 (u. 1)

MOTOR ARRANQUE


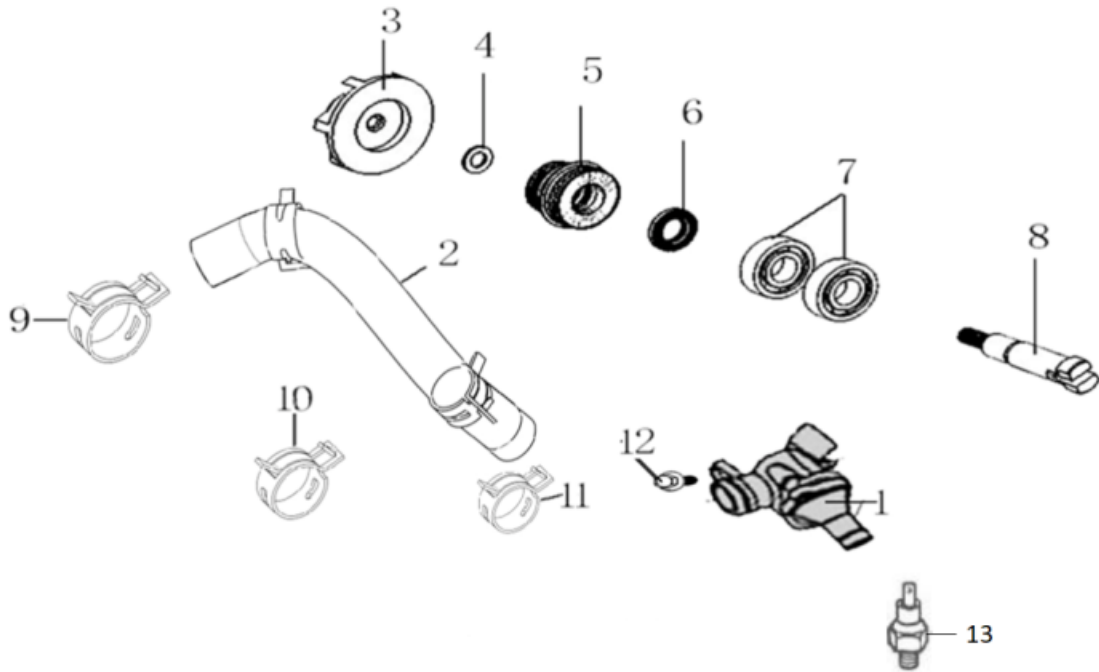
1	<ul style="list-style-type: none"> ● BOLT, M6×25 0/006.128.0035 (u. 2)
2	<ul style="list-style-type: none"> ● Starting Motor Assy 0/228.011.0002 (u. 1)
3	<ul style="list-style-type: none"> ● SHAFT,REDUCTION 0/006.126.0144 (u. 1)
4	<ul style="list-style-type: none"> ● REDUCTION SHAFT SLEEVE 0/006.126.0145 (u. 1)
5	<ul style="list-style-type: none"> ● TWIN GEAR, SET 0/006.126.0146 (u. 1)
6	<ul style="list-style-type: none"> ● NEEDLE BEARING (K22×29×17) 0/006.126.0147 (u. 1)
7	<ul style="list-style-type: none"> ● PLATE GEAR ASSY 0/006.126.0148 (u. 1)

COMPONENTES



1	<ul style="list-style-type: none"> TUBERA ADMISION / INYECCION AVENTURA 0/000.360.4308 (u. 1)
2	<ul style="list-style-type: none"> SEAL RING INTLET PIPE 0/000.490.4004 (u. 1)
3	<ul style="list-style-type: none"> CONNECTING PIPE 0/000.360.4016 (u. 1)
4	<ul style="list-style-type: none"> CLAMP INTLET PIPE 0/000.680.4022 (u. 1)
5	<ul style="list-style-type: none"> RUBBER PIPE Ø4 x Ø8 x 270 0/000.290.4035 (u. 1)
6	<ul style="list-style-type: none"> CANISTER CONNECTIG PIPE (4x8x1000) 0/000.290.4036 (u. 1)
7	<ul style="list-style-type: none"> CLIP CONNECTING PIPE Ø9,5 0/000.680.4021 (u. 1)
8	<ul style="list-style-type: none"> CLIP CONNECTING PIPE Ø9,5 0/000.680.4020 (u. 1)
9	<ul style="list-style-type: none"> Bracket 0/000.980.4229 (u. 1)
10	<ul style="list-style-type: none"> DEVAPORIZER ENGINE TUBE VENTURY v.2 0/000.290.4030 (u. 1)
11	<ul style="list-style-type: none"> SPRING HOSE CLAMP Ø17 0/000.680.4016 (u. 1)
12	<ul style="list-style-type: none"> SPRING HOSE CLAMP Ø15 0/000.680.4015 (u. 1)
13	<ul style="list-style-type: none"> RADIATOR TO CILINDER HEAD PIPE 0/000.290.4028 (u. 1)
14	<ul style="list-style-type: none"> EXPANSION TANK BREATHER TUBE 0/000.290.4020 (u. 1)
15	<ul style="list-style-type: none"> RADIATOR BREATHER TUBE 0/000.290.4019 (u. 1)
16	<ul style="list-style-type: none"> RADIATOR TO WATER PUMP PIPE 0/000.290.4029 (u. 1)

21	<ul style="list-style-type: none">• INJECTOR CENTURY v2 125i EURO5 2020 0/005.158.4000 (u. 1)
22	<ul style="list-style-type: none">• PRESSURE & TEMPERATURE SENSOR CENTURY v2 EURO5 0/001.010.4002 (u. 1)
23	<ul style="list-style-type: none">• SENSOR TPS MOTOR 0/005.158.4003 (u. 1)

CIRCUITO REFRIGERANTE


1	<ul style="list-style-type: none"> ● Thermostat 0/228.013.0001 (u. 1)
2	<ul style="list-style-type: none"> ● Tube 0/228.013.0002 (u. 1)
3	<ul style="list-style-type: none"> ● Ane Wheel Water Pump 0/228.013.0003 (u. 1)
4	<ul style="list-style-type: none"> ● Washer 0/228.013.0004 (u. 1)
5	<ul style="list-style-type: none"> ● Mechanism Seal Assy 0/228.013.0005 (u. 1)
6	<ul style="list-style-type: none"> ● Oil Seal 12×20×5 0/228.013.0006 (u. 1)
7	<ul style="list-style-type: none"> ● Bearing, 6001 0/228.013.0007 (u. 2)
8	<ul style="list-style-type: none"> ● Shaft Water Pump 0/228.013.0008 (u. 1)
9	<ul style="list-style-type: none"> ● SPRING HOSE CLAMP Ø26 0/000.680.4019 (u. 2)
10	<ul style="list-style-type: none"> ● SPRING HOSE CLAMP Ø24 0/000.680.4018 (u. 1)
11	<ul style="list-style-type: none"> ● SPRING HOSE CLAMP Ø22 0/000.680.4017 (u. 1)
12	<ul style="list-style-type: none"> ● SCREW SENSOR TEMPERATURE AND PRESSION M6x16 0/000.460.0093 (u. 1)
13	<ul style="list-style-type: none"> ● SENSOR TEMPERATURA MOTOR CENTURY v.2 0/001.010.4004 (u. 1)