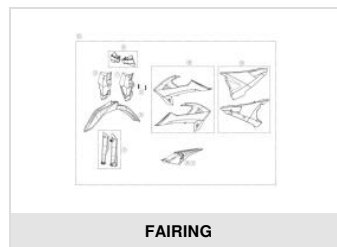
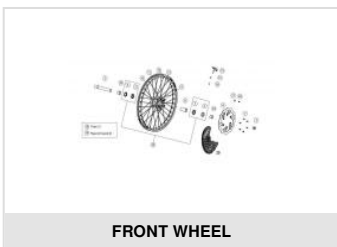
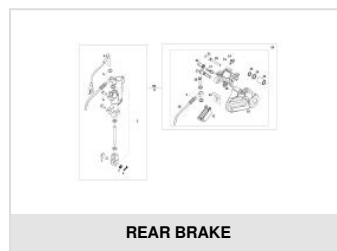
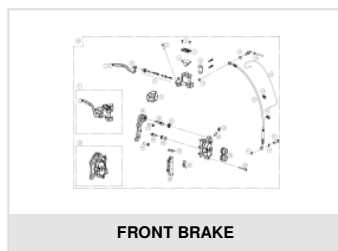
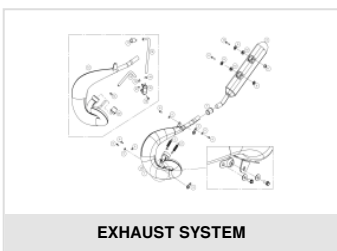
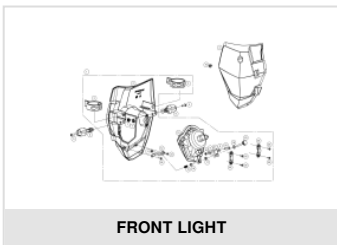
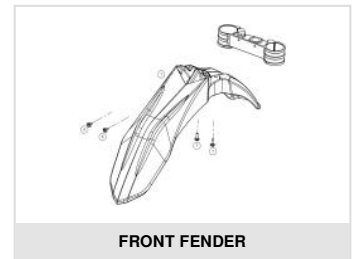
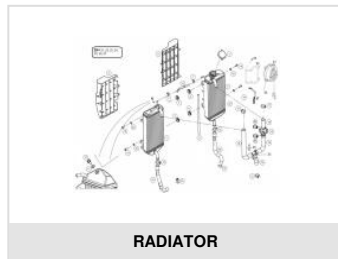
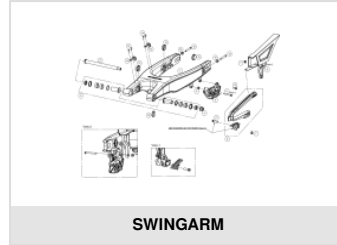
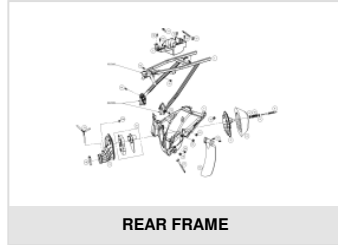
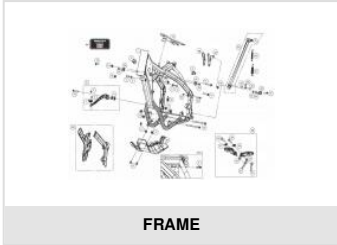
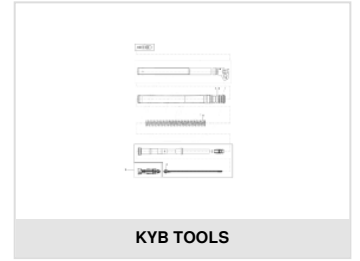
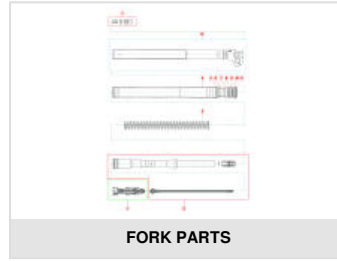
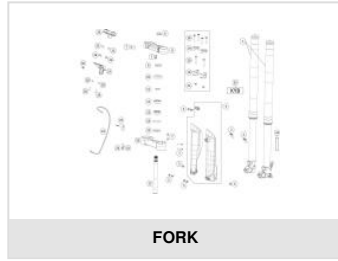
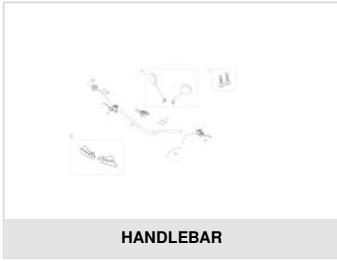


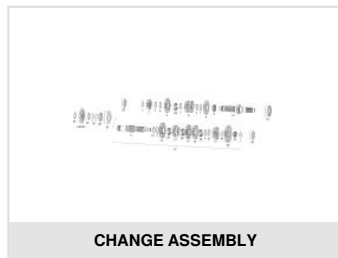
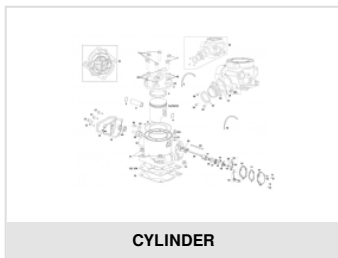
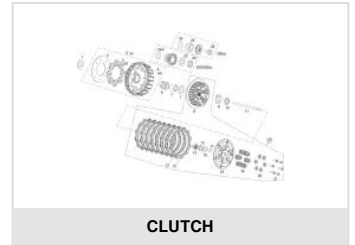
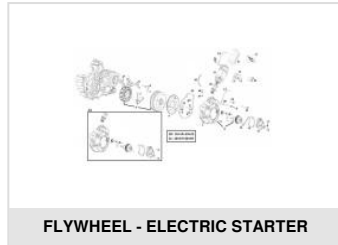
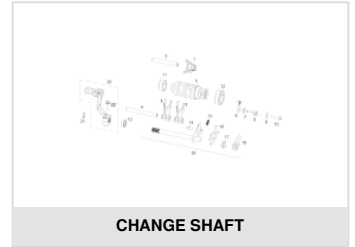
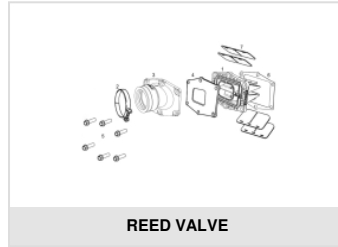
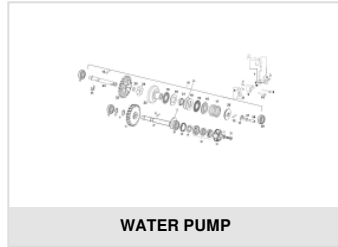


MR 300 ED LIM 80 ANIV 2022

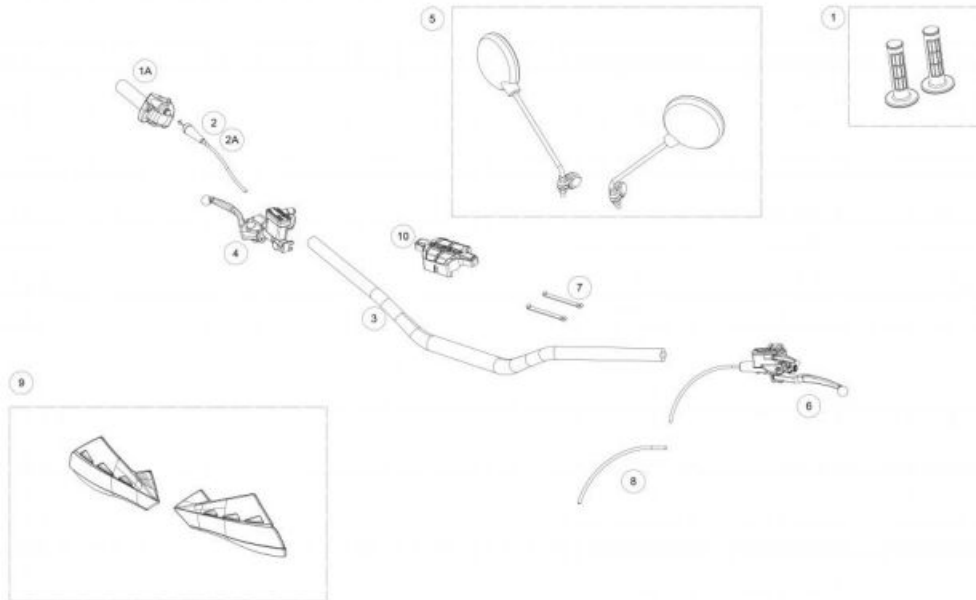
Exploded



ENGINE MR 2022 80 ANIV

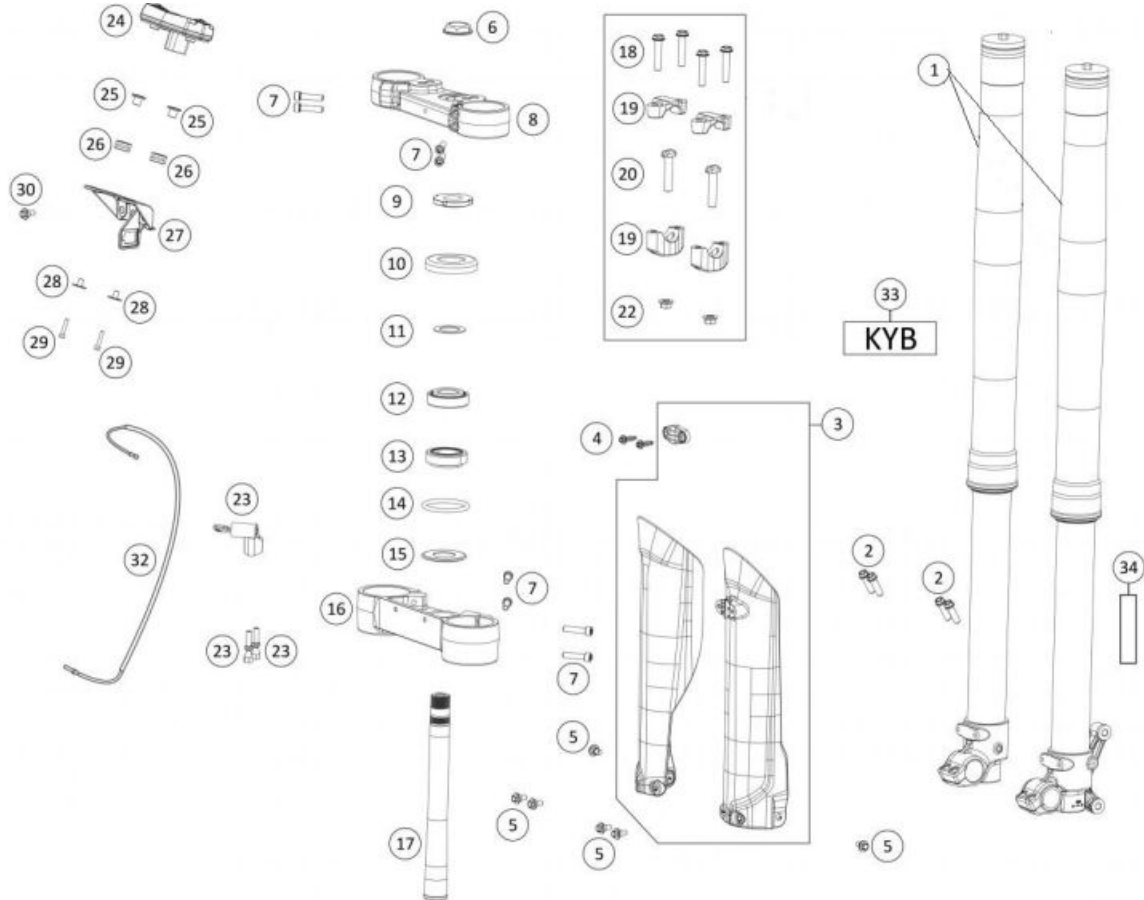


HANDLEBAR



1	<ul style="list-style-type: none"> GRIPS SET RENTHAL (G087A) DARK GREY 0/000.530.9103 (u. 1)
1A	<ul style="list-style-type: none"> TWIST GRIP 0/000.530.9100 (u. 1)
2	<ul style="list-style-type: none"> THROTTLE CABLE EC 2018 HOMOL. 0/000.550.9102 (u. 1)
2A	<ul style="list-style-type: none"> THROTTLE CABLE EC 2018 HOMOL. 0/000.550.9102 (u. 1)
3	<ul style="list-style-type: none"> HANDLEBAR RENTHAL RACING 2010 0/000.170.9102 (u. 1)
4	<ul style="list-style-type: none"> FRONT BRAKE PUMP 0/000.820.9106 (u. 1)
5	<ul style="list-style-type: none"> SET MIRROR (REG 81) 0/000.990.9100 (u. 1)
6	<ul style="list-style-type: none"> COMPLETE MAGURA CLUTCH PUMP, 9.5 (167) 0/000.830.9101 (u. 1)
7	<ul style="list-style-type: none"> CLAMP 0/000.680.0060 (u. 2) RUBBER CABLE TIES 0/000.360.9110 (u. 2)
8	<ul style="list-style-type: none"> THROTTLE CABLE STARTER ENDURO 2018 0/000.550.9100 (u. 1)
9	<ul style="list-style-type: none"> HAND GUARDS WHITE POLISPORT BE90000223012 (u. 1)
10	<ul style="list-style-type: none"> PROTECT HANDLEBARS EC 2019 0/000.220.9105 (u. 1)

FORK

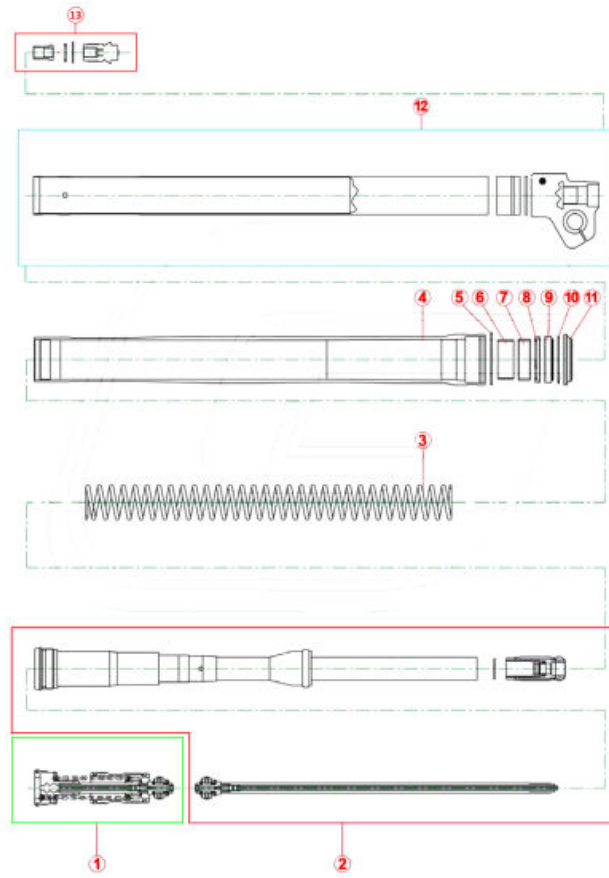


1	<ul style="list-style-type: none"> CJTO. SUSPENSION MR RACING 0/K00.130.9100 (u. 1)
2	<ul style="list-style-type: none"> SCREW SPECIAL 8X25 GEOMET 10.9 0/000.460.9137 (u. 4)
3	<ul style="list-style-type: none"> SET PROT.FORK MR300 BLACK 0/000.220.9118 (u. 1)
4	<ul style="list-style-type: none"> TORNILLO DEPOSITO - SILLIN Ø6x23 0/000.460.9177 (u. 2)
	<ul style="list-style-type: none"> TORN. ESP. ROSCA PLASTICO Hex.6 C/Arandela 6x20 0/000.460.9178 (u. 2)
	<ul style="list-style-type: none"> TORNILLO ESPECIAL ROSCA PLASTICO CABOTA HEXAGONAL T0806020 (u. 2)
	<ul style="list-style-type: none"> BOLT TANK-SEAT 6x23 (EJOT ref. 05100519) T0806023 (u. 2)
5	<ul style="list-style-type: none"> SCREW ESP.6X8 DRACOMET 0/000.460.9162 (u. 6)
6	<ul style="list-style-type: none"> STEERING SHAFT NUT 0/000.340.9102 (u. 1)
7	<ul style="list-style-type: none"> ALLEN BOLT 7X30 DIN 912 ZINC 12.9 0/000.460.9151 (u. 10)
8	<ul style="list-style-type: none"> TOP-BRIDGE SUSP.BLACK 0/000.660.9102 (u. 1)
9	<ul style="list-style-type: none"> LOWER STEERING SHAFT NUT 0/000.340.9101 (u. 1)
10	<ul style="list-style-type: none"> BEARING DUST COVER BLACK 0/000.200.9100 (u. 1)
11	<ul style="list-style-type: none"> STEERING WASHER 0/000.440.9101 (u. 1)

OBSOLETE

12	<ul style="list-style-type: none"> ● STEERING BEARING 30205A 0/000.960.9101 (u. 1)
13	<ul style="list-style-type: none"> ● STEERING BEARING INF.320/28 0/000.960.9100 (u. 1)
14	<ul style="list-style-type: none"> ● STEERING O-RING 50x5 0/000.490.9102 (u. 1)
15	<ul style="list-style-type: none"> ● STEERING CAP D.28 0/000.200.9101 (u. 1)
16	<ul style="list-style-type: none"> ● LOWER-BRIDGESUSP.BLACK 0/000.660.9100 (u. 1)
17	<ul style="list-style-type: none"> ● AXLE STEERING 0/000.190.9100 (u. 1)
18	<ul style="list-style-type: none"> ● SCREW SPECIAL 8X40 GEOMET 10.9 0/000.460.9140 (u. 4)
19	<ul style="list-style-type: none"> ● KIT PUENTES SUPERIOR MANILLAR ANODIZADO NATURAL MR 0/K00.350.9101 (u. 1)
20	<ul style="list-style-type: none"> ● 10X45 SPEZIAL BOLT G5 12.9 0/000.460.9113 (u. 2)
22	<ul style="list-style-type: none"> ● SHOCK ABSORBER BOLT NUT 0/000.340.0182 (u. 2)
	<ul style="list-style-type: none"> ● NUT AUTOB.M10 PASO 1.50 WASHER DIN 6926 ZINC 8 0/000.340.9124 (u. 2)
	OBSOLETE
23	<ul style="list-style-type: none"> ● STEERING SHAFT ENDURO 2018 BE15025CT-CLJ-1 (u. 1)
24	<ul style="list-style-type: none"> ● SET MULTIFUNCION "EVEREST" EC 2018 0/001.000.9100 (u. 1)
25	<ul style="list-style-type: none"> ● ARANDELA ALA ANCHA DIN 522 M4 INOX 0/000.440.0044 (u. 2)
	<ul style="list-style-type: none"> ● ARANDELA SCHNORR M4 INOX 0/000.440.0043 (u. 2)
26	<ul style="list-style-type: none"> ● GROMMET 0/000.360.4002 (u. 2)
27	<ul style="list-style-type: none"> ● BRACKET MULTIFUNCION EC 2018 0/000.980.9108 (u. 1)
28	<ul style="list-style-type: none"> ● CASQUILLO MARCADOR MR 0/000.480.9130 (u. 2)
29	<ul style="list-style-type: none"> ● SCREW ISO 7380 Torx T-20 M4x20 INOX 0/000.460.0079 (u. 2)
30	<ul style="list-style-type: none"> ● SCREW ESP.6x7 DRACOMET 0/000.460.9161 (u. 1)
32	<ul style="list-style-type: none"> ● TT MULTIFUNCTION HOSE 0/001.010.9100 (u. 1)
33	<ul style="list-style-type: none"> ● BLACK STICKER SUSPENSION KYB 200 x 87 mm 0/000.390.9149 (u. 1)
	<ul style="list-style-type: none"> ● RED STICKER SUSPENSION KYB 200 x 87 mm 0/000.390.9142 (u. 1)
34	<ul style="list-style-type: none"> ● STICKER CATADRIOPTICO 0/000.630.9102 (u. 2)

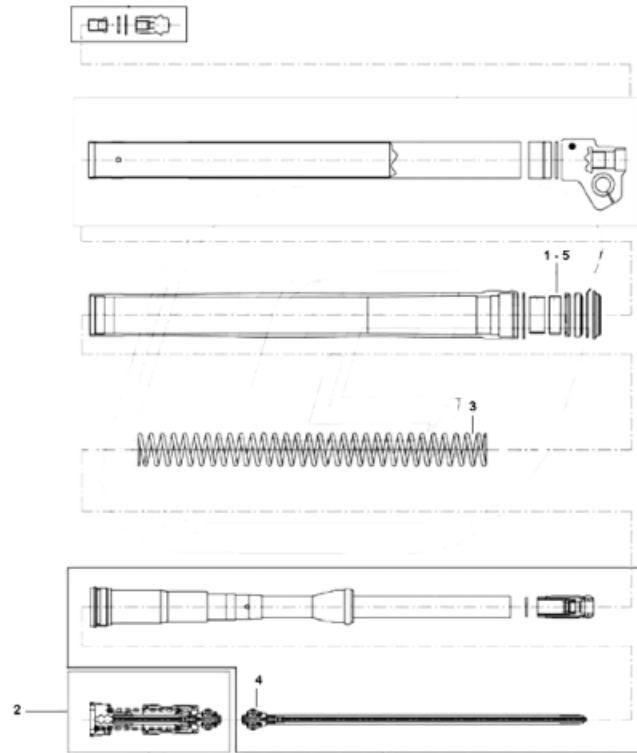
FORK PARTS



1	<ul style="list-style-type: none"> ● SET CAP SUSPENSION KAYABA ENDURO BE20240CT-CLJ-1 (u. 1)
2	<ul style="list-style-type: none"> ● SET HIDRAULIC SUSPENSION KAYABA ENDURO BE20220GG-CLJ-1 (u. 1)
3A	<ul style="list-style-type: none"> ● SET SPRINGS SUSPENSION 4.0 KAYABA ENDURO BE20170CT-CLJ-1 (u. 2)
3B	<ul style="list-style-type: none"> ● SET SPRINGS SUSPENSION 4.2 KAYABA ENDURO BE20171CT-CLJ-1 (u. 2)
3C	<ul style="list-style-type: none"> ● SET SPRINGS SUSPENSION 4.4 KAYABA ENDURO BE20172CT-CLJ-1 (u. 2)
4	<ul style="list-style-type: none"> ● SET. BOTTEL SUSPENSION KAYABA ENDURO BE20100CT-CLJ-1 (u. 1)
5	<ul style="list-style-type: none"> ● RING RETENCION SUSPENSION KAYABA ENDURO BE20145GG-CLJ-1 (u. 1)
6	<ul style="list-style-type: none"> ● GLACIER FORK-LEG SUSPENSION KAYABA ENDURO BE20150GG-CLJ-1 (u. 1)
7	<ul style="list-style-type: none"> ● GLACIER BAR SUSPENSION KAYABA ENDURO BE20151GG-CLJ-1 (u. 1)
8	<ul style="list-style-type: none"> ● WASHER SUSPENSION KAYABA ENDURO BE20186GG-CLJ-1 (u. 1)
9	<ul style="list-style-type: none"> ● SET RETENES SUSPENSION KAYABA ENDURO BE20140CT-CLJ-1 (u. 1)
10	<ul style="list-style-type: none"> ● SET CIRCLIP SUSPENSION KAYABA ENDURO BE20135GG-CLJ-1 (u. 1)
11	<ul style="list-style-type: none"> ● SET DUSTKEEPER SUSPENSION KAYABA ENDURO BE20130CT-CLJ-1 (u. 1)
12A	<ul style="list-style-type: none"> ● CTO.BARRA SUSPENSION DERECHA KAYABA ENDURO BE20110CT-CLJ-1 (u. 1)

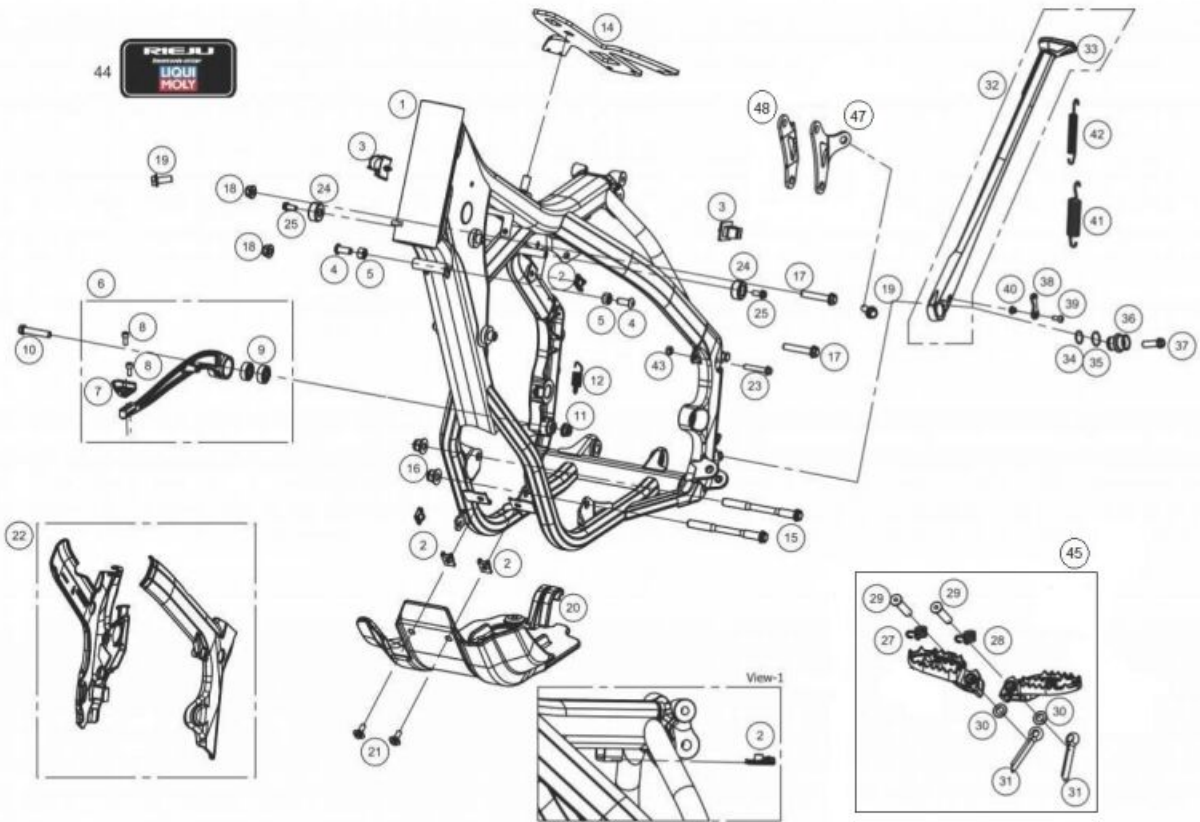
12B	<ul style="list-style-type: none">• SET. BAR SUSPENSION LEFT KAYABA ENDURO BE20115CT-CLJ-1 (u. 1)
13	<ul style="list-style-type: none">• CAP REGULACION EXTENSION SUSPENSION KAYABA ENDURO BE20120GG-CLJ-1 (u. 1)

KYB TOOLS



- | | |
|---|--|
| 1 | <ul style="list-style-type: none"> TOOL SEAL SUSPENSION KAYABA ENDURO BE20225GG-CLJ-1 (u. 1) |
| 2 | <ul style="list-style-type: none"> TOOL CAP SUSPENSION KAYABA ENDURO BE21105GG-CLJ-1 (u. 1) |
| 3 | <ul style="list-style-type: none"> TOOL BRACKET PISTON AJUSTE SUSPENSION KAYABA ENDUR BE20230GG-CLJ-1 (u. 1) |
| 4 | <ul style="list-style-type: none"> TOOL CAP CARTRIDGE SUSPENSION KAYABA ENDURO BE21106GG-CLJ-1 (u. 1) |
| 5 | <ul style="list-style-type: none"> TOOL INSERTADOR SEAL SUSPENSION KAYABA ENDURO BE20235GG-CLJ-1 (u. 1) |

FRAME

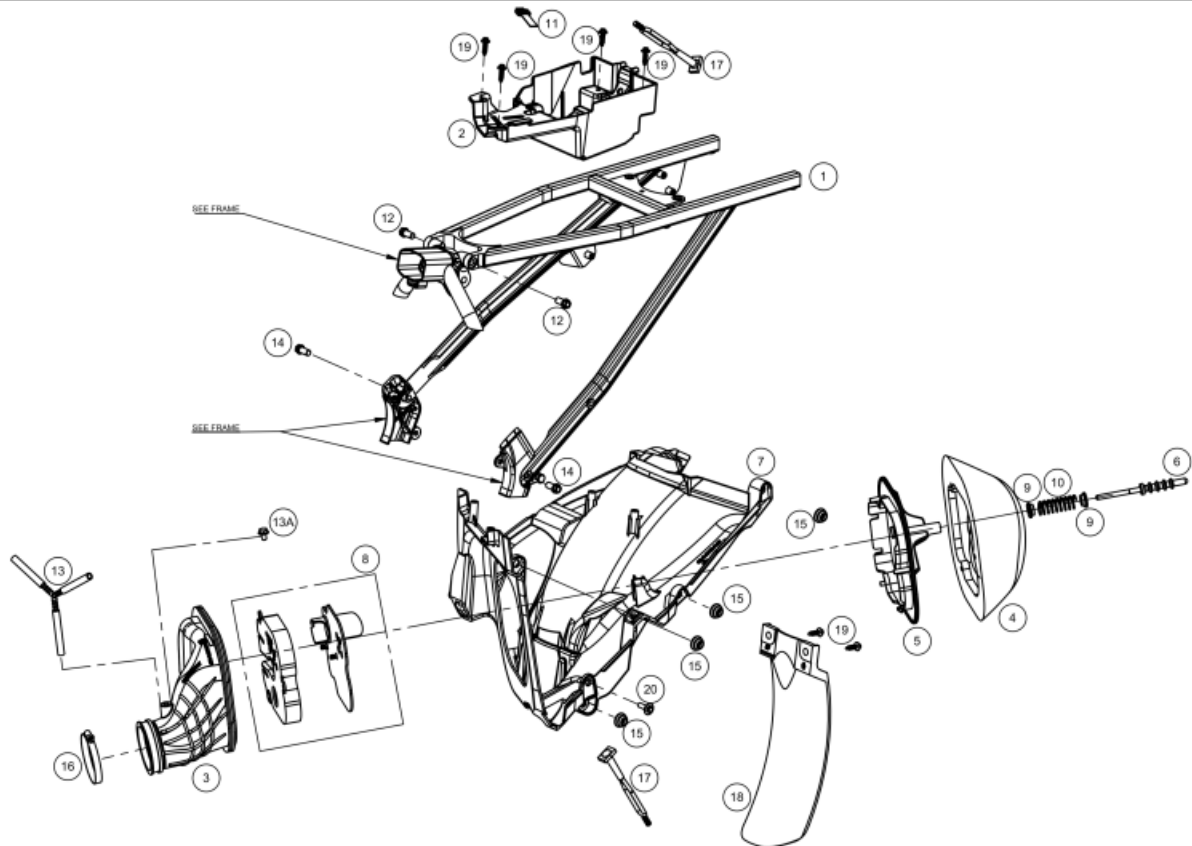


1	● CHASIS MR 300 VERDE 0/000.010.9105 (u. 1)
2	● NUT 6MM 0/000.340.9120 (u. 5)
3	● CLIP (1E3J) SUJ. INST. ENDURO 2018 0/000.630.9100 (u. 2)
4	● ALLEN BOLT 8x25 ISO 7380-1 ZN 10.9 0/000.460.9157 (u. 2)
5	● ZINC STEERING STOPNUT M8X13X8 ISO 4033 ZINC 0/000.340.9109 (u. 2)
6	● KICK BRAKE ENDURO 2018 0/000.730.9100 (u. 1)
7	● PUNTERA KICK BRAKE BE130102510 (u. 1)
9	● Bearing 628-2RS BE13025GG-CLJ-1 (u. 2)
10	● TORNILLO DIN 912 Allen M8x45 Cal.8.8 Z/BLANCO 0/000.460.0382 (u. 1)
11	● M8 NUT 0/000.340.0180 (u. 1)
12	● BRAKE PEDAL WIRE 0/000.470.9100 (u. 1)
14	● RUBBER PROT.TANK GASOL.ENDURO 2018 0/000.220.9116 (u. 1)
15	● SCREW 10x113 GEOMET 10.9 0/000.460.9132 (u. 2)
16	● NUT 10mm (1.25) ZINC 8 0/000.340.9123 (u. 2)

17	<ul style="list-style-type: none"> SPECIAL SCREW 8x50 GEOMET 10.9 0/000.460.9141 (u. 1) 	
	<ul style="list-style-type: none"> REAR CHASSIS ATTACHMENT WASHER 0/000.440.0160 (u. 4) 	
19	<ul style="list-style-type: none"> SREW SPECIAL 8x20 GEOMET 10.9 0/000.460.9136 (u. 4) 	
	<ul style="list-style-type: none"> TUERCA DIN 6927 M8 Cal.8 Z/BLANCO 0/000.340.0188 (u. 4) 	
20	<ul style="list-style-type: none"> ENGINE AND LINK GUARD BLACK 0/000.220.9152 (u. 1) 	
21	<ul style="list-style-type: none"> BOLT 6X12 0/000.460.9101 (u. 2) 	
22	<ul style="list-style-type: none"> KIT PROTECTORES LATERALES CHASIS MR NEGROS 0/K00.220.9103 (u. 1) 	
23	<ul style="list-style-type: none"> SPECIAL BOLT 6X35 DIN 6921 GEOMET 0/000.460.9124 (u. 1) 	
24	<ul style="list-style-type: none"> SILENTBLOCK+WASHER TANK GASOL. 0/000.360.9106 (u. 2) 	
25	<ul style="list-style-type: none"> HEX BOLT WASHER 6x14 (Fork Brace) DIN 6921 0/000.460.9118 (u. 2) 	
27	<ul style="list-style-type: none"> SPRING FOOTREST RIGHT. 0/000.470.9101 (u. 1) 	OBSOLETE
	<ul style="list-style-type: none"> SPRING FOOTREST LEFT. 0/000.470.9102 (u. 1) 	
28	<ul style="list-style-type: none"> MUELLE ESTRIBERA PILOTO RH&LH 0/000.470.9113 (u. 1) 	
29	<ul style="list-style-type: none"> BUSH PIN FOOTREST 0/000.480.9101 (u. 2) 	
30	<ul style="list-style-type: none"> WASHER 10.5 X 20 X 2 ZINCADA DIN 125 0/000.440.9133 (u. 2) 	
31	<ul style="list-style-type: none"> PIN DIN 94 ISO 1234 0/000.840.9100 (u. 2) 	
32	<ul style="list-style-type: none"> CJTO. STAND MR RACING COMPLETE 0/K00.210.9100 (u. 1) 	
33	<ul style="list-style-type: none"> BASEL STAND ENDURO 2018 0/000.570.9100 (u. 1) 	
34	<ul style="list-style-type: none"> O-RING BUSH STAND 15x1,5 0/000.490.9100 (u. 1) 	
35	<ul style="list-style-type: none"> O-RING BUSH STAND 17x1,5 0/000.490.9101 (u. 1) 	
	<ul style="list-style-type: none"> BUSH FIX .STAND ENDURO 2018 0/000.480.9102 (u. 1) 	
36	<ul style="list-style-type: none"> CASQUILLO CABALLETE COMPETICIÓN 0/000.480.9129 (u. 1) - <i>NO HOMOLOG</i> 	
	<ul style="list-style-type: none"> SCREW SPECIAL 8X25 GEOMET 10.9 0/000.460.9137 (u. 1) 	
37	<ul style="list-style-type: none"> SCREW ISO 7380 Torx T-40 M8x25 INOX 0/000.460.0081 (u. 1) - <i>NO HOMOLOG</i> 	
38	<ul style="list-style-type: none"> LCAM STAND ENDURO 2018 0/000.830.9100 (u. 1) 	
39	<ul style="list-style-type: none"> TORNILLO ISO 7380 Torx T-25 con arandela M5x16 INOX 0/000.460.0083 (u. 1) 	
40	<ul style="list-style-type: none"> BUSH LCAM STAND ENDURO 0/000.480.9103 (u. 1) 	
41	<ul style="list-style-type: none"> SPRING EXTERIOR STAND ENDURO 2018 0/000.470.9103 (u. 1) 	

42	● SPRING INTERIOR STAND ENDURO 2018 0/000.470.9104 (u. 1)	
43	● NYLOCK NUT 6mm DIN 985 ZN CR3 6 0/000.340.9113 (u. 1)	
44	● CALCA RECOMENDACIÓN ACEITE 0/000.390.0000 (u. 1)	OBSOLETE
45	● ESTRIBERAS RACING HARD ROCK ALUMINIO NEGRO 0/000.740.9104 (u. 1)	
47	● TIRANTE CULATA LH MR 2022 0/000.980.9126 (u. 1)	
48	● TIRANTE CULATA RH MR 2022 0/000.980.9125 (u. 1)	

REAR FRAME

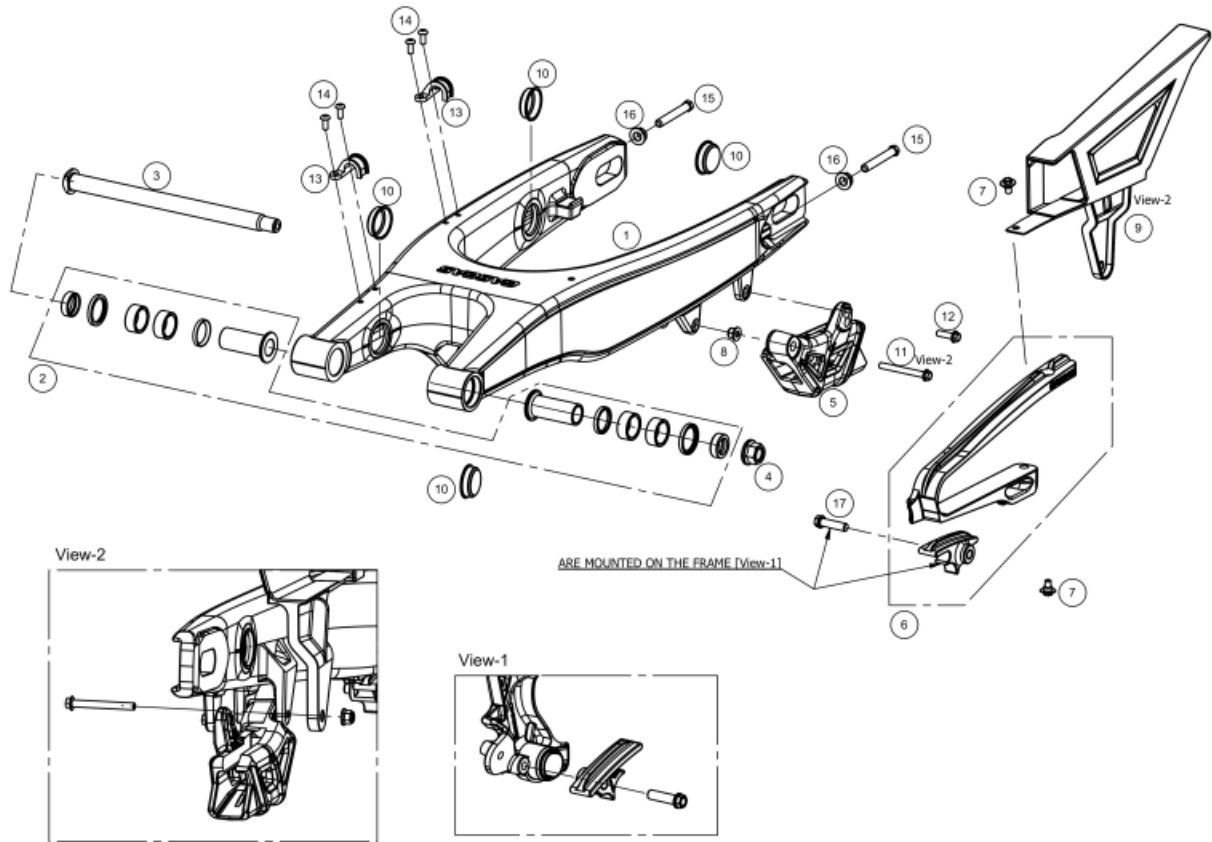


1	<ul style="list-style-type: none"> EC 2018 SUBCHASSIS KIT WITH RIVETS 0/K00.010.9102 (u. 1)
2	<ul style="list-style-type: none"> BRACKET BATTERY -CDI-RELE STARTER EC 2018 0/000.570.9101 (u. 1)
3	<ul style="list-style-type: none"> MANIFOLD C.FILTER.EC 2018 0/000.360.9113 (u. 1)
4	<ul style="list-style-type: none"> AIR FILTER FWF 0/001.070.9101 (u. 1)
5	<ul style="list-style-type: none"> HOLDER FILTER EC 2018 0/000.570.9104 (u. 1)
6	<ul style="list-style-type: none"> FILTER SUPPORT ROD 0/000.980.9117 (u. 1)
7	<ul style="list-style-type: none"> C.FILTER.ENDURO 2018 0/000.570.9103 (u. 1)
8	<ul style="list-style-type: none"> KIT RESTRICTOR FILTRO DE AIRE BE79800CT-CLJ-1 (u. 1)
9	<ul style="list-style-type: none"> AIR FILTER NYLON WASHER 0/000.440.9100 (u. 2)
10	<ul style="list-style-type: none"> FILTER BOX SPRING 0/000.470.9105 (u. 1)
11	<ul style="list-style-type: none"> CDI hold-down band 0/000.360.9101 (u. 1)
12	<ul style="list-style-type: none"> SCREW SPECIAL 8X25 GEOMET 10.9 0/000.460.9137 (u. 2)
13A	<ul style="list-style-type: none"> M6X12 BLACK ESPECIAL PLASTIC SCREW 0/000.460.9109 (u. 1)
13	<ul style="list-style-type: none"> SET TUBE SVAPORIZADOR BLOW BY ENDURO 2018 0/000.290.9106 (u. 1)

14	<ul style="list-style-type: none"> • SCREW SPECIAL 8X16 GEOMET 10.9 0/000.460.9135 (u. 2)
15	<ul style="list-style-type: none"> • SILENTBLOCK NUMBER-PLATE LEFT.ENDURO 2018 0/000.360.9109 (u. 4)
16	<ul style="list-style-type: none"> • CLAMP 50-70/9 INOX FE 0/000.680.9101 (u. 1)
17	<ul style="list-style-type: none"> • RUBBER STAND EC 2015 0/000.360.9100 (u. 2)
18	<ul style="list-style-type: none"> • PROT.SHOCK EC 2018 0/000.220.9117 (u. 1)
19	<ul style="list-style-type: none"> • BOLT TANK-SEAT 6x23 (EJOT ref. 05100519) T0806023 (u. 6)
	<ul style="list-style-type: none"> • TORNILLO DEPOSITO - SILLIN Ø6x23 0/000.460.9177 (u. 6)
	<ul style="list-style-type: none"> • TORNILLO ESPECIAL ROSCA PLASTICO CABOTA HEXAGONAL T0806020 (u. 6)
	<ul style="list-style-type: none"> • TORN. ESP. ROSCA PLASTICO Hex.6 C/Arandela 6x20 0/000.460.9178 (u. 6)
20	<ul style="list-style-type: none"> • BOLT ESP. 6X16 DRACOMET 0/000.460.9100 (u. 1)
21	<ul style="list-style-type: none"> • CRANKCASE VENT NIPPLE D.3 0/000.630.9105 (u. 1)

OBSOLETE

SWINGARM

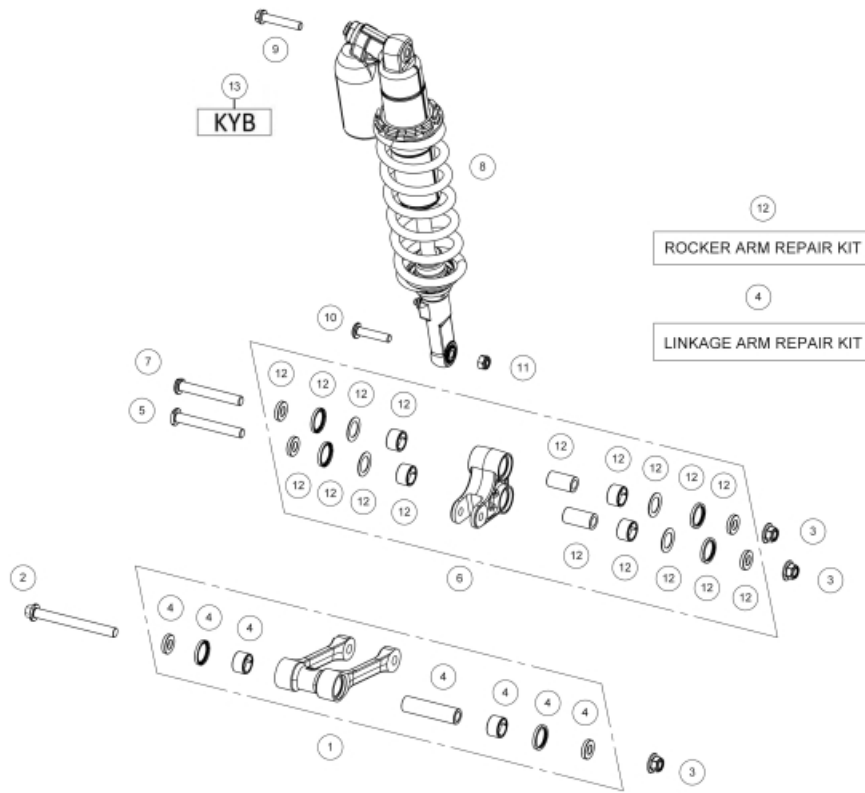


- | | |
|----|--|
| 1 | ● SWINGARM ENDURO 2018
0/000.020.9100 (u. 1) |
| 2 | ● SWINGARM SET REPARATION
BE41000CT-CLJ-1 (u. 1) |
| 3 | ● AXLE SWINGARM ENDURO 2018
0/000.190.9101 (u. 1) |
| 4 | ● SWINGARM NUT
0/000.340.9103 (u. 1) |
| 5 | ● GUIDE CHAIN
0/000.710.9100 (u. 1) |
| 6 | ● CHAIN SLIDER KIT 3 COMP.
BE43015CT-CLJ-1 (u. 1) |
| 7 | ● SCREW ESP.6x7 DRACOMET
0/000.460.9161 (u. 2) |
| 8 | ● PASSENGER FOOTREST NUT
0/000.340.0170 (u. 1) |
| 9 | ● PROT.CHAIN HOMOLEC 2018
0/000.220.9107 (u. 1) |
| 10 | ● CAP SWINGARM EC 2018 (465658)
0/000.410.9100 (u. 4) |
| 11 | ● SPECIAL SCREW 6X55 DIN 6921 DRACOMET 8.8
0/000.460.9127 (u. 1) |
| 12 | ● TORN.ESP. DIN 6921 Hex.8 TX30 M6x20 Cal.10.9 GEOMET
0/000.460.9181 (u. 1) |
| | ● BOLT 6x20 DIN 6921 GEOMET 10.9
0/000.460.9120 (u. 1) |
| 13 | ● SWINGARM HOSE HOLDER
0/000.630.9101 (u. 2) |

OBSOLETE

14	<ul style="list-style-type: none">• HEAD SCREW 5x15 DIN 6921 GEOMET 10.9 0/000.460.9115 (u. 4)
15	<ul style="list-style-type: none">• WHEEL TENSOR SCREW 0/000.460.9105 (u. 2)
16	<ul style="list-style-type: none">• M8 FLANGE NUT DIN 6927 ACERO 8 0/000.340.9118 (u. 2)
17	<ul style="list-style-type: none">• SPECIAL SCREW 8x35 GEOMET 10.9 0/000.460.9139 (u. 1)

SHOCK ABSORBER

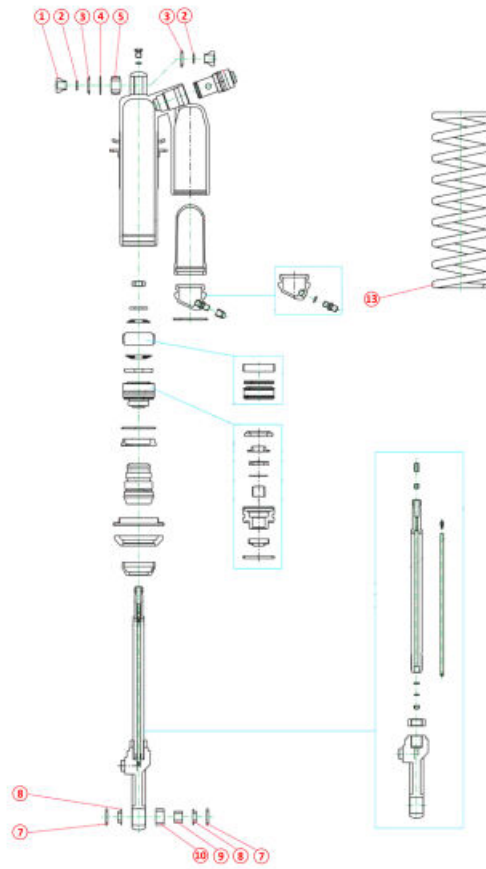


1	<ul style="list-style-type: none"> ● SET LINK ENDURO 2018 BE34000CT-CLJ-1 (u. 1) 	
2	<ul style="list-style-type: none"> ● SCREW AXLE LINK FRAME 22X128 0/000.460.9102 (u. 1) 	
3	<ul style="list-style-type: none"> ● NUT M12x1.25 .ZINC DIN 6923 ZINC 0/000.340.9115 (u. 3) 	
4	<ul style="list-style-type: none"> ● CONECTING ROD REPAIR EC KIT 2018 BE32035CT-CLJ-1 (u. 1) 	
5	<ul style="list-style-type: none"> ● SCREW AXLE LINK BALANCIN 22X99.5 0/000.460.9103 (u. 1) 	
6	<ul style="list-style-type: none"> ● SET BALANCIN ENDURO 2018 BE32000CT-CLJ-1 (u. 1) 	
7	<ul style="list-style-type: none"> ● SCREW AXLE BALANCIN SWINGARM 22X92.5 0/000.460.9104 (u. 1) 	
8	<ul style="list-style-type: none"> ● REAR SHOCK ABSORBER EC 2018 KYB 0/000.180.9100 (u. 1) 	
9	<ul style="list-style-type: none"> ● PERNO 10X55 10.9 GEOMET ISO 898-1 T0210055 (u. 1) ● SCREW 10x60 ISO 898-1 GEOMET 10.9 0/000.460.9131 (u. 1) 	OBSOLETE
10	<ul style="list-style-type: none"> ● SCREW AXLE INF.SHOCK 20X48.5 0/000.460.9107 (u. 1) 	
11	<ul style="list-style-type: none"> ● NUT AUTOBLOC.M10X125 DIN 985 ZINC 8 0/000.340.9110 (u. 1) 	
12	<ul style="list-style-type: none"> ● ROCKER ARM REPAIR KIT EC 2018 BE34035CT-CLJ-1 (u. 1) 	

13

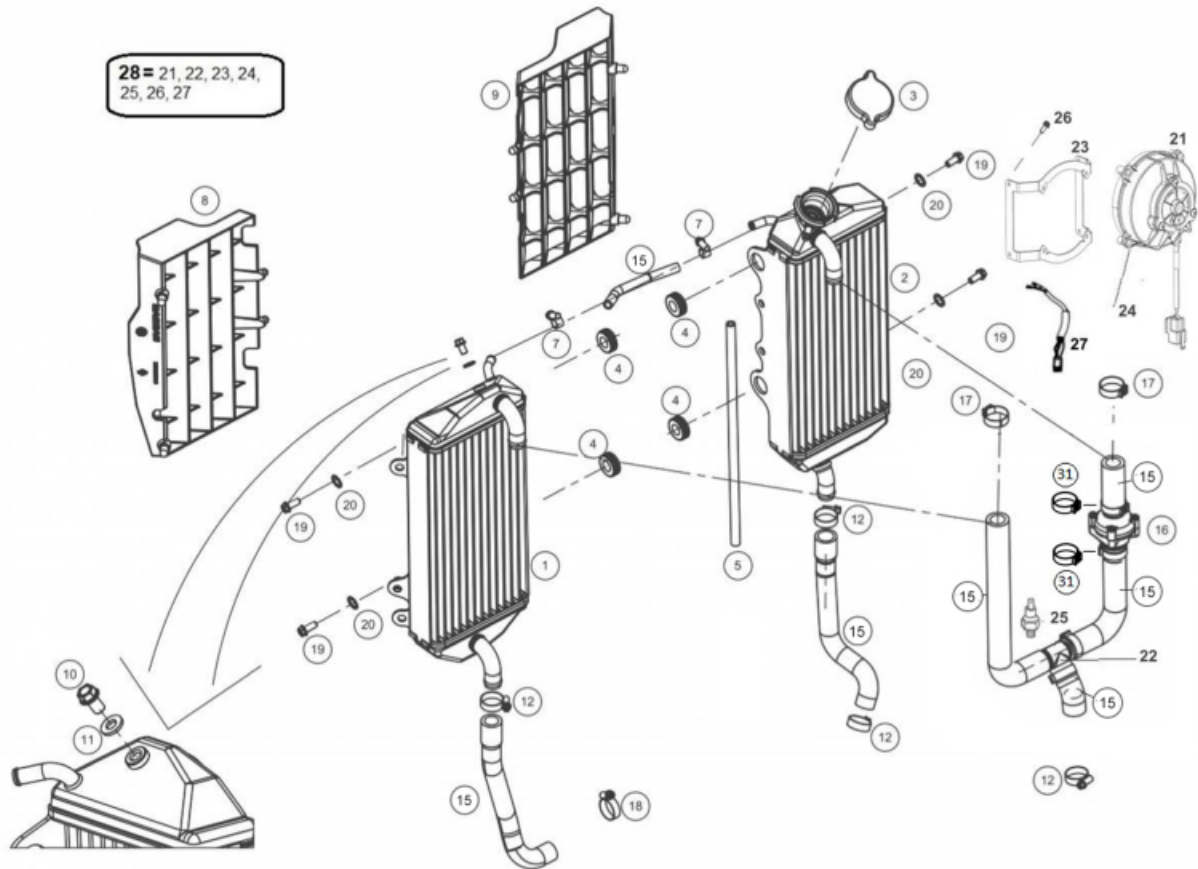
- RED STICKER SHOCKABSORBER KYB
0/000.390.9158 (u. 1)
- BLACK STICKER SHOCKABSORBER KYB
0/000.390.9159 (u. 1)

SHOCK ABSORBER



1	<ul style="list-style-type: none"> BUSH ROTULA SUP. SUSPENSION KAYABA ENDURO BE20210GG-CLJ-1 (u. 1)
2	<ul style="list-style-type: none"> O-RING BALL-JOINT SUSPENSION KAYABA ENDURO BE30025GG-CLJ-1 (u. 3)
3	<ul style="list-style-type: none"> SEAL BALL-JOINT SUPERIOR SUSPENSION KAYABA ENDURO BE23295GG-CLJ-1 (u. 3)
4	<ul style="list-style-type: none"> WASHER BALL-JOINT SUPERIOR SUSPENSION KAYABA ENDUR BE232990GG-CLJ-1 (u. 1)
5	<ul style="list-style-type: none"> BALL-JOINT SUPERIOR SUSPENSIONRECHA KAYABA ENDURO BE23250GG-CLJ-1 (u. 1)
7	<ul style="list-style-type: none"> DUST KEEPER SEAL BALL-JOINT LOWER KAYABA ENDURO BE23280GG-CLJ-1 (u. 2)
8	<ul style="list-style-type: none"> BUSH BALL-JOINT LOWER SUSPENSION KAYABA ENDURO BE23285GG-CLJ-1 (u. 1)
9	<ul style="list-style-type: none"> BRG. NOZZLE LOWER SUSPENSION KAYABA ENDURO BE36060GG-CLJ-1 (u. 1)
10	<ul style="list-style-type: none"> BUSHER LOWER SUSP. KAYABA ENDURO BE23300GG-CLJ-1 (u. 1)
13	<ul style="list-style-type: none"> SPRING SHOCK ABSORBER 46 mm 50n SUSPENSION KAYABA BE30010GG-CLJ-1 (u. 1)
	<ul style="list-style-type: none"> SPRING SHOCK ABSORBER 46 mm 54n SUSPENSION KAYABA BE30012GG-CLJ-1 (u. 1)
	<ul style="list-style-type: none"> SPRING SHOCK ABSORBER 46 mm 52n SUSPENSION KAYABA BE30011GG-CLJ-1 (u. 1)

RADIATOR

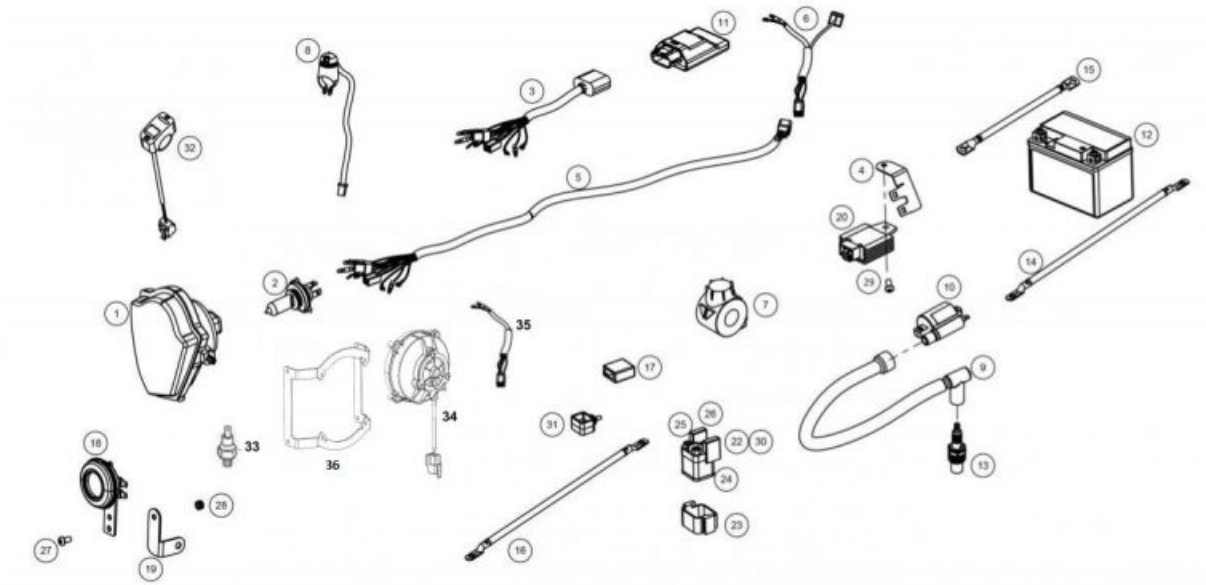


1	<ul style="list-style-type: none"> ● LEFT RADIATOR ENDURO 2018 0/000.580.9103 (u. 1)
2	<ul style="list-style-type: none"> ● RIGHT RADIATOR WITH 2 SILENBLOCK 2019 0/000.580.9102 (u. 1)
3	<ul style="list-style-type: none"> ● TAPON RADIADOR MR FLOREADO 1.8 REBAJADO 0/000.410.9112 (u. 1)
4	<ul style="list-style-type: none"> ● SILENBLOCK RADIATOR EC BIE500132031 (u. 4)
5	<ul style="list-style-type: none"> ● RADIATOR BREATHE HOSE 5X8 ù 39CM 0/000.290.9117 (u. 1)
7	<ul style="list-style-type: none"> ● COLLARTORRO SIN FIN 10-16 (10107270010) INOX FE 0/000.680.9108 (u. 2)
8	<ul style="list-style-type: none"> ● GRID RADIATOR IZQUIERDA ENDURO 2018 0/000.220.9113 (u. 1)
9	<ul style="list-style-type: none"> ● GRID RAD. RIGHT ENDURO 2018 0/000.220.9112 (u. 1)
10	<ul style="list-style-type: none"> ● SCREW SPECIAL 6X10+WASHER GEOMET 10.9 0/000.460.9133 (u. 1)
11	<ul style="list-style-type: none"> ● HEAD BOLT WASHE 6x10x1.5 0/000.440.9122 (u. 1)
12	<ul style="list-style-type: none"> ● COLLARTORRO WITHOUT FIN 16-27 (10107270027) INOX F 0/000.680.9107 (u. 4)
15	<ul style="list-style-type: none"> ● KIT COMPLETO MANGUITOS MR RACING 0/R00.290.9102 (u. 1)
16	<ul style="list-style-type: none"> ● TERMOSTATO RADIADOR 0/001.010.9103 (u. 1)
	<ul style="list-style-type: none"> ● THERMOSTAT 250 SM BE250432070 (u. 1)

OBSOLETE

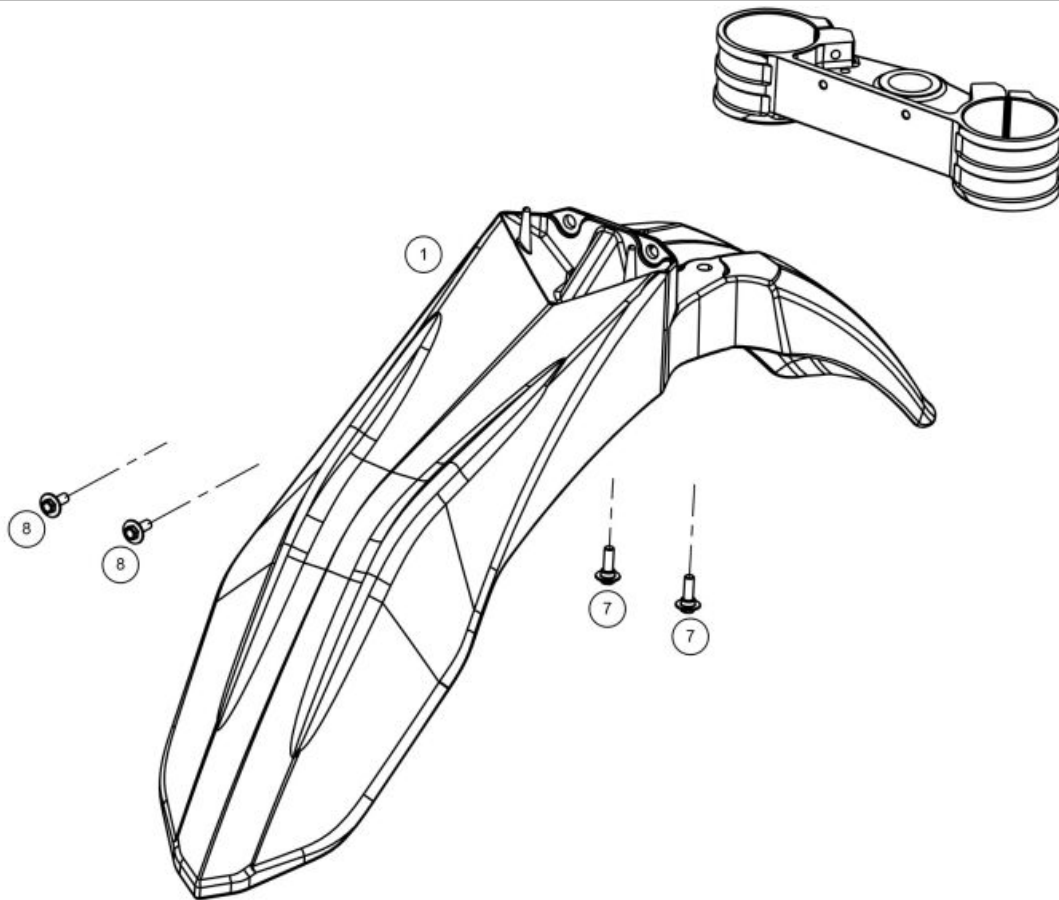
17	<ul style="list-style-type: none">● CLAMP 21 0/000.680.3009 (u. 2)
18	<ul style="list-style-type: none">● HOSE CLAMP 19mm INOX A2 0/000.680.9104 (u. 1)
19	<ul style="list-style-type: none">● HEX BOLT WASHER 6x14 (Fork Brace) DIN 6921 0/000.460.9118 (u. 4)
20	<ul style="list-style-type: none">● WASHER 6X20X2 0/000.440.9112 (u. 4)
21	<ul style="list-style-type: none">● ABRAZARERA COBRA Ø26/8 W4 0/000.680.0567 (u. 2)

ELECTRICAL PARTS



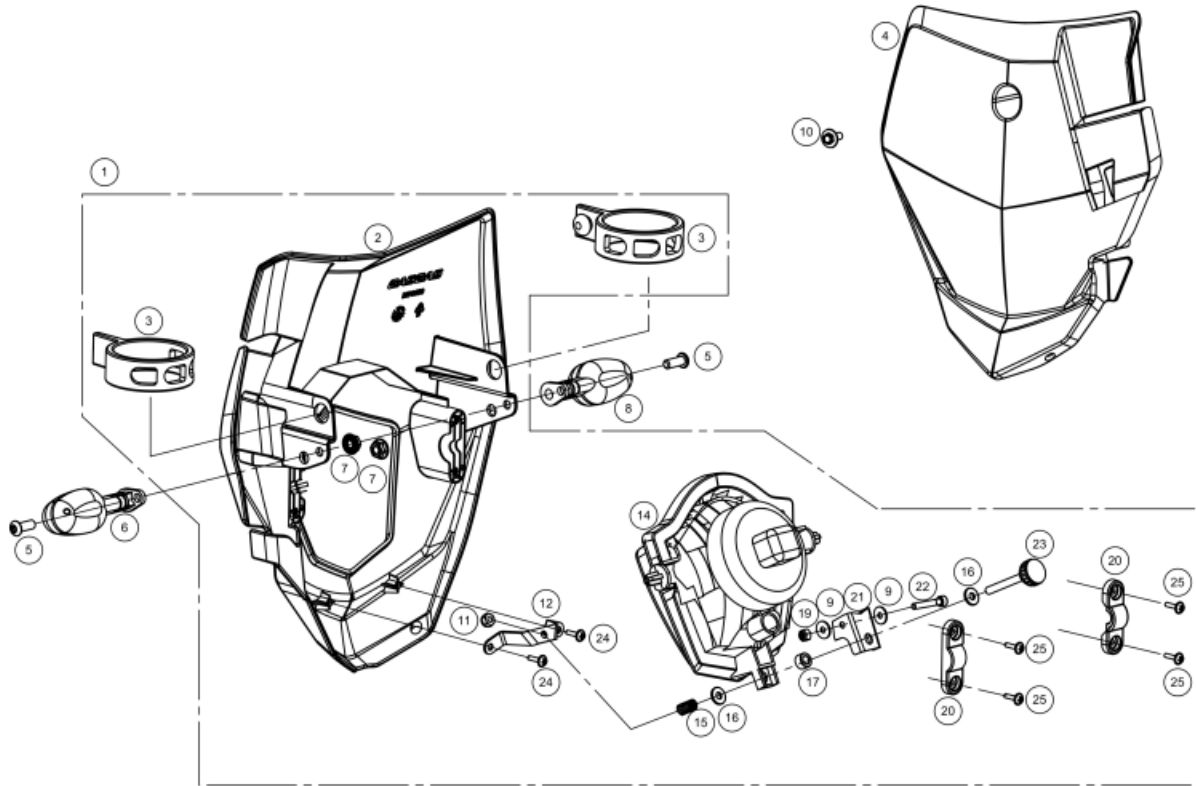
1	<ul style="list-style-type: none"> KIT LED RIEJU + SISTEMA CORTAS / LARGAS + PROTECTOR LENTE 0/000.600.9101 (u. 1) HEADLIGHT WITH BULB COMPLETE PT-107 0/000.600.0270 (u. 1) - <i>HOMOLOG</i> 	
2	<ul style="list-style-type: none"> HS1 12V3535W HALOGEN BULB L300125 (u. 1) 	
3	<ul style="list-style-type: none"> INSTALATION EC 0/000.160.9101 (u. 1) 	
4	<ul style="list-style-type: none"> BRACKET FIX .CONECTORES IGNITION ENDURO 2018 0/000.980.9110 (u. 1) 	
5	<ul style="list-style-type: none"> INST.ELECTRIC COMPONENT ELECTRIC 0/000.160.9102 (u. 1) MAIN ELECTRICAL INSTALLATION MR 0/000.160.9112 (u. 1) 	OBSOLETE
6	<ul style="list-style-type: none"> INST.LIGHT NUM-PLATE ENDURO 2018 0/000.160.9103 (u. 1) 	
7	<ul style="list-style-type: none"> STARTER SWITCH ENDURO 2018 0/000.720.9101 (u. 1) 	
8	<ul style="list-style-type: none"> PULSER PRING TRIAL 2015 0/000.720.9102 (u. 1) 	
9	<ul style="list-style-type: none"> SPARK PLUG CAP NGK 0/005.110.9100 (u. 1) 	
10	<ul style="list-style-type: none"> IGNITION COIL 0/005.070.9100 (u. 1) 	
11	<ul style="list-style-type: none"> SET CDI PROGRAMMED ENDURO GP 300 2019 EE51100CT-CSK-2 (u. 1) 	
12	<ul style="list-style-type: none"> BATERIA BS LITHIUM - BSLI-02 0/000.900.9103 (u. 1) BATTERY LITIUM 4.0 Ah, HJTZ7S-FPZ 0/000.900.9100 (u. 1) BATERIA BS LITHIUM - BSLI-02 0/000.900.9103 (u. 1) 	OBSOLETE
13	<ul style="list-style-type: none"> SPARK PLUG DENSO W24ESRU 0/005.110.9101 (u. 1) 	
14	<ul style="list-style-type: none"> CABLE POSITIVE BATTERY EC 2019 0/000.160.9105 (u. 1) 	

15	<ul style="list-style-type: none"> CAB. NEGATIVE BATTERY 0/000.160.9104 (u. 1) 	
16	<ul style="list-style-type: none"> CABLE RELE A MOTOR ARRANQUE 2019 0/000.160.9107 (u. 1) 	
17	<ul style="list-style-type: none"> MODUL DIODES SHOTKY 0/001.200.9100 (u. 1) 	
18	<ul style="list-style-type: none"> HORN CLASS II TYPE DL128J - 12V 0/000.420.5011 (u. 1) 	
19	<ul style="list-style-type: none"> BRACKET HORN ENDURO 2018 0/000.980.9107 (u. 1) 	
20	<ul style="list-style-type: none"> REGULATOR 0/005.070.9101 (u. 1) 	
22	<ul style="list-style-type: none"> RELE ARRANQUE (RC19-005^a)STARTER RELA 00020 A7343-888-00-000 0/001.200.9103 (u. 1) 	
	<ul style="list-style-type: none"> STARTING RELAY 0/001.200.9101 (u. 1) 	OBSOLETE
	<ul style="list-style-type: none"> STARTING RELAY 0/001.200.9101 (u. 1) 	OBSOLETE
23	<ul style="list-style-type: none"> RUBBER BRACKET RELE STARTER FIJ.VERTICAL EE85205GG-CAK-1 (u. 1) 	
24	<ul style="list-style-type: none"> FUSE PROTECTION CAP (B4694-730-00-001) EE851052511 (u. 2) 	
25	<ul style="list-style-type: none"> WASHER Ø6 0/000.440.0240 (u. 2) 	
	<ul style="list-style-type: none"> ARANDELA EN ABANICO DIN 6798 ZINC 0/000.440.9127 (u. 2) 	OBSOLETE
26	<ul style="list-style-type: none"> SCREW SPECIAL 6X10+WASHER GEOMET 10.9 0/000.460.9133 (u. 2) 	
27	<ul style="list-style-type: none"> BOLT WITH WASHER AND FIXING ESP 6X12 ISO 7380-2 IN 0/000.460.9108 (u. 1) 	
28	<ul style="list-style-type: none"> NUT 6MM 0/000.340.9120 (u. 1) 	
29	<ul style="list-style-type: none"> HEX BOLT WASHER 6x14 (Fork Brace) DIN 6921 0/000.460.9118 (u. 1) 	
30	<ul style="list-style-type: none"> FUS. UNI. 20A 0/000.910.9100 (u. 2) 	
31	<ul style="list-style-type: none"> DIODES MODULE RUBBER SUPPORT 0/000.360.9111 (u. 1) 	
32	<ul style="list-style-type: none"> SWITCH DOBBLE MAP 0/000.720.9100 (u. 1) 	
33	<ul style="list-style-type: none"> TEMPERATURE SENSOR 0/001.010.9102 (u. 1) 	
34	<ul style="list-style-type: none"> ELECTRIC FAN 0/005.060.9100 (u. 1) 	
35	<ul style="list-style-type: none"> ELECTRICAL FAN 0/000.160.9111 (u. 1) 	
36	<ul style="list-style-type: none"> FAN SUPPORT 0/000.980.9124 (u. 1) 	

FRONT FENDER

- | | |
|---|---|
| 1 | ● FRONT FENDER EC 2018 NO STIKER
0/000.050.9101 (u. 1) |
| 7 | ● BOLT ESP. 6X16 DRACOMET
0/000.460.9100 (u. 2) |
| 8 | ● SCREW ESP. 6x7 DRACOMET
0/000.460.9161 (u. 2) |

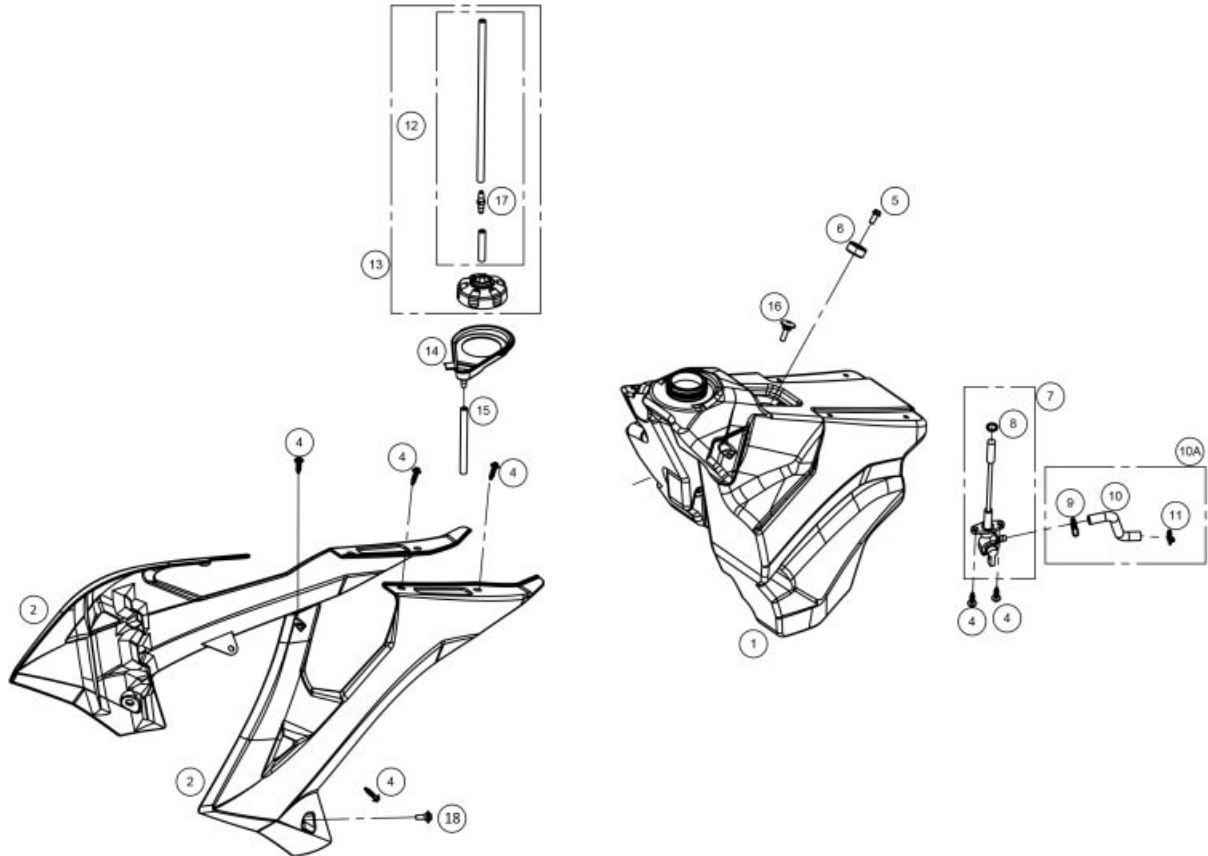
FRONT LIGHT



- | | |
|----|--|
| 1 | <ul style="list-style-type: none"> LIGHTHOUSE COMPLETE KIT MR 0/K00.620.9100 (u. 1) |
| 3 | <ul style="list-style-type: none"> HEADLAMP RUBBER HOLDER 0/000.360.9102 (u. 2) |
| 4 | <ul style="list-style-type: none"> FRONT NUMBER-PLATE CROSS COUNTRY 2018 WHITE 0/000.570.9113 (u. 1) |
| 5 | <ul style="list-style-type: none"> 6X16 ULS SCREW ISO 7380-1 NEGRO 12.9 0/000.460.9156 (u. 2) |
| 6 | <ul style="list-style-type: none"> LEFT FRONT INDICATOR 0/000.150.9101 (u. 1) |
| 7 | <ul style="list-style-type: none"> NUT WASHER 6mm DIN 6923 ZINC 8 0/000.340.9116 (u. 2) |
| 8 | <ul style="list-style-type: none"> RIGHT FRONT INDICATOR 0/000.150.9100 (u. 1) |
| 9 | <ul style="list-style-type: none"> 4X12X1 WASHER PLANE ZN AG CR3 0/000.440.9119 (u. 2) |
| 10 | <ul style="list-style-type: none"> SCREW ESP.6x7 DRACOMET 0/000.460.9161 (u. 1) |
| 11 | <ul style="list-style-type: none"> SELFLOCKING NUT M5 DIN-985 ZINC 8 0/000.340.9112 (u. 1) |
| 12 | <ul style="list-style-type: none"> HEAD LIGHT REGULATION SHEET 0/000.980.9103 (u. 1) |
| 13 | <ul style="list-style-type: none"> VISS PALSTIC 4x10 ZN BLUE 0/000.460.9159 (u. 2) |
| 14 | <ul style="list-style-type: none"> HEADLIGHT WITH BULB COMPLETE PT-107 0/000.600.0270 (u. 1) |
| 15 | <ul style="list-style-type: none"> SCREW REG LAMP SPRING 0/000.470.9107 (u. 1) |

16	<ul style="list-style-type: none"> ● WASHER 5x12x1.5 DIN 125A ZINC 0/000.440.9121 (u. 2) 	
17	<ul style="list-style-type: none"> ● ALUMINIUM BUSHING 55X10X6 0/000.480.9128 (u. 1) 	
19	<ul style="list-style-type: none"> ● NUT LOCKNUT. M4 DIN 985 ZINC 8 0/000.340.9111 (u. 1) 	
20	<ul style="list-style-type: none"> ● FRONT SUPPORT HEADLAMP 0/000.980.9104 (u. 2) 	OBSOLETE
	<ul style="list-style-type: none"> ● SOPORTE PORTAFARO MR NEGRO INY. 0/000.980.9127 (u. 2) - <i>HOMOLOG</i> 	
21	<ul style="list-style-type: none"> ● 2012 EC HEAD LIGHT REINFORCEMENT REED 0/000.980.9106 (u. 1) 	
22	<ul style="list-style-type: none"> ● ALLEN BOLT, 4X25 DIN 912 ZINC 0/000.460.9144 (u. 1) 	
23	<ul style="list-style-type: none"> ● REGULATOR BOLT HEADLIGHT ELESA 0/000.460.9106 (u. 1) 	
24	<ul style="list-style-type: none"> ● VISS PALSTIC 4x10 ZN BLUE 0/000.460.9159 (u. 2) 	
25	<ul style="list-style-type: none"> ● SPECIAL PLASTIC BOLT 4X12 CELO RF87T VERZINKT 0/000.460.9160 (u. 4) 	

TANK



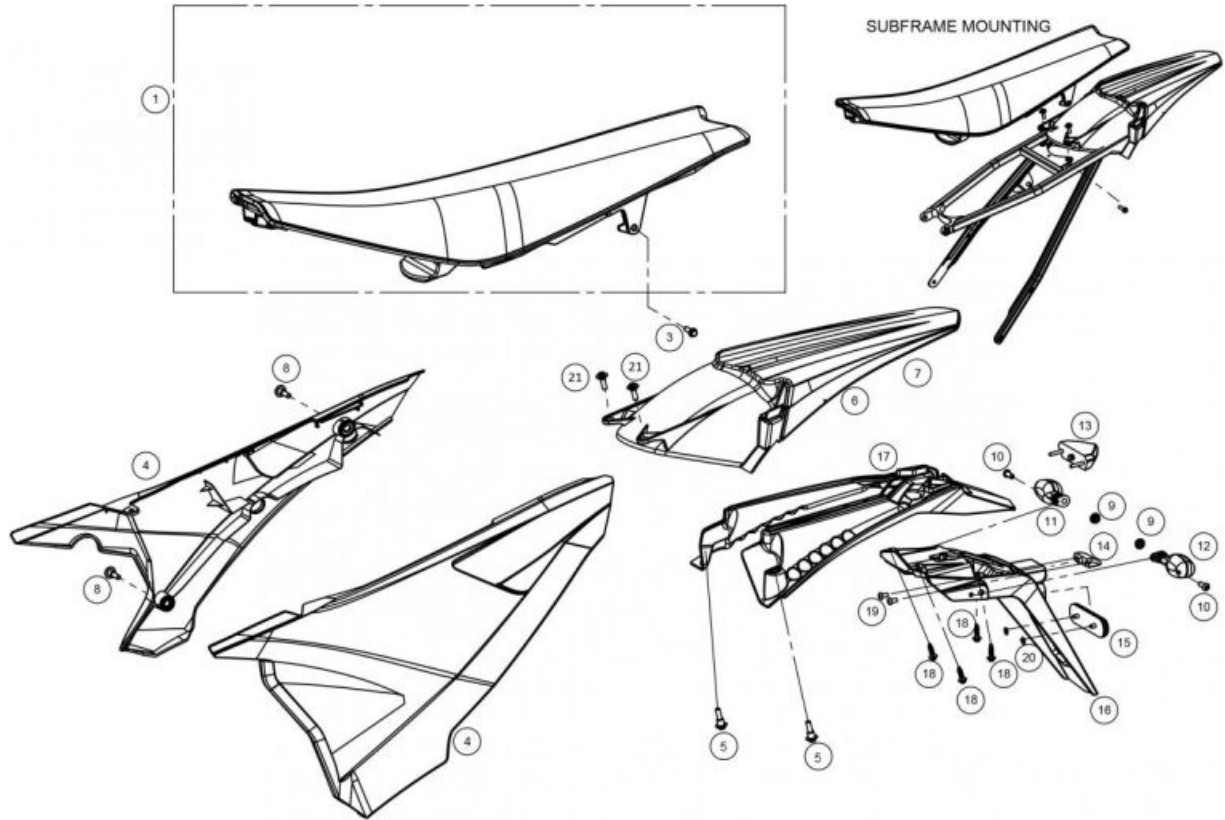
- | | |
|-----|---|
| 1 | <ul style="list-style-type: none"> TANK COMBUSTIBLE EUROPA (XPE) ENDURO 2018
0/000.030.9100 (u. 1) |
| 2 | <ul style="list-style-type: none"> SET FRONT COVER BLACK MR
0/K00.570.9102 (u. 1) |
| | <ul style="list-style-type: none"> BOLT TANK-SEAT 6x23 (EJOT ref. 05100519)
T0806023 (u. 10) |
| 4 | <ul style="list-style-type: none"> TORN. ESP. ROSCA PLASTICO Hex.6 C/Arandela 6x20
0/000.460.9178 (u. 10) TORNILLO DEPOSITO - SILLIN Ø6x23
0/000.460.9177 (u. 10) TORNILLO ESPECIAL ROSCA PLASTICO CABOTA HEXAGONAL
T0806020 (u. 10) |
| 5 | <ul style="list-style-type: none"> HEX BOLT WASHER 6x14 (Fork Brace) DIN 6921
0/000.460.9118 (u. 1) |
| 6 | <ul style="list-style-type: none"> SILENTBLOCK+WASHER TANK GASOLIN
0/000.360.9105 (u. 1) |
| 7 | <ul style="list-style-type: none"> COCK GASOLINE ENDURO 2018
0/000.370.9100 (u. 1) |
| 8 | <ul style="list-style-type: none"> 10X25 FUEL TAP O/RING
B740120 (u. 1) |
| 9 | <ul style="list-style-type: none"> SPRING CLAMP M-11.6-12.3 ZINC CR3
0/000.680.9102 (u. 1) |
| 10A | <ul style="list-style-type: none"> TUBE GASOLINE ENDURO 2018
0/000.290.9108 (u. 1) |
| 10 | <ul style="list-style-type: none"> TUBE GASOLINE ENDURO 2018 HOMOLOGATION
0/000.290.9109 (u. 1) |
| 11 | <ul style="list-style-type: none"> SPRING COLLAR M-12X1.5 ACERO ZN
0/000.680.9103 (u. 1) |

OBSOLETE

12	<ul style="list-style-type: none"> FUEL TANK VENT HOSE 26cm 0/000.290.9115 (u. 1)
13	<ul style="list-style-type: none"> SET CAP GASOLINE +TUBE EC 2014 BE76010CT-CAB-1 (u. 1)
14	<ul style="list-style-type: none"> REBOSA TANK GASOL. 0/000.570.9102 (u. 1)
15	<ul style="list-style-type: none"> TUBE REBOSAOF RO TANK GASOLINE ENDURO 0/000.290.9107 (u. 1)
16	<ul style="list-style-type: none"> BOLT TANK-SEAT 6x23 (EJOT ref. 05100519) T0806023 (u. 1)
	<ul style="list-style-type: none"> TORN. ESP. ROSCA PLASTICO Hex.6 C/Arandela 6x20 0/000.460.9178 (u. 1)
	<ul style="list-style-type: none"> TORNILLO DEPOSITO - SILLIN Ø6x23 0/000.460.9177 (u. 1)
	<ul style="list-style-type: none"> TORNILLO ESPECIAL ROSCA PLASTICO CABOTA HEXAGONAL T0806020 (u. 1)
17	<ul style="list-style-type: none"> Fuel Tank Check Valve BT27836025 (u. 1)
18	<ul style="list-style-type: none"> BOLT 6X12 0/000.460.9101 (u. 2)

OBSOLETE

REAR FAIRING

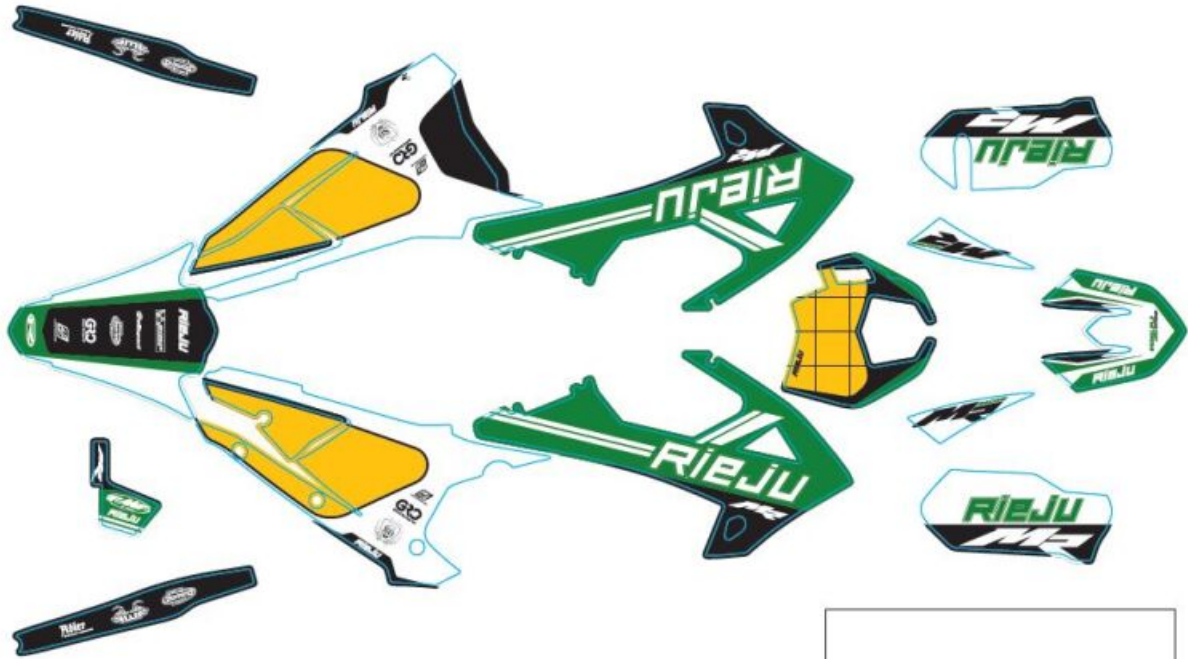


- | | |
|----|--|
| 1 | <ul style="list-style-type: none"> ● SEAT EC 2018
0/000.040.9100 (u. 1) ● FUNDA SILLIN ENDURO 2018
0/000.040.9107 (u. 1) |
| 3 | <ul style="list-style-type: none"> ● SPECIAL BOLT 6x25 DIN 6921 GEOMET 10.9
0/000.460.9121 (u. 1) |
| 4 | <ul style="list-style-type: none"> ● SET REAR COVER WHITE MR
0/K00.570.9101 (u. 1) |
| 5 | <ul style="list-style-type: none"> ● TORN.ESP. DIN 6921 Hex.8 TX30 C/Centrador 8,70 M6x16 Cal.10.9 GEOMET
0/000.460.9202 (u. 2) ● BIS 6X16
0/000.460.9163 (u. 2) |
| 6 | <ul style="list-style-type: none"> ● SET REAR FENDER EC 2018 WHITE.
0/000.060.9100 (u. 1) |
| 8 | <ul style="list-style-type: none"> ● BOLT ESP. 6X16 DRACOMET
0/000.460.9100 (u. 2) |
| 9 | <ul style="list-style-type: none"> ● NUT WASHER 6mm DIN 6923 ZINC 8
0/000.340.9116 (u. 2) |
| 10 | <ul style="list-style-type: none"> ● 6X16 ULS SCREW ISO 7380-1 NEGRO 12.9
0/000.460.9156 (u. 2) |
| 11 | <ul style="list-style-type: none"> ● RIGHT REAR INDICATOR
0/000.150.9102 (u. 1) |
| 12 | <ul style="list-style-type: none"> ● LEFT REAR INDICATOR
0/000.150.9103 (u. 1) |

13	<ul style="list-style-type: none"> ● LUZ PILOTO TRASERO LED V.2 0/000.150.9106 (u. 1) 	
	<ul style="list-style-type: none"> ● LUZ PILOTO TRASERO LED V.2 0/000.150.9106 (u. 1) 	
	<ul style="list-style-type: none"> ● LUZ PILOTO TRASERO LED V.2 0/000.150.9106 (u. 1) 	
	<ul style="list-style-type: none"> ● LIGHT TAIL LIGHT REAR LED 0/000.150.9105 (u. 1) 	OBSOLETE
14	<ul style="list-style-type: none"> ● LIGHT NUM-PLATE (HD008000) 0/000.150.9104 (u. 1) 	
15	<ul style="list-style-type: none"> ● CATADIOPTIC 700R ENDURO 2007 0/000.630.9103 (u. 1) 	
16	<ul style="list-style-type: none"> ● REGIST PLATE HOLOF R HOMOLOGATION 0/000.060.9102 (u. 1) 	OBSOLETE
	<ul style="list-style-type: none"> ● PORTA MATRICULAS HOMOLOGADO MRT 2021 0/000.060.5302 (u. 1) 	
17	<ul style="list-style-type: none"> ● REGIST PLATE HOLOF R SHORT EC 2018 0/000.060.9101 (u. 1) 	
18	<ul style="list-style-type: none"> ● TORN. ESP. ROSCA PLASTICO Hex.6 C/Arandela 6x20 0/000.460.9178 (u. 4) 	
	<ul style="list-style-type: none"> ● TORNILLO ESPECIAL ROSCA PLASTICO CABOTA HEXAGONAL T0806020 (u. 4) 	OBSOLETE
	<ul style="list-style-type: none"> ● TORNILLO DEPOSITO - SILLIN Ø6x23 0/000.460.9177 (u. 4) 	
	<ul style="list-style-type: none"> ● BOLT TANK-SEAT 6x23 (EJOT ref. 05100519) T0806023 (u. 4) 	
19	<ul style="list-style-type: none"> ● ULS TORX WITH ARAND.4X08 ISO 7380-2 INOX A2 0/000.460.9158 (u. 2) 	
20	<ul style="list-style-type: none"> ● STAPLE 02110396 SRRM-5 0/000.440.9102 (u. 2) 	
21	<ul style="list-style-type: none"> ● BOLT 6X12 0/000.460.9101 (u. 2) 	

STICKERS

0/000.390.9135 JUEGO CALCAS MR EDICION LIMITADA 80

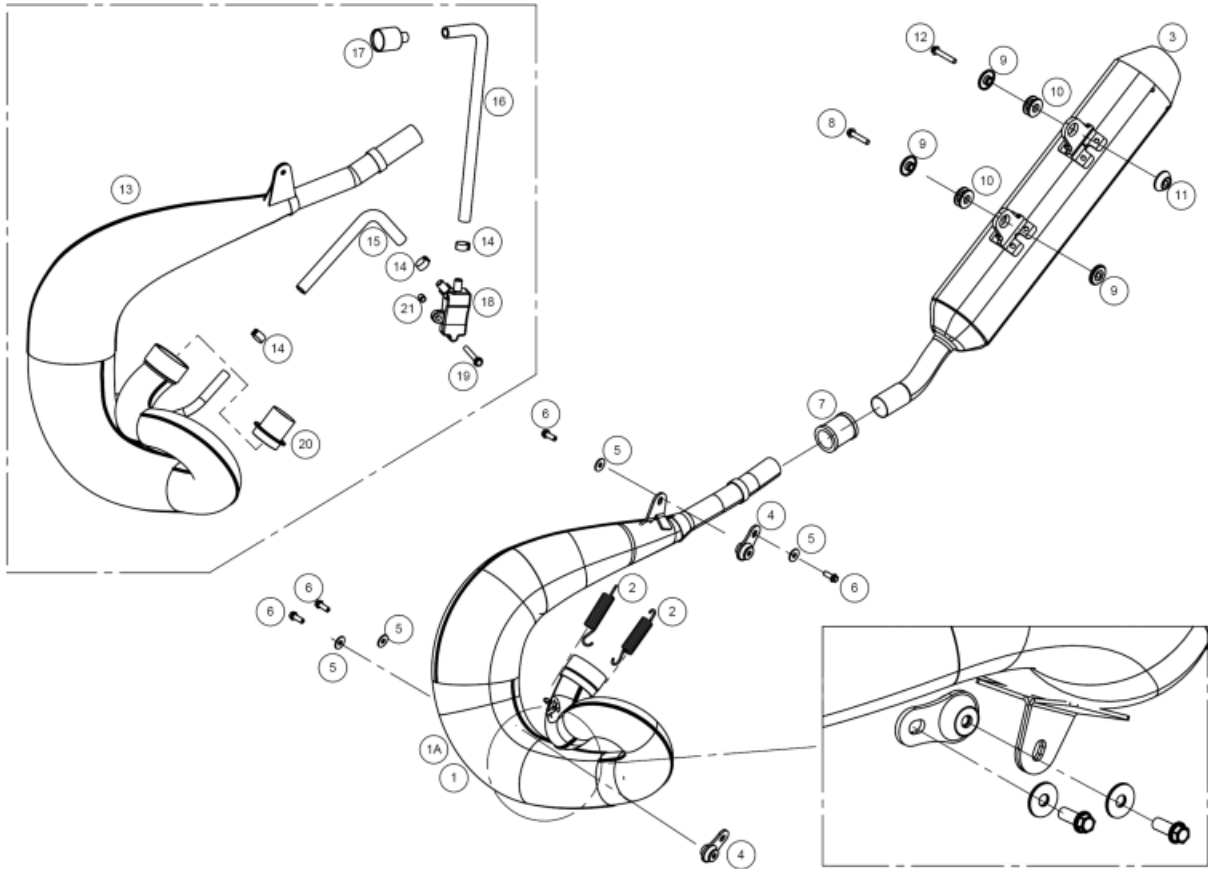


- CALCA NUMERADA EDICION 80 ANIVERSARIO MR
0/000.390.9140 (u. 1)
- JUEGO DE CALCAS MR EDICIÓN LIMITADA 80
0/000.390.9135 (u. 1)

OBSOLETE

1

EXHAUST SYSTEM

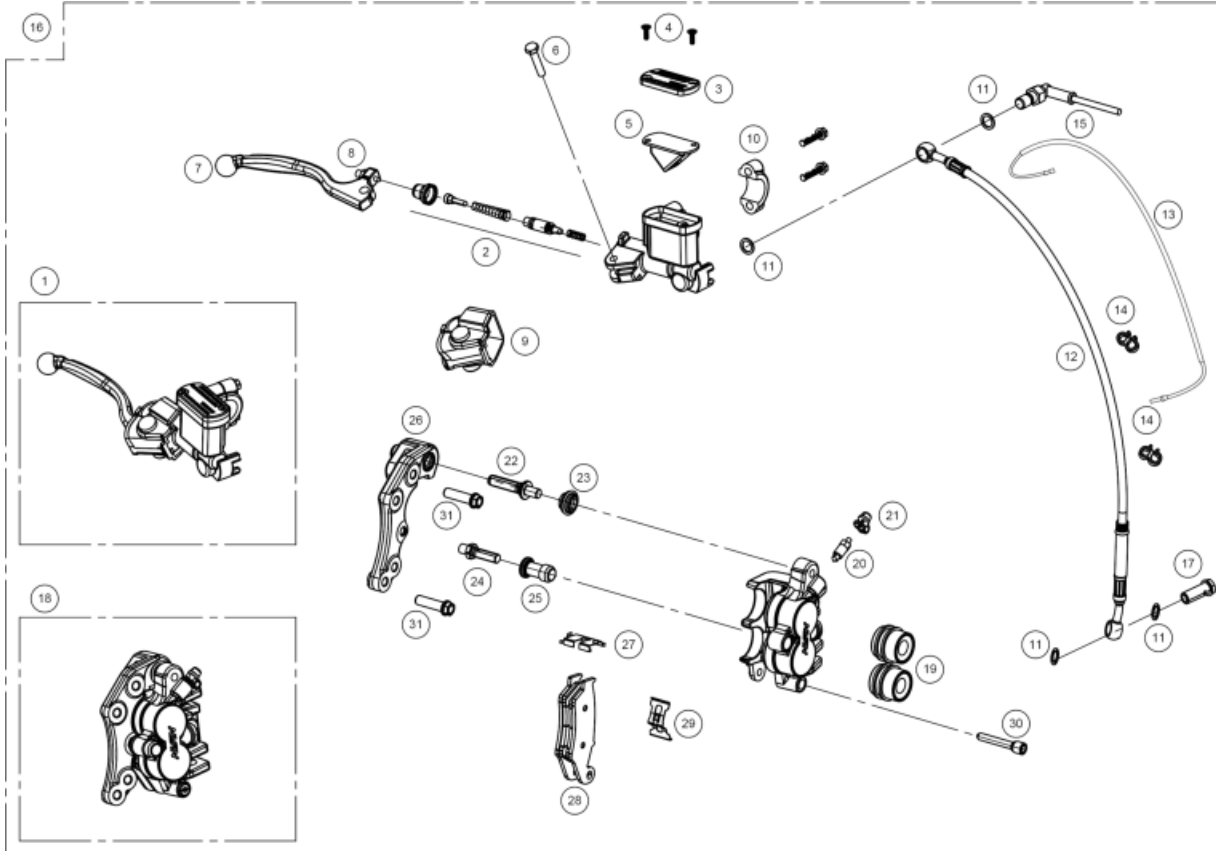


1	<ul style="list-style-type: none"> ● ESCAPE FMF MR 300 0/000.290.9127 (u. 1)
2	<ul style="list-style-type: none"> ● SPRING EXHAUST EC 0/000.470.9106 (u. 2)
3	<ul style="list-style-type: none"> ● MUFFLER MR 2022 0/000.870.9104 (u. 1) ● FIBER FOR SILENT MR 2022 0/000.870.9105 (u. 1)
4	<ul style="list-style-type: none"> ● SILENBLOCK EXHAUST ENDURO 0/000.360.9107 (u. 2)
5	<ul style="list-style-type: none"> ● WASHER 6x18x1.5 ZINC 0/000.440.9126 (u. 4)
6	<ul style="list-style-type: none"> ● 6x16 HEX HEAD WASHER DIN 6921 ZINC.10.9 0/000.460.9119 (u. 4)
7	<ul style="list-style-type: none"> ● EXHAUST RUBBER GASKET 0/000.490.9103 (u. 1)
8	<ul style="list-style-type: none"> ● TORN.ESP. DIN 6921 Hex.8 TX30 M6x30 Fil.20 Cal.10.9 GEOMET 0/000.460.9183 (u. 1) ● ALLEN BOLT 6x30 DIN 6921 GEOMET 0/000.460.9123 (u. 1)
9	<ul style="list-style-type: none"> ● BUSH SILENCER SHORT EC 2018 0/000.480.9115 (u. 3)
10	<ul style="list-style-type: none"> ● SILENBLOCK MUFFLER EC 2018 0/000.360.9108 (u. 2)
11	<ul style="list-style-type: none"> ● BUSH SILENCER LONG ENDURO 2018 0/000.480.9114 (u. 1)
12	<ul style="list-style-type: none"> ● SPECIAL BOLT 6X35 DIN 6921 GEOMET 0/000.460.9124 (u. 1)

OBSELETE

13	<ul style="list-style-type: none">ESCAPE FMF MR 300 0/000.290.9127 (u. 1)
14	<ul style="list-style-type: none">CLAMP D.15/8 W4 INOX A2 0/000.680.9106 (u. 3)
15	<ul style="list-style-type: none">SLEEVE 2 VALVE AIS 0/000.640.5024 (u. 1)
16	<ul style="list-style-type: none">TUBE MAIN RIGHT LEG 0/000.640.5023 (u. 1)
17	<ul style="list-style-type: none">VALV FILTER 0/227.013.0003 (u. 1)
18	<ul style="list-style-type: none">AIS VALVE IN/OUT BI-DIRECTIONAL 0/000.640.0002 (u. 1)
19	<ul style="list-style-type: none">HEAD SCREW 6x60 DELTA PROTEK 10.9 0/000.460.9128 (u. 1)
20	<ul style="list-style-type: none">CATALIZER EC250-2002 0/001.600.9100 (u. 1)
21	<ul style="list-style-type: none">LOAD LIMITER BUSH 0/000.980.9112 (u. 1)

FRONT BRAKE



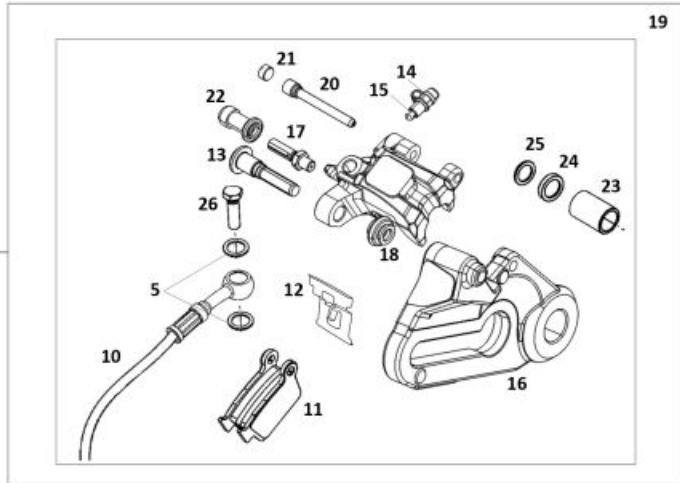
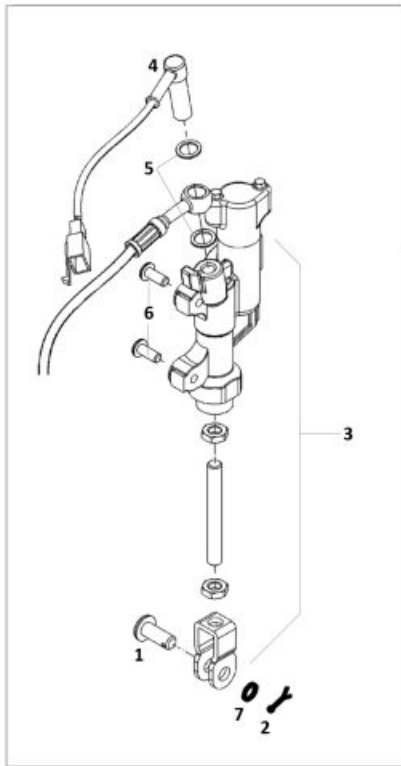
BOMBA FRENO DEL.NISSIN=BC25922008
BC25922008/2 (u. 1)

OBSOLETE

- 1 FRONT BRAKE PUMP
0/000.820.9106 (u. 1)
- 2 δAδ BRAKE PUMP PISTON KIT
BC25922219 (u. 1)
- 3 BRAKE PUMP COVER
BC25922210 (u. 1)
- 4 BRAKE PUMP SCREW
BC25922217 (u. 2)
- 5 NOFOAM RUBBER
BC25922216 (u. 1)
- 6 SPECIAL SCREW
BC25922212 (u. 1)
- 7 FRONT BRAKE LEVER RACING
BC250022045R (u. 1)
- 8 PUMP LEVER TENSOR
BC25922218 (u. 1)
- 9 DUST COVER
BC25922213 (u. 1)
- 10 BIG CLAMP
BC25922211 (u. 1)
- 11 HOSE WASHER 10X4X1
BE25622007 (u. 4)
- 12 FRONT BRAKE HOSE
BE250422002 (u. 1)
- 13 TT MULTIFUNCTION HOSE
0/001.010.9100 (u. 1)

14	<ul style="list-style-type: none"> SPEEDO CABLE HOLDER CLIP 2008 0/000.630.9104 (u. 2)
15	<ul style="list-style-type: none"> SWITCH STOP 0/000.720.9104 (u. 1)
16	<ul style="list-style-type: none"> FRONT BRAKE SET 0/000.820.9107 (u. 1)
17	<ul style="list-style-type: none"> HOSE HOLDER RACORD 10X125 BC25722006 (u. 1)
18	<ul style="list-style-type: none"> FRONT BRAKE CALIPER 0/000.860.9101 (u. 1)
19	<ul style="list-style-type: none"> FRONT BRAKE CALIPER PISTON BE620422508 (u. 1)
20	<ul style="list-style-type: none"> BLEEDER SET BE620602508 (u. 1)
21	<ul style="list-style-type: none"> BLEEDER CAP BE250022055 (u. 1)
22	<ul style="list-style-type: none"> GUIDE SCREW BE250022092 (u. 1)
23	<ul style="list-style-type: none"> FRONT BRAKE CALIPER BLEEDER BE620682508 (u. 1)
24	<ul style="list-style-type: none"> FRONT BRAKE CALIPER BOLT BE250022034 (u. 1)
25	<ul style="list-style-type: none"> SUPPORT WITH MAGNET SET BE620692508 (u. 1)
26	<ul style="list-style-type: none"> FRONT CALIPER SUPPORT BE620102508 (u. 1)
27	<ul style="list-style-type: none"> FRONT BRAKE PADS HOLDER BRACKET (B) BE620122508 (u. 1)
28	<ul style="list-style-type: none"> FRONT BRAKE PADS BE620652508 (u. 1)
29	<ul style="list-style-type: none"> FRONT BRAKE PADS HOLDER BRACKET (A) BE620112508 (u. 1)
30	<ul style="list-style-type: none"> FRONT BRAKE PADS PIN BE250022041 (u. 1)
31	<ul style="list-style-type: none"> SCREW SPECIAL 8X30 GEOMET 10.9 0/000.460.9138 (u. 2)

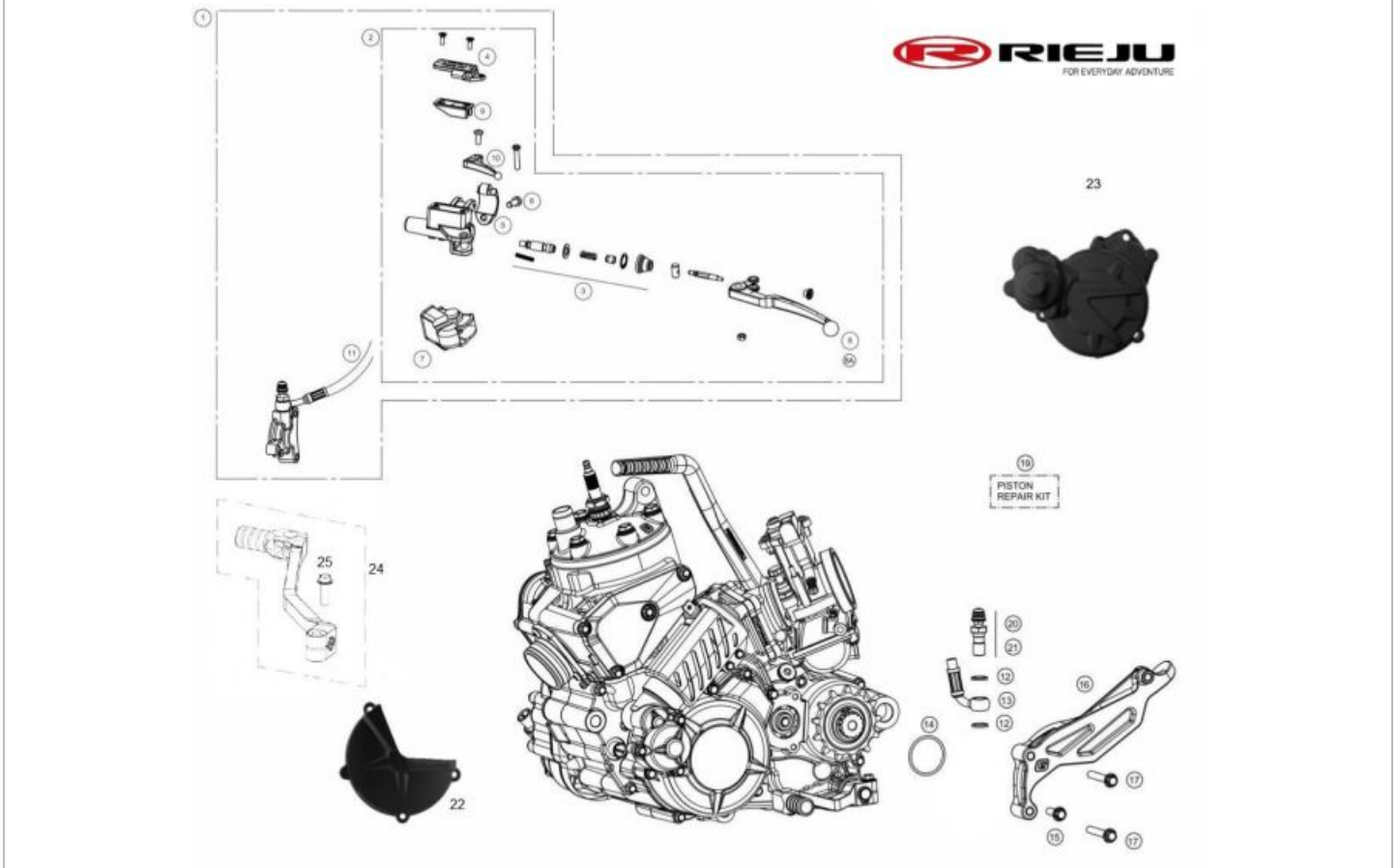
REAR BRAKE



1	<ul style="list-style-type: none"> BRAKE PEDAL PIN 8X20 0/000.840.9101 (u. 1)
2	<ul style="list-style-type: none"> 2X20 BRAKE PEDAL PIN STOPPER 0/000.840.9102 (u. 1)
3	<ul style="list-style-type: none"> SET. PUMP BRAKE REAR EC 2018 0/000.820.9105 (u. 1)
4	<ul style="list-style-type: none"> SWITCH STOP 0/000.720.9104 (u. 1)
5	<ul style="list-style-type: none"> HOSE WASHER 10X4X1 BE25622007 (u. 4)
6	<ul style="list-style-type: none"> 6x16 HEX HEAD WASHER DIN 6921 ZINC.10.9 0/000.460.9119 (u. 2)
7	<ul style="list-style-type: none"> WASHER 8X16X1 0/000.440.0302 (u. 1)
8	<ul style="list-style-type: none"> SHORT UNEX CLAMP 2.5x98 0/000.660.9106 (u. 3) BRIDA 2,5x100 T18ROS-PA66HS-BK 0/000.680.0081 (u. 3)
9	<ul style="list-style-type: none"> SET BRAKE REAR EC-2018 0/000.820.9104 (u. 1)
10	<ul style="list-style-type: none"> NISSIN REAR BRAKE HOSE BE661002509 (u. 1)
11	<ul style="list-style-type: none"> NISSIN REAR BRAKE PADS BE675002509 (u. 1)
12	<ul style="list-style-type: none"> REAR BRAKE PADS HOLDER BRACKET (B) BE250022091 (u. 1)
13	<ul style="list-style-type: none"> CALIPER HOLDER SCREW BE250022096 (u. 1)
14	<ul style="list-style-type: none"> BLEEDER CAP BE250022055 (u. 1)

15	● BLEEDER BE250022060 (u. 1)
16	● REAR CALIPER SUPPORT BE671002509 (u. 1)
17	● FRONT BRAKE CALIPER BOLT BE250022034 (u. 1)
18	● FRONT BRAKE CALIPER BLEEDER BE620682508 (u. 1)
19	● REAR BRAKE SET 0/000.860.9102 (u. 1)
20	● BRAKE PADS PIN BE250022094 (u. 1)
21	● NISSIN PROTECTOR PIN BE250022095 (u. 1)
22	● SUPPORT WITH MAGNET SET BE620692508 (u. 1)
23	● REAR BRAKE CALIPER PISTON BE675602509 (u. 1)
24	● REAR BRAKE CALIPER PISTON OÆRING BE675502509 (u. 1)
25	● SEAL REAR BRAKE BE675552509 (u. 1)
26	● HOSE HOLDER RACORD 10X125 BC25722006 (u. 1)

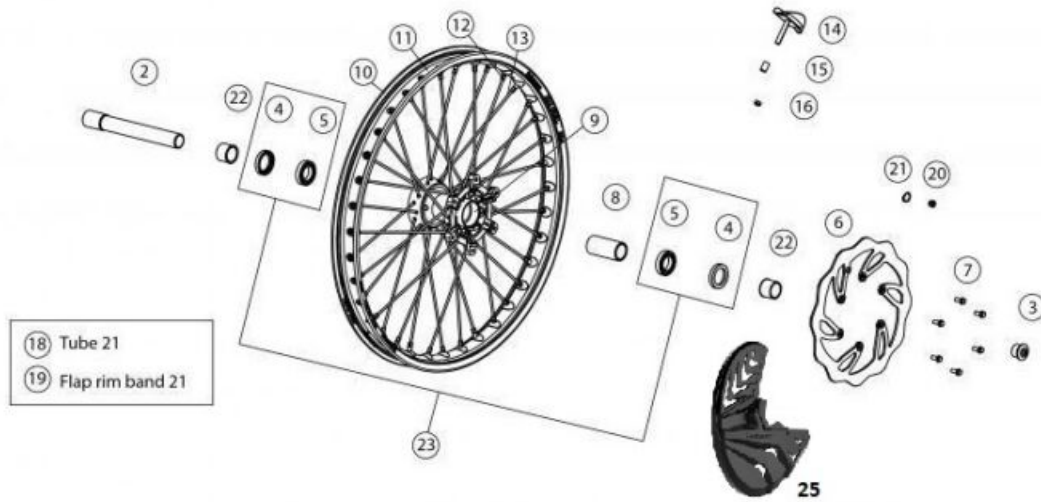
CLUTCH CONTROL



1	<ul style="list-style-type: none"> COMPLETE MAGURA CLUTCH PUMP, 9.5 (167) 0/000.830.9101 (u. 1) 	
2	<ul style="list-style-type: none"> CLUTCH PUMP MAGURA 9,5 (167) 0020747 BE45000013011 (u. 1) 	OBSOLETE
3	<ul style="list-style-type: none"> PISTON KIT, 9.5mm (0723184) BE45000043011 (u. 1) 	
4	<ul style="list-style-type: none"> TAPA BOMBA EMBRAGUE NEGRA 167.2 0/000.350.9119 (u. 1) COVER OIL MINERAL (0723164) BE45000053011 (u. 1) 	
5	<ul style="list-style-type: none"> CLAMP, HOLDER BE45000063011 (u. 1) 	
6	<ul style="list-style-type: none"> BOLT 6x20 DIN 6921 GEOMET 10.9 0/000.460.9120 (u. 1) TORN.ESP. DIN 6921 Hex.8 TX30 M6x20 Cal.10.9 GEOMET 0/000.460.9181 (u. 1) TORN.ESP. DIN 6921 Hex.8 TX30 M6x20 Cal.10.9 GEOMET 0/000.460.9181 (u. 1) 	OBSOLETE
7	<ul style="list-style-type: none"> DUST SHIELD BE45000093011 (u. 1) 	
8A	<ul style="list-style-type: none"> LONG CLUTCH LEVER BE45000033011 (u. 1) 	
8	<ul style="list-style-type: none"> LEVER CORTA CLUTCH(0723121) BE45000023011 (u. 1) 	
9	<ul style="list-style-type: none"> MEMBRANAPÁSITO (0723162) BE45000103011 (u. 1) TAPA BOMBA EMBRAGUE NEGRA 167.2 0/000.350.9119 (u. 1) 	OBSOLETE

10	<ul style="list-style-type: none"> • CHOKE LEVER BE45000073011 (u. 1) 	
11	<ul style="list-style-type: none"> • CLUTCH HOSE BE250522003 (u. 1) 	
12	<ul style="list-style-type: none"> • HOSE WASHER 10X4X1 BE25622007 (u. 2) 	
13	<ul style="list-style-type: none"> • CLUTCH HOSE BE250522003 (u. 1) 	
14	<ul style="list-style-type: none"> • CLUTCH PUMP OÆRING ME25632024 (u. 1) 	
15	<ul style="list-style-type: none"> • TORN.ESP. DIN 6921 Hex.8 TX30 M6x20 Cal.10.9 GEOMET 0/000.460.9181 (u. 1) 	
	<ul style="list-style-type: none"> • BOLT 6x20 DIN 6921 GEOMET 10.9 0/000.460.9120 (u. 1) 	OBSOLETE
	<ul style="list-style-type: none"> • TORN.ESP. DIN 6921 Hex.8 TX30 M6x20 Cal.10.9 GEOMET 0/000.460.9181 (u. 1) 	
16	<ul style="list-style-type: none"> • CHAIN SLIDER KIT 3 COMP. BE43015CT-CLJ-1 (u. 1) 	
17	<ul style="list-style-type: none"> • HEAD SCREW 6x50 DIN 6921 GEOMET 10.9 0/000.460.9126 (u. 2) 	OBSOLETE
	<ul style="list-style-type: none"> • TORN.ESP. DIN 6921 Hex.8 TX30 M6x50 Fil.20 Cal.10.9 GEOMET 0/000.460.9186 (u. 2) 	
	<ul style="list-style-type: none"> • TORN.ESP. DIN 6921 Hex.8 TX30 M6x50 Fil.20 Cal.10.9 GEOMET 0/000.460.9186 (u. 2) 	
18	<ul style="list-style-type: none"> • BOMBIN EMBRAGUE ME250632026 (u. 1) 	OBSOLETE
19	<ul style="list-style-type: none"> • BOMBIN EMBRAGUE ME250632026 (u. 1) 	OBSOLETE
20	<ul style="list-style-type: none"> • Bleeder Cap BT27922055 (u. 1) 	
21	<ul style="list-style-type: none"> • Bleeder, Pro Rear Brake Caliper BE25622060 (u. 1) 	
22	<ul style="list-style-type: none"> • CLUTCH PROTECTOR BLACK 0/000.220.9129 (u. 1) 	
23	<ul style="list-style-type: none"> • IGNITION PROTECTOR BLACK 0/000.220.9130 (u. 1) 	

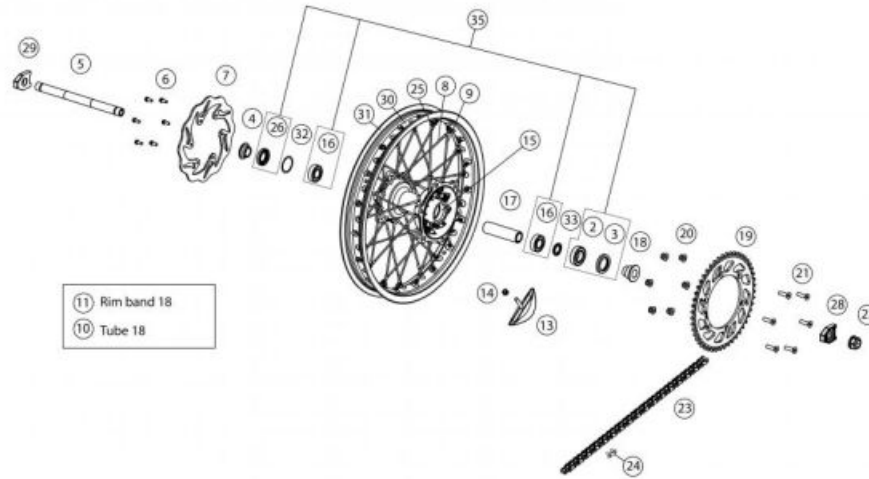
FRONT WHEEL



2	<ul style="list-style-type: none"> FRONT WHEEL AXLE EC 2011 20.8CM 0/000.190.9102 (u. 1) FRONT AXLE INNER SCREW MR2022 0/000.460.9166 (u. 1)
3	<ul style="list-style-type: none"> FRONT WHEEL AXIS BOLT 0/000.340.9100 (u. 1)
4	<ul style="list-style-type: none"> FRONT WHEEL GASKET BE250418057 (u. 2)
5	<ul style="list-style-type: none"> Front Wheel Bearing 04 Pro ME120136055 (u. 2)
6	<ul style="list-style-type: none"> FRONT BRAKE DISC DIAM. 260 FLOATING 0/001.090.9106 (u. 1)
7	<ul style="list-style-type: none"> SREWC WASHERr 6x14 (Fork Brace) 0/000.460.9142 (u. 1)
8	<ul style="list-style-type: none"> SPACER BE250418058 (u. 1)
9	<ul style="list-style-type: none"> FRONT WHEEL HUB BE54110GG-CAB-1 (u. 1)
10	<ul style="list-style-type: none"> FRONT BLACK RIM 21x1.60 0/000.230.9101 (u. 1)
11	<ul style="list-style-type: none"> SET RIM FRONT SPOKES-MOUNTED EC 2018 0/000.110.9100 (u. 1)
12	<ul style="list-style-type: none"> TUERCA RADIO DEL. BE542503013 (u. 36)
13	<ul style="list-style-type: none"> RADIO DEL.EC-2013 BE542003013 (u. 36)
14	<ul style="list-style-type: none"> FRONT TIRE HOLDER 1.6x21 0/000.220.9114 (u. 1)
15	<ul style="list-style-type: none"> FR. TIRE HOLDING BUSHING EC-2010 8X12X12 0/000.480.9112 (u. 1)
16	<ul style="list-style-type: none"> AUTOLOCK NUT 8MM DIN 985 ZINC 0/000.340.9114 (u. 1)

18	<ul style="list-style-type: none">● CAMARA DELANTERA 21MDR VALVE TR4 833092 0/000.520.9100 (u. 1)
19	<ul style="list-style-type: none">● PROT.BANDA DEL.FLAP 1.60/1.85 X 21(1400X25) 949947 0/000.220.9108 (u. 1)
20	<ul style="list-style-type: none">● MAGNET EC 2010 0/001.010.9101 (u. 1)
21	<ul style="list-style-type: none">● SEGEER A 9 DIN 471 BRACKET MAGNET EC 2010 0/000.300.9100 (u. 1)
22	<ul style="list-style-type: none">● FRONT WHEEL SPACER 0/000.480.9100 (u. 1)
23	<ul style="list-style-type: none">● SET BEARINGS AND SEALS FRONT WHEEL EC BE51000CT2510 (u. 1)
25	<ul style="list-style-type: none">● DISK PROTECTION BLACK 0/000.220.9127 (u. 1)

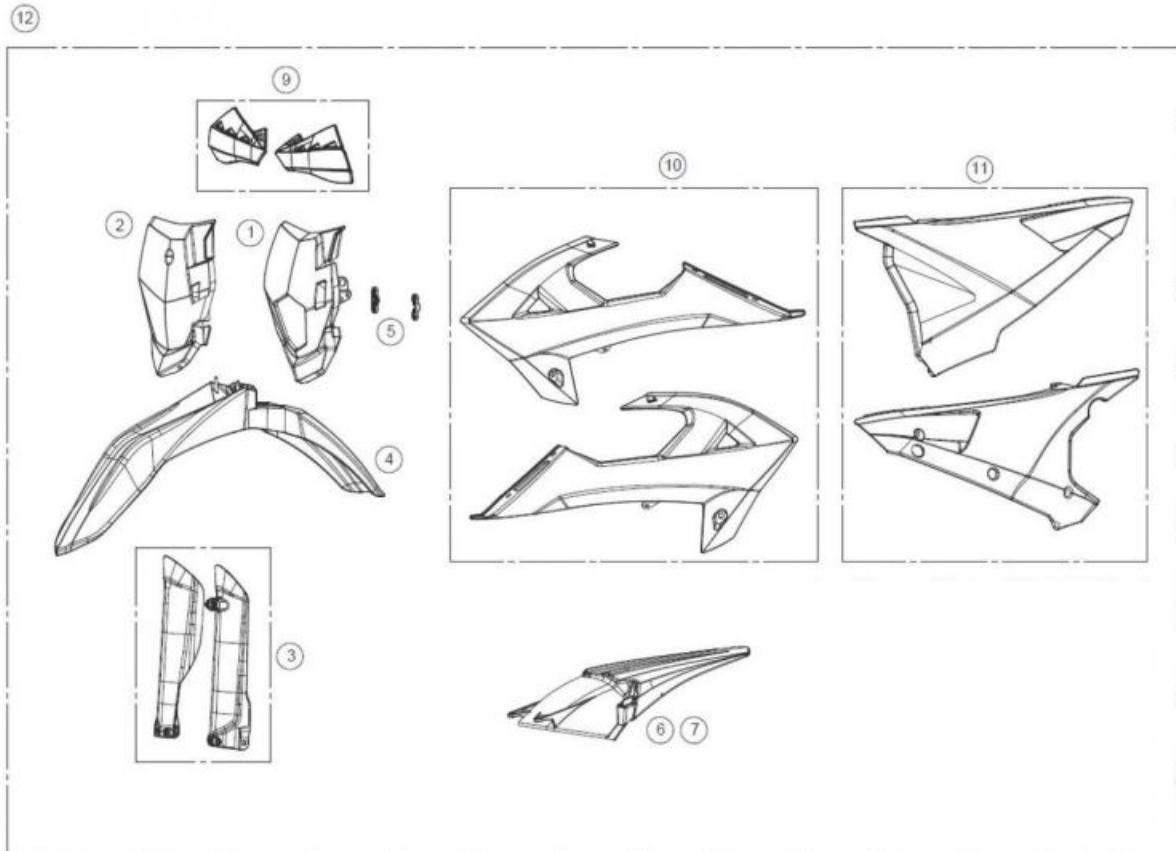
REAR WHEEL



2	<ul style="list-style-type: none"> ● WHEEL BEARING BE250318054 (u. 1)
3	<ul style="list-style-type: none"> ● REAR WHEEL SEAL BE250318055 (u. 1)
4	<ul style="list-style-type: none"> ● SHORT REAR WHEEL SPACER 0/000.480.9104 (u. 1)
5	<ul style="list-style-type: none"> ● AXLE WHEEL REAR EC 2018 0/000.190.9103 (u. 1)
6	<ul style="list-style-type: none"> ● HEX BOLT WASHER 6x14 (Fork Brace) DIN 6921 0/000.460.9118 (u. 6)
7	<ul style="list-style-type: none"> ● REAR BRAKE DISC MR 220mm 0/001.090.9108 (u. 1)
8	<ul style="list-style-type: none"> ● RADIO 192x4,5 LADO BRAKE 18" BE59200GG-CLJ-1 (u. 18)
9	<ul style="list-style-type: none"> ● RADIO 188x4.5 LADO CROWN 18" BE59210GG-CLJ-1 (u. 18)
10	<ul style="list-style-type: none"> ● CAMARA TRASERA CH 18 MGR VALVE TR4 MICHELIN 0/000.520.9102 (u. 1)
11	<ul style="list-style-type: none"> ● PROT.BANDA TRASERO 1.60/2.00 X 18/19 (1300X25) 656 0/000.220.9110 (u. 1)
13	<ul style="list-style-type: none"> ● REAR TYRE HOLDER 2.15x18 0/000.220.9115 (u. 1)
14	<ul style="list-style-type: none"> ● AUTOLOCK NUT 8MM DIN 985 ZINC 0/000.340.9114 (u. 1)
15	<ul style="list-style-type: none"> ● REAR WHEEL HUB EC 2018 BE59100GG-CLJ-1 (u. 1)
16	<ul style="list-style-type: none"> ● Wheel Bearing 60042RS C160001 (u. 2)

17	<ul style="list-style-type: none"> DISTANCING INTER. REAR ENDURO 2018 BE59105GG-CLJ-1 (u. 1)
18	<ul style="list-style-type: none"> BUSH WHEEL REAR LEFT. ENDURO 2018 0/000.480.9113 (u. 1)
19	<ul style="list-style-type: none"> SPROCKET, Z50 EC 2014 COLOR TITANIUM 0/000.500.9102 (u. 1)
	<ul style="list-style-type: none"> PLATE Z 48 0/000.500.9101 (u. 1)
	<ul style="list-style-type: none"> SPROCKET Z42 0/000.500.9103 (u. 1)
	<ul style="list-style-type: none"> Z49 SPROCKET 0/000.500.9100 (u. 1)
20	<ul style="list-style-type: none"> M8 NUT 0/000.340.0180 (u. 6)
21	<ul style="list-style-type: none"> ALLEN BOLT 8x30 DIN 7991 ZINC 12.9 0/000.460.9153 (u. 6)
22	<ul style="list-style-type: none"> REAR NUT WHEEL. ENDURO 2018 0/000.340.9104 (u. 1)
23	<ul style="list-style-type: none"> CHAIN OPEN 110 LINKS 0/001.050.9102 (u. 1) - <i>HOMOLOG</i>
	<ul style="list-style-type: none"> CHAIN 520 X-RING PACKAGED 112 STEPS 0/001.050.9100 (u. 1) - <i>NO HOMOLOGADA</i>
24	<ul style="list-style-type: none"> ENGANCHE CADENA 520 X-RING 0/001.050.9110 (u. 1)
25	<ul style="list-style-type: none"> REAR SPOKE NUT BE592153013 (u. 36)
26	<ul style="list-style-type: none"> FRONT WHEEL GASKET C160710 (u. 1)
28	<ul style="list-style-type: none"> CHAIN ADJUSTER BLOCK ENDURO 2018 0/000.380.9101 (u. 1)
29	<ul style="list-style-type: none"> CHAIN ADJUSTER BLOCK BLIND ENDURO 2018 0/000.380.9100 (u. 1)
30	<ul style="list-style-type: none"> SET RIM REAR SPOKES-MOUNTED EC 2018 0/000.120.9100 (u. 1)
31	<ul style="list-style-type: none"> REAR BLACK RIM 18 X 2.15 0/000.230.9103 (u. 1)
32	<ul style="list-style-type: none"> SEEGER RING D42 BE25618038 (u. 1)
33	<ul style="list-style-type: none"> INTERIOR HUB WASHER BE250318056 (u. 1)
35	<ul style="list-style-type: none"> SET BEARINGS AND SEALS REAR WHEEL EC BE56000CT2510 (u. 1)

FAIRING



1 ● PORTAHEAD-LIGHTL.EC 2018 BL.
0/000.620.9100 (u. 1)

2 ● FRONT NUMBER-PLATE CROSS COUNTRY 2018 WHITE
0/000.570.9113 (u. 1)

3 ● SET PROT.FORK MR300 BLACK
0/000.220.9118 (u. 1)

4 ● FRONT FENDER EC 2018 NO STIKER
0/000.050.9101 (u. 1)

5 ● FRONT SUPPORT HEADLAMP
0/000.980.9104 (u. 1)

OBSOLETE

5 ● SOPORTE PORTAFARO MR NEGRO INY.
0/000.980.9127 (u. 1)

6 ● SET REAR FENDER EC 2018 WHITE.
0/000.060.9100 (u. 1)

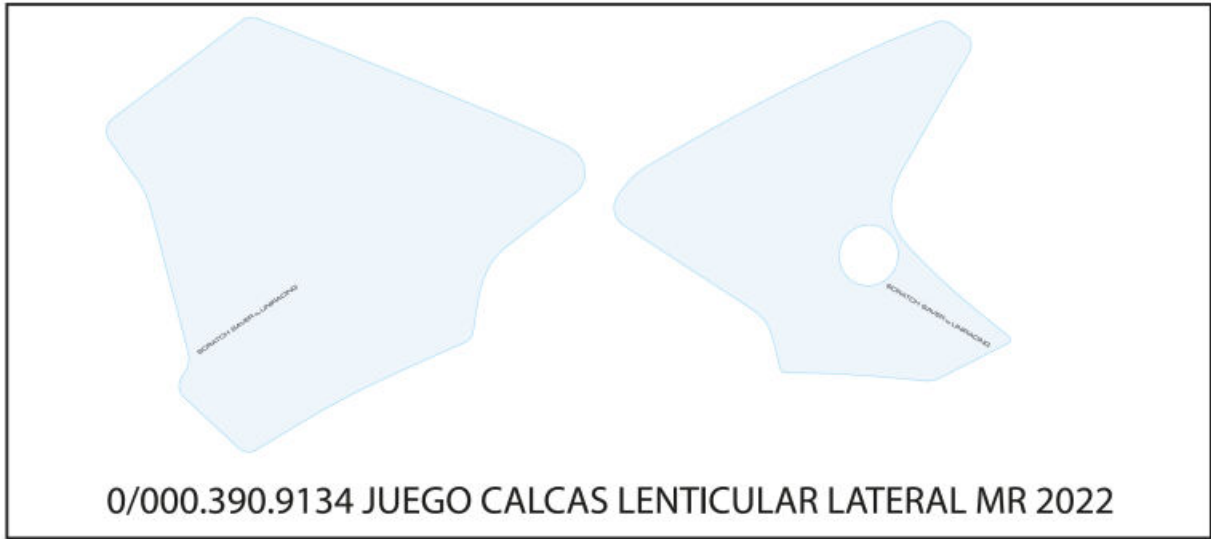
7 ● REAR FENDER WHITE CROSS COUNTRY
0/000.060.9103 (u. 1)

9 ● SET HANDGUARDS ENDURO WHITE (QWEST)
0/000.770.9100 (u. 1)

10 ● SET FRONT COVER BLACK MR
0/K00.570.9102 (u. 1)

11 ● SET REAR COVER WHITE MR
0/K00.570.9101 (u. 1)

TRANSPARENT STICKER

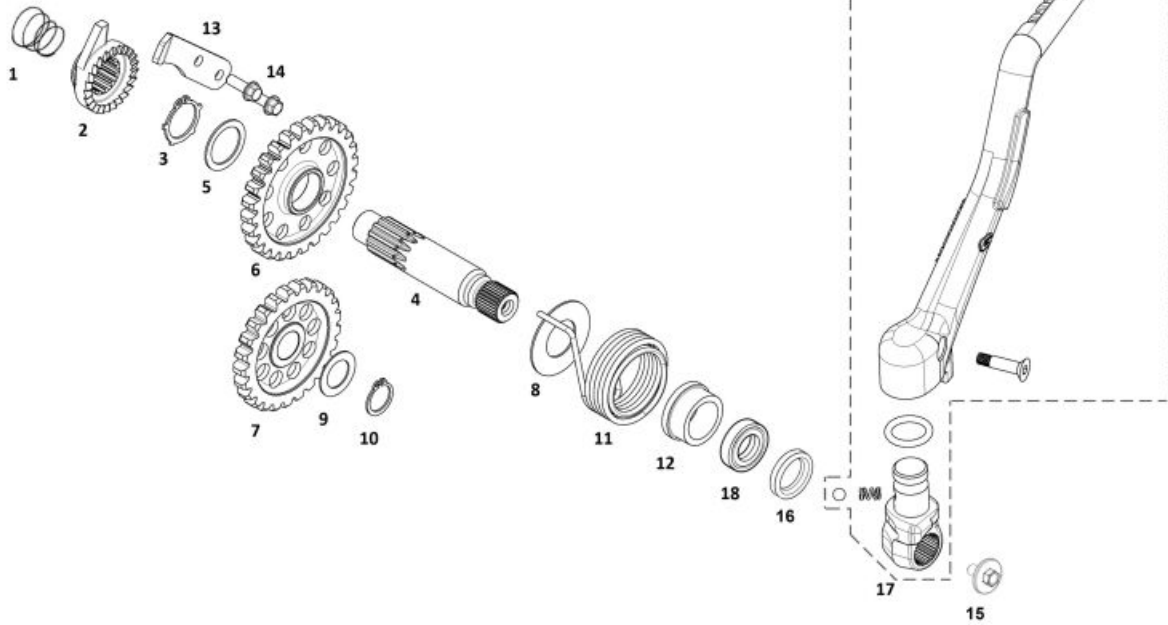


1

- JUEGO CALCAS LENTICULAR LATERAL MR 2022
0/000.390.9134 (u. 1)

ENGINE MR 2022 80 ANIV

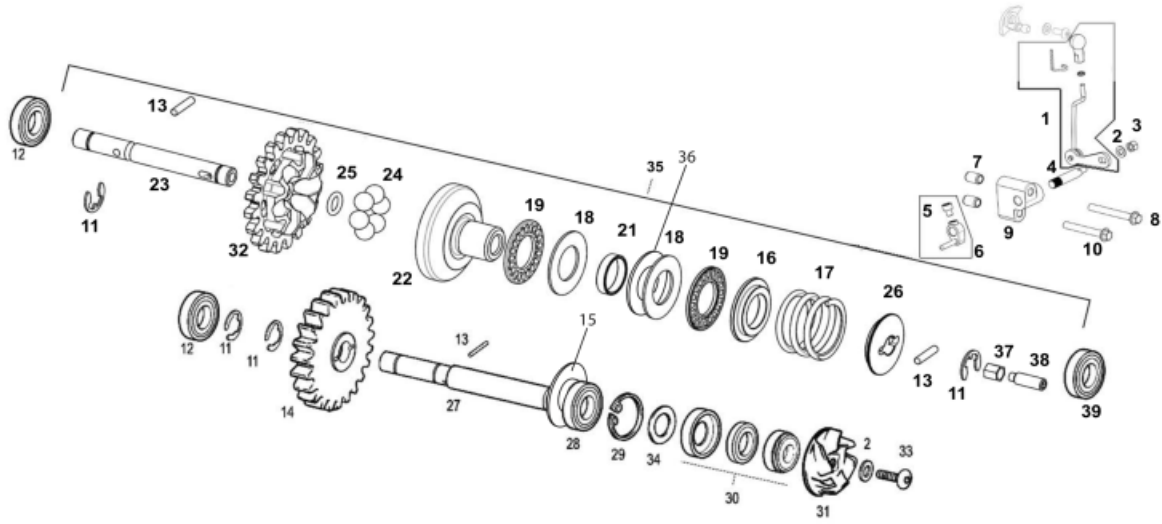
KICK STARTER



1	<ul style="list-style-type: none"> KICKSTART SPRING 0/000.470.9109 (u. 1)
2	<ul style="list-style-type: none"> INNER KICKSTART GEAR 0/005.400.9110 (u. 1)
3	<ul style="list-style-type: none"> CIRCLIP D.20 DIN 471 0/000.300.9105 (u. 1)
4	<ul style="list-style-type: none"> KICKSTARTER SHAFT 0/005.400.9106 (u. 1)
5	<ul style="list-style-type: none"> END WASHER 27X202X1 0/000.440.9109 (u. 1)
6	<ul style="list-style-type: none"> KICKDRIVE GEAR 0/005.400.9105 (u. 1)
7	<ul style="list-style-type: none"> KICKSTART INNER PINION 0/005.400.9108 (u. 1)
8	<ul style="list-style-type: none"> KICKSTARTER WASHER 40x20,15x1 0/000.440.9111 (u. 1)
9	<ul style="list-style-type: none"> WASHER 241515X08 0/000.440.9110 (u. 1)
10	<ul style="list-style-type: none"> SEEGER D.15 DIN 47 0/000.300.9101 (u. 1)
11	<ul style="list-style-type: none"> KICK START SPRING 0/000.470.9110 (u. 1)
12	<ul style="list-style-type: none"> KICKSTART SPRING BUSHING 0/000.480.9125 (u. 1)
13	<ul style="list-style-type: none"> KICKSTART RATCHET BRACKET 0/000.980.9114 (u. 1)
14	<ul style="list-style-type: none"> HEAD SCREW 5x15 DIN 6921 GEOMET 10.9 0/000.460.9115 (u. 2)
15	<ul style="list-style-type: none"> VISS ESPECIAL 6X11 GEOMET 10.9 0/000.460.9134 (u. 1)
16	<ul style="list-style-type: none"> BUSH PEDAL ARRANQUE EC 2014 0/000.480.9126 (u. 1)

17	<ul style="list-style-type: none">• STARTER LEVER MR300 0/005.430.9103 (u. 1)
18	<ul style="list-style-type: none">• KICKSTARTER OIL SEAL 20X30X7 0/000.890.9105 (u. 1)

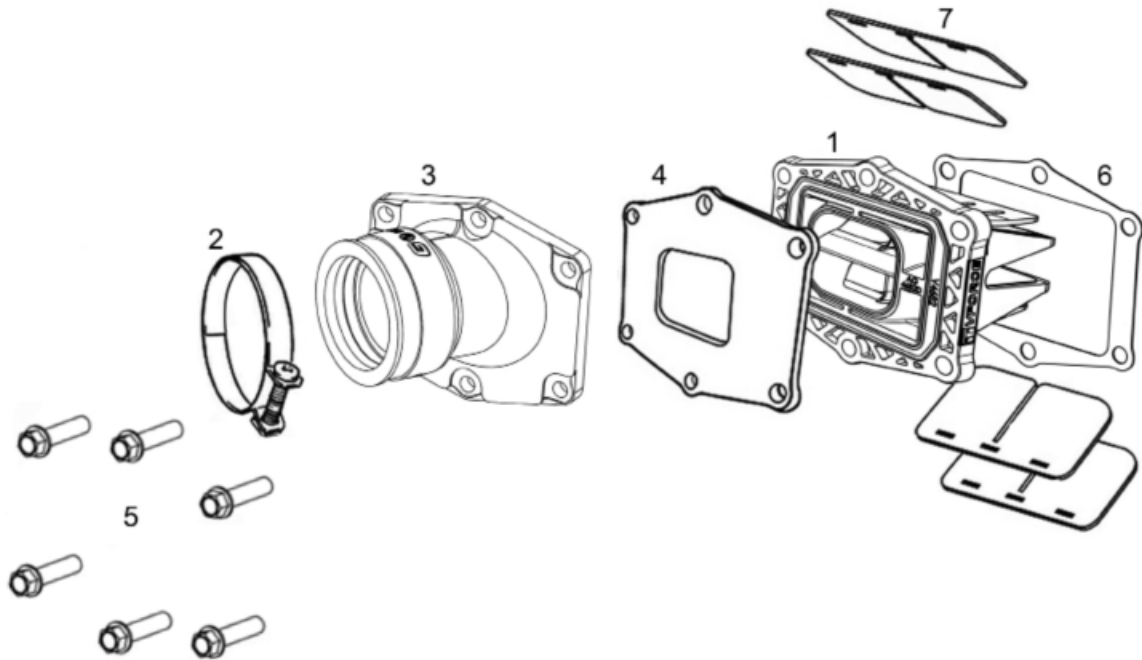
WATER PUMP



1	<ul style="list-style-type: none"> ● SET PUSHER VALV.EXHAUST COMPLETE EC 2015 0/000.640.9104 (u. 1) 	
2	<ul style="list-style-type: none"> ● WASHER 5x12x1.5 DIN 125A ZINC 0/000.440.9121 (u. 2) 	
3	<ul style="list-style-type: none"> ● SELFLOCKING NUT M5 DIN-985 ZINC 8 0/000.340.9112 (u. 1) 	
4	<ul style="list-style-type: none"> ● AXLE LEVER CENTRIFUGAL 0/000.190.9108 (u. 1) 	
6	<ul style="list-style-type: none"> ● SET LEVER CENTRIFUG. EC 0/005.490.9101 (u. 1) 	
7	<ul style="list-style-type: none"> ● ENGINE CASE LOCATER BUSHING 0/000.480.9119 (u. 2) 	
8	<ul style="list-style-type: none"> ● HEAD SCREW 6x60 DELTA PROTEK 10.9 0/000.460.9128 (u. 1) 	
9	<ul style="list-style-type: none"> ● BRACKET AXLE MANDO VALVE EC 2015 0/000.980.9115 (u. 1) 	
10	<ul style="list-style-type: none"> ● HEAD SCREW 6x40 GEOMET 10.9 0/000.460.9125 (u. 1) 	
11	<ul style="list-style-type: none"> ● SEEGER DIN 6799 E7 0/000.300.9103 (u. 4) 	
12	<ul style="list-style-type: none"> ● 508Z BEARING 0/000.960.9108 (u. 2) 	
13	<ul style="list-style-type: none"> ● IMPELLER WATER PUMP NEEDLE 3X14 0/000.280.9101 (u. 3) 	
14	<ul style="list-style-type: none"> ● WATER PUMP PINION 0/005.400.9111 (u. 1) 	
15	<ul style="list-style-type: none"> ● 10X19X05 WASHER 0/000.440.9113 (u. 1) 	
16	<ul style="list-style-type: none"> ● CENTRIFUGAL SPRING RETAINER ME59026GG-CEQ-1 (u. 1) - 250cc / 300cc 	OBSOLETE
17	<ul style="list-style-type: none"> ● EXHAUST VALVE SPRING 99 ME25916026 (u. 1) - 250cc / 300cc 	
18	<ul style="list-style-type: none"> ● BEARING WASHER 0/000.440.9107 (u. 2) 	
19	<ul style="list-style-type: none"> ● NEEDLES BEARING AXK 1528 0/000.960.9109 (u. 2) 	

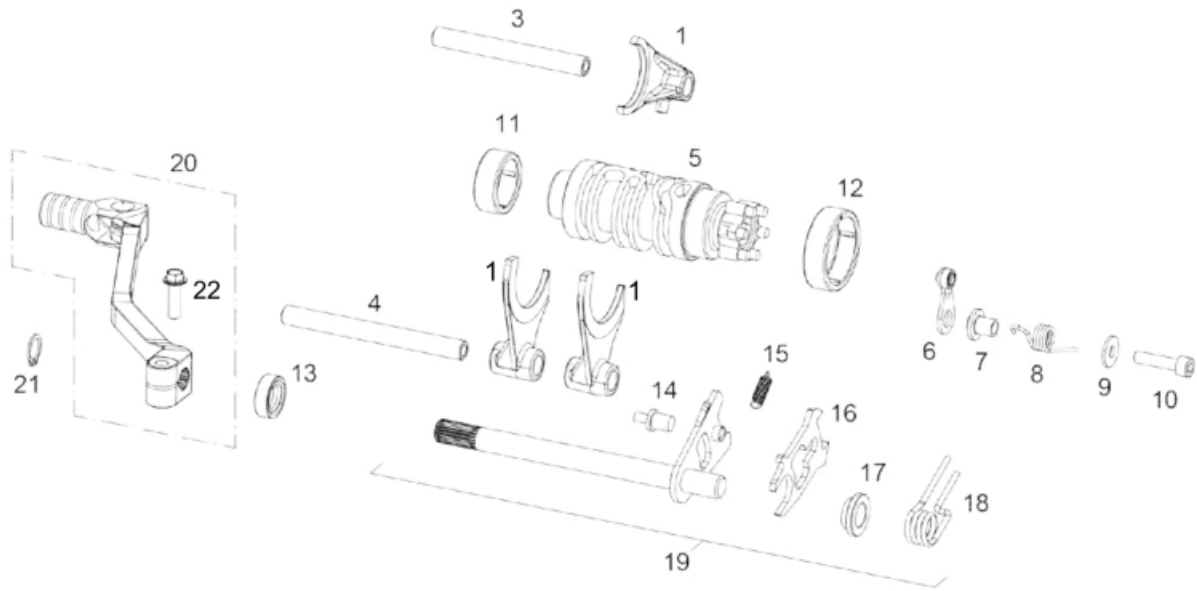
21	<ul style="list-style-type: none"> SPACER ME25616008 (u. 1) 	
22	<ul style="list-style-type: none"> CLUCTH OUTER CENTRIFUGAL EC 2015 ME59030GG-CEQ-1 (u. 1) 	OBSOLETE
23	<ul style="list-style-type: none"> AXLE CENTRIFUGAL EC 2015 ME59015GG-CEQ-1 (u. 1) 	
24	<ul style="list-style-type: none"> 8mm Clutch Ball Bearing 50cc ME25616033 (u. 6) 	OBSOLETE
25	<ul style="list-style-type: none"> 6X2 OÆRING ME25616045 (u. 1) 	
26	<ul style="list-style-type: none"> ARAMOF LA APYO SPRING EC 300 2015 ME59025GG-CEQ-1 (u. 1) - 250cc / 300cc 	OBSOLETE
27	<ul style="list-style-type: none"> WATER PUMP PINION AXIS 0/000.190.9104 (u. 1) 	
28	<ul style="list-style-type: none"> BEARING 6000 C3Z=M03313001 0/000.960.9107 (u. 1) 	
29	<ul style="list-style-type: none"> WATER PUMP SEEGER D.26 0/000.300.9106 (u. 1) 	
30	<ul style="list-style-type: none"> WATERPUMP SEAL 0/000.890.9104 (u. 1) 	
31	<ul style="list-style-type: none"> WATER PUMP IMPELLER 0/005.220.9100 (u. 1) 	
32	<ul style="list-style-type: none"> PINION CENTRIFUGAL EC 300 2015 ME59050GG-CEQ-1 (u. 1) 	
34	<ul style="list-style-type: none"> SECONDARY WASHER WATERPUMP 25.8x17.5x0.5 0/000.440.9103 (u. 1) 	
35	<ul style="list-style-type: none"> CENTRIFUGAL COMPLETE EC 200 2019 0/000.640.9102 (u. 1) 	
	<ul style="list-style-type: none"> CENTRIFUGAL COMPLETE EC 300 2015 0/000.640.9101 (u. 1) 	
39	<ul style="list-style-type: none"> BEARING BALL 619/8-ZZ 0/000.960.9105 (u. 1) 	

REED VALVE



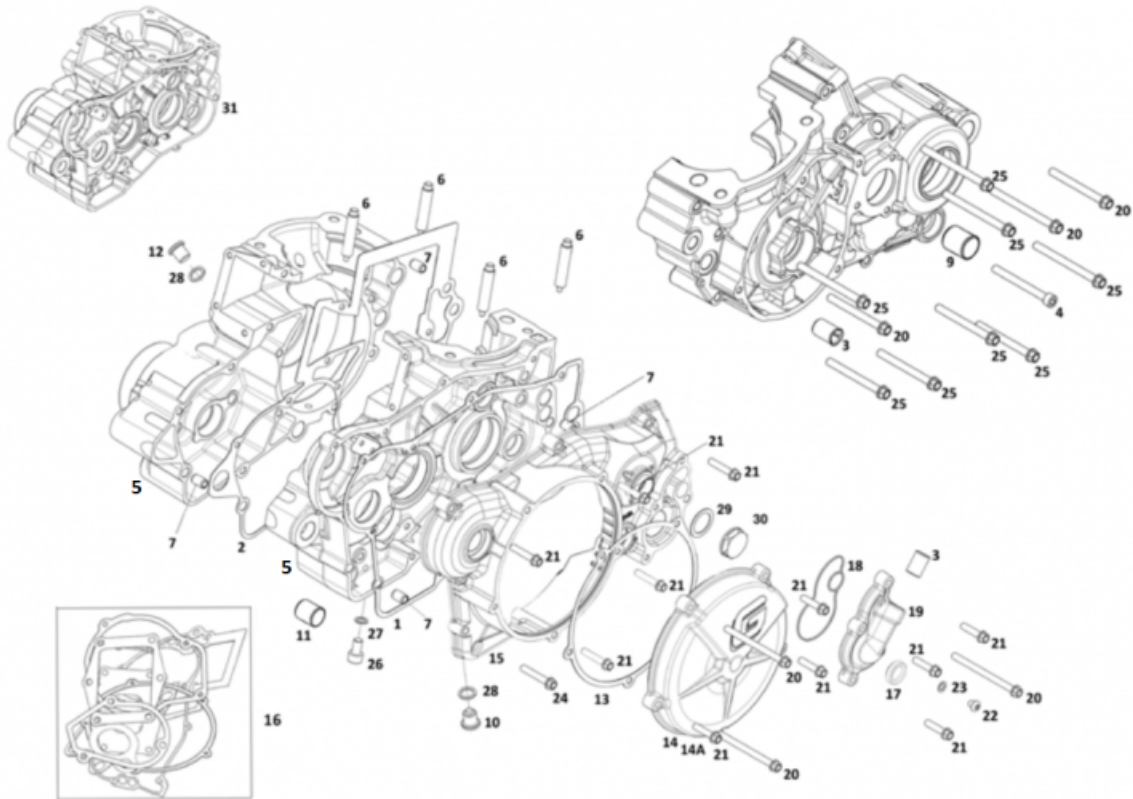
1	<ul style="list-style-type: none"> ● REED VALVE ASSEMBLY V-FORCE 4 0/005.600.9100 (u. 1) 	OBSOLETE
	<ul style="list-style-type: none"> ● CAJA LAMINAS V405D 0/005.600.9102 (u. 1) 	
2	<ul style="list-style-type: none"> ● CLAMP S56/9 W1 ZINC 0/000.680.9109 (u. 1) 	
3	<ul style="list-style-type: none"> ● MANIFOLD ADMISION ENDURO 2018 0/000.290.9116 (u. 1) 	
4	<ul style="list-style-type: none"> ● SEAL BOX REED VALVES MANIFOLD ENDURO 2018 0/000.490.9114 (u. 1) 	
5	<ul style="list-style-type: none"> ● SPECIAL BOLT 6x25 DIN 6921 GEOMET 10.9 0/000.460.9121 (u. 6) 	
6	<ul style="list-style-type: none"> ● CRANKCASE REED VALVE GASKET 0/000.490.9120 (u. 1) 	
7	<ul style="list-style-type: none"> ● REED VALVE SET ME27000GG-CAB-1 (u. 2) 	

CHANGE SHAFT



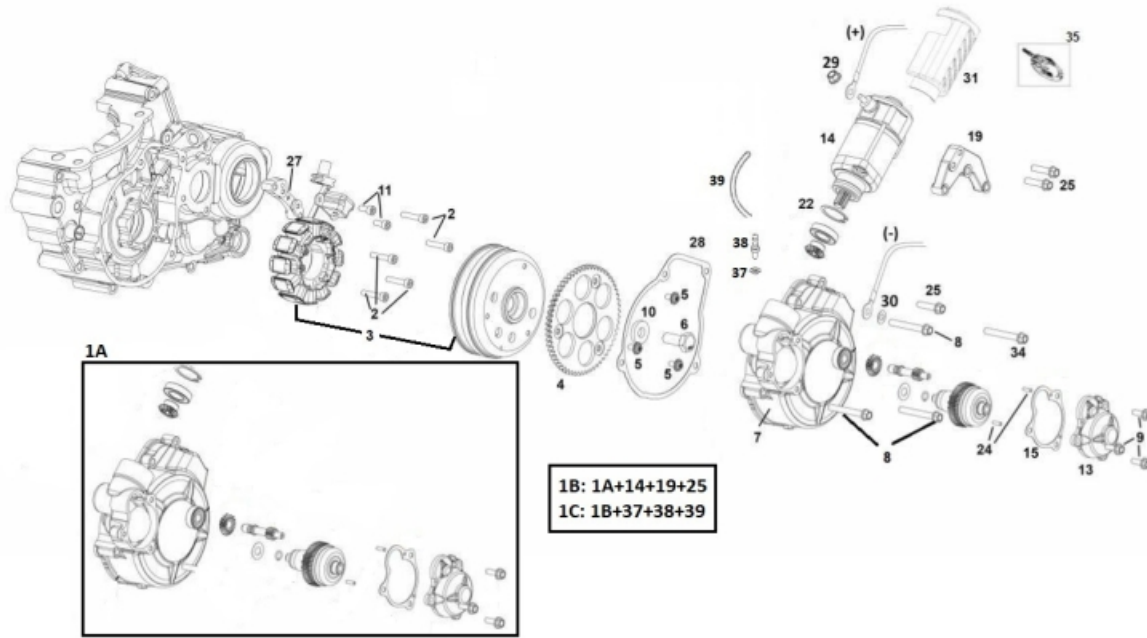
1	<ul style="list-style-type: none"> ● SET PRIMA. AND SECOND ENDURO 2018 ME47000CT-CLJ-1 (u. 1)
3	<ul style="list-style-type: none"> ● SHORT FORK AXIS 5-6 0/000.190.9107 (u. 1)
4	<ul style="list-style-type: none"> ● FORK AXIS 1-2-3-4 0/000.190.9106 (u. 1)
5	<ul style="list-style-type: none"> ● SHIFT CAM EC 0/005.090.9100 (u. 1)
6	<ul style="list-style-type: none"> ● GEAR LEVER END 0/005.560.9100 (u. 1)
7	<ul style="list-style-type: none"> ● GEAR BUSHING 0/000.480.9122 (u. 1)
8	<ul style="list-style-type: none"> ● GEAR FASTEN SPRING 0/000.470.9108 (u. 1)
9	<ul style="list-style-type: none"> ● WASHER 6x16x1.5 DIN 125 ZINC 0/000.440.9125 (u. 1)
10	<ul style="list-style-type: none"> ● SPECIAL BOLT 6x25 DIN 6921 GEOMET 10.9 0/000.460.9121 (u. 1)
11	<ul style="list-style-type: none"> ● SHIFT CAM BEARING 0/000.960.9111 (u. 1)
12	<ul style="list-style-type: none"> ● SHIFT CAM BEARING 0/000.960.9110 (u. 1)
13	<ul style="list-style-type: none"> ● SEAL 12227 0/000.890.9107 (u. 1)
14	<ul style="list-style-type: none"> ● SELECTOR SPRING SCREW 0/000.460.9110 (u. 2)
15	<ul style="list-style-type: none"> ● SCORPION SPRING ME25636039 (u. 1)
16	<ul style="list-style-type: none"> ● SCORPION ME250236036 (u. 1)
17	<ul style="list-style-type: none"> ● SCORPION CENTRER BUSHING ME250236041 (u. 1)
18	<ul style="list-style-type: none"> ● SELECTOR SPRING ME25636035 (u. 1)
19	<ul style="list-style-type: none"> ● GEAR FASTEN SET 0/005.010.9100 (u. 1)

20	<ul style="list-style-type: none"> ● GEAR LEVER SET RF2014 0/005.430.9100 (u. 1) 	OBSOLETE
21	<ul style="list-style-type: none"> ● SEEGER 12X1 0/000.300.9104 (u. 1) 	
22	<ul style="list-style-type: none"> ● TORN.ESP. DIN 6921 Hex.8 TX30 M6x20 Cal.10.9 GEOMET 0/000.460.9181 (u. 1) 	
	<ul style="list-style-type: none"> ● TORN.ESP. DIN 6921 Hex.8 TX30 M6x20 Cal.10.9 GEOMET 0/000.460.9181 (u. 1) 	
	<ul style="list-style-type: none"> ● BOLT 6x20 DIN 6921 GEOMET 10.9 0/000.460.9120 (u. 1) 	OBSOLETE

CARTER


1	<ul style="list-style-type: none"> ● CLUTCH COVER GASKET 0,5mm 0/000.490.9108 (u. 1)
2	<ul style="list-style-type: none"> ● GASKET CRANKCASE 2018 0/000.490.9118 (u. 1)
3	<ul style="list-style-type: none"> ● WATER INLET FITTING 0/000.480.9123 (u. 2)
4	<ul style="list-style-type: none"> ● ALLEN BOLT 6x60 DIN 912 ZINC 12.9 0/000.460.9150 (u. 1)
5	<ul style="list-style-type: none"> ● SET CRANKCASE ENDURO 200 2018 ME10000CT-CLP-1 (u. 1) ● CRANKCASE KIT EC2018 ME10000CT-CLJ-1 (u. 1)
6	<ul style="list-style-type: none"> ● CYLINDER PIN 0/000.280.9100 (u. 4)
7	<ul style="list-style-type: none"> ● ENGINE CASE LOCATER BUSHING 0/000.480.9119 (u. 4)
9	<ul style="list-style-type: none"> ● BRAKE PEDAL BUSHING 12X15. 0/000.480.9117 (u. 1)
10	<ul style="list-style-type: none"> ● PLUG EMPTY OIL 0/000.410.9104 (u. 1)
11	<ul style="list-style-type: none"> ● BRAKE PEDAL BUSHING 1212PD 0/000.480.9105 (u. 1)
12	<ul style="list-style-type: none"> ● PLUG LOAD OIL 0/000.410.9103 (u. 1)
13	<ul style="list-style-type: none"> ● DISCS COVER GASKET 2014 0/000.490.9104 (u. 1)
14	<ul style="list-style-type: none"> ● COVER DISC CLUTCH GRAY 0/000.350.9105 (u. 1)

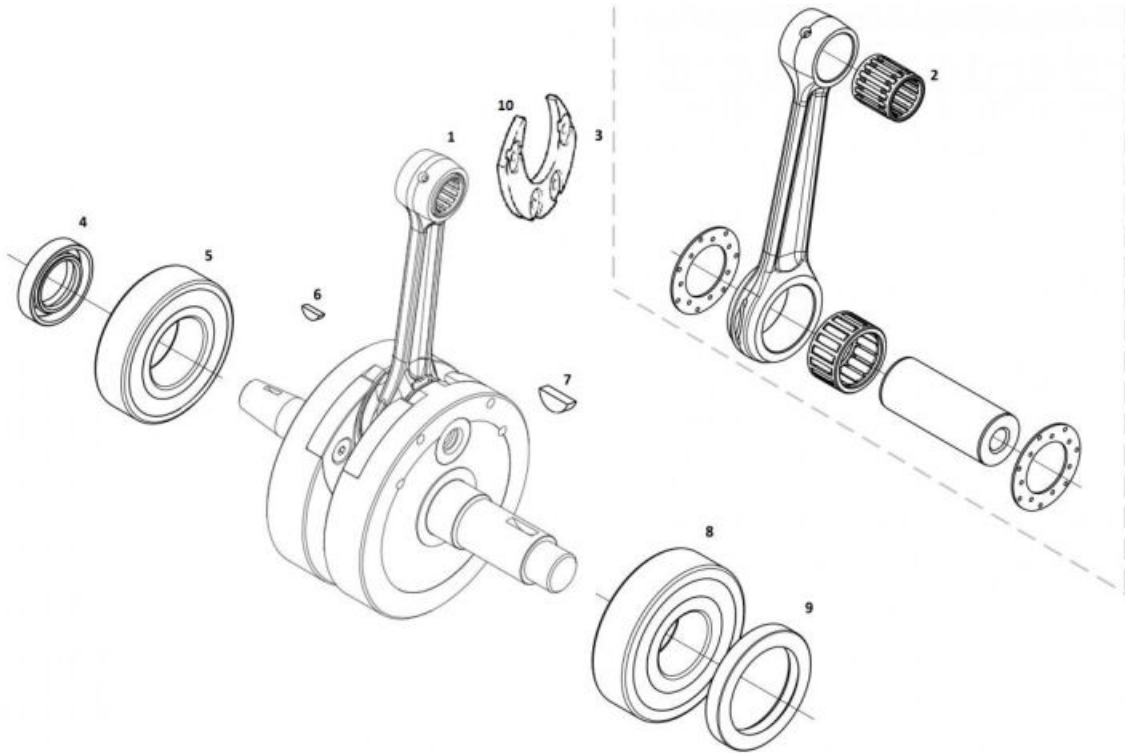
15	● KICKSTARTER OIL SEAL 20X30X7 0/000.890.9105 (u. 1)
	● COVER CLUTCH GRAY RAL (9006) 0/000.350.9107 (u. 1)
	● SIGHT GLASS OIL 0/000.410.9106 (u. 1)
	● CASQUILLO ROSCADO TAPON CENTRIFUGO 0/000.980.9131 (u. 1)
16	● SET GASKETS 250-300 EC 2018 ME94610CT-CLJ-1 (u. 1)
17	● SIGHT GLASS OIL 0/000.410.9106 (u. 1)
18	● WATER PUMP COVER GASKET 0/000.490.9115 (u. 1)
19	● PUMP COVER WATER 0/000.220.9124 (u. 1)
20	● HEAD SCREW 6x75 DELTA PROTEK 12.9 0/000.460.9129 (u. 6)
21	● SPECIAL BOLT 6x25 DIN 6921 GEOMET 10.9 0/000.460.9121 (u. 11)
22	● SCREW SPECIAL 6X10+WASHER GEOMET 10.9 0/000.460.9133 (u. 1)
23	● HEAD BOLT WASHE 6x10x1.5 0/000.440.9122 (u. 1)
24	● SPECIAL BOLT 6X35 DIN 6921 GEOMET 0/000.460.9124 (u. 1)
25	● HEAD SCREW 6x60 DELTA PROTEK 10.9 0/000.460.9128 (u. 8)
27	● COPPER WASHER 8x12x1 DIN 125 A ISO 7089 0/000.440.9128 (u. 1)
28	● SPARK PLUG WASHER 12X18X2 0/000.440.9114 (u. 2)
29	● O-RING 20 x 1.5 NBR 70 0/000.490.9116 (u. 1)
30	● CAP ADJUSTMENT CENTRIFUGAL 0/000.410.9105 (u. 1)
31	● CRANKCASE KIT EC2018 ME10000CT-CLJ-1 (u. 1) - 250cc / 300cc
32	● ENGINE CASE LOCATER BUSHING 0/000.480.9119 (u. 2)

FLYWHEEL - ELECTRIC STARTER


1B	<ul style="list-style-type: none"> ELECTRIC STARTER KIT 2022 0/005.480.9102 (u. 1) - <i>CON MOTOR DE ARRANQUE</i>
1A	<ul style="list-style-type: none"> ELECTRIC STARTER KIT 2022 + BENDIX 0/005.480.9103 (u. 1) - <i>SIN MOTOR DE ARRANQUE</i>
1C	<ul style="list-style-type: none"> ELECTRIC STARTER KIT 2022 + DEVAPORIZER 0/K05.480.9102 (u. 1) - <i>CON MOTOR DE ARRANQUE</i>
2	<ul style="list-style-type: none"> ALLEN BOLT 5x25 DIN 912 DRACOMET 8.8 0/000.460.9146 (u. 5)
3	<ul style="list-style-type: none"> SET FLYWHEEL MR 2022 0/005.820.9104 (u. 1)
4	<ul style="list-style-type: none"> ELECTRIC START SPROCKET EC 2015 0/005.400.9102 (u. 1)
5	<ul style="list-style-type: none"> TORX CABEZA ABOM.WASHER 5X8 ISO 7380-2 10.9 0/000.460.9154 (u. 3)
6	<ul style="list-style-type: none"> VISS EXAG. 10x25 GEOMET 0/000.460.9112 (u. 1)
8	<ul style="list-style-type: none"> HEAD SCREW 6x40 GEOMET 10.9 0/000.460.9125 (u. 1)
9	<ul style="list-style-type: none"> HEAD SCREW 5x15 DIN 6921 GEOMET 10.9 0/000.460.9115 (u. 3)
11	<ul style="list-style-type: none"> ALLEN BOLT 5x10 DIN 912 ZINC 12.9 0/000.460.9145 (u. 2)
13	<ul style="list-style-type: none"> COVER BENDIX EC 2015 EE80130GG-CBR-2 (u. 1)
14	<ul style="list-style-type: none"> STARTING-ENGINE.EC 2015 PHI50mm 0/005.480.9100 (u. 1)
15	<ul style="list-style-type: none"> SEAL COVER BENDIX EC 2015 EE80135GG-CBR-1 (u. 1)
19	<ul style="list-style-type: none"> ELECTRIC START ENGINE BRACKET EC 2015 0/000.980.9111 (u. 1)
24	<ul style="list-style-type: none"> NOZZLE DIN5402-3 TYPE BF DIAM-3X9.8 FLAT EE80140GG-CBR-1 (u. 2)
25	<ul style="list-style-type: none"> SPECIAL BOLT 6x25 DIN 6921 GEOMET 10.9 0/000.460.9121 (u. 3)

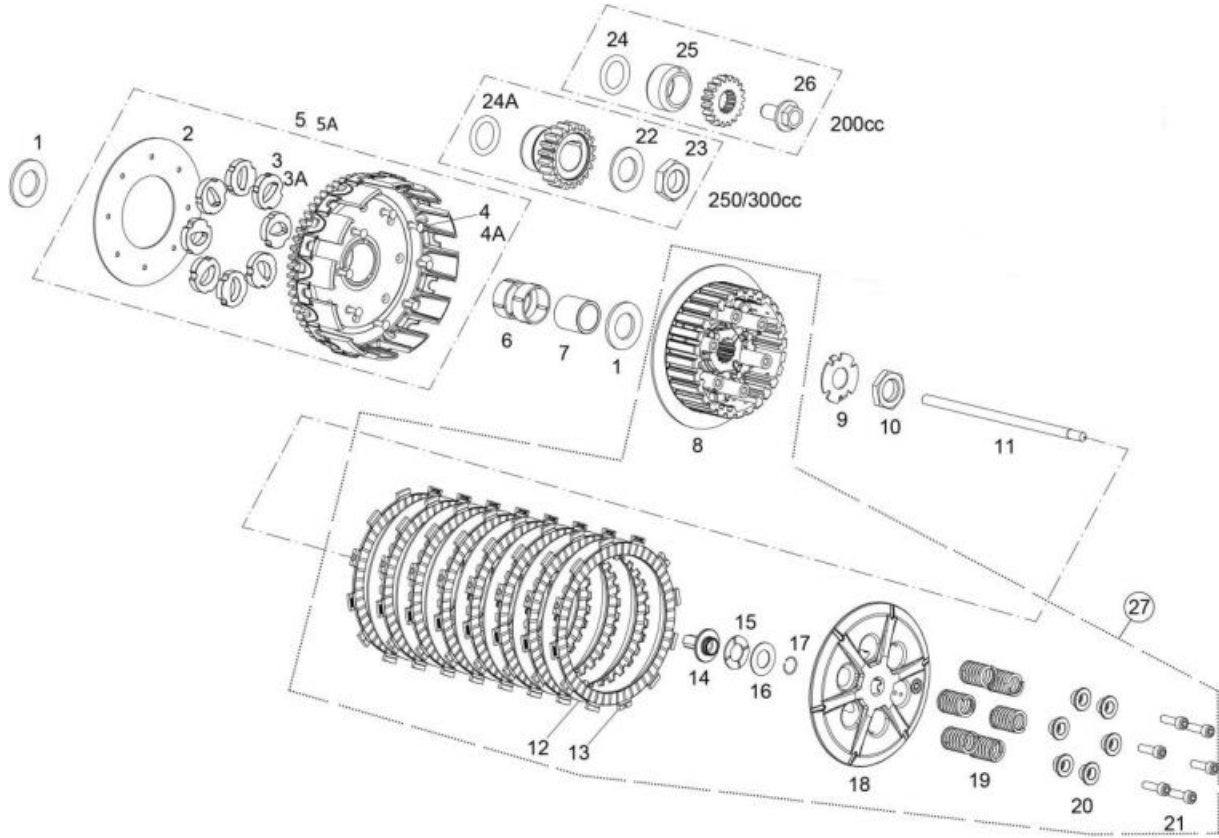
27	<ul style="list-style-type: none"> ADAPTOR PULSER HIDRIA EC 2014 V2 0/000.980.9109 (u. 1) 	
28	<ul style="list-style-type: none"> GASKET COVER IGNITION 0/000.490.9119 (u. 1) 	
29	<ul style="list-style-type: none"> NUT WASHER 6mm DIN 6923 ZINC 8 0/000.340.9116 (u. 1) 	
30	<ul style="list-style-type: none"> WASHER 6x12x1.5 DIN 125 ZINC 0/000.440.9124 (u. 1) 	
31	<ul style="list-style-type: none"> COVER STARTER ELECTRIC EC 2018 0/000.220.9119 (u. 1) 	
32	<ul style="list-style-type: none"> ALLEN BOLT 6X45 DIN 912 ZINC 12.9 0/000.460.9149 (u. 1) 	
33	<ul style="list-style-type: none"> 6X40 SPECIAL SCREW DIN 912 ZINC 12.9 0/000.460.9148 (u. 1) 	
	<ul style="list-style-type: none"> HEAD SCREW 6x50 DIN 6921 GEOMET 10.9 0/000.460.9126 (u. 1) 	OBSOLETE
34	<ul style="list-style-type: none"> TORN.ESP. DIN 6921 Hex.8 TX30 M6x50 Fil.20 Cal.10.9 GEOMET 0/000.460.9186 (u. 1) 	
	<ul style="list-style-type: none"> TORN.ESP. DIN 6921 Hex.8 TX30 M6x50 Fil.20 Cal.10.9 GEOMET 0/000.460.9186 (u. 1) 	
35	<ul style="list-style-type: none"> STARTER MOTOR BRUSHES EE80010GG-CBR-1 (u. 1) 	
37	<ul style="list-style-type: none"> Fiber Washer, 6X10X1.5 0/000.440.9123 (u. 1) 	
38	<ul style="list-style-type: none"> CRANKCASE VENT NIPPLE D.3 0/000.630.9105 (u. 1) 	
39	<ul style="list-style-type: none"> TUBO COPOLAN-NBR-NVC Ø5 x Ø9 x 450 0/000.290.9126 (u. 1) 	

CRANKSHAFT



1	<ul style="list-style-type: none"> ● CRANKSHAFT EC200-2014 0/005.380.9102 (u. 1) - <i>MOTOR 200cc</i>
	<ul style="list-style-type: none"> ● SET CRANKSHAFT ENDURO 2018 0/005.380.9100 (u. 1)
2	<ul style="list-style-type: none"> ● Piston Pin Bearing Pro ME25616035 (u. 1)
3	<ul style="list-style-type: none"> ● CONECTING ROD ENDURO 250 ME25612100 (u. 1)
4	<ul style="list-style-type: none"> ● LEFT SIDE CRANK SHAFT SEAL 0/000.890.9103 (u. 1)
5	<ul style="list-style-type: none"> ● BRG. CRANKSHAFT LEFT 6206- TN9/C4 0/000.960.9115 (u. 1)
6	<ul style="list-style-type: none"> ● FLYWHEEL KEY 3x3.7xD10 TXT DIN 6888 0/005.490.9102 (u. 1)
7	<ul style="list-style-type: none"> ● CRANKSHAFT KEY (DIAM 16X5X6.5) DIN 6888 0/005.490.9100 (u. 1)
8	<ul style="list-style-type: none"> ● BRG. CRANKSHAFT RIGHT 63/28-HN3/C3 GXN 0/000.960.9116 (u. 1)
9	<ul style="list-style-type: none"> ● CRANK SEAL TB2J 38-52 7 0/000.890.9102 (u. 1)
10	<ul style="list-style-type: none"> ● COUNTERWEIGHT NYLON EC250300 0/005.075.9101 (u. 1) - <i>250-300 cc</i>
	<ul style="list-style-type: none"> ● COUNTERWEIGHT NYLON EC200 0/005.075.9100 (u. 1) - <i>200 cc</i>

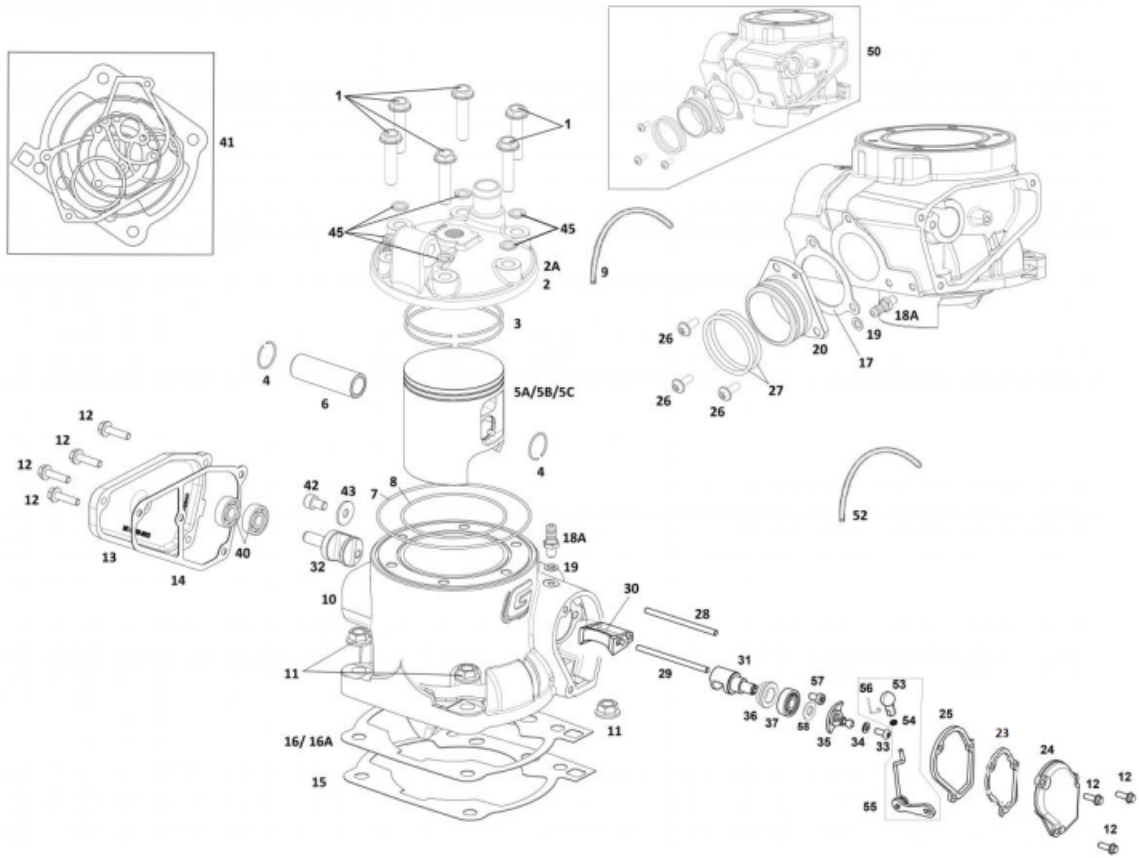
CLUTCH



1	<ul style="list-style-type: none"> ● CLUTCH 2T BELL WASHER 0/000.440.9106 (u. 2) 	
2	<ul style="list-style-type: none"> ● CLUTCH BOSS WASHER ME20932009 (u. 1) 	
3	<ul style="list-style-type: none"> ● SILENTBLOCK ME20932008 (u. 8) 	OBSELETE
4	<ul style="list-style-type: none"> ● PRIMARY DRIVEN GEAR RIVETS ME250132010 (u. 8) 	
5	<ul style="list-style-type: none"> ● COMPLETE CLUTCH BASKE-GEAR EC 0/005.400.9104 (u. 1) ● PRIMARY DRIVEN GEAR SET EC200 0/005.400.9103 (u. 1) 	
6	<ul style="list-style-type: none"> ● PRIMARY DRIVEN GEAR BEARING 0/000.980.9113 (u. 2) 	
7	<ul style="list-style-type: none"> ● PRIMARY DRIVEN GEAR BUSHING 0/000.480.9121 (u. 1) 	
8	<ul style="list-style-type: none"> ● CLUTCH BOSS ENDURO 2018 ME22005GG-CLJ-1 (u. 1) 	
9	<ul style="list-style-type: none"> ● CLUTCH LOCK WASHER ENDURO 2018 0/000.440.9104 (u. 1) 	
10	<ul style="list-style-type: none"> ● CLUTCH BOSS NUT 0/000.340.9107 (u. 1) 	
11	<ul style="list-style-type: none"> ● CLUTCH ROD 0/000.190.9105 (u. 1) 	
12	<ul style="list-style-type: none"> ● IRON CLUTCH DISK ME22105GG-CLJ-1 (u. 7) 	
13	<ul style="list-style-type: none"> ● COVERED CLUTCH DISK ME25632007 (u. 8) ● COVERED CLUTCH DISK ME22100GG-CLJ-1 (u. 8) - <i>MEJOR CALIDAD</i> 	

14	<ul style="list-style-type: none"> CLUTCH PRESSURE PLATE BUSHING 0/000.480.9120 (u. 1)
15	<ul style="list-style-type: none"> NEEDLES BEARING AXK 1528 0/000.960.9109 (u. 1)
16	<ul style="list-style-type: none"> BEARING WASHER 0/000.440.9107 (u. 1)
17	<ul style="list-style-type: none"> CLUTCH PRESSURE RING (DIN7993Ø14X1) 0/000.300.9102 (u. 1)
18	<ul style="list-style-type: none"> PRESSURE PLATE BEARING ME23000GG-CLJ-1 (u. 1)
19	<ul style="list-style-type: none"> SRPING CLUTCH EC 2018 ME22025GG-CLJ-1 (u. 6)
20	<ul style="list-style-type: none"> CASQ.MUELLE EMBR. EC-2018 ME22020GG-CLJ-1 (u. 6)
21	<ul style="list-style-type: none"> Allen Bolt 6x25 (clutch cover) T0306025 (u. 6)
22	<ul style="list-style-type: none"> WASHER DIN 125 D-20 ZINC 40-42HRC 0/000.440.9108 (u. 1)
23	<ul style="list-style-type: none"> CRANK SHAFT PINION LOCKING NUT EC 0/000.340.9106 (u. 1)
24	<ul style="list-style-type: none"> PRIMARY CLUTCH GEAR ORING (Ø23*5 NBR) 0/000.490.9106 (u. 1)
25	<ul style="list-style-type: none"> CRANK SHAFT BUSHING EC200 0/000.480.9127 (u. 1)
26	<ul style="list-style-type: none"> SPECIAL SCREW 12X25X125 12.9 GEOMET 0/000.460.9114 (u. 1)
27	<ul style="list-style-type: none"> SET BASKET CLUTCHENDURO 2018 0/005.350.9100 (u. 1)

CYLINDER

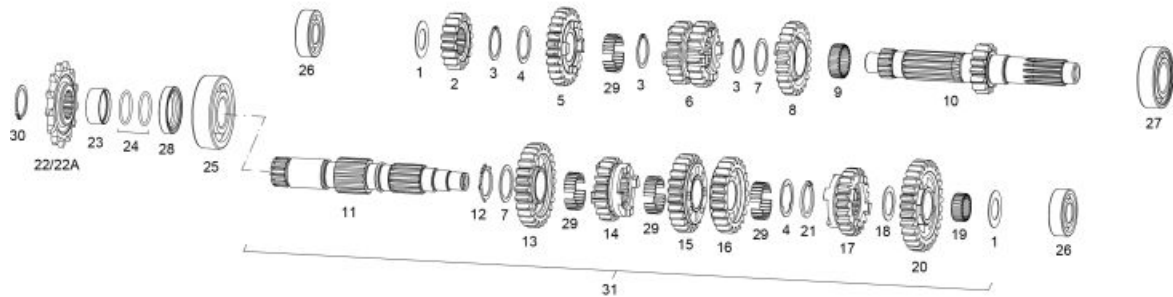


1	<ul style="list-style-type: none"> HEAD SCREW 8x35 DELTA PROTEK 10.9 0/000.460.9130 (u. 6)
2	<ul style="list-style-type: none"> HEAD CIL. ENDURO 200 2018 0/005.770.9102 (u. 1) CYLINDER HEAD EC 250 2018 0/005.770.9101 (u. 1) CYLINDER HEAD EC/XC 300 0/005.770.9100 (u. 1)
3	<ul style="list-style-type: none"> PISTON RINGS SET EC300 ME30916040 (u. 1) - 300cc PISTON RINGS SET EC250 ME25616040 (u. 1) - 250cc
4	<ul style="list-style-type: none"> PISTON PIN CLIPS ME25616126 (u. 2)
5C	<ul style="list-style-type: none"> PISTON 300CC C ME30916122R (u. 1) - 300cc C TYPE PISTON EC250 ME25616122R (u. 1) - 250cc
5B	<ul style="list-style-type: none"> B TYPE PISTON EC250 ME25616121R (u. 1) - 250cc B TYPE PISTON EC300 ME300416121 (u. 1) - 300cc
5A	<ul style="list-style-type: none"> PISTON (A) EC250 ME25616020R (u. 1) - 250cc PISTON (A) EC300 ME300416020 (u. 1) - 300cc
6	<ul style="list-style-type: none"> PISTON PIN EC250 ME25616125 (u. 1)

7	<ul style="list-style-type: none"> OUTER CYLINDER HEAD OÆRING 0/000.490.9109 (u. 1)
8	<ul style="list-style-type: none"> INNER CYLINDER HEAD OÆRING 75.92X1 0/000.490.9111 (u. 1)
	<ul style="list-style-type: none"> INNER CYLINDER HEAD OÆRING EC200 0/000.490.9110 (u. 1)
9	<ul style="list-style-type: none"> CARTER BREATH TUBE (55cm) ME25610022 (u. 1)
9A	<ul style="list-style-type: none"> SET TUBE SVAPORIZADOR BLOW BY ENDURO 2018 0/000.290.9106 (u. 1)
11	<ul style="list-style-type: none"> CYLINDER BASE NUT 8.8 10X1.5 ZINC 0/000.340.9105 (u. 4)
12	<ul style="list-style-type: none"> SPECIAL SCREW 12X25X125 12.9 GEOMET 0/000.460.9114 (u. 1)
	<ul style="list-style-type: none"> HEAD SCREW 5x15 DIN 6921 GEOMET 10.9 0/000.460.9115 (u. 7)
13	<ul style="list-style-type: none"> TAPA VALVULA IZQ. MR EDICION LIMITADA 0/000.350.9111 (u. 1)
14	<ul style="list-style-type: none"> GASKET LT. VALVE COVER EC 2013 0/000.490.9113 (u. 1)
15	<ul style="list-style-type: none"> CYLINDER GASKET 015 ME25644010 (u. 1)
16A	<ul style="list-style-type: none"> CYLINDER GASKET 03 ME25644009 (u. 1)
16	<ul style="list-style-type: none"> CYLINDER GASKET EC 0/000.490.9112 (u. 1)
17	<ul style="list-style-type: none"> EXHAUST GASKET ME25644012 (u. 1)
18A	<ul style="list-style-type: none"> CRANKCASE VENT NIPPLE D.3 0/000.630.9105 (u. 2)
19	<ul style="list-style-type: none"> Fiber Washer, 6X10X1.5 0/000.440.9123 (u. 2)
20	<ul style="list-style-type: none"> ALUMINIUM EXHAUST PIPE ME250516019 (u. 1)
23	<ul style="list-style-type: none"> JUNTA TAPA VALVULA RH MR 0/000.490.9124 (u. 2)
24	<ul style="list-style-type: none"> RIGHT VALVE COVER EC 0/000.350.9108 (u. 1)
25	<ul style="list-style-type: none"> SEPARADOR TAPA VALVULA RH MR 0/000.480.9133 (u. 1)
26	<ul style="list-style-type: none"> TORX ULS SCREW 6X14 T0566014 (u. 3)
27	<ul style="list-style-type: none"> Exhaust Oring Pampera BE250526006 (u. 2)
28	<ul style="list-style-type: none"> LONG EXHAUST VALVE AXIS 93MM ME25616027 (u. 1)
29	<ul style="list-style-type: none"> HORT EXHAUST VALVE AXIS 83MM ME25616017 (u. 1)
30	<ul style="list-style-type: none"> CENTRAL EXHAUST VALVE ENDURO 250 2018 ME72005GG-CLK-1 (u. 1)
31	<ul style="list-style-type: none"> RIGHT EXHAUST VALVE ENDURO 250 2018 ME72000GG-CLK-1 (u. 1)
32	<ul style="list-style-type: none"> LEFT EXHAUST VALVE ENDURO 250 2018 ME72010GG-CLK-1 (u. 1)
33	<ul style="list-style-type: none"> SCREW ISO 7380 Allen M5x10 Cal.10.9 Zinc Plated 0/000.460.2000 (u. 1)

34	<ul style="list-style-type: none"> ● WASHER 5x12x1.5 DIN 125A ZINC 0/000.440.9121 (u. 1)
35	<ul style="list-style-type: none"> ● SET LEVER VALV.EXHAUST EC 2015 0/000.640.9103 (u. 1)
36	<ul style="list-style-type: none"> ● EXHAUST VALVE BEARING SPACER ME25616036 (u. 1)
37	<ul style="list-style-type: none"> ● BEARING 6000 C3Z=M03313001 0/000.960.9107 (u. 1)
40	<ul style="list-style-type: none"> ● 508Z BEARING 0/000.960.9108 (u. 2)
41	<ul style="list-style-type: none"> ● JOINT CYLINDER CYLINDER HEAD MEETINGS ME94620CT-CAB-1 (u. 1) - 300cc
	<ul style="list-style-type: none"> ● GASKET SET, CYL. AND HEAD. 250cc ME94620CT-BZX-1 (u. 1)
43	<ul style="list-style-type: none"> ● WASHER 6x18x1.5 ZINC 0/000.440.9126 (u. 1)
44	<ul style="list-style-type: none"> ● WASHER 6x12x1.5 DIN 125 ZINC 0/000.440.9124 (u. 1)
45	<ul style="list-style-type: none"> ● COOPER WASHER 8.5x16x1.5 DIN 125 A ISO 7090 0/000.440.9130 (u. 6)
50	<ul style="list-style-type: none"> ● KIT CILINDRO COMPLETO ENDURO 300 2018 0/R05.190.9100 (u. 1)
	<ul style="list-style-type: none"> ● KIT CILINDRO COMPLETO ENDURO 200 2019 0/R05.190.9102 (u. 1)
	<ul style="list-style-type: none"> ● KIT CILINDRO COMPLETO ENDURO 250 2018 0/R05.190.9101 (u. 1)
51	<ul style="list-style-type: none"> ● HEAD BOLT WASHE 6x10x1.5 0/000.440.9122 (u. 2)
52	<ul style="list-style-type: none"> ● VALVE TUBE BE733001209 (u. 1)
52a	<ul style="list-style-type: none"> ● SET TUBE SVAPORIZADOR BLOW BY ENDURO 2018 0/000.290.9106 (u. 1)
53	<ul style="list-style-type: none"> ● SET PUSHER VALV.EXHAUST COMPLETE EC 2015 0/000.640.9104 (u. 1)
55	<ul style="list-style-type: none"> ● SET PUSHER VALV.EXHAUST COMPLETE EC 2015 0/000.640.9104 (u. 1)
56	<ul style="list-style-type: none"> ● CLIP SECURITY BALL-JOINT 0/000.840.9103 (u. 1)
58	<ul style="list-style-type: none"> ● BUSH SEPARADOR BRG. VALV.ESCAPE 0/000.480.9124 (u. 1)

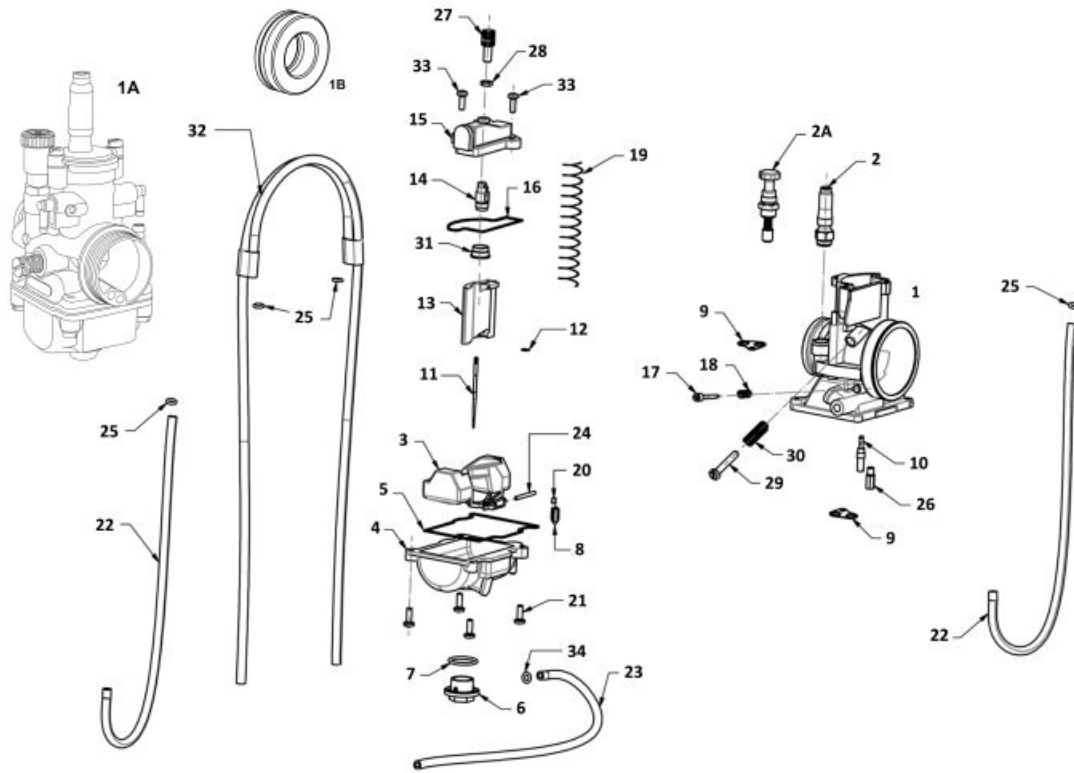
CHANGE ASSEMBLY



1	<ul style="list-style-type: none"> SHIFT WASHER 18X315X07 ME25636014 (u. 2) 	
2	<ul style="list-style-type: none"> PRIMARY II PINION ME25636071 (u. 1) 	
3	<ul style="list-style-type: none"> CIRCLIP D.25 DIN 471 0/000.300.9107 (u. 3) 	
4	<ul style="list-style-type: none"> 315X(25X22)X1 GROOVING WASHER ME25636091 (u. 2) 	
5	<ul style="list-style-type: none"> PRIMARY VI PINION ME25636074 (u. 1) 	
6	<ul style="list-style-type: none"> PRIMARY III AND IV PINION ME25636072 (u. 1) 	
7	<ul style="list-style-type: none"> 252X315X1 GEAR WASHER ME25636017 (u. 2) 	
8	<ul style="list-style-type: none"> PRIMARY V PINION ME25636073 (u. 1) 	
9	<ul style="list-style-type: none"> KICKSTART GEAR BEARING K25-29-10 0/000.960.9104 (u. 1) 	
10	<ul style="list-style-type: none"> AXLE PRIMARY EC 250-2002 ME250236070 (u. 1) 	OBSOLETE
11	<ul style="list-style-type: none"> SECONDARY AXIS ME410002508 (u. 1) 	
12	<ul style="list-style-type: none"> DIN 983 CIRCLIP ME25636095 (u. 1) 	
13	<ul style="list-style-type: none"> PINION SECONDARY II 7-26 ME42211GG-CSK-1 (u. 1) 	
14	<ul style="list-style-type: none"> SECONDARY VI PINION Z-19 ME42215GG-CSK-1 (u. 1) 	
15	<ul style="list-style-type: none"> SECONDARY III PINION ME42212GG-CSK-1 (u. 1) 	
16	<ul style="list-style-type: none"> SECONDARY IV PINION ME42213GG-CSK-1 (u. 1) 	
17	<ul style="list-style-type: none"> SECONDARY V PINION ME42214GG-CSK-1 (u. 1) 	
18	<ul style="list-style-type: none"> 208X29X1 GEAR WASHER ME25636016 (u. 1) 	
19	<ul style="list-style-type: none"> K20X24X10 NEEDLES BEARING 0/000.960.9114 (u. 1) 	

20	<ul style="list-style-type: none"> ● SECONDARY I PINION ME42210GG-CSK-1 (u. 1)
21	<ul style="list-style-type: none"> ● CIRCLIP D.25 DIN 471 REBAIXAD D.2 SE03025200009 (u. 1)
22	<ul style="list-style-type: none"> ● Z13 EXIT PINION 0/005.400.9112 (u. 1)
22A	<ul style="list-style-type: none"> ● OUTER SPROCKET Z12 0/005.400.9113 (u. 1)
23	<ul style="list-style-type: none"> ● SEAL BUSHING 0/000.260.9100 (u. 1)
24	<ul style="list-style-type: none"> ● SHAFT O'RING 25x2 0/000.490.9107 (u. 2)
25	<ul style="list-style-type: none"> ● SHIFT BEARING 6305 C3 0/000.960.9113 (u. 1)
26	<ul style="list-style-type: none"> ● SHIFT BEARING 6203C3 0/000.960.9112 (u. 2)
27	<ul style="list-style-type: none"> ● SHIFT BEARING 6205ZC3E 0/000.960.9106 (u. 1)
28	<ul style="list-style-type: none"> ● COUNTERSHAFT SEAL 30x40x7 0/000.890.9106 (u. 1)
29	<ul style="list-style-type: none"> ● KD22X25X98 NEEDLES BEARING 0/005.150.9101 (u. 4)
30	<ul style="list-style-type: none"> ● CIRCLIP D.25 DIN 471 0/000.300.9107 (u. 1)
31	<ul style="list-style-type: none"> ● SHIFT GEAR SET 0/005.400.9107 (u. 1)

CARBURETOR

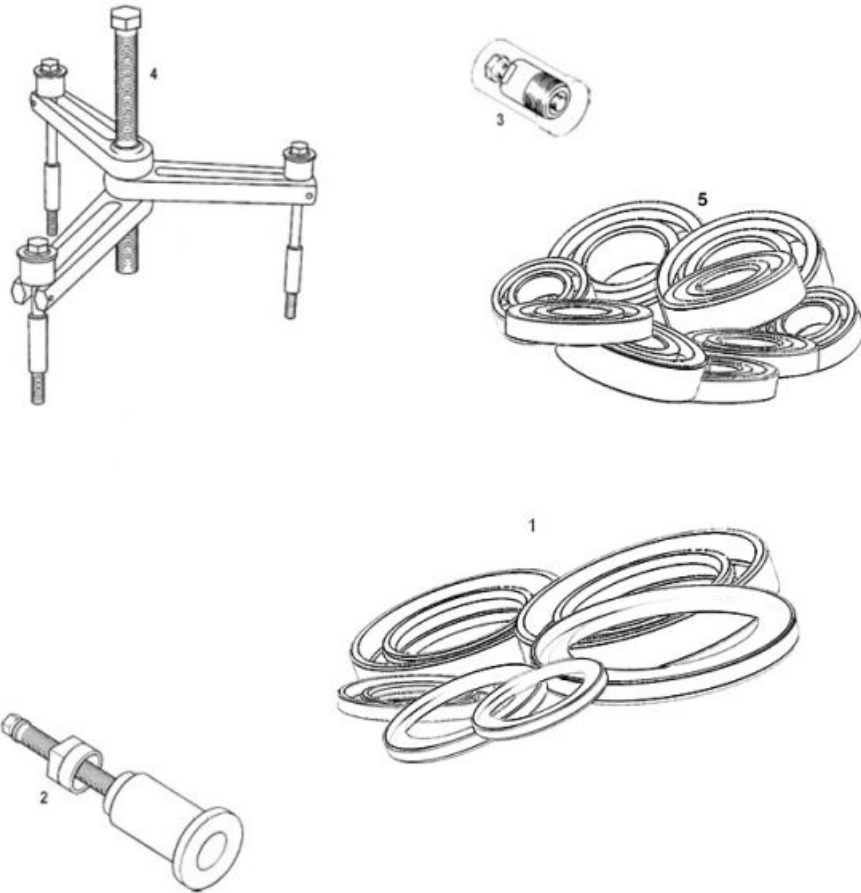


1	<ul style="list-style-type: none"> KEIHIN PWKS DIAM.38 CARBURETTOR 0/005.155.9100 (u. 1)
1A	<ul style="list-style-type: none"> CARBURADOR PHBG 21 DS ENDURO 73/33 CAMPANA 40 0/005.155.9103 (u. 1)
1B	<ul style="list-style-type: none"> ADAPTOR CARBURATORLL ORTO ENDURO 2018 0/005.150.9102 (u. 1)
2A	<ul style="list-style-type: none"> COLD STARTER KNOB SET ME25690011 (u. 1)
2	<ul style="list-style-type: none"> CHOKE KNOB ME25000173012 (u. 1)
3	<ul style="list-style-type: none"> BOYA FLOATER 1052-856-2101 ME25000183012 (u. 1)
4	<ul style="list-style-type: none"> CUBETA FLOATER 1050-898-2102 ME25000193012 (u. 1)
5	<ul style="list-style-type: none"> SEAL CUBETA FLOATER 1051-KZ40-0001 ME25000203012 (u. 1)
6	<ul style="list-style-type: none"> FLOAT BODY DRAIN CAP ME25690015 (u. 1)
8	<ul style="list-style-type: none"> AGUJA FLOTADOR 1062-814-2103 ME25000213012 (u. 1)
10	<ul style="list-style-type: none"> SLOW JET #40 0/005.991.9107 (u. 1)
10A	<ul style="list-style-type: none"> CHICLE RALENTI 45 0/005.991.9103 (u. 1)
10B	<ul style="list-style-type: none"> SLOW JET #42 (N424-21042) 0/005.991.9105 (u. 1)
11C	<ul style="list-style-type: none"> NOZZLE NOZH N427-OZH00 ME120690435 (u. 1)
11B	<ul style="list-style-type: none"> NEEDLE N1EG ME250290428 (u. 1)

11	<ul style="list-style-type: none"> KEIHIN N1EF NEEDLE 0/005.150.9100 (u. 1)
11A	<ul style="list-style-type: none"> NEEDLE N1EE ME250290427 (u. 1)
12	<ul style="list-style-type: none"> NEEDLE CLIP ME25690021 (u. 1)
13	<ul style="list-style-type: none"> COMPUERTA N°6 KEIHIN 0/005.150.9105 (u. 1) - 200cc
	<ul style="list-style-type: none"> VALVE N°7 N502-66F00 0/005.150.9103 (u. 1)
14	<ul style="list-style-type: none"> NEEDLE HOLDER ME25690023 (u. 1)
15	<ul style="list-style-type: none"> TAP COMP. 1030-A92A-0000 ME25000243012 (u. 1)
16	<ul style="list-style-type: none"> GASKET O'RING TAP. COMPU. 1202-882-6000 ME25000253012 (u. 1)
17	<ul style="list-style-type: none"> VISS. REGULATION ME25000263012 (u. 1)
18	<ul style="list-style-type: none"> MUELLE TORN.REGUL.AIRE 1300-416H-9900 ME25000273012 (u. 1)
19	<ul style="list-style-type: none"> SPRING VALVE 1290-A53-2000 ME25000283012 (u. 1)
20	<ul style="list-style-type: none"> FLOAT CLIP ME25690027 (u. 1)
21	<ul style="list-style-type: none"> TORN.CUBETA 93500-04014-1H ME25000293012 (u. 4)
22	<ul style="list-style-type: none"> TUBO RESPIRADERO 0803-868-0000 ME25000303012 (u. 2)
23	<ul style="list-style-type: none"> TUBO RESPIRADERO-2 0803-869-0000 ME25000313012 (u. 1)
24	<ul style="list-style-type: none"> FLOAT AXLE ME25690033 (u. 1)
25	<ul style="list-style-type: none"> CLIP ME25690034 (u. 4)
26	<ul style="list-style-type: none"> MAIN JET #175 (99101-357-1750) 0/005.991.9104 (u. 1)
	<ul style="list-style-type: none"> MAIN JET #170 0/005.991.9106 (u. 1)
27	<ul style="list-style-type: none"> TENSOR CABLE W9581-59250 ME25000323012 (u. 1)
28	<ul style="list-style-type: none"> NUT TENSOR CABLE 1793-130H-9900 ME25000333012 (u. 1)
29	<ul style="list-style-type: none"> SLOW JET ADJUSTING BOLT ME25690038 (u. 1)
30	<ul style="list-style-type: none"> ADJUSTING BOLT SPRING ME25690039 (u. 1)
31	<ul style="list-style-type: none"> CARBURETOR COVER SPRING BUSHING ME25690040 (u. 1)
32	<ul style="list-style-type: none"> TUBE VENTILACIÒN 0803-862-0100 ME25000343012 (u. 1)
33	<ul style="list-style-type: none"> VISS. TAP COMP. ME25000353012 (u. 2)
34	<ul style="list-style-type: none"> CLIP TUBO RESPIRADERO-2 W9535-25000 ME25000363012 (u. 1)
35	<ul style="list-style-type: none"> STOP THROTTLE CABLE ME250690010 (u. 1)

OBSOLETE

ENGINE TOOLS



1	<ul style="list-style-type: none"> ● SET SEAL EC 250-300 ME906002510 (u. 1) 	
2	<ul style="list-style-type: none"> ● EXTRACTOR COJINETE CIGUEÑAL ME25950000 (u. 1) 	OBSOLETE
3	<ul style="list-style-type: none"> ● Flywheel Puller Pro MT280234045 (u. 1) 	
4	<ul style="list-style-type: none"> ● EXTRACTOR CARTER ME25950005 (u. 1) 	OBSOLETE
5	<ul style="list-style-type: none"> ● KIT COJINETES MOTOR EC 250 300 2018 ME90500CT-CLJ-1 (u. 1) 	