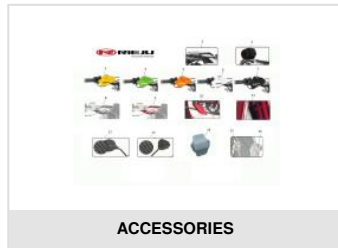
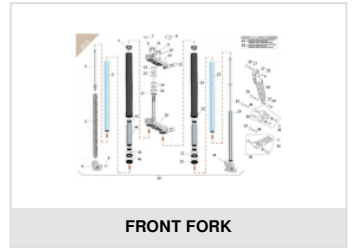
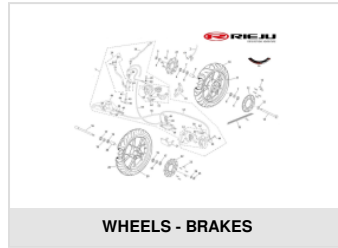
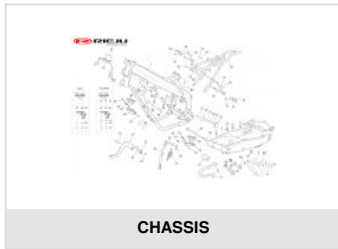


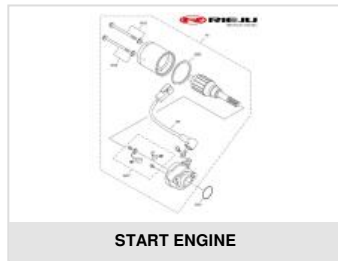
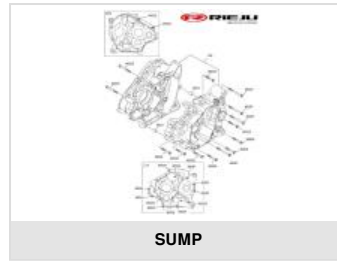
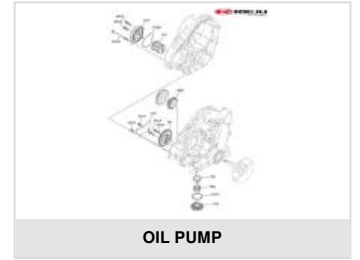
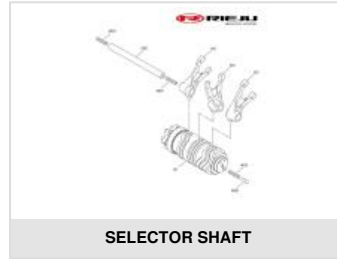


MARATHON 125 PRO SM E5 WHITE 2022

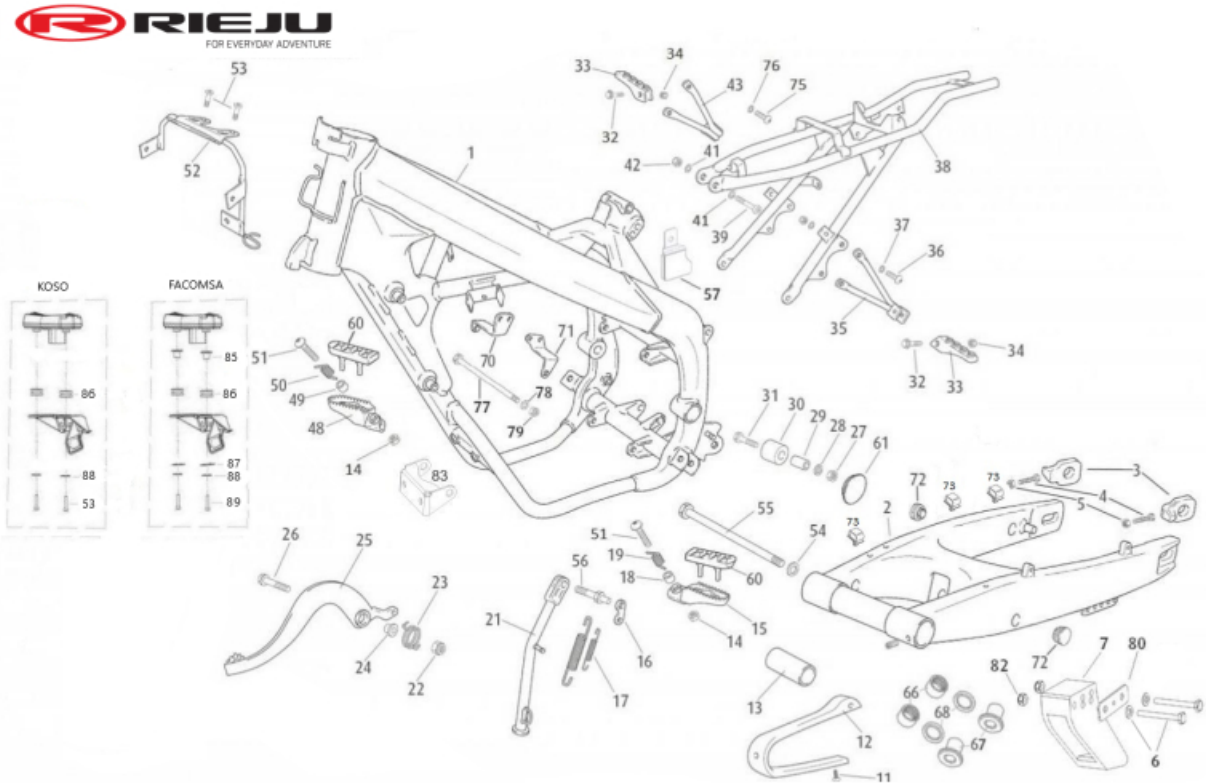
Exploded



WR125 E5



CHASSIS



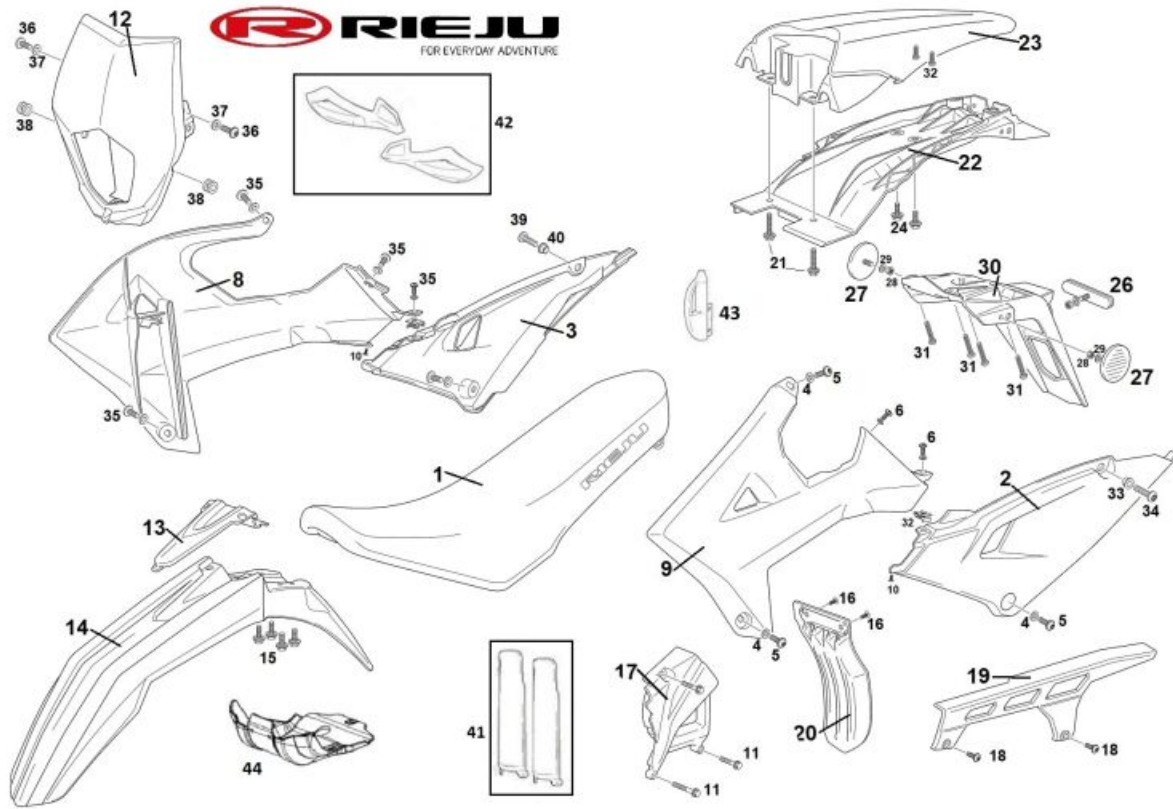
1	<ul style="list-style-type: none"> ● CHAVIS MRT 125 PRO EURO5 0/000.010.5015 (u. 1)
2	<ul style="list-style-type: none"> ● TAPON BASCULANTE ALUMINIO v.2 NEGRO 0/000.410.5008 (u. 1) ● BASCULANTE ALUMINIO MRT v.2 0/000.020.5219 (u. 1)
3	<ul style="list-style-type: none"> ● WHEEL TENSOR 0/000.380.5212 (u. 2)
4	<ul style="list-style-type: none"> ● WHEEL TENSOR BOLT 0/000.460.0636 (u. 2)
5	<ul style="list-style-type: none"> ● WHEEL TENSOR NUT 0/000.340.0140 (u. 2)
6	<ul style="list-style-type: none"> ● TORNILLO ISO 7380 Torx T-30 con arandela M6x50 INOX 0/000.460.0040 (u. 2)
7	<ul style="list-style-type: none"> ● CHAIN GUIDE 2018 0/000.710.0302 (u. 1)
11	<ul style="list-style-type: none"> ● CHAIN SLIDER PLATE THREAD SCREW 0/000.460.0745 (u. 2)
12	<ul style="list-style-type: none"> ● RUBBER SKATE CHAIN MRX/SMX 0/000.360.5001 (u. 1)
13	<ul style="list-style-type: none"> ● SWING ARM SHAFT GUIDE BUSHING 0/000.480.5037 (u. 1)
14	<ul style="list-style-type: none"> ● SHOCK ABSORBER BOLT NUT 0/000.340.0182 (u. 2)
15	<ul style="list-style-type: none"> ● LEFT-HAND RIDER FOOTREST 0/000.740.0310 (u. 1)
16	<ul style="list-style-type: none"> ● PADDOCK STAND BOLT PIN 0/000.980.5102 (u. 1)
17	<ul style="list-style-type: none"> ● STAND SPRING TANGO 0/000.470.8000 (u. 1)

18	<ul style="list-style-type: none"> INNER RIGHT-HAND RIDER FOOTREST BUSHING 0/000.480.0215 (u. 1) 	
19	<ul style="list-style-type: none"> INNER FOOTREST SPRING 0/000.470.5002 (u. 1) 	
21	<ul style="list-style-type: none"> SIDESTAND TANGO 0/000.210.8000 (u. 1) 	
22	<ul style="list-style-type: none"> SILENTBLOC ATTACHMENT NUT 0/000.340.0181 (u. 1) 	
23	<ul style="list-style-type: none"> BRAKE LEVER SPRING 0/000.470.5011 (u. 1) 	
24	<ul style="list-style-type: none"> INNER BRAKE LEVER BUSHING 0/000.260.5001 (u. 1) 	
25	<ul style="list-style-type: none"> REAR BRAKE PEDAL 0/000.730.6002 (u. 1) 	
26	<ul style="list-style-type: none"> BRAKE PEDAL BOLT 0/000.460.0491 (u. 1) 	OBSELETE
	<ul style="list-style-type: none"> TORNILLO DIN 6921 M8x60 Cal.8.8 Z/BLANCO 0/000.460.0493 (u. 1) 	
27	<ul style="list-style-type: none"> SILENTBLOC ATTACHMENT NUT 0/000.340.0181 (u. 1) 	
28	<ul style="list-style-type: none"> ROLLER WASHER 0/000.440.0161 (u. 1) 	
29	<ul style="list-style-type: none"> CHAIN ROLLER INNER BUSHING 0/000.480.0645 (u. 1) 	
30	<ul style="list-style-type: none"> RUBBER ROLLER CHAIN GUIDE 0/000.360.0792 (u. 1) 	
31	<ul style="list-style-type: none"> CHAIN ROLLER ATTACHMENT BOLT 0/000.460.0673 (u. 1) 	
32	<ul style="list-style-type: none"> SCREW DIN 6921 M6X35 0/000.460.0622 (u. 2) 	
33	<ul style="list-style-type: none"> PASSENGER FOOTREST (IRON) 0/000.740.0330 (u. 2) 	
34	<ul style="list-style-type: none"> PASSENGER FOOTREST NUT 0/000.340.0170 (u. 2) 	
35	<ul style="list-style-type: none"> PASSENGER LH FOOTREST SUPPORT 0/000.980.5108 (u. 1) 	
36	<ul style="list-style-type: none"> DRIVE PLATE BOLT 0/000.460.0670 (u. 2) 	
37	<ul style="list-style-type: none"> SILENTBLOC ATTACHMENT NUT 0/000.340.0181 (u. 2) 	
38	<ul style="list-style-type: none"> SUBCHASIS MRT EURO5 CON REMACHES 0/K00.010.5017 (u. 1) 	
39	<ul style="list-style-type: none"> SCREW TORNILLO DIN 912 Allen M10x80 Cal.8.8 ZINC PLATED 0/000.460.6215 (u. 1) 	
41	<ul style="list-style-type: none"> REAR CHASSIS ATTACHMENT WASHER 0/000.440.0160 (u. 2) 	
42	<ul style="list-style-type: none"> REAR CHASSIS ATTACHMENT NUT 0/000.340.0187 (u. 1) 	
43	<ul style="list-style-type: none"> SOPORTE ESTRIBERA RH MRT v.2 0/000.980.5125 (u. 1) 	
48	<ul style="list-style-type: none"> RIGHT-HAND RIDER FOOTREST 0/000.740.0300 (u. 1) 	
49	<ul style="list-style-type: none"> INNER RIGHT-HAND RIDER FOOTREST BUSHING 0/000.480.0215 (u. 1) 	
50	<ul style="list-style-type: none"> RIDER FOOTREST SPRING 0/000.470.5001 (u. 1) 	

51	<ul style="list-style-type: none"> RIDER FOOTREST BOLT 0/000.460.5100 (u. 2)
52	<ul style="list-style-type: none"> SOPORTE FARO Y CTAKMS EVEREST MRT PRO R16V 0/000.980.5037F (u. 1)
53	<ul style="list-style-type: none"> TORNILLO ISO 7380 Torx T-25 con arandela M5x16 INOX 0/000.460.0083 (u. 2)
	<ul style="list-style-type: none"> INDICATOR ATTACHMENT BOLT 0/000.460.1170 (u. 2)
54	<ul style="list-style-type: none"> SWING ARM SHAFT WASHER 0/000.440.0123 (u. 1)
55	<ul style="list-style-type: none"> SWING ARM AXLE TANGO 0/000.190.8001 (u. 1)
56	<ul style="list-style-type: none"> PADDOCK STAND SPECIAL BOLT 0/000.460.8000 (u. 1)
57	<ul style="list-style-type: none"> KIT SOPORTE LATIGUILLOS MARATHON 125 EURO 4 0/K00.220.5000 (u. 1)
60	<ul style="list-style-type: none"> RUBBER FOOT PROTECTOR 0/000.360.5006 (u. 2)
61	<ul style="list-style-type: none"> PLASTIC STOPPER 0/000.410.0361 (u. 1)
66	<ul style="list-style-type: none"> NEEDLE ROLLER BEARING HK2220 0/000.960.0511 (u. 2)
67	<ul style="list-style-type: none"> TILTED SEPARATOR 0/000.260.5002 (u. 2)
68	<ul style="list-style-type: none"> SEAL BEARING 0/000.890.5004 (u. 2)
70	<ul style="list-style-type: none"> SOPORTE CULATA RH MRT 125 PRO E5 0/000.980.5118 (u. 1)
71	<ul style="list-style-type: none"> SOPORTE CULATA LH MRT 125 PRO E5 0/000.980.5119 (u. 1)
72	<ul style="list-style-type: none"> SWING ARM MRT PRO CAP 0/000.410.0360 (u. 6)
73	<ul style="list-style-type: none"> GRAPA FIJ. CABLES BASCULANTE MRT PRO 0/000.630.5002 (u. 3)
75	<ul style="list-style-type: none"> SCREW DIN 6921 M8x30 Cal.8.8 ZINC PLATED 0/000.460.0671 (u. 1)
76	<ul style="list-style-type: none"> SEPARATOR 0/000.480.5018 (u. 1)
77	<ul style="list-style-type: none"> FIXING SCREW FOR INTERIOR MOUNTING PLATE 118X65 0/000.460.0492 (u. 1)
78	<ul style="list-style-type: none"> SEPARATOR 0/000.480.5018 (u. 1)
79	<ul style="list-style-type: none"> (5 UNIT BAG) NUT DIN 6926 M10 Cal.8 Z / WHITE 0/000.340.0182B (u. 1)
80	<ul style="list-style-type: none"> MARATHON 125 PRO E4 CHAIN SLIDER BRACKET 0/000.980.6026 (u. 1)
82	<ul style="list-style-type: none"> AUTOBLOC NUT M6/DIN 985/JS500 0/000.340.0169 (u. 2)
83	<ul style="list-style-type: none"> MOTOR SUPPORT MRT 125 PRO 0/000.980.6116 (u. 1)
85	<ul style="list-style-type: none"> CASQUILLO Ø7x1,5x9,5 0/000.480.5064 (u. 2)
86	<ul style="list-style-type: none"> GOMA SOPORTE FARO 0/000.360.0491 (u. 2)
87	<ul style="list-style-type: none"> WASHER DIN 9021 M4 0/000.440.0021 (u. 2)

88	• ARANDELA SCHNORR M4 INOX 0/000.440.0043 (u. 2)
89	• SCREW DIN 912 Allen M4x16 Cal.8.8 Z/BLANCO 0/000.460.0204 (u. 2)

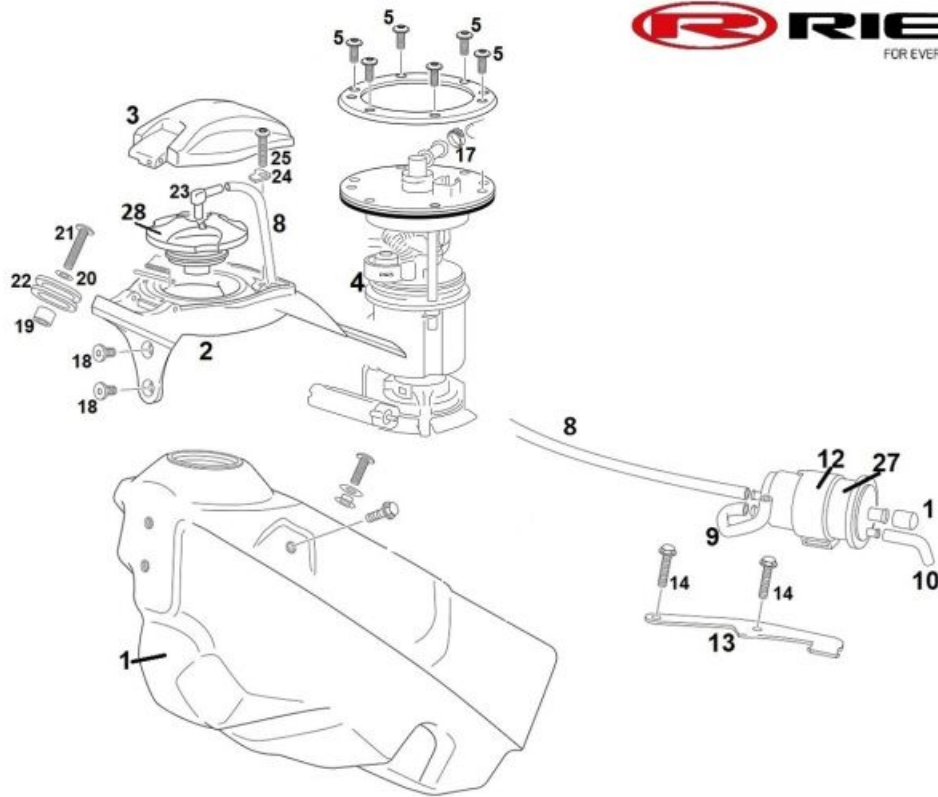
FAIRINGS



1	<ul style="list-style-type: none"> COMPLETE SEAT MRT PRO BLACK 0/000.040.5356 (u. 1)
2	<ul style="list-style-type: none"> TAPA LATERAL IZQ BLANCO INY MRT 2021 CON CALCA 390.5361 0/R00.570.5325 (u. 1)
3	<ul style="list-style-type: none"> TAPA LATERAL DCHA BLANCO INY MRT 2021 CON CALCA 390.5361 0/R00.570.5324 (u. 1)
8	<ul style="list-style-type: none"> TAPA RADIADOR DCHA BLANCO INY MRT 2021 CON CALCA 390.5361 0/R00.570.5322 (u. 1)
9	<ul style="list-style-type: none"> TAPA RADIADOR IZQ BLANCO INY MRT 2021 CON CALCA 390.5361 0/R00.570.5323 (u. 1)
12	<ul style="list-style-type: none"> PORTAFAROS S/OPTICA BLANCO INY MRT 2021 CON CALCA 390.5361 0/R00.620.5069 (u. 1)
13	<ul style="list-style-type: none"> FRONT MUDGUARD SUPPORT PLATE 0/000.620.5302 (u. 1)
14	<ul style="list-style-type: none"> GUARDABARROS DEL BLANCO INY. 2011 CON CALCA 390.5361 0/R00.050.5061 (u. 1)
17	<ul style="list-style-type: none"> PROTECTOR PIÑON MOTOR NEGRO 2021 0/000.220.5018 (u. 1)
19	<ul style="list-style-type: none"> CHAIN GUARD 0/000.200.0400 (u. 1)
20	<ul style="list-style-type: none"> SHOCK ABSORBER PROTECTOR PLASTIC 0/000.200.8000 (u. 1)
22	<ul style="list-style-type: none"> GUARDABARROS TRASERO PORTA MATRICULAS MRT 2021 0/000.060.5301 (u. 1)
23	<ul style="list-style-type: none"> GUARDABARROS TRASERO BLANCO INY MRT 2021 CON CALCA 390.5361 0/R00.060.5061 (u. 1)
26	<ul style="list-style-type: none"> TAILPIECE REAR MUDGUARD REFLECTOR 0/000.630.0551 (u. 1)
27	<ul style="list-style-type: none"> REAR REFLECTOR (ROUND) 0/000.630.0530 (u. 2)

30	<ul style="list-style-type: none">● PORTA MATRICULAS HOMOLOGADO MRT 2021 0/000.060.5302 (u. 1)
41	<ul style="list-style-type: none">● PROTECTOR HORQ. BLANCO C1L 0/R00.220.5021 (u. 1)
42	<ul style="list-style-type: none">● WHITE PROTECTOR HANDS 0/000.770.5704 (u. 1)
43	<ul style="list-style-type: none">● PROTECTIVE PUMP BACK BRAKE 0/000.220.5100 (u. 1)
44	<ul style="list-style-type: none">● KIT CUBRECARTER MRT 125i PRO E5 v.2 CON ESPUMA 0/K00.220.6009 (u. 1)
	<ul style="list-style-type: none">● CUBRECARTER MRT 125i PRO E5 v.2 0/000.220.6009 (u. 1)

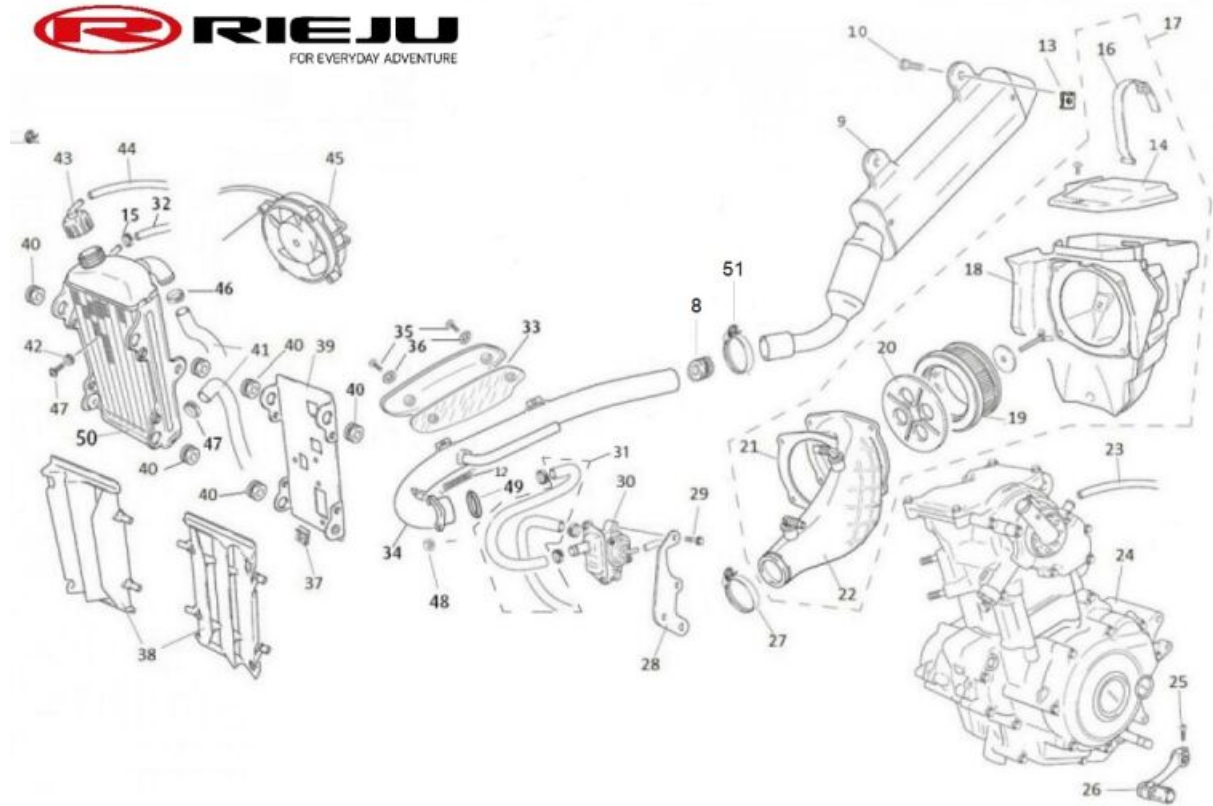
TANK



1	<ul style="list-style-type: none"> ● DEPOSITO GASOLINA MRT 125 E5 2021 0/000.030.6001 (u. 1) ● SPACER Ø12x2,75x16,50 0/000.480.5062 (u. 1)
2	<ul style="list-style-type: none"> ● CUBRE DEPOSITO GASOLINA MRT 2021 0/000.570.5409 (u. 1)
3	<ul style="list-style-type: none"> ● TAPON CUBRE DEPOSITO GASOLINA MRT 2021 0/000.410.5005 (u. 1)
4	<ul style="list-style-type: none"> ● FUEL PUMP MRT 125 E5 0/000.860.6000 (u. 1)
5	<ul style="list-style-type: none"> ● TORNILLO ISO 7380 Torx T-25 con arandela M5x16 INOX 0/000.460.0083 (u. 6)
8	<ul style="list-style-type: none"> ● TUBO NBR Ø5,5xØ9,5-Ø8xØ4x665 TAPON GASOLINA A CANISTER 0/000.290.6034 (u. 1)
9	<ul style="list-style-type: none"> ● TUBO CANISTER A CUERPO GAS MRT 125i E5 MN 0/000.290.6033 (u. 1)
10	<ul style="list-style-type: none"> ● TUBO L DRAIN CANISTER MRT v.2 0/000.290.5093 (u. 1)
11	<ul style="list-style-type: none"> ● TAPON AIR CANISTER MRT v.2 0/000.410.5006 (u. 1)
12	<ul style="list-style-type: none"> ● RUBBER SUPPORT CANISTER CENTURY V.2 0/000.360.4018 (u. 1)
13	<ul style="list-style-type: none"> ● SOPORTE CANISTER MRT 125i PRO MN E5 Z/BLANCO 0/000.980.6031 (u. 1)
17	<ul style="list-style-type: none"> ● ABRAZADERA COBRA Ø13/8 W4 0/000.680.0564 (u. 1)
18	<ul style="list-style-type: none"> ● TORNILLO DIN 7991 Allen M6x12 Cal.10.9 Z/BLANCO 0/000.460.0095 (u. 1)

21	<ul style="list-style-type: none">● TORNILLO ISO 7380 Torx T-30 con arandela M6x35 INOX 0/000.460.0091 (u. 1)
22	<ul style="list-style-type: none">● TANK TO CHASSIS SUPPORT PAD 0/000.360.5012 (u. 1)
23	<ul style="list-style-type: none">● PLASTICO RACOR "L" WS 10 Ø10 0/000.630.1000 (u. 1)
24	<ul style="list-style-type: none">● CHAPA TOPE CIERRE TAPON GASOLINA MRT v.2 0/000.220.5020 (u. 1)
27	<ul style="list-style-type: none">● CANISTER CENTURY V.2 0/000.640.4014 (u. 1)
28	<ul style="list-style-type: none">● FUEL TANK CAP 0/000.410.5300 (u. 1)

EXHAUST



8	● EXHAUST PIPE GASKET GRAPHITE 0/000.260.8010 (u. 1)	
9	● PETACA INOX MRT 125 EURO5 LC C / PROTECTOR 0/000.870.5054 (u. 1)	
10	● HORN ATTACHMENT BOLT 0/000.460.0600 (u. 2)	
12	● EXHAUST SPRING 0/000.470.6001 (u. 1)	
13	● QUICK NUT DIN 934 M6 0/000.340.5101 (u. 2)	
14	● TAPA CAJA FILTRO MRT v.2 0/000.350.5014 (u. 1)	
15	● CLAMP COBRA 11/7 W4 0/000.680.0527 (u. 1)	
16	● RUBBER FIXATION BATTERY 0/000.360.8002 (u. 1)	
17	● CAJA FILTRO COMPLETA MRT 125 E5 MN 0/000.910.6004 (u. 1)	
18	● FILTER BOX HOUSING 0/000.910.5200 (u. 1)	OBSOLETE
19	● AIR FILTER ELEMENT 0/001.070.4000 (u. 1)	
20	● FILTER BOX CHOKE 0/000.350.5005 (u. 1)	
21	● ARO FIJACION TOBERA CAJA FILTRO 0/000.910.5201 (u. 1)	
22	● FILTER BOX TO CARBURETTOR JOIN RUBBER 0/000.360.6010 (u. 1)	
23	● COPOLAN-NBR-NVC TUBE Ø8 x Ø12 x 230 0/000.290.0666 (u. 1)	

25	<ul style="list-style-type: none"> METRIC SCREW 6 x 22 0/000.460.0310 (u. 1)
26	<ul style="list-style-type: none"> GEAR CHANGE PEDAL 0/005.430.6001 (u. 1)
27	<ul style="list-style-type: none"> FILTER BOX RUBBER CLAMP 0/000.680.7002 (u. 1)
28	<ul style="list-style-type: none"> VALVE SUPPORT AIS 2011 0/000.980.7032 (u. 1)
29	<ul style="list-style-type: none"> SCREW DIN 7985 Phillips M6x10 Cal.4.8 ZINC PLATED 0/000.460.1704 (u. 2)
30	<ul style="list-style-type: none"> AIS VALVE IN/OUT BI-DIRECTIONAL 0/000.640.0002 (u. 1)
31	<ul style="list-style-type: none"> VALVE PIPE SET 0/000.640.6010 (u. 1)
	<ul style="list-style-type: none"> MANGUITO OUT VALVULA AIS MRT 125 (V.AIS / ESCAPE) 0/000.640.6019 (u. 1)
32	<ul style="list-style-type: none"> HOSE EPDM Ø6 x Ø9 x 430 0/000.290.0664 (u. 1)
33	<ul style="list-style-type: none"> EXHAUST PIPE PROTECTOR MARATHON 125 EURO 4 0/000.220.6007 (u. 1)
34	<ul style="list-style-type: none"> TUBO ESCAPE MRT 125 PRO EURO5 INOX 0/000.290.5089 (u. 1)
35	<ul style="list-style-type: none"> SCREW M6X20 0/000.460.3031 (u. 2)
36	<ul style="list-style-type: none"> WASHER 0/000.440.6000 (u. 2)
37	<ul style="list-style-type: none"> QUICK NUT DIN 934 M6 0/000.340.5101 (u. 1)
38	<ul style="list-style-type: none"> RAD PROTECTOR/GRILL MRT 0/000.220.0591 (u. 2)
39	<ul style="list-style-type: none"> SOPORTE SISTEMA ELECTRICO MRT PRO 125i MN E5 0/000.980.6030 (u. 1)
40	<ul style="list-style-type: none"> RUBBER SILEMBLOCK 0/000.360.0400 (u. 6)
41	<ul style="list-style-type: none"> RADIATOR HOSE SET 0/000.640.6007 (u. 1)
42	<ul style="list-style-type: none"> WASHER FIXATION 0/000.440.6300 (u. 1)
43	<ul style="list-style-type: none"> RADIATOR CAP 0/000.410.5102 (u. 1)
44	<ul style="list-style-type: none"> HOSE EPDM Ø6 x Ø9 x 650 0/000.290.0649 (u. 1)
45	<ul style="list-style-type: none"> RADIATING VENTILATOR 0/005.060.6000 (u. 1)
	<ul style="list-style-type: none"> ELECTROVENTILADOR MRT 125 2019 0/005.060.6001 (u. 1) - A PARTIR N° VIN VTPMRT20D00G02960
46	<ul style="list-style-type: none"> RADIATOR HOSE CLAMPS 0/000.680.0550 (u. 1)
47	<ul style="list-style-type: none"> SCREW FIXATION 0/000.460.6300 (u. 1)
48	<ul style="list-style-type: none"> BLIND NUT M8 0/000.340.7031 (u. 2)
49	<ul style="list-style-type: none"> EXHAUST GASKET 0/000.490.6000 (u. 1)
50	<ul style="list-style-type: none"> KIT RADIATOR MRT 2016 0/K00.580.5000 (u. 1)

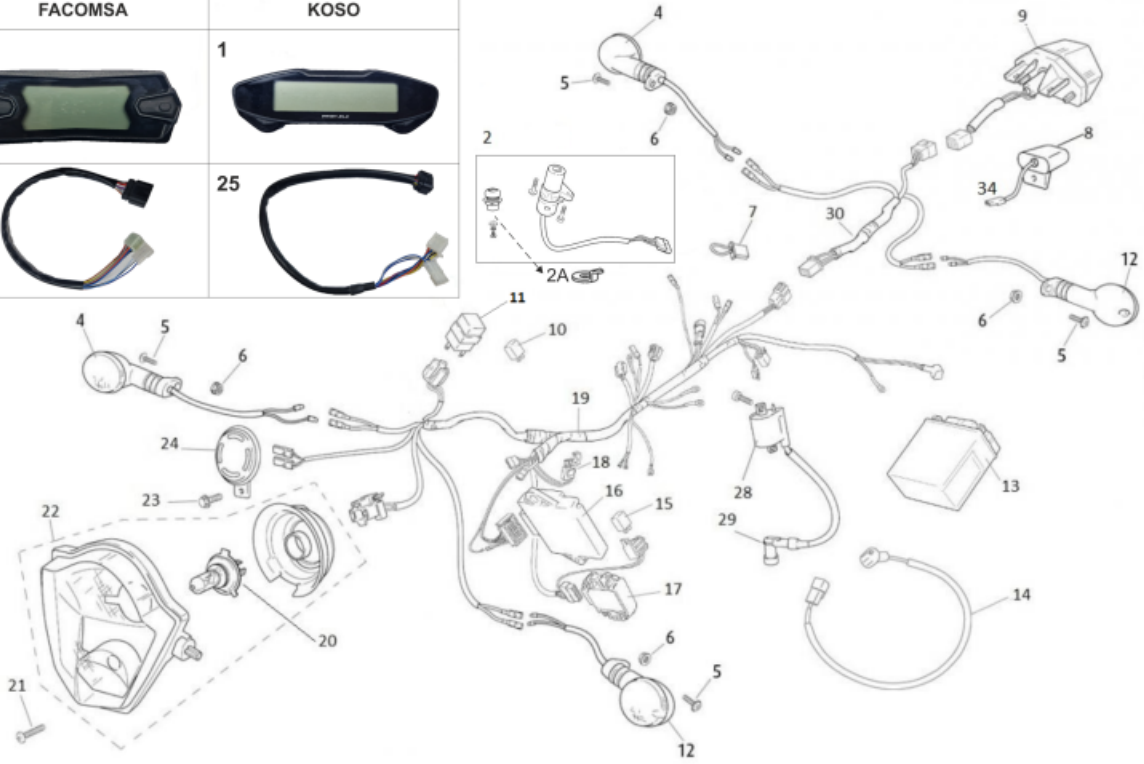
51

- INOX CLAMP 36-39 INNER CHC HEAD
0/000.680.8003 (u. 1)

ELECTRICAL



FACOMSA	KOSO
1 	1
25 	25

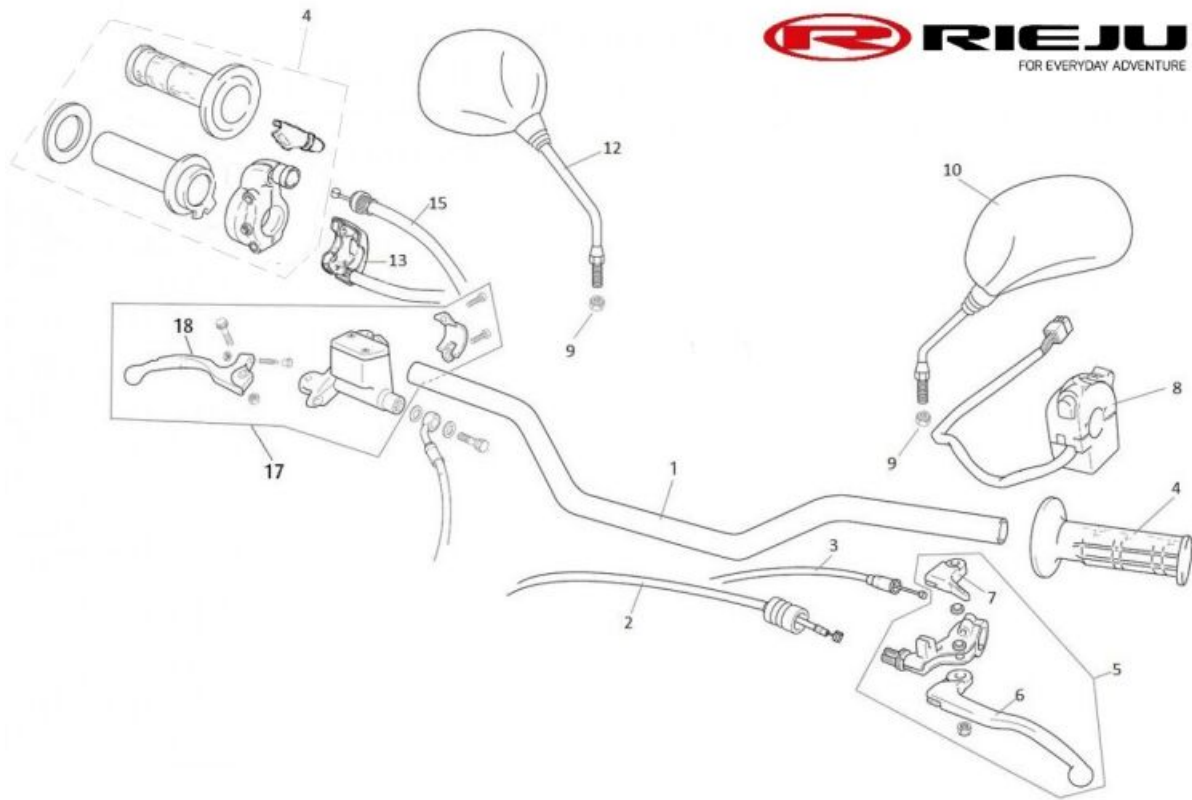


	<ul style="list-style-type: none"> GROMMET 0/000.360.4002 (u. 2)
1	<ul style="list-style-type: none"> KOSO SPEEDOMETER EX03 EURO5 (FUEL LEVEL INDICATOR) 0/001.000.2112 (u. 1) CTA. KMS. COMP FACOMSA MRT v.2 E5 0/001.000.2114 (u. 1)
2	<ul style="list-style-type: none"> KEY SET MRT v.2 2021 0/001.060.5000 (u. 1) - ADD 0/000.220.5019
2A	<ul style="list-style-type: none"> CHAPA BLOQUEO CIERRE TAPON GASOLINA MRT v.2 0/000.220.5019 (u. 1) CHAPA BLOQUEO CIERRE TAPON GASOLINA MRT v.2 0/000.220.5019 (u. 1)
4	<ul style="list-style-type: none"> RIGHT HAND INDICATOR OVAL 0/000.150.2100 (u. 2)
5	<ul style="list-style-type: none"> TORNILLO ISO 7380 Torx T-25 con arandela M5x16 INOX 0/000.460.0083 (u. 4) INDICATOR ATTACHMENT BOLT 0/000.460.1170 (u. 4)
6	<ul style="list-style-type: none"> INDICATOR ATTACHMENT NUT 0/000.340.0172 (u. 4)
8	<ul style="list-style-type: none"> PILOT BACK LIGHT LED 2018 0/000.150.6001 (u. 1)
9	<ul style="list-style-type: none"> LUZ PILOTO TRASERO LED V.2 0/000.150.9106 (u. 1) LIGHT TAIL LIGHT REAR LED 0/000.150.9105 (u. 1)
10	<ul style="list-style-type: none"> RELÉ ELECTROVENTILADOR 0/001.200.0401 (u. 1)

OBSELETE

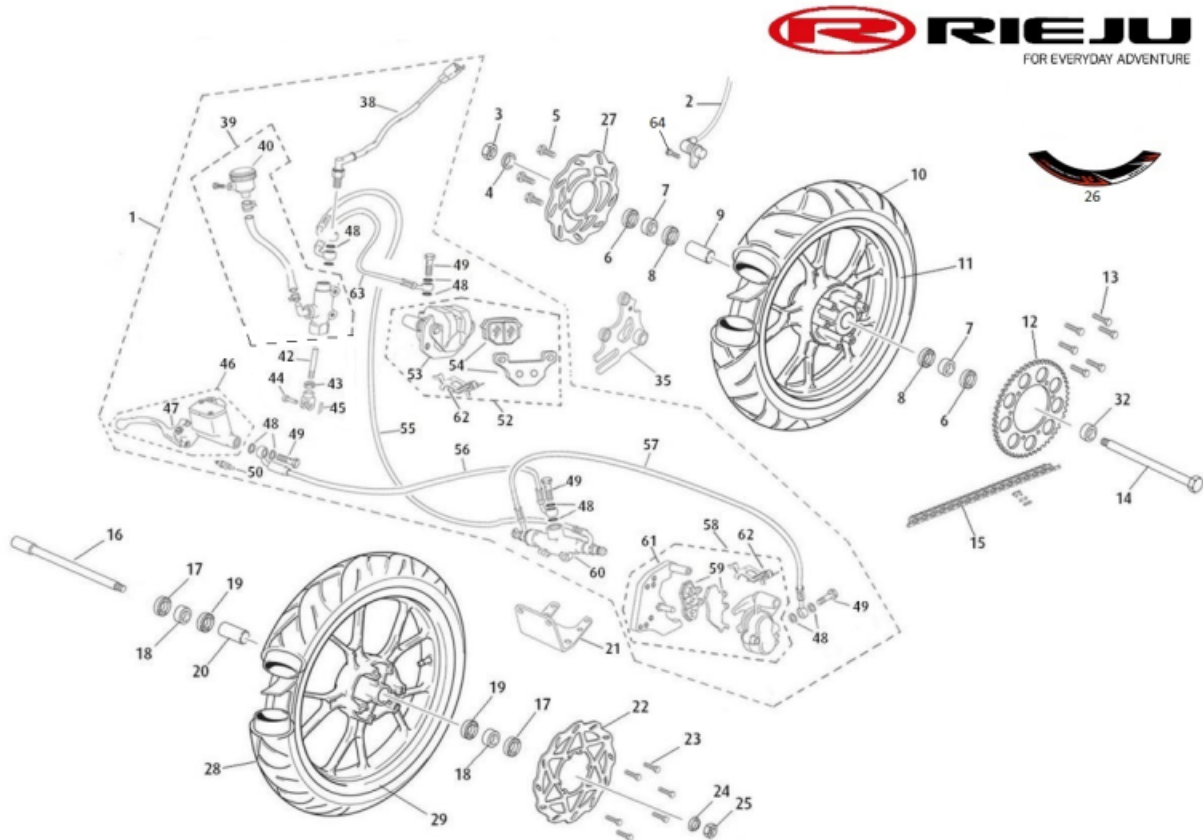
11	<ul style="list-style-type: none"> ● FLASHER UNIT 0/001.200.5032 (u. 1)
12	<ul style="list-style-type: none"> ● LEFT HAND INDICATOR OVAL 0/000.150.2200 (u. 2)
13	<ul style="list-style-type: none"> ● BATTERY 12V 6,5 AH MAINTENANCE FREE 0/000.900.4003 (u. 1)
14	<ul style="list-style-type: none"> ● SUPLEMENTO INSTALACION MOTOR ARRANQUE 0/000.160.6025 (u. 1)
15	<ul style="list-style-type: none"> ● RELAY STARTS 70A 0/001.200.6001 (u. 1)
16	<ul style="list-style-type: none"> ● KIT ECU + CUERPO MARIPOSA MARATHON 125 E5 0/K05.705.6002 (u. 1)
17	<ul style="list-style-type: none"> ● REGULADOR 0/229.012.0008 (u. 1)
18	<ul style="list-style-type: none"> ● FUSIBLE SCOOTER 0/000.910.0610 (u. 1)
19	<ul style="list-style-type: none"> ● INSTALACION PRINCIPAL MRT 125 EUROS 0/000.160.5039 (u. 1)
20	<ul style="list-style-type: none"> ● LAMP H4 35/35 12V. 0/000.850.9000 (u. 1)
21	<ul style="list-style-type: none"> ● HEADLAMP BEAM UNIT BUSHING BOLT 0/000.460.0786 (u. 1)
22	<ul style="list-style-type: none"> ● HEADLIGHT WITH BULB COMPLETE PT-107 0/000.600.0270 (u. 1)
23	<ul style="list-style-type: none"> ● HORN ATTACHMENT BOLT 0/000.460.0600 (u. 1)
24	<ul style="list-style-type: none"> ● SOPORTE CLAXON MRT v.2 0/000.980.5124 (u. 1)
	<ul style="list-style-type: none"> ● HORN CLASS II TYPE DL128J - 12V 0/000.420.5011 (u. 1)
25	<ul style="list-style-type: none"> ● SUPPLEMENT WIRE HARNESS KOSO SPEEDOMETER EURO 5 0/000.160.5036 (u. 1) - <i>FOR SPEEDOMETER KOSO</i>
	<ul style="list-style-type: none"> ● SUPLEMENTO INSTALACION MARCADOR MR MRT 125 0/000.160.6037 (u. 1) - <i>FOR SPEEDOMETER FACOMSA</i>
28	<ul style="list-style-type: none"> ● BOBINA E5 125WR 0/229.000.0001 (u. 1)
29	<ul style="list-style-type: none"> ● ENGINE SPARK PLUG PIPE 125 2009 0/005.110.6002 (u. 1)
30	<ul style="list-style-type: none"> ● REAR ELECTRICAL INSTALLATION MRT 0/000.160.6006 (u. 1)
34	<ul style="list-style-type: none"> ● SUPLEMENTO INSTALACION LUZ MATRICULA MRT E5 v.2 0/000.160.5041 (u. 1)

HANDLEBAR




1	<ul style="list-style-type: none"> ● Variable Diameter Black Handlebar 0/000.170.9000 (u. 1) ● MANILLAR NEGRO DIAMETRO VARIABLE 0/000.170.9001 (u. 1) 	OBSELETE
2	<ul style="list-style-type: none"> ● CABLE EMBRAGUE MRT 125 PRO EURO5 0/000.550.5017 (u. 1) 	
3	<ul style="list-style-type: none"> ● STARTER CABLE 0/000.550.6007 (u. 1) 	
4	<ul style="list-style-type: none"> ● PUÑO GAS COMPLETO C/JUEGO MANOPLAS ROJAS 0/000.530.6002 (u. 1) 	
5	<ul style="list-style-type: none"> ● LEVERLESS CLUTCH LEVER STARTER TANGO 125 2013 0/000.830.5006 (u. 1) 	
7	<ul style="list-style-type: none"> ● SINGLE STARTER LEVER 0/000.830.8302 (u. 1) 	
8	<ul style="list-style-type: none"> ● LEFT SWITCH MRT 125 E4 0/000.720.6004 (u. 1) 	
10	<ul style="list-style-type: none"> ● L/H MIRROR TANGO 0/000.990.8001 (u. 1) 	
12	<ul style="list-style-type: none"> ● R/H MIRROR TANGO 0/000.990.8000 (u. 1) 	
13	<ul style="list-style-type: none"> ● INTERRUPTOR START 0/000.720.6001 (u. 1) 	
15	<ul style="list-style-type: none"> ● CABLE GAS MRT 125 PRO EURO5 0/000.550.5016 (u. 1) 	
17	<ul style="list-style-type: none"> ● FRONT BRAKE PUMP WITH LEVER CBS 0/000.820.0325 (u. 1) 	
18	<ul style="list-style-type: none"> ● BRAKE LEVER ONLY 0/000.830.1011 (u. 1) 	

WHEELS - BRAKES



1	<ul style="list-style-type: none"> ● CONJUNTO FRENADA COMBINADA MARATHON 125 PRO 0/000.820.0775 (u. 1) 	
2	<ul style="list-style-type: none"> ● SA-01 SPEED SENSOR WITOUT O-RING 0/001.010.2102 (u. 1) 	
3	<ul style="list-style-type: none"> ● SWING ARM SHAFT NUT 0/000.340.0186 (u. 1) 	
4	<ul style="list-style-type: none"> ● SWING ARM SHAFT WASHER 0/000.440.0123 (u. 1) 	
5	<ul style="list-style-type: none"> ● SCREW DIN 933 M8x25 Cal.8.8 ZINC PLATED 0/000.460.0723 (u. 3) 	
6	<ul style="list-style-type: none"> ● WHEEL SEPARATOR 0/000.480.8000 (u. 1) 	
7	<ul style="list-style-type: none"> ● FRONT WHEEL BEARING 0/000.960.0050 (u. 1) 	
8	<ul style="list-style-type: none"> ● FRONT WHEEL BEARING 0/000.960.0050 (u. 1) 	
9	<ul style="list-style-type: none"> ● INTERNAL SEPARATOR 0/000.480.5040 (u. 1) 	
10	<ul style="list-style-type: none"> ● REAR TYRE 130/70-17 SUPERM. 0/000.510.0560 (u. 1) 	
11	<ul style="list-style-type: none"> ● SINGLE REAR WHEEL RIM 0/000.230.2003 (u. 1) 	OBSELETE
	<ul style="list-style-type: none"> ● KIT LLANTA INTEGRAL TRASERA 2008 0/K00.230.2003 (u. 1) 	
12	<ul style="list-style-type: none"> ● PLATO DURALUMINIO ORO Z58 e=7 CADENA 428 (1/2" x 5/16" R8,51) 0/000.500.6006 (u. 1) 	
13	<ul style="list-style-type: none"> ● DRIVE PLATE BOLT 0/000.460.0670 (u. 6) 	

14	● REAR WHEEL SHAFT 0/000.190.5303 (u. 1)	
15	● CADENA COMPLETA 136 PASOS 428 O-RING MRT 125 EURO5 0/001.050.6001 (u. 1)	OBSOLETE
16	● MRT PRO SHFT KIT 2013 0/K00.190.0000 (u. 1)	
17	● FRONT WHEEL SEPARATOR 0/000.480.5032 (u. 1)	
18	● FRONT WHEEL BEARING 0/000.960.0050 (u. 1)	
20	● SPACER Ø22x3.25x66.5 0/000.480.5039 (u. 1)	
21	● SOPORTE VALVULA CBS MARATHON 125 PRO 0/000.980.6025 (u. 1)	
22	● FRONT BRAKE DISC D.300 0/K01.090.0003 (u. 1)	
23	● FRONT BRAKE DISC ATTACHMENT BOLT 0/000.460.0693 (u. 6)	
24	● SWING ARM SHAFT WASHER 0/000.440.0123 (u. 1)	
25	● SWING ARM SHAFT NUT 0/000.340.0186 (u. 1)	
26	● DECAL SET WHEEL RED TEAM SM RACING 2014 0/000.390.5122 (u. 4)	
27	● REAR BRAKE DISK WAVE Ø200 2016 0/001.090.0266 (u. 1)	
28	● FRONT TYRE 100/80-17 SUPERM 0/000.510.0550 (u. 1)	
29	● KIT LLANTA INTEGRAL DELANTERA 2008 0/K00.230.2004 (u. 1)	
	● SINGLE FRONT WHEEL RIM 2008 0/000.230.2004 (u. 1)	OBSOLETE
32	● WHEEL SEPARATOR 0/000.480.8000 (u. 1)	
35	● REAR BRAKE CALIPER SUPPORT MARATHON 125 0/000.980.6021 (u. 1)	
38	● STOP SWITCH REAR 2009 0/000.720.0075 (u. 1)	
39	● COMPLETE REAR BRAKE PUMP CBS 2017 0/000.820.0326 (u. 1)	
40	● BRAKE FLUID TANK 0/000.030.0170 (u. 1)	
42	● BRAKE PUMP PUSHROD 0/000.240.5001 (u. 1)	
43	● (5 UNIT BAG) NUT DIN 934 M6 Cal.8 Z / WHITE 0/000.340.0130B (u. 1)	
44	● BRAKE LEVER PIN 0/000.840.0090 (u. 1)	
46	● FRONT BRAKE PUMP WITH LEVER CBS 0/000.820.0325 (u. 1)	
47	● BRAKE LEVER ONLY 0/000.830.1011 (u. 1)	
48	● BRAKE HOSE BOLT WASHER 0/000.440.7002 (u. 10)	
49	● BLEEDING BOLT M10x100 0/000.460.7013 (u. 4)	

50	<ul style="list-style-type: none"> ● STOP SWITCH 0/000.720.0070 (u. 1)
52	<ul style="list-style-type: none"> ● REAR BRAKE CALIPER WITH HOLDER CBS 2017 0/000.860.5121 (u. 1)
53	<ul style="list-style-type: none"> ● REAR BRAKE CALIPER HOLDER CBS 2017 0/000.640.0052 (u. 1)
54	<ul style="list-style-type: none"> ● BRAKE PADS CBS 0/000.930.0097 (u. 1)
55	<ul style="list-style-type: none"> ● BRAKE PIPE FROM CBS VALVE TO REAR BRAKE CALIPER 0/000.290.0276 (u. 1)
56	<ul style="list-style-type: none"> ● TUBO FRENO VALVULA CBS  BOMBA FRENO DELANTERA 0/000.290.0278 (u. 1)
57	<ul style="list-style-type: none"> ● FRONT BREAK PIPE CBS VALVE TO CALLIPER 0/000.290.0277 (u. 1)
58	<ul style="list-style-type: none"> ● SINGLE FRONT BRAKE CALIPER 0/000.860.5117 (u. 1)
60	<ul style="list-style-type: none"> ● CBS VALVE ASSY 0/000.640.0045 (u. 1)
62	<ul style="list-style-type: none"> ● SET SPRING 0/000.640.0049 (u. 2)
63	<ul style="list-style-type: none"> ● BRAKE PADS SET 0/000.930.3005 (u. 1)
	<ul style="list-style-type: none"> ● REAR BRAKE PIPI FROM PUMP TO CALIPER 0/000.290.0279 (u. 1)
64	<ul style="list-style-type: none"> ● SCREW M6X20 0/000.460.3031 (u. 1)

16	●	UPPER STEERING FORK DUST COVER 0/000.200.0001 (u. 1)
17	●	LOWER NUT 0/000.340.5202 (u. 1)
18	●	LOWER PLATE SILVER 0/000.660.5005 (u. 1)
19	●	BOTELLA HORQUILLA MRT PRO ANODIZADO NEGRO 0/000.880.5010 (u. 2)
20	●	FROK TUBE RING R16V MRT PRO 0/000.300.5002 (u. 2)
21	●	FORK RETAINER 0/000.890.5005 (u. 2)
22	●	FORK SCRAPER RETAINER 0/000.890.5006 (u. 2)
23	●	LEFT FORK TUBE SUSP. R16V MRT PRO 0/000.290.5208 (u. 1)
24	●	HYDRAULIC PIPE SET LEFT 0/000.640.5117 (u. 1)
25	●	HORQUILLA COMPLETA Ø41 R16V MRT PRO v.2 NEGRA MANILLAR DIAMETRO VARIABLE 0/000.130.5116 (u. 1)
26	●	(BOLSA 5 uds) TLLO DIN 912 JS500 M10x50 0/000.460.0402B (u. 2)
27	●	(5 uds) WASHER DIN 125/A M10 Z/WHITE 0/000.440.0110B (u. 4)
29	●	(5 UNIT BAG) NUT DIN 6926 M10 Cal.8 Z / WHITE 0/000.340.0182B (u. 2)
30	●	SHOCK ABSORBER ADJUSTABLE MRT 125 2010 0/000.180.6003 (u. 1)
34	●	SUPORT TRAPEZE ROD 0/000.980.5103 (u. 1)
35	●	COMPLETE LINK 2009 0/000.770.0105 (u. 1)
36	●	SHOCK ABSORBER BOLT NUT 0/000.340.0182 (u. 1)
37	●	TORNILLO DIN 912 10x70 0/000.460.6210 (u. 1)
38	●	SHOCK ABSORBER BOLT WASHER 0/000.440.0110 (u. 1)
39	●	REAR CHASSIS ATTACHMENT NUT 0/000.340.0187 (u. 1)
40	●	LEFT TOE FORK R16V MRT PRO 0/000.880.5007 (u. 1)
41	●	CJTO. SUSPENSION RH Ø41 NEGRA 0/000.130.5013 (u. 1)
42	●	CJTO. SUSPENSION LH Ø41 NEGRA 0/000.130.5014 (u. 1)
43	●	OIL SEAL BUSH Ø41xØ45x15 FORK R16V MRT PRO 0/000.480.5104 (u. 1)
44	●	BUSH SPACER FORK R16V MRT PRO 0/000.480.5105 (u. 1)
45	●	WASHER 52,8x43x4 FORK R16V MRT PRO 0/000.440.5135 (u. 1)
46	●	SEEGER FORK TUBE R16V MRT PRO 0/000.300.5003 (u. 1)

STICKERS



- | | |
|---|-------------------------------------------------------------------------------------------------------------------------------------------------|
| 1 |  JUEGO CALCAS MARATHON 125 PRO 2022
0/000.390.5361 (u. 1) |
| 2 |  CALCA MOTOR MRT 125i PRO MN
0/000.390.5364 (u. 1) |

ACCESSORIES



1	<ul style="list-style-type: none"> KIT PORTABULTOS MRT v.2 0/K00.980.5001 (u. 1) 	
2	<ul style="list-style-type: none"> NADSA LUGGAGE CASE (7KG MAX LOAD) 0/001.800.0001 (u. 1) 	
3	<ul style="list-style-type: none"> YELLOW HAND PROTECTOR 0/000.770.5706 (u. 1) 	
4	<ul style="list-style-type: none"> GREEN HAND PROTECTORS 0/000.770.5707 (u. 1) 	
5	<ul style="list-style-type: none"> PROTECTIVE SET FOR HANDLES PRO ORANGE 2016 0/000.770.5708 (u. 1) 	
6	<ul style="list-style-type: none"> WHITE PROTECTOR HANDS 0/000.770.5704 (u. 1) 	
7	<ul style="list-style-type: none"> BLACK PROTECTOR HANDS 0/000.770.5703 (u. 1) 	
8	<ul style="list-style-type: none"> Variable Diameter Black Handlebar 0/000.170.9000 (u. 1) MANILLAR NEGRO DIAMETRO VARIABLE 0/000.170.9001 (u. 1) 	OBSOLETE
9	<ul style="list-style-type: none"> MANILLAR ALUMINIO Ø22 ANODIZADO ROJO (SIN LOGO) 0/000.170.0556 (u. 1) 	
10	<ul style="list-style-type: none"> RED CHAIN GUIDE 2018 0/000.710.0303 (u. 1) 	
11	<ul style="list-style-type: none"> RED RADIATOR PROTECTOR MRT 0/000.220.0593 (u. 1) 	
12	<ul style="list-style-type: none"> LEFT-HAND MIRROR 0/000.990.5003 (u. 1) 	
13	<ul style="list-style-type: none"> RIGHT HAND MIRROR 0/000.990.5004 (u. 1) 	

14	<ul style="list-style-type: none">● CUBRECARTER MRT 125i PRO E5 v.2 0/000.220.6009 (u. 1)
	<ul style="list-style-type: none">● KIT CUBRECARTER MRT 125i PRO E5 v.2 CON ESPUMA 0/K00.220.6009 (u. 1)
15	<ul style="list-style-type: none">● (LEFT HAND FRONT/RIGHT HAND REAR) INDICATORS LIGTH 0/000.150.7103 (u. 1)
16	<ul style="list-style-type: none">● (RIGTH HAND FRONT/LEFT HAND REAR) INDICATORS LIGTH 0/000.150.7102 (u. 1)

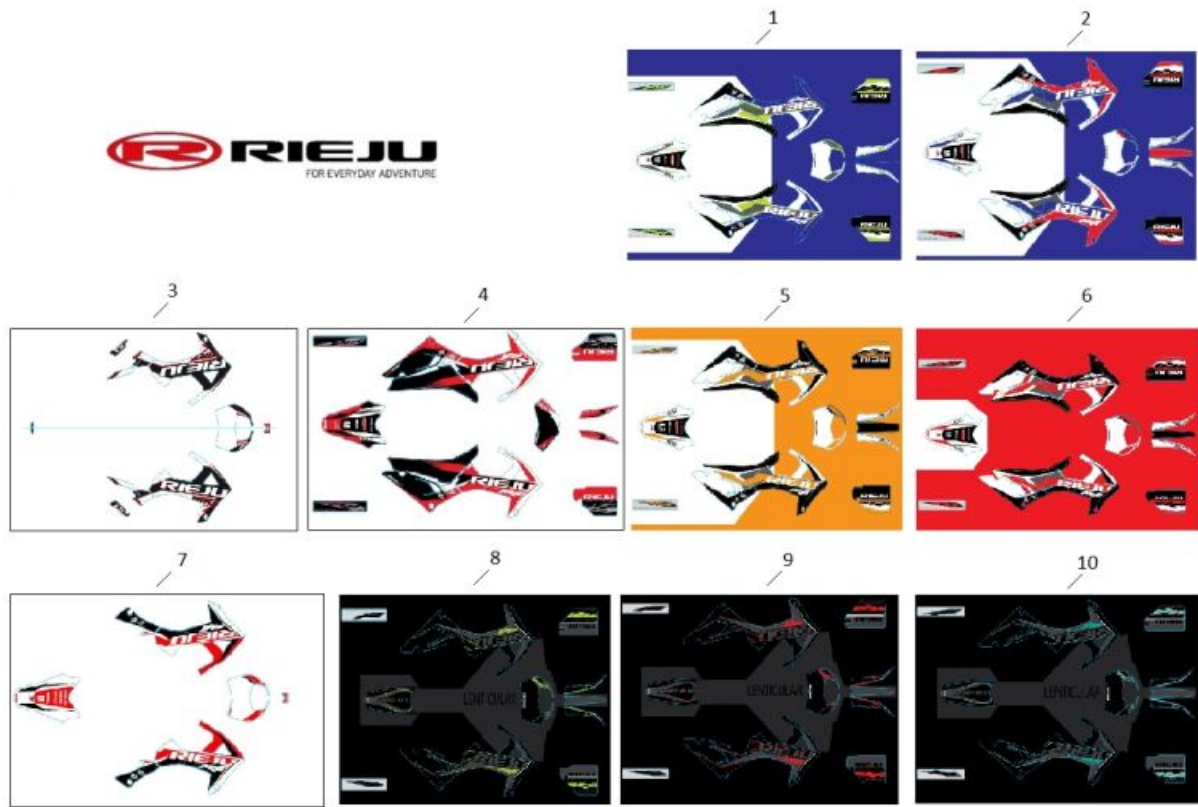
ACCESSORIES - SEATS



1	<ul style="list-style-type: none"> SILLIN MRT PRO V.2 ROJO-GRIS 0/000.040.5040 (u. 1) 	
2	<ul style="list-style-type: none"> COMPLETE SEAT MRT REPLICA 2019 ORANGE 0/000.040.5031 (u. 1) 	
3	<ul style="list-style-type: none"> SEAT MRT FREEJUMP 2019 GREEN 0/000.040.5033 (u. 1) 	OBSOLETE
4	<ul style="list-style-type: none"> SILLIN MRT PRO V.2 AZUL-GRIS 0/000.040.5035 (u. 1) 	
5	<ul style="list-style-type: none"> SILLIN MRT PRO EDICION ESPECIAL NEGRO/ROJO 2021 0/000.040.5037 (u. 1) 	
6	<ul style="list-style-type: none"> SILLIN MRT PRO V.2 NARANJA-GRIS 0/000.040.5043 (u. 1) 	
7	<ul style="list-style-type: none"> SILLIN MRT PRO V.2 GRIS -VERDE 0/000.040.5041 (u. 1) 	
8	<ul style="list-style-type: none"> SILLIN MRT PRO V.2 NEGRO-GRIS 0/000.040.5042 (u. 1) 	
9	<ul style="list-style-type: none"> DECAL SET WHEEL RED TEAM SM RACING 2014 0/000.390.5122 (u. 1) 	
10	<ul style="list-style-type: none"> FRONT WHEEL GEEEN 17" MRT 2017 0/000.110.5450 (u. 1) - LLANTA COMPLETA SIN NEUMATICO Y SIN DISCO DE FRENO 	
	<ul style="list-style-type: none"> FRONT WHEEL GEEEN 17" MRT 2017 0/000.120.5450 (u. 1) - LLANTA COMPLETA SIN NEUMATICO Y SIN DISCO DE FRENO 	
11	<ul style="list-style-type: none"> BLUE COMPLETE FRONT WHEEL ASSEMBLY W/O RUBBER 0/000.110.5448 (u. 1) - LLANTA COMPLETA SIN NEUMATICO Y SIN DISCO DE FRENO 	
	<ul style="list-style-type: none"> BLUE COMPLETE REAR WHEEL ASSEMBLY W/O RUBBER 0/000.120.5448 (u. 1) - LLANTA COMPLETA SIN NEUMATICO Y SIN DISCO DE FRENO 	

12	<ul style="list-style-type: none">• RED FRONT WHEEL 17" SM 2015 0/000.110.5447 (u. 1) - <i>LLANTA COMPLETA SIN NEUMATICO Y SIN DISCO DE FRENO</i>
	<ul style="list-style-type: none">• RED FRONT WHEEL 17" SM 2015 0/000.120.5447 (u. 1) - <i>LLANTA COMPLETA SIN NEUMATICO Y SIN DISCO DE FRENO</i>
13	<ul style="list-style-type: none">• WHEEL SET SPOKED BLACK MARATHON 125 PRO ENDURO 0/K00.115.0004 (u. 1) - <i>JUEGO DE RUEDAS COMPLETO CON DISCO DE FRENO</i>
14	<ul style="list-style-type: none">• COMPLETE 17" RADIAL SPOKED WHEEL MRT 50 SM PRO 0/K00.115.0006 (u. 1) - <i>JUEGO DE RUEDAS COMPLETO CON DISCO DE FRENO</i>

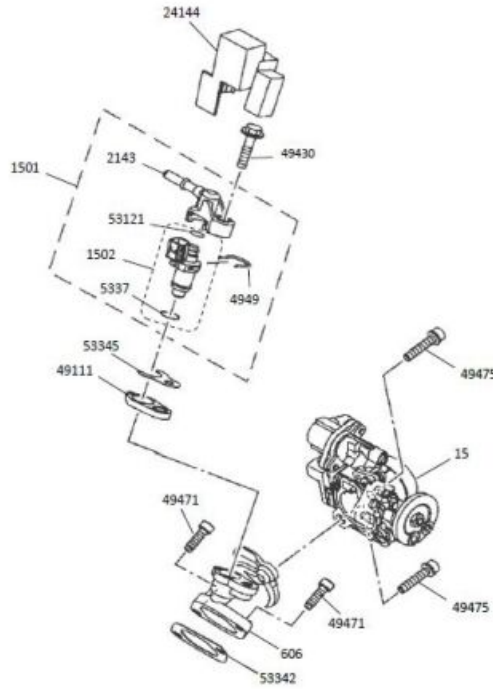
ACCESORIES - STICKERS SET



1	<ul style="list-style-type: none"> JUEGO CALCAS MRT PRO V.2 VERDE - AZUL 0/000.390.5354 (u. 1)
2	<ul style="list-style-type: none"> JUEGO CALCAS MRT PRO V.2 AZUL - ROJO 0/000.390.5353 (u. 1)
3	<ul style="list-style-type: none"> JUEGO DE CALCAS MARATHON 125 LC 2021 0/000.390.5350 (u. 1)
4	<ul style="list-style-type: none"> JUEGO CALCAS MRT TROPHY V.2 0/000.390.5357 (u. 1)
5	<ul style="list-style-type: none"> JUEGO CALCAS MRT PRO V.2 NARANJA-NEGRO 0/000.390.5356 (u. 1)
6	<ul style="list-style-type: none"> JUEGO CALCAS MRT PRO V.2 ROJO - NEGRO 0/000.390.5352 (u. 1)
7	<ul style="list-style-type: none"> JUEGO DE CALCAS MRT V.2 0/000.390.5351 (u. 1)
8	<ul style="list-style-type: none"> JUEGO CALCAS MRT BLACK SERIES YELLOW V.2 0/000.390.5360 (u. 1)
9	<ul style="list-style-type: none"> JUEGO CALCAS MRT BLACK SERIES RED V.2 0/000.390.5359 (u. 1)
10	<ul style="list-style-type: none"> JUEGO CALCAS MRT BLACK SERIES BLUE V.2 0/000.390.5358 (u. 1)

WR125 E5

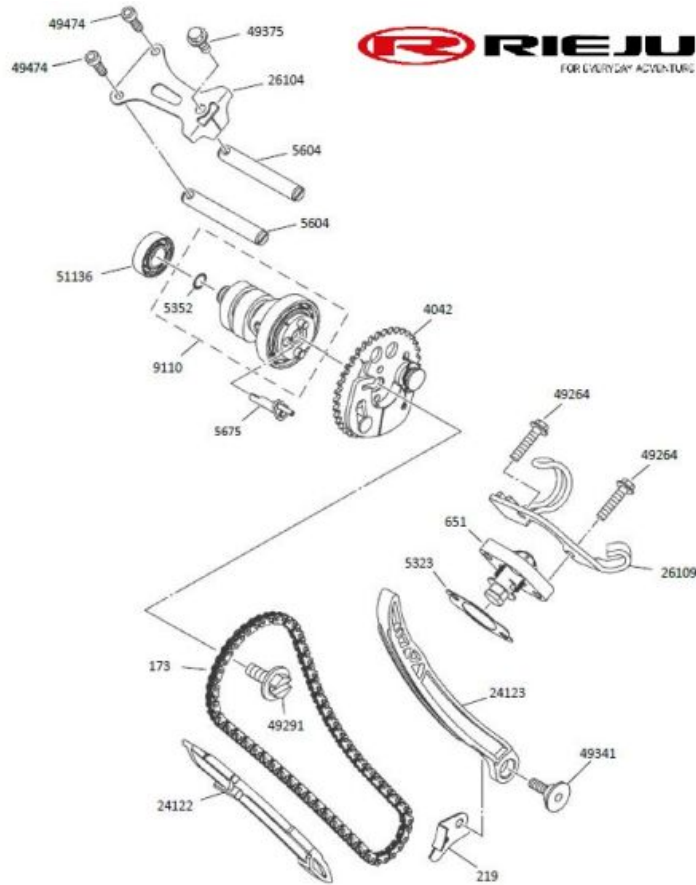
INTAKE



15	<ul style="list-style-type: none"> KIT ECU + CUERPO MARIPOSA MARATHON 125 E5 0/K05.705.6002 (u. 1) 	
606	<ul style="list-style-type: none"> COLECTOR DE ADMISION 0/229.000.0016 (u. 1) 	
1501	<ul style="list-style-type: none"> INYECTOR COMPLETO 0/229.000.0025 (u. 1) 	
1502	<ul style="list-style-type: none"> INYECTOR 0/229.000.0026 (u. 1) 	
2143	<ul style="list-style-type: none"> INYECTOR 0/229.000.0031 (u. 1) 	
4949	<ul style="list-style-type: none"> CLIP INYECTOR 0/229.000.0065 (u. 1) 	
5337	<ul style="list-style-type: none"> ANILLO SELLADO INYECTOR 0/229.000.0077 (u. 1) 	
24144	<ul style="list-style-type: none"> TAPON PROTECTOR INYECTOR 0/229.000.0110 (u. 1) 	
49111	<ul style="list-style-type: none"> SEPARADOR INYECTOR 0/229.000.0123 (u. 1) 	
49430	<ul style="list-style-type: none"> TORNILLO M6x30 0/229.000.0149 (u. 1) 	
49471	<ul style="list-style-type: none"> BOLT 91312-06020 (u. 2) 	OBSELETE
49475	<ul style="list-style-type: none"> TORNILLO M6x30 0/229.000.0158 (u. 2) 	
53121	<ul style="list-style-type: none"> JUNTA TORICA SUPERIOR INYECTOR 0/229.000.0168 (u. 1) 	
53342	<ul style="list-style-type: none"> JUNTA TUBERA 0/229.000.0176 (u. 1) 	

53345 • JUNTA METALICA INYECTOR
0/229.000.0178 (u. 1)

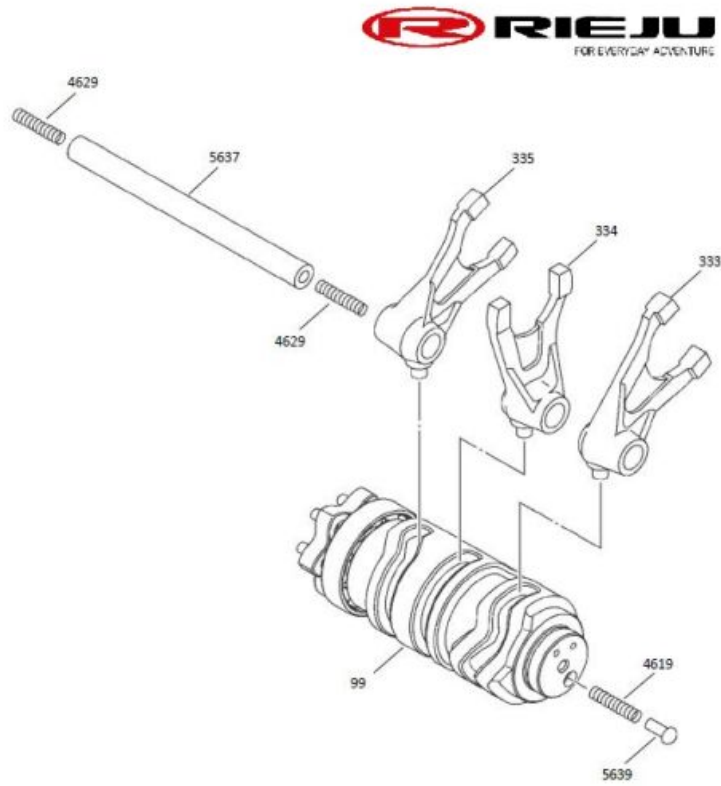
CAMSHAFT-DISTRIBUTION



173	●	CADENA DISTRIBUCION 0/229.002.0001 (u. 1)
219	●	CUBIERTA CADENA 0/229.000.0010 (u. 1)
651	●	TENSOR CADENA 0/229.000.0019 (u. 1)
4042	●	PLATO ARRASTRE CADENA DE DISTRIBUIDOR 0/229.002.0006 (u. 1)
5323	●	JUNTA TENSOR 0/229.000.0075 (u. 1)
5352	●	ANILLO SELLADO ARBOL LEVAS 0/229.000.0078 (u. 1)
5604	●	EJE ARBOL LEVAS 0/229.000.0084 (u. 2)
5675	●	EJE LEVA DESCOMPRESOR 0/229.000.0094 (u. 1)
9110	●	ARBOL LEVAS 0/229.000.0100 (u. 1)
24122	●	GUIA CADENA INFERIOR 0/229.002.0016 (u. 1)
24123	●	GUIA CADENA 2 0/229.000.0108 (u. 1)
26104	●	PLETINA FIJACION PASADORES DE LEVAS 0/229.000.0111 (u. 1)
26109	●	SOPORTE CABLE EMBRAGUE 0/229.000.0112 (u. 1)
49264	●	TORNILLO M6x25 0/229.000.0131 (u. 2)

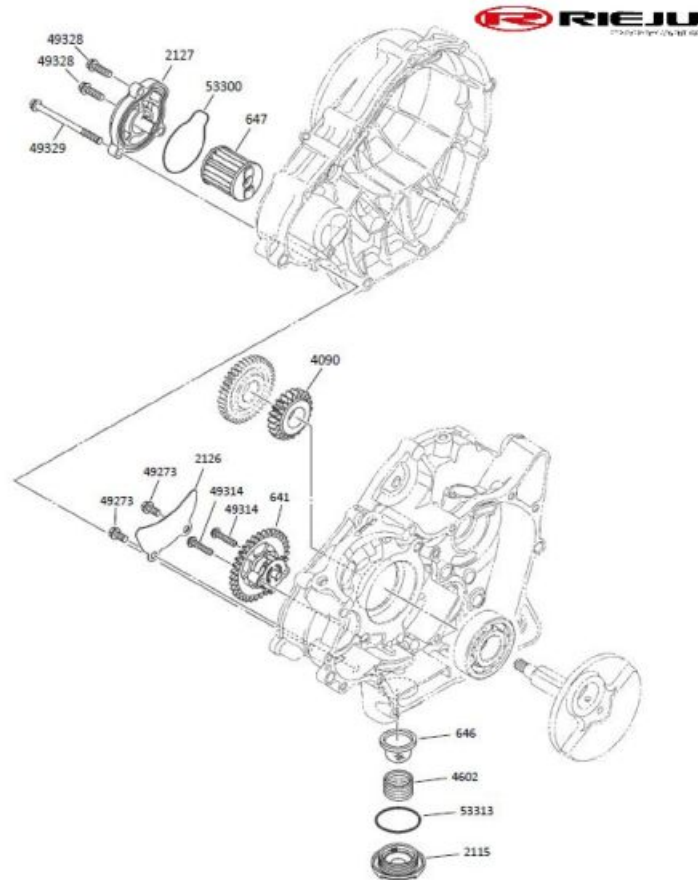
49291	<ul style="list-style-type: none">• PERNO BOMBA AGUA 0/229.003.0008 (u. 1)
49341	<ul style="list-style-type: none">• TORNILLO GUIA CADENA 0/229.000.0144 (u. 1)
49375	<ul style="list-style-type: none">• TORNILLO M6x14 0/229.000.0147 (u. 1)
49474	<ul style="list-style-type: none">• TORNILLO M5x16 0/229.000.0157 (u. 2)
51136	<ul style="list-style-type: none">• RODAMIENTO ARBOL LEVAS 0/229.000.0165 (u. 1)
53331	<ul style="list-style-type: none">• JUNTA TORICA TERMOSTATO 0/229.000.0174 (u. 1)

SELECTOR SHAFT



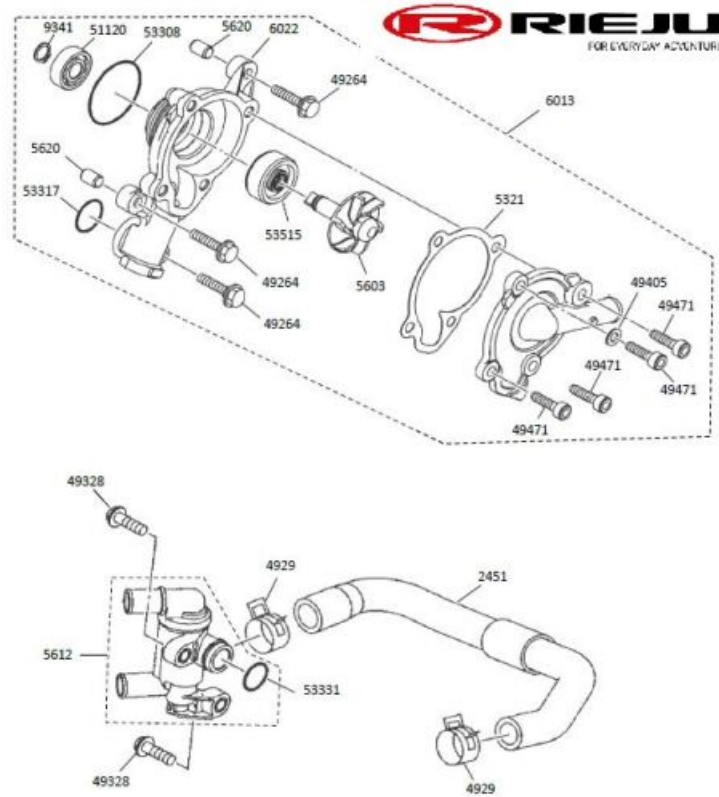
99	<ul style="list-style-type: none"> LEVA DEL CAMBIO COMPLETA 0/229.000.0007 (u. 1)
333	<ul style="list-style-type: none"> HORQUILLA DEL CAMBIO 1 0/229.000.0012 (u. 1)
334	<ul style="list-style-type: none"> HORQUILLA DEL CAMBIO 2 0/229.000.0013 (u. 1)
335	<ul style="list-style-type: none"> HORQUILLA DEL CAMBIO 3 0/229.000.0014 (u. 1)
4619	<ul style="list-style-type: none"> MUELLE INDICADOR MARCHA 0/229.000.0059 (u. 1)
4629	<ul style="list-style-type: none"> SPRING COMPRESSION 0/226.010.0008 (u. 2)
5637	<ul style="list-style-type: none"> EJE GUIA HORQUILLA CAMBIO 0/229.000.0087 (u. 1)
5639	<ul style="list-style-type: none"> TETON INDICADOR MARCHA 0/229.000.0088 (u. 1)

OIL PUMP



641	●	BOMBA DE ACEITE 0/229.000.0017 (u. 1)
646	●	FILTRO DE ACEITE 0/229.000.0018 (u. 1)
647	●	FILTRO ACEITE COMPLETO 0/229.004.0003 (u. 1)
2115	●	TAPON DRENAJE BOMBA ACEITE 0/229.000.0027 (u. 1)
2126	●	CUBIERTA BOMBA ACEITE 0/229.000.0029 (u. 1)
2127	●	TAPA BOMBA ACEITE 0/229.000.0030 (u. 1)
4090	●	PIÑÓN CONDUCTOR BOMBA ACEITE 0/229.000.0055 (u. 1)
4602	●	MUELLE FILTRO ACEITE 0/229.000.0056 (u. 1)
49273	●	TORNILLO M6x12 0/229.000.0132 (u. 2)
49314	●	TORNILLO M5x25 0/229.000.0136 (u. 2)
49328	●	TORNILLO M6x20 0/229.000.0141 (u. 2)
49329	●	TORNILLO M6x80 0/229.000.0142 (u. 1)
53300	●	JUNTA TORICA TAPA FILTRO ACEITE 0/229.000.0182 (u. 1)
53313	●	JUNTA TORICA D33,7 x 3,5 BOMBA ACEITE MOTOR WR 125 EURO5 0/000.490.5005 (u. 1)

WATER PUMP



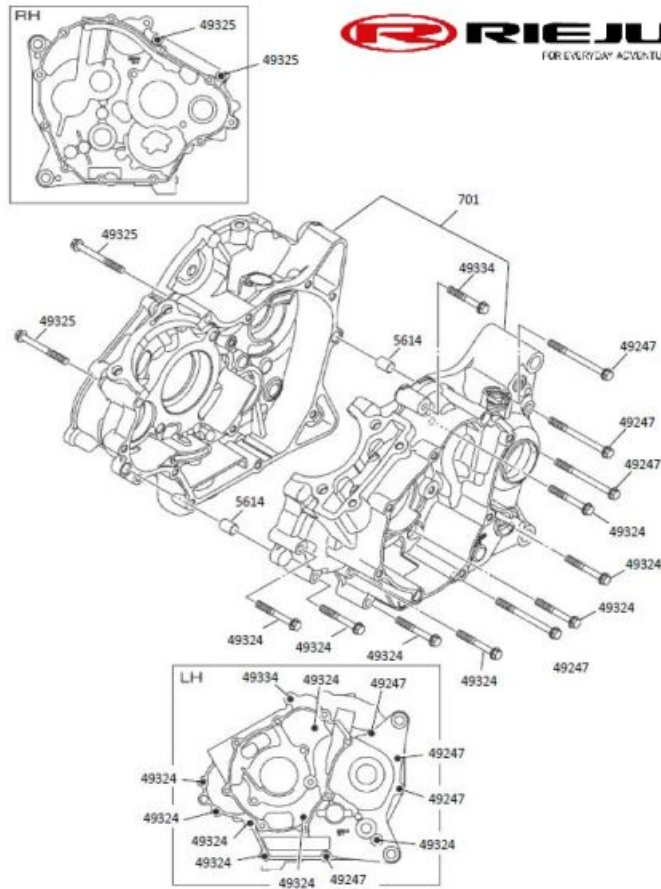
2451	● TUBO CIRCUITO REFRIGERACION 0/229.000.0032 (u. 1)
4929	● ABRAZADERA TUBO REFRIGERACION 0/229.000.0063 (u. 2)
5321	● JUNTA TAPA BOMBA AGUA 0/229.000.0074 (u. 1)
5603	● CENTRIFUGO BOMBA AGUA 0/229.000.0083 (u. 1)
5612	● TERMOSTATO 0/229.003.0009 (u. 1)
5620	● CASQUILLO CENTRADOR TAPA CULATA 0/005.560.2670 (u. 2)
6013	● BOMBA AGUA COMPLETA 0/229.003.0010 (u. 1)
6022	● CUERPO BOMBA AGUA 0/229.000.0096 (u. 1)
9341	● ANILLO CIRCLIP BOMBA AGUA 0/229.000.0104 (u. 1)
49264	● TORNILLO M6x25 0/229.000.0131 (u. 3)
49328	● TORNILLO M6x20 0/229.000.0141 (u. 2)
49405	● ARANDELA 6x11x1 0/229.000.0148 (u. 1)
49471	● BOLT 91312-06020 (u. 4)
51120	● BEARING 0/226.003.0015 (u. 1)

OBSOLETE

53308	<ul style="list-style-type: none">● ANILLO TORICO 0/229.003.0016 (u. 1)
53317	<ul style="list-style-type: none">● ANILLO 19X2.4 0/229.006.0016 (u. 1)
53515	<ul style="list-style-type: none">● RETEN 10x31x13.5 0/229.000.0180 (u. 1)

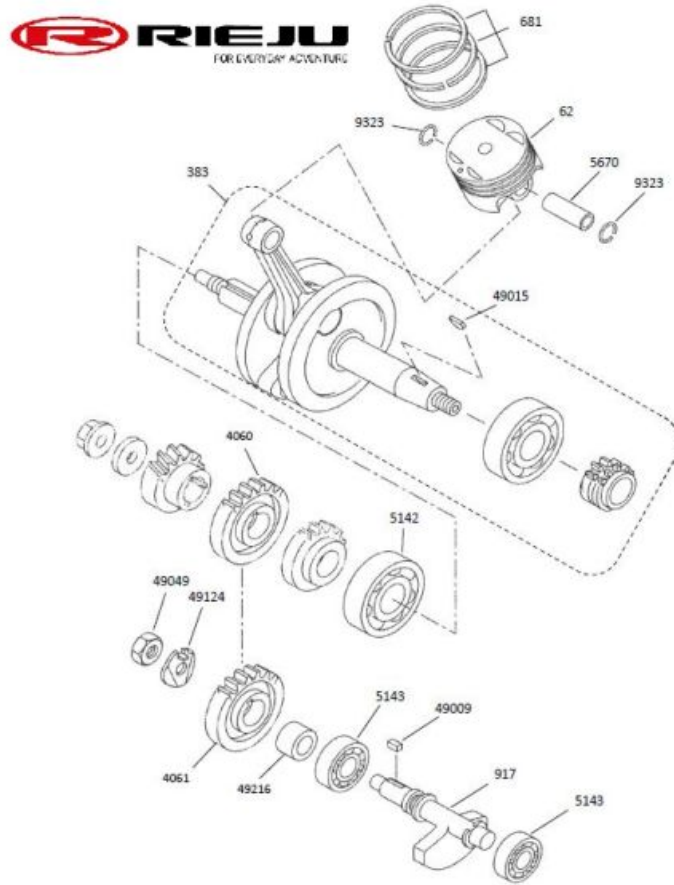
5101	<ul style="list-style-type: none"> RODAMIENTO 15x35x11 0/229.000.0066 (u. 1)
5124	<ul style="list-style-type: none"> COLLAR 0/226.009.0016 (u. 1)
5148	<ul style="list-style-type: none"> RODAMIENTO 20X42x12 0/229.000.0071 (u. 1)
5172	<ul style="list-style-type: none"> RODAMIENTO 17x40x12 0/229.000.0072 (u. 1)
9345	<ul style="list-style-type: none"> ANILLO SEEGER 0/006.250.0277 (u. 1)
9350	<ul style="list-style-type: none"> ANILLO SEEGER 0/006.250.0210 (u. 1)
24143	<ul style="list-style-type: none"> TAPON ROSCADO INTERIOR CULATA 0/229.000.0109 (u. 1)
26110	<ul style="list-style-type: none"> PLETINA FIJACION RODAMIENTO 0/229.000.0113 (u. 1)
49297	<ul style="list-style-type: none"> TORNILLO M6x10 0/229.000.0134 (u. 1)
49343	<ul style="list-style-type: none"> ARANDELA ARBOL TRANSMISION SECUNDARIO 0/229.000.0145 (u. 1)
49344	<ul style="list-style-type: none"> WASHER PLAIN 0/226.009.0026 (u. 1)
49349	<ul style="list-style-type: none"> WASHER 0/226.009.0027 (u. 1)
49350	<ul style="list-style-type: none"> WASHER 0/226.009.0028 (u. 1)
49432	<ul style="list-style-type: none"> TORNILLO M6x12 0/229.000.0150 (u. 2)
51125	<ul style="list-style-type: none"> RODAMIENTO ARBOL TRANSMISION SECUNDARIO 0/229.000.0164 (u. 1)
53499	<ul style="list-style-type: none"> RETEN 38x21x6 0/229.000.0179 (u. 1)

SUMP



701	<ul style="list-style-type: none"> CARTER COMPLETO 0/229.000.0020 (u. 1)
5614	<ul style="list-style-type: none"> CASQUILLO 10x14x8,5 0/229.000.0085 (u. 2)
49247	<ul style="list-style-type: none"> TORNILLO M6x70 0/229.000.0130 (u. 4)
49324	<ul style="list-style-type: none"> TORNILLO M6x45 0/229.000.0137 (u. 7)
49325	<ul style="list-style-type: none"> TORNILLO M6x55 0/229.000.0138 (u. 2)
49334	<ul style="list-style-type: none"> TORNILLO M6x40 0/229.000.0143 (u. 1)

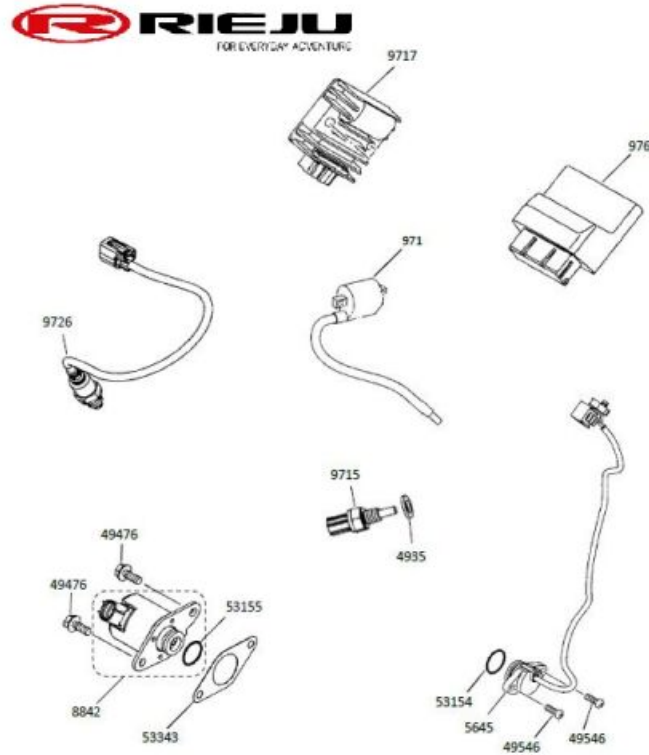
CRANKSHAFT-PISTON



62	<ul style="list-style-type: none"> PISTON Ø52 0/229.000.0005 (u. 1)
383	<ul style="list-style-type: none"> CIGUEÑAL COMPLETO 0/229.001.0005 (u. 1)
681	<ul style="list-style-type: none"> JUEGO DE SEGMENTOS 0/229.001.0006 (u. 1)
917	<ul style="list-style-type: none"> EJE BALANCE 0/229.000.0024 (u. 1)
4060	<ul style="list-style-type: none"> PIÑÓN CONTRA ARBOL CIGUEÑAL 0/229.000.0053 (u. 1)
4061	<ul style="list-style-type: none"> PIÑÓN CONTRA ARBOL EJE BALANCE 0/229.000.0054 (u. 1)
5142	<ul style="list-style-type: none"> RODAMIENTO 1 0/229.001.0014 (u. 1)
5143	<ul style="list-style-type: none"> RODAMIENTO 17x40x12 0/229.000.0070 (u. 2)
5670	<ul style="list-style-type: none"> BULON PISTON 0/229.000.0093 (u. 1)
9323	<ul style="list-style-type: none"> CIRCLIP 0/226.001.0018 (u. 2)
49009	<ul style="list-style-type: none"> KEY, STRAIGHT 0/226.001.0019 (u. 1)
49015	<ul style="list-style-type: none"> CHAVETA 13x3x5 0/229.000.0117 (u. 1)
49049	<ul style="list-style-type: none"> TUERCA M10 0/229.000.0119 (u. 1)
49124	<ul style="list-style-type: none"> ARANDELA PIÑÓN CONTRA ARBOL EJE BALANCE 0/229.000.0124 (u. 1)

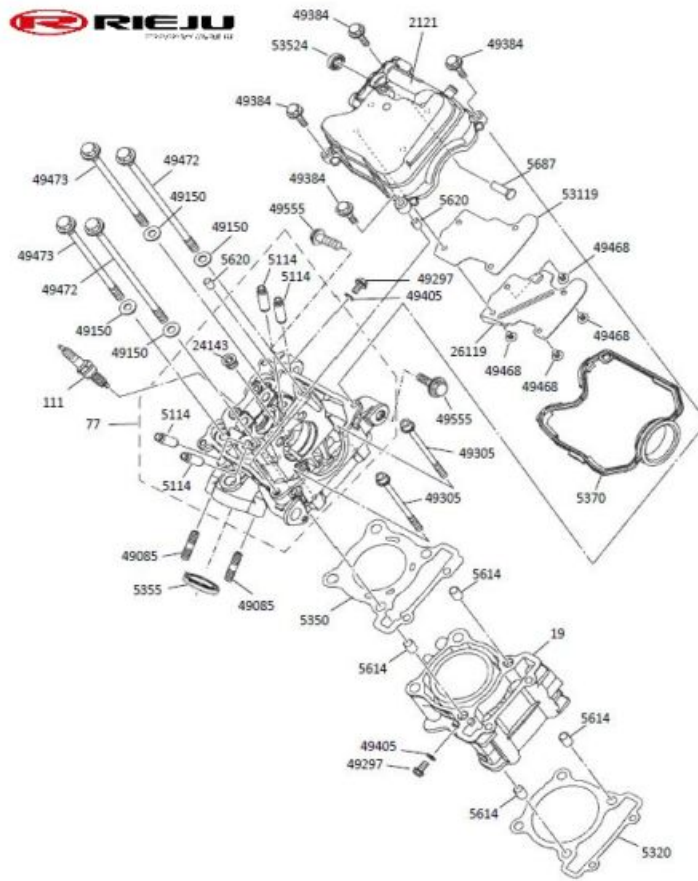
49216 • CASQUILLO EJE BALANCE
0/229.000.0127 (u. 1)

ELECTRIC COMPONENTS



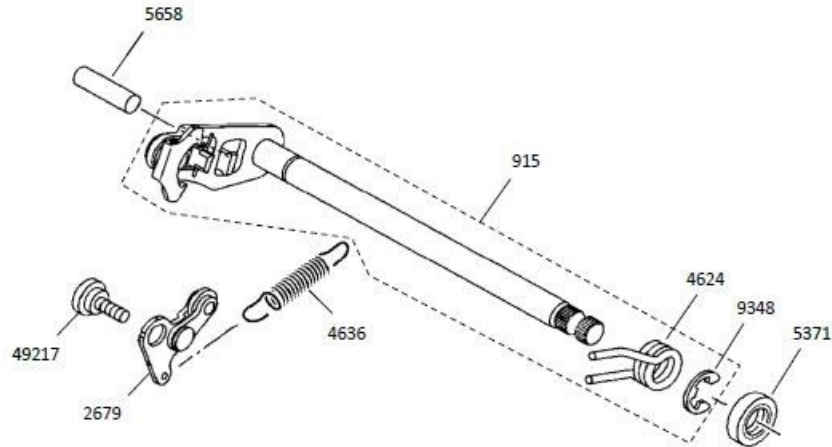
971	<ul style="list-style-type: none"> BOBINA E5 125WR 0/229.000.0001 (u. 1)
976	<ul style="list-style-type: none"> KIT ECU + CUERPO MARIPOSA MARATHON 125 E5 0/K05.705.6002 (u. 1)
4935	<ul style="list-style-type: none"> ARANDELA SENSOR TEMPERATURA AGUA 0/229.000.0064 (u. 1)
5645	<ul style="list-style-type: none"> SENSOR CAMBIO MARCHAS 0/229.000.0089 (u. 1)
8842	<ul style="list-style-type: none"> BOBINA SOLENOIDE ARBOL LEVAS 0/229.000.0099 (u. 1)
9715	<ul style="list-style-type: none"> SONDA TEMPERATURA AGUA 0/229.012.0007 (u. 1)
9717	<ul style="list-style-type: none"> REGULADOR 0/229.012.0008 (u. 1)
9726	<ul style="list-style-type: none"> SONDA LAMBDA 0/229.000.0106 (u. 1)
49476	<ul style="list-style-type: none"> TORNILLO M6x16 0/229.000.0159 (u. 2)
49546	<ul style="list-style-type: none"> TORNILLO M5x16 0/229.000.0162 (u. 2)
53154	<ul style="list-style-type: none"> JUNTA TORICA SENSOR CAMBIO MARCHAS 0/229.000.0170 (u. 1)
53155	<ul style="list-style-type: none"> JUNTA TORICA BOBINA SOLENOIDE 0/229.000.0171 (u. 1)
53343	<ul style="list-style-type: none"> JUNTA METALICA BOBINA SELENOIDE 0/229.000.0177 (u. 1)

CYLINDER HEAD



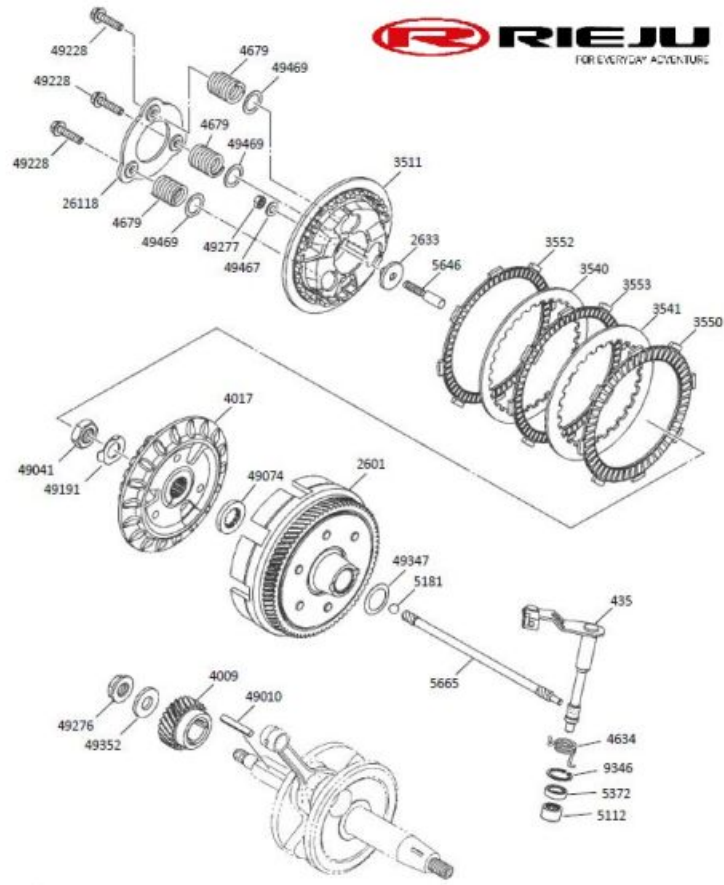
19	●	CILINDRO Ø52 0/229.000.0004 (u. 1)
77	●	CULATA CILINDRO COMPLETA 0/229.000.0006 (u. 1)
111	●	BUJIA 0/229.001.0004 (u. 1)
2121	●	TAPA CULATA CILINDRO 0/229.000.0028 (u. 1)
5114	●	GUIA VALVULA ADMISION 0/229.000.0067 (u. 4)
5320	●	JUNTA DE CILINDRO 0/229.001.0015 (u. 1)
5350	●	JUNTA CULATA 0/229.001.0016 (u. 1)
5355	●	JUNTA COLECTOR 0/229.000.0079 (u. 1)
5370	●	JUNTA TAPA CULATA 0/229.001.0030 (u. 1)
5614	●	CASQUILLO 10x14x8,5 0/229.000.0085 (u. 4)
5620	●	CASQUILLO CENTRADOR TAPA CULATA 0/005.560.2670 (u. 1)
5687	●	PASADOR CILINDRO 0/229.000.0095 (u. 1)
49085	●	ANTIVIBRACION CULATA 0/229.000.0122 (u. 2)
49150	●	ARANDELA PLANA Ø18X8.2X1.6 0/229.000.0125 (u. 4)

49297	<ul style="list-style-type: none">● TORNILLO M6x10 0/229.000.0134 (u. 2)
49305	<ul style="list-style-type: none">● TORNILLO M6x100 0/229.000.0135 (u. 2)
49384	<ul style="list-style-type: none">● BOLT, FLANGE 95022-06030 (u. 4)
49405	<ul style="list-style-type: none">● ARANDELA 6x11x1 0/229.000.0148 (u. 2)
49468	<ul style="list-style-type: none">● TAPA INTERIOR INFERIOR TAPA BALANCINES 0/229.000.0152 (u. 4)
49472	<ul style="list-style-type: none">● TORNILLO CILINDRO M8x1.25 L=200 0/229.000.0155 (u. 2)
49473	<ul style="list-style-type: none">● TORNILLO CILINDRO M8x1.25 L=155 0/229.000.0156 (u. 2)
53119	<ul style="list-style-type: none">● TAPA INTERIOR SUPERIOR TAPA BALANCINES 0/229.000.0167 (u. 1)
53524	<ul style="list-style-type: none">● RETEN 18x6,8x6 0/229.000.0181 (u. 1)

SELECTOR SHIFT


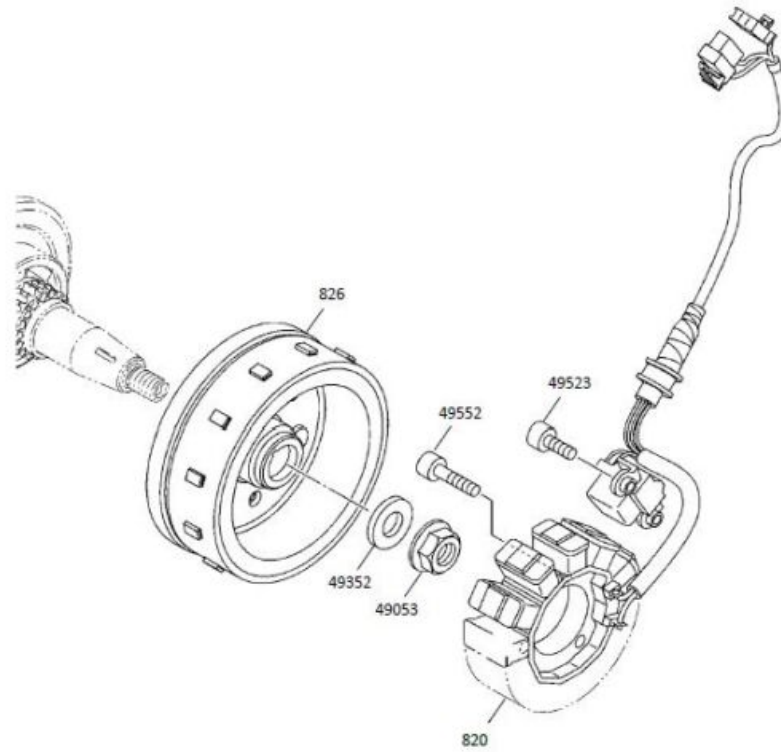
915	● EJE SELECTOR COMPLETO 0/229.000.0023 (u. 1)	
2679	● PALANCA DE TOPE SELECTOR 0/229.000.0037 (u. 1)	
4624	● SPRG., TORSION 0/226.010.0007 (u. 1)	OBSOLETE
4636	● MUELLE SELECTOR CAMBIO 0/229.000.0061 (u. 1)	
5371	● RETEN ACEITE EJE SELECTOR 12x22x5 0/229.000.0082 (u. 1)	
5658	● CENTRADOR MUELLE SELECTOR 0/229.000.0091 (u. 1)	
9348	● ANILLO EJE SELECTOR 0/229.000.0105 (u. 1)	
49217	● TORNILLO PALANCA TOPE SELECTOR 0/229.000.0128 (u. 1)	

CLUTCH



435	<ul style="list-style-type: none"> ● LEVA DE EMBRAGUE 0/229.000.0015 (u. 1)
2601	<ul style="list-style-type: none"> ● CAMPANA EMBRAGUE 0/229.008.0033 (u. 1)
2633	<ul style="list-style-type: none"> ● PLATINA EMBRAGUE 0/229.000.0035 (u. 1)
3511	<ul style="list-style-type: none"> ● DISCO FINAL TAPA EMBRAGUE 0/229.000.0040 (u. 1)
3540	<ul style="list-style-type: none"> ● DISCO SEPARADOR EMBRAGUE n1 0/229.000.0041 (u. 1)
3541	<ul style="list-style-type: none"> ● JUEGO DISCOS EMBRAGUE v.2 0/229.008.0032 (u. 1)
3550	<ul style="list-style-type: none"> ● DISCO FRICCION n1 0/229.000.0042 (u. 1)
3552	<ul style="list-style-type: none"> ● DISCO FRICCION n2 0/229.008.0031 (u. 1)
3553	<ul style="list-style-type: none"> ● DISCO FRICCION n3 0/229.000.0043 (u. 1)
4009	<ul style="list-style-type: none"> ● PIÑÓN MOTOR Z=24 0/229.000.0044 (u. 1)
4017	<ul style="list-style-type: none"> ● TAMBOR EMBRAGUE 0/229.008.0010 (u. 1)
4634	<ul style="list-style-type: none"> ● MUELLE RETORNO EMBRAGUE 0/229.000.0060 (u. 1)
4679	<ul style="list-style-type: none"> ● MUELLE RETORNO EMBRAGUE 0/229.008.0011 (u. 3)
5181	<ul style="list-style-type: none"> ● BOLA FINAL EJE EMPUJE 0/229.000.0073 (u. 1)

5372	● OIL SEAL 0/226.008.0016 (u. 1)	
5646	● EJE EMPUJE FRICCION 0/229.000.0090 (u. 1)	
5665	● EJE INTERNO CUBO EMBRAGUE 0/229.000.0092 (u. 1)	
9346	● CIRCLIP 0/226.008.0019 (u. 1)	OBSOLETE
26118	● PLETINA FIJACION MUELLES EMBRAGUE 0/229.000.0114 (u. 1)	
49010	● KEY,FEATHER 0/226.008.0020 (u. 1)	
49041	● TUERCA M14 0/229.000.0118 (u. 1)	
49074	● ARANDELA CAMPANA EMBRAGUE 0/229.000.0121 (u. 1)	
49191	● ARANDELA SEGURIDAD TUERCA EMBRAGUE 0/229.000.0126 (u. 1)	
49228	● TORNILLO SUJECION MUELLE EMBRAGUE 0/229.000.0129 (u. 1)	
49276	● NUT 0/226.008.0026 (u. 1)	
49277	● TUERCA DISCO FINAL TAPA EMBRAGUE 0/229.000.0133 (u. 1)	
49347	● WASHER CONICAL SPRING 0/226.008.0028 (u. 1)	
49352	● ARANDELA 12x27x3 0/229.000.0146 (u. 1)	
49467	● ARANDELA DISCO FINAL TAPA EMBRAGUE 0/229.000.0151 (u. 1)	
49469	● ARANDELA MUELLE CAMPANA EMBRAGUE 0/229.000.0153 (u. 3)	

MAGNETIC FLYWHEEL


820 ● BASE STATOR CON BOBINAS
0/229.011.0004 (u. 1)

826 ● ROTOR VOLANTE
0/229.011.0005 (u. 1)

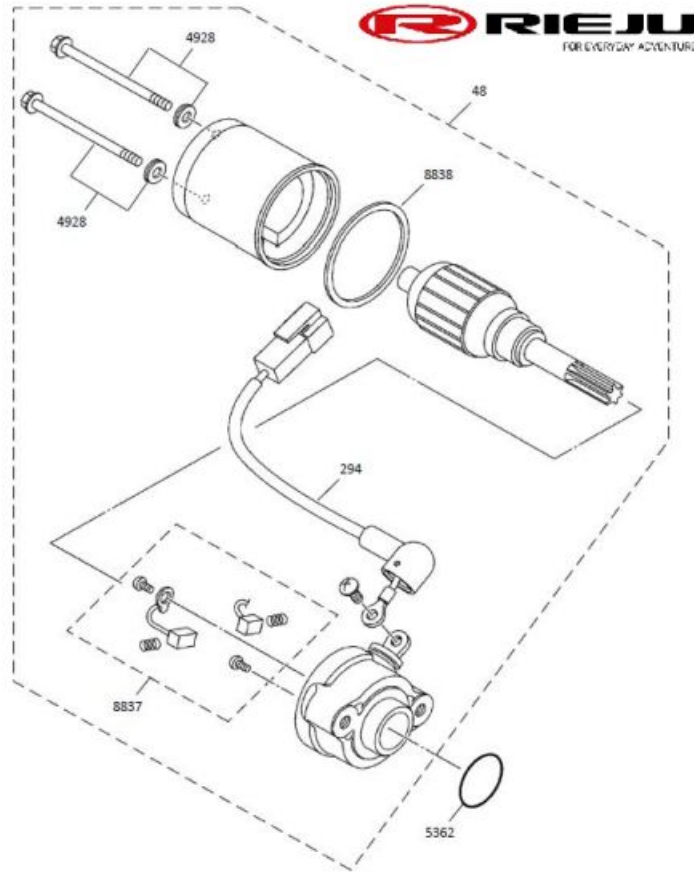
49053 ● TUERCA M12 CON ARANDELA
0/229.000.0120 (u. 1)

49352 ● ARANDELA 12x27x3
0/229.000.0146 (u. 1)

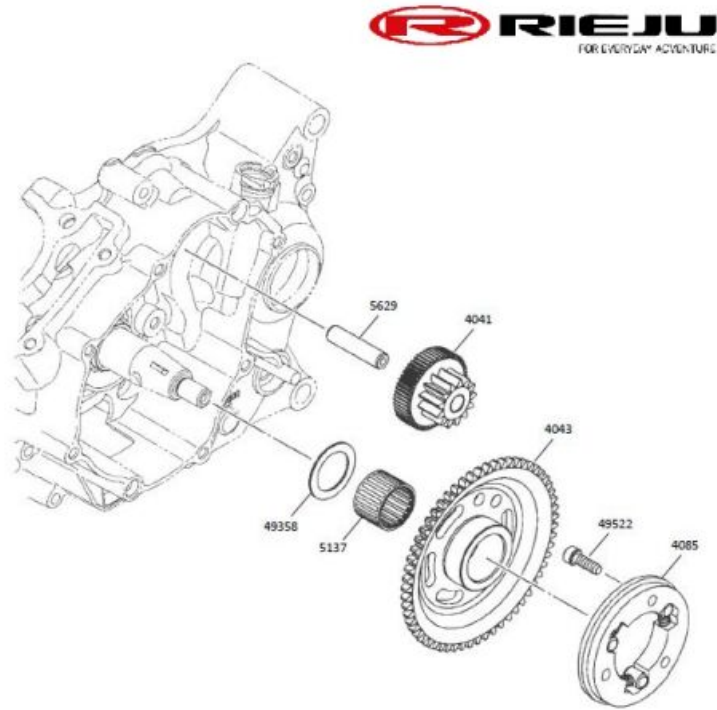
49523 ● TORNILLO M6x16
0/229.000.0161 (u. 1)

4952 ● TORNILLO M6x25
0/229.000.0163 (u. 1)

START ENGINE

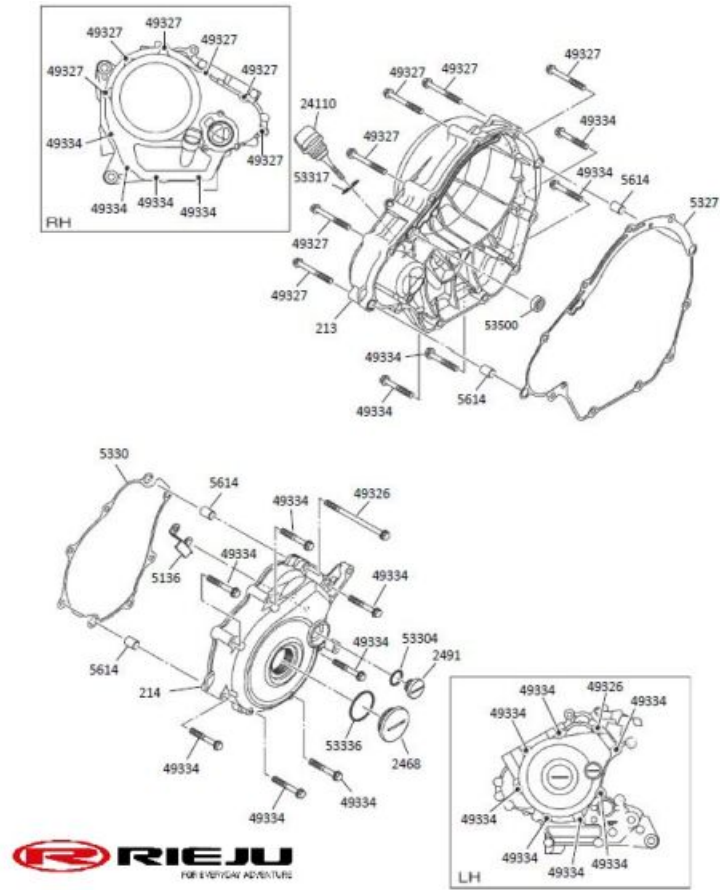


48	<ul style="list-style-type: none"> MOTOR ARRANQUE 0/229.011.0001 (u. 1)
294	<ul style="list-style-type: none"> INSTALACION MOTOR ARRANQUE 0/229.000.0011 (u. 1)
4928	<ul style="list-style-type: none"> TORNILLO MOTOR ARRANQUE 0/229.000.0062 (u. 1)
5362	<ul style="list-style-type: none"> ANILLO SELLADO MOTOR ARRANQUE 0/229.000.0080 (u. 1)
8837	<ul style="list-style-type: none"> SET INTERNO PIEZAS BOMBA AGUA 0/229.000.0097 (u. 1)
8838	<ul style="list-style-type: none"> JUNTA MOTOR ARRANQUE 0/229.000.0098 (u. 1)

STARTER SYSTEM


4041	<ul style="list-style-type: none"> ● GEAR, 2 0/226.007.0001 (u. 1)
4043	<ul style="list-style-type: none"> ● PIÑON 6a ARBOL SECUNDARIO 0/229.000.0052 (u. 1)
4085	<ul style="list-style-type: none"> ● RUEDA LIBRE COMPLETA 0/229.007.0003 (u. 1)
5137	<ul style="list-style-type: none"> ● RODAMIENTO AGUJA 30x25x19,8 0/229.000.0069 (u. 1)
5629	<ul style="list-style-type: none"> ● EJE SOPORTE INTERMEDIO 0/229.000.0086 (u. 1)
49358	<ul style="list-style-type: none"> ● SILVER WASHER D25 0/226.007.0010 (u. 1)
49522	<ul style="list-style-type: none"> ● TORNILLO M6x20 0/229.000.0160 (u. 1)

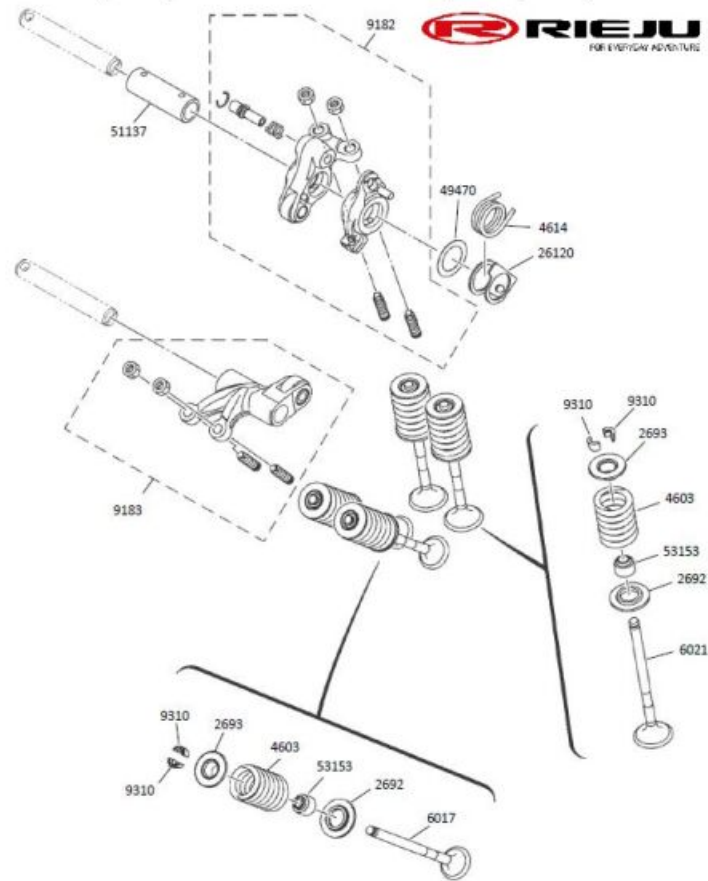
COVERS



213	●	TAPA EMBRAGUE 0/229.000.0008 (u. 1)	
214	●	TAPA VOLANTE 0/229.000.0009 (u. 1)	
2468	●	TAPON DRENAJE ACEITE 1 0/229.000.0033 (u. 1)	
2491	●	TAPON DRENAJE ACEITE 2 0/229.000.0034 (u. 1)	
5136	●	SOPORTE FIJACION CABLES 0/229.000.0068 (u. 1)	
5327	●	GSKT, CRANKCASE COVER 3 0/226.006.0005 (u. 1)	
	●	GSKT, CRANKCASE COVER 3 0/226.006.0005 (u. 1)	
	●	JUNTA TAPA EMBRAGUE EURO4 0/000.490.5007 (u. 1)	OBSOLETE
5330	●	JUNTA TAPA VOLANTE 0/229.006.0006 (u. 1)	
5614	●	CASQUILLO 10x14x8,5 0/229.000.0085 (u. 4)	
24110	●	TAPON NIVEL ACEITE 0/229.006.0007 (u. 1)	
49326	●	TORNILLO M6x90 0/229.000.0139 (u. 1)	
49327	●	TORNILLO M6x50 0/229.000.0140 (u. 7)	
49334	●	TORNILLO M6x40 0/229.000.0143 (u. 11)	

53304	<ul style="list-style-type: none">● JUNTA TORICA TAPON ACEITE 0/229.000.0172 (u. 1)
53317	<ul style="list-style-type: none">● ANILLO 19X2.4 0/229.006.0016 (u. 1)
53336	<ul style="list-style-type: none">● JUNTA TORICA TAPON ACEITE 0/229.000.0175 (u. 1)
53500	<ul style="list-style-type: none">● RETEN ACEITE 0/229.003.0017 (u. 1)

VALVES



2692 ● CASQUILLO RESORTE VALVULA INFERIOR
0/229.000.0038 (u. 1)

2693 ● CASQUILLO RESORTE VALVULA SUPERIOR
0/229.000.0039 (u. 1)

4603 ● MUELLE VALVULA
0/229.000.0057 (u. 1)

4614 ● MUELLE BALANCIN
0/229.000.0058 (u. 1)

6021 ● VALVULA ADMISION
0/229.002.0010 (u. 1)

9182 ● BRAZO BALANCIN COMPLETO 1
0/229.000.0101 (u. 1)

9183 ● BRAZO BALANCIN COMPLETO 2
0/229.000.0102 (u. 1)

9310 ● SEGURO VALVULA
0/229.000.0103 (u. 2)

26120 ● PLATINA FIJACION MUELLE BALANCIN
0/229.000.0116 (u. 1)

49470 ● ARANDELA BALANCIN Ø21x15x2.3
0/229.000.0154 (u. 1)

51137 ● EJE BALANCIN
0/229.000.0166 (u. 1)

53153 ● RETEN ACEITE VALVULA
0/229.002.0028 (u. 1)