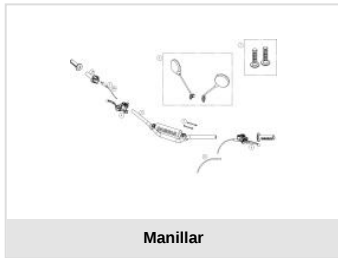


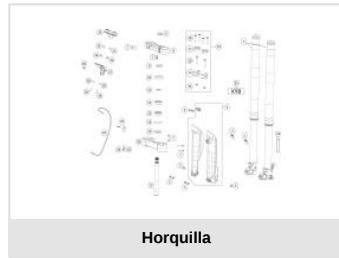


MR RANGER 300 Black 2020

Exploded



Manillar



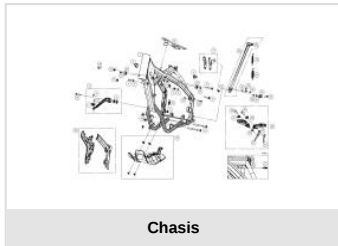
Horquilla



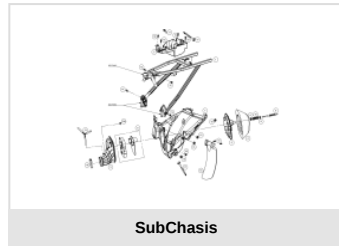
Repuestos Horquilla



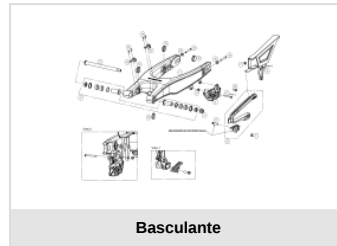
Herramientas KYB



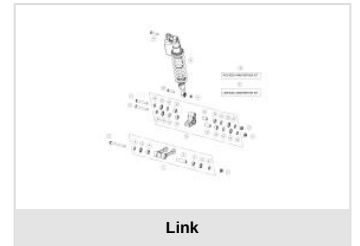
Chasis



SubChasis



Basculante



Link



Amortiguador



Radiador



Parte Eléctrica



Guardabarros delantero



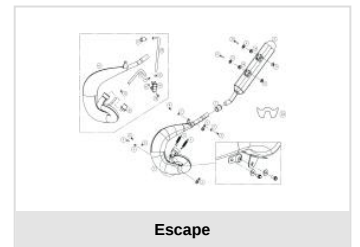
Faro Delantero



Depósito



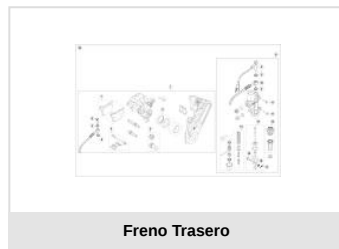
Plástica Trasera



Escape



Freno Delantero



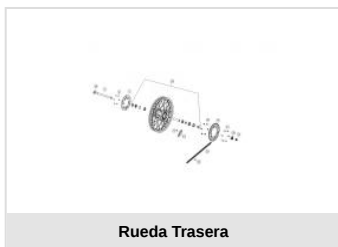
Freno Trasero



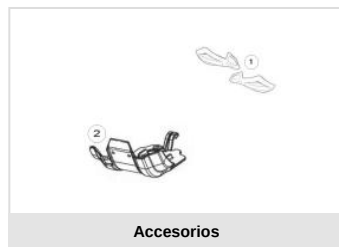
Mando Embrague



Rueda Delantera

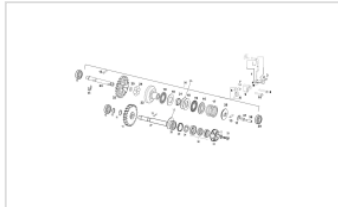


Rueda Trasera

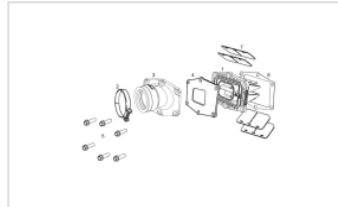


Accesorios

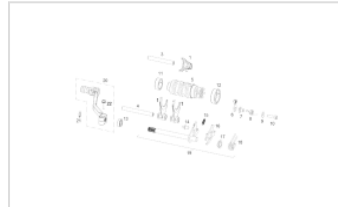
MR RANGER 2020 - Engine



Bomba de agua



Válvula de láminas



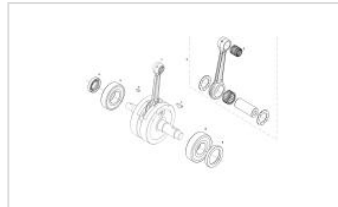
Eje de Cambio



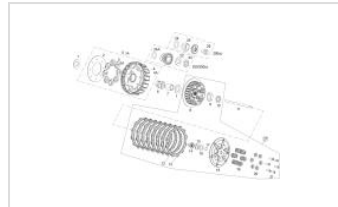
Cárter de Motor



Generador



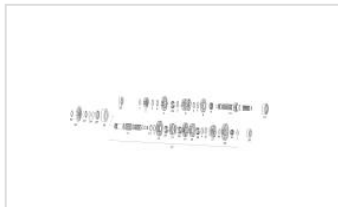
Cigüeñal



Embrague



Cilindro



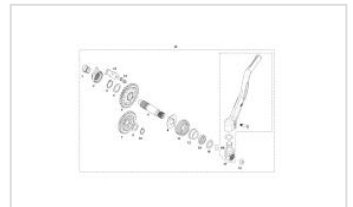
Cambio



Carburador

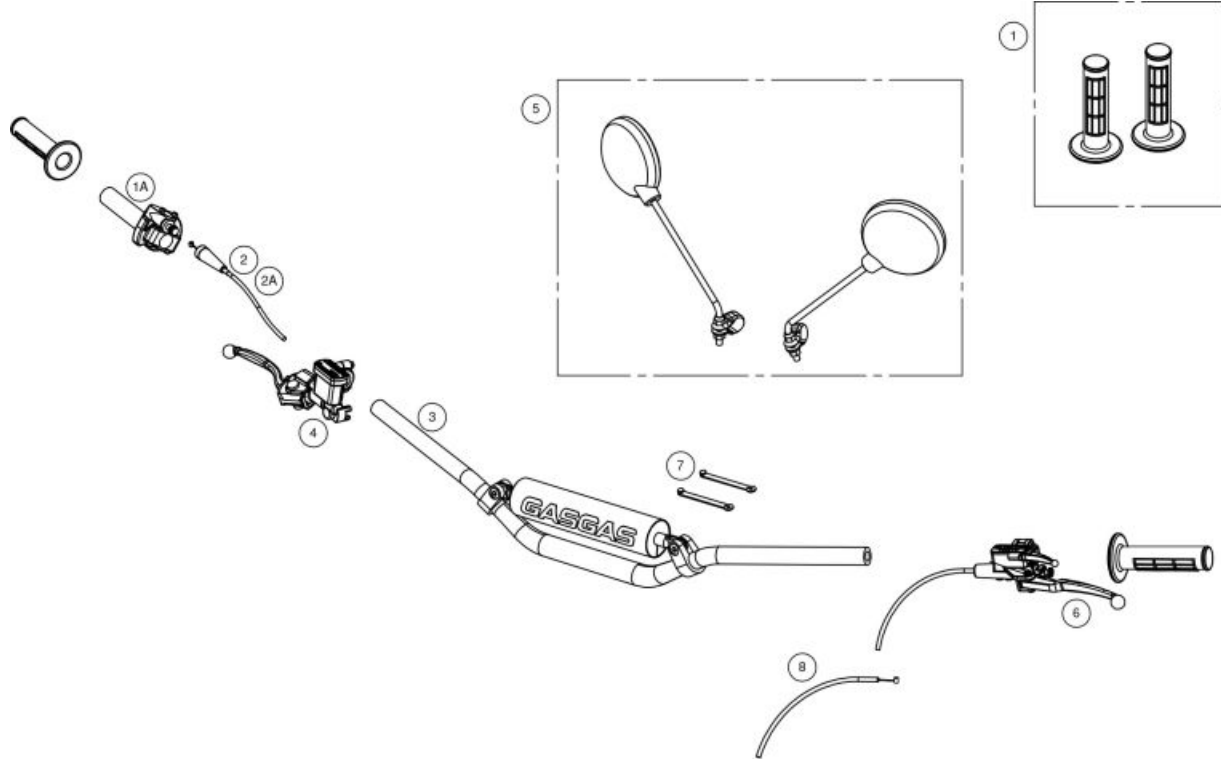


Herramientas Motor



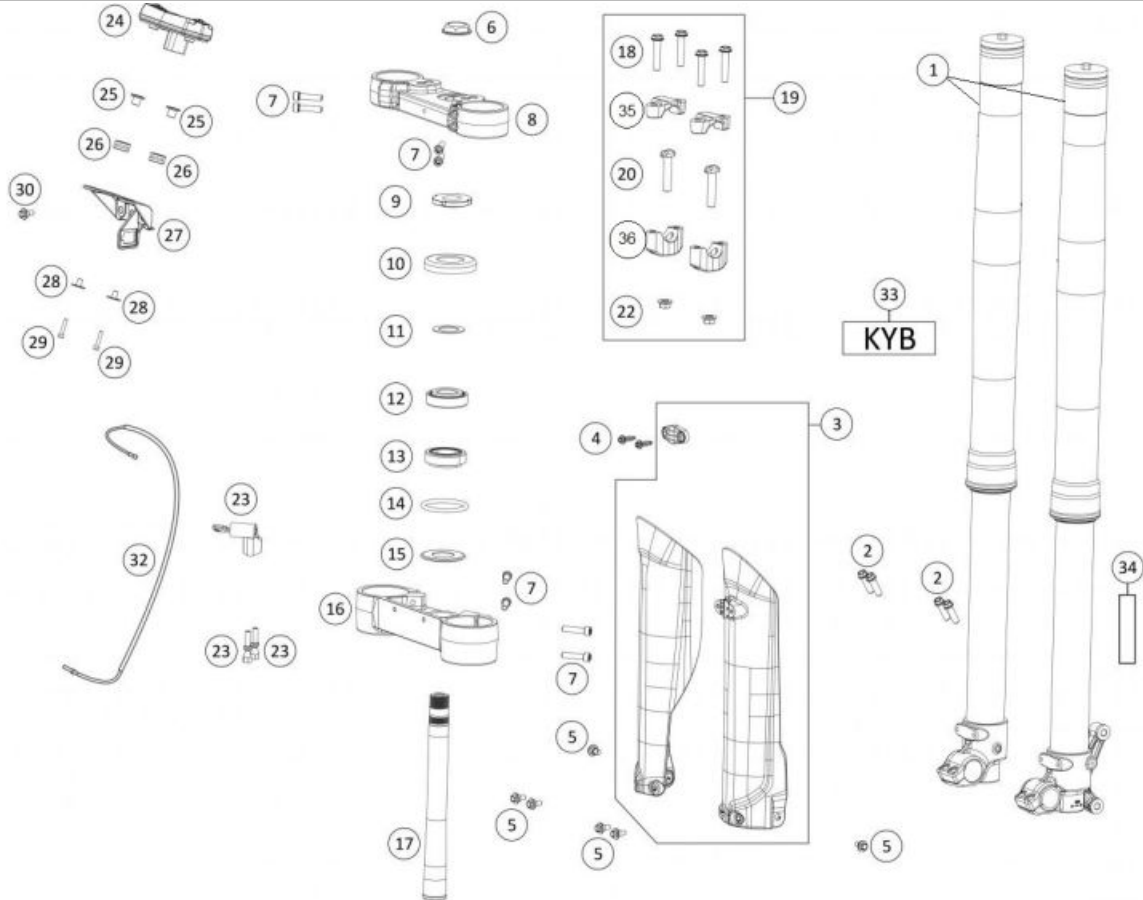
KIT KICK START LEVER EC

Manillar



1	<ul style="list-style-type: none"> JUEGO EMPUÑADURA EC 2016 NEGRO 0/000.530.9102 (u. 1)
1A	<ul style="list-style-type: none"> PUÑO GAS TT (3291.03.00-1) 0/000.530.9100 (u. 1)
2	<ul style="list-style-type: none"> CABLE DE GAS ENDURO 2018 0/000.550.9101 (u. 1)
2A	<ul style="list-style-type: none"> CABLE DE GAS ENDURO 2018 DE HOMOLOGACION 0/000.550.9102 (u. 1)
3	<ul style="list-style-type: none"> MANILLAR EC RACING 2014 MT339KP 0/000.170.9100 (u. 1)
4	<ul style="list-style-type: none"> BOMBA FRENO DELANTERO ECRANGER BE61000CT-CTR-1 (u. 1)
5	<ul style="list-style-type: none"> CTO.ESPEJO RETROVISOR(REG 81) 0/000.990.9100 (u. 1)
6	<ul style="list-style-type: none"> CTO.EMBR.EC MAGURA 9.5 DOT-4 (167) 0/000.830.9101 (u. 1)
7	<ul style="list-style-type: none"> GOMA SUJ.CABLEADOS 0/000.360.9110 (u. 2) CLAMP INSTALLATION 0/000.680.0060 (u. 2)
8	<ul style="list-style-type: none"> CABLE STARTER ENDURO 2018 0/000.550.9100 (u. 1)

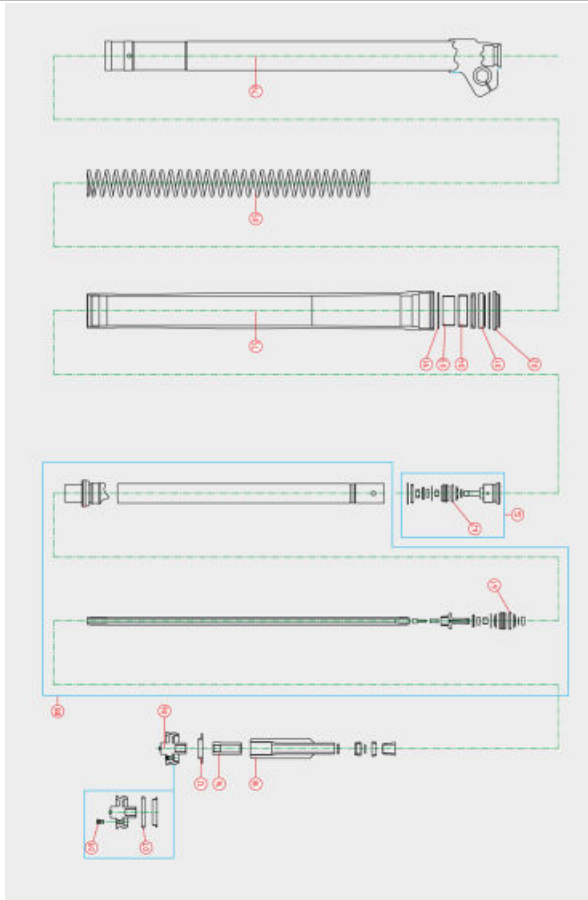
Horquilla



1	<ul style="list-style-type: none"> ● CJTO. SUSPENSION MR RANGER 0/K00.130.9102 (u. 1)
2	<ul style="list-style-type: none"> ● TORN.ESP.8X25 GEOMET 10.9 0/000.460.9137 (u. 4)
3	<ul style="list-style-type: none"> ● JUEGO PROT.HORQ.EC 2018 BL. BE94600CT-CLJ-1 (u. 1)
4	<ul style="list-style-type: none"> ● TORNILLO ESPECIAL ROSCA PLASTICO CABOTA HEXAGONAL CON ARANDELA 6X20 T0806020 (u. 2) ● TORNILLO DEPÓSITO - SILLÍN Ø6x23 (EJOT ref. 05100519) T0806023 (u. 2)
5	<ul style="list-style-type: none"> ● TORN.ESP.6X8 DRACOMET 0/000.460.9162 (u. 6)
6	<ul style="list-style-type: none"> ● TUERCA DIR.SUP. 0/000.340.9102 (u. 1)
7	<ul style="list-style-type: none"> ● ALLEN 7X30 DIN 912 ZINC 12.9 0/000.460.9151 (u. 10)
8	<ul style="list-style-type: none"> ● BRIDA SUSPENSION SUPERIOR PAMPERA 0/000.660.9103 (u. 1)
9	<ul style="list-style-type: none"> ● TUERCA DIR.INFE. 0/000.340.9101 (u. 1)
10	<ul style="list-style-type: none"> ● GUARDAPOLVO COJ.DIR.TT NEGRO 0/000.200.9100 (u. 1)
11	<ul style="list-style-type: none"> ● ARANDELA DIR.INF. 0/000.440.9101 (u. 1)
12	<ul style="list-style-type: none"> ● COJINETE DIR.30205A 0/000.960.9101 (u. 1)
13	<ul style="list-style-type: none"> ● COJINETE DIR.INF.320/28 0/000.960.9100 (u. 1)

14	<ul style="list-style-type: none"> TORICA DIR.50X5 0/000.490.9102 (u. 1)
15	<ul style="list-style-type: none"> CAZOLETA DIR.D28 0/000.200.9101 (u. 1)
16	<ul style="list-style-type: none"> BRIDA SUSPENSION INFERIOR PAMPERA 0/000.660.9101 (u. 1)
17	<ul style="list-style-type: none"> EJE DIRECCION 0/000.190.9100 (u. 1)
18	<ul style="list-style-type: none"> TORN.ESP.8X40 GEOMET 10.9 0/000.460.9140 (u. 4)
19	<ul style="list-style-type: none"> CTO. BRIDAS MANILLAR EC 2018 BE25700CT-CLJ-1 (u. 1)
20	<ul style="list-style-type: none"> TORN.ESP.10X45 BRIDA INF. G5 12.9 0/000.460.9113 (u. 2)
22	<ul style="list-style-type: none"> TUERCA AUTOB.M10 PASO 1.50 ARAND. DIN 6926 ZINC 8 0/000.340.9124 (u. 2)
23	<ul style="list-style-type: none"> KIT BLOQUEO DIRECCION ENDURO 2018 BE15025CT-CLJ-1 (u. 1)
24	<ul style="list-style-type: none"> CTO.MULTIFUNCION "EVEREST" EC 2018 0/001.000.9100 (u. 1)
25	<ul style="list-style-type: none"> CASQ.ALUMINIO SILENBLOCK FIJ.RAD. 0/000.480.9116 (u. 2)
26	<ul style="list-style-type: none"> RUBBER 0/000.360.4002 (u. 2)
	<ul style="list-style-type: none"> RUBBER 0/000.360.4002 (u. 2)
	<ul style="list-style-type: none"> GOMAS RAD.A CHASIS =BE25632003 0/000.360.9112 (u. 2)
	<ul style="list-style-type: none"> RUBBER 0/000.360.4002 (u. 2)
27	<ul style="list-style-type: none"> SOPORTE MULTIFUNCION 0/000.980.9108 (u. 1)
28	<ul style="list-style-type: none"> CASQ.GOMA MULTIFUNION ENDURO 2018 0/000.480.9118 (u. 2)
29	<ul style="list-style-type: none"> ALLEN 4X16 DIN 912 INOX A2 0/000.460.9143 (u. 2)
30	<ul style="list-style-type: none"> TORN.ESP.6x7 DRACOMET 0/000.460.9161 (u. 1)
32	<ul style="list-style-type: none"> SENSOR CUENTA KM ENDURO 0/001.010.9100 (u. 1)
33	<ul style="list-style-type: none"> KIT ADH.BARRAS KAYABA ECRANGER BE95285GG-CTR-1 (u. 1)
34	<ul style="list-style-type: none"> CATADRIOPTICO ADHESIVO (8159) 0/000.630.9102 (u. 2)
35	<ul style="list-style-type: none"> BRIDA SUPERIOR MANILLAR NEGRA 0/000.350.9100 (u. 1)
36	<ul style="list-style-type: none"> BRIDA INFERIOR MANILLAR NEGRA 0/000.350.9102 (u. 1)

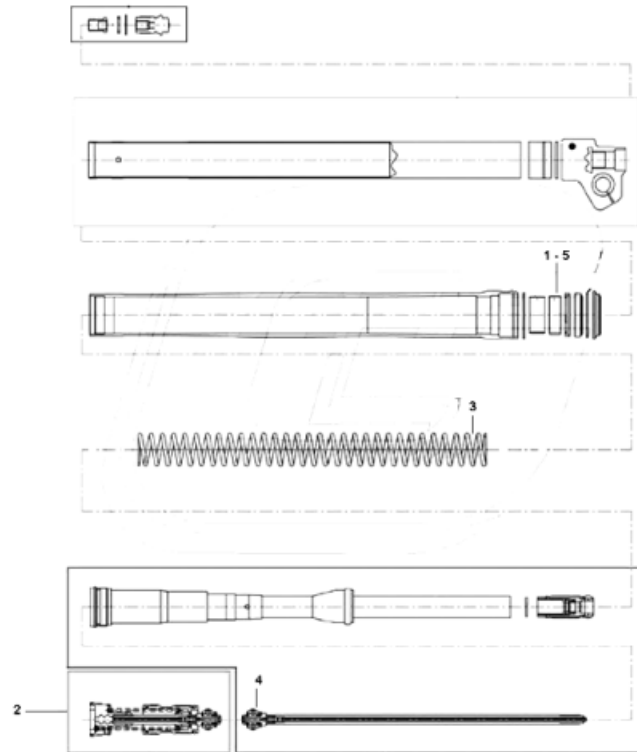
Repuestos Horquilla



- | | |
|----|---|
| 1 | <ul style="list-style-type: none"> CTO.RETENES SUSPENSION KAYABA ECRANGER
BE20140CT-CTR-1 (u. 1) |
| 2 | <ul style="list-style-type: none"> CTO.GUARDAPOLVO SUSPENSION KAYABA ECRANGER
BE20130CT-CTR-1 (u. 1) |
| 3 | <ul style="list-style-type: none"> GLACIER BOTELLA SUSPENSION KAYABA ECRANGER
BE20150GG-CTR-1 (u. 1) |
| 4 | <ul style="list-style-type: none"> GLACIER BARRA SUSPENSION KAYABA ECRANGER
BE20151GG-CTR-1 (u. 1) |
| 5 | <ul style="list-style-type: none"> CTO.MUELLES SUSPENSION K-4.2N KAYABA ECRANGER
BE20172CT-CTR-1 (u. 1) |
| | <ul style="list-style-type: none"> CTO.MUELLES SUSPENSION K-3.8N KAYABA ECRANGER
BE20171CT-CTR-1 (u. 1) |
| | <ul style="list-style-type: none"> CTO.MUELLES SUSPENSION K-4.0N KAYABA ECRANGER
BE20170CT-CTR-1 (u. 1) |
| 6 | <ul style="list-style-type: none"> CTO. TAPON COMPRESION ECRANGER
BE20125GG-CTR-1 (u. 1) |
| 7 | <ul style="list-style-type: none"> TORICA TAPON COMPRESION ECRANGER
BE20126GG-CTR-1 (u. 1) |
| 9 | <ul style="list-style-type: none"> TORNILLO TAPON REGULACION COMPRESION CON TORICA ECRANGER
BE20175GG-CTR-1 (u. 1) |
| 12 | <ul style="list-style-type: none"> MUELLE TAPON COMPRESION ECRANGER
BE20195GG-CTR-1 (u. 1) |
| 16 | <ul style="list-style-type: none"> TUERCA GUIA MUELLE ECRANGER
BE20156GG-CTR-1 (u. 1) |
| 18 | <ul style="list-style-type: none"> GUIA MUELLE ECRANGER
BE20155GG-CTR-1 (u. 1) |
| 49 | <ul style="list-style-type: none"> TAPON BASE COMPRESION ECRANGER
BE20250GG-CTR-1 (u. 1) |

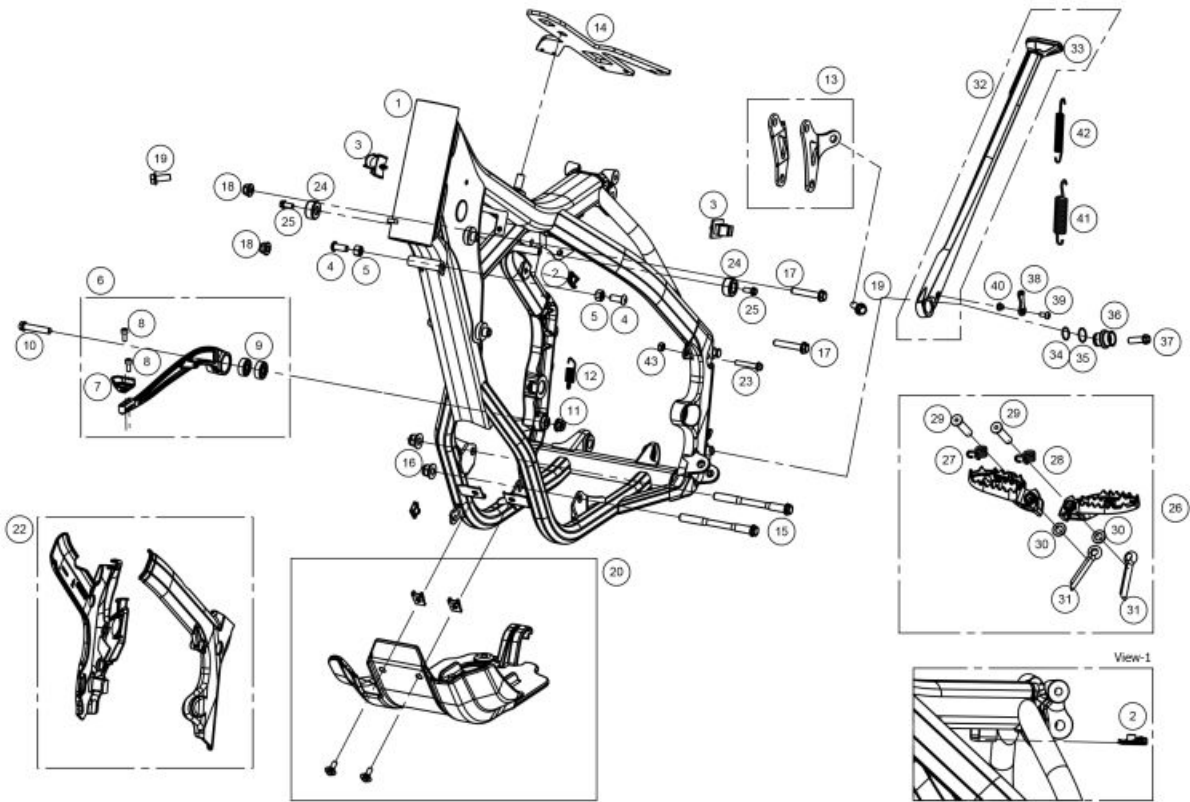
61	<ul style="list-style-type: none">SEEGER PISTON REBOTE ECRANGER BE20260GG-CTR-1 (u. 1)
62	<ul style="list-style-type: none">TORICA TAPON BASE COMPRESION ECRANGER BE20255GG-CTR-1 (u. 1)
75	<ul style="list-style-type: none">BOTELLA SUSPENSION KAYABA ECRANGER BE20100GG-CTR-1 (u. 1)
79	<ul style="list-style-type: none">CTO.BARRA SUSPENSION DERECHA KAYABA ECRANGER BE20110CT-CTR-1 (u. 1)
	<ul style="list-style-type: none">CTO.BARRA SUSPENSION IZQUIERDA KAYABA ECRANGER BE20115CT-CTR-1 (u. 1)
88	<ul style="list-style-type: none">BASTAGO COMPRESION ECRANGER BE20190GG-CTR-1 (u. 1)
91	<ul style="list-style-type: none">CIRCLIP SUSPENSION KAYABA ECRANGER BE20135GG-CTR-1 (u. 1)

Herramientas KYB



- | | |
|---|--|
| 1 | <ul style="list-style-type: none"> UTIL RETEN SUSPENSION KAYABA ENDURO
BE20225GG-CLJ-1 (u. 1) |
| 2 | <ul style="list-style-type: none"> LLAVE TAPON SUSPENSION KAYABA ENDURO
BE21105GG-CLJ-1 (u. 1) |
| 3 | <ul style="list-style-type: none"> UTIL SOPORTE PISTON AJUSTE SUSPENSION KAYABA ENDURO
BE20230GG-CLJ-1 (u. 1) |
| 4 | <ul style="list-style-type: none"> LLAVE TAPON CARTUCHO SUSPENSION KAYABA ENDURO
BE21106GG-CLJ-1 (u. 1) |
| 5 | <ul style="list-style-type: none"> UTIL INSERTADOR RETEN SUSPENSION KAYABA ENDURO
BE20235GG-CLJ-1 (u. 1) |

Chasis

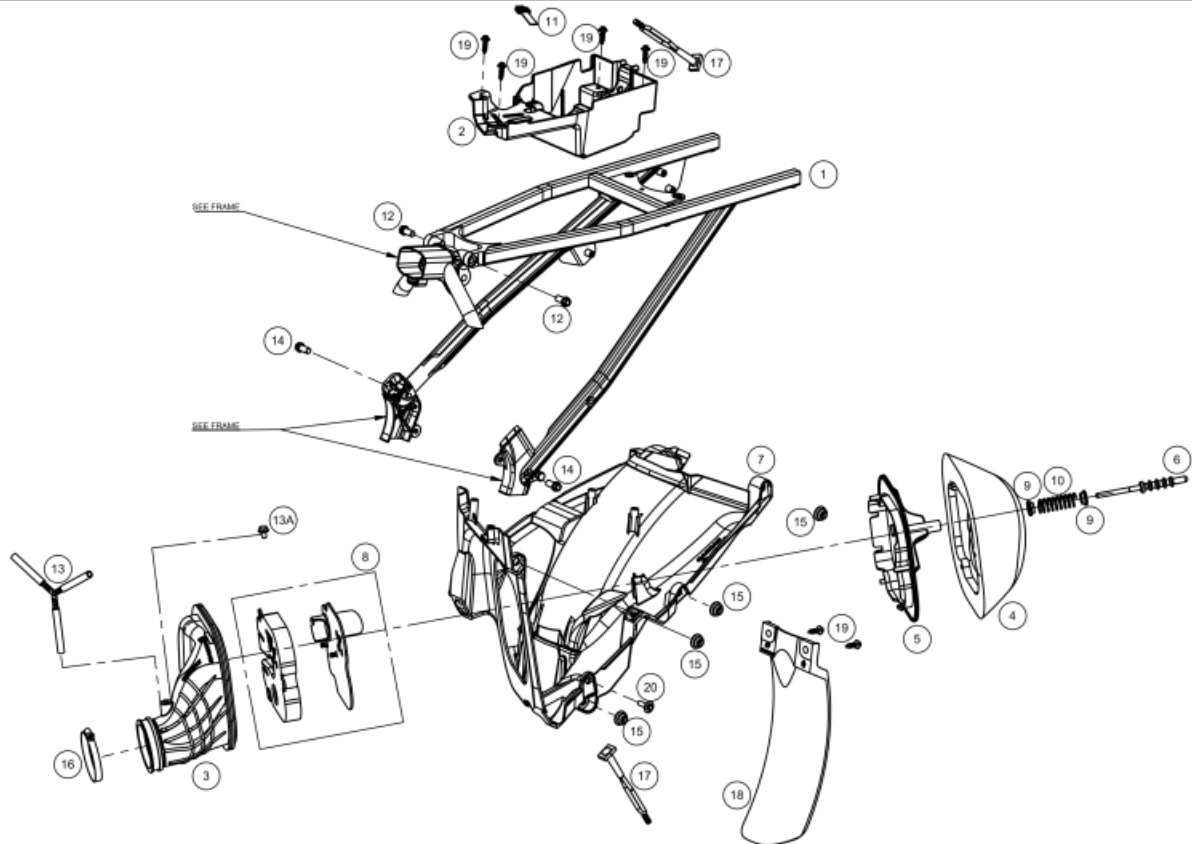


- | | |
|----|---|
| 1 | ● CHASIS EC 250 300 2T 2018 NEGRO
0/000.010.9100 (u. 1) |
| 2 | ● TUERCA NUT 956 RAPIDA M-6 HRc 40/48
0/000.340.9120 (u. 3) |
| 3 | ● CLIP (1E3J) SUJECIÓN INSTALACIÓN ENDURO 2018
0/000.630.9100 (u. 2) |
| 4 | ● ULS 8x25 ISO 7380-1 ZN 10.9
0/000.460.9157 (u. 2) |
| 5 | ● TUERCA tope DIR.M8x13x8 ISO 4033 ZINC
0/000.340.9109 (u. 2) |
| 6 | ● PEDAL FRENO ENDURO 2018
0/000.730.9100 (u. 1) |
| 7 | ● PUNTERA PEDAL FRENO
BE130102510 (u. 1) |
| 8 | ● ALLEN 5x12
T0305012 (u. 2) |
| 9 | ● RODAMIENTO 628-2RS
BE13025GG-CLJ-1 (u. 2) |
| 10 | ● TORN.ESP.8X40 GEOMET 10.9
0/000.460.9140 (u. 1) |
| 11 | ● TUERCA AUTOBL + ARANDELA M8 ZINC
0/000.340.9119 (u. 1) |
| 12 | ● MUELLE PEDAL FRENO 2014
0/000.470.9100 (u. 1) |
| 13 | ● CTO.TIRANTE CULATA ENDURO 250 300 2018
BE11100CT-CLJ-1 (u. 1) |
| 14 | ● GOMA PROT.DEP.GASOL.ENDURO 2018
0/000.220.9116 (u. 1) |
| 15 | ● TORNILLO MOTOR M10x113 GEOMET 10.9
0/000.460.9132 (u. 2) |

OBSOLETE

16	<ul style="list-style-type: none"> TUERCA AUTOB.M10 PASO 1.25 ZINC 8 0/000.340.9123 (u. 2)
17	<ul style="list-style-type: none"> TORNILLO ESPECIAL 8X50 GEOMET 10.9 0/000.460.9141 (u. 1)
18	<ul style="list-style-type: none"> TUERCA AUTOBL + ARANDELA M8 ZINC 0/000.340.9119 (u. 2)
19	<ul style="list-style-type: none"> TORNILLO ESPECIAL 8X20 GEOMET 10.9 0/000.460.9136 (u. 1)
20	<ul style="list-style-type: none"> PROT.CARTER ENDURO 2018 CON TORNILLERIA 0/R00.220.9100 (u. 1)
22	<ul style="list-style-type: none"> CTO. PROTECTOR CHASIS BLANCO EC 2018 BE19004CT-CLJ-1 (u. 1)
23	<ul style="list-style-type: none"> TORN.ESP.M6X35 DIN 6921 GEOMET 0/000.460.9124 (u. 1)
24	<ul style="list-style-type: none"> SILENTBLOCK+ARANDELA DEP.GASOL. 0/000.360.9106 (u. 2)
25	<ul style="list-style-type: none"> EXAG+ARANDELA 6x14 DIN 6921 0/000.460.9118 (u. 2)
26	<ul style="list-style-type: none"> CTO. ESTRIBOS EC 2018 BE14005CT-CLJ-1 (u. 1)
27	<ul style="list-style-type: none"> MUELLE ESTRIBO DCH. 0/000.470.9101 (u. 1)
28	<ul style="list-style-type: none"> MUELLE ESTRIBO IZQ. 0/000.470.9102 (u. 1)
29	<ul style="list-style-type: none"> CASQUILLO PASADOR ESTRIBOS 0/000.480.9101 (u. 2)
30	<ul style="list-style-type: none"> ARANDELA PLANA 10x20x2 DIN 125A ZINC 0/000.440.9115 (u. 2)
31	<ul style="list-style-type: none"> PASADOR CLAVIJA DIN 94 0/000.840.9100 (u. 2)
32	<ul style="list-style-type: none"> CTO. CABALLETE ECRANGER BE14200CT-CTR-1 (u. 1)
33	<ul style="list-style-type: none"> BASE DEL CABALLETE ENDURO 2018 0/000.570.9100 (u. 1)
34	<ul style="list-style-type: none"> TORICA CASQUILLO CABALLETE 15x1,5 0/000.490.9100 (u. 1)
35	<ul style="list-style-type: none"> TORICA CASQUILLO CABALLETE 17x1,5 0/000.490.9101 (u. 1)
36	<ul style="list-style-type: none"> CASQ.SUJ.CABALLETE ENDURO 2018 0/000.480.9102 (u. 1)
37	<ul style="list-style-type: none"> TORN.ESP.8X25 GEOMET 10.9 0/000.460.9137 (u. 1)
38	<ul style="list-style-type: none"> LLEVA CABALLETE ENDURO 2018 0/000.830.9100 (u. 1)
39	<ul style="list-style-type: none"> ULS 5X16 ISO 7380-1 ZINC 12.9 0/000.460.9155 (u. 1)
40	<ul style="list-style-type: none"> CASQUILLO LLEVA CABALLETE ENDURO 0/000.480.9103 (u. 1)
41	<ul style="list-style-type: none"> MUELLE EXTERIOR CABALLETE ENDURO 2018 0/000.470.9103 (u. 1)
42	<ul style="list-style-type: none"> MUELLE INTERIOR CABALLETE ENDURO 2018 0/000.470.9104 (u. 1)
43	<ul style="list-style-type: none"> TUERCA AUTOBL.BAJA M-6 DIN 985 ZN CR3 6 0/000.340.9113 (u. 1)

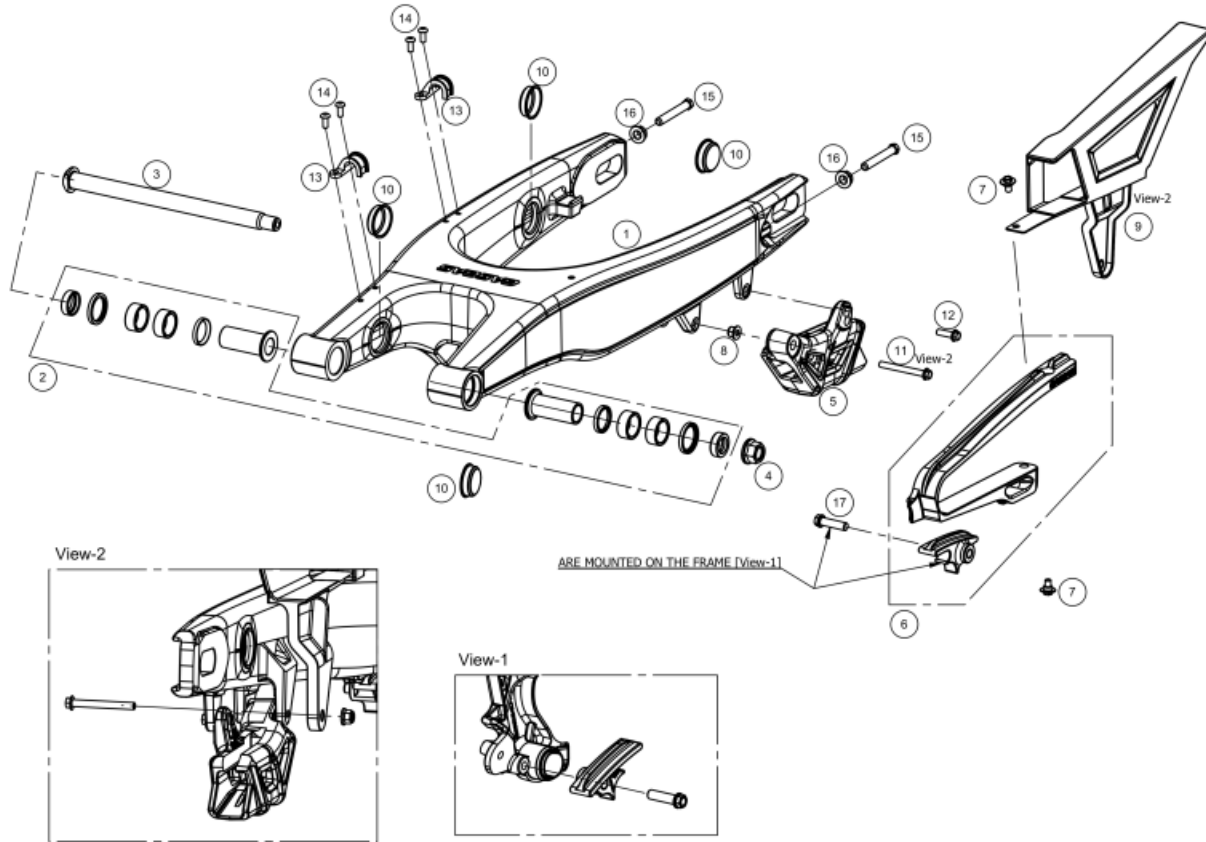
SubChasis



1	<ul style="list-style-type: none"> ● SUBCHASIS EC 2018 0/000.010.9102 (u. 1)
2	<ul style="list-style-type: none"> ● SOP.BATERIA -CDI-RELE ARRANQUE EC 2018 0/000.570.9101 (u. 1)
3	<ul style="list-style-type: none"> ● TUBERA C.FILTRO.EC 2018 0/000.360.9113 (u. 1)
4	<ul style="list-style-type: none"> ● FILTRO AIRE EC 2018 (OEM158084X) 0/001.070.9100 (u. 1)
5	<ul style="list-style-type: none"> ● ARAÑA FILTRO EC 2018 0/000.570.9104 (u. 1)
6	<ul style="list-style-type: none"> ● VARILLA FILTRO AIRE EC-2007 BE250728003 (u. 1)
7	<ul style="list-style-type: none"> ● C.FILTRO.ENDURO 2018 0/000.570.9103 (u. 1)
8	<ul style="list-style-type: none"> ● KIT RESTRICTOR FILTRO DE AIRE BE79800CT-CLJ-1 (u. 1)
9	<ul style="list-style-type: none"> ● ARAND.NYLON TOPE MUELLE C.FILTRO.EC-2007 0/000.440.9100 (u. 2)
10	<ul style="list-style-type: none"> ● MUELLE VARILLA C.FILTRO.EC-2007 0/000.470.9105 (u. 1)
11	<ul style="list-style-type: none"> ● GOMA SUJ.CDI 0/000.360.9101 (u. 1)
12	<ul style="list-style-type: none"> ● TORN.ESP.8X25 GEOMET 10.9 0/000.460.9137 (u. 2)
13A	<ul style="list-style-type: none"> ● TORN.ESP.DE PLASTICO NG.M6X12 0/000.460.9109 (u. 1)
13	<ul style="list-style-type: none"> ● CTO.TUBO DESVAPORIZADOR BLOW BY ENDURO 2018 0/000.290.9106 (u. 1)

14	<ul style="list-style-type: none"> TORN.ESP.8X16 GEOMET 10.9 0/000.460.9135 (u. 2)
15	<ul style="list-style-type: none"> SILENTBLOCK PORTANUMS.IZQ.ENDURO 2018 0/000.360.9109 (u. 4)
16	<ul style="list-style-type: none"> ABRAZ.50-70/9 W2 FILTRO AIRE/CARB. INOX FE 0/000.680.9101 (u. 1)
17	<ul style="list-style-type: none"> GOMA CABALLETE EC 2015 0/000.360.9100 (u. 2)
18	<ul style="list-style-type: none"> PROT.AMORT.EC 2018 0/000.220.9117 (u. 1)
19	<ul style="list-style-type: none"> TORNILLO ESPECIAL ROSCA PLASTICO CABOTA HEXAGONAL CON ARANDELA 6X20 T0806020 (u. 6)
	<ul style="list-style-type: none"> TORNILLO DEPÓSITO - SILLÍN Ø6x23 (EJOT ref. 05100519) T0806023 (u. 6)
20	<ul style="list-style-type: none"> TORN.ESP.6X16 DRACOMET 0/000.460.9100 (u. 1)
21	<ul style="list-style-type: none"> DESVAP.CARTER D.3=ME25610012 0/000.630.9105 (u. 1)

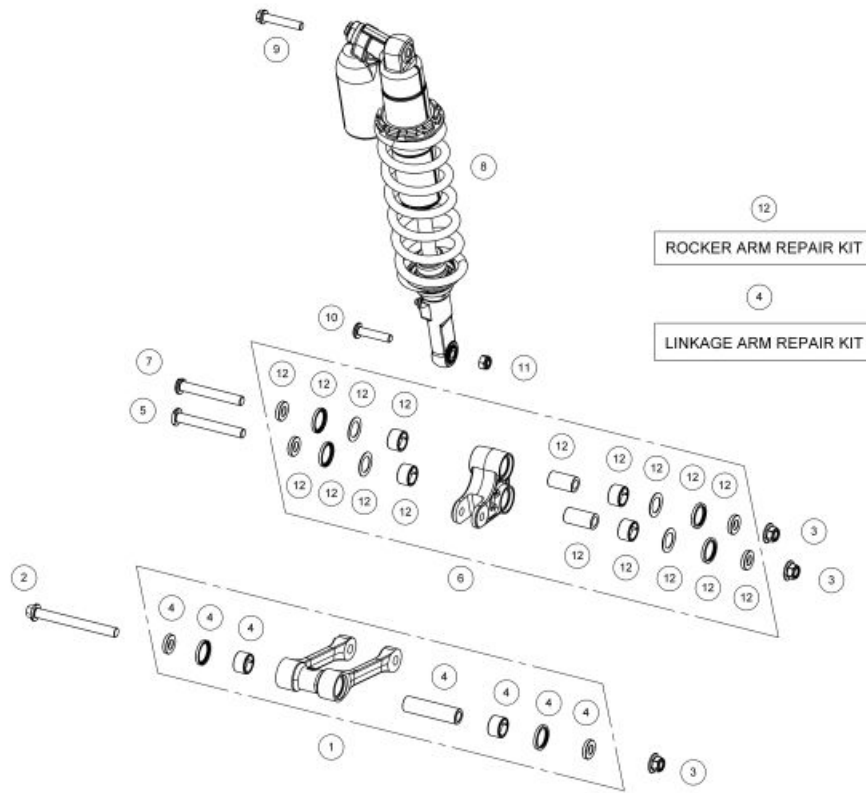
Basculante



- | | |
|----|---|
| 1 | ● BASCULANTE ENDURO 2018
0/000.020.9100 (u. 1) |
| 2 | ● KIT REPARACION BASCULANTE
BE41000CT-CLJ-1 (u. 1) |
| 3 | ● EJE BASCULANTE ENDURO 2018
0/000.190.9101 (u. 1) |
| 4 | ● TUERCA BASC.TT 49650
0/000.340.9103 (u. 1) |
| 5 | ● GUIA CADENA (8435900001)
0/000.710.9100 (u. 1) |
| 6 | ● KIT PATIN CADENA 3 COMP.
BE43015CT-CLJ-1 (u. 1) |
| 7 | ● TORN.ESP.6x7 DRACOMET
0/000.460.9161 (u. 2) |
| 8 | ● TUERCA AUTOBLOC. M-6 C/ARAND DIN-6926 ZINC
0/000.340.9117 (u. 1) |
| 9 | ● PROT.CADENA HOMOL.EC 2018
0/000.220.9107 (u. 1) |
| 10 | ● TAP.BASCUL.EC 2018 (465658)
0/000.410.9100 (u. 4) |
| 11 | ● TORN.ESP.6X55 DIN 6921 DRACOMET 8.8
0/000.460.9127 (u. 1) |
| 12 | ● TORN.ESP.6x20 DIN 6921 GEOMET 10.9
0/000.460.9120 (u. 1) |
| 13 | ● SUJ.LATIG.SOBRE BASC.
0/000.630.9101 (u. 2) |
| 14 | ● TORN.ESP.+ARAND.5x15 DIN 6921 GEOMET 10.9
0/000.460.9115 (u. 4) |
| 15 | ● TORN.TENSOR RUEDA FSR450-2007
0/000.460.9105 (u. 2) |

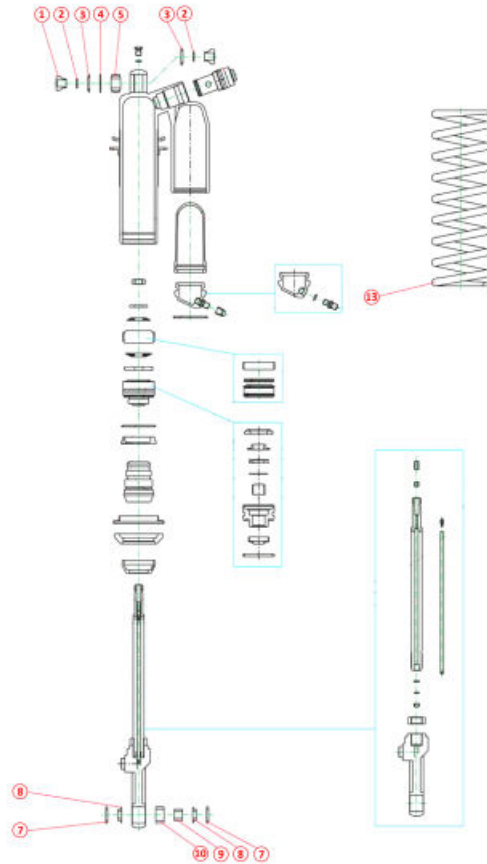
16	● TUERCA ESTRIADA M-8 DIN 6927 ACERO 8 0/000.340.9118 (u. 2)
17	● TORNILLO ESPECIAL 8X35 GEOMET 10.9 0/000.460.9139 (u. 1)

Link



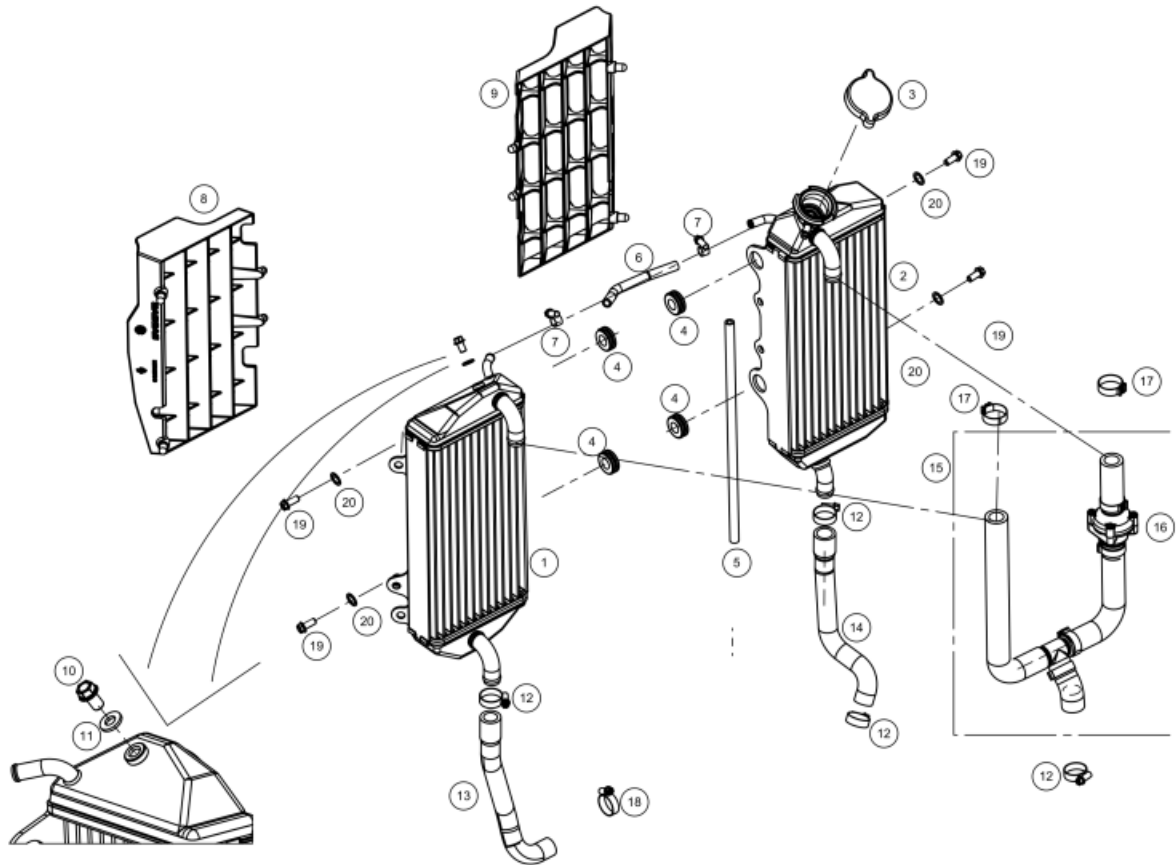
1	<ul style="list-style-type: none"> CTO.BIELETA ENDURO 2018 BE34000CT-CLJ-1 (u. 1)
2	<ul style="list-style-type: none"> TORN.EJE BIELETA CHASIS 22X128 0/000.460.9102 (u. 1)
3	<ul style="list-style-type: none"> TUERCA M12x1.25 DIN 6923 ZINC 0/000.340.9115 (u. 3)
4	<ul style="list-style-type: none"> KIT REPARACION BIELETA ENDURO 2018 BE32035CT-CLJ-1 (u. 1)
5	<ul style="list-style-type: none"> TORN.EJE BIELETA BALANCIN 22X99.5 0/000.460.9103 (u. 1)
6	<ul style="list-style-type: none"> CTO. BALANCIN ENDURO 2018 BE32000CT-CLJ-1 (u. 1)
7	<ul style="list-style-type: none"> TORN.EJE BALANCIN BASCUL.22X92.5 0/000.460.9104 (u. 1)
8	<ul style="list-style-type: none"> AMORTIGUADOR KYB ECRANGER 0/000.180.9101 (u. 1)
9	<ul style="list-style-type: none"> PERNO 10X60 ISO 898-1 GEOMET 10.9 0/000.460.9131 (u. 1)
10	<ul style="list-style-type: none"> TORN.EJE INF.AMORT.20X48.5 0/000.460.9107 (u. 1)
11	<ul style="list-style-type: none"> TUERCA AUTOBLOC.M10X125 DIN 985 ZINC 8 0/000.340.9110 (u. 1)
12	<ul style="list-style-type: none"> KIT REPARACION BALANCIN EC 2018 BE34035CT-CLJ-1 (u. 1)

Amortiguador



- | | |
|----|---|
| 1 | <ul style="list-style-type: none"> CASQUILLO ROTULA SUPERIOR SUSPENSION KAYABA ENDURO
BE20210GG-CLJ-1 (u. 1) |
| 2 | <ul style="list-style-type: none"> TORICA ROTULA SUSPENSION KAYABA ENDURO
BE30025GG-CLJ-1 (u. 3) |
| 3 | <ul style="list-style-type: none"> RETEN ROTULA SUPERIOR SUSPENSION KAYABA ENDURO
BE23295GG-CLJ-1 (u. 3) |
| 4 | <ul style="list-style-type: none"> ARANDELA ROTULA SUPERIOR SUSPENSION KAYABA ENDURO
BE232990GG-CLJ-1 (u. 1) |
| 5 | <ul style="list-style-type: none"> ROTULA SUPERIOR AMORTIGUADOR KAYABA ENDURO
BE23250GG-CLJ-1 (u. 1) |
| 7 | <ul style="list-style-type: none"> GUARDAPOLVO ROTULA INF. SUSP. KAYABA ENDURO
BE23280GG-CLJ-1 (u. 2) |
| 8 | <ul style="list-style-type: none"> CASQUILLO ROTULA INFERIOR SUSPENSION KAYABA ENDURO
BE23285GG-CLJ-1 (u. 2) |
| 9 | <ul style="list-style-type: none"> COJINETE AGUJA INFERIOR SUSPENSION KAYABA ENDURO
BE36060GG-CLJ-1 (u. 1) |
| 10 | <ul style="list-style-type: none"> CASQUILLO INF. SUSP. KAYABA ENDURO
BE23300GG-CLJ-1 (u. 1) |
| 13 | <ul style="list-style-type: none"> MUELLE AMORTIGUADOR 46 mm 50n SUSPENSION KAYABA ENDURO
BE30010GG-CLJ-1 (u. 1) |
| | <ul style="list-style-type: none"> MUELLE AMORTIGUADOR 46 mm 54n SUSPENSION KAYABA ENDURO
BE30012GG-CLJ-1 (u. 1) |
| | <ul style="list-style-type: none"> MUELLE AMORTIGUADOR 46 mm 52n SUSPENSION KAYABA ENDURO
BE30011GG-CLJ-1 (u. 1) |

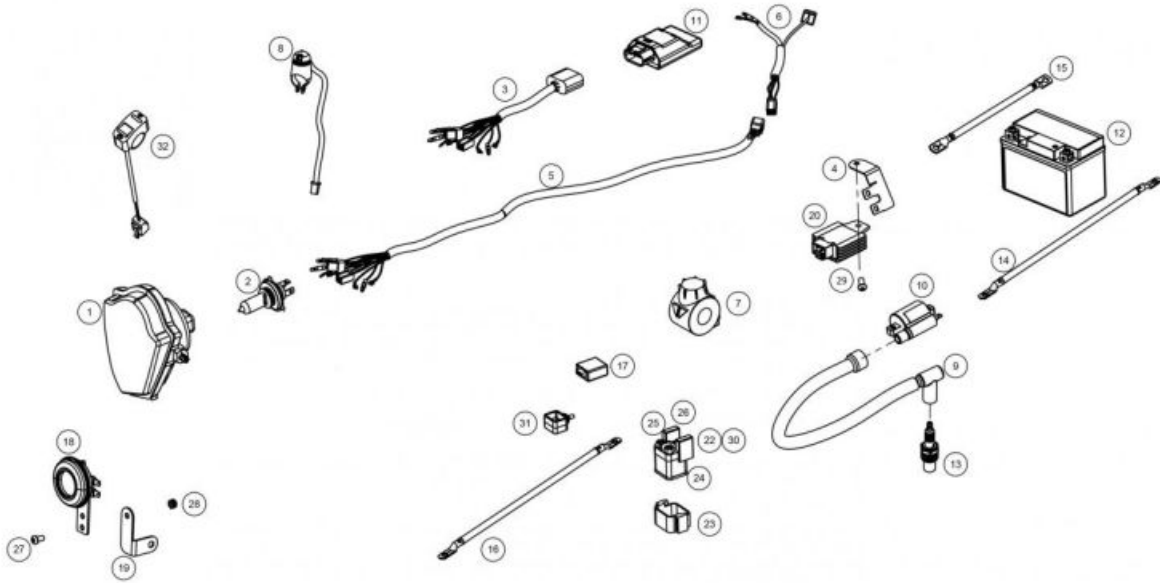
Radiador



- | | |
|----|--|
| 1 | <ul style="list-style-type: none"> RADIADOR IZQUIERDO ENDURO 2018 0/000.580.9103 (u. 1) |
| 2 | <ul style="list-style-type: none"> RADIADOR DERECHO + 2U SILENBLOCK 2019 0/000.580.9102 (u. 1) |
| 3 | <ul style="list-style-type: none"> TAPON RADIADOR ENDURO 2018 PARA RADIADOR 0/000.580.9100 (antiguo) 0/000.410.9101 (u. 1) |
| 4 | <ul style="list-style-type: none"> GOMA TOPE RAD.49100025 BIE500132031 (u. 4) |
| 5 | <ul style="list-style-type: none"> TUBO SOBRENTE RAD.5X8 - 39cm.- TT-96 0/000.290.9117 (u. 1) |
| 6 | <ul style="list-style-type: none"> TUBO UNION RADIADORES ENDURO 2018 0/000.290.9103 (u. 1) |
| 7 | <ul style="list-style-type: none"> ABRAZ.TORRO SIN FIN 10-16 (10107270010) INOX FE 0/000.680.9108 (u. 2) |
| 8 | <ul style="list-style-type: none"> REJILLA RADIADOR IZQUIERDA ENDURO 2018 0/000.220.9113 (u. 1) |
| 9 | <ul style="list-style-type: none"> REJILLA RADIADOR DERECHA ENDURO 2018 0/000.220.9112 (u. 1) |
| 10 | <ul style="list-style-type: none"> TORN.ESP.6X10+ARANDELA GEOMET 10.9 0/000.460.9133 (u. 1) |
| 11 | <ul style="list-style-type: none"> ARANDELA COBRE 6X10X1.5 TORN.VAC.AGUA CI 0/000.440.9122 (u. 1) |
| 12 | <ul style="list-style-type: none"> ABRAZ.TORRO SIN FIN 16-27 (10107270027) INOX FE 0/000.680.9107 (u. 4) |
| 13 | <ul style="list-style-type: none"> TUBO RADIADOR IZQUIERDO A CÁRTER IZQUIERDO EC 2018 0/000.290.9105 (u. 1) |
| 14 | <ul style="list-style-type: none"> TUBO RAD.INF.DCH.EC 300 2014 0/000.290.9104 (u. 1) |

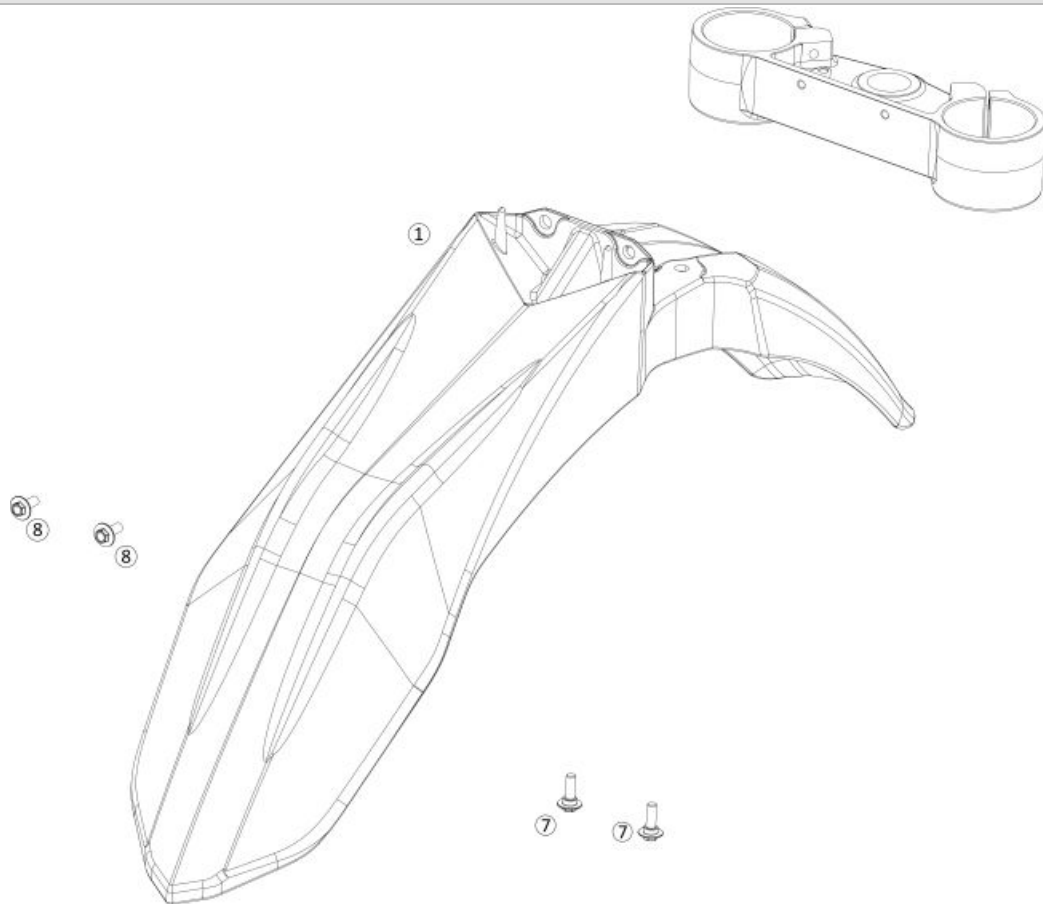
15	<ul style="list-style-type: none">● CTO.TUBOS RADIADORES-TERMOSTATO EC 2018 0/000.290.9118 (u. 1)
16	<ul style="list-style-type: none">● CUERPO TERMOSTATO SM BE250432070 (u. 1)
17	<ul style="list-style-type: none">● ABRAZ.COBRA D.21 INOX A2 0/000.680.9105 (u. 2)
18	<ul style="list-style-type: none">● ABRAZ.COBRA-19 INOX A2 0/000.680.9104 (u. 1)
19	<ul style="list-style-type: none">● EXAG+ARANDELA 6x14 DIN 6921 0/000.460.9118 (u. 4)
20	<ul style="list-style-type: none">● ARANDELA 6X20X2 0/000.440.9112 (u. 4)

Parte Eléctrica



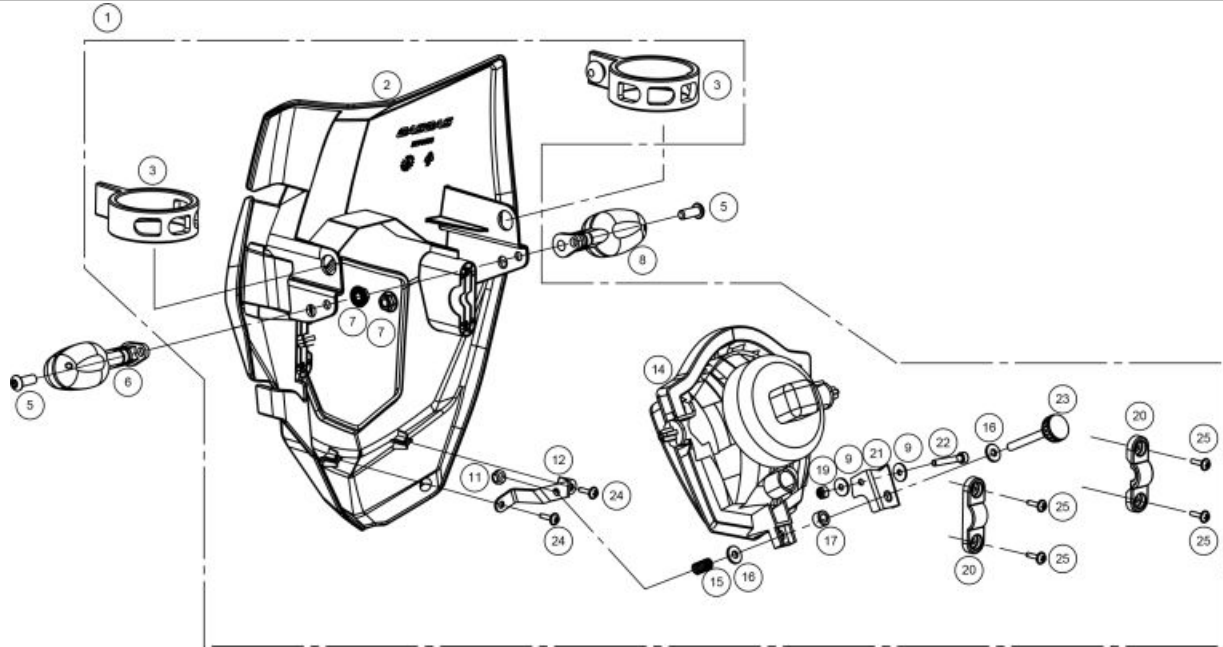
1	<ul style="list-style-type: none"> ● COMPLETE HEADLAMP BEAM UNIT 0/000.600.0260 (u. 1)
2	<ul style="list-style-type: none"> ● BOMBILLA HALOGENA 35/35 12V.HS1 L300125 (u. 1)
3	<ul style="list-style-type: none"> ● INSTALACION ELECTRICA PRINCIPAL ENDURO 2018 0/000.160.9100 (u. 1)
4	<ul style="list-style-type: none"> ● SOP.SUJ.CONECTORES ENCENDIDO ENDURO 2018 0/000.980.9110 (u. 1)
5	<ul style="list-style-type: none"> ● INST.ELEC.COMPONENTE ELEC. 0/000.160.9102 (u. 1)
6	<ul style="list-style-type: none"> ● INST.LUZ MATRICULA ENDURO 2018 0/000.160.9103 (u. 1)
7	<ul style="list-style-type: none"> ● CONMUTADOR CON ARRANQUE ENDURO 2018 0/000.720.9101 (u. 1)
8	<ul style="list-style-type: none"> ● BOTON DE PARO TRIAL 2015 0/000.720.9102 (u. 1)
9	<ul style="list-style-type: none"> ● PIPA BUJIA LB05EMH=BT27934000 0/005.110.9100 (u. 1)
10	<ul style="list-style-type: none"> ● BOB.DE ALTA JT TXT 2013 0/005.070.9100 (u. 1)
11	<ul style="list-style-type: none"> ● CTO.CDI PROGRAMADO ECRANGER 30 EE51100CT-CTR-1 (u. 1)
13	<ul style="list-style-type: none"> ● BUJIA W24ESRU 0/005.110.9101 (u. 1)
14	<ul style="list-style-type: none"> ● CABLE POSITIVO BATERIA EC 2019 0/000.160.9105 (u. 1)
15	<ul style="list-style-type: none"> ● CABLE NEGATIVO BATERIA 0/000.160.9104 (u. 1)
16	<ul style="list-style-type: none"> ● CABLE RELE A MOTOR ARRANQUE 2019 0/000.160.9107 (u. 1)
17	<ul style="list-style-type: none"> ● MODULO DIODES SHOTKY 0/001.200.9100 (u. 1)
18	<ul style="list-style-type: none"> ● HORN 0/000.420.5010 (u. 1)
19	<ul style="list-style-type: none"> ● SOPORTE CLAXON ENDURO 2018 0/000.980.9107 (u. 1)

20	<ul style="list-style-type: none"> REGUL.(31600-XRU-0000) 0/005.070.9101 (u. 1)
22	<ul style="list-style-type: none"> RELE ARRANQUE (RC19-005^a)STARTER RELA 00020 A7343-888-00-000 0/001.200.9101 (u. 1)
23	<ul style="list-style-type: none"> GOMA SOP.RELE ARRANQUE FIJ.VERTICAL EE85205GG-CAK-1 (u. 1)
24	<ul style="list-style-type: none"> TAPA PROT.FUSIBLE (B4694-730-00-001) EE851052511 (u. 2)
25	<ul style="list-style-type: none"> WASHER Ø6 0/000.440.0240 (u. 2)
26	<ul style="list-style-type: none"> TORN.ESP.6X10+ARANDELA GEOMET 10.9 0/000.460.9133 (u. 2)
27	<ul style="list-style-type: none"> TORN.ESP.6X12+ARANDELA Y FIJADOR ISO 7380-2 INOX A2 0/000.460.9108 (u. 1)
28	<ul style="list-style-type: none"> TUERCA NUT 956 RAPIDA M-6 HRc 40/48 0/000.340.9120 (u. 1)
29	<ul style="list-style-type: none"> EXAG+ARANDELA 6x14 DIN 6921 0/000.460.9118 (u. 1)
30	<ul style="list-style-type: none"> FUSIBLE UNIVERSAL 20A 0/000.910.9100 (u. 2)
31	<ul style="list-style-type: none"> GOMA SOPORTE MODULO DIODES 0/000.360.9111 (u. 1)

Guardabarros delantero

- | | |
|----------|--|
| 1 | ● GUARDABARROS DELANTERO.EC 2018 BLANCO
0/000.050.9101 (u. 1) |
| 7 | ● TORN.ESP.6X16 DRACOMET
0/000.460.9100 (u. 2) |
| 8 | ● TORN.ESP.6x7 DRACOMET
0/000.460.9161 (u. 2) |

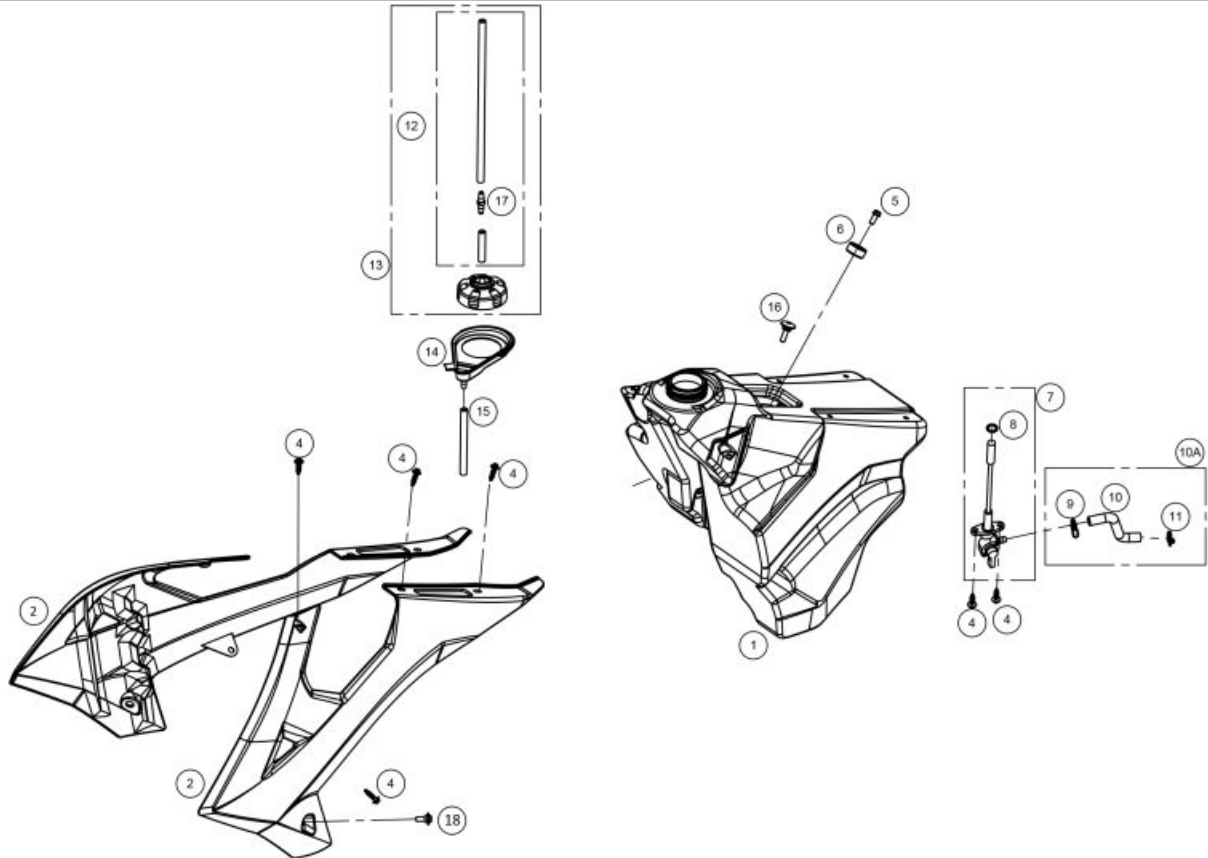
Faro Delantero



- | | |
|----|--|
| 1 | <ul style="list-style-type: none"> CTO.FARO EC 2018
BE90500CT-CLJ-1 (u. 1) |
| 2 | <ul style="list-style-type: none"> PORTAFARO DEL.EC 2018 BL.
0/000.620.9100 (u. 1) |
| 3 | <ul style="list-style-type: none"> GOMA SUJETA FARO D.38 PP HP2070291G
0/000.360.9102 (u. 2) |
| 5 | <ul style="list-style-type: none"> ULS 6x16 ISO 7380-1 NEGRO 12.9
0/000.460.9156 (u. 2) |
| 6 | <ul style="list-style-type: none"> INTERMITENTE IZQ.DEL.2005
0/000.150.9101 (u. 1) |
| 7 | <ul style="list-style-type: none"> TUERCA+ARAN.M-6 ESTR. DIN 6923 ZINC 8
0/000.340.9116 (u. 2) |
| 8 | <ul style="list-style-type: none"> INTERMITENTE DCH.O.DEL.2005
0/000.150.9100 (u. 1) |
| 9 | <ul style="list-style-type: none"> ARANDELA PLANA 4X12X1 DIN 9021 ZN AG CR3
0/000.440.9119 (u. 2) |
| 11 | <ul style="list-style-type: none"> TUERCA AUTOBL. M-5 BAJA DIN-985 ZINC 8
0/000.340.9112 (u. 1) |
| 12 | <ul style="list-style-type: none"> CHAPA REGUL.FARO
0/000.980.9103 (u. 1) |
| 13 | <ul style="list-style-type: none"> TORNILLO PLASTICO 4X10 ZN BLUE
0/000.460.9159 (u. 2) |
| 14 | <ul style="list-style-type: none"> COMPLETE HEADLAMP BEAM UNIT
0/000.600.0260 (u. 1) |
| 15 | <ul style="list-style-type: none"> MUELLE TORN.REG.OPTICA
0/000.470.9107 (u. 1) |
| 16 | <ul style="list-style-type: none"> ARANDELA 5X12X1.5 DIN 125A ZINC
0/000.440.9121 (u. 2) |
| 17 | <ul style="list-style-type: none"> CASQ.ALUMINIO Ø5.5X10X6
0/000.480.9128 (u. 1) |
| 19 | <ul style="list-style-type: none"> TUERCA AUTOBL.M-4 DIN 985 ZINC 8
0/000.340.9111 (u. 1) |
| 20 | <ul style="list-style-type: none"> SOP.FARO BL.
0/000.980.9104 (u. 2) |
| 21 | <ul style="list-style-type: none"> REFUERZO LENGUETA FARO EC 2012
0/000.980.9106 (u. 1) |

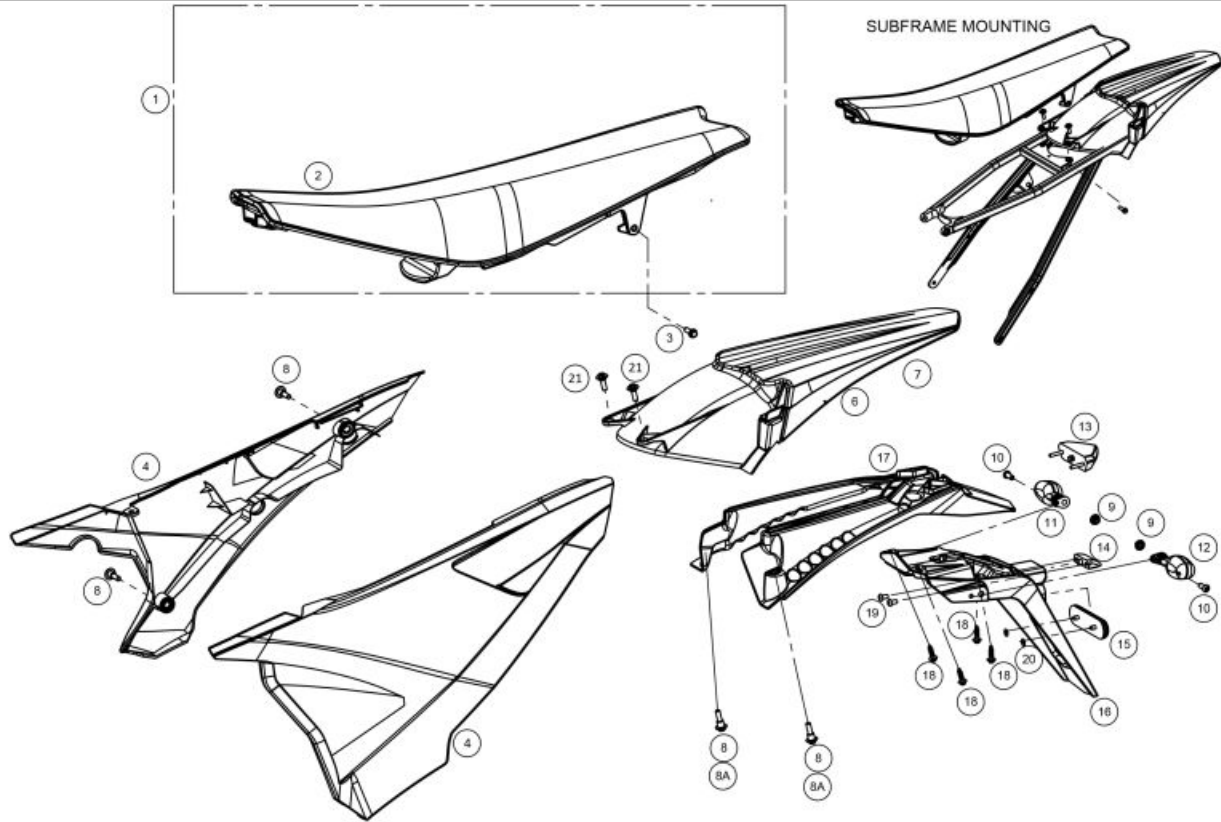
22	<ul style="list-style-type: none">● ALLEN 4X25 DIN 912 ZINC 0/000.460.9144 (u. 1)
23	<ul style="list-style-type: none">● TORN.REGUL.FARO ELESA B.193/18 P M5X40 0/000.460.9106 (u. 1)
24	<ul style="list-style-type: none">● TORNILLO PLASTICO 4X10 ZN BLUE 0/000.460.9159 (u. 2)
25	<ul style="list-style-type: none">● TORN.ESP.PLASTICO 4X12 CELO RF87T VERZINKT 0/000.460.9160 (u. 4)

Depósito



- | | |
|----|--|
| 1 | <ul style="list-style-type: none"> ● DEPOSITO COMBUSTIBLE EUROPA (XPE) ENDURO 2018
0/000.030.9100 (u. 1) |
| 2 | <ul style="list-style-type: none"> ● KIT TAPAS RADIADOR ECRANGER 2018
BE92000CT-CTR-1 (u. 1) |
| 4 | <ul style="list-style-type: none"> ● TORNILLO ESPECIAL ROSCA PLASTICO CABOTA HEXAGONAL CON ARANDELA 6X20
T0806020 (u. 10) |
| 5 | <ul style="list-style-type: none"> ● EXAG+ARANDELA 6x14 DIN 6921
0/000.460.9118 (u. 1) |
| 6 | <ul style="list-style-type: none"> ● SILENTBLOCK+ARANDELA Y REGATA DEP.GASOLIN
0/000.360.9105 (u. 1) |
| 7 | <ul style="list-style-type: none"> ● GRIFO GASOLINA ENDURO 2018
0/000.370.9100 (u. 1) |
| 8 | <ul style="list-style-type: none"> ● TORICA GRIFO GASOLINA 10X2.5
B740120 (u. 1) |
| 9 | <ul style="list-style-type: none"> ● ABRAZ.MOLLA M-11.6-12.3 ZINC CR3
0/000.680.9102 (u. 1) |
| 10 | <ul style="list-style-type: none"> ● TUBO GASOLINA ENDURO 2018 DE HOMOLOGACION
0/000.290.9109 (u. 1) |
| 11 | <ul style="list-style-type: none"> ● ABRAZ.MOLLA M-12X1.5 ACERO ZN
0/000.680.9103 (u. 1) |
| 12 | <ul style="list-style-type: none"> ● CTO.TUBO DESVAP.GASOLINA 26cm
0/000.290.9115 (u. 1) |
| 13 | <ul style="list-style-type: none"> ● CTO.TAP.GASOLINA+TUBO EC 2014
BE76010CT-CAB-1 (u. 1) |
| 14 | <ul style="list-style-type: none"> ● REBOSADERO DEP.GASOL.
0/000.570.9102 (u. 1) |
| 15 | <ul style="list-style-type: none"> ● TUBO REBOSADERO DEP.DE GASOLINA ENDURO
0/000.290.9107 (u. 1) |
| 16 | <ul style="list-style-type: none"> ● TORNILLO DEPÓSITO - SILLÍN Ø6x23 (EJOT ref. 05100519)
T0806023 (u. 1) |

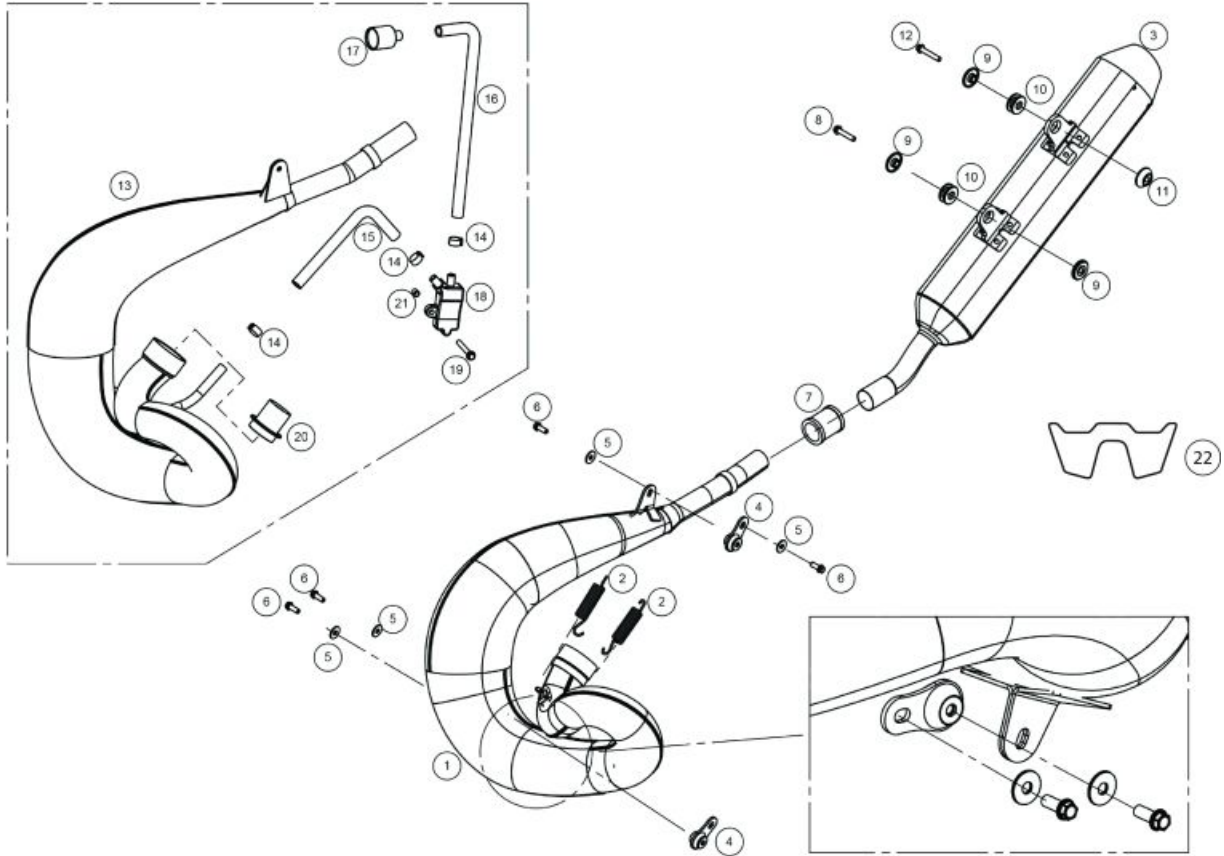
17	● VALV.DESVAPO.DEP. BT27836025 (u. 1)
18	● TORNILLO ESPECIAL ROSCA PLASTICO CABOTA HEXAGONAL 6X12 DRACOMET 0/000.460.9101 (u. 2)

Plástica Trasera


1	<ul style="list-style-type: none"> SILLIN ECRANGER BE94000GG-CTR-1 (u. 1)
3	<ul style="list-style-type: none"> TORN.ESP.6X25 DIN 6921 GEOMET 10.9 VALONA 11MM 0/000.460.9121 (u. 1)
4	<ul style="list-style-type: none"> KIT PLACAS LATERALES PORTANUMEROS BLANCAS MR 0/K00.570.9101 (u. 1)
6	<ul style="list-style-type: none"> CTO.GUARDAB.TRAS.EC 2018 BL. 0/000.060.9100 (u. 1)
8	<ul style="list-style-type: none"> TORNILLO ESPECIAL 6X16 CON CENTRADOR DRACOMET 0/000.460.9163 (u. 2)
9	<ul style="list-style-type: none"> TUERCA+ARAN.M-6 ESTR. DIN 6923 ZINC 8 0/000.340.9116 (u. 2)
10	<ul style="list-style-type: none"> ULS 6x16 ISO 7380-1 NEGRO 12.9 0/000.460.9156 (u. 2)
11	<ul style="list-style-type: none"> INTERMITENTE DCH.TRAS.2005 0/000.150.9102 (u. 1)
12	<ul style="list-style-type: none"> INTERMITENTE IZQ.TRAS.2005 0/000.150.9103 (u. 1)
13	<ul style="list-style-type: none"> LUZ PILOTO TRASERO LED 0/000.150.9105 (u. 1)
14	<ul style="list-style-type: none"> LUZ MATRICULA (HD008000) 0/000.150.9104 (u. 1)
15	<ul style="list-style-type: none"> CATADIOPTICO 700R ENDURO 2007 0/000.630.9103 (u. 1)
16	<ul style="list-style-type: none"> PORTAMATRICULAS HOMOLOGACION 0/000.060.9102 (u. 1)
17	<ul style="list-style-type: none"> PORTAMATRICULAS CORTO EC 2018 0/000.060.9101 (u. 1)
18	<ul style="list-style-type: none"> TORNILLO ESPECIAL ROSCA PLASTICO CABOTA HEXAGONAL CON ARANDELA 6X20 T0806020 (u. 4)

19	<ul style="list-style-type: none">● ULS TORX CON ARAND.4X08 ISO 7380-2 INOX A2 0/000.460.9158 (u. 2)
20	<ul style="list-style-type: none">● GRAPA 02110396 SRRM-5 CATADRIOPTICO 0/000.440.9102 (u. 2)
21	<ul style="list-style-type: none">● TORNILLO ESPECIAL ROSCA PLASTICO CABOTA HEXAGONAL 6X12 DRACOMET 0/000.460.9101 (u. 2)

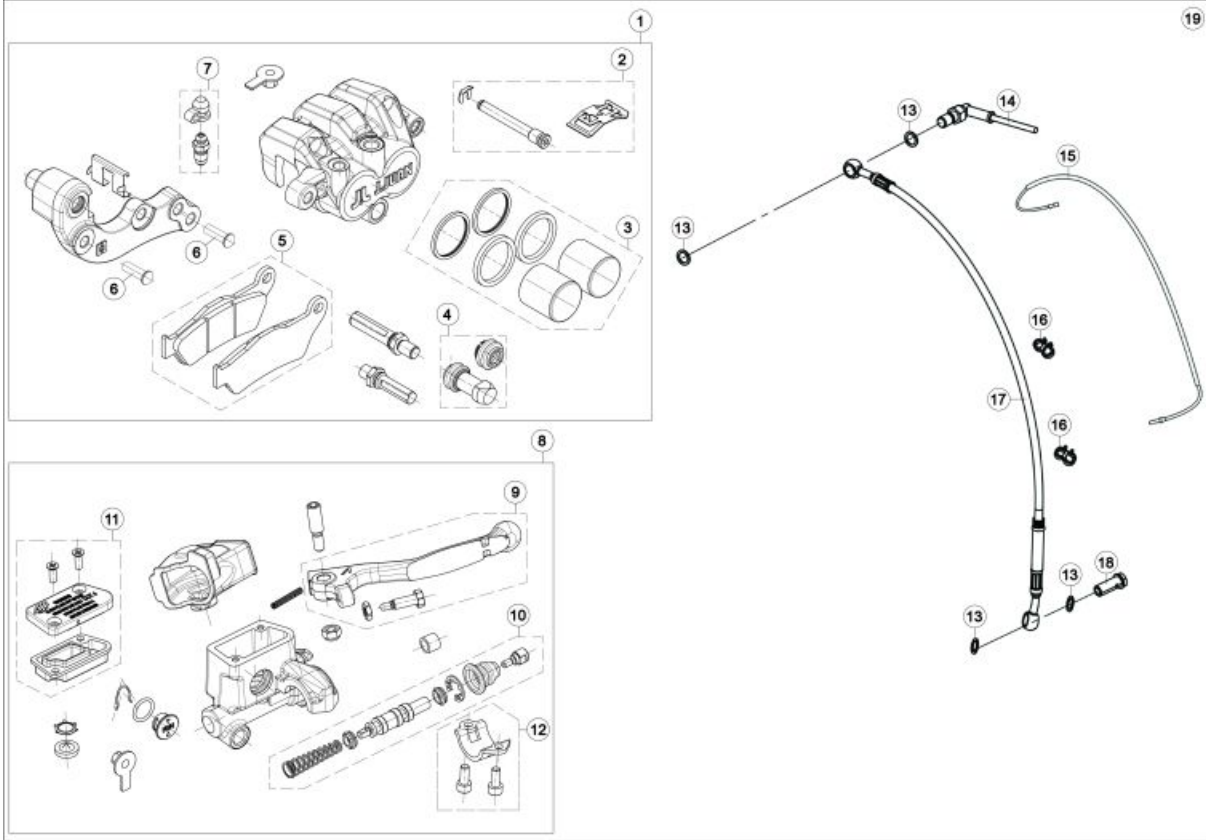
Escape



1	<ul style="list-style-type: none"> ● ESCAPE NIQUELADO ECRANGER 0/000.290.9102 (u. 1)
2	<ul style="list-style-type: none"> ● MUELLE ESCAPE EC 0/000.470.9106 (u. 2)
3	<ul style="list-style-type: none"> ● SILENCIOSO ECRANGER 0/000.870.9100 (u. 1)
4	<ul style="list-style-type: none"> ● SILENBLOCK ESCAPE ENDURO 0/000.360.9107 (u. 2)
5	<ul style="list-style-type: none"> ● ARANDELA 6X18X1.5 DIN 9021 ZINC 0/000.440.9126 (u. 4)
6	<ul style="list-style-type: none"> ● TORN.ESP.6X16 DIN 6921 ZINC.10.9 0/000.460.9119 (u. 4)
7	<ul style="list-style-type: none"> ● JUNTA ESCAPE 250 SILIC.5916 0/000.490.9103 (u. 1)
8	<ul style="list-style-type: none"> ● TORN.ESP.M6x30 DIN 6921 GEOMET 0/000.460.9123 (u. 1)
9	<ul style="list-style-type: none"> ● CASQ.SILENCIADOR CORTO EC 2018 0/000.480.9115 (u. 3)
10	<ul style="list-style-type: none"> ● SILENBLOCK ESCAPE EC 2018 0/000.360.9108 (u. 2)
11	<ul style="list-style-type: none"> ● CASQ.SILENCIADOR LARGO ENDURO 2018 0/000.480.9114 (u. 1)
12	<ul style="list-style-type: none"> ● TORN.ESP.M6X35 DIN 6921 GEOMET 0/000.460.9124 (u. 1)
13	<ul style="list-style-type: none"> ● ESCAPE ECRANGER HOMOLOGADO BE86000GG-CTR-1 (u. 1)
14	<ul style="list-style-type: none"> ● ABRAZ.COBRA D.15/8 W4 INOX A2 0/000.680.9106 (u. 3)

15	● TUBO AIRE SECUNDARIO CORTO EC-2009 0/000.290.9110 (u. 1)
16	● TUBO AIRE SECUNDARIO LARGO EC-2009 0/000.290.9111 (u. 1)
17	● FILTRO AIRE SECUNDARIO TRIAL PRO 2006 CE BT280626059 (u. 1)
18	● VALV.AIRE SECUNDARIO EC-2009 RV-1-037 0/000.640.9100 (u. 1)
19	● TORN.ESP.6x60 Fil.20 DELTA PROTEK 10.9 0/000.460.9128 (u. 1)
20	● CATALIZADOR EC250-2002 0/001.600.9100 (u. 1)
21	● CASQ.DIST.PIÑON 0/000.980.9112 (u. 1)
22	● ADH. SILENCIOSO FMF ECRANGER GASGAS BE87010GG-CTR-1 (u. 1)

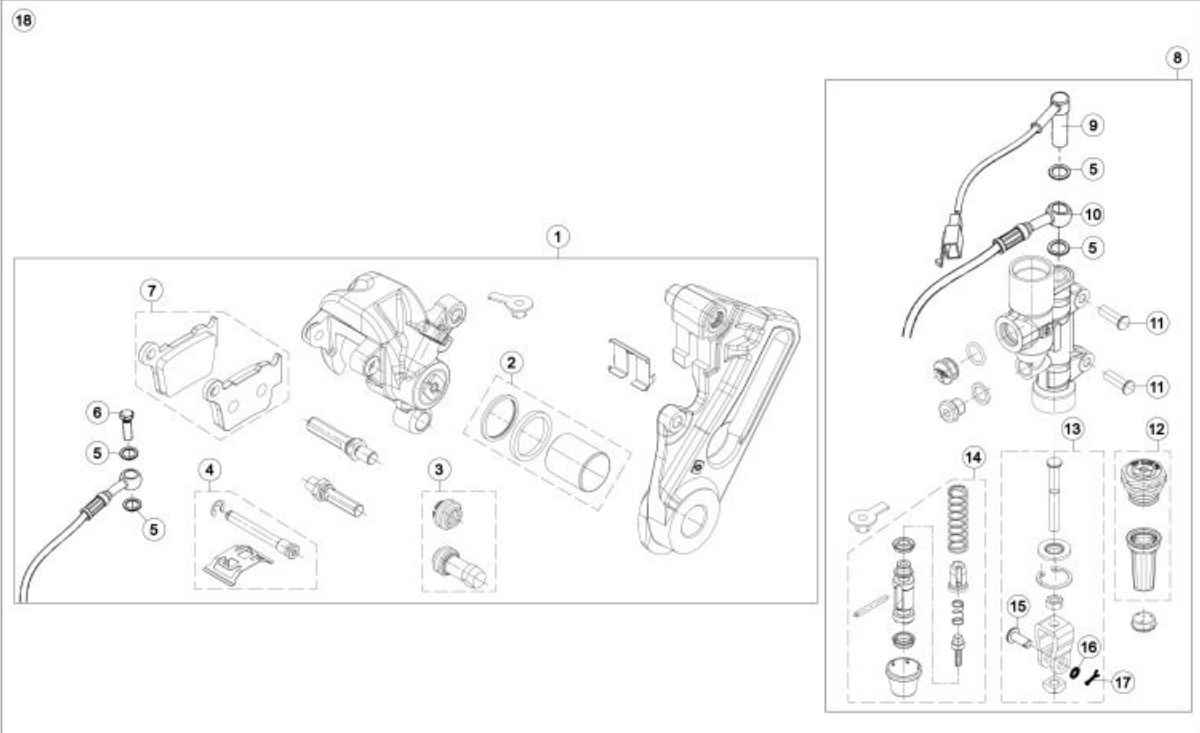
Freno Delantero



- | | |
|----|---|
| 1 | ● CTO.PINZA FRENO DELANTERO ECRA
BE62000GG-CTR-1 (u. 1) |
| 2 | ● PASADOR PASTILLAS FRENO DEL. ECRANGER
BE62020GG-CTR-1 (u. 1) |
| 3 | ● PISTON PINZA FRENO TRAS.EC-200
BE67560GG-CTR-1 (u. 1) |
| 4 | ● KIT GUARDAPOLVO PINZA FRENO DEL. ECRANGER
BE62030GG-CTR-1 (u. 1) |
| 5 | ● JUEGO PASTILLAS FRENO DELANTERO ECRANGER
BE62500GG-CTR-1 (u. 1) |
| 6 | ● TORN.ESP.8X30 GEOMET 10.9
0/000.460.9138 (u. 2) |
| 7 | ● KIT SANGRADOR PINZA FRENO DEL. ECRANGER
BE62040GG-CTR-1 (u. 1) |
| 8 | ● BOMBA FRENO DELANTERO ECRANGER
BE61000CT-CTR-1 (u. 1) |
| 9 | ● MANETA FRENO DEL. ECRANGER
BE61300GG-CTR-1 (u. 1) |
| 10 | ● KIT DE REPARACION BOMBA FRENO DEL. ECRANGER
BE61405GG-CTR-1 (u. 1) |
| 11 | ● KIT REPARACION TAPETA ECRANGER
BE61010GG-CTR-1 (u. 1) |
| 12 | ● SOPORTE BRIDA MANILLAR ECRANGE
BE61350GG-CTR-1 (u. 1) |
| 13 | ● ARANDELA LATIGUILLO 10X14X1
BE25622007 (u. 4) |
| 14 | ● INTERRUPTOR 23-016/1 STOP BOMBA NISSIN 3
0/000.720.9104 (u. 1) |
| 15 | ● SENSOR CUENTA KM ENDURO
0/001.010.9100 (u. 1) |

16	<ul style="list-style-type: none">● GRAPA SUJ.CABLE CT.KM.2008 0/000.630.9104 (u. 2)
17	<ul style="list-style-type: none">● LATIGUILLO FRENO DELANTERO ECRANGER BE61100GG-CTR-1 (u. 1)
18	<ul style="list-style-type: none">● RACORD SUJ.LATIGUILLO 10X1,25(9257) BC25722006 (u. 1)
19	<ul style="list-style-type: none">● CTO. FRENO DELANTERO ECRANGER 0/000.820.9102 (u. 1)

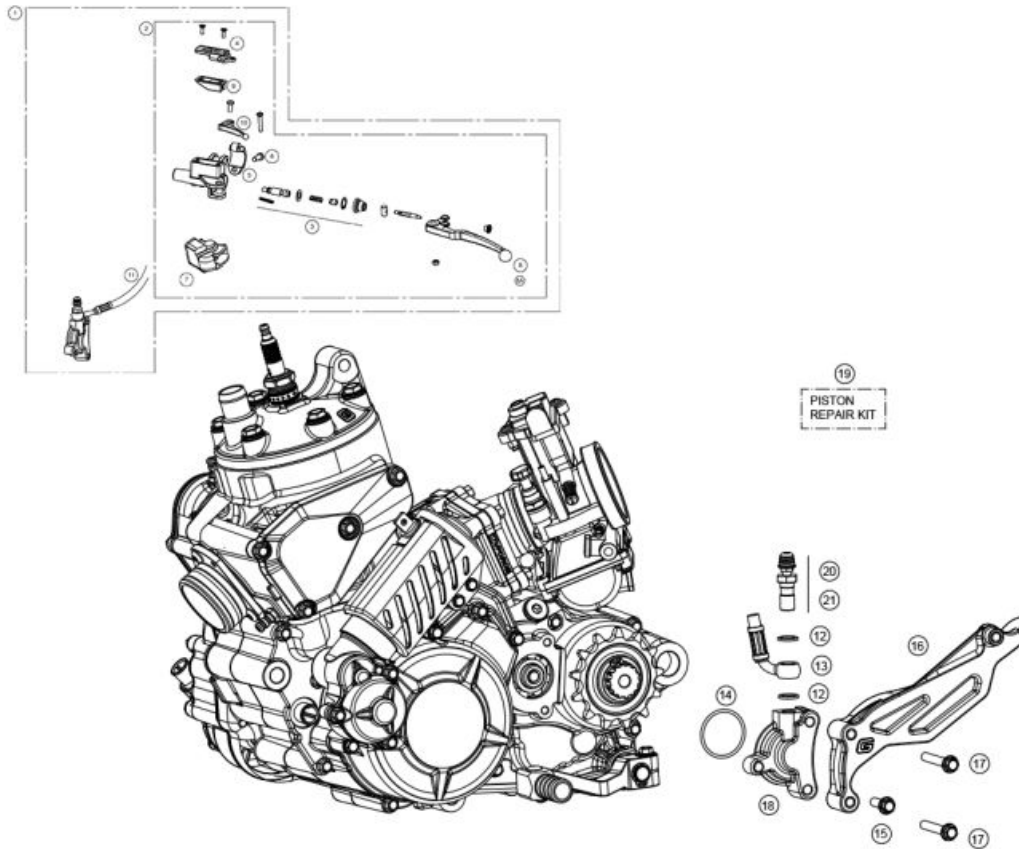
Freno Trasero



- | | |
|----|--|
| 1 | <ul style="list-style-type: none"> CTO.PINZA FRENO TRAS. ECRANGER
BE67000GG-CTR-1 (u. 1) |
| 2 | <ul style="list-style-type: none"> KIT REP.PINZA DE FRENO TRAS. E
BE67120GG-CTR-1 (u. 1) |
| 3 | <ul style="list-style-type: none"> CTO.GUARDAPOLVO PINZA FRENO TRAS.ECRANGER
BE67580GG-CTR-1 (u. 1) |
| 4 | <ul style="list-style-type: none"> PASADOR PASTILLAS FRENO TRAS. ECRANGER
BE67495GG-CTR-1 (u. 1) |
| 5 | <ul style="list-style-type: none"> ARANDELA LATIGUILLO 10X14X1
BE25622007 (u. 4) |
| 6 | <ul style="list-style-type: none"> RACORD SUJ.LATIGUILLO 10X1,25(9257)
BC25722006 (u. 1) |
| 7 | <ul style="list-style-type: none"> JUEGO PASTILLAS FRENO TRASERO ECRANGER
BE67500GG-CTR-1 (u. 1) |
| 8 | <ul style="list-style-type: none"> BOMBA FRENO TRASERO ECRANGER
BE66000CT-CTR-1 (u. 1) |
| 9 | <ul style="list-style-type: none"> INTERRUPTOR 23-016/1 STOP BOMBA NISSIN 3
0/000.720.9104 (u. 1) |
| 10 | <ul style="list-style-type: none"> LATIGUILLO FRENO TRASERO ECRANGER
BE66100GG-CTR-1 (u. 1) |
| 11 | <ul style="list-style-type: none"> TORN.ESP.6X16 DIN 6921 ZINC.10.9
0/000.460.9119 (u. 2) |
| 12 | <ul style="list-style-type: none"> KIT REP.TAPA BOMBA FREN.TRAS.
BE66005GG-CTR-1 (u. 1) |
| 13 | <ul style="list-style-type: none"> TIRANTE FRENO TRASERO ECRANGER
BE66050GG-CTR-1 (u. 1) |
| 14 | <ul style="list-style-type: none"> KIT PISTON BOMBA FRENO TRASERA
BE66025GG-CTR-1 (u. 1) |
| 15 | <ul style="list-style-type: none"> PASADOR 8X20 PEDAL FRENO
0/000.840.9101 (u. 1) |
| 16 | <ul style="list-style-type: none"> WASHER DIN 125/A M8 Z/BLANCO
0/000.440.0160 (u. 1) |

17	● CLAVILLA PASADOR FRENO 2X20 0/000.840.9102 (u. 1)
18	● CTO. FRENO TRASERO ECRANGER 0/000.820.9103 (u. 1)

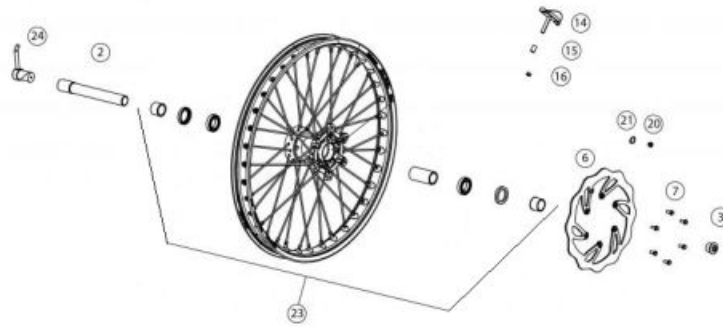
Mando Embrague



1	<ul style="list-style-type: none"> CTO.EMBR.EC MAGURA 9.5 DOT-4 (167) 0/000.830.9101 (u. 1)
2	<ul style="list-style-type: none"> BOMBA EMBR.MAGURA 9,5 (167) 2000396 BE45000013011 (u. 1)
3	<ul style="list-style-type: none"> KIT PISTON 9,5 (0723184) BE45000043011 (u. 1)
4	<ul style="list-style-type: none"> TAPA ACEITE MINERAL (0723164) BE45000053011 (u. 1)
5	<ul style="list-style-type: none"> BRIDA SUJ.(0723118) BE45000063011 (u. 1)
6	<ul style="list-style-type: none"> TORN.ESP.6x20 DIN 6921 GEOMET 10.9 0/000.460.9120 (u. 1)
7	<ul style="list-style-type: none"> GUARDAPOLVO (0723163) BE45000093011 (u. 1)
8A	<ul style="list-style-type: none"> MANETA LARGA EMBR.(0723290) BE45000033011 (u. 1)
8	<ul style="list-style-type: none"> MANETA CORTA EMBR.(0723121) BE45000023011 (u. 1)
9	<ul style="list-style-type: none"> MEMBRANA DEPOSITO BE45000103011 (u. 1)
10	<ul style="list-style-type: none"> LEVA STARTER (0723189) BE45000073011 (u. 1)
11	<ul style="list-style-type: none"> LATIGUILLO EMBR.ENDURO (FK003CE021E) BE250522003 (u. 1)
12	<ul style="list-style-type: none"> ARANDELA LATIGUILLO 10X14X1 BE25622007 (u. 2)
13	<ul style="list-style-type: none"> LATIGUILLO EMBR.ENDURO (FK003CE021E) BE250522003 (u. 1)

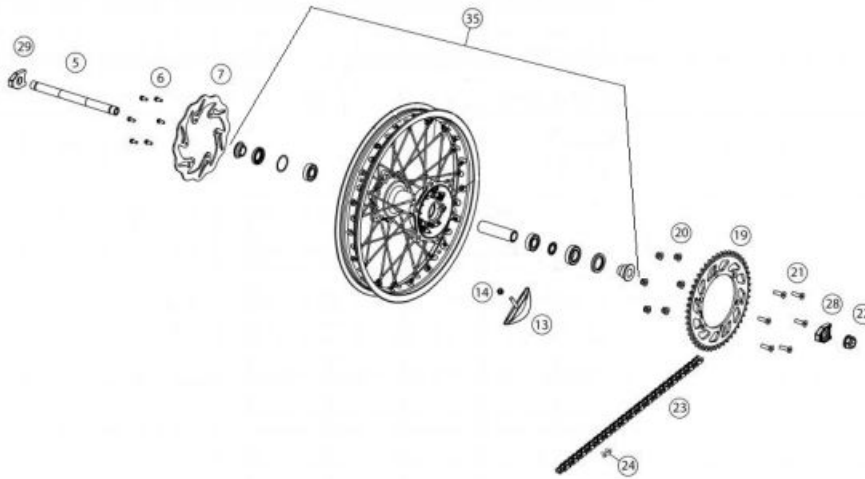
14	<ul style="list-style-type: none"> ● TORICA BOMB.EMB.LIQ.32X2 EPDM ME25632024 (u. 1)
15	<ul style="list-style-type: none"> ● TORN.ESP.6x20 DIN 6921 GEOMET 10.9 0/000.460.9120 (u. 1)
16	<ul style="list-style-type: none"> ● KIT PATIN CADENA 3 COMP. BE43015CT-CLJ-1 (u. 1)
17	<ul style="list-style-type: none"> ● TORN.ESP.6x50 Fil.20 DIN 6921 GEOMET 10.9 0/000.460.9126 (u. 2)
18	<ul style="list-style-type: none"> ● BOMBIN EMBRAGUE ME250632026 (u. 1)
19	<ul style="list-style-type: none"> ● BOMBIN EMBRAGUE ME250632026 (u. 1)
20	<ul style="list-style-type: none"> ● TAP.SANGRADOR FD-G006-00 BT27922055 (u. 1)
21	<ul style="list-style-type: none"> ● SANGRADOR PINZA EMBR.TT BE25622060 (u. 1)

Rueda Delantera



2	<ul style="list-style-type: none"> EJE RUEDA DEL.EC-2011 20.8CM 0/000.190.9102 (u. 1)
3	<ul style="list-style-type: none"> TUERCA EJE DELANTERO 0/000.340.9100 (u. 1)
6	<ul style="list-style-type: none"> D.FRENO.DEL.NG 731X EC-2010 0/001.090.9104 (u. 1)
7	<ul style="list-style-type: none"> EXAG.6x14+ARANDELA GEOMET 10.9 TUFLOK 0/000.460.9142 (u. 6)
14	<ul style="list-style-type: none"> AGARRE DEL.EC-2009 1.6x21 0/000.220.9114 (u. 1)
15	<ul style="list-style-type: none"> CASQ.AGARRE CUBIERTA EC-2010 8X12X12 0/000.480.9112 (u. 1)
16	<ul style="list-style-type: none"> TUERCA AUTOBL.M-8 BAJA DIN 985 ZINC 0/000.340.9114 (u. 1)
20	<ul style="list-style-type: none"> IMAN EC 2010 0/001.010.9101 (u. 1)
21	<ul style="list-style-type: none"> SEGEER A 9 SOP.IMAN EC 2010 DIN 471 PAVONADO NEGRO 0/000.300.9100 (u. 1)
23	<ul style="list-style-type: none"> CTO.LLANTA DELANTERA RADIADA EC 2018 0/000.110.9100 (u. 1)
24	<ul style="list-style-type: none"> TIRADOR EJE DEL.EC 0/000.980.9123 (u. 1)

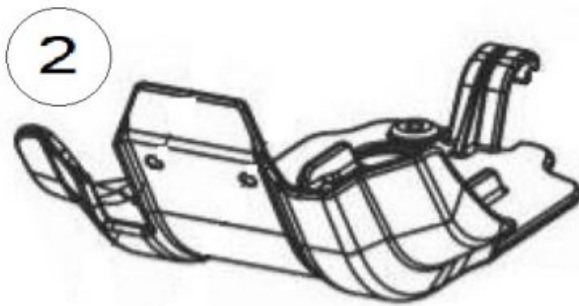
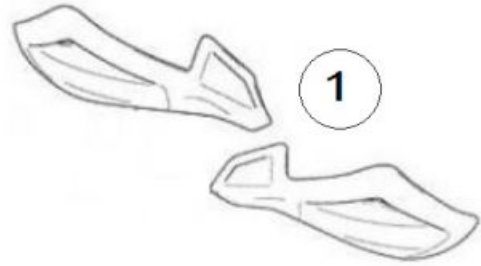
Rueda Trasera



4	<ul style="list-style-type: none"> DIST.RUEDA TRAS.CORTO EC-2000 0/000.480.9104 (u. 1)
5	<ul style="list-style-type: none"> EJE RUEDA TRAS.EC 2018 0/000.190.9103 (u. 1)
6	<ul style="list-style-type: none"> EXAG+ARANDELA 6x14 DIN 6921 0/000.460.9118 (u. 6)
7	<ul style="list-style-type: none"> D.FRENO.TRAS.FLOR 1057X EC-2010 0/001.090.9102 (u. 1)
13	<ul style="list-style-type: none"> AGARRE TRAS.EC-2009 2.15x18 0/000.220.9115 (u. 1)
14	<ul style="list-style-type: none"> TUERCA AUTOBL.M-8 BAJA DIN 985 ZINC 0/000.340.9114 (u. 1)
19	<ul style="list-style-type: none"> CORONA Z 50 ENDURO 2014 COLOR TIT. 0/000.500.9102 (u. 1)
	<ul style="list-style-type: none"> CORONA Z 48 ENDURO 2011 COLOR TIT. 0/000.500.9101 (u. 1)
	<ul style="list-style-type: none"> PLATO ARRASTRE Z-49 CROSS 250 0/000.500.9100 (u. 1)
20	<ul style="list-style-type: none"> TUERCA AUTOBL + ARANDELA M8 ZINC 0/000.340.9119 (u. 6)
21	<ul style="list-style-type: none"> ALLEN CONICO 8X30 DIN 7991 ZINC 12.9 0/000.460.9153 (u. 6)
22	<ul style="list-style-type: none"> TUERCA RUEDA TRAS.ENDURO 2018 0/000.340.9104 (u. 1)
23	<ul style="list-style-type: none"> CADENA ABIERTA (520/135 RH2) 112 PASOS CON CLIP (SIN RETENES) 0/001.050.9101 (u. 1)
28	<ul style="list-style-type: none"> TENSOR CADENA CIEGO ENDURO 2018 0/000.380.9100 (u. 1)

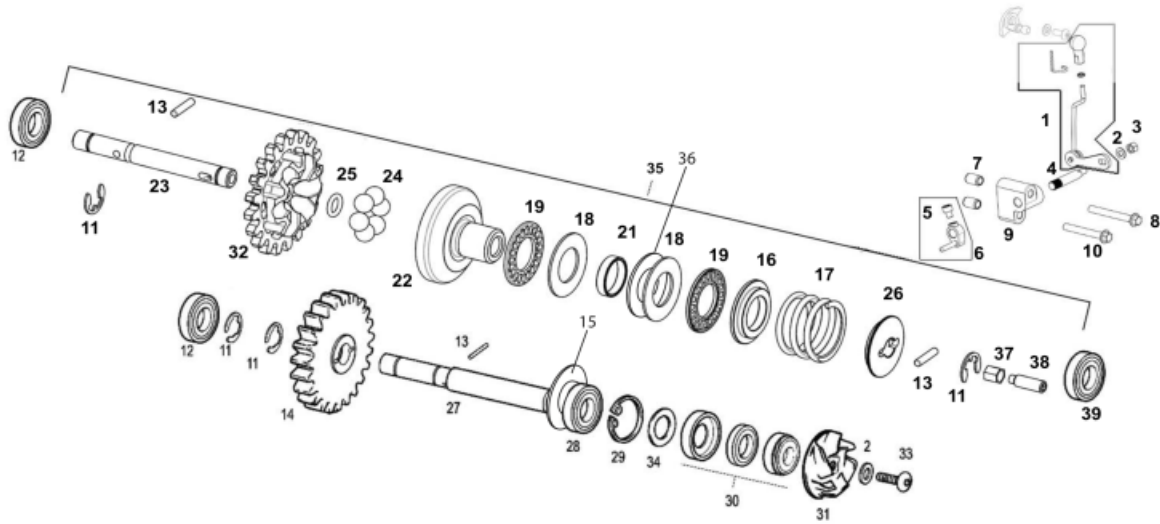
29	<ul style="list-style-type: none">● TENSOR CADENA PASANTE ENDURO 2018 0/000.380.9101 (u. 1)
35	<ul style="list-style-type: none">● CTO.LLANTA TRASERA RADIADA EC 2018 0/000.120.9100 (u. 1)

Accesorios



- | | |
|----------|---|
| 1 | <ul style="list-style-type: none">● WHITE HAND PROTECTORS
0/000.770.5704 (u. 1) |
| 2 | <ul style="list-style-type: none">● PROT.CARTER ENDURO 2018 CON TORNILLERIA
0/R00.220.9100 (u. 1) |

MR RANGER 2020 - Engine

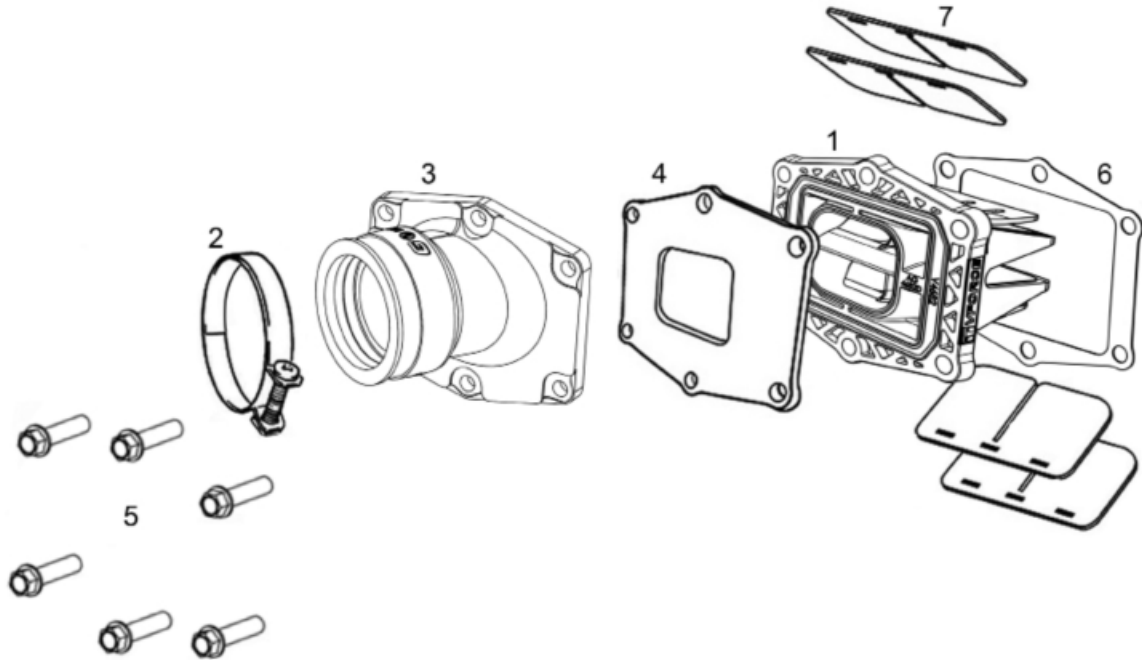
Bomba de agua


1	<ul style="list-style-type: none"> CTO.VARILLA VALV.ESCAPE COMPLETO EC 2015 ME72325CT-CEQ-1 (u. 1) CTO.VARILLA VALV.ESCAPE COMPLETO EC 2015 0/000.640.9104 (u. 1) 	OBSOLETE
2	<ul style="list-style-type: none"> ARANDELA 5X12X1.5 T4005012 (u. 2) ARANDELA 5X12X1.5 DIN 125A ZINC 0/000.440.9121 (u. 2) 	OBSOLETE
3	<ul style="list-style-type: none"> TUERCA AUTOBL. M-5 BAJA DIN-985 ZINC 8 0/000.340.9112 (u. 1) TUERCA AUTOBL.DIN-985 M-5 ZN BAJA T2105000 (u. 1) 	OBSOLETE
4	<ul style="list-style-type: none"> EJE PALANCA CENTRIFUGO ME59035GG-CEQ-1 (u. 1) EJE PALANCA CENTRIFUGO 0/000.190.9108 (u. 1) 	OBSOLETE
5	<ul style="list-style-type: none"> ALLEN 5 X 6 (12.9) T0305006 (u. 1) 	OBSOLETE
6	<ul style="list-style-type: none"> CTO.PALANCA SALIDA CENTRIF. EC 300 2011 0/005.490.9101 (u. 1) CTO.PALANCA SALIDA CENTRIF. EC 300 2011 ME59045CT-CEQ-1 (u. 1) 	OBSOLETE
7	<ul style="list-style-type: none"> CASQ.CENTRADOR CARTER 6X9X14 =ME25610018 0/000.480.9119 (u. 2) CASQ.CENTRADOR CARTER 6X9X14 =ME25610018 M01017000 (u. 2) 	OBSOLETE
8	<ul style="list-style-type: none"> TORN.ESP.6x60 Fil.20 DELTA PROTEK 10.9 0/000.460.9128 (u. 1) TORN.ESP.6x60 Fil.20 10.9 T0206060 (u. 1) 	OBSOLETE
9	<ul style="list-style-type: none"> SOPORTE EJE MANDO VALVULA EC 2015 ME59040GG-CEQ-1 (u. 1) SOPORTE EJE MANDO VALVULA EC 2015 0/000.980.9115 (u. 1) 	OBSOLETE

10	<ul style="list-style-type: none"> TORN.ESP.6x40 Fil.20 GEOMET 10.9 0/000.460.9125 (u. 1) 	
	<ul style="list-style-type: none"> TORN.ESP.6x40 Fil.20 T0206040 (u. 1) 	OBSOLETE
11	<ul style="list-style-type: none"> SEEGER DIN 6799 E-7 ME25616024 (u. 4) 	OBSOLETE
	<ul style="list-style-type: none"> SEEGER DIN 6799 E-7 0/000.300.9103 (u. 4) 	
12	<ul style="list-style-type: none"> RODA.EJE CENTRI.Y BOMBA 608.Z.C3 ME25616032 (u. 2) 	OBSOLETE
	<ul style="list-style-type: none"> RODA.EJE CENTRI.Y BOMBA 608.Z.C3 0/000.960.9108 (u. 2) 	
13	<ul style="list-style-type: none"> RODILLO 3X14 BOMBA AGUA CENTRI. ME25616028 (u. 3) 	OBSOLETE
	<ul style="list-style-type: none"> RODILLO 3X14 .DIN 7 ISO 2338 INOX A1 BOMBA AGUA CENTRIFUGO 0/000.280.9101 (u. 3) 	
14	<ul style="list-style-type: none"> PIÑÓN BOMBA AGUA Y CENTRI. ME25610005 (u. 1) 	OBSOLETE
	<ul style="list-style-type: none"> PIÑÓN BOMBA AGUA Y CENTRI. 0/005.400.9111 (u. 1) 	
15	<ul style="list-style-type: none"> ARANDELA DIAM.10 X DIAM.19 X 0,5 0/000.440.9113 (u. 1) 	
	<ul style="list-style-type: none"> ARANDELA DIAM.10 X DIAM.19 X 0,5 MFS450526516 (u. 1) 	OBSOLETE
16	<ul style="list-style-type: none"> RETEN RESORTE ME59026GG-CDQ-1 (u. 1) - 200cc 	
	<ul style="list-style-type: none"> RETEN RESORTE ME59026GG-CEQ-1 (u. 1) - 250cc / 300cc 	
17	<ul style="list-style-type: none"> MUELLE CENTRIFUGO VALV.ESC.99 ME25916026 (u. 1) - 250cc / 300cc 	
18	<ul style="list-style-type: none"> PLACA AGUJA ROD.BOLET Y VAL.ESCAPE AS 15 ME25632016 (u. 2) 	OBSOLETE
	<ul style="list-style-type: none"> PLACA AGUJA ROD.BOLET Y VAL.ESCAPE AS 15 0/000.440.9107 (u. 2) 	
19	<ul style="list-style-type: none"> JAUJA AGUJA VALV.ESCAPE AXK 1528 0/000.960.9109 (u. 2) 	
	<ul style="list-style-type: none"> JAUJA AGUJA VALV.ESCAPE AXK 1528 ME25632046 (u. 2) 	OBSOLETE
21	<ul style="list-style-type: none"> SEP.COJINETE CENTRIFUGO ME25616008 (u. 1) 	
22	<ul style="list-style-type: none"> CAMPANA CENTRIFUGO EC 2015 ME59030GG-CEQ-1 (u. 1) 	
23	<ul style="list-style-type: none"> EJE CENTRIFUGO EC 2015 ME59015GG-CEQ-1 (u. 1) 	
24	<ul style="list-style-type: none"> BOLA CENTRIFUGO EMB.DE 8 m/m. ME25616033 (u. 6) 	
25	<ul style="list-style-type: none"> TORICA 6X2 EJE CENTR.VAL.ESCAPE ME25616045 (u. 1) 	
26	<ul style="list-style-type: none"> ARANDELA APOYO MUELLE EC 300 2015 ME59025GG-CEQ-1 (u. 1) - 250cc / 300cc 	
	<ul style="list-style-type: none"> ARANDELA DE APOYO MUELLE EC 200 2015 ME59025GG-CDQ-1 (u. 1) - 200cc 	
27	<ul style="list-style-type: none"> EJE PIÑÓN BOMBA AGUA 0/000.190.9104 (u. 1) 	
	<ul style="list-style-type: none"> EJE PIÑÓN BOMBA AGUA ME25610006 (u. 1) 	OBSOLETE

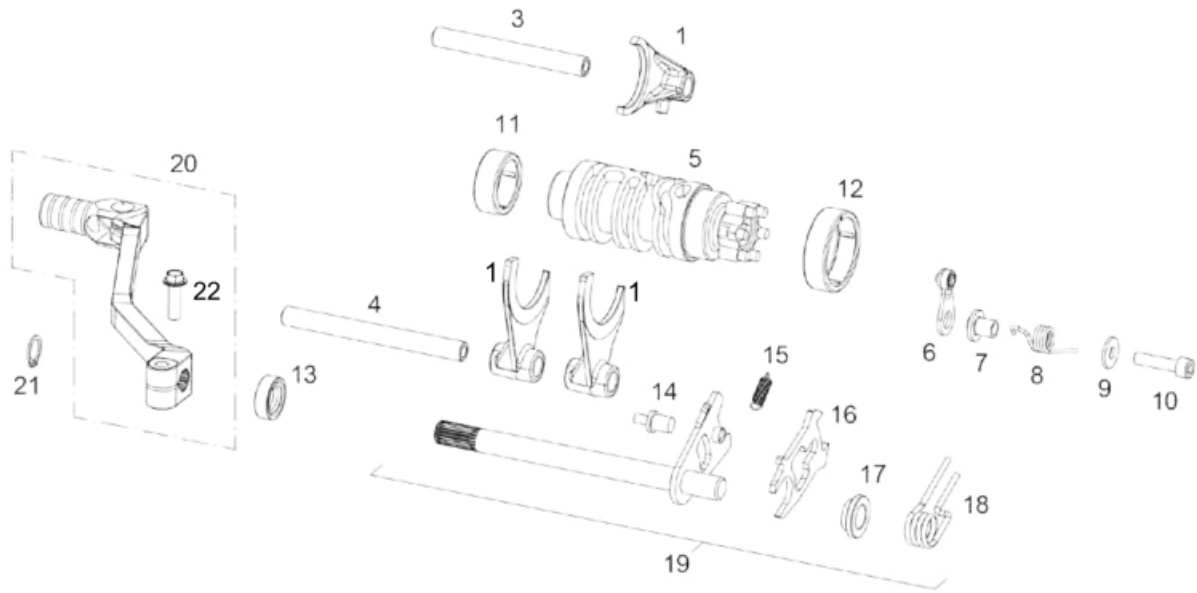
28	<ul style="list-style-type: none"> RODAM.BOMBA AGUA 6000C3Z =M03313001 0/000.960.9107 (u. 1) 	
	<ul style="list-style-type: none"> RODAM.BOMBA AGUA 6000C3Z =M03313001 ME25610010 (u. 1) 	OBSOLETE
29	<ul style="list-style-type: none"> SEEGER D.26 DIN 472-I26 0/000.300.9106 (u. 1) 	
	<ul style="list-style-type: none"> SEEGER INT.26 B.AGUA=M03314012 DIN 472-I26 ME25636065 (u. 1) 	OBSOLETE
30	<ul style="list-style-type: none"> RETEN BOMBA AGUA (ESTOPADA) 1510 CA/CE 1 ME25610011 (u. 1) 	OBSOLETE
	<ul style="list-style-type: none"> RETEN BOMBA AGUA (ESTOPADA) 1510 CA/CE 1 0/000.890.9104 (u. 1) 	
31	<ul style="list-style-type: none"> TURBINA BOMBA AGUA 2014 0/005.220.9100 (u. 1) 	
	<ul style="list-style-type: none"> TURBINA BOMBA AGUA 2014 ME56000GG-CAB-1 (u. 1) 	OBSOLETE
32	<ul style="list-style-type: none"> PIÑÓN CENTRIFUGO EC 300 2015 ME59050GG-CEQ-1 (u. 1) 	
33	<ul style="list-style-type: none"> TORNILLO ULS 6X16 ISO 7380-1 ZINC 12.9 T0506016 (u. 1) 	OBSOLETE
34	<ul style="list-style-type: none"> ARANDELA 25.8x17.5x0.5 BOMBA AGUA M03625000 (u. 1) 	OBSOLETE
	<ul style="list-style-type: none"> ARANDELA 25.8x17.5x0.5 BOMBA AGUA 0/000.440.9103 (u. 1) 	
35	<ul style="list-style-type: none"> CENTRIFUGO COMPLETO EC 300 2015 0/000.640.9101 (u. 1) 	
	<ul style="list-style-type: none"> CENTRIFUGO COMPLETO EC 200 2019 0/000.640.9102 (u. 1) 	
	<ul style="list-style-type: none"> CENTRIFUGO COMPLETO EC 200 2019 ME59000CT-CLP-1 (u. 1) - 200cc 	OBSOLETE
	<ul style="list-style-type: none"> CENTRIFUGO COMPLETO EC 300 2015 ME59000CT-CEQ-1 (u. 1) - 250cc / 300cc 	OBSOLETE
36	<ul style="list-style-type: none"> ARANDELA 15X28X0.8 Y00.25406408 (u. 1) 	OBSOLETE
37	<ul style="list-style-type: none"> TUERCA HEXAGONAL 6 M5 T2706050 (u. 1) 	
38	<ul style="list-style-type: none"> TORNILLO DE AJUSTE HEXA.INT.M5X16 T0325016 (u. 1) 	OBSOLETE
39	<ul style="list-style-type: none"> RODAMIENTO BOL. 619/8-ZZ 0/000.960.9105 (u. 1) 	
	<ul style="list-style-type: none"> RODAMIENTO BOL. 619/8-ZZ ME21500GG-CEQ-1 (u. 1) 	OBSOLETE

Válvula de láminas



1	<ul style="list-style-type: none"> CAJA LAMINAS V-FORCE 4 ME25000GG-CAB-1 (u. 1) 	OBSOLETE
	<ul style="list-style-type: none"> CAJA LAMINAS V-FORCE 4 0/005.600.9100 (u. 1) 	
2	<ul style="list-style-type: none"> ABRAZ.S56/9 W1 ZINC 0/000.680.9109 (u. 1) 	OBSOLETE
	<ul style="list-style-type: none"> ABRAZ.S56/9 W1 MT280316132 (u. 1) 	
3	<ul style="list-style-type: none"> TUBERA ADMISION ENDURO 2018 0/000.290.9116 (u. 1) 	OBSOLETE
	<ul style="list-style-type: none"> TUBERA ADMISION ENDURO 2018 ME26000GG-CLJ-1 (u. 1) 	
4	<ul style="list-style-type: none"> JUNTA CAJA LAMINAS TUBERA ENDURO 2018 ME44105GG-CLJ-1 (u. 1) 	OBSOLETE
	<ul style="list-style-type: none"> JUNTA CAJA LAMINAS TUBERA ENDURO 2018 0/000.490.9114 (u. 1) 	
5	<ul style="list-style-type: none"> TORN.ESP.6X25(10.9) VALONA 11MM T0206025 (u. 6) 	OBSOLETE
	<ul style="list-style-type: none"> TORN.ESP.6X25 DIN 6921 GEOMET 10.9 VALONA 11MM 0/000.460.9121 (u. 6) 	
6	<ul style="list-style-type: none"> JUNTA CAJA LAMINAS- CARTER V-FORCE 4 0/000.490.9120 (u. 1) 	OBSOLETE
	<ul style="list-style-type: none"> JUNTA CAJA LAMINAS- CARTER V-FORCE 4 ME94600GG-CAB-1 (u. 1) 	
7	<ul style="list-style-type: none"> JUEGO LAMINAS ADMISION ME27000GG-CAB-1 (u. 2) 	

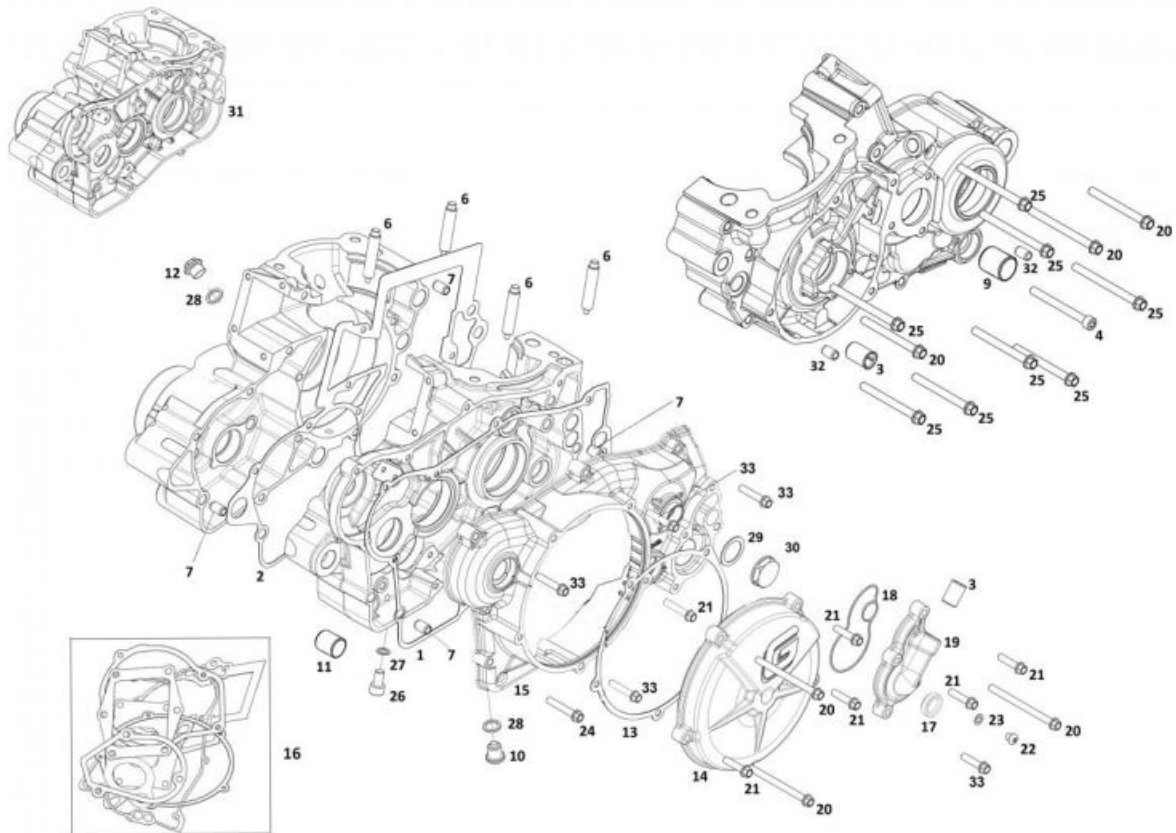
Eje de Cambio



1	<ul style="list-style-type: none"> KIT HORQUILLAS PRIMARIO Y SECUNDARIO ENDURO 2018 ME47000CT-CLJ-1 (u. 1) 	
3	<ul style="list-style-type: none"> EJE HORQ.CORTO ME25636045 (u. 1) EJE HORQ.CORTO 0/000.190.9107 (u. 1) 	OBSOLETE
4	<ul style="list-style-type: none"> EJE HORQ.LARGO 0/000.190.9106 (u. 1) EJE HORQ.LARGO ME25636044 (u. 1) 	OBSOLETE
5	<ul style="list-style-type: none"> DESMODROMICO EC-2005 0/005.090.9100 (u. 1) DESMODROMICO EC-2005 ME250536031 (u. 1) 	OBSOLETE
6	<ul style="list-style-type: none"> FIJADOR MARCHAS EC COMP. ME250036033CT (u. 1) FIJADOR MARCHAS EC COMP. 0/005.560.9100 (u. 1) 	OBSOLETE
7	<ul style="list-style-type: none"> CASQU.PLATINA FIJ.MARCHAS ME25636047 (u. 1) CASQU.PLATINA FIJ.MARCHAS 0/000.480.9122 (u. 1) 	OBSOLETE
8	<ul style="list-style-type: none"> MUELLE FIJADOR MARCHAS EC-2000 0/000.470.9108 (u. 1) MUELLE FIJADOR MARCHAS EC-2000 ME250036034 (u. 1) 	OBSOLETE
9	<ul style="list-style-type: none"> ARANDELA PLANA 6.5X16X1.5 DIN 125 ZINC 0/000.440.9125 (u. 1) ARANDELA PLANA 6.5X16X1.5 T4006016 (u. 1) 	OBSOLETE
10	<ul style="list-style-type: none"> TORN.ESP.6X25 DIN 6921 GEOMET 10.9 VALONA 11MM 0/000.460.9121 (u. 1) TORN.ESP.6X25(10.9) VALONA 11MM T0206025 (u. 1) 	OBSOLETE

11	<ul style="list-style-type: none"> RODAM.DESMODROMICO HK2512 =M03645000 0/000.960.9111 (u. 1) 	
	<ul style="list-style-type: none"> RODAM.DESMODROMICO HK2512 =M03645000 ME25636055 (u. 1) 	OBSOLETE
12	<ul style="list-style-type: none"> ROD.DESMO.HK3512=M03650000 0/000.960.9110 (u. 1) 	
	<ul style="list-style-type: none"> ROD.DESMO.HK3512=M03650000 ME25636054 (u. 1) 	OBSOLETE
13	<ul style="list-style-type: none"> RETEN SELEC.12-22-7 AS-CC =M03821000 ME25636048 (u. 1) 	OBSOLETE
	<ul style="list-style-type: none"> RETEN SELEC.12-22-7 AS-CC =M03821000 0/000.890.9107 (u. 1) 	
14	<ul style="list-style-type: none"> TORN.CENTR.MUELLE SELEC. ME25636042 (u. 2) 	OBSOLETE
	<ul style="list-style-type: none"> TORN.CENTR.MUELLE SELEC. 0/000.460.9110 (u. 2) 	
15	<ul style="list-style-type: none"> MUELLE ESCORPION 250.TT. ME25636039 (u. 1) 	
16	<ul style="list-style-type: none"> ESCORPION EC250-2002 ME250236036 (u. 1) 	
17	<ul style="list-style-type: none"> DOLLA CENTRADOR ESCORPION EC250-2002 ME250236041 (u. 1) 	
18	<ul style="list-style-type: none"> MUELLE SELEC. ME25636035 (u. 1) 	
19	<ul style="list-style-type: none"> EJE SELEC.COMP.EC250 ME250236038CT (u. 1) 	OBSOLETE
	<ul style="list-style-type: none"> EJE SELEC.COMP.EC250 0/005.010.9100 (u. 1) 	
20	<ul style="list-style-type: none"> CTO.PEDAL CAMBIO RF 2014 ME49000CT-CDH-1 (u. 1) 	OBSOLETE
	<ul style="list-style-type: none"> CTO.PEDAL CAMBIO RF 2014 0/005.430.9100 (u. 1) 	
21	<ul style="list-style-type: none"> SEEGER 12X1 EXT.EJE SELEC. ME25636043 (u. 1) 	OBSOLETE
	<ul style="list-style-type: none"> SEEGER 12X1 DIN 471 0/000.300.9104 (u. 1) 	
22	<ul style="list-style-type: none"> TORN.ESP.6x20 DIN 6921 GEOMET 10.9 0/000.460.9120 (u. 1) 	
	<ul style="list-style-type: none"> TORN.ESP.6x20 10.9 ZINC.(CEX) T0206020 (u. 1) 	OBSOLETE

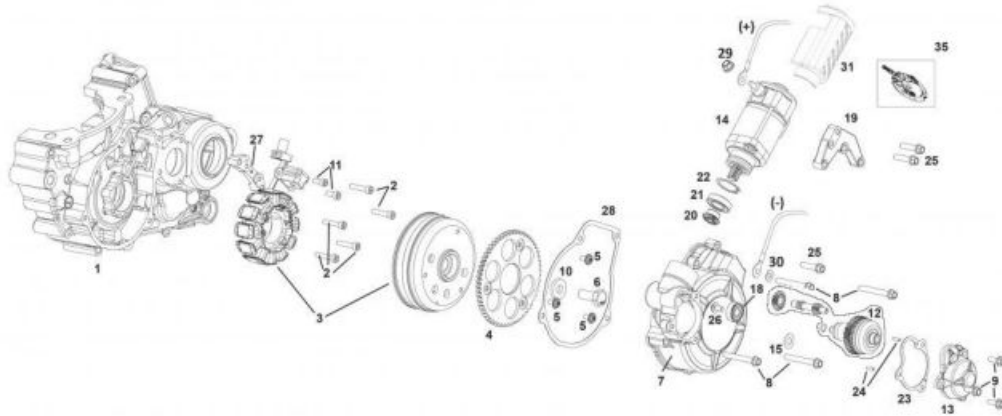
Cárter de Motor



1	<ul style="list-style-type: none"> JUNTA TAPA EMBR.0.5mm 0/000.490.9108 (u. 1)
2	<ul style="list-style-type: none"> JUNTA CARTER 2018 0/000.490.9118 (u. 1)
3	<ul style="list-style-type: none"> RACORD ENTRADA AGUA 0/000.480.9123 (u. 2)
4	<ul style="list-style-type: none"> ALLEN 6X60 DIN 912 ZINC 12.9 0/000.460.9150 (u. 1)
6a	<ul style="list-style-type: none"> ESPARRAGO CIL. 0/000.280.9100 (u. 4)
7	<ul style="list-style-type: none"> CASQ.CENTRADOR CARTER 6X9X14 =ME25610018 0/000.480.9119 (u. 4)
9	<ul style="list-style-type: none"> GLACIER PEDAL FRENO 1215PD10 0/000.480.9117 (u. 1)
10	<ul style="list-style-type: none"> TAPON VACIADO ACEITE HEXAGONAL-COLOR 0/000.410.9104 (u. 1)
11	<ul style="list-style-type: none"> GLACIER PEDAL DAP 1212PD 0/000.480.9105 (u. 1)
12	<ul style="list-style-type: none"> TAPON LLENDO ACEITE HEXAGONAL-COLOR TITANIO 0/000.410.9103 (u. 1)
13	<ul style="list-style-type: none"> JUNTA TAPA DISCOS 2014 0/000.490.9104 (u. 1)
14	<ul style="list-style-type: none"> TAPA DISCOS EMBRAGUE GRIS 0/000.350.9105 (u. 1)
15	<ul style="list-style-type: none"> TAPA EMBRAGUE GRIS RAL (9006) 0/000.350.9107 (u. 1)
16	<ul style="list-style-type: none"> KIT JUNTAS MOTOR ENDURO 2018 ME94610CT-CLJ-1 (u. 1)

17	<ul style="list-style-type: none"> VISOR NIVEL ACEITE EC400-4T 0/000.410.9106 (u. 1) 	
18	<ul style="list-style-type: none"> JUNTA TAPA BOMBA AGUA 2014 0/000.490.9115 (u. 1) 	
19	<ul style="list-style-type: none"> TAPA BOMBA AGUA 0/000.220.9124 (u. 1) 	
	<ul style="list-style-type: none"> TAPA BOMBA AGUA 0/000.220.9124 (u. 1) 	
20	<ul style="list-style-type: none"> TORN.ESP.6X75 DELTA PROTEK 12.9 0/000.460.9129 (u. 6) 	
21	<ul style="list-style-type: none"> TORN.ESP.6X25 DIN 6921 GEOMET 10.9 VALONA 11MM 0/000.460.9121 (u. 11) 	
22	<ul style="list-style-type: none"> TORN.ESP.6X10+ARANDELA GEOMET 10.9 0/000.460.9133 (u. 1) 	
23	<ul style="list-style-type: none"> ARANDELA COBRE 6X10X1.5 TORN.VAC.AGUA CI 0/000.440.9122 (u. 1) 	
24	<ul style="list-style-type: none"> TORN.ESP.M6X35 DIN 6921 GEOMET 0/000.460.9124 (u. 1) 	
25	<ul style="list-style-type: none"> TORN.ESP.6x60 Fil.20 DELTA PROTEK 10.9 0/000.460.9128 (u. 8) 	
26	<ul style="list-style-type: none"> ALLEN 8X14 T0308014 (u. 1) 	OBSOLETE
27	<ul style="list-style-type: none"> ARANDELA COBRE 8X12X1,5 DIN 125 A ISO 7089 0/000.440.9128 (u. 1) 	
28	<ul style="list-style-type: none"> ARANDELA TIPO BUJIA 12X18X2 0/000.440.9114 (u. 2) 	
29	<ul style="list-style-type: none"> Torica 20 x 1.5 NBR 70 0/000.490.9116 (u. 1) 	
30	<ul style="list-style-type: none"> TAPON REGLAJE CENTRIFUGO 0/000.410.9105 (u. 1) 	
31	<ul style="list-style-type: none"> CTO.CARTERS ENDURO 300 2018 ME10000CT-CLJ-1 (u. 1) - 250cc / 300cc 	
	<ul style="list-style-type: none"> CTO.CARTERS ENDURO 200 2018 ME10000CT-CLP-1 (u. 1) - 200cc 	
32	<ul style="list-style-type: none"> CASQ.CENTRADOR CARTER 6X9X14 =ME25610018 0/000.480.9119 (u. 2) 	
33	<ul style="list-style-type: none"> TORN.ESP.M6x30 DIN 6921 GEOMET 0/000.460.9123 (u. 5) 	

Generador

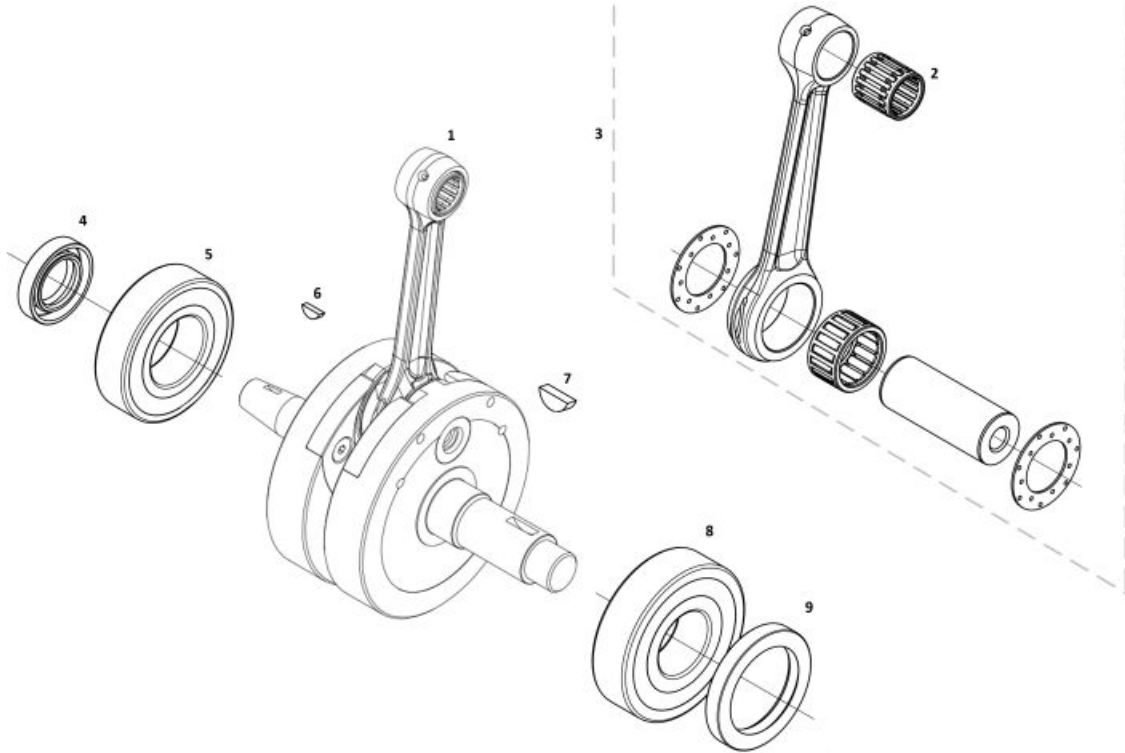


1	<ul style="list-style-type: none"> KIT ARRANQUE ELECTRICO EC 2015 0/005.480.9101 (u. 1) 	
	<ul style="list-style-type: none"> KIT ARRANQUE ELECTRICO EC 2015 EE80000CT-CBR-3 (u. 1) 	OBSOLETE
2	<ul style="list-style-type: none"> ALLEN 5X25 8.8 DRACOMET T0305025 (u. 5) 	OBSOLETE
	<ul style="list-style-type: none"> ALLEN 5X25 DIN 912 DRACOMET 8.8 0/000.460.9146 (u. 5) 	
3	<ul style="list-style-type: none"> KIT VOLANTE MAGNETICO EC 250-300 2019 EE70000CT-CSK-1 (u. 1) 	
4	<ul style="list-style-type: none"> CORONA ARRANQUE ELECTRICO EC 2015 EE80200GG-CBR-2 (u. 1) 	OBSOLETE
	<ul style="list-style-type: none"> CORONA ARRANQUE ELECTRICO EC 2015 0/005.400.9102 (u. 1) 	
5	<ul style="list-style-type: none"> TORX CABEZA ABOM.ARANDELA 5X8 ISO 7380-2 10.9 0/000.460.9154 (u. 3) 	
	<ul style="list-style-type: none"> TORX CABEZA ABOM.ARANDELA 5X8 T0455008 (u. 3) 	OBSOLETE
6	<ul style="list-style-type: none"> EXAG.10X25 VOL.MAG.N.2018 T02010025 (u. 1) 	OBSOLETE
	<ul style="list-style-type: none"> EXAG.10X25 VOL.MAG.N.2018 GEOMET 0/000.460.9112 (u. 1) 	
7	<ul style="list-style-type: none"> TAPA ENCENDIDO EC 2015 ME60100GG-CBR-3 (u. 1) 	
8	<ul style="list-style-type: none"> TORN.ESP.6x40 Fil.20 GEOMET 10.9 0/000.460.9125 (u. 1) 	
	<ul style="list-style-type: none"> TORN.ESP.6x40 Fil.20 T0206040 (u. 1) 	OBSOLETE
9	<ul style="list-style-type: none"> TORN.ESP.+ARAND.5x15 DIN 6921 GEOMET 10.9 0/000.460.9115 (u. 3) 	
	<ul style="list-style-type: none"> TORN.ESP.+ARAND.5x15 ZI T0205015 (u. 3) 	OBSOLETE
10	<ul style="list-style-type: none"> ARANDELA GRUESA 10x23x4 NG. T4001024 (u. 1) 	OBSOLETE

11	<ul style="list-style-type: none"> ALLEN 5X10 T0305010 (u. 2) 	OBSOLETE
	<ul style="list-style-type: none"> ALLEN 5X10 DIN 912 ZINC 12.9 0/000.460.9145 (u. 2) 	
12	<ul style="list-style-type: none"> BENDIX COMPLETO MR MEJORADO 0/005.400.9115 (u. 1) 	
13	<ul style="list-style-type: none"> TAPA BENDIX EC 2015 EE80130GG-CBR-2 (u. 1) 	
14	<ul style="list-style-type: none"> MOTOR ARRAN.ELEC.EC 2015 PHI50mm EE80000GG-CBR-2 (u. 1) 	OBSOLETE
	<ul style="list-style-type: none"> MOTOR ARRAN.ELEC.EC 2015 PHI50mm 0/005.480.9100 (u. 1) 	
15	<ul style="list-style-type: none"> ARAN.CENTRIF.08.1X17X0.2 =ST950705 ME25616070 (u. 2) 	
18	<ul style="list-style-type: none"> RODA.EJE CENTRI.Y BOMBA 608.Z.C3 ME25616032 (u. 1) 	OBSOLETE
	<ul style="list-style-type: none"> RODA.EJE CENTRI.Y BOMBA 608.Z.C3 0/000.960.9108 (u. 1) 	
19	<ul style="list-style-type: none"> SOPORTE MOTOR ARRANQUE ELECTRICO EC 2015 EE80050GG-CBR-3 (u. 1) 	OBSOLETE
	<ul style="list-style-type: none"> SOPORTE MOTOR ARRANQUE ELECTRICO EC 2015 0/000.980.9111 (u. 1) 	
20	<ul style="list-style-type: none"> KIT PIÑONES HELECOIDALES ARRANQUE ELECTRICO EC EE80116CT-CBR-1 (u. 1) 	
21	<ul style="list-style-type: none"> COJINETE 61902-2ZC4 EE80070GG-CBR-1 (u. 1) 	
22	<ul style="list-style-type: none"> SEEGER DIN-472-DIAM 28X1.2 EE80055GG-CBR-1 (u. 1) 	
23	<ul style="list-style-type: none"> JUNTA TAPA BENDIX EC 2015 EE80135GG-CBR-1 (u. 1) 	
24	<ul style="list-style-type: none"> AGUJA DIN5402-3 TIPO BF DIAM-3X9.8 PLANA EE80140GG-CBR-1 (u. 2) 	
25	<ul style="list-style-type: none"> TORN.ESP.6X25 DIN 6921 GEOMET 10.9 VALONA 11MM 0/000.460.9121 (u. 3) 	OBSOLETE
	<ul style="list-style-type: none"> TORN.ESP.6X25(10.9) VALONA 11MM T0206025 (u. 3) 	
26	<ul style="list-style-type: none"> TORX M5X12PASO 0.8 CAB. ABOMBADA ARAND. 051208BB (u. 1) 	
27	<ul style="list-style-type: none"> ADAPTADOR PULSADOR HIDRIA EC 2014 V2 EE70216GG-CAB-2 (u. 1) 	OBSOLETE
	<ul style="list-style-type: none"> ADAPTADOR PULSADOR HIDRIA EC 2014 V2 0/000.980.9109 (u. 1) 	
28	<ul style="list-style-type: none"> JUNTA TAPA VOLANTE ME94500GG-CSK-1 (u. 1) 	OBSOLETE
	<ul style="list-style-type: none"> JUNTA TAPA VOLANTE 0/000.490.9119 (u. 1) 	
29	<ul style="list-style-type: none"> TUERCA+ARAN.M-6 ESTR. DIN 6923 ZINC 8 0/000.340.9116 (u. 1) 	OBSOLETE
	<ul style="list-style-type: none"> TUERCA+ARAN.M-6 (DIN 6923) ESTR. T2206000 (u. 1) 	
30	<ul style="list-style-type: none"> ARANDELA PLANA 6X12X1.5 DIN 125 ZINC 0/000.440.9124 (u. 1) 	OBSOLETE
	<ul style="list-style-type: none"> ARANDELA PLANA 6X12X1.5 (DIN 125) T4006012 (u. 1) 	

31	<ul style="list-style-type: none"> TAPA ARRANQUE ELECTRICO ENDURO 2018 0/000.220.9119 (u. 1) 	
	<ul style="list-style-type: none"> TAPA ARRANQUE ELECTRICO ENDURO 2018 EE85100GG-CLJ-1 (u. 1) 	OBSOLETE
32	<ul style="list-style-type: none"> ALLEN 6x45 DIN 912 ZINC 12.9 0/000.460.9149 (u. 1) 	
	<ul style="list-style-type: none"> ALLEN 6x45 12.9 T0306045 (u. 1) 	OBSOLETE
33	<ul style="list-style-type: none"> ALLEN 6x40 DIN 912 ZINC 12.9 0/000.460.9148 (u. 1) 	
	<ul style="list-style-type: none"> ALLEN 6x40 12.9 (DIN 912) T0306040 (u. 1) 	OBSOLETE
34	<ul style="list-style-type: none"> TORN.ESP.6x50 Fil.20 DIN 6921 GEOMET 10.9 0/000.460.9126 (u. 1) 	
	<ul style="list-style-type: none"> TORN.ESP.6x50 Fil.20 10.9 T0206050 (u. 1) 	OBSOLETE

Cigüeñal



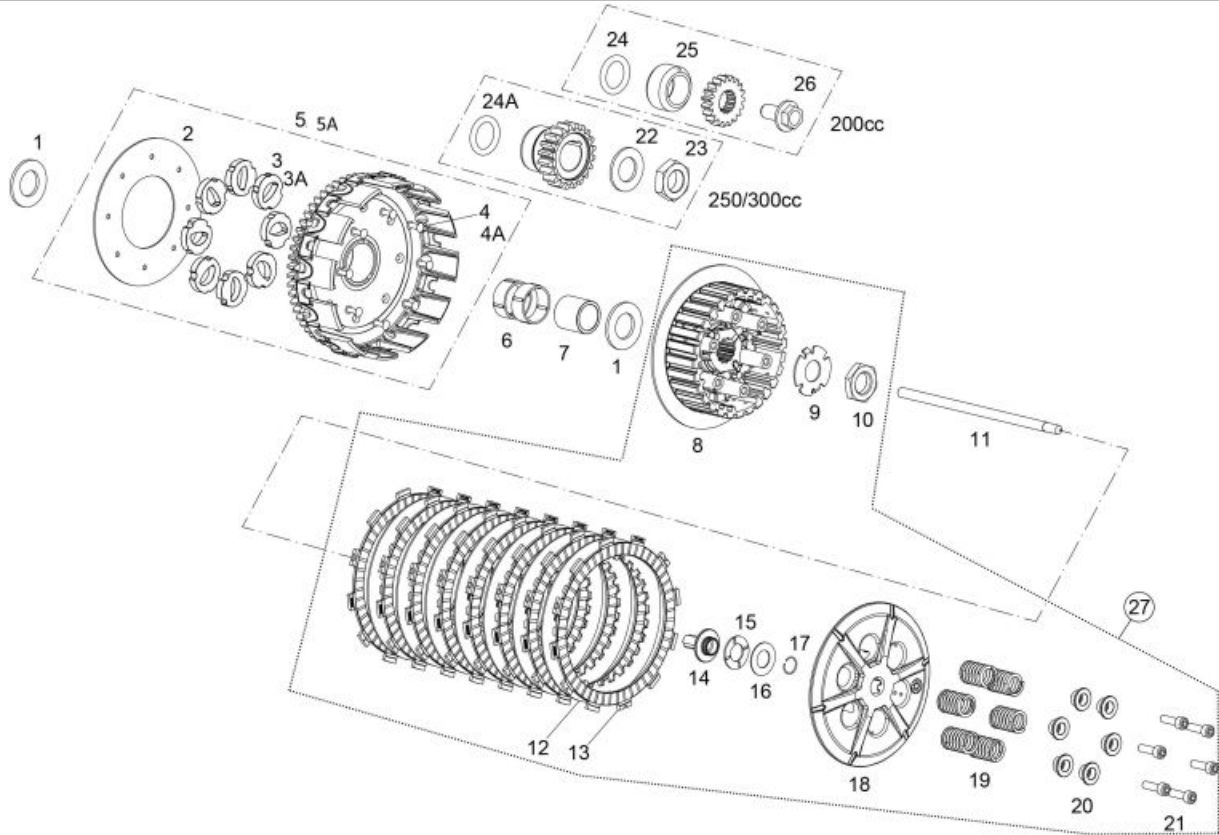
	<ul style="list-style-type: none"> CTO.CIGUEÑAL ENDURO 2018 ME30000CT-CLJ-1 (u. 1) - 250cc / 300cc 	OBSOLETE
1	<ul style="list-style-type: none"> CIGUEÑAL EC200-2014 ME30000CT-CBT-1 (u. 1) - 200cc CTO.CIGUEÑAL ENDURO 2018 0/005.380.9100 (u. 1) 	OBSOLETE
2	<ul style="list-style-type: none"> ROD.RV.18X22X21,8 S PIE DE BIELA ME25616035 (u. 1) 	
3	<ul style="list-style-type: none"> CTO.BIELA ENDURO ME25612100 (u. 1) 	
4	<ul style="list-style-type: none"> RETEN LADO IZ.CIG.TCJ 20x35x6/6.5 ME250112009 (u. 1) RETEN LADO IZ.CIG.TCJ 20x35x6/6.5 0/000.890.9103 (u. 1) 	OBSOLETE
5	<ul style="list-style-type: none"> COJINETE CIGUEÑAL IZQUIERDO 6206- TN9/C4 (ABIERTO) ME31010GG-CLJ-1 (u. 1) COJINETE CIGUEÑAL IZQUIERDO 6206- TN9/C4 (ABIERTO) 0/000.960.9115 (u. 1) 	OBSOLETE
6	<ul style="list-style-type: none"> CHAVETA 3x3.7xD10 TRIAL 2002 MT280234016 (u. 1) CHAVETA 3x3.7 D.10 DIN 6888 0/005.490.9102 (u. 1) 	OBSOLETE
7	<ul style="list-style-type: none"> CHAVETA LADO EMBR.(DIAM 16X5X6.5) DIN 68 ME31030GG-CAB-1 (u. 1) CHAVETA LADO EMBR.(DIAM 16X5X6.5) DIN 6888 0/005.490.9100 (u. 1) 	OBSOLETE
8	<ul style="list-style-type: none"> COJINETE CIGUEÑAL DERECHO 63/28-HN3/C3 GXN (ABIERTO) ME31015GG-CLJ-1 (u. 1) COJINETE CIGUEÑAL DERECHO 63/28-HN3/C3 GXN (ABIERTO) 0/000.960.9116 (u. 1) 	OBSOLETE

9

- RETEN DCH.O.CIGUEÑAL TB2J 38-52 7
ME250112008 (u. 1)
- RETEN DCH.O.CIGUEÑAL TB2J 38-52 7
0/000.890.9102 (u. 1)

OBSOLETE

Embrague

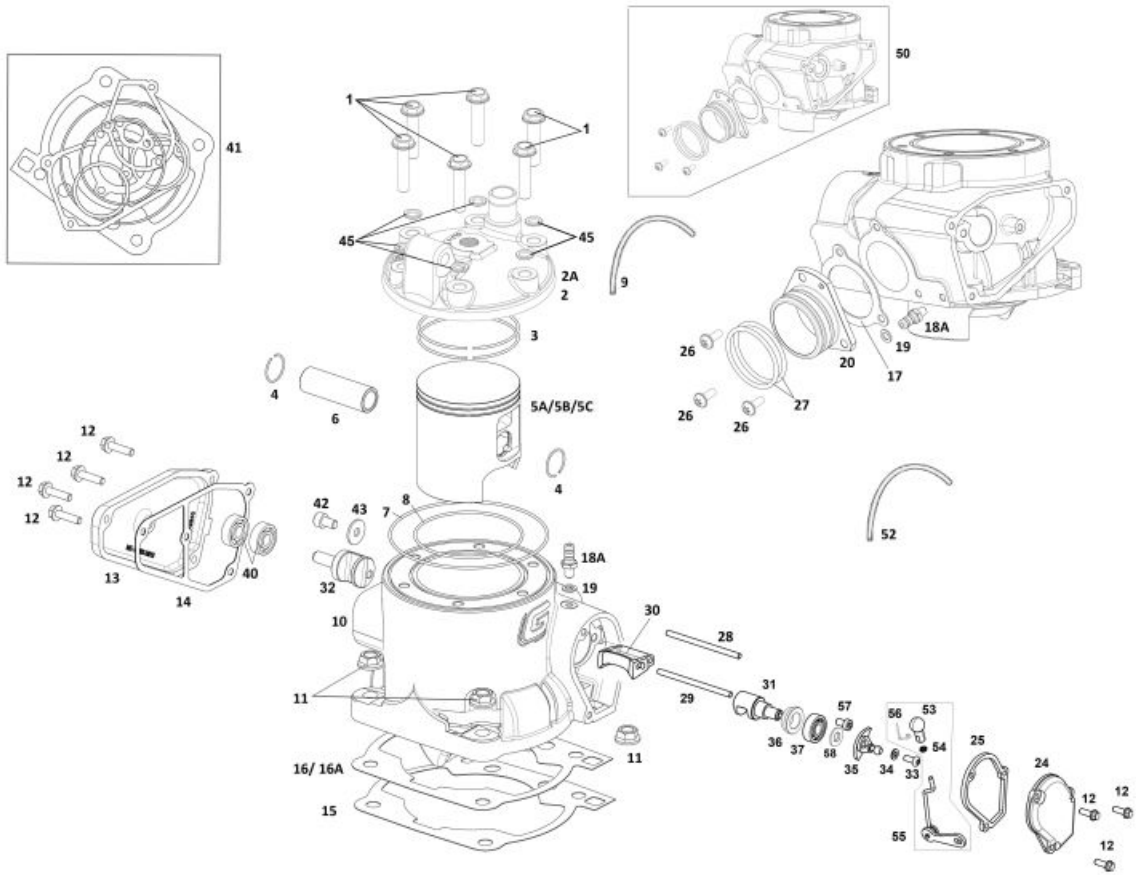


1	<ul style="list-style-type: none"> ● ARAN.CAMPANA EMBRAG.22.1X42X2.8 0/000.440.9106 (u. 2) ● ARAN.CAMPANA EMBRAG.22.1X42X2.8 ME25632011 (u. 2) 	OBSELETE
2	<ul style="list-style-type: none"> ● ARANDELA CORONA EMBR. ME20932009 (u. 1) 	
3	<ul style="list-style-type: none"> ● GOMA SILENBLOC C4015/115 EMBR.3376 ME20932008 (u. 8) 	
4	<ul style="list-style-type: none"> ● REMACHE CAMPANA EMBR. ME250132010 (u. 8) 	
5	<ul style="list-style-type: none"> ● CTO.CORONA EMBR.ENDURO 250-300 2014 ME21000CT-CAB-1 (u. 1) - 250cc / 300cc ● CTO.CORONA EMBR.ENDURO 200 0/005.400.9103 (u. 1) ● CTO.CORONA EMBR.ENDURO 200 ME20932003CT (u. 1) - 200cc ● CTO.CORONA-PIÑON EMBR.ENDURO 250-300 2014 0/005.400.9104 (u. 1) 	OBSELETE
6	<ul style="list-style-type: none"> ● COJI.CAMP.EMB.K28X33X13FV-M1 M3 0/000.980.9113 (u. 2) ● COJI.CAMP.EMB.K28X33X13FV-M1 M3 ME25632029 (u. 2) 	OBSELETE
7	<ul style="list-style-type: none"> ● CASQ.CAMPANA EMBR. 0/000.480.9121 (u. 1) ● CASQ.CAMPANA EMBR. ME25632012 (u. 1) 	OBSELETE
8	<ul style="list-style-type: none"> ● CUBO EMBRAGUE ENDURO 2018 ME22005GG-CLJ-1 (u. 1) 	

9	<ul style="list-style-type: none"> ARANDELA PRECINTO CORONA EMBRAGUE ENDURO 2018 ME21120GG-CLJ-1 (u. 1) 	OBSOLETE
	<ul style="list-style-type: none"> ARANDELA PRECINTO CORONA EMBRAGUE ENDURO 2018 0/000.440.9104 (u. 1) 	
10	<ul style="list-style-type: none"> TUERCA FIJ.CUBO EMB. ME25632028 (u. 1) 	OBSOLETE
	<ul style="list-style-type: none"> TUERCA FIJ.CUBO EMB. 0/000.340.9107 (u. 1) 	
11	<ul style="list-style-type: none"> VARILLA EMBR. 0/000.190.9105 (u. 1) 	
	<ul style="list-style-type: none"> VARILLA EMBR. ME25632040 (u. 1) 	OBSOLETE
12	<ul style="list-style-type: none"> DISCOS EMBRAGUE HIERRO ME22105GG-CLJ-1 (u. 7) 	
13	<ul style="list-style-type: none"> DISCOS EMB.FORRADO 7138 ME25632007 (u. 8) 	
14	<ul style="list-style-type: none"> CASQ.PREMSA EMBR.EC 2014 (CLUTCH PIN) 0/000.480.9120 (u. 1) 	
	<ul style="list-style-type: none"> CASQ.PREMSA EMBR.EC 2014 (CLUTCH PIN) ME23100GG-CAB-1 (u. 1) 	OBSOLETE
15	<ul style="list-style-type: none"> JAULA AGUJA VALV.ESCAPE AXK 1528 ME25632046 (u. 1) 	OBSOLETE
	<ul style="list-style-type: none"> JAULA AGUJA VALV.ESCAPE AXK 1528 0/000.960.9109 (u. 1) 	
16	<ul style="list-style-type: none"> PLACA AGUJA ROD.BOLET Y VAL.ESCAPE AS 15 0/000.440.9107 (u. 1) 	
	<ul style="list-style-type: none"> PLACA AGUJA ROD.BOLET Y VAL.ESCAPE AS 15 ME25632016 (u. 1) 	OBSOLETE
17	<ul style="list-style-type: none"> ANILLO PREMSA EMBR.2014 (DIN7993 Ø14X1) ME23150GG-CAB-1 (u. 1) 	OBSOLETE
	<ul style="list-style-type: none"> ANILLO PREMSA EMBR. DIN7993 Ø14X1 0/000.300.9102 (u. 1) 	
18	<ul style="list-style-type: none"> PREMSA PLATO ENDURO 2018 ME23000GG-CLJ-1 (u. 1) 	
19	<ul style="list-style-type: none"> CASQ.MUELLE EMBR. EC-2018 ME22020GG-CLJ-1 (u. 6) 	
20	<ul style="list-style-type: none"> MUELLE EMBRAGUE EC-2018 ME22025GG-CLJ-1 (u. 6) 	
21	<ul style="list-style-type: none"> ALLEN 6X25 TA.EMB,CART,SUSP.12.9 T0306025 (u. 6) 	
22	<ul style="list-style-type: none"> ARANDELA DIN 125 PULIDA D-20 ZINC 40-42HRC 0/000.440.9108 (u. 1) 	
	<ul style="list-style-type: none"> ARAN.BISEL.D.20 / 125-B-M 5.6 PULIDA PIÑ ME25632019 (u. 1) - 250cc / 300cc 	OBSOLETE
23	<ul style="list-style-type: none"> TUERCA BLOCAJE PIÑON CIGUEÑAL EC-2000 ME250032018 (u. 1) - 250cc / 300cc 	OBSOLETE
	<ul style="list-style-type: none"> TUERCA BLOCAJE PIÑON CIGUEÑAL EC-2000 0/000.340.9106 (u. 1) 	
24	<ul style="list-style-type: none"> TORICA PIÑON PRIM.EMBR.(Ø23*5 NBR) 0/000.490.9106 (u. 1) 	
	<ul style="list-style-type: none"> TORICA PIÑON PRIM.EMBR.(Ø23*5 NBR) ME21180GG-CAB-1 (u. 1) 	OBSOLETE
	<ul style="list-style-type: none"> JUNTA TORICA 20X1 ST950207 (u. 1) - 200cc 	OBSOLETE

25	<ul style="list-style-type: none"> CASQ.CIGUEÑAL 25X38X20 0/000.480.9127 (u. 1) 	
	<ul style="list-style-type: none"> CASQ.CIGUEÑAL 25X38X20 ME200512014 (u. 1) - 200cc 	OBSOLETE
26	<ul style="list-style-type: none"> TORN.ESP.12X25X1.25 FIL.20 12.9 GEOMET 0/000.460.9114 (u. 1) 	
	<ul style="list-style-type: none"> TORN.ESP.12X25X1.25 FIL.20 12.9 T02012025 (u. 1) - 200cc 	OBSOLETE
27	<ul style="list-style-type: none"> CTO.CUBO EMBR.ENDURO 2018 0/005.350.9100 (u. 1) 	
	<ul style="list-style-type: none"> CTO.CUBO EMBR.ENDURO 2018 ME22005CT-CLJ-1 (u. 1) 	OBSOLETE

Cilindro



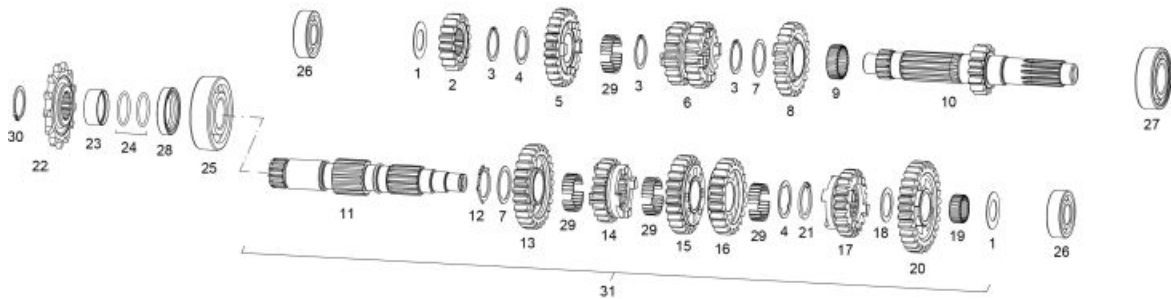
1	<ul style="list-style-type: none"> TORN.EXAG.+ARAND 8X35 T0208035 (u. 6) 	OBSOLETE
2	<ul style="list-style-type: none"> TORN.EXAG.+ARAND 8X35 DELTA PROTEK 10.9 0/000.460.9130 (u. 6) 	OBSOLETE
3	<ul style="list-style-type: none"> CULATA ECRANGER 300 2019 ME75000GG-CTR-1 (u. 1) - 300cc 	OBSOLETE
3	<ul style="list-style-type: none"> JUEGO AROS PISTON TT-300 2835CD ME30916040 (u. 1) - 300cc 	
4	<ul style="list-style-type: none"> JUEGO CLIP BULON TT 250 ME25616126 (u. 2) 	
5B	<ul style="list-style-type: none"> PISTON TT 300 71.95 B ME300416121 (u. 1) - 300cc 	
5A	<ul style="list-style-type: none"> PISTON TT 300 EC-2004 ME300416020 (u. 1) - 300cc 	
6	<ul style="list-style-type: none"> BULON PISTON TT 250 ME25616125 (u. 1) 	
7	<ul style="list-style-type: none"> TORICA CULATA EXT.107.67x1.78 ME25916060 (u. 1) - 200cc 	OBSOLETE
7	<ul style="list-style-type: none"> TORICA CULATA EXT.107.67x1.78 0/000.490.9109 (u. 1) 	
8	<ul style="list-style-type: none"> TORICA CULATA INT.VITON 72.7x1.78 0/000.490.9110 (u. 1) 	
8	<ul style="list-style-type: none"> TORICA CULATA INTER.75.92X1.78 VITON ME30916065 (u. 1) - 300cc 	OBSOLETE
8	<ul style="list-style-type: none"> TORICA CULATA INT.VITON 72.7x1.78 ME25916065 (u. 1) 	OBSOLETE
8	<ul style="list-style-type: none"> TORICA CULATA INTER.75.92X1.78 VITON 0/000.490.9111 (u. 1) 	

9	<ul style="list-style-type: none"> TUBO DESV.CARTER (55 cm.) ME25610022 (u. 1) 	
10	<ul style="list-style-type: none"> CILINDRO ECRANGER 300 2019 ME70000GG-CTR-1 (u. 1) - 300cc 	
11	<ul style="list-style-type: none"> TUERCA CIL.8.8 ESP.10/150 C13 =ME2561603 M01613001 (u. 4) 	OBSOLETE
	<ul style="list-style-type: none"> TUERCA DIN 6923 ZINC 8.8 ESP.10/150 C13 0/000.340.9105 (u. 4) 	
12	<ul style="list-style-type: none"> TORN.ESP.+ARAND.5x15 ZI T0205015 (u. 7) 	OBSOLETE
	<ul style="list-style-type: none"> TORN.ESP.+ARAND.5x15 DIN 6921 GEOMET 10.9 0/000.460.9115 (u. 7) 	
13	<ul style="list-style-type: none"> TAPA VALV.IZQ.EC 2013 ME100033013 (u. 1) 	OBSOLETE
	<ul style="list-style-type: none"> TAPA VALV.IZQ.EC 2013 0/000.350.9104 (u. 1) 	
14	<ul style="list-style-type: none"> JUNTA TAPA VAL.IZDA.EC 2013 ME440063013 (u. 1) 	OBSOLETE
	<ul style="list-style-type: none"> JUNTA TAPA VAL.IZDA.EC 2013 0/000.490.9113 (u. 1) 	
15	<ul style="list-style-type: none"> JUNTA CIL.0.15 ME25644010 (u. 1) 	
16A	<ul style="list-style-type: none"> JUNTA CIL.0.3 ME25644009 (u. 1) 	
16	<ul style="list-style-type: none"> JUNTA CILINDRO 0,5 METALICA CON SILICONA ENDURO 2018 0/000.490.9112 (u. 1) 	
	<ul style="list-style-type: none"> JUNTA CILINDRO METALICA CON SILICONA ENDURO 2018 ME44000GG-CLJ-1 (u. 1) 	OBSOLETE
17	<ul style="list-style-type: none"> JUNTA ESCAPE ME25644012 (u. 1) 	
18A	<ul style="list-style-type: none"> DESVAP.CARTER D.3=ME25610012 M01032001 (u. 2) 	OBSOLETE
	<ul style="list-style-type: none"> DESVAP.CARTER D.3=ME25610012 0/000.630.9105 (u. 2) 	
19	<ul style="list-style-type: none"> ARANDELA FIBRA 6X10X1.5 0/000.440.9123 (u. 2) 	
	<ul style="list-style-type: none"> ARANDELA FIBRA 6X10X1.5 T4006010 (u. 2) 	OBSOLETE
20	<ul style="list-style-type: none"> TUBERA ESCAPE 2005 ME250516019 (u. 1) 	
24	<ul style="list-style-type: none"> TAPA VALV.DCH.EC300 2014 ME72020GG-CAB-1 (u. 1) 	OBSOLETE
	<ul style="list-style-type: none"> TAPA VALV.DCH.EC300 2014 0/000.350.9108 (u. 1) 	
25	<ul style="list-style-type: none"> JUNTA TAPA VALV.DER.4mm ME70055GG-CEQ-1 (u. 1) 	OBSOLETE
	<ul style="list-style-type: none"> JUNTA TAPA VALV.DER.4mm 0/000.490.9117 (u. 1) 	
26	<ul style="list-style-type: none"> ULS TORX 6X14 DIN 7380-1 ZINCADO 10.9 T0566014 (u. 3) 	
27	<ul style="list-style-type: none"> TORICA TUBERA ESCAPE 44X3 FP (viton) BE250526006 (u. 2) 	
28	<ul style="list-style-type: none"> EJE VALV.ESCAP LARGO 93mm. ME25616027 (u. 1) 	
29	<ul style="list-style-type: none"> EJE VALV.ESCAPE CORTO 83mm. ME25616017 (u. 1) 	

30	<ul style="list-style-type: none"> VALVULA CENTRAL ENDURO 250 2018 ME72005GG-CLK-1 (u. 1) 	
31	<ul style="list-style-type: none"> VALVULA DERECHA ENDURO 250 2018 ME72000GG-CLK-1 (u. 1) 	
32	<ul style="list-style-type: none"> VALVULA IZQUIERDA ENDURO 250 2018 ME72010GG-CLK-1 (u. 1) 	
33	<ul style="list-style-type: none"> ULS 5X10 BN13255 10.9 LAMINAS ZIN. T0505010 (u. 1) 	OBSOLETE
	<ul style="list-style-type: none"> SCREW ISO 7380 Allen M5x10 Cal.10.9 Z/BLANCO 0/000.460.2000 (u. 1) 	
34	<ul style="list-style-type: none"> ARANDELA 5X12X1.5 DIN 125A ZINC 0/000.440.9121 (u. 1) 	
	<ul style="list-style-type: none"> ARANDELA 5X12X1.5 T4005012 (u. 1) 	OBSOLETE
35	<ul style="list-style-type: none"> CTO.PALANCA VALV.ESCAPE EC 2015 0/000.640.9103 (u. 1) 	
	<ul style="list-style-type: none"> CTO.PALANCA VALV.ESCAPE EC 2015 ME72320CT-CEQ-1 (u. 1) 	OBSOLETE
36	<ul style="list-style-type: none"> DIST.COJINETE VALV.ESCAPE ME25616036 (u. 1) 	
37	<ul style="list-style-type: none"> RODAM.BOMBA AGUA 6000C3Z =M03313001 0/000.960.9107 (u. 1) 	
	<ul style="list-style-type: none"> RODAM.BOMBA AGUA 6000C3Z =M03313001 ME25610010 (u. 1) 	OBSOLETE
40	<ul style="list-style-type: none"> RODA.EJE CENTRI.Y BOMBA 608.Z.C3 ME25616032 (u. 2) 	OBSOLETE
	<ul style="list-style-type: none"> RODA.EJE CENTRI.Y BOMBA 608.Z.C3 0/000.960.9108 (u. 2) 	
41	<ul style="list-style-type: none"> KIT JUNTAS DE CIL.CULATA 300C.C. ME94620CT-CAB-1 (u. 1) - 300cc 	
42	<ul style="list-style-type: none"> ALLEN 6X10 8.8 BOB. T0306010 (u. 2) 	
43	<ul style="list-style-type: none"> ARANDELA 6X18X1.5 (DIN 9021) T4006018 (u. 1) 	OBSOLETE
	<ul style="list-style-type: none"> ARANDELA 6X18X1.5 DIN 9021 ZINC 0/000.440.9126 (u. 1) 	
44	<ul style="list-style-type: none"> ARANDELA PLANA 6X12X1.5 (DIN 125) T4006012 (u. 1) 	OBSOLETE
	<ul style="list-style-type: none"> ARANDELA PLANA 6X12X1.5 DIN 125 ZINC 0/000.440.9124 (u. 1) 	
45	<ul style="list-style-type: none"> ARANDELA COBRE 8.5x16x1.5 T4008516 (u. 6) 	OBSOLETE
	<ul style="list-style-type: none"> ARANDELA COBRE 8.5x16x1.5 DIN 125 A ISO 7090 0/000.440.9130 (u. 6) 	
50	<ul style="list-style-type: none"> CTO.CILINDRO ECRANGER 300 2019 ME70000CT-CTR-1 (u. 1) - 300cc 	OBSOLETE
51	<ul style="list-style-type: none"> ARANDELA COBRE 6X10X1.5 TORN.VAC.AGUA CI 0/000.440.9122 (u. 2) 	
	<ul style="list-style-type: none"> ARANDELA COBRE 6X10X1.5 TORN.VAC.AGUA CI T4006008 (u. 2) 	OBSOLETE
52	<ul style="list-style-type: none"> TUBO RESPIRADERO VALV.S EC-2009 BE733001209 (u. 1) 	

53	<ul style="list-style-type: none"> ● ROTULA DIN-71805 ME72324GG-CEQ-1 (u. 1) 	OBSOLETE
	<ul style="list-style-type: none"> ● CTO.VARILLA VALV.ESCAPE COMPLETO EC 2015 ME72325CT-CEQ-1 (u. 1) 	OBSOLETE
	<ul style="list-style-type: none"> ● CTO.VARILLA VALV.ESCAPE COMPLETO EC 2015 0/000.640.9104 (u. 1) 	
	<ul style="list-style-type: none"> ● ROTULA DIN-71805 0/000.340.9108 (u. 1) 	
54	<ul style="list-style-type: none"> ● TUERCA M 3.5X0.6 T2503006 (u. 1) 	OBSOLETE
55	<ul style="list-style-type: none"> ● CTO.VARILLA VALV.ESCAPE COMPLETO EC 2015 0/000.640.9104 (u. 1) 	
	<ul style="list-style-type: none"> ● CTO.VARILLA VALV.ESCAPE COMPLETO EC 2015 ME72325CT-CEQ-1 (u. 1) 	OBSOLETE
56	<ul style="list-style-type: none"> ● CLIP DE SEGURIDAD ROTULA 0/000.840.9103 (u. 1) 	
	<ul style="list-style-type: none"> ● CLIP DE SEGURIDAD ROTULA ME72326GG-CEQ-1 (u. 1) 	OBSOLETE
58	<ul style="list-style-type: none"> ● CASQUILLO SEPARADOR COJINETE VALV.ESCAPE ME71100GG-CEQ-1 (u. 1) 	OBSOLETE
	<ul style="list-style-type: none"> ● CASQUILLO SEPARADOR COJINETE VALV.ESCAPE 0/000.480.9124 (u. 1) 	
59	<ul style="list-style-type: none"> ● TORNILLO ESPECIAL CON ARANDELA 5x20 GEOMET 0/000.460.9117 (u. 1) 	
	<ul style="list-style-type: none"> ● TORNILLO ESPECIAL CON ARANDELA 5x20 T0205020 (u. 1) 	OBSOLETE

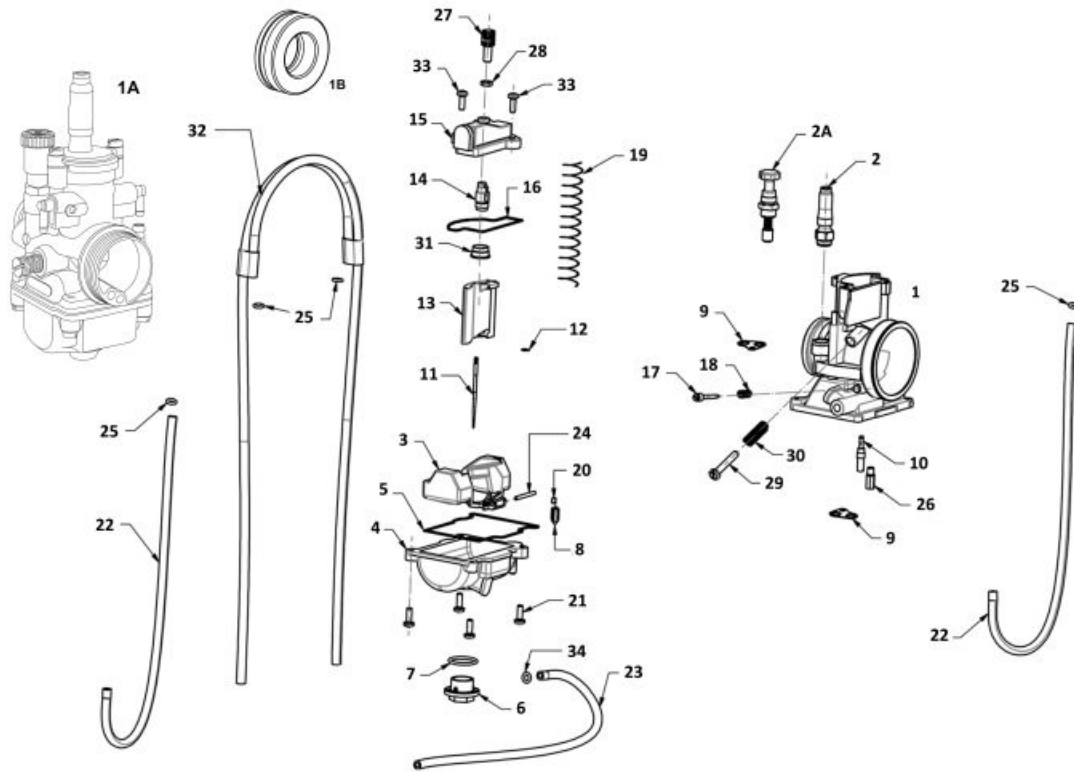
Cambio



1	<ul style="list-style-type: none"> ARANDELA 18X31.5X0.7 CAMBIO ME25636014 (u. 2) 	
2	<ul style="list-style-type: none"> PIÑÓN PRIMARIO II Z-16 ME25636071 (u. 1) 	
3	<ul style="list-style-type: none"> CIRCLIP D.25 DIN 471 ME25936084 (u. 3) CIRCLIP D.25 DIN 471 0/000.300.9107 (u. 3) 	OBSOLETE
4	<ul style="list-style-type: none"> ARANDELA 31.5X(25X22)X1 SEC.3-4 ESTR.CAM ME25636091 (u. 2) 	
5	<ul style="list-style-type: none"> PIÑÓN PRIMARIO VI Z-24 ME25636074 (u. 1) 	
6	<ul style="list-style-type: none"> PIÑÓN PRIMARIO III Y IV ME25636072 (u. 1) 	
7	<ul style="list-style-type: none"> ARANDELA 25.2X31.5X1 CAMBIO ME25636017 (u. 2) 	
8	<ul style="list-style-type: none"> PIÑÓN PRIMARIO V Z-23 ME25636073 (u. 1) 	
9	<ul style="list-style-type: none"> COJINETE AGUJAS K25-29-10 M02616000 (u. 1) COJINETE AGUJAS K25-29-10 0/000.960.9104 (u. 1) 	OBSOLETE
10	<ul style="list-style-type: none"> EJE PRIMARIO EC 250-2002 ME250236070 (u. 1) 	
11	<ul style="list-style-type: none"> EJE SECUNDARIO EC 08 ME410002508 (u. 1) 	
12	<ul style="list-style-type: none"> CIRCLIP D.25 DIN 983 =25049255 ME25636095 (u. 1) 	
13	<ul style="list-style-type: none"> PIÑÓN SECUNDARIO II 7-26 ME42211GG-CSK-1 (u. 1) 	
14	<ul style="list-style-type: none"> PIÑÓN SECUNDARIO VI Z-19 ME42215GG-CSK-1 (u. 1) 	
15	<ul style="list-style-type: none"> PIÑÓN SECUNDARIO III Z-24 ME42212GG-CSK-1 (u. 1) 	
16	<ul style="list-style-type: none"> PIÑÓN SECUNDARIO IV Z-22 ME42213GG-CSK-1 (u. 1) 	
17	<ul style="list-style-type: none"> PIÑÓN SECUNDARIO V Z-21 ME42214GG-CSK-1 (u. 1) 	

18	<ul style="list-style-type: none"> ARANDELA 20.8X29X1 CAMBIO ME25636016 (u. 1) 	
19	<ul style="list-style-type: none"> RODA.AGUJ.K20X24X10 0/000.960.9114 (u. 1) 	
	<ul style="list-style-type: none"> RODA.AGUJ.K20X24X10 ME25636059 (u. 1) 	OBSOLETE
20	<ul style="list-style-type: none"> PIÑON SECUNDARIO I Z-29 ME42210GG-CSK-1 (u. 1) 	
21	<ul style="list-style-type: none"> CIRCLIP D.25 DIN 471 REBAIXAD D.2 SE03025200009 (u. 1) 	
22	<ul style="list-style-type: none"> PIÑON SALIDA TG421X12T MF25836025 (u. 1) 	OBSOLETE
	<ul style="list-style-type: none"> PIÑON SALIDA TG421X12T 0/005.400.9113 (u. 1) 	
23	<ul style="list-style-type: none"> DOLLA RETEN SALIDA CAMBIO ME25636046 (u. 1) 	OBSOLETE
	<ul style="list-style-type: none"> DOLLA RETEN SALIDA CAMBIO 0/000.260.9100 (u. 1) 	
24	<ul style="list-style-type: none"> TORICA 25 X 2 NBR PIÑ SAL. 0/000.490.9107 (u. 2) 	
	<ul style="list-style-type: none"> TORICA 25 X 2 NBR PIÑ SAL. ME25632025 (u. 2) 	OBSOLETE
25	<ul style="list-style-type: none"> RODAM.CAMBIO 6305 C3 0/000.960.9113 (u. 1) 	
	<ul style="list-style-type: none"> RODAM.CAMBIO 6305 C3 ME25636058 (u. 1) 	OBSOLETE
26	<ul style="list-style-type: none"> RODAM.CAMBIO 6203C3 0/000.960.9112 (u. 2) 	
	<ul style="list-style-type: none"> RODAM.CAMBIO 6203C3 ME25636057 (u. 2) 	OBSOLETE
27	<ul style="list-style-type: none"> RODAM.CAMBIO 6205-RSH/C3 0/000.960.9106 (u. 1) 	
	<ul style="list-style-type: none"> RODAM.CAMBIO 6205-RSH/C3 ME250136056 (u. 1) 	OBSOLETE
28	<ul style="list-style-type: none"> RETEN 30X40X7 DOBLE LABIO.PIÑ.SAL. ME25636024 (u. 1) 	OBSOLETE
	<ul style="list-style-type: none"> RETEN 30X40X7 DOBLE LABIO.PIÑ.SAL. 0/000.890.9106 (u. 1) 	
29	<ul style="list-style-type: none"> JAULA AGUJAS KD22x25x9.8 GRUPO CAMBIO 0/005.150.9101 (u. 4) 	
	<ul style="list-style-type: none"> JAULA AGUJAS KD22x25x9.8 GRUPO CAMBIO ME250236102 (u. 4) 	OBSOLETE
30	<ul style="list-style-type: none"> CIRCLIP D.25 DIN 471 ME25936084 (u. 1) 	OBSOLETE
	<ul style="list-style-type: none"> CIRCLIP D.25 DIN 471 0/000.300.9107 (u. 1) 	
31	<ul style="list-style-type: none"> CTO. CAMBIO MARCHAS 0/005.400.9107 (u. 1) 	
	<ul style="list-style-type: none"> CTO. CAMBIO MARCHAS ME40000CT-CSK-1 (u. 1) 	OBSOLETE

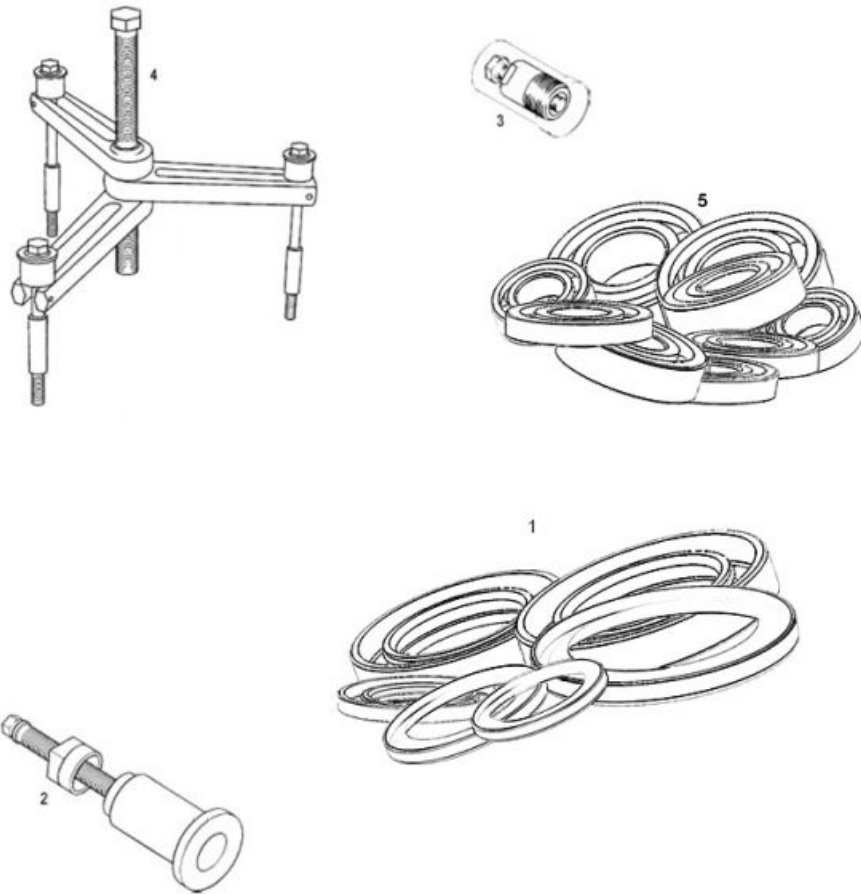
Carburador



1	<ul style="list-style-type: none"> CARB.KEIHIN PWKS DIAM.36 EC 0/005.155.9101 (u. 1) 	
1A	<ul style="list-style-type: none"> CARBURADOR PHBG 21 DS ENDURO 73/33 CAMPANA 40 0/005.155.9103 (u. 1) 	
1B	<ul style="list-style-type: none"> ADAPTADOR CARBURADOR DELL ORTO ENDURO 2018 0/005.150.9102 (u. 1) 	
2A	<ul style="list-style-type: none"> MANDO ESTARTER 1166-818-2101 ME25690011 (u. 1) 	
2	<ul style="list-style-type: none"> PERILLA AHOGADOR ME25000173012 (u. 1) 	
3	<ul style="list-style-type: none"> BOYA FLOTADOR 1052-856-2101 ME25000183012 (u. 1) 	
4	<ul style="list-style-type: none"> CUBETA FLOTADOR 1050-898-2102 ME25000193012 (u. 1) 	
5	<ul style="list-style-type: none"> JUNTA CUBETA FLOTADOR 1051-KZ40-0001 ME25000203012 (u. 1) 	
6	<ul style="list-style-type: none"> TAP.CUBETA 1018-ND4-7511 ME25690015 (u. 1) 	
7	<ul style="list-style-type: none"> TORICA TAP.CUBETA 16173-001-0040 ME25690016 (u. 1) 	OBSOLETE
8	<ul style="list-style-type: none"> AGUJA FLOTADOR 1062-814-2103 ME25000213012 (u. 1) 	
9	<ul style="list-style-type: none"> SUJECCIÒN TUBO RESPIRADERO 1531-KZ4H-690 ME25000223012 (u. 1) 	OBSOLETE
10B	<ul style="list-style-type: none"> CHICLE RALENTI 42 N424-21042 ME25690042 (u. 1) 	
10	<ul style="list-style-type: none"> AGUJA KEIHIN N1EF 0/005.150.9100 (u. 1) 	
10A	<ul style="list-style-type: none"> CHICLE RALENTI 45 ME25690045 (u. 1) 	OBSOLETE

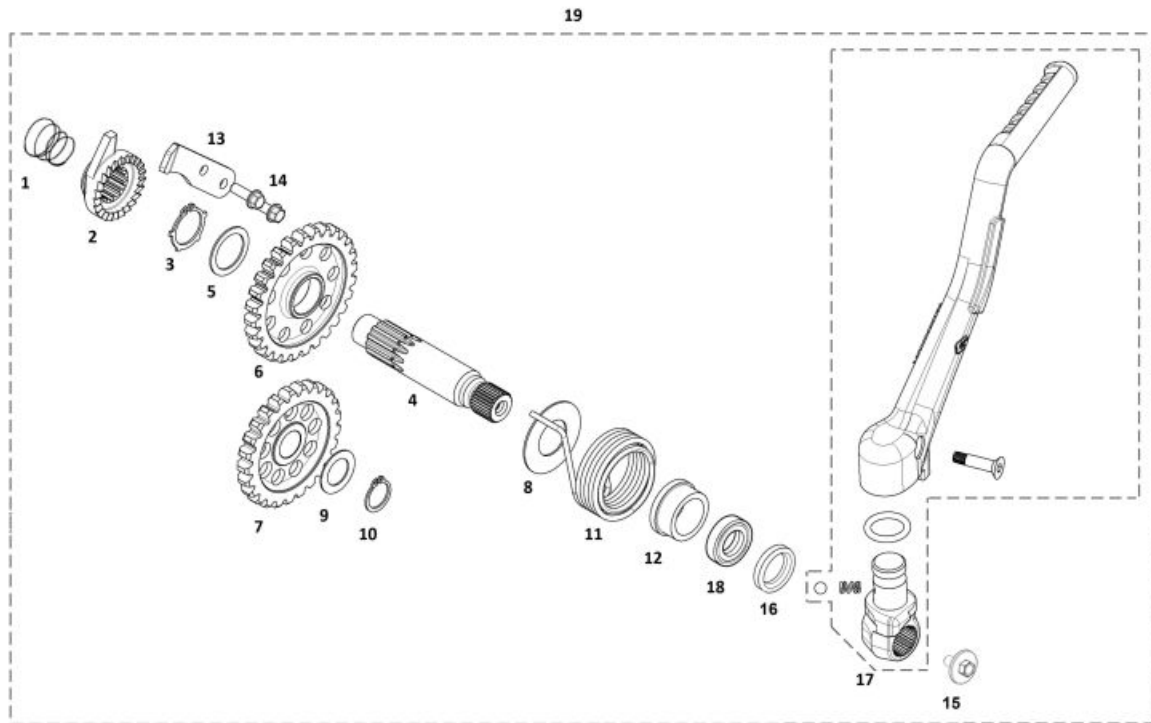
11C	<ul style="list-style-type: none"> ● AGUJA NOZH N427-OZH00 ME120690435 (u. 1)
11B	<ul style="list-style-type: none"> ● AGUJA KEIHIN N1EG (N427-1EG00) ME250290428 (u. 1)
11A	<ul style="list-style-type: none"> ● AGUJA KEIHIN N1EE (N427-1EE00) ME250290427 (u. 1)
11	<ul style="list-style-type: none"> ● AGUJA KEIHIN N1EF 0/005.150.9100 (u. 1)
12	<ul style="list-style-type: none"> ● CLIP AGUJA 16115-169-0040 ME25690021 (u. 1)
13	<ul style="list-style-type: none"> ● COMPUERTA Nº7 N502-66F00 0/005.150.9103 (u. 1)
14	<ul style="list-style-type: none"> ● FIJADOR AGUJA-CABLE 1101-804-2001 ME25690023 (u. 1)
15	<ul style="list-style-type: none"> ● TAP.COMPUERTA 1030-A92A-0000 ME25000243012 (u. 1)
16	<ul style="list-style-type: none"> ● JUNTA TORICA TAP.COMPUERTA 1202-882-6000 ME25000253012 (u. 1)
17	<ul style="list-style-type: none"> ● TORN.REGUL. ME25000263012 (u. 1)
18	<ul style="list-style-type: none"> ● MUELLE TORN.REGUL.AIRE 1300-416H-9900 ME25000273012 (u. 1)
19	<ul style="list-style-type: none"> ● MUELLE COMPUERTA 1290-A53-2000 ME25000283012 (u. 1)
20	<ul style="list-style-type: none"> ● CLIP NIVEL FLOTADOR 0405-019-1000 ME25690027 (u. 1)
21	<ul style="list-style-type: none"> ● TORN.CUBETA 93500-04014-1H ME25000293012 (u. 4)
22	<ul style="list-style-type: none"> ● TUBO RESPIRADERO 0803-868-0000 ME25000303012 (u. 2)
23	<ul style="list-style-type: none"> ● TUBO RESPIRADERO-2 0803-869-0000 ME25000313012 (u. 1)
24	<ul style="list-style-type: none"> ● EJE FLOTADOR W9525-25250 ME25690033 (u. 1)
25	<ul style="list-style-type: none"> ● CLIP TUBO RESPIRADERO W9535-35000 ME25690034 (u. 4)
26	<ul style="list-style-type: none"> ● AGUJA KEIHIN N1EF 0/005.150.9100 (u. 1)
27	<ul style="list-style-type: none"> ● TENSOR CABLE W9581-59250 ME25000323012 (u. 1)
28	<ul style="list-style-type: none"> ● TUERCA TENSOR CABLE 1793-130H-9900 ME25000333012 (u. 1)
29	<ul style="list-style-type: none"> ● TORN.REGUL.RALENTI 1034-853-2000 ME25690038 (u. 1)
30	<ul style="list-style-type: none"> ● MUELLE TORN.REG.1290-963-2000 ME25690039 (u. 1)
31	<ul style="list-style-type: none"> ● CASQ.MUELLE COMP.1118-929-7000 ME25690040 (u. 1)
32	<ul style="list-style-type: none"> ● TUBO VENTILACIÒN 0803-862-0100 ME25000343012 (u. 1)
33	<ul style="list-style-type: none"> ● TORN.TAP.COMPUERTA ME25000353012 (u. 2)
34	<ul style="list-style-type: none"> ● CLIP TUBO RESPIRADERO-2 W9535-25000 ME25000363012 (u. 1)
35	<ul style="list-style-type: none"> ● CTO.TOPE MANDO DE GAS CARBURADOR 2006 ME250690010 (u. 1)

Herramientas Motor



1	<ul style="list-style-type: none"> ● KIT RETENES EC-250/300 2010 ME906002510 (u. 1) 	
2	<ul style="list-style-type: none"> ● EXTRACTOR COJINETE CIGUEÑAL ME25950000 (u. 1) 	OBSOLETE
3	<ul style="list-style-type: none"> ● EXTRACTOR VOL.MAG.N.TRIAL 2002 MT280234045 (u. 1) 	
4	<ul style="list-style-type: none"> ● EXTRACTOR CARTER ME25950005 (u. 1) 	OBSOLETE

KIT KICK START LEVER EC



1	<ul style="list-style-type: none"> MUELLE TRINQUETE ARRANQUE ME25636006 (u. 1) 	OBSOLETE
	<ul style="list-style-type: none"> MUELLE TRINQUETE ARRANQUE 0/000.470.9109 (u. 1) 	
2	<ul style="list-style-type: none"> TRINQUETE ARRANQUE EC125cc 0/005.400.9110 (u. 1) 	OBSOLETE
	<ul style="list-style-type: none"> TRINQUETE ARRANQUE EC125cc ME120126004 (u. 1) 	
3	<ul style="list-style-type: none"> SEEGER DE 20 ARRANQUE=M03615000 ME25636052 (u. 1) 	OBSOLETE
	<ul style="list-style-type: none"> SEEGER D.20 DIN 471 0/000.300.9105 (u. 1) 	
4	<ul style="list-style-type: none"> EJE ARRANQUE EC-2001 0/005.400.9106 (u. 1) 	OBSOLETE
	<ul style="list-style-type: none"> EJE ARRANQUE EC-2001 ME250126003 (u. 1) 	
5	<ul style="list-style-type: none"> ARAN.TOPE 27X20.2X1 DESPL ARRAN. 0/000.440.9109 (u. 1) 	OBSOLETE
	<ul style="list-style-type: none"> ARAN.TOPE 27X20.2X1 DESPL ARRAN. ME25636000 (u. 1) 	
6	<ul style="list-style-type: none"> PIÑÓN ARRANQUE EC-2001 0/005.400.9105 (u. 1) 	OBSOLETE
	<ul style="list-style-type: none"> PIÑÓN ARRANQUE EC-2001 ME250126002 (u. 1) 	
7	<ul style="list-style-type: none"> PIÑÓN INT.ARRANQUE EC-2008 0/005.400.9108 (u. 1) 	OBSOLETE
	<ul style="list-style-type: none"> PIÑÓN INT.ARRANQUE EC-2008 ME880002508 (u. 1) 	
8	<ul style="list-style-type: none"> ARANDELA ARRANQUE 20X40X1 0/000.440.9111 (u. 1) 	OBSOLETE
	<ul style="list-style-type: none"> ARANDELA ARRANQUE 20X40X1 ME25636051 (u. 1) 	

9	<ul style="list-style-type: none"> VOLANDERA PIÑON ARRAN.24X15.15X0.8 0/000.440.9110 (u. 1) 	
	<ul style="list-style-type: none"> VOLANDERA PIÑON ARRAN.24X15.15X0.8 ME25636012 (u. 1) 	OBSOLETE
10	<ul style="list-style-type: none"> SEEGER D 15MM DIN 471 PIÑON INT.ARRANQUE M02623000 (u. 1) 	OBSOLETE
	<ul style="list-style-type: none"> SEEGER D.15MM DIN 471 0/000.300.9101 (u. 1) 	
11	<ul style="list-style-type: none"> MUELLE ARRANQUE ME86000GG-CAB-1 (u. 1) 	OBSOLETE
	<ul style="list-style-type: none"> MUELLE ARRANQUE 0/000.470.9110 (u. 1) 	
12	<ul style="list-style-type: none"> CASQ.CENTRADOR MUELLE ARRANQUE 0/000.480.9125 (u. 1) 	
	<ul style="list-style-type: none"> CASQ.CENTRADOR MUELLE ARRANQUE ME86500GG-CAB-1 (u. 1) 	OBSOLETE
13	<ul style="list-style-type: none"> PLATINA TRINQUETE ARRANQUE 0/000.980.9114 (u. 1) 	
	<ul style="list-style-type: none"> PLATINA TRINQUETE ARRANQUE ME25636005 (u. 1) 	OBSOLETE
14	<ul style="list-style-type: none"> TORN.ESP.+ARAND.5x15 ZI T0205015 (u. 2) 	OBSOLETE
	<ul style="list-style-type: none"> TORN.ESP.+ARAND.5x15 DIN 6921 GEOMET 10.9 0/000.460.9115 (u. 2) 	
15	<ul style="list-style-type: none"> TORNILLO ESPECIAL 6X11 10.9 T0226011 (u. 1) 	OBSOLETE
	<ul style="list-style-type: none"> TORNILLO ESPECIAL 6X11 GEOMET 10.9 0/000.460.9134 (u. 1) 	
16	<ul style="list-style-type: none"> CASQ.TOPE PEDAL ARRANQUE EC 2014 0/000.480.9126 (u. 1) 	
	<ul style="list-style-type: none"> CASQ.TOPE PEDAL ARRANQUE EC 2014 ME89025GG-CAB-1 (u. 1) 	OBSOLETE
17	<ul style="list-style-type: none"> CTO.PEDAL ARRANQUE ME89000CT2511 (u. 1) 	OBSOLETE
	<ul style="list-style-type: none"> PEDAL ARRANQUE Y MUÑEQUILLA EC 250 4T 20 MFS890002510 (u. 1) 	OBSOLETE
	<ul style="list-style-type: none"> CTO.PEDAL ARRANQUE 0/005.430.9101 (u. 1) 	
18	<ul style="list-style-type: none"> RETEN PEDAL ARRAN.20X30X7 0/000.890.9105 (u. 1) 	
	<ul style="list-style-type: none"> RETEN PEDAL ARRAN.20X30X7 ME25632021 (u. 1) 	OBSOLETE
19	<ul style="list-style-type: none"> KIT PEDAL ARRANQUE EC ME89001CT-CTR-1 (u. 1) 	