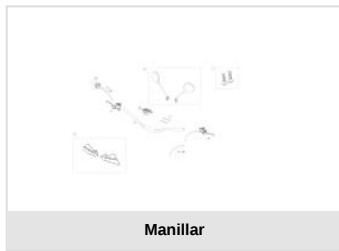


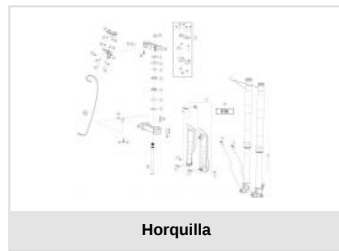


MR PRO 300 RIEJU MR 300 PRO NEGRA 2020

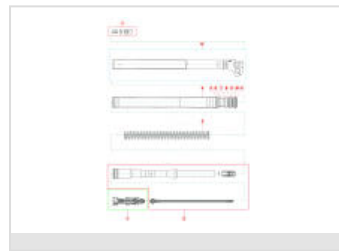
Exploded



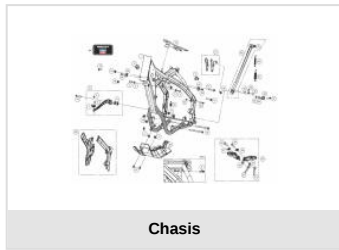
Manillar



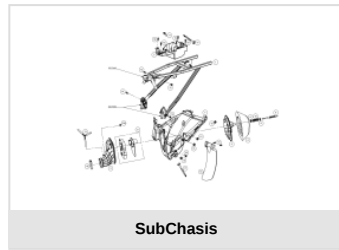
Horquilla



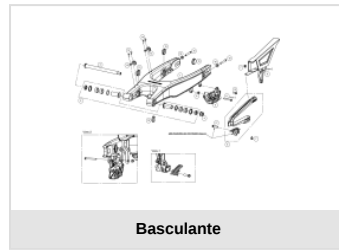
Herramientas KYB



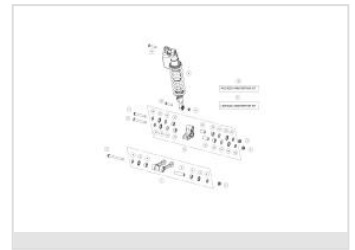
Chasis



SubChasis



Basculante



Amortiguador



Radiador



Parte Eléctrica



Guardabarros delantero



Faro Delantero



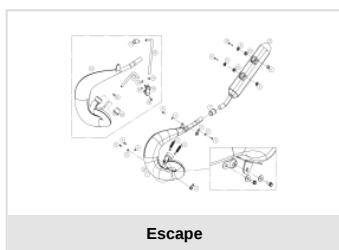
Depósito



Plástica Trasera



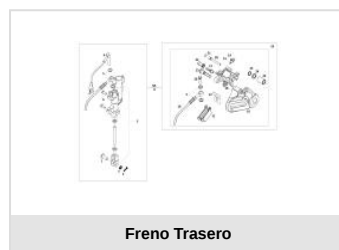
Adhesivos



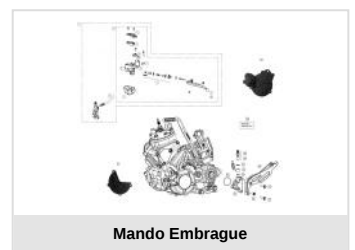
Escape



Freno Delantero



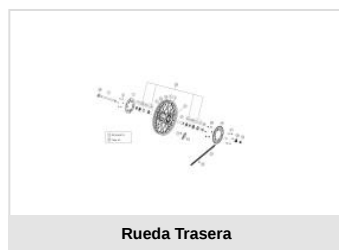
Freno Trasero



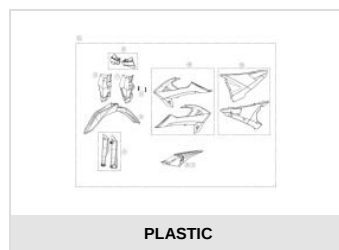
Mando Embrague



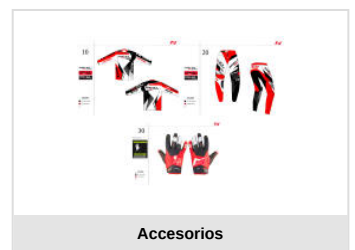
Rueda Delantera



Rueda Trasera

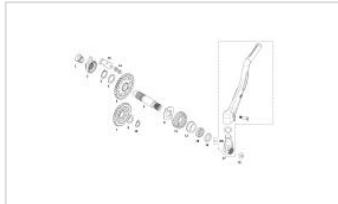


PLASTIC

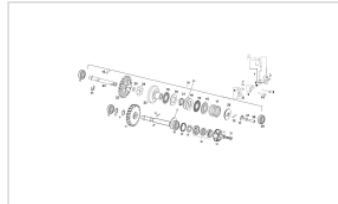


Accesorios

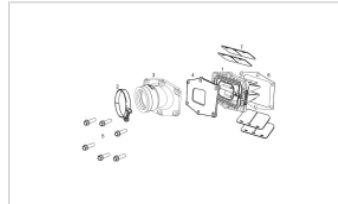
XC 2T 2019 - Engine



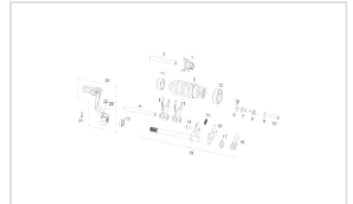
Palanca de arranque



Bomba de agua



Válvula de láminas



Eje de Cambio



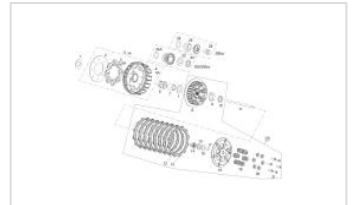
Cárter de Motor



Generador



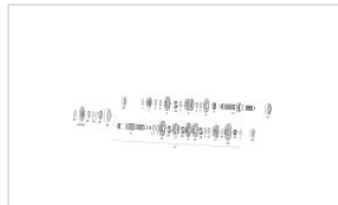
Cigüeñal



Embrague



Cilindro



Cambio

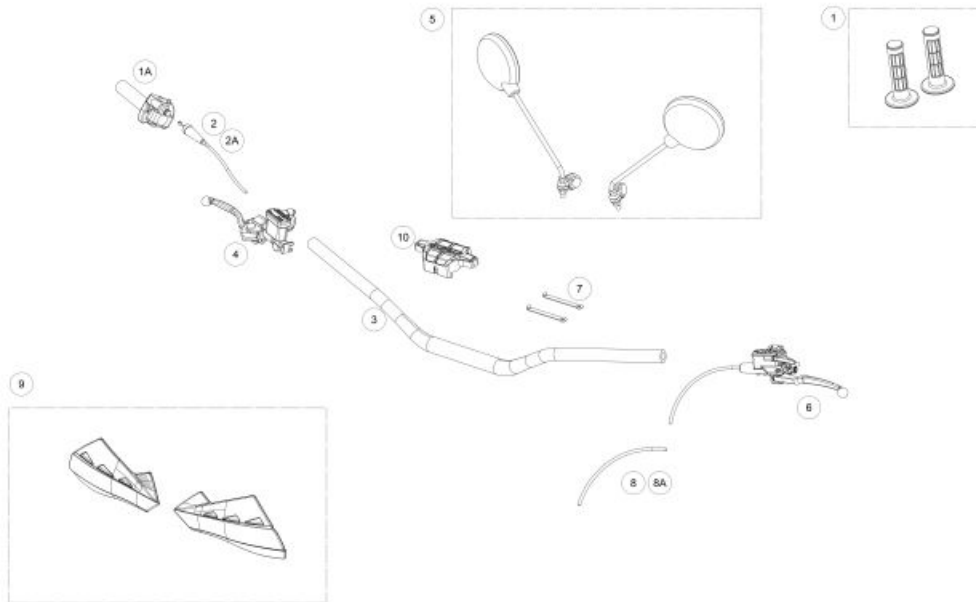


Carburador



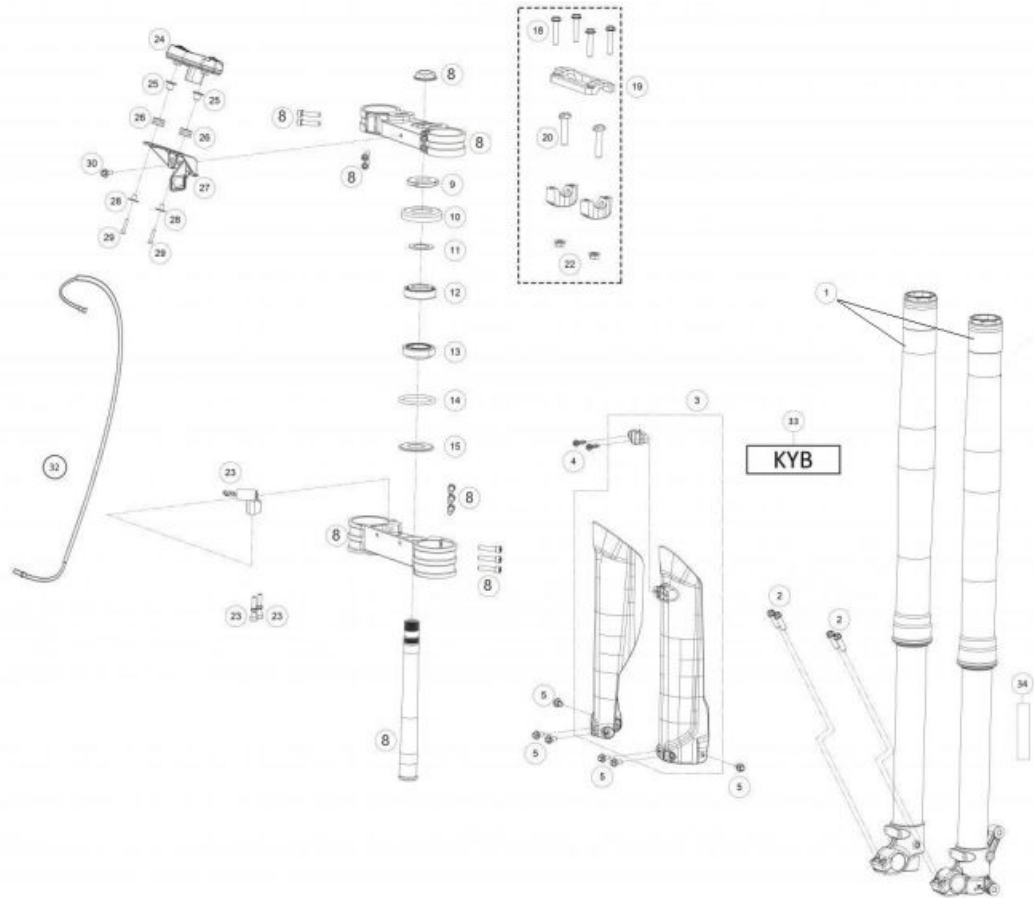
Herramientas Motor

Manillar



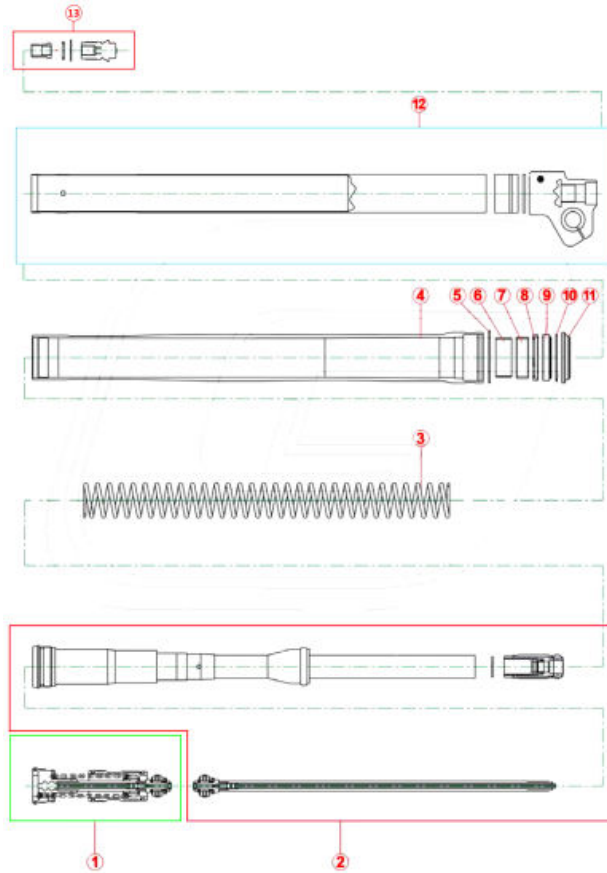
1	<ul style="list-style-type: none"> JUEGO EMPUÑADURAS RENTHAL (G087A)GRIS OSCURO 0/000.530.9103 (u. 1)
1A	<ul style="list-style-type: none"> PUÑO GAS TT (3291.03.00-1) 0/000.530.9100 (u. 1)
2	<ul style="list-style-type: none"> CABLE DE GAS ENDURO 2018 0/000.550.9101 (u. 1)
2A	<ul style="list-style-type: none"> CABLE DE GAS ENDURO 2018 DE HOMOLOGACION 0/000.550.9102 (u. 1)
3	<ul style="list-style-type: none"> MANILLAR RENTHAL RACING 2010 0/000.170.9102 (u. 1)
4	<ul style="list-style-type: none"> BOMBA FRENO DEL.NISSIN=BC25922008 BC25922008/2 (u. 1)
5	<ul style="list-style-type: none"> CTO.ESPEJO RETROVISOR(REG 81) 0/000.990.9100 (u. 1)
6	<ul style="list-style-type: none"> CTO.EMBR.EC MAGURA 9.5 DOT-4 (167) 0/000.830.9101 (u. 1)
7	<ul style="list-style-type: none"> CLAMP INSTALLATION 0/000.680.0060 (u. 2) GOMA SUJ.CABLEADOS 0/000.360.9110 (u. 2)
8A	<ul style="list-style-type: none"> CABLE STARTER ENDURO 2018 0/000.550.9100 (u. 1)
9	<ul style="list-style-type: none"> CTO. PARAMANOS POLISPORT BL.S BE90000223012 (u. 1)
10	<ul style="list-style-type: none"> ESPUMA MANILLAR MR 2020 0/000.220.9105 (u. 1)

Horquilla



1	<ul style="list-style-type: none"> ● CJTO. SUSPENSION MR PRO 0/K00.130.9101 (u. 1)
2	<ul style="list-style-type: none"> ● TORN.ESP.8X25 GEOMET 10.9 0/000.460.9137 (u. 4)
3	<ul style="list-style-type: none"> ● JUEGO PROT.HORQ. NEGRO MR 0/000.220.9118 (u. 1)
4	<ul style="list-style-type: none"> ● TORNILLO DEPÓSITO - SILLÍN Ø6x23 (EJOT ref. 05100519) T0806023 (u. 2) ● TORNILLO ESPECIAL ROSCA PLASTICO CABOTA HEXAGONAL CON ARANDELA 6X20 T0806020 (u. 2)
5	<ul style="list-style-type: none"> ● TORN.ESP.6X8 DRACOMET 0/000.460.9162 (u. 6)
6	<ul style="list-style-type: none"> ● TUERCA DIR.SUP. 0/000.340.9102 (u. 1)
7	<ul style="list-style-type: none"> ● ALLEN 7X30 DIN 912 ZINC 12.9 0/000.460.9151 (u. 10)
8	<ul style="list-style-type: none"> ● BRIDA SUPERIOR MANILLAR ANODIZADO NEGRO 0/000.350.9110 (u. 1)
9	<ul style="list-style-type: none"> ● TUERCA DIR.INFE. 0/000.340.9101 (u. 1)
10	<ul style="list-style-type: none"> ● GUARDAPOLVO COJ.DIR.TT NEGRO 0/000.200.9100 (u. 1)
11	<ul style="list-style-type: none"> ● ARANDELA DIR.INF. 0/000.440.9101 (u. 1)
12	<ul style="list-style-type: none"> ● COJINETE DIR.30205A 0/000.960.9101 (u. 1)
13	<ul style="list-style-type: none"> ● COJINETE DIR.INF.320/28 0/000.960.9100 (u. 1)

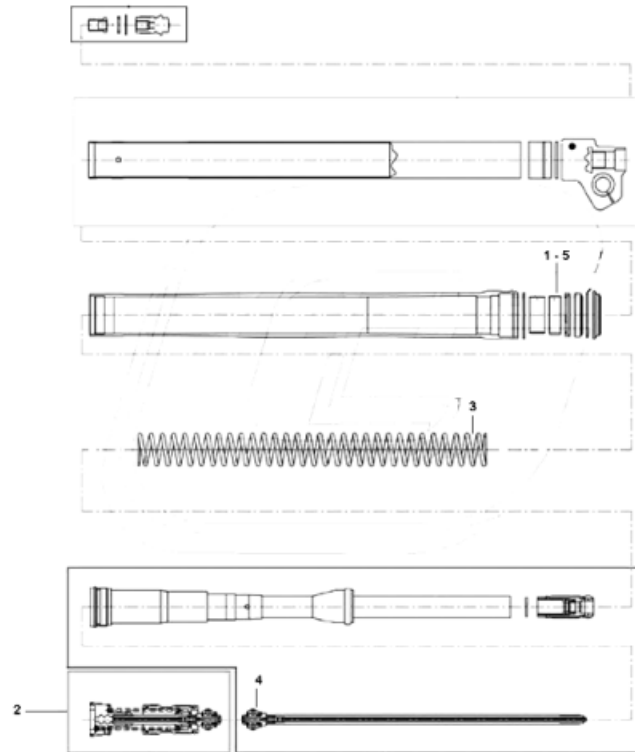
14	<ul style="list-style-type: none"> TORICA DIR.50X5 0/000.490.9102 (u. 1)
15	<ul style="list-style-type: none"> CAZOLETA DIR.D28 0/000.200.9101 (u. 1)
16	<ul style="list-style-type: none"> BRIDA INFERIOR MANILLAR ANODIZADO NEGRO 0/000.350.9109 (u. 1)
17	<ul style="list-style-type: none"> EJE DIRECCION 0/000.190.9100 (u. 1)
18	<ul style="list-style-type: none"> TORN.ESP.8X40 GEOMET 10.9 0/000.460.9140 (u. 4)
19	<ul style="list-style-type: none"> CTO. BRIDAS MANILLAR EC 2019 BE25700CT-CSK-1 (u. 1)
20	<ul style="list-style-type: none"> TORN.ESP.10X45 BRIDA INF. G5 12.9 0/000.460.9113 (u. 2)
22	<ul style="list-style-type: none"> TUERCA AUTOB.M10 PASO 1.50 ARAND. DIN 6926 ZINC 8 0/000.340.9124 (u. 2)
23	<ul style="list-style-type: none"> KIT BLOQUEO DIRECCION ENDURO 2018 BE15025CT-CLJ-1 (u. 1)
24	<ul style="list-style-type: none"> CTO.MULTIFUNCION "EVEREST" EC 2018 0/001.000.9100 (u. 1)
25	<ul style="list-style-type: none"> CASQ.ALUMINIO SILENBLOCK FIJ.RAD. 0/000.480.9116 (u. 2)
26	<ul style="list-style-type: none"> GOMAS RAD.A CHASIS =BE25632003 0/000.360.9112 (u. 2)
	<ul style="list-style-type: none"> RUBBER 0/000.360.4002 (u. 2)
	<ul style="list-style-type: none"> RUBBER 0/000.360.4002 (u. 2)
27	<ul style="list-style-type: none"> SOPORTE MULTIFUNCION 0/000.980.9108 (u. 1)
28	<ul style="list-style-type: none"> CASQ.GOMA MULTIFUNION ENDURO 2018 0/000.480.9118 (u. 2)
29	<ul style="list-style-type: none"> ALLEN 4X16 DIN 912 INOX A2 0/000.460.9143 (u. 2)
30	<ul style="list-style-type: none"> TORN.ESP.6x7 DRACOMET 0/000.460.9161 (u. 1)
32	<ul style="list-style-type: none"> SENSOR CUENTA KM ENDURO 0/001.010.9100 (u. 1)
33	<ul style="list-style-type: none"> KIT ADH.BARRAS KAYABA ENDURO 2018 BE95285GG-CLJ-1 (u. 1)
34	<ul style="list-style-type: none"> CATADRIOPTICO ADHESIVO (8159) 0/000.630.9102 (u. 2)



1	<ul style="list-style-type: none"> ● CTO.TAPON CARTUCHO SUSPENSION KAYABA ENDURO BE20240CT-CLJ-1 (u. 1)
2	<ul style="list-style-type: none"> ● CTO.HIDRAULICO SUSPENSION KAYABA ENDURO BE20220GG-CLJ-1 (u. 1)
3A	<ul style="list-style-type: none"> ● CTO.MUELLES SUSPENSION 4.0 KAYABA ENDURO BE20170CT-CLJ-1 (u. 1)
3B	<ul style="list-style-type: none"> ● CTO.MUELLES SUSPENSION 4.2 KAYABA ENDURO BE20171CT-CLJ-1 (u. 1)
3C	<ul style="list-style-type: none"> ● CTO.MUELLES SUSPENSION 4.4 KAYABA ENDURO BE20172CT-CLJ-1 (u. 1)
4	<ul style="list-style-type: none"> ● CTO.BOTELLA SUSPENSION KAYABA ENDURO BE20100CT-CLJ-1 (u. 1)
5	<ul style="list-style-type: none"> ● ANILLO RETENCION SUSPENSION KAYABA ENDURO BE20145GG-CLJ-1 (u. 1)
6	<ul style="list-style-type: none"> ● GLACIER BOTELLA SUSPENSION KAYABA ENDURO BE20150GG-CLJ-1 (u. 1)
7	<ul style="list-style-type: none"> ● GLACIER BARRA SUSPENSION KAYABA ENDURO BE20151GG-CLJ-1 (u. 1)
8	<ul style="list-style-type: none"> ● ARANDELA SUSPENSION KAYABA ENDURO BE20186GG-CLJ-1 (u. 1)
9	<ul style="list-style-type: none"> ● CTO.RETENES SUSPENSION KAYABA ENDURO BE20140CT-CLJ-1 (u. 1)
10	<ul style="list-style-type: none"> ● CTO. CIRCLIP SUSPENSION KAYABA ENDURO BE20135GG-CLJ-1 (u. 1)
11	<ul style="list-style-type: none"> ● CTO.GUARDAPOLVO SUSPENSION KAYABA ENDURO BE20130CT-CLJ-1 (u. 1)
12A	<ul style="list-style-type: none"> ● CTO.BARRA SUSPENSION DERECHA KAYABA ENDURO BE20110CT-CLJ-1 (u. 1)

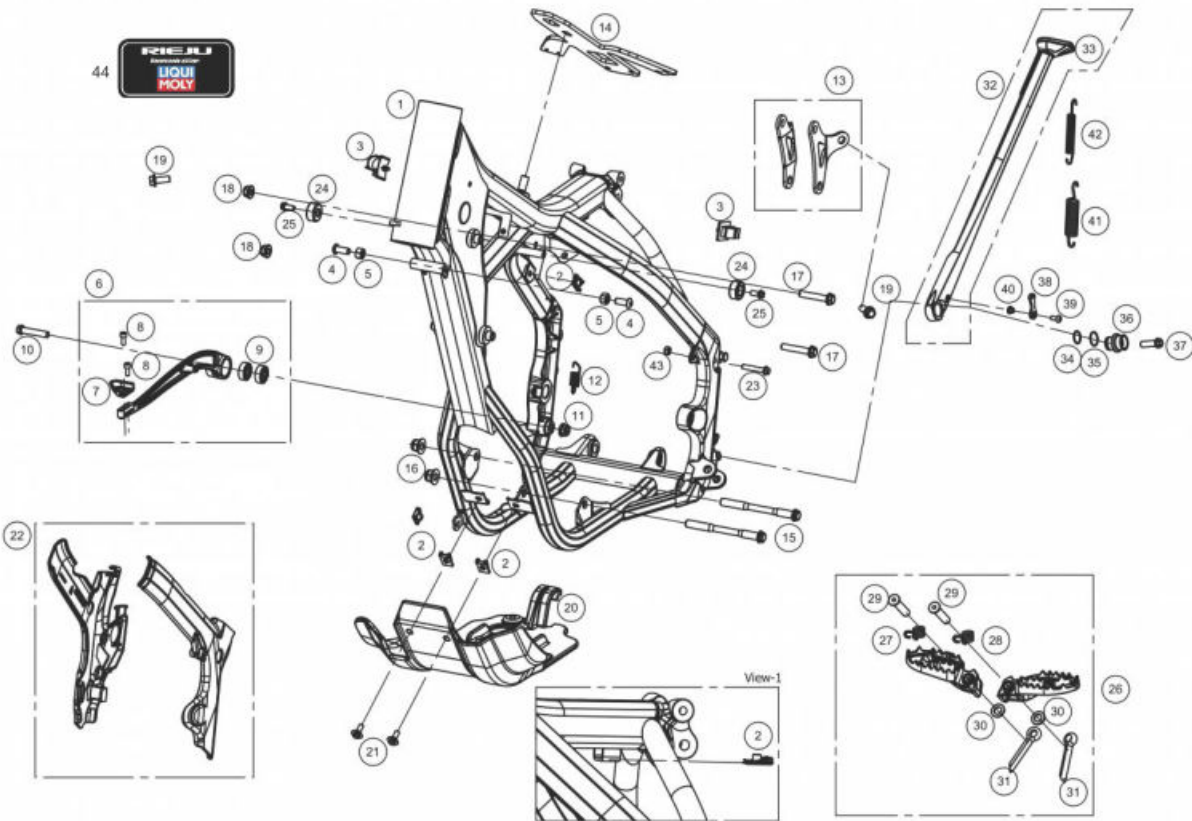
12B	<ul style="list-style-type: none">● CTO.BARRA SUSPENSION IZQUIERDA KAYABA ENDURO BE20115CT-CLJ-1 (u. 1)
13	<ul style="list-style-type: none">● TAPON REGULACION EXTENSION SUSPENSION KAYABA ENDURO BE20120GG-CLJ-1 (u. 1)

Herramientas KYB



- | | |
|---|--|
| 1 | <ul style="list-style-type: none"> UTIL RETEN SUSPENSION KAYABA ENDURO
BE20225GG-CLJ-1 (u. 1) |
| 2 | <ul style="list-style-type: none"> LLAVE TAPON SUSPENSION KAYABA ENDURO
BE21105GG-CLJ-1 (u. 1) |
| 3 | <ul style="list-style-type: none"> UTIL SOPORTE PISTON AJUSTE SUSPENSION KAYABA ENDURO
BE20230GG-CLJ-1 (u. 1) |
| 4 | <ul style="list-style-type: none"> LLAVE TAPON CARTUCHO SUSPENSION KAYABA ENDURO
BE21106GG-CLJ-1 (u. 1) |
| 5 | <ul style="list-style-type: none"> UTIL INSERTADOR RETEN SUSPENSION KAYABA ENDURO
BE20235GG-CLJ-1 (u. 1) |

Chasis

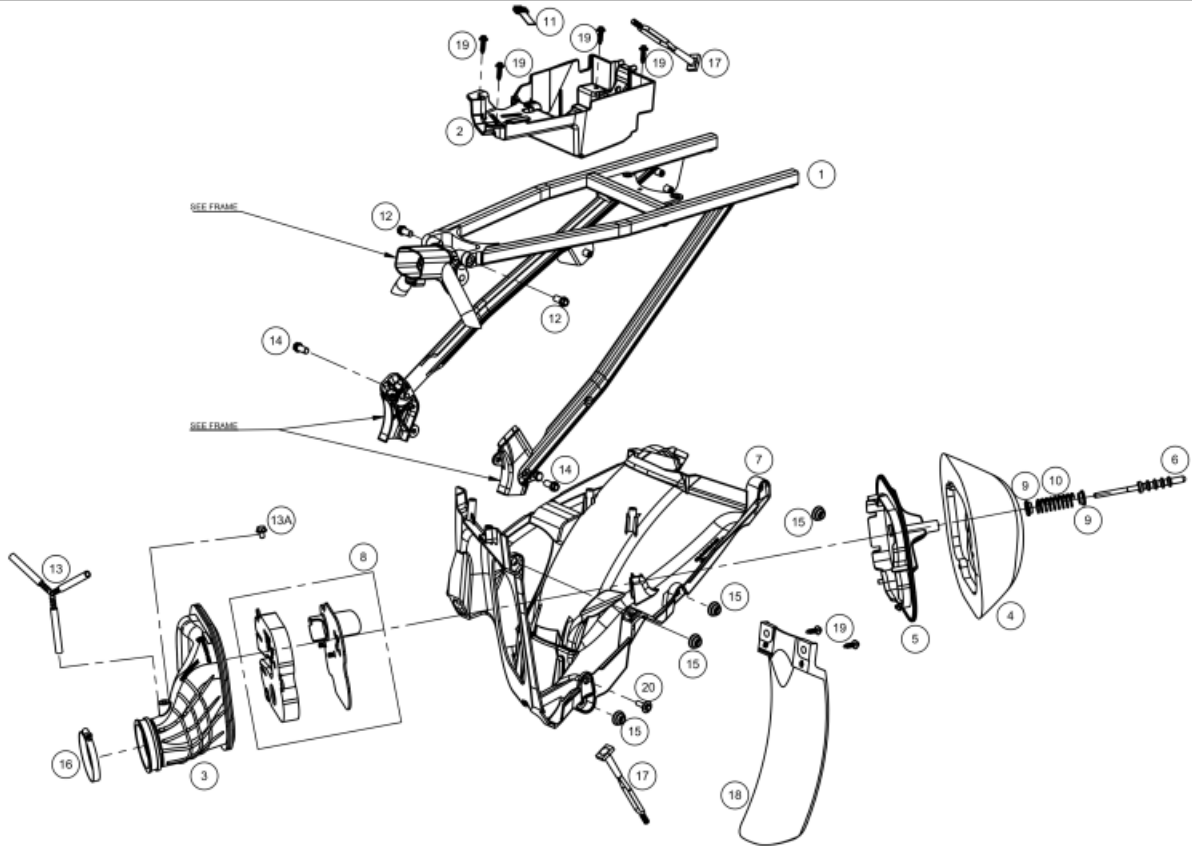


1	<ul style="list-style-type: none"> ● CHASIS EC 250 300 2T 2018 NEGRO 0/000.010.9100 (u. 1) 	
2	<ul style="list-style-type: none"> ● TUERCA NUT 956 RAPIDA M-6 HRC 40/48 0/000.340.9120 (u. 5) 	
3	<ul style="list-style-type: none"> ● CLIP (1E3J) SUJECIÓN INSTALACIÓN ENDURO 2018 0/000.630.9100 (u. 2) 	
4	<ul style="list-style-type: none"> ● ULS 8x25 ISO 7380-1 ZN 10.9 0/000.460.9157 (u. 2) 	
5	<ul style="list-style-type: none"> ● TUERCA tope DIR.M8x13x8 ISO 4033 ZINC 0/000.340.9109 (u. 2) 	
6	<ul style="list-style-type: none"> ● PEDAL FRENO ENDURO 2018 0/000.730.9100 (u. 1) 	
7	<ul style="list-style-type: none"> ● PUNTERA PEDAL FRENO BE130102510 (u. 1) 	
8	<ul style="list-style-type: none"> ● ALLEN 5x12 T0305012 (u. 2) 	OBSOLETE
9	<ul style="list-style-type: none"> ● RODAMIENTO 628-2RS BE13025GG-CLJ-1 (u. 2) 	
10	<ul style="list-style-type: none"> ● TORN.ESP.8X40 GEOMET 10.9 0/000.460.9140 (u. 1) 	
11	<ul style="list-style-type: none"> ● TUERCA AUTOBL + ARANDELA M8 ZINC 0/000.340.9119 (u. 1) 	
12	<ul style="list-style-type: none"> ● MUELLE PEDAL FRENO 2014 0/000.470.9100 (u. 1) 	
13A	<ul style="list-style-type: none"> ● CTO.TIRANTE CULATA ENDURO 200 BE11100CT-CLP-1 (u. 1) 	
13	<ul style="list-style-type: none"> ● CTO.TIRANTE CULATA ENDURO 250 300 2018 BE11100CT-CLJ-1 (u. 1) 	
14	<ul style="list-style-type: none"> ● GOMA PROT.DEP.GASOL.ENDURO 2018 0/000.220.9116 (u. 1) 	

15	<ul style="list-style-type: none"> TORNILLO MOTOR M10x113 GEOMET 10.9 0/000.460.9132 (u. 2)
16	<ul style="list-style-type: none"> TUERCA AUTOB.M10 PASO 1.25 ZINC 8 0/000.340.9123 (u. 2)
17	<ul style="list-style-type: none"> TORNILLO ESPECIAL 8X50 GEOMET 10.9 0/000.460.9141 (u. 1)
18	<ul style="list-style-type: none"> TUERCA AUTOBL + ARANDELA M8 ZINC 0/000.340.9119 (u. 2)
19	<ul style="list-style-type: none"> TORNILLO ESPECIAL 8X20 GEOMET 10.9 0/000.460.9136 (u. 1)
20	<ul style="list-style-type: none"> PROT.CARTER ENDURO 2018 0/000.220.9100 (u. 1)
21	<ul style="list-style-type: none"> TORNILLO ESPECIAL ROSCA PLASTICO CABOTA HEXAGONAL 6X12 DRACOMET 0/000.460.9101 (u. 2)
22	<ul style="list-style-type: none"> KIT PROTECTORES CHASIS NEGRO MR 0/K00.570.9100 (u. 1)
23	<ul style="list-style-type: none"> TORN.ESP.M6X35 DIN 6921 GEOMET 0/000.460.9124 (u. 1)
24	<ul style="list-style-type: none"> SILENTBLOCK+ARANDELA DEP.GASOL. 0/000.360.9106 (u. 2)
25	<ul style="list-style-type: none"> EXAG+ARANDELA 6x14 DIN 6921 0/000.460.9118 (u. 2)
26	<ul style="list-style-type: none"> CTO. ESTRIBOS EC 2018 BE14005CT-CLJ-1 (u. 1)
27	<ul style="list-style-type: none"> MUELLE ESTRIBO DCH. 0/000.470.9101 (u. 1)
28	<ul style="list-style-type: none"> MUELLE ESTRIBO IZQ. 0/000.470.9102 (u. 1)
29	<ul style="list-style-type: none"> CASQUILLO PASADOR ESTRIBOS 0/000.480.9101 (u. 2)
30	<ul style="list-style-type: none"> ARANDELA PLANA 10x20x2 DIN 125A ZINC 0/000.440.9115 (u. 2)
31	<ul style="list-style-type: none"> PASADOR CLAVIJA DIN 94 0/000.840.9100 (u. 2)
32	<ul style="list-style-type: none"> CTO.CABALLETE ENDURO 2018 BE14200CT-CLJ-1 (u. 1)
33	<ul style="list-style-type: none"> BASE DEL CABALLETE ENDURO 2018 0/000.570.9100 (u. 1) CTO. CABALLETE ECRANGER BE14200CT-CTR-1 (u. 1)
34	<ul style="list-style-type: none"> TORICA CASQUILLO CABALLETE 15x1,5 0/000.490.9100 (u. 1)
35	<ul style="list-style-type: none"> TORICA CASQUILLO CABALLETE 17x1,5 0/000.490.9101 (u. 1)
36	<ul style="list-style-type: none"> CASQ.SUJ.CABALLETE ENDURO 2018 0/000.480.9102 (u. 1)
37	<ul style="list-style-type: none"> TORN.ESP.8X25 GEOMET 10.9 0/000.460.9137 (u. 1)
38	<ul style="list-style-type: none"> LLEVA CABALLETE ENDURO 2018 0/000.830.9100 (u. 1)
39	<ul style="list-style-type: none"> ULS 5X16 ISO 7380-1 ZINC 12.9 0/000.460.9155 (u. 1)
40	<ul style="list-style-type: none"> CASQUILLO LLEVA CABALLETE ENDURO 0/000.480.9103 (u. 1)
41	<ul style="list-style-type: none"> MUELLE EXTERIOR CABALLETE ENDURO 2018 0/000.470.9103 (u. 1)

42	<ul style="list-style-type: none">● MUELLE INTERIOR CABALLETE ENDURO 2018 0/000.470.9104 (u. 1)
43	<ul style="list-style-type: none">● TUERCA AUTOBL.BAJA M-6 DIN 985 ZN CR3 6 0/000.340.9113 (u. 1)
44	<ul style="list-style-type: none">● CALCA RECOMENDACIÓN ACEITE 0/000.390.0000 (u. 1)

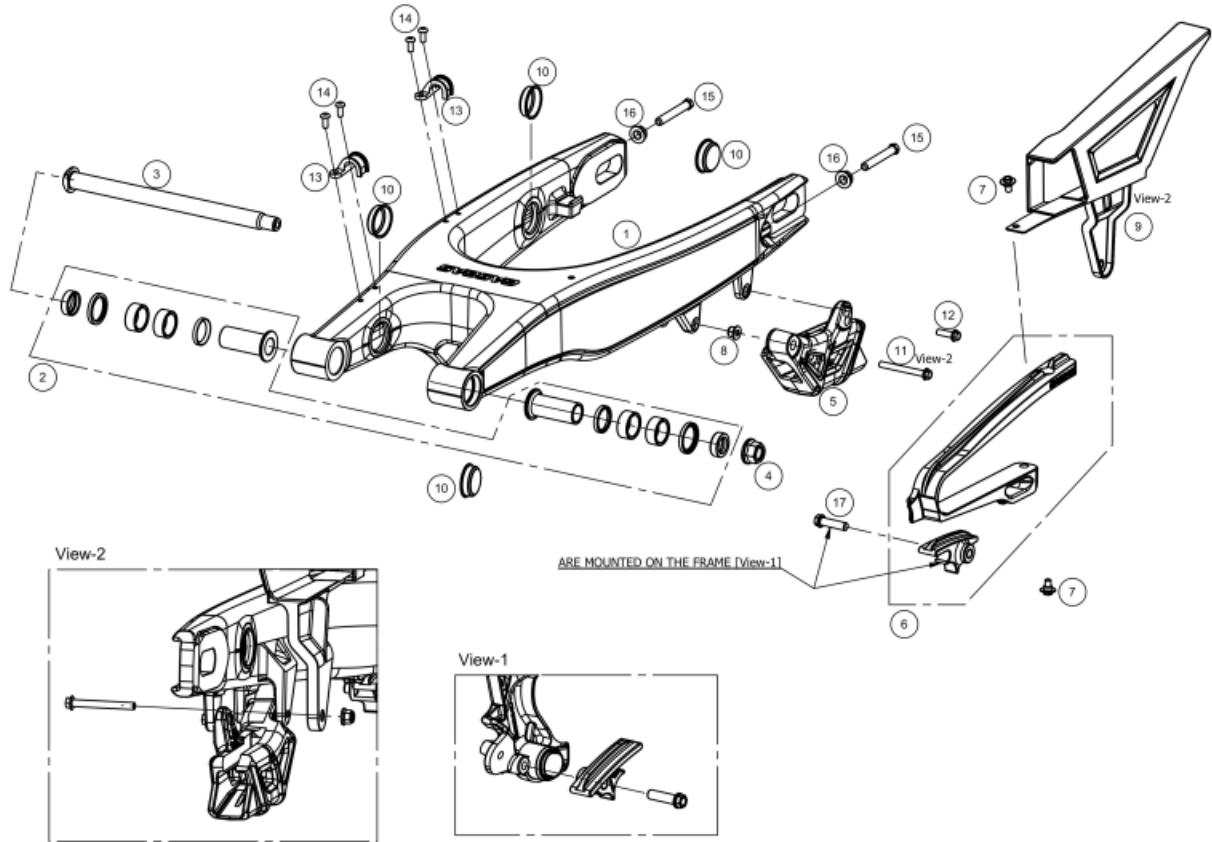
SubChasis



1	<ul style="list-style-type: none"> ● SUBCHASIS EC 2018 0/000.010.9102 (u. 1)
2	<ul style="list-style-type: none"> ● SOP.BATERIA -CDI-RELE ARRANQUE EC 2018 0/000.570.9101 (u. 1)
3	<ul style="list-style-type: none"> ● TUBERA C.FILTRO.EC 2018 0/000.360.9113 (u. 1)
4	<ul style="list-style-type: none"> ● FILTRO AIRE FWF 0/001.070.9101 (u. 1)
5	<ul style="list-style-type: none"> ● ARAÑA FILTRO EC 2018 0/000.570.9104 (u. 1)
6	<ul style="list-style-type: none"> ● VARILLA FILTRO AIRE EC-2007 BE250728003 (u. 1)
7	<ul style="list-style-type: none"> ● C.FILTRO.ENDURO 2018 0/000.570.9103 (u. 1)
8	<ul style="list-style-type: none"> ● KIT RESTRICTOR FILTRO DE AIRE BE79800CT-CLJ-1 (u. 1)
9	<ul style="list-style-type: none"> ● ARAND.NYLON TOPE MUELLE C.FILTRO.EC-2007 0/000.440.9100 (u. 2)
10	<ul style="list-style-type: none"> ● MUELLE VARILLA C.FILTRO.EC-2007 0/000.470.9105 (u. 1)
11	<ul style="list-style-type: none"> ● GOMA SUJ.CDI 0/000.360.9101 (u. 1)
12	<ul style="list-style-type: none"> ● TORN.ESP.8X25 GEOMET 10.9 0/000.460.9137 (u. 2)
13A	<ul style="list-style-type: none"> ● TORN.ESP.DE PLASTICO NG.M6X12 0/000.460.9109 (u. 1)
13	<ul style="list-style-type: none"> ● CTO.TUBO DESVAPORIZADOR BLOW BY ENDURO 2018 0/000.290.9106 (u. 1)

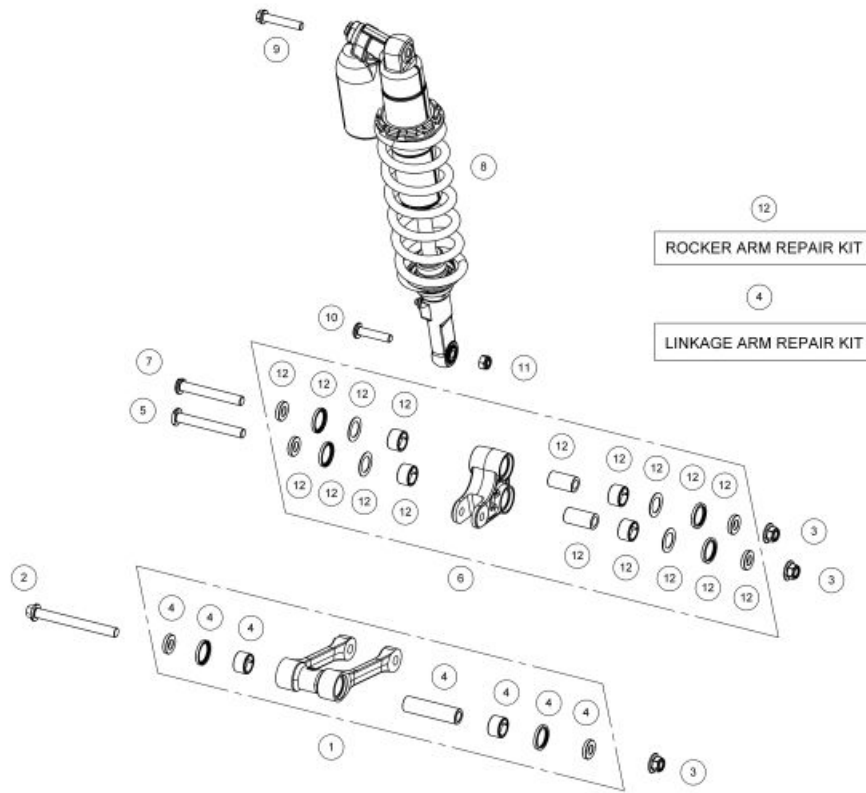
14	<ul style="list-style-type: none"> ● TORN.ESP.8X16 GEOMET 10.9 0/000.460.9135 (u. 2)
15	<ul style="list-style-type: none"> ● SILENTBLOCK PORTANUMS.IZQ.ENDURO 2018 0/000.360.9109 (u. 4)
16	<ul style="list-style-type: none"> ● ABRAZ.50-70/9 W2 FILTRO AIRE/CARB. INOX FE 0/000.680.9101 (u. 1)
17	<ul style="list-style-type: none"> ● GOMA CABALLETE EC 2015 0/000.360.9100 (u. 2)
18	<ul style="list-style-type: none"> ● PROT.AMORT.EC 2018 0/000.220.9117 (u. 1)
19	<ul style="list-style-type: none"> ● TORNILLO DEPÓSITO - SILLÍN Ø6x23 (EJOT ref. 05100519) T0806023 (u. 6)
	<ul style="list-style-type: none"> ● TORNILLO ESPECIAL ROSCA PLASTICO CABOTA HEXAGONAL CON ARANDELA 6X20 T0806020 (u. 6)
20	<ul style="list-style-type: none"> ● TORN.ESP.6X16 DRACOMET 0/000.460.9100 (u. 1)
21	<ul style="list-style-type: none"> ● DESVAP.CARTER D.3=ME25610012 0/000.630.9105 (u. 1)

Basculante



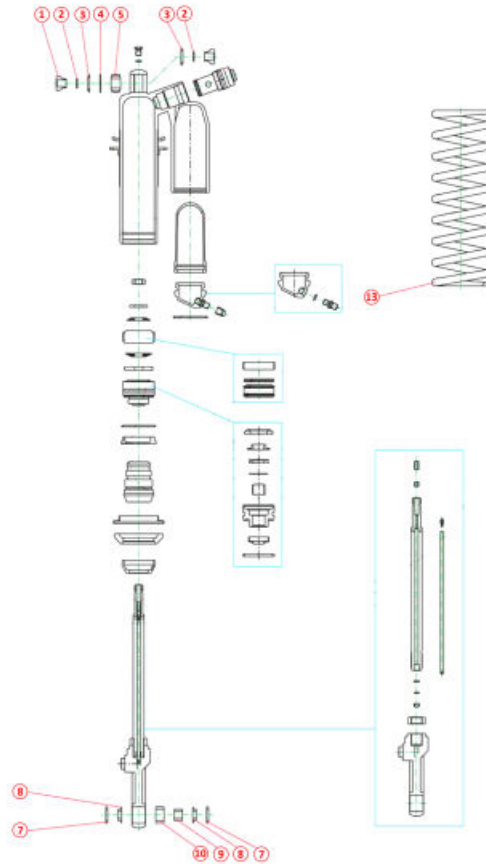
2	<ul style="list-style-type: none"> ● KIT REPARACION BASCULANTE BE41000CT-CLJ-1 (u. 1)
3	<ul style="list-style-type: none"> ● EJE BASCULANTE ENDURO 2018 0/000.190.9101 (u. 1)
4	<ul style="list-style-type: none"> ● TUERCA BASC.TT 49650 0/000.340.9103 (u. 1)
5	<ul style="list-style-type: none"> ● GUIA CADENA (8435900001) 0/000.710.9100 (u. 1)
6	<ul style="list-style-type: none"> ● KIT PATIN CADENA 3 COMP. BE43015CT-CLJ-1 (u. 1)
7	<ul style="list-style-type: none"> ● TORN.ESP.6x7 DRACOMET 0/000.460.9161 (u. 2)
8	<ul style="list-style-type: none"> ● TUERCA AUTOBLOC. M-6 C/ARAND DIN-6926 ZINC 0/000.340.9117 (u. 1)
9	<ul style="list-style-type: none"> ● PROT.CADENA HOMOL.EC 2018 0/000.220.9107 (u. 1)
10	<ul style="list-style-type: none"> ● TAP.BASCUL.EC 2018 (465658) 0/000.410.9100 (u. 4)
11	<ul style="list-style-type: none"> ● TORN.ESP.6X55 DIN 6921 DRACOMET 8.8 0/000.460.9127 (u. 1)
12	<ul style="list-style-type: none"> ● TORN.ESP.6x20 DIN 6921 GEOMET 10.9 0/000.460.9120 (u. 1)
13	<ul style="list-style-type: none"> ● SUJ.LATIG.SOBRE BASC. 0/000.630.9101 (u. 2)
14	<ul style="list-style-type: none"> ● TORN.ESP.+ARAND.5x15 DIN 6921 GEOMET 10.9 0/000.460.9115 (u. 4)
15	<ul style="list-style-type: none"> ● TORN.TENSOR RUEDA FSR450-2007 0/000.460.9105 (u. 2)
16	<ul style="list-style-type: none"> ● TUERCA ESTRIADA M-8 DIN 6927 ACERO 8 0/000.340.9118 (u. 2)

- | | |
|----|---|
| 17 | ● TORNILLO ESPECIAL 8X35 GEOMET 10.9
0/000.460.9139 (u. 1) |
|----|---|



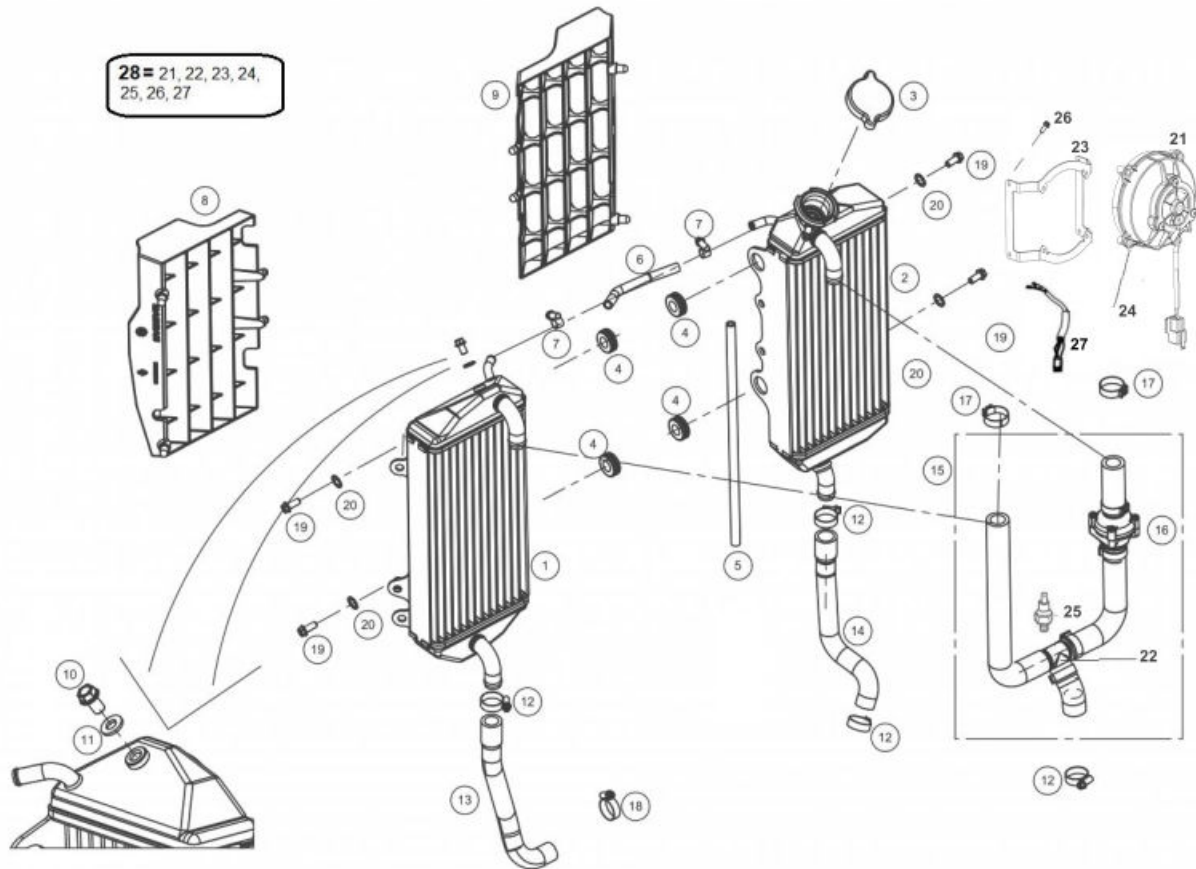
1	<ul style="list-style-type: none"> CTO.BIELETA ENDURO 2018 BE34000CT-CLJ-1 (u. 1) 	
2	<ul style="list-style-type: none"> TORN.EJE BIELETA CHASIS 22X128 0/000.460.9102 (u. 1) 	
3	<ul style="list-style-type: none"> TUERCA M12x1.25 DIN 6923 ZINC 0/000.340.9115 (u. 3) 	
4	<ul style="list-style-type: none"> KIT REPARACION BIELETA ENDURO 2018 BE32035CT-CLJ-1 (u. 1) 	
5	<ul style="list-style-type: none"> TORN.EJE BIELETA BALANCIN 22X99.5 0/000.460.9103 (u. 1) 	
6	<ul style="list-style-type: none"> CTO. BALANCIN ENDURO 2018 BE32000CT-CLJ-1 (u. 1) 	
7	<ul style="list-style-type: none"> TORN.EJE BALANCIN BASCUL.22X92.5 0/000.460.9104 (u. 1) 	
8	<ul style="list-style-type: none"> AMORTIGUADOR EC 2018 KYB 0/000.180.9100 (u. 1) 	
9	<ul style="list-style-type: none"> PERNO 10X55 10.9 GEOMET ISO 898-1 T0210055 (u. 1) PERNO 10X60 ISO 898-1 GEOMET 10.9 0/000.460.9131 (u. 1) 	OBSOLETE
10	<ul style="list-style-type: none"> TORN.EJE INF.AMORT.20X48.5 0/000.460.9107 (u. 1) 	
11	<ul style="list-style-type: none"> TUERCA AUTOBLOC.M10X125 DIN 985 ZINC 8 0/000.340.9110 (u. 1) 	
12	<ul style="list-style-type: none"> KIT REPARACION BALANCIN EC 2018 BE34035CT-CLJ-1 (u. 1) 	

Amortiguador



1	<ul style="list-style-type: none"> CASQUILLO ROTULA SUPERIOR SUSPENSION KAYABA ENDURO BE20210GG-CLJ-1 (u. 1)
2	<ul style="list-style-type: none"> TORICA ROTULA SUSPENSION KAYABA ENDURO BE30025GG-CLJ-1 (u. 3)
3	<ul style="list-style-type: none"> RETEN ROTULA SUPERIOR SUSPENSION KAYABA ENDURO BE23295GG-CLJ-1 (u. 3)
4	<ul style="list-style-type: none"> ARANDELA ROTULA SUPERIOR SUSPENSION KAYABA ENDURO BE232990GG-CLJ-1 (u. 1)
5	<ul style="list-style-type: none"> ROTULA SUPERIOR AMORTIGUADOR KAYABA ENDURO BE23250GG-CLJ-1 (u. 1)
7	<ul style="list-style-type: none"> GUARDAPOLVO ROTULA INF. SUSP. KAYABA ENDURO BE23280GG-CLJ-1 (u. 2)
8	<ul style="list-style-type: none"> CASQUILLO ROTULA INFERIOR SUSPENSION KAYABA ENDURO BE23285GG-CLJ-1 (u. 1)
9	<ul style="list-style-type: none"> COJINETE AGUJA INFERIOR SUSPENSION KAYABA ENDURO BE36060GG-CLJ-1 (u. 1)
10	<ul style="list-style-type: none"> CASQUILLO INF. SUSP. KAYABA ENDURO BE23300GG-CLJ-1 (u. 1)
13	<ul style="list-style-type: none"> MUELLE AMORTIGUADOR 46 mm 50n SUSPENSION KAYABA ENDURO BE30010GG-CLJ-1 (u. 1)
	<ul style="list-style-type: none"> MUELLE AMORTIGUADOR 46 mm 54n SUSPENSION KAYABA ENDURO BE30012GG-CLJ-1 (u. 1)
	<ul style="list-style-type: none"> MUELLE AMORTIGUADOR 46 mm 52n SUSPENSION KAYABA ENDURO BE30011GG-CLJ-1 (u. 1)

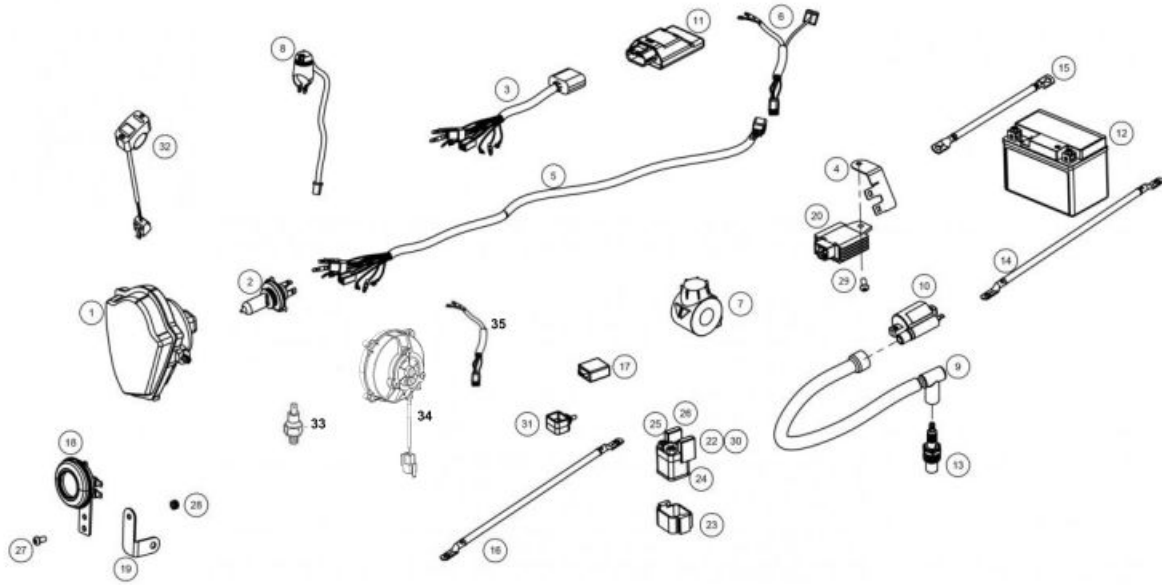
Radiador



1	<ul style="list-style-type: none"> RADIADOR IZQUIERDO ENDURO 2018 0/000.580.9103 (u. 1)
2	<ul style="list-style-type: none"> RADIADOR DERECHO + 2U SILENBLOCK 2019 0/000.580.9102 (u. 1)
3	<ul style="list-style-type: none"> TAPON RADIADOR 1.8 BAJO 0/000.410.9107 (u. 1)
4	<ul style="list-style-type: none"> GOMA TOPE RAD.49100025 BIE500132031 (u. 4)
5	<ul style="list-style-type: none"> TUBO SOBRENTE RAD.5X8 - 39cm.- TT-96 0/000.290.9117 (u. 1)
6	<ul style="list-style-type: none"> TUBO UNION RADIADORES ENDURO 2018 0/000.290.9103 (u. 1)
7	<ul style="list-style-type: none"> ABRAZ.TORRO SIN FIN 10-16 (10107270010) INOX FE 0/000.680.9108 (u. 2)
8	<ul style="list-style-type: none"> REJILLA RADIADOR IZQUIERDA ENDURO 2018 0/000.220.9113 (u. 1)
9	<ul style="list-style-type: none"> REJILLA RADIADOR DERECHA ENDURO 2018 0/000.220.9112 (u. 1)
10	<ul style="list-style-type: none"> TORN.ESP.6X10+ARANDELA GEOMET 10.9 0/000.460.9133 (u. 1)
11	<ul style="list-style-type: none"> ARANDELA COBRE 6X10X1.5 TORN.VAC.AGUA CI 0/000.440.9122 (u. 1)
12	<ul style="list-style-type: none"> ABRAZ.TORRO SIN FIN 16-27 (10107270027) INOX FE 0/000.680.9107 (u. 4)
13	<ul style="list-style-type: none"> TUBO RADIADOR IZQUIERDO A CÁRTER IZQUIERDO EC 2018 0/000.290.9105 (u. 1)
14	<ul style="list-style-type: none"> TUBO RAD.INF.DCH.EC 300 2014 0/000.290.9104 (u. 1)

15	<ul style="list-style-type: none"> CTO.TUBOS RADIADORES-TERMOSTATO EC 2018 0/000.290.9118 (u. 1)
16	<ul style="list-style-type: none"> CUERPO TERMOSTATO SM BE250432070 (u. 1)
17	<ul style="list-style-type: none"> CLAMP 22,5-24 0/000.680.3009 (u. 2)
18	<ul style="list-style-type: none"> ABRAZ.COBRA-19 INOX A2 0/000.680.9104 (u. 1)
19	<ul style="list-style-type: none"> EXAG+ARANDELA 6x14 DIN 6921 0/000.460.9118 (u. 4)
20	<ul style="list-style-type: none"> ARANDELA 6X20X2 0/000.440.9112 (u. 4)
21	<ul style="list-style-type: none"> ELECTROVENTILADOR 0/005.060.9100 (u. 1)
22	<ul style="list-style-type: none"> CONECTOR TIPO "T" RADIADOR MR 0/000.290.9119 (u. 1)
23	<ul style="list-style-type: none"> SOPORTE ELECTROVENTILADOR MR 0/000.980.9124 (u. 1)
24	<ul style="list-style-type: none"> TORNILLO CELO RHS81P 5x12 Torx Z/BLANCO 0/000.460.0090 (u. 4)
25	<ul style="list-style-type: none"> SENSOR TEMPERATURA 87° M14x1,5 0/001.010.9102 (u. 1)
26	<ul style="list-style-type: none"> REMACHE DIN 7337/A 5x10 0/000.330.0052 (u. 4)
27	<ul style="list-style-type: none"> INSTALACION ELECTROVENTILADOR MR 0/000.160.9111 (u. 1)
28	<ul style="list-style-type: none"> MR ELECTRO-FAN KIT FOR MR PRO INSTALLATION 0/K05.060.9100 (u. 1)

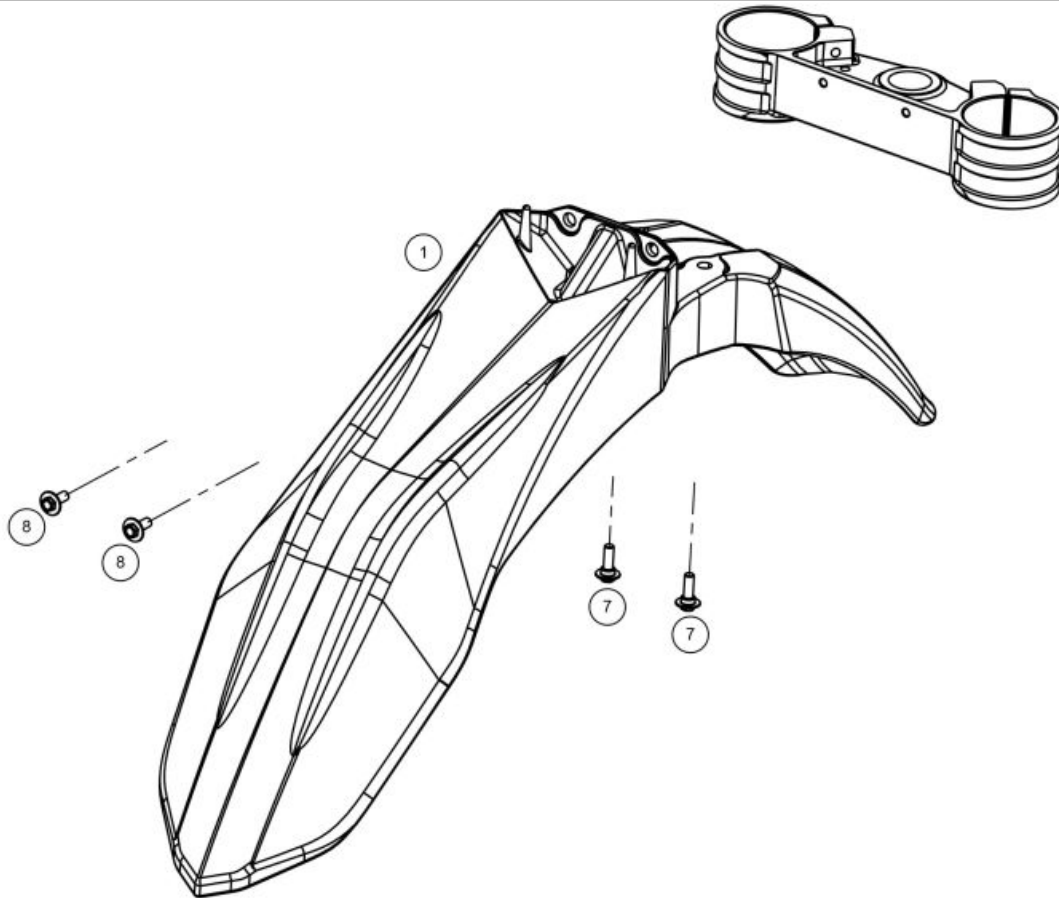
Parte Eléctrica



1	<ul style="list-style-type: none"> ● COMPLETE HEADLAMP BEAM UNIT 0/000.600.0270 (u. 1)
2	<ul style="list-style-type: none"> ● BOMBILLA HALOGENA 35/35 12V.HS1 L300125 (u. 1)
3	<ul style="list-style-type: none"> ● INSTALACION CHISPA 0/000.160.9101 (u. 1)
4	<ul style="list-style-type: none"> ● SOP.SUJ.CONECTORES ENCENDIDO ENDURO 2018 0/000.980.9110 (u. 1)
5	<ul style="list-style-type: none"> ● INSTALACION ELECTRICA PRINCIPAL ELECTROVENTILADOR MR 0/000.160.9112 (u. 1)
6	<ul style="list-style-type: none"> ● INST.LUZ MATRICULA ENDURO 2018 0/000.160.9103 (u. 1)
7	<ul style="list-style-type: none"> ● CONMUTADOR CON ARRANQUE ENDURO 2018 0/000.720.9101 (u. 1)
8	<ul style="list-style-type: none"> ● BOTON DE PARO TRIAL 2015 0/000.720.9102 (u. 1)
9	<ul style="list-style-type: none"> ● PIPA BUJIA LB05EMH=BT27934000 0/005.110.9100 (u. 1)
10	<ul style="list-style-type: none"> ● BOB.DE ALTA JT TXT 2013 0/005.070.9100 (u. 1)
11	<ul style="list-style-type: none"> ● CTO.CDI PROGRAMADO EC 250-300 GP 2019 EE51100CT-CSK-2 (u. 1)
12	<ul style="list-style-type: none"> ● BATERIA LITIO 4.0 Ah, HJTZ7S-FPZ 0/000.900.9100 (u. 1)
13	<ul style="list-style-type: none"> ● BUJIA W24ESRU 0/005.110.9101 (u. 1)
14	<ul style="list-style-type: none"> ● CABLE POSITIVO BATERIA EC 2019 0/000.160.9105 (u. 1)
15	<ul style="list-style-type: none"> ● CABLE NEGATIVO BATERIA 0/000.160.9104 (u. 1)
16	<ul style="list-style-type: none"> ● CABLE RELE A MOTOR ARRANQUE 2019 0/000.160.9107 (u. 1)
17	<ul style="list-style-type: none"> ● MODULO DIODES SHOTKY 0/001.200.9100 (u. 1)
18	<ul style="list-style-type: none"> ● HORN 0/000.420.5010 (u. 1)

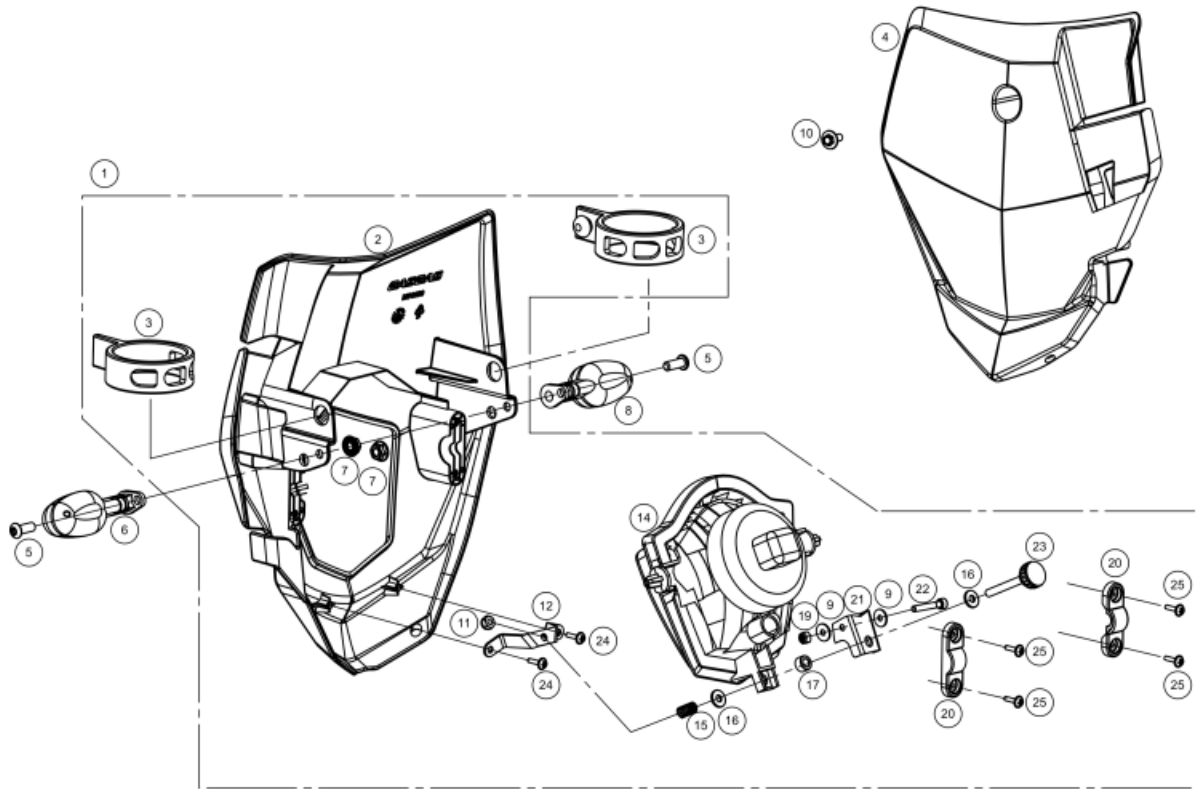
19	<ul style="list-style-type: none"> SOPORTE CLAXON ENDURO 2018 0/000.980.9107 (u. 1)
20	<ul style="list-style-type: none"> REGUL.(31600-XRU-0000) 0/005.070.9101 (u. 1)
21	<ul style="list-style-type: none"> INSTALACION ELECTROVENTILADOR MR 0/000.160.9111 (u. 1)
22	<ul style="list-style-type: none"> RELE ARRANQUE (RC19-005*)STARTER RELA 00020 A7343-888-00-000 0/001.200.9101 (u. 1)
23	<ul style="list-style-type: none"> GOMA SOP.RELE ARRANQUE FIJ.VERTICAL EE85205GG-CAK-1 (u. 1)
24	<ul style="list-style-type: none"> TAPA PROT.FUSIBLE (B4694-730-00-001) EE851052511 (u. 2)
25	<ul style="list-style-type: none"> WASHER Ø6 0/000.440.0240 (u. 2) ARANDELA EN ABANICO DIN 6798 ZINC 0/000.440.9127 (u. 2)
26	<ul style="list-style-type: none"> TORN.ESP.6X10+ARANDELA GEOMET 10.9 0/000.460.9133 (u. 2)
27	<ul style="list-style-type: none"> TORN.ESP.6X12+ARANDELA Y FIJADOR ISO 7380-2 INOX A2 0/000.460.9108 (u. 1)
28	<ul style="list-style-type: none"> TUERCA NUT 956 RAPIDA M-6 HRc 40/48 0/000.340.9120 (u. 1)
29	<ul style="list-style-type: none"> EXAG+ARANDELA 6x14 DIN 6921 0/000.460.9118 (u. 1)
30	<ul style="list-style-type: none"> FUSIBLE UNIVERSAL 20A 0/000.910.9100 (u. 2)
31	<ul style="list-style-type: none"> GOMA SOPORTE MODULO DIODES 0/000.360.9111 (u. 1)
32	<ul style="list-style-type: none"> SWITCH DOBLE MAPA 0/000.720.9100 (u. 1)
33	<ul style="list-style-type: none"> SENSOR TEMPERATURA 87° M14x1,5 0/001.010.9102 (u. 1)
34	<ul style="list-style-type: none"> ELECTROVENTILADOR 0/005.060.9100 (u. 1)
35	<ul style="list-style-type: none"> INSTALACION ELECTROVENTILADOR MR 0/000.160.9111 (u. 1)

Guardabarros delantero



- | | |
|---|--|
| 1 | <ul style="list-style-type: none"> ● GUARDAB.DEL.MR NEGRO
0/000.050.9100 (u. 1) |
| 7 | <ul style="list-style-type: none"> ● TORN.ESP.6X16 DRACOMET
0/000.460.9100 (u. 2) |
| 8 | <ul style="list-style-type: none"> ● TORN.ESP.6x7 DRACOMET
0/000.460.9161 (u. 2) |

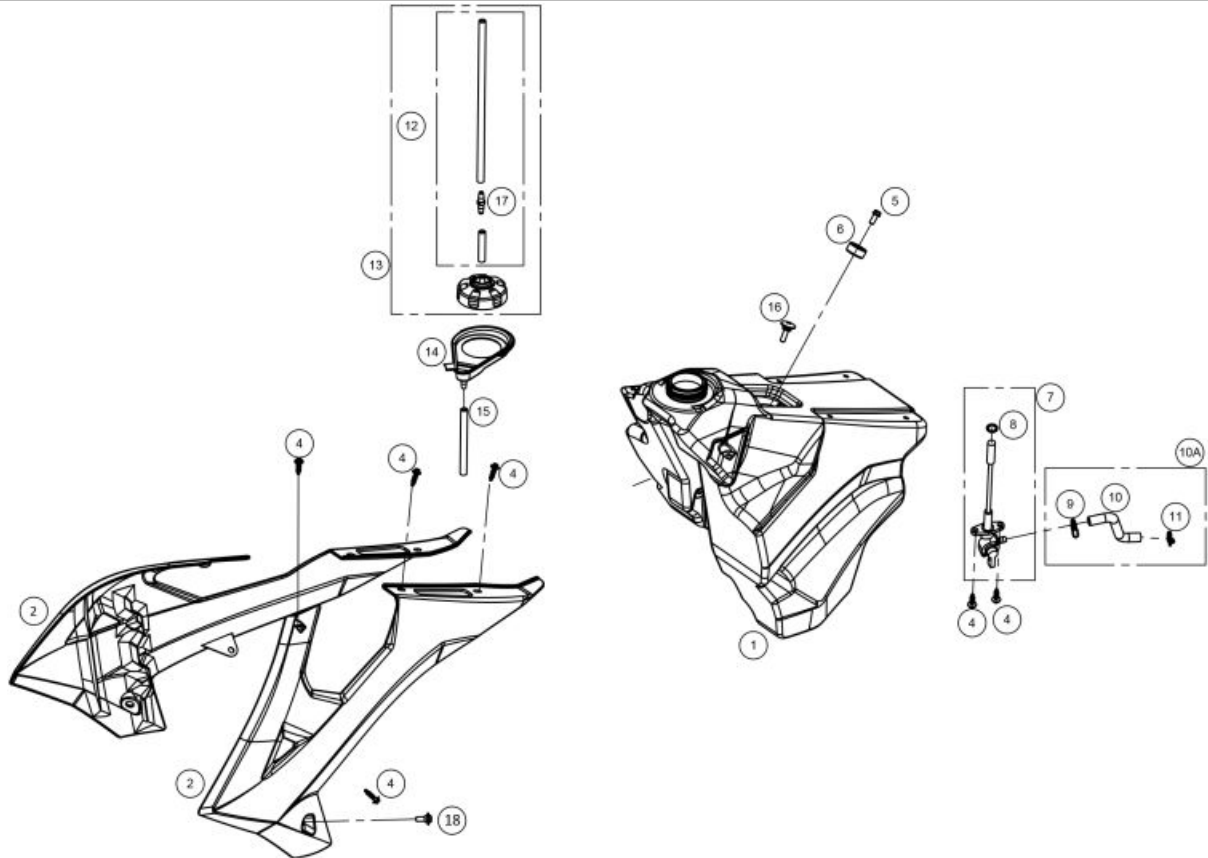
Faro Delantero



- | | |
|----|--|
| 3 | <ul style="list-style-type: none"> GOMA SUJETA FARO D.38 PP HP2070291G 0/000.360.9102 (u. 2) |
| 4 | <ul style="list-style-type: none"> PLACA PORTANUMEROS DELANTERA CROSS COUNTRY 2018 BLANCA BE90500GG-MXC-1 (u. 1) |
| 5 | <ul style="list-style-type: none"> ULS 6x16 ISO 7380-1 NEGRO 12.9 0/000.460.9156 (u. 2) |
| 6 | <ul style="list-style-type: none"> INTERMITENTE IZQ.DEL.2005 0/000.150.9101 (u. 1) |
| 7 | <ul style="list-style-type: none"> TUERCA+ARAN.M-6 ESTR. DIN 6923 ZINC 8 0/000.340.9116 (u. 2) |
| 8 | <ul style="list-style-type: none"> INTERMITENTE DCH.O.DEL.2005 0/000.150.9100 (u. 1) |
| 9 | <ul style="list-style-type: none"> ARANDELA PLANA 4X12X1 DIN 9021 ZN AG CR3 0/000.440.9119 (u. 2) |
| 10 | <ul style="list-style-type: none"> TORN.ESP.6x7 DRACOMET 0/000.460.9161 (u. 1) |
| 11 | <ul style="list-style-type: none"> TUERCA AUTOBL. M-5 BAJA DIN-985 ZINC 8 0/000.340.9112 (u. 1) |
| 12 | <ul style="list-style-type: none"> CHAPA REGUL.FARO 0/000.980.9103 (u. 1) |
| 13 | <ul style="list-style-type: none"> TORNILLO PLASTICO 4X10 ZN BLUE 0/000.460.9159 (u. 2) |
| 14 | <ul style="list-style-type: none"> COMPLETE HEADLAMP BEAM UNIT 0/000.600.0270 (u. 1) |
| 15 | <ul style="list-style-type: none"> MUELLE TORN.REG.OPTICA 0/000.470.9107 (u. 1) |
| 16 | <ul style="list-style-type: none"> ARANDELA 5X12X1.5 DIN 125A ZINC 0/000.440.9121 (u. 2) |
| 17 | <ul style="list-style-type: none"> CASQ.ALUMINIO Ø5.5X10X6 0/000.480.9128 (u. 1) |

19	<ul style="list-style-type: none"> TUERCA AUTOBL.M-4 DIN 985 ZINC 8 0/000.340.9111 (u. 1)
20	<ul style="list-style-type: none"> SOP.FARO BL. 0/000.980.9104 (u. 2)
21	<ul style="list-style-type: none"> REFUERZO LENGUETA FARO EC 2012 0/000.980.9106 (u. 1)
22	<ul style="list-style-type: none"> ALLEN 4X25 DIN 912 ZINC 0/000.460.9144 (u. 1)
23	<ul style="list-style-type: none"> TORN.REGUL.FARO ELESA B.193/18 P M5X40 0/000.460.9106 (u. 1)
24	<ul style="list-style-type: none"> TORNILLO PLASTICO 4X10 ZN BLUE 0/000.460.9159 (u. 2)
25	<ul style="list-style-type: none"> TORN.ESP.PLASTICO 4X12 CELO RF87T VERZINKT 0/000.460.9160 (u. 4)

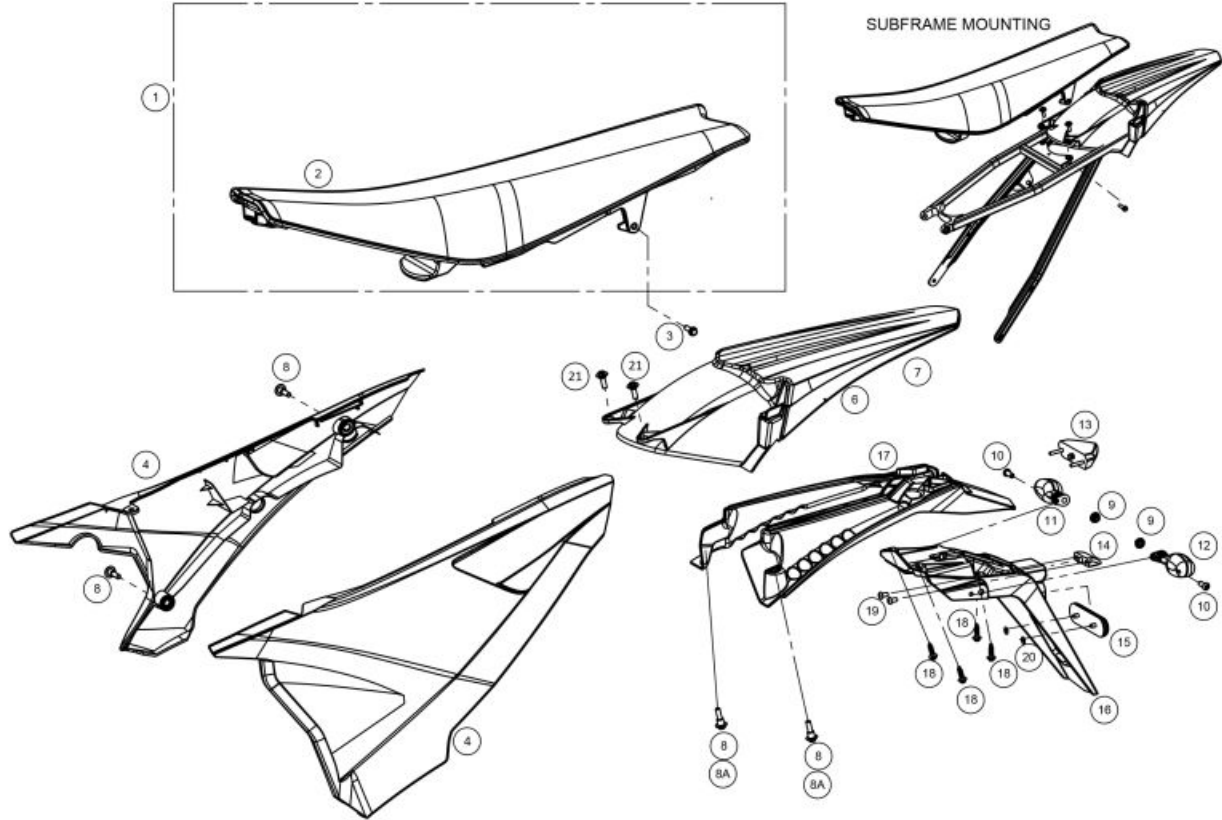
Depósito



1	<ul style="list-style-type: none"> ● DEPOSITO COMBUSTIBLE EUROPA (XPE) ENDURO 2018 0/000.030.9100 (u. 1)
2	<ul style="list-style-type: none"> ● KIT PLACAS PROTECCION RADIADOR NEGRAS MR 0/K00.570.9102 (u. 1)
4	<ul style="list-style-type: none"> ● TORNILLO ESPECIAL ROSCA PLASTICO CABOTA HEXAGONAL CON ARANDELA 6X20 T0806020 (u. 10) ● TORNILLO DEPÓSITO - SILLÍN Ø6x23 (EJOT ref. 05100519) T0806023 (u. 10)
5	<ul style="list-style-type: none"> ● EXAG+ARANDELA 6x14 DIN 6921 0/000.460.9118 (u. 1)
6	<ul style="list-style-type: none"> ● SILENTBLOCK+ARANDELA Y REGATA DEP.GASOLIN 0/000.360.9105 (u. 1)
7	<ul style="list-style-type: none"> ● GRIFO GASOLINA ENDURO 2018 0/000.370.9100 (u. 1)
8	<ul style="list-style-type: none"> ● TORICA GRIFO GASOLINA 10X2.5 B740120 (u. 1)
9	<ul style="list-style-type: none"> ● ABRAZ.MOLLA M-11.6-12.3 ZINC CR3 0/000.680.9102 (u. 1)
10A	<ul style="list-style-type: none"> ● TUBO GASOLINA ENDURO 2018 0/000.290.9108 (u. 1)
10	<ul style="list-style-type: none"> ● TUBO GASOLINA ENDURO 2018 DE HOMOLOGACION 0/000.290.9109 (u. 1)
11	<ul style="list-style-type: none"> ● ABRAZ.MOLLA M-12X1.5 ACERO ZN 0/000.680.9103 (u. 1)
12	<ul style="list-style-type: none"> ● CTO.TUBO DESVAP.GASOLINA 26cm 0/000.290.9115 (u. 1)
13	<ul style="list-style-type: none"> ● CTO.TAP.GASOLINA+TUBO EC 2014 BE76010CT-CAB-1 (u. 1)
14	<ul style="list-style-type: none"> ● REBOSADERO DEP.GASOL. 0/000.570.9102 (u. 1)

15	<ul style="list-style-type: none">● TUBO REBOSADERO DEP.DE GASOLINA ENDURO 0/000.290.9107 (u. 1)
16	<ul style="list-style-type: none">● TORNILLO DEPÓSITO - SILLÍN Ø6x23 (EJOT ref. 05100519) T0806023 (u. 1)● TORNILLO ESPECIAL ROSCA PLASTICO CABOTA HEXAGONAL CON ARANDELA 6X20 T0806020 (u. 1)
17	<ul style="list-style-type: none">● VALV.DESVAPO.DEP. BT27836025 (u. 1)
18	<ul style="list-style-type: none">● TORNILLO ESPECIAL ROSCA PLASTICO CABOTA HEXAGONAL 6X12 DRACOMET 0/000.460.9101 (u. 2)

Plástica Trasera



- | | |
|----|---|
| 1 | ● SILLÍN MR PRO BLACK RED 2020
0/000.040.9101 (u. 1) |
| 2 | ● FUNDA SILLIN ENDURO 2018
BE94025GG-CLJ-1 (u. 1) |
| 3 | ● TORN.ESP.6X25 DIN 6921 GEOMET 10.9 VALONA 11MM
0/000.460.9121 (u. 1) |
| 4 | ● KIT PLACAS LATERALES PORTANUMEROS BLANCAS MR
0/K00.570.9101 (u. 1) |
| 6 | ● CTO.GUARDAB.TRAS.EC 2018 BL.
0/000.060.9100 (u. 1) |
| 8 | ● TORNILLO ESPECIAL 6X16 CON CENTRADOR DRACOMET
0/000.460.9163 (u. 2) |
| 9 | ● TUERCA+ARAN.M-6 ESTR. DIN 6923 ZINC 8
0/000.340.9116 (u. 2) |
| 10 | ● ULS 6x16 ISO 7380-1 NEGRO 12.9
0/000.460.9156 (u. 2) |
| 11 | ● INTERMITENTE DCH.TRAS.2005
0/000.150.9102 (u. 1) |
| 12 | ● INTERMITENTE IZQ.TRAS.2005
0/000.150.9103 (u. 1) |
| 13 | ● LUZ PILOTO TRASERO LED
0/000.150.9105 (u. 1) |
| 14 | ● LUZ MATRICULA (HD008000)
0/000.150.9104 (u. 1) |
| 15 | ● CATADIOPTICO 700R ENDURO 2007
0/000.630.9103 (u. 1) |
| 16 | ● PORTAMATRICULAS HOMOLOGACION
0/000.060.9102 (u. 1) |
| 17 | ● PORTAMATRICULAS CORTO EC 2018
0/000.060.9101 (u. 1) |

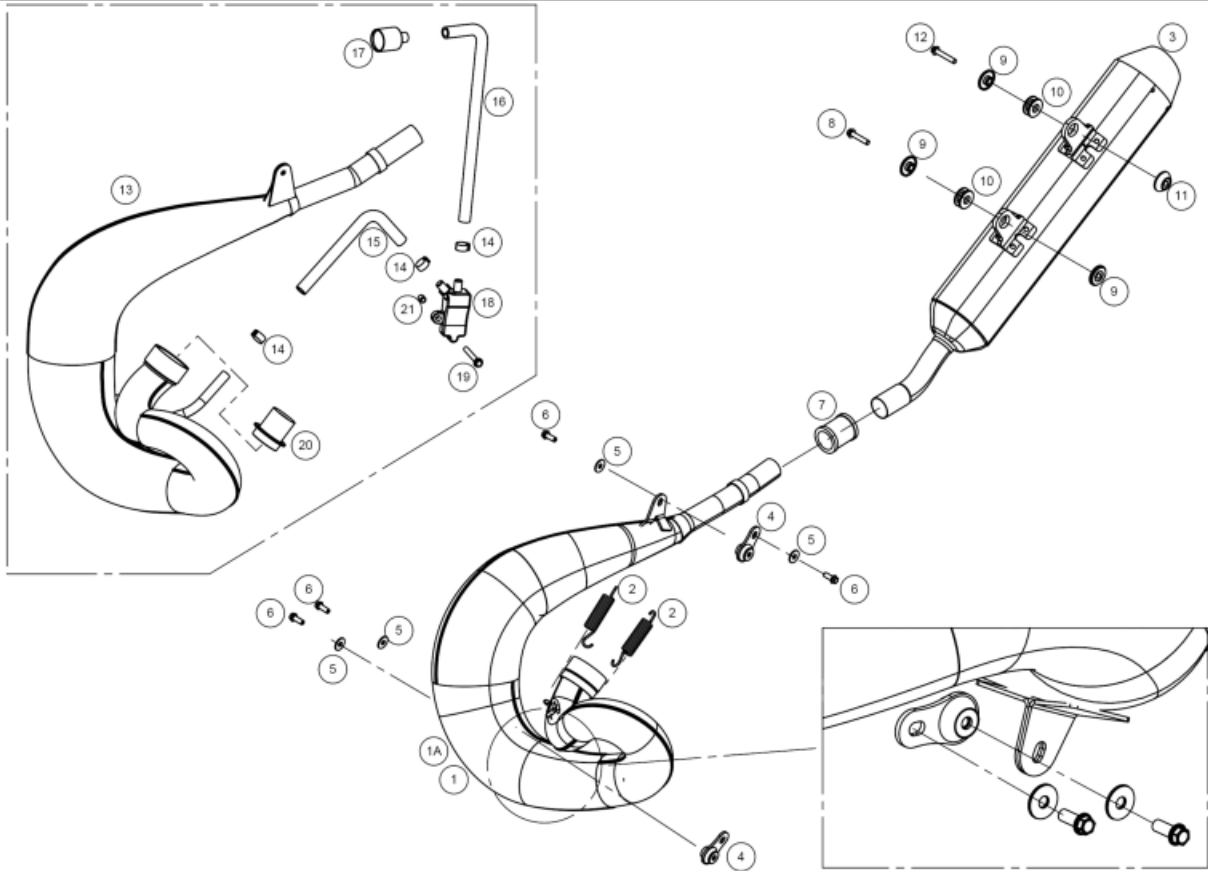
18	<ul style="list-style-type: none">● TORNILLO ESPECIAL ROSCA PLASTICO CABOTA HEXAGONAL CON ARANDELA 6X20 T0806020 (u. 4)
	<ul style="list-style-type: none">● TORNILLO DEPÓSITO - SILLÍN Ø6x23 (EJOT ref. 05100519) T0806023 (u. 4)
19	<ul style="list-style-type: none">● ULS TORX CON ARAND.4X08 ISO 7380-2 INOX A2 0/000.460.9158 (u. 2)
20	<ul style="list-style-type: none">● GRAPA 02110396 SRRM-5 CATADRIOPTICO 0/000.440.9102 (u. 2)
21	<ul style="list-style-type: none">● TORNILLO ESPECIAL ROSCA PLASTICO CABOTA HEXAGONAL 6X12 DRACOMET 0/000.460.9101 (u. 2)

Adhesivos



- 1 ● JUEGO DE CALCAS RIEJU MR PRO 2020
0/000.390.9123 (u. 1)

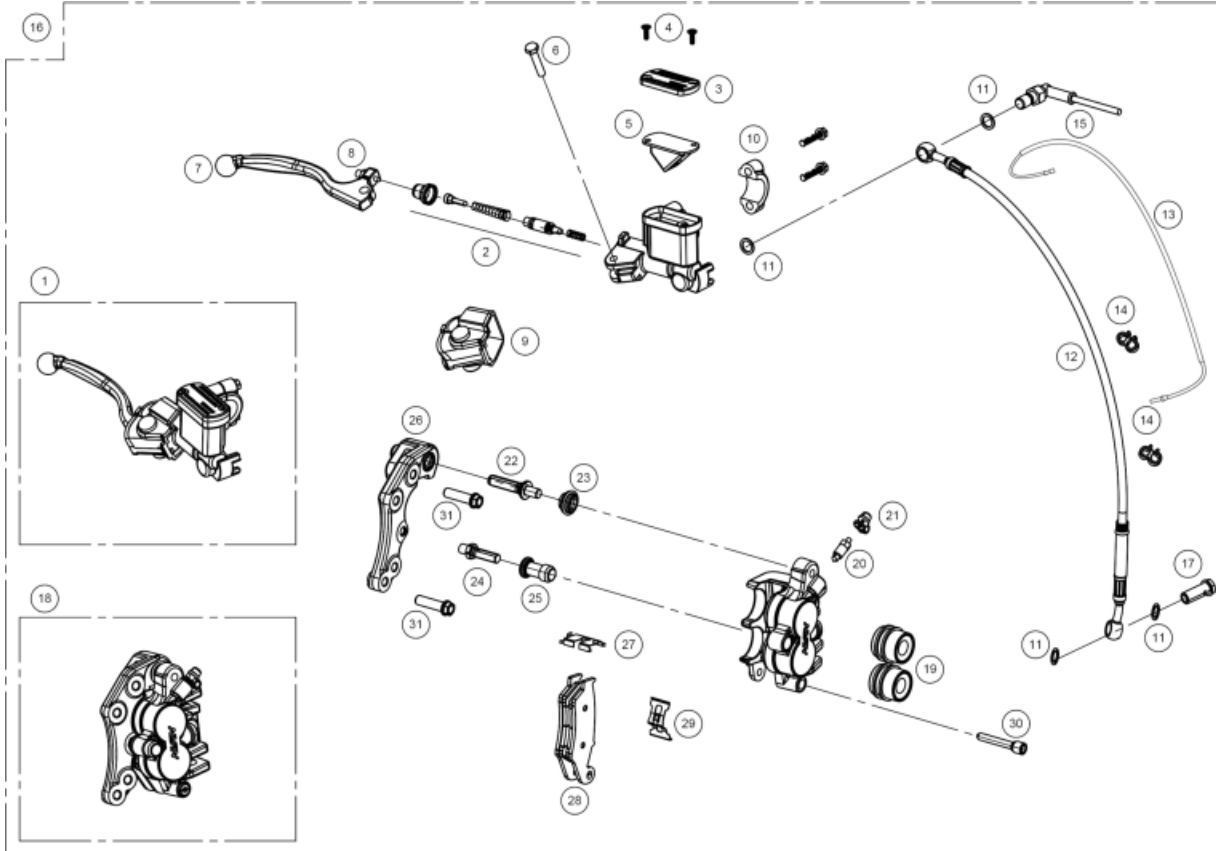
Escape



- | | |
|----|---|
| 1 | <ul style="list-style-type: none"> CTO.TUBO ESCAPE EC 2018 0/000.290.9114 (u. 1) |
| 2 | <ul style="list-style-type: none"> MUELLE ESCAPE EC 0/000.470.9106 (u. 2) |
| 3 | <ul style="list-style-type: none"> SILENCIADOR FMF POWERCORE 2.1 0/000.870.9101 (u. 1) |
| 4 | <ul style="list-style-type: none"> SILENBLOCK ESCAPE ENDURO 0/000.360.9107 (u. 2) |
| 5 | <ul style="list-style-type: none"> ARANDELA 6X18X1.5 DIN 9021 ZINC 0/000.440.9126 (u. 4) |
| 6 | <ul style="list-style-type: none"> TORN.ESP.6X16 DIN 6921 ZINC.10.9 0/000.460.9119 (u. 4) |
| 7 | <ul style="list-style-type: none"> JUNTA ESCAPE 250 SILIC.5916 0/000.490.9103 (u. 1) |
| 8 | <ul style="list-style-type: none"> TORN.ESP.M6x30 DIN 6921 GEOMET 0/000.460.9123 (u. 1) |
| 9 | <ul style="list-style-type: none"> CASQ.SILENCIADOR CORTO EC 2018 0/000.480.9115 (u. 3) |
| 10 | <ul style="list-style-type: none"> SILENBLOCK ESCAPE EC 2018 0/000.360.9108 (u. 2) |
| 11 | <ul style="list-style-type: none"> CASQ.SILENCIADOR LARGO ENDURO 2018 0/000.480.9114 (u. 1) |
| 12 | <ul style="list-style-type: none"> TORN.ESP.M6X35 DIN 6921 GEOMET 0/000.460.9124 (u. 1) |
| 13 | <ul style="list-style-type: none"> CTO.TUBO ESCAPE EC 2018 HOMOL. 0/000.290.9113 (u. 1) |
| 14 | <ul style="list-style-type: none"> ABRAZ.COBRA D.15/8 W4 INOX A2 0/000.680.9106 (u. 3) |

15	<ul style="list-style-type: none">● TUBO AIRE SECUNDARIO CORTO EC-2009 0/000.290.9110 (u. 1)
16	<ul style="list-style-type: none">● TUBO AIRE SECUNDARIO LARGO EC-2009 0/000.290.9111 (u. 1)
17	<ul style="list-style-type: none">● FILTER 0/227.013.0003 (u. 1)
18	<ul style="list-style-type: none">● VALV.AIRE SECUNDARIO EC-2009 RV-1-037 0/000.640.9100 (u. 1)
19	<ul style="list-style-type: none">● TORN.ESP.6x60 Fil.20 DELTA PROTEK 10.9 0/000.460.9128 (u. 1)
20	<ul style="list-style-type: none">● CATALIZADOR EC250-2002 0/001.600.9100 (u. 1)
21	<ul style="list-style-type: none">● CASQ.DIST.PIÑON 0/000.980.9112 (u. 1)

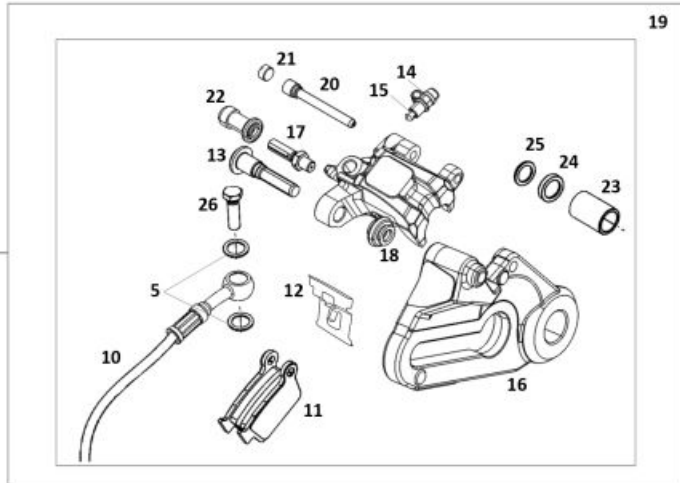
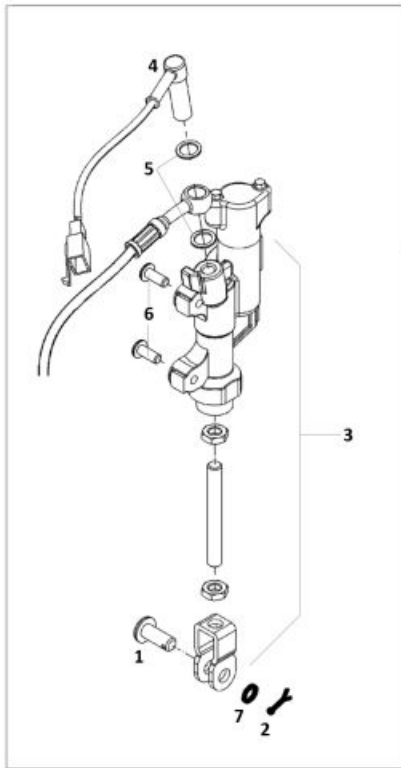
Freno Delantero



- | | |
|----|---|
| 1 | <ul style="list-style-type: none"> BOMBA FRENO DEL.NISSIN=BC25922008 BC25922008/2 (u. 1) |
| 2 | <ul style="list-style-type: none"> KIT PISTON FRENO A 113-MK1-GAS BC25922219 (u. 1) |
| 3 | <ul style="list-style-type: none"> TAPA BOMBA 009-M91-099 BC25922210 (u. 1) |
| 4 | <ul style="list-style-type: none"> TORN.TAPA BOMBA 049-Z02-064 BC25922217 (u. 2) |
| 5 | <ul style="list-style-type: none"> GOMA ANTIESPUMANTE 003-M68-042 BC25922216 (u. 1) |
| 6 | <ul style="list-style-type: none"> TORN.ESP.083-M87-012 BC25922212 (u. 1) |
| 7 | <ul style="list-style-type: none"> MANETA FRENO TT250 2904 (3274) BC250022045R (u. 1) |
| 8 | <ul style="list-style-type: none"> TENSOR MANETA NISSIN 003-M84-107 BC25922218 (u. 1) |
| 9 | <ul style="list-style-type: none"> GUARDAPOLVO BC25922213 (u. 1) |
| 10 | <ul style="list-style-type: none"> BRIDA BC25922211 (u. 1) |
| 11 | <ul style="list-style-type: none"> ARANDELA LATIGUILLO 10X14X1 BE25622007 (u. 4) |
| 12 | <ul style="list-style-type: none"> LATIGUILLO FRENO DEL.EC-2004- 740 746112 BE250422002 (u. 1) |
| 13 | <ul style="list-style-type: none"> SENSOR CUENTA KM ENDURO 0/001.010.9100 (u. 1) |
| 14 | <ul style="list-style-type: none"> GRAPA SUJ.CABLE CT.KM.2008 0/000.630.9104 (u. 2) |
| 15 | <ul style="list-style-type: none"> INTERRUPTOR 23-016/1 STOP BOMBA NISSIN 3 0/000.720.9104 (u. 1) |

16	<ul style="list-style-type: none"> CTO.FRENO DEL.PURGADO ENDURO 2004 0/000.820.9107 (u. 1)
17	<ul style="list-style-type: none"> RACORD SUJ.LATIGUILLO 10X1,25(9257) BC25722006 (u. 1)
18	<ul style="list-style-type: none"> PINZA FRENO DEL+SOP.272-C00-400 EC-2007 0/000.860.9101 (u. 1)
19	<ul style="list-style-type: none"> KIT.REP.PISTON 272-C98-129 BE620422508 (u. 1)
20	<ul style="list-style-type: none"> KIT SANGRADOR EC 142-D98-103 BE620602508 (u. 1)
21	<ul style="list-style-type: none"> TAP.SANGRADOR NISSIN 009-Z51-015 BE250022055 (u. 1)
22	<ul style="list-style-type: none"> TORN.GUIA NISSIN 002-C46-086 BE250022092 (u. 1)
23	<ul style="list-style-type: none"> GUARDAPOLVO EC 002-C40-101 BE620682508 (u. 1)
24	<ul style="list-style-type: none"> TORN.CLAVIJA PINZA FRENO 082-C48-023 BE250022034 (u. 1)
25	<ul style="list-style-type: none"> GUARDAPOLVO PINZA EC 002-C49-104 BE620692508 (u. 1)
26	<ul style="list-style-type: none"> SOP.PINZA DEL.EC 002-C08-225 BE620102508 (u. 1)
27	<ul style="list-style-type: none"> PLATINA SUJ.PASTILLAS 002-C80-014 BE620122508 (u. 1)
28	<ul style="list-style-type: none"> KIT PASTILLAS DEL.EC 002-C94-540 CEX BE620652508 (u. 1)
29	<ul style="list-style-type: none"> PLATINA SUJ.PASTILLAS EC 002-C30-110 BE620112508 (u. 1)
30	<ul style="list-style-type: none"> PASADOR PAS.PINZA F.DEL.002-C50-031 BE250022041 (u. 1)
31	<ul style="list-style-type: none"> TORN.ESP.8X30 GEOMET 10.9 0/000.460.9138 (u. 2)

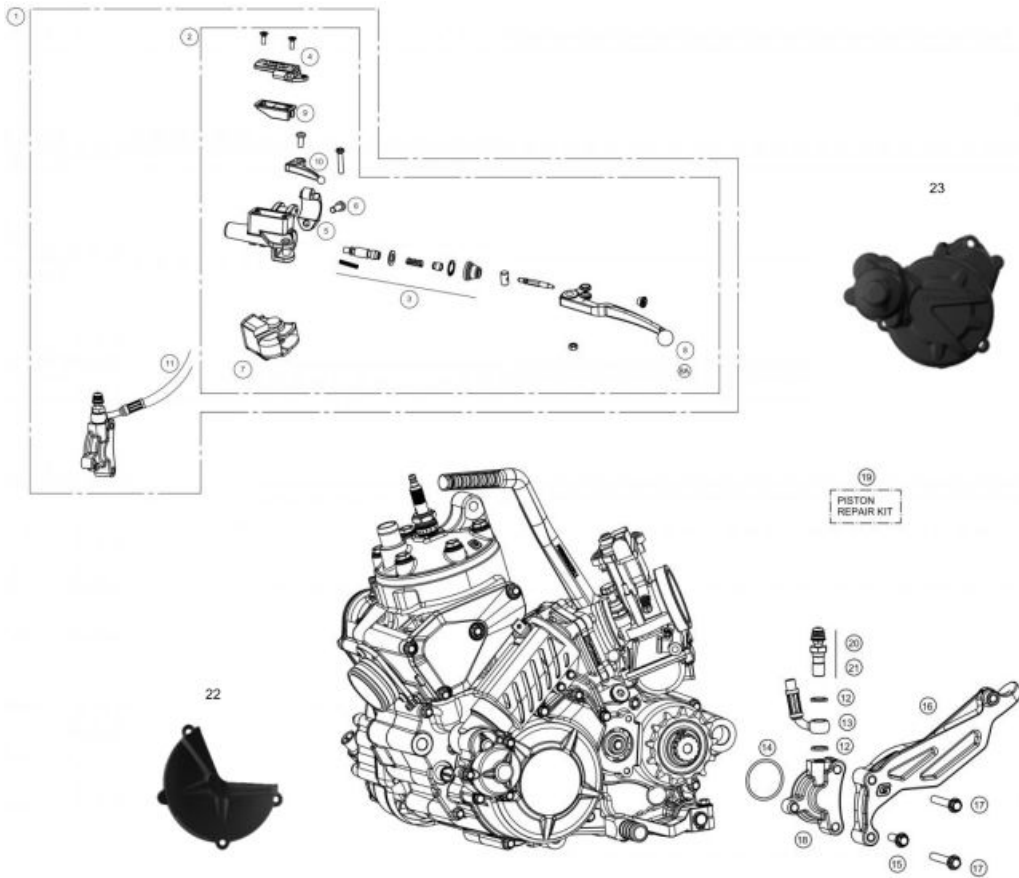
Freno Trasero



- | | |
|----|---|
| 1 | <ul style="list-style-type: none"> PASADOR 8X20 PEDAL FRENO
0/000.840.9101 (u. 1) |
| 2 | <ul style="list-style-type: none"> CLAVILLA PASADOR FRENO 2X20
0/000.840.9102 (u. 1) |
| 3 | <ul style="list-style-type: none"> CTO.BOMBA FRENO TRASERO EC 2018
0/000.820.9105 (u. 1) |
| 4 | <ul style="list-style-type: none"> INTERRUPTOR 23-016/1 STOP BOMBA NISSIN 3
0/000.720.9104 (u. 1) |
| 5 | <ul style="list-style-type: none"> ARANDELA LATIGUILLO 10X14X1
BE25622007 (u. 4) |
| 6 | <ul style="list-style-type: none"> TORN.ESP.6X16 DIN 6921 ZINC.10.9
0/000.460.9119 (u. 2) |
| 7 | <ul style="list-style-type: none"> ARANDELA 8X16X1 ZINCADA PEDAL FRENO GASGAS
0/000.440.0302 (u. 1) |
| 8 | <ul style="list-style-type: none"> BRIDA 2,5x100 T18ROS-PA66HS-BK
0/000.680.0081 (u. 3) BRIDA UNEX NYLON CORTA 2221-0 2.5X98 =P380003
0/000.660.9106 (u. 3) |
| 9 | <ul style="list-style-type: none"> CTO.FRENO TRAS.EC-2018
0/000.820.9104 (u. 1) |
| 10 | <ul style="list-style-type: none"> LATIGUILLO FRENO TRAS.EC-2009
BE661002509 (u. 1) |
| 11 | <ul style="list-style-type: none"> KIT PASTILLAS FRENO TRAS.EC-2009 002-C94
BE675002509 (u. 1) |
| 12 | <ul style="list-style-type: none"> PLATINA (B) SUJ.PAST.TRAS.002-C53-101
BE250022091 (u. 1) |
| 13 | <ul style="list-style-type: none"> TORN.SUJ.PINZA 012-C54-001
BE250022096 (u. 1) |
| 14 | <ul style="list-style-type: none"> TAP.SANGRADOR NISSIN 009-Z51-015
BE250022055 (u. 1) |

15	<ul style="list-style-type: none"> ● SANGRADOR NISSIN 079-Z50-001 BE250022060 (u. 1)
16	<ul style="list-style-type: none"> ● SOP.PINZA FRENO TRAS.NISSIN EC-2009 BE671002509 (u. 1)
17	<ul style="list-style-type: none"> ● TORN.CLAVIJA PINZA FRENO 082-C48-023 BE250022034 (u. 1)
18	<ul style="list-style-type: none"> ● GUARDAPOLVO PINZA FRENO TRAS.EC-2009 250 BE675802509 (u. 1)
19	<ul style="list-style-type: none"> ● CTO.PINZA FRENO TRAS.+SOP.EC-2009 0/000.860.9102 (u. 1)
20	<ul style="list-style-type: none"> ● PASADOR PASTILLAS TRAS.002-C50-053 BE250022094 (u. 1)
21	<ul style="list-style-type: none"> ● PROTECC.PASADOR NISSIN 002-C51-012 BE250022095 (u. 1)
22	<ul style="list-style-type: none"> ● GUARDAPOLVO PINZA EC 002-C49-104 BE620692508 (u. 1)
23	<ul style="list-style-type: none"> ● PISTON PINZA FRENO TRAS.EC-2009 252-C34- BE675602509 (u. 1)
24	<ul style="list-style-type: none"> ● RETEN PINZA FRENO TRAS.EC-2009 250-C43-0 BE675502509 (u. 1)
25	<ul style="list-style-type: none"> ● RETEN PINZA FRENO TRAS.EC-2009 BE675552509 (u. 1)
26	<ul style="list-style-type: none"> ● RACORD SUJ.LATIGUILLO 10X1,25(9257) BC25722006 (u. 1)

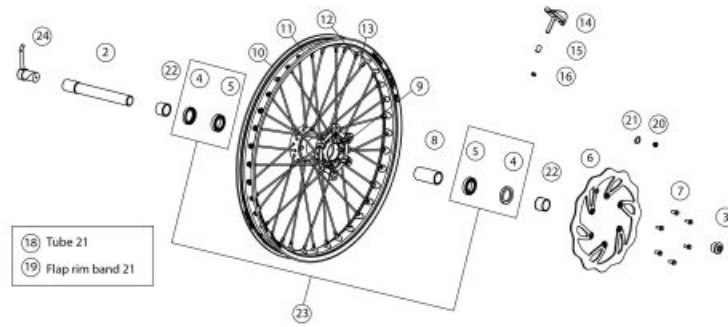
Mando Embrague



1	<ul style="list-style-type: none"> CTO.EMBR.EC MAGURA 9.5 DOT-4 (167) 0/000.830.9101 (u. 1)
2	<ul style="list-style-type: none"> BOMBA EMBR.MAGURA 9,5 (167) 2000396 BE45000013011 (u. 1)
3	<ul style="list-style-type: none"> KIT PISTON 9,5 (0723184) BE45000043011 (u. 1)
4	<ul style="list-style-type: none"> TAPA ACEITE MINERAL (0723164) BE45000053011 (u. 1)
5	<ul style="list-style-type: none"> BRIDA SUJ.(0723118) BE45000063011 (u. 1)
6	<ul style="list-style-type: none"> TORN.ESP.6x20 DIN 6921 GEOMET 10.9 0/000.460.9120 (u. 1)
7	<ul style="list-style-type: none"> GUARDAPOLVO (0723163) BE45000093011 (u. 1)
8A	<ul style="list-style-type: none"> MANETA LARGA EMBR.(0723290) BE45000033011 (u. 1)
8	<ul style="list-style-type: none"> MANETA CORTA EMBR.(0723121) BE45000023011 (u. 1)
9	<ul style="list-style-type: none"> MEMBRANA DEPOSITO BE45000103011 (u. 1)
10	<ul style="list-style-type: none"> LEVA STARTER (0723189) BE45000073011 (u. 1)
11	<ul style="list-style-type: none"> LATIGUILLO EMBR.ENDURO (FK003CE021E) BE250522003 (u. 1)
12	<ul style="list-style-type: none"> ARANDELA LATIGUILLO 10X14X1 BE25622007 (u. 2)
13	<ul style="list-style-type: none"> LATIGUILLO EMBR.ENDURO (FK003CE021E) BE250522003 (u. 1)

14	<ul style="list-style-type: none"> TORICA BOMB.EMB.LIQ.32X2 EPDM ME25632024 (u. 1)
15	<ul style="list-style-type: none"> TORN.ESP.6x20 DIN 6921 GEOMET 10.9 0/000.460.9120 (u. 1)
16	<ul style="list-style-type: none"> KIT PATIN CADENA 3 COMP. BE43015CT-CLJ-1 (u. 1)
17	<ul style="list-style-type: none"> TORN.ESP.6x50 Fil.20 DIN 6921 GEOMET 10.9 0/000.460.9126 (u. 2)
18	<ul style="list-style-type: none"> BOMBIN EMBRAGUE ME250632026 (u. 1)
19	<ul style="list-style-type: none"> BOMBIN EMBRAGUE ME250632026 (u. 1)
20	<ul style="list-style-type: none"> TAP.SANGRADOR FD-G006-00 BT27922055 (u. 1)
21	<ul style="list-style-type: none"> SANGRADOR PINZA EMBR.TT BE25622060 (u. 1)
22	<ul style="list-style-type: none"> PROTECTOR EMBRAGUE MR NEGRO 0/000.220.9129 (u. 1)
23	<ul style="list-style-type: none"> PROTECTOR TAPA ENCENDIDO MR NEGRO 0/000.220.9130 (u. 1)

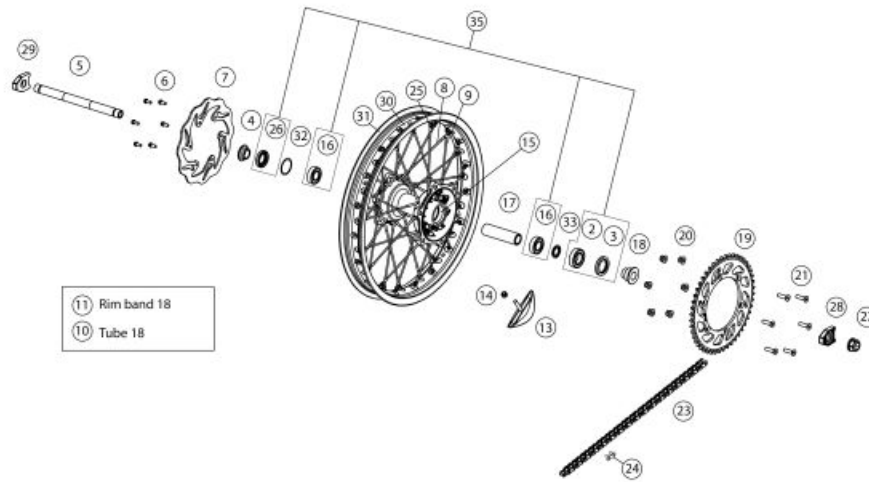
Rueda Delantera



1	<ul style="list-style-type: none"> ● ADHESIVE RIMS ENDURO 0/000.390.5140 (u. 4)
2	<ul style="list-style-type: none"> ● EJE RUEDA DEL.EC-2011 20.8CM 0/000.190.9102 (u. 1)
3	<ul style="list-style-type: none"> ● TUERCA EJE DELANTERO 0/000.340.9100 (u. 1)
4	<ul style="list-style-type: none"> ● RETEN CUBO DEL.390.99.59-30X42X7 BE250418057 (u. 2)
5	<ul style="list-style-type: none"> ● RODAM.61905 2RS1 ME120136055 (u. 2)
6	<ul style="list-style-type: none"> ● DISCO FRENO DELANTERO DIAM.260 FLOTANTE 0/001.090.9106 (u. 1)
7	<ul style="list-style-type: none"> ● EXAG.6x14+ARANDELA GEOMET 10.9 TUFLOK 0/000.460.9142 (u. 1)
8	<ul style="list-style-type: none"> ● CASQ.SEP.CUBO DEL.390.80.234 BE250418058 (u. 1)
9	<ul style="list-style-type: none"> ● CUBO RUEDA DEL.EC 2014 BE54110GG-CAB-1 (u. 1)
10	<ul style="list-style-type: none"> ● LLANTA DEL.EXCEL NG.EC-2009 0/000.230.9101 (u. 1)
11	<ul style="list-style-type: none"> ● CTO.LLANTA DEL.RADIADA GOLDSPEED NEGRA CUBO ROJO GP 2019 0/000.110.9101 (u. 1)
12	<ul style="list-style-type: none"> ● TUERCA RADIO DEL. BE542503013 (u. 36)
13	<ul style="list-style-type: none"> ● RADIO DEL.EC-2013 BE542003013 (u. 36)
14	<ul style="list-style-type: none"> ● AGARRE DEL.EC-2009 1.6x21 0/000.220.9114 (u. 1)

15	<ul style="list-style-type: none"> CASQ.AGARRE CUBIERTA EC-2010 8X12X12 0/000.480.9112 (u. 1)
16	<ul style="list-style-type: none"> TUERCA AUTOBL.M-8 BAJA DIN 985 ZINC 0/000.340.9114 (u. 1)
18	<ul style="list-style-type: none"> CAMARA DELANTERA 21MDR VALVE TR4 833092 0/000.520.9100 (u. 1)
19	<ul style="list-style-type: none"> PROT.BANDA DEL.FLAP 1.60/1.85 X 21(1400X25) 949947 0/000.220.9108 (u. 1)
20	<ul style="list-style-type: none"> IMAN EC 2010 0/001.010.9101 (u. 1)
21	<ul style="list-style-type: none"> SEGEER A 9 SOP.IMAN EC 2010 DIN 471 PAVONADO NEGRO 0/000.300.9100 (u. 1)
22	<ul style="list-style-type: none"> CASQUILLO RUEDA DELANTERA 0/000.480.9100 (u. 2)
23	<ul style="list-style-type: none"> KIT COJINETES I RETENES RUEDA DEL. BE51000CT2510 (u. 1)
24	<ul style="list-style-type: none"> TIRADOR EJE DEL.EC 0/000.980.9123 (u. 1)

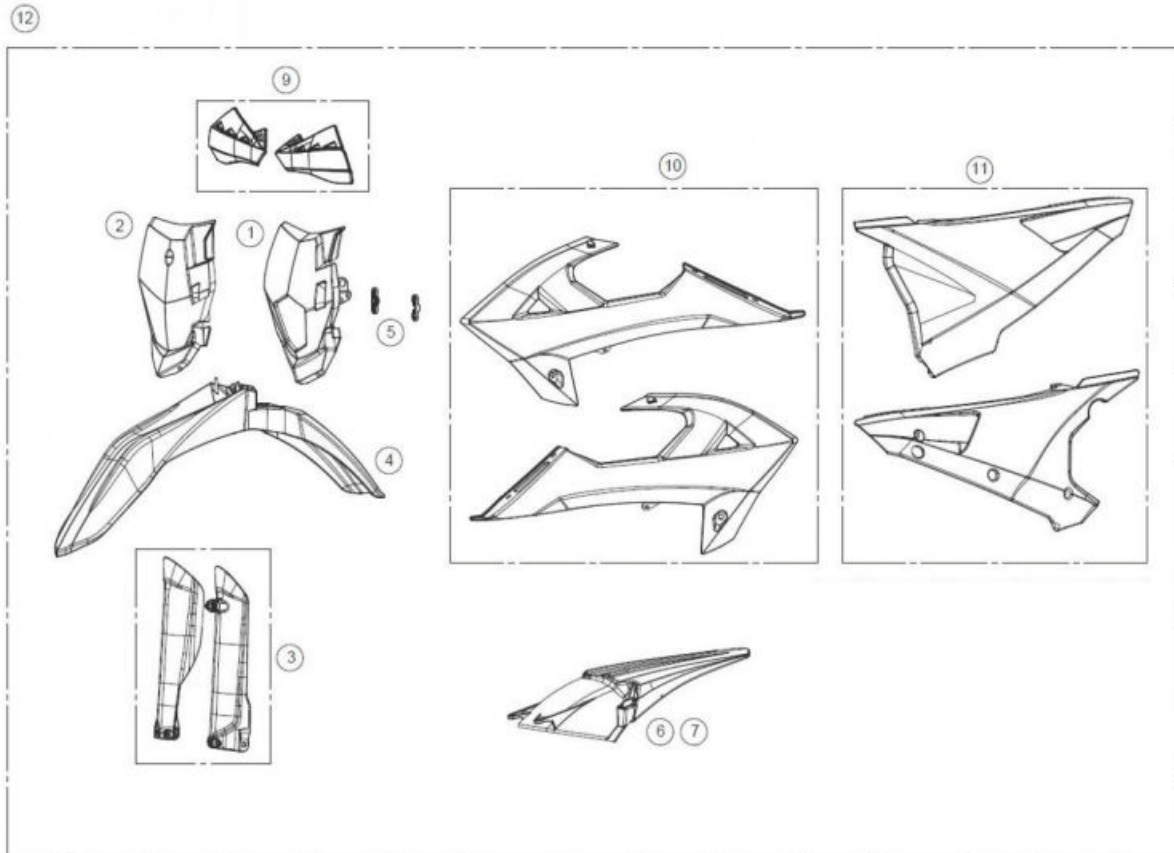
Rueda Trasera



1	<ul style="list-style-type: none"> ● ADHESIVE RIMS ENDURO 0/000.390.5140 (u. 4)
2	<ul style="list-style-type: none"> ● COJINETE RUEDA TRAS.6005-2SRH C3 BE250318054 (u. 1)
3	<ul style="list-style-type: none"> ● RETEN RUEDA TT 2003 32X47X7 BE250318055 (u. 1)
4	<ul style="list-style-type: none"> ● DIST.RUEDA TRAS.CORTO EC-2000 0/000.480.9104 (u. 1)
5	<ul style="list-style-type: none"> ● EJE RUEDA TRAS.EC 2018 0/000.190.9103 (u. 1)
6	<ul style="list-style-type: none"> ● EXAG+ARANDELA 6x14 DIN 6921 0/000.460.9118 (u. 6)
7	<ul style="list-style-type: none"> ● DISCO FRENO TRASERO ENDURO 2018 220mm 0/001.090.9103 (u. 1)
8	<ul style="list-style-type: none"> ● RADIO 192X4.5 LADO FRENO 18" BE59200GG-CLJ-1 (u. 18)
9	<ul style="list-style-type: none"> ● RADIO 188X4.5 LADO CORONA 18" BE59210GG-CLJ-1 (u. 18)
10	<ul style="list-style-type: none"> ● CAMARA TRASERA CH 18 MGR VALVE TR4 MICHELIN 0/000.520.9102 (u. 1)
11	<ul style="list-style-type: none"> ● PROT.BANDA TRASERO 1.60/2.00 X 18/19 (1300X25) 656415 MICHELIN 0/000.220.9110 (u. 1)
13	<ul style="list-style-type: none"> ● AGARRE TRAS.EC-2009 2.15x18 0/000.220.9115 (u. 1)
14	<ul style="list-style-type: none"> ● TUERCA AUTOBL.M-8 BAJA DIN 985 ZINC 0/000.340.9114 (u. 1)
15	<ul style="list-style-type: none"> ● CUBO RUEDA TRASERA EC 2018 BE59100GG-CLJ-1 (u. 1)

16	<ul style="list-style-type: none"> ● COJINETE 6004 2RS1 C160001 (u. 2)
17	<ul style="list-style-type: none"> ● DISTANCIADOR INTERIOR BUJE TRASERO ENDURO 2018 BE59105GG-CLJ-1 (u. 1)
18	<ul style="list-style-type: none"> ● DIST.RUEDA TRAS.IZQ.ENDURO 2018 0/000.480.9113 (u. 1)
19	<ul style="list-style-type: none"> ● PLATO ARRASTRE Z-49 CROSS 250 0/000.500.9100 (u. 1)
20	<ul style="list-style-type: none"> ● TUERCA AUTOBL + ARANDELA M8 ZINC 0/000.340.9119 (u. 6)
21	<ul style="list-style-type: none"> ● ALLEN CONICO 8X30 DIN 7991 ZINC 12.9 0/000.460.9153 (u. 6)
22	<ul style="list-style-type: none"> ● TUERCA RUEDA TRAS.ENDURO 2018 0/000.340.9104 (u. 1)
23	<ul style="list-style-type: none"> ● CADENA ABIERTA 135 ZRA 112 PASOS CON CLIP 0/001.050.9100 (u. 1)
24	<ul style="list-style-type: none"> ● ENGANCHE CADENA ENDURO 2018 BE57810GG-CLJ-1 (u. 1)
25	<ul style="list-style-type: none"> ● TUERCA RADIO TRASERO BE592153013 (u. 36)
26	<ul style="list-style-type: none"> ● RETEN RUEDA DEL.TT 25x42x7 C160710 (u. 1)
28	<ul style="list-style-type: none"> ● TENSOR CADENA CIEGO ENDURO 2018 0/000.380.9100 (u. 1)
29	<ul style="list-style-type: none"> ● TENSOR CADENA PASANTE ENDURO 2018 0/000.380.9101 (u. 1)
30	<ul style="list-style-type: none"> ● CTO.LLANTA TRASERA RADIADA GOLDSPEED NEGRA CUBO ROJO GP 2019 0/000.120.9101 (u. 1)
31	<ul style="list-style-type: none"> ● LLANTA TRAS.EXCEL NG.EC-2009 0/000.230.9103 (u. 1)
32	<ul style="list-style-type: none"> ● ANILLO SEGEER DIA.42 BE25618038 (u. 1)
33	<ul style="list-style-type: none"> ● ARANDELA SUPLEMENTO RODA.490.80.096 BE250318056 (u. 1)
35	<ul style="list-style-type: none"> ● KIT COJINETES I RETENES RUEDA TRAS. BE56000CT2510 (u. 1)

PLASTIC



	<ul style="list-style-type: none"> ● PORTAFARO DEL.EC 2018 BL. 0/000.620.9100 (u. 1) 	
1	<ul style="list-style-type: none"> ● PORTAFARO DEL.EC 2018 BL. BE90500GG-CLJ-1 (u. 1) ● PORTAFARO DEL.EC 2018 BL. BE90500GG-CLJ-1 (u. 1) 	
2	<ul style="list-style-type: none"> ● PLACA PORTANUMEROS DELANTERA CROSS COUNTRY 2018 BLANCA BE90500GG-MXC-1 (u. 1) 	
3	<ul style="list-style-type: none"> ● JUEGO PROT.HORQ.EC 2018 BL. BE94600CT-CLJ-1 (u. 1) 	
4	<ul style="list-style-type: none"> ● GUARDAB.DEL.EC 2018 ROJO BE91000GG-CLJ-1 (u. 1) 	
5	<ul style="list-style-type: none"> ● PORTAFARO DEL.EC 2018 BL. BE90500GG-CLJ-1 (u. 2) ● PORTAFARO DEL.EC 2018 BL. 0/000.620.9100 (u. 2) 	
6	<ul style="list-style-type: none"> ● CTO.GUARDAB.TRAS.EC 2018 BL. 0/000.060.9100 (u. 1) 	
7	<ul style="list-style-type: none"> ● GUARDABARROS TRASERO CROSS COUNTRY 2018 BLANCA BE93500GG-MXC-1 (u. 1) 	OBSOLETE
9	<ul style="list-style-type: none"> ● CTO.PARAMANOS ENDURO BLANCO(QWEST) 0/000.770.9100 (u. 1) 	
10	<ul style="list-style-type: none"> ● KIT PLACAS PROTECCION RADIADOR NEGRAS MR 0/K00.570.9102 (u. 1) 	
11	<ul style="list-style-type: none"> ● KIT PLACAS LATERALES PORTANUMEROS BLANCAS MR 0/K00.570.9101 (u. 1) 	
12	<ul style="list-style-type: none"> ● CTO. PLASTICA COMPLETO MR 2020 0/K00.570.9103 (u. 1) 	

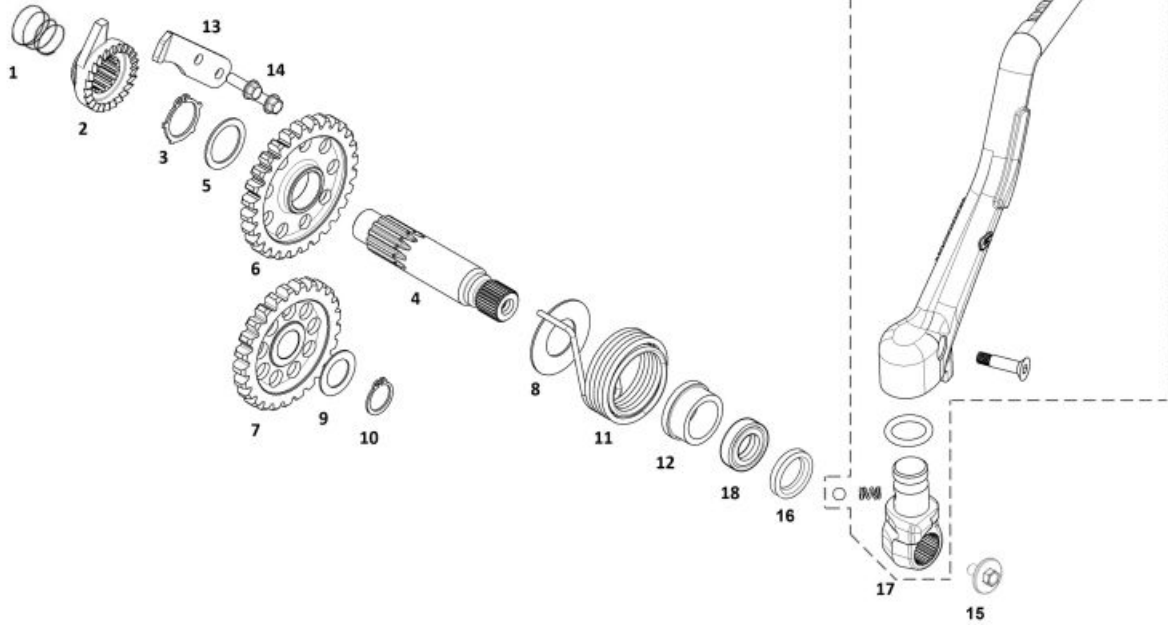
Accesorios



10	<ul style="list-style-type: none"> CAMISA HARD OFF ROAD 2021 TALLA XL 0/000.001.0273 (u. 1)
	<ul style="list-style-type: none"> CAMISA HARD OFF ROAD 2021 TALLA L 0/000.001.0272 (u. 1)
	<ul style="list-style-type: none"> CAMISA HARD OFF ROAD 2021 TALLA XXL 0/000.001.0274 (u. 1)
	<ul style="list-style-type: none"> CAMISA HARD OFF ROAD 2021 TALLA M 0/000.001.0271 (u. 1) - Camisa HARD OFF ROAD 2021
	<ul style="list-style-type: none"> CAMISA HARD OFF ROAD 2021 TALLA S 0/000.001.0270 (u. 1)
20	<ul style="list-style-type: none"> PANTALON HARD OFF ROAD 2021 TALLA L 0/000.001.0277 (u. 1)
	<ul style="list-style-type: none"> PANTALON HARD OFF ROAD 2021 TALLA XXL 0/000.001.0279 (u. 1)
	<ul style="list-style-type: none"> PANTALON HARD OFF ROAD 2021 TALLA XL 0/000.001.0278 (u. 1)
	<ul style="list-style-type: none"> PANTALON HARD OFF ROAD 2021 TALLA S 0/000.001.0275 (u. 1)
	<ul style="list-style-type: none"> PANTALON HARD OFF ROAD 2021 TALLA M 0/000.001.0276 (u. 1)
30	<ul style="list-style-type: none"> GUANTES HARD OFF ROAD 2021 TALLA L 0/000.001.0282 (u. 1)
	<ul style="list-style-type: none"> GUANTES HARD OFF ROAD 2021 TALLA S 0/000.001.0280 (u. 1)
	<ul style="list-style-type: none"> GUANTES HARD OFF ROAD 2021 TALLA M 0/000.001.0281 (u. 1)
	<ul style="list-style-type: none"> GUANTES HARD OFF ROAD 2021 TALLA XL 0/000.001.0283 (u. 1)
	<ul style="list-style-type: none"> GUANTES HARD OFF ROAD 2021 TALLA XXL 0/000.001.0284 (u. 1)

XC 2T 2019 - Engine

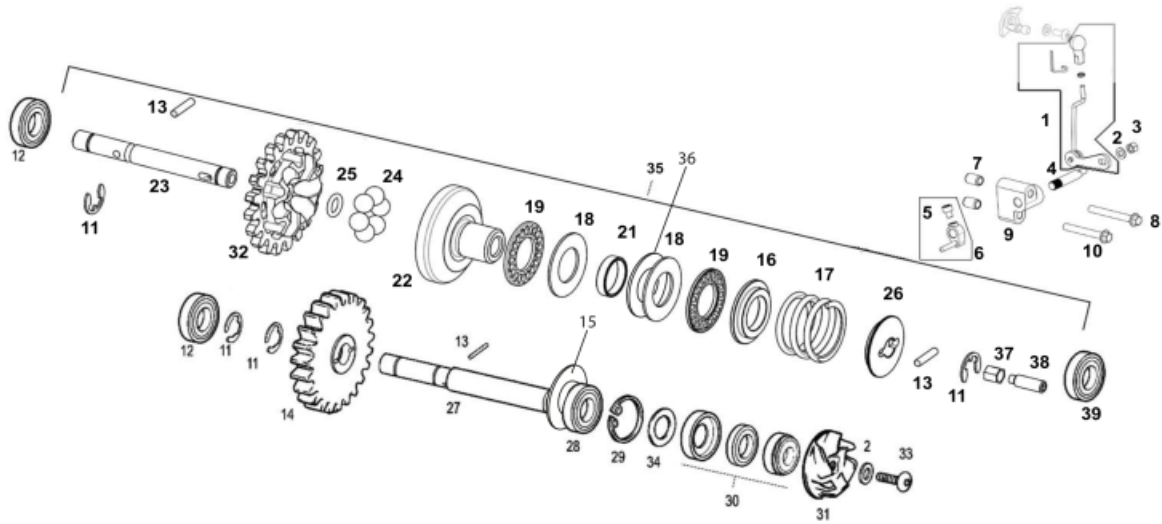
Palanca de arranque



1	<ul style="list-style-type: none"> MUELLE TRINQUETE ARRANQUE ME25636006 (u. 1) 	OBSOLETE
	<ul style="list-style-type: none"> MUELLE TRINQUETE ARRANQUE 0/000.470.9109 (u. 1) 	
2	<ul style="list-style-type: none"> TRINQUETE ARRANQUE EC125cc 0/005.400.9110 (u. 1) 	OBSOLETE
	<ul style="list-style-type: none"> TRINQUETE ARRANQUE EC125cc ME120126004 (u. 1) 	
3	<ul style="list-style-type: none"> SEEGER DE 20 ARRANQUE=M03615000 ME25636052 (u. 1) 	OBSOLETE
	<ul style="list-style-type: none"> SEEGER D.20 DIN 471 0/000.300.9105 (u. 1) 	
4	<ul style="list-style-type: none"> EJE ARRANQUE EC-2001 ME250126003 (u. 1) 	OBSOLETE
	<ul style="list-style-type: none"> EJE ARRANQUE EC-2001 0/005.400.9106 (u. 1) 	
5	<ul style="list-style-type: none"> ARAN.TOPE 27X20.2X1 DESPL ARRAN. 0/000.440.9109 (u. 1) 	OBSOLETE
	<ul style="list-style-type: none"> ARAN.TOPE 27X20.2X1 DESPL ARRAN. ME25636000 (u. 1) 	
6	<ul style="list-style-type: none"> PIÑON ARRANQUE EC-2001 ME250126002 (u. 1) 	OBSOLETE
	<ul style="list-style-type: none"> PIÑON ARRANQUE EC-2001 0/005.400.9105 (u. 1) 	
7	<ul style="list-style-type: none"> PIÑON INT.ARRANQUE EC-2008 ME880002508 (u. 1) 	OBSOLETE
	<ul style="list-style-type: none"> PIÑON INT.ARRANQUE EC-2008 0/005.400.9108 (u. 1) 	
8	<ul style="list-style-type: none"> ARANDELA ARRANQUE 20X40X1 ME25636051 (u. 1) 	OBSOLETE
	<ul style="list-style-type: none"> ARANDELA ARRANQUE 20X40X1 0/000.440.9111 (u. 1) 	

9	<ul style="list-style-type: none"> VOLANDERA PIÑON ARRAN.24X15.15X0.8 ME25636012 (u. 1) 	OBSOLETE
	<ul style="list-style-type: none"> VOLANDERA PIÑON ARRAN.24X15.15X0.8 0/000.440.9110 (u. 1) 	
10	<ul style="list-style-type: none"> SEEGER D.15MM DIN 471 0/000.300.9101 (u. 1) 	OBSOLETE
	<ul style="list-style-type: none"> SEEGER D 15MM DIN 471 PIÑON INT.ARRANQUE M02623000 (u. 1) 	
11	<ul style="list-style-type: none"> MUELLE ARRANQUE 0/000.470.9110 (u. 1) 	OBSOLETE
	<ul style="list-style-type: none"> MUELLE ARRANQUE ME86000GG-CAB-1 (u. 1) 	
12	<ul style="list-style-type: none"> CASQ.CENTRADOR MUELLE ARRANQUE 0/000.480.9125 (u. 1) 	OBSOLETE
	<ul style="list-style-type: none"> CASQ.CENTRADOR MUELLE ARRANQUE ME86500GG-CAB-1 (u. 1) 	
13	<ul style="list-style-type: none"> PLATINA TRINQUETE ARRANQUE ME25636005 (u. 1) 	OBSOLETE
	<ul style="list-style-type: none"> PLATINA TRINQUETE ARRANQUE 0/000.980.9114 (u. 1) 	
14	<ul style="list-style-type: none"> TORN.ESP.+ARAND.5x15 DIN 6921 GEOMET 10.9 0/000.460.9115 (u. 2) 	OBSOLETE
	<ul style="list-style-type: none"> TORN.ESP.+ARAND.5x15 ZI T0205015 (u. 2) 	
15	<ul style="list-style-type: none"> TORNILLO ESPECIAL 6X11 GEOMET 10.9 0/000.460.9134 (u. 1) 	OBSOLETE
	<ul style="list-style-type: none"> TORNILLO ESPECIAL 6X11 10.9 T0226011 (u. 1) 	
16	<ul style="list-style-type: none"> CASQ.TOPE PEDAL ARRANQUE EC 2014 0/000.480.9126 (u. 1) 	OBSOLETE
	<ul style="list-style-type: none"> CASQ.TOPE PEDAL ARRANQUE EC 2014 ME89025GG-CAB-1 (u. 1) 	
17	<ul style="list-style-type: none"> CTO.PEDAL ARRANQUE 0/005.430.9101 (u. 1) 	OBSOLETE
	<ul style="list-style-type: none"> CTO.PEDAL ARRANQUE ME89000CT2511 (u. 1) 	
	<ul style="list-style-type: none"> PEDAL ARRANQUE Y MUÑEQUILLA EC 250 4T 20 MFS890002510 (u. 1) 	
18	<ul style="list-style-type: none"> RETEN PEDAL ARRAN.20X30X7 ME25632021 (u. 1) 	OBSOLETE
	<ul style="list-style-type: none"> RETEN PEDAL ARRAN.20X30X7 0/000.890.9105 (u. 1) 	

Bomba de agua

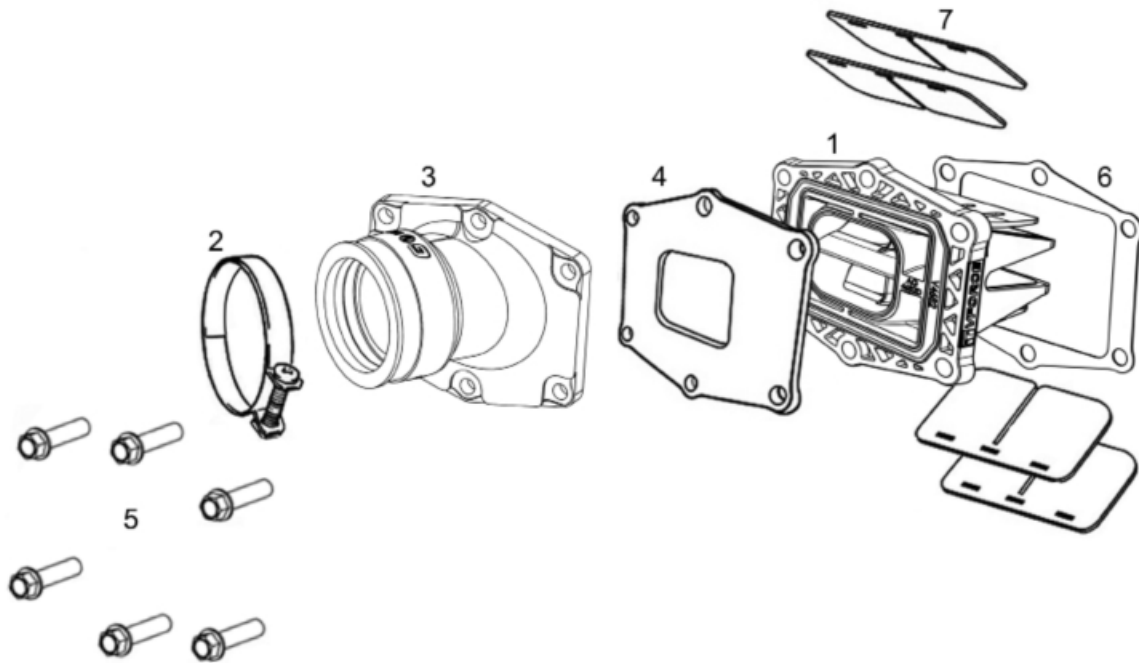


1	<ul style="list-style-type: none"> CTO.VARILLA VALV.ESCAPE COMPLETO EC 2015 0/000.640.9104 (u. 1) CTO.VARILLA VALV.ESCAPE COMPLETO EC 2015 ME72325CT-CEQ-1 (u. 1) 	OBSOLETE
2	<ul style="list-style-type: none"> ARANDELA 5X12X1.5 DIN 125A ZINC 0/000.440.9121 (u. 2) ARANDELA 5X12X1.5 T4005012 (u. 2) 	OBSOLETE
3	<ul style="list-style-type: none"> TUERCA AUTOBL.DIN-985 M-5 ZN BAJA T2105000 (u. 1) TUERCA AUTOBL. M-5 BAJA DIN-985 ZINC 8 0/000.340.9112 (u. 1) 	OBSOLETE
4	<ul style="list-style-type: none"> EJE PALANCA CENTRIFUGO ME59035GG-CEQ-1 (u. 1) EJE PALANCA CENTRIFUGO 0/000.190.9108 (u. 1) 	OBSOLETE
5	<ul style="list-style-type: none"> ALLEN 5 X 6 (12.9) T0305006 (u. 1) 	OBSOLETE
6	<ul style="list-style-type: none"> CTO.PALANCA SALIDA CENTRIF. EC 300 2011 0/005.490.9101 (u. 1) CTO.PALANCA SALIDA CENTRIF. EC 300 2011 ME59045CT-CEQ-1 (u. 1) 	OBSOLETE
7	<ul style="list-style-type: none"> CASQ.CENTRADOR CARTER 6X9X14 =ME25610018 M01017000 (u. 2) CASQ.CENTRADOR CARTER 6X9X14 =ME25610018 0/000.480.9119 (u. 2) 	OBSOLETE
8	<ul style="list-style-type: none"> TORN.ESP.6x60 Fil.20 10.9 T0206060 (u. 1) TORN.ESP.6x60 Fil.20 DELTA PROTEK 10.9 0/000.460.9128 (u. 1) 	OBSOLETE
9	<ul style="list-style-type: none"> SOPORTE EJE MANDO VALVULA EC 2015 ME59040GG-CEQ-1 (u. 1) SOPORTE EJE MANDO VALVULA EC 2015 0/000.980.9115 (u. 1) 	OBSOLETE

10	<ul style="list-style-type: none"> TORN.ESP.6x40 Fil.20 T0206040 (u. 1) 	OBSOLETE
	<ul style="list-style-type: none"> TORN.ESP.6x40 Fil.20 GEOMET 10.9 0/000.460.9125 (u. 1) 	
11	<ul style="list-style-type: none"> SEEGER DIN 6799 E-7 ME25616024 (u. 4) 	OBSOLETE
	<ul style="list-style-type: none"> SEEGER DIN 6799 E-7 0/000.300.9103 (u. 4) 	
12	<ul style="list-style-type: none"> RODA.EJE CENTRI.Y BOMBA 608.Z.C3 ME25616032 (u. 2) 	OBSOLETE
	<ul style="list-style-type: none"> RODA.EJE CENTRI.Y BOMBA 608.Z.C3 0/000.960.9108 (u. 2) 	
13	<ul style="list-style-type: none"> RODILLO 3X14 BOMBA AGUA CENTRI. ME25616028 (u. 3) 	OBSOLETE
	<ul style="list-style-type: none"> RODILLO 3X14 .DIN 7 ISO 2338 INOX A1 BOMBA AGUA CENTRIFUGO 0/000.280.9101 (u. 3) 	
14	<ul style="list-style-type: none"> PIÑON BOMBA AGUA Y CENTRI. 0/005.400.9111 (u. 1) 	OBSOLETE
	<ul style="list-style-type: none"> PIÑON BOMBA AGUA Y CENTRI. ME25610005 (u. 1) 	
15	<ul style="list-style-type: none"> ARANDELA DIAM.10 X DIAM.19 X 0,5 0/000.440.9113 (u. 1) 	OBSOLETE
	<ul style="list-style-type: none"> ARANDELA DIAM.10 X DIAM.19 X 0,5 MFS450526516 (u. 1) 	
16	<ul style="list-style-type: none"> RETEN RESORTE ME59026GG-CEQ-1 (u. 1) - 250cc / 300cc 	
17	<ul style="list-style-type: none"> MUELLE CENTRIFUGO VALV.ESC.99 ME25916026 (u. 1) - 250cc / 300cc 	
18	<ul style="list-style-type: none"> PLACA AGUJA ROD.BOLET Y VAL.ESCAPE AS 15 ME25632016 (u. 2) 	OBSOLETE
	<ul style="list-style-type: none"> PLACA AGUJA ROD.BOLET Y VAL.ESCAPE AS 15 0/000.440.9107 (u. 2) 	
19	<ul style="list-style-type: none"> JAULA AGUJA VALV.ESCAPE AXK 1528 ME25632046 (u. 2) 	OBSOLETE
	<ul style="list-style-type: none"> JAULA AGUJA VALV.ESCAPE AXK 1528 0/000.960.9109 (u. 2) 	
21	<ul style="list-style-type: none"> SEP.COJINETE CENTRIFUGO ME25616008 (u. 1) 	
22	<ul style="list-style-type: none"> CAMPANA CENTRIFUGO EC 2015 ME59030GG-CEQ-1 (u. 1) 	
23	<ul style="list-style-type: none"> EJE CENTRIFUGO EC 2015 ME59015GG-CEQ-1 (u. 1) 	
24	<ul style="list-style-type: none"> BOLA CENTRIFUGO EMB.DE 8 m/m. ME25616033 (u. 6) 	
25	<ul style="list-style-type: none"> TORICA 6X2 EJE CENTR.VAL.ESCAPE ME25616045 (u. 1) 	
26	<ul style="list-style-type: none"> ARAMDELA APYO MUELLE EC 300 2015 ME59025GG-CEQ-1 (u. 1) - 250cc / 300cc 	
27	<ul style="list-style-type: none"> EJE PIÑON BOMBA AGUA ME25610006 (u. 1) 	OBSOLETE
	<ul style="list-style-type: none"> EJE PIÑON BOMBA AGUA 0/000.190.9104 (u. 1) 	
28	<ul style="list-style-type: none"> RODAM.BOMBA AGUA 6000C3Z =M03313001 ME25610010 (u. 1) 	OBSOLETE
	<ul style="list-style-type: none"> RODAM.BOMBA AGUA 6000C3Z =M03313001 0/000.960.9107 (u. 1) 	

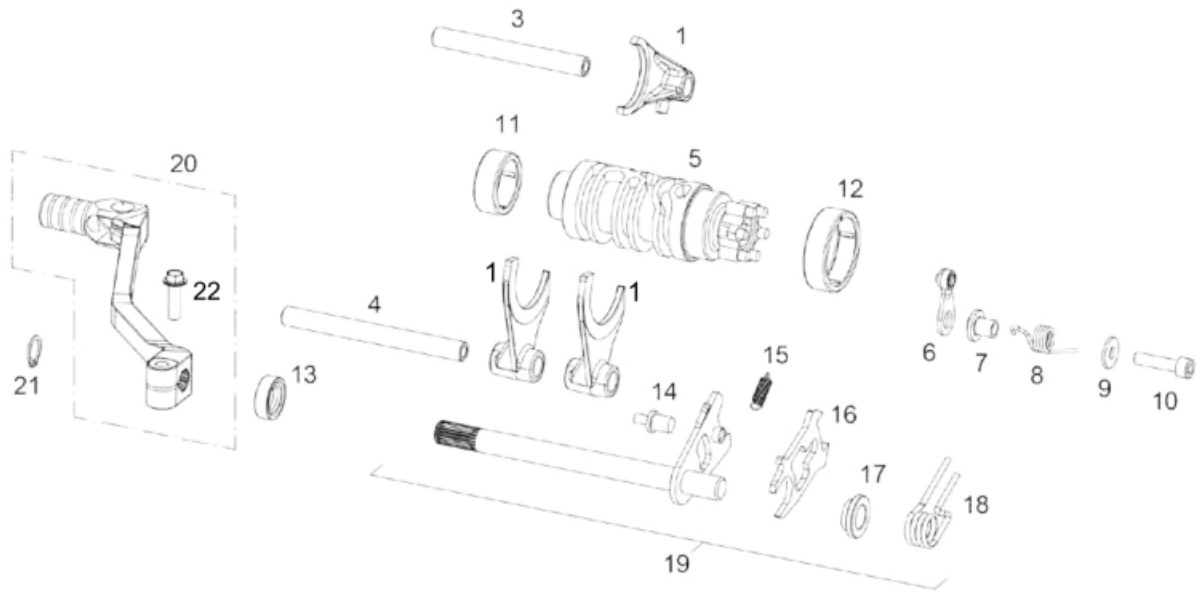
29	<ul style="list-style-type: none"> SEEGER D.26 DIN 472-I26 0/000.300.9106 (u. 1) 	
	<ul style="list-style-type: none"> SEEGER INT.26 B.AGUA=M03314012 DIN 472-I26 ME25636065 (u. 1) 	OBSOLETE
30	<ul style="list-style-type: none"> RETEN BOMBA AGUA (ESTOPADA) 1510 CA/CE 1 0/000.890.9104 (u. 1) 	
	<ul style="list-style-type: none"> RETEN BOMBA AGUA (ESTOPADA) 1510 CA/CE 1 ME25610011 (u. 1) 	OBSOLETE
31	<ul style="list-style-type: none"> TURBINA BOMBA AGUA 2014 ME56000GG-CAB-1 (u. 1) 	OBSOLETE
	<ul style="list-style-type: none"> TURBINA BOMBA AGUA 2014 0/005.220.9100 (u. 1) 	
32	<ul style="list-style-type: none"> PIÑÓN CENTRIFUGO EC 300 2015 ME59050GG-CEQ-1 (u. 1) 	
33	<ul style="list-style-type: none"> TORNILLO ULS 6X16 ISO 7380-1 ZINC 12.9 T0506016 (u. 1) 	OBSOLETE
34	<ul style="list-style-type: none"> ARANDELA 25.8x17.5x0.5 BOMBA AGUA 0/000.440.9103 (u. 1) 	
	<ul style="list-style-type: none"> ARANDELA 25.8x17.5x0.5 BOMBA AGUA M03625000 (u. 1) 	OBSOLETE
35	<ul style="list-style-type: none"> CENTRIFUGO COMPLETO EC 300 2015 0/000.640.9101 (u. 1) 	
	<ul style="list-style-type: none"> CENTRIFUGO COMPLETO EC 300 2015 ME59000CT-CEQ-1 (u. 1) - 250cc / 300cc 	OBSOLETE
36	<ul style="list-style-type: none"> ARANDELA 15X28X0.8 Y00.25406408 (u. 1) 	OBSOLETE
37	<ul style="list-style-type: none"> TUERCA HEXAGONAL 6 M5 T2706050 (u. 1) 	
38	<ul style="list-style-type: none"> TORNILLO DE AJUSTE HEXA.INT.M5X16 T0325016 (u. 1) 	OBSOLETE
39	<ul style="list-style-type: none"> RODAMIENTO BOL. 619/8-ZZ ME21500GG-CEQ-1 (u. 1) 	OBSOLETE
	<ul style="list-style-type: none"> RODAMIENTO BOL. 619/8-ZZ 0/000.960.9105 (u. 1) 	

Válvula de láminas



1	<ul style="list-style-type: none"> CAJA LAMINAS V-FORCE 4 0/005.600.9100 (u. 1) 	
	<ul style="list-style-type: none"> CAJA LAMINAS V-FORCE 4 ME25000GG-CAB-1 (u. 1) 	OBSOLETE
2	<ul style="list-style-type: none"> ABRAZ.S56/9 W1 ZINC 0/000.680.9109 (u. 1) 	
	<ul style="list-style-type: none"> ABRAZ.S56/9 W1 MT280316132 (u. 1) 	OBSOLETE
3	<ul style="list-style-type: none"> TUBERA ADMISION ENDURO 2018 0/000.290.9116 (u. 1) 	
	<ul style="list-style-type: none"> TUBERA ADMISION ENDURO 2018 ME26000GG-CLJ-1 (u. 1) 	OBSOLETE
4	<ul style="list-style-type: none"> JUNTA CAJA LAMINAS TUBERA ENDURO 2018 ME44105GG-CLJ-1 (u. 1) 	OBSOLETE
	<ul style="list-style-type: none"> JUNTA CAJA LAMINAS TUBERA ENDURO 2018 0/000.490.9114 (u. 1) 	
5	<ul style="list-style-type: none"> TORN.ESP.6X25 DIN 6921 GEOMET 10.9 VALONA 11MM 0/000.460.9121 (u. 6) 	
	<ul style="list-style-type: none"> TORN.ESP.6X25(10.9) VALONA 11MM T0206025 (u. 6) 	OBSOLETE
6	<ul style="list-style-type: none"> JUNTA CAJA LAMINAS- CARTER V-FORCE 4 0/000.490.9120 (u. 1) 	
	<ul style="list-style-type: none"> JUNTA CAJA LAMINAS- CARTER V-FORCE 4 ME94600GG-CAB-1 (u. 1) 	OBSOLETE
7	<ul style="list-style-type: none"> JUEGO LAMINAS ADMISION ME27000GG-CAB-1 (u. 2) 	

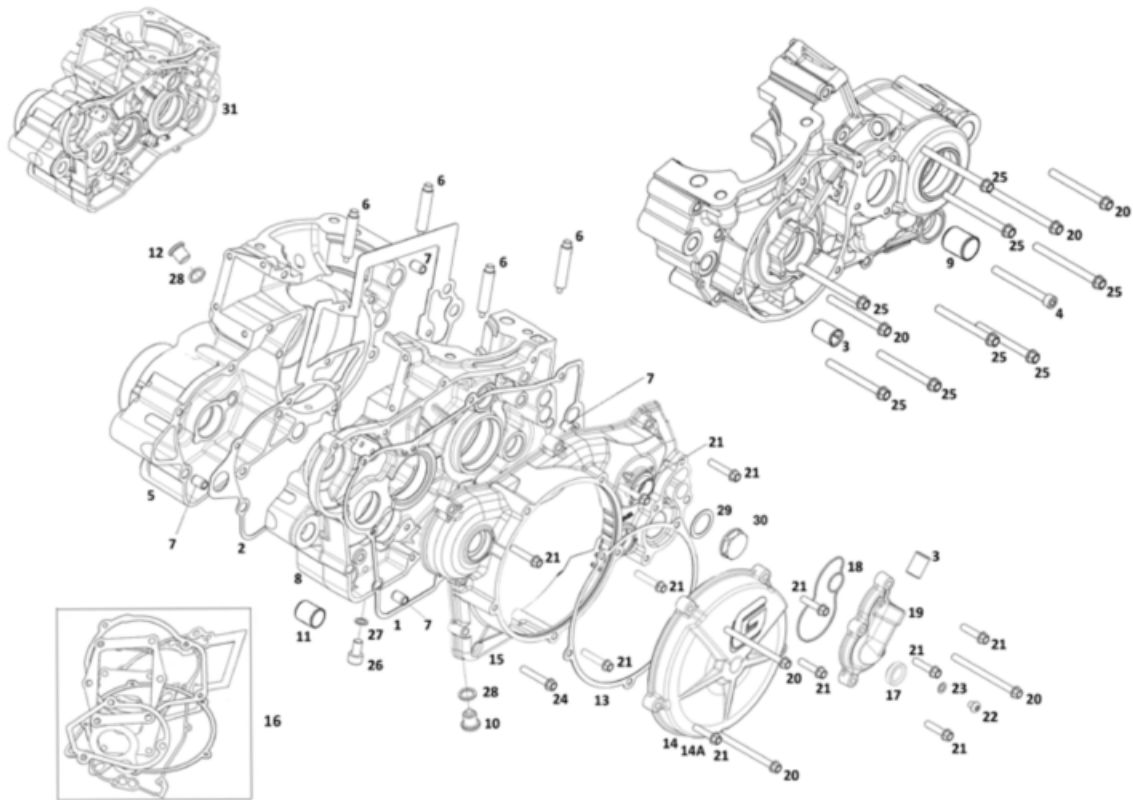
Eje de Cambio



1	<ul style="list-style-type: none"> KIT HORQUILLAS PRIMARIO Y SECUNDARIO ENDURO 2018 ME47000CT-CLJ-1 (u. 1) 	
3	<ul style="list-style-type: none"> EJE HORQ.CORTO ME25636045 (u. 1) EJE HORQ.CORTO 0/000.190.9107 (u. 1) 	OBSOLETE
4	<ul style="list-style-type: none"> EJE HORQ.LARGO ME25636044 (u. 1) EJE HORQ.LARGO 0/000.190.9106 (u. 1) 	OBSOLETE
5	<ul style="list-style-type: none"> DESMODROMICO EC-2005 0/005.090.9100 (u. 1) DESMODROMICO EC-2005 ME250536031 (u. 1) 	OBSOLETE
6	<ul style="list-style-type: none"> FIJADOR MARCHAS EC COMP. ME250036033CT (u. 1) FIJADOR MARCHAS EC COMP. 0/005.560.9100 (u. 1) 	OBSOLETE
7	<ul style="list-style-type: none"> CASQU.PLATINA FIJ.MARCHAS ME25636047 (u. 1) CASQU.PLATINA FIJ.MARCHAS 0/000.480.9122 (u. 1) 	OBSOLETE
8	<ul style="list-style-type: none"> MUELLE FIJADOR MARCHAS EC-2000 ME250036034 (u. 1) MUELLE FIJADOR MARCHAS EC-2000 0/000.470.9108 (u. 1) 	OBSOLETE
9	<ul style="list-style-type: none"> ARANDELA PLANA 6.5X16X1.5 DIN 125 ZINC 0/000.440.9125 (u. 1) ARANDELA PLANA 6.5X16X1.5 T4006016 (u. 1) 	OBSOLETE
10	<ul style="list-style-type: none"> TORN.ESP.6X25 DIN 6921 GEOMET 10.9 VALONA 11MM 0/000.460.9121 (u. 1) TORN.ESP.6X25(10.9) VALONA 11MM T0206025 (u. 1) 	OBSOLETE

11	<ul style="list-style-type: none"> RODAM.DESMODROMICO HK2512 =M03645000 0/000.960.9111 (u. 1) 	
	<ul style="list-style-type: none"> RODAM.DESMODROMICO HK2512 =M03645000 ME25636055 (u. 1) 	OBSOLETE
12	<ul style="list-style-type: none"> ROD.DESMO.HK3512=M03650000 ME25636054 (u. 1) 	OBSOLETE
	<ul style="list-style-type: none"> ROD.DESMO.HK3512=M03650000 0/000.960.9110 (u. 1) 	
13	<ul style="list-style-type: none"> RETEN SELEC.12-22-7 AS-CC =M03821000 0/000.890.9107 (u. 1) 	
	<ul style="list-style-type: none"> RETEN SELEC.12-22-7 AS-CC =M03821000 ME25636048 (u. 1) 	OBSOLETE
14	<ul style="list-style-type: none"> TORN.CENTR.MUELLE SELEC. ME25636042 (u. 2) 	OBSOLETE
	<ul style="list-style-type: none"> TORN.CENTR.MUELLE SELEC. 0/000.460.9110 (u. 2) 	
15	<ul style="list-style-type: none"> MUELLE ESCORPION 250.TT. ME25636039 (u. 1) 	
16	<ul style="list-style-type: none"> ESCORPION EC250-2002 ME250236036 (u. 1) 	
17	<ul style="list-style-type: none"> DOLLA CENTRADOR ESCORPION EC250-2002 ME250236041 (u. 1) 	
18	<ul style="list-style-type: none"> MUELLE SELEC. ME25636035 (u. 1) 	
19	<ul style="list-style-type: none"> EJE SELEC.COMP.EC250 0/005.010.9100 (u. 1) 	
	<ul style="list-style-type: none"> EJE SELEC.COMP.EC250 ME250236038CT (u. 1) 	OBSOLETE
20	<ul style="list-style-type: none"> CTO.PEDAL CAMBIO RF 2014 0/005.430.9100 (u. 1) 	
	<ul style="list-style-type: none"> CTO.PEDAL CAMBIO RF 2014 ME49000CT-CDH-1 (u. 1) 	OBSOLETE
21	<ul style="list-style-type: none"> SEEGER 12X1 DIN 471 0/000.300.9104 (u. 1) 	
	<ul style="list-style-type: none"> SEEGER 12X1 EXT.EJE SELEC. ME25636043 (u. 1) 	OBSOLETE
22	<ul style="list-style-type: none"> TORN.ESP.6x20 10.9 ZINC.(CEX) T0206020 (u. 1) 	OBSOLETE
	<ul style="list-style-type: none"> TORN.ESP.6x20 DIN 6921 GEOMET 10.9 0/000.460.9120 (u. 1) 	

Cárter de Motor

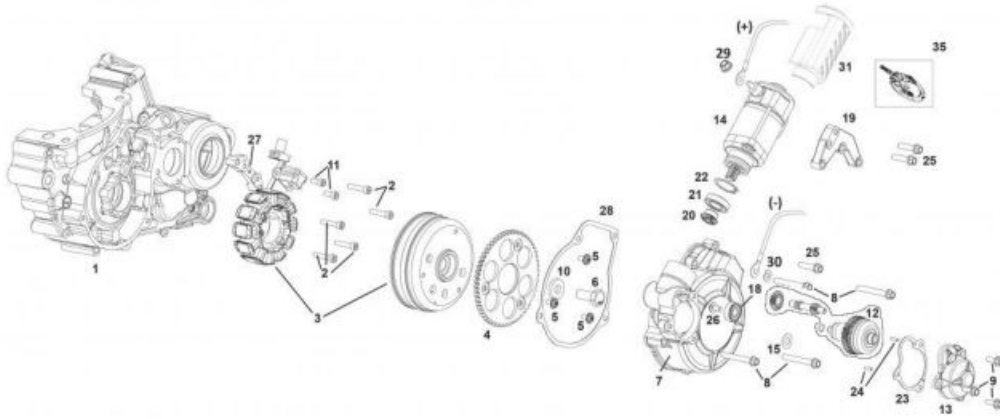


1	<ul style="list-style-type: none"> JUNTA TAPA EMBR.0.5mm 0/000.490.9108 (u. 1) 	
	<ul style="list-style-type: none"> JUNTA TAPA EMBR.0.5mm ME25644002 (u. 1) 	OBSOLETE
2	<ul style="list-style-type: none"> JUNTA CARTER 2018 ME94000GG-CLJ-1 (u. 1) 	OBSOLETE
	<ul style="list-style-type: none"> JUNTA CARTER 2018 0/000.490.9118 (u. 1) 	
3	<ul style="list-style-type: none"> RACORD ENTRADA AGUA 0/000.480.9123 (u. 2) 	
	<ul style="list-style-type: none"> RACORD ENTRADA AGUA ME57015GG-CAB-1 (u. 2) 	OBSOLETE
4	<ul style="list-style-type: none"> ALLEN 6X60 12.9 T0306060 (u. 1) 	OBSOLETE
	<ul style="list-style-type: none"> ALLEN 6X60 DIN 912 ZINC 12.9 0/000.460.9150 (u. 1) 	
6	<ul style="list-style-type: none"> ESPARRAGO CIL. 0/000.280.9100 (u. 4) 	
	<ul style="list-style-type: none"> ESPARRAGO CIL. ME25616023 (u. 4) 	OBSOLETE
7	<ul style="list-style-type: none"> CASQ.CENTRADOR CARTER 6X9X14 =ME25610018 M01017000 (u. 4) 	OBSOLETE
	<ul style="list-style-type: none"> CASQ.CENTRADOR CARTER 6X9X14 =ME25610018 0/000.480.9119 (u. 4) 	
9	<ul style="list-style-type: none"> GLACIER PEDAL FRENO 1215PD10 C200101 (u. 1) 	OBSOLETE
	<ul style="list-style-type: none"> GLACIER PEDAL FRENO 1215PD10 0/000.480.9117 (u. 1) 	

10	<ul style="list-style-type: none"> TAPON VACIADO ACEITE HEXAGONAL-COLOR 0/000.410.9104 (u. 1) 	
	<ul style="list-style-type: none"> TAPON VACIADO ACEITE HEXAGONAL-COLOR TITANIO ME10910GG-CSK-1 (u. 1) 	OBSOLETE
11	<ul style="list-style-type: none"> GLACIER PEDAL DAP 1212PD BE25610009 (u. 1) 	OBSOLETE
	<ul style="list-style-type: none"> GLACIER PEDAL DAP 1212PD 0/000.480.9105 (u. 1) 	
12	<ul style="list-style-type: none"> TAPON LLENDO ACEITE HEXAGONAL-COLOR TITANIO ME10900GG-CSK-1 (u. 1) 	OBSOLETE
	<ul style="list-style-type: none"> TAPON LLENDO ACEITE HEXAGONAL-COLOR TITANIO 0/000.410.9103 (u. 1) 	
13	<ul style="list-style-type: none"> JUNTA TAPA DISCOS 2014 0/000.490.9104 (u. 1) 	
	<ul style="list-style-type: none"> JUNTA TAPA DISCOS 2014 ME22015GG-CAB-1 (u. 1) 	OBSOLETE
14	<ul style="list-style-type: none"> TAPA DISCOS EMBRAGUE GRIS ME22010GG-CLJ-1 (u. 1) 	OBSOLETE
	<ul style="list-style-type: none"> TAPA DISCOS EMBRAGUE GRIS 0/000.350.9105 (u. 1) 	
15	<ul style="list-style-type: none"> TAPA EMBRAGUE GRIS RAL (9006) 0/000.350.9107 (u. 1) 	
	<ul style="list-style-type: none"> TAPA EMBRAGUE GRIS RAL (9006) ME65000CT-CLJ-1 (u. 1) 	OBSOLETE
16	<ul style="list-style-type: none"> KIT JUNTAS MOTOR ENDURO 2018 ME94610CT-CLJ-1 (u. 1) 	
17	<ul style="list-style-type: none"> VISOR NIVEL ACEITE EC400-4T 0/000.410.9106 (u. 1) 	
	<ul style="list-style-type: none"> VISOR NIVEL ACEITE EC400-4T MFS400110015 (u. 1) 	OBSOLETE
18	<ul style="list-style-type: none"> JUNTA TAPA BOMBA AGUA 2014 0/000.490.9115 (u. 1) 	
	<ul style="list-style-type: none"> JUNTA TAPA BOMBA AGUA 2014 ME57010GG-CAB-1 (u. 1) 	OBSOLETE
19	<ul style="list-style-type: none"> TAPA BOMBA AGUA 0/000.220.9124 (u. 1) 	
	<ul style="list-style-type: none"> TAPA BOMBA AGUA GRIS ME57000GG-CLJ-1 (u. 1) 	OBSOLETE
	<ul style="list-style-type: none"> TAPA BOMBA AGUA 0/000.220.9124 (u. 1) 	
	<ul style="list-style-type: none"> TAPA BOMBA AGUA GRIS 0/000.350.9106 (u. 1) 	OBSOLETE
20	<ul style="list-style-type: none"> TORN.ESP.6X75 DELTA PROTEK 12.9 0/000.460.9129 (u. 6) 	
	<ul style="list-style-type: none"> TORN.ESP.6X75 10.9 DRACOMET T0206075 (u. 6) 	OBSOLETE
21	<ul style="list-style-type: none"> TORN.ESP.6X25(10.9) VALONA 11MM T0206025 (u. 11) 	OBSOLETE
	<ul style="list-style-type: none"> TORN.ESP.6X25 DIN 6921 GEOMET 10.9 VALONA 11MM 0/000.460.9121 (u. 11) 	
22	<ul style="list-style-type: none"> TORN.ESP.6X10+ARANDELA GEOMET 10.9 0/000.460.9133 (u. 1) 	
	<ul style="list-style-type: none"> TORN.ESP.6X10+ARANDELA T0226010 (u. 1) 	OBSOLETE

23	<ul style="list-style-type: none"> ARANDELA COBRE 6X10X1.5 TORN.VAC.AGUA CI 0/000.440.9122 (u. 1) 	
	<ul style="list-style-type: none"> ARANDELA COBRE 6X10X1.5 TORN.VAC.AGUA CI T4006008 (u. 1) 	OBSOLETE
24	<ul style="list-style-type: none"> TORN.ESP.M6X35 T0206035 (u. 1) 	OBSOLETE
	<ul style="list-style-type: none"> TORN.ESP.M6X35 DIN 6921 GEOMET 0/000.460.9124 (u. 1) 	
25	<ul style="list-style-type: none"> TORN.ESP.6x60 Fil.20 DELTA PROTEK 10.9 0/000.460.9128 (u. 8) 	
	<ul style="list-style-type: none"> TORN.ESP.6x60 Fil.20 10.9 T0206060 (u. 8) 	OBSOLETE
26	<ul style="list-style-type: none"> ALLEN 8X14 T0308014 (u. 1) 	OBSOLETE
27	<ul style="list-style-type: none"> ARANDELA COBRE 8X12X1,5 DIN 125 A ISO 7089 0/000.440.9128 (u. 1) 	
	<ul style="list-style-type: none"> ARANDELA COBRE 8X12X1,5 TORN.VAC.CAM.PRE T4008012 (u. 1) 	OBSOLETE
28	<ul style="list-style-type: none"> ARANDELA TIPO BUJIA 12X18X2 0/000.440.9114 (u. 2) 	
	<ul style="list-style-type: none"> ARANDELA TIPO BUJIA 12X18X2 MT280410030 (u. 2) 	OBSOLETE
29	<ul style="list-style-type: none"> Torica 20 x 1.5 NBR 70 ME65110GG-CEQ-1 (u. 1) 	OBSOLETE
	<ul style="list-style-type: none"> Torica 20 x 1.5 NBR 70 0/000.490.9116 (u. 1) 	
30	<ul style="list-style-type: none"> TAPON REGLAJE CENTRIFUGO 0/000.410.9105 (u. 1) 	
	<ul style="list-style-type: none"> TAPON REGLAJE CENTRIFUGO ME65100GG-CEQ-1 (u. 1) 	OBSOLETE
31	<ul style="list-style-type: none"> CTO.CARTERS ENDURO 300 2018 ME10000CT-CLJ-1 (u. 1) - 250cc / 300cc 	
32	<ul style="list-style-type: none"> CASQ.CENTRADOR CARTER 6X9X14 =ME25610018 0/000.480.9119 (u. 2) 	
	<ul style="list-style-type: none"> CASQ.CENTRADOR CARTER 6X9X14 =ME25610018 M01017000 (u. 2) 	OBSOLETE

Generador

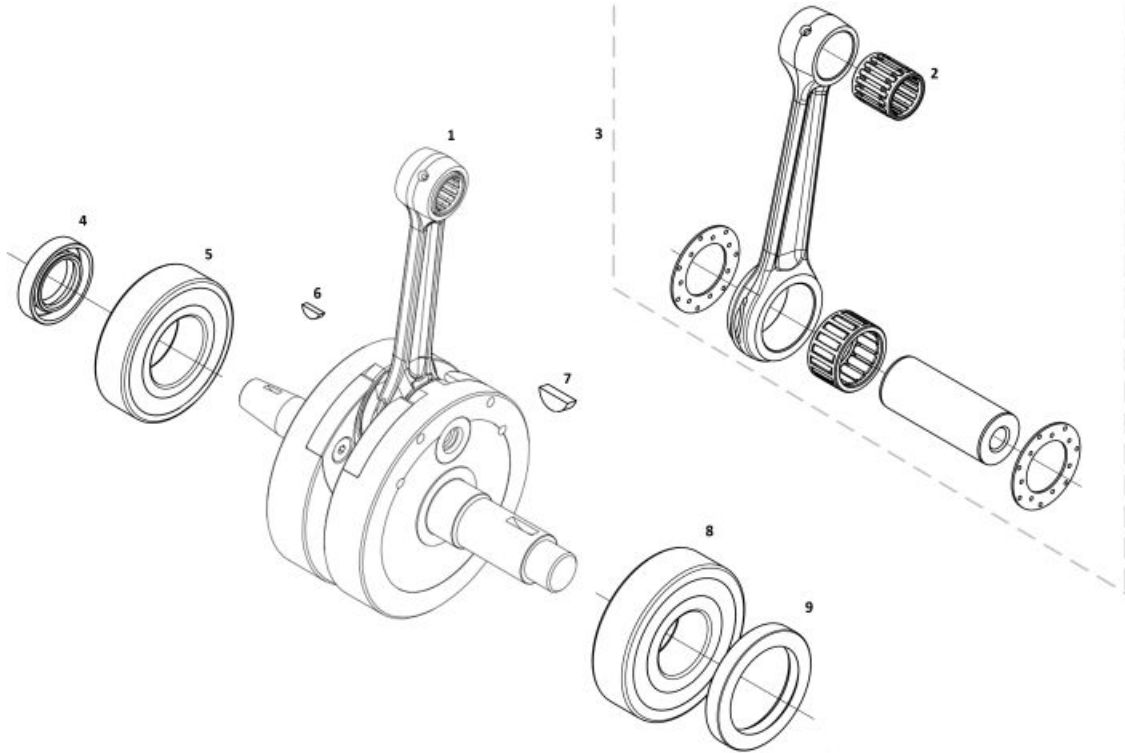


1	<ul style="list-style-type: none"> KIT ARRANQUE ELECTRICO EC 2015 EE80000CT-CBR-3 (u. 1) 	OBSOLETE
	<ul style="list-style-type: none"> KIT ARRANQUE ELECTRICO EC 2015 0/005.480.9101 (u. 1) 	
2	<ul style="list-style-type: none"> ALLEN 5X25 8.8 DRACOMET T0305025 (u. 5) 	OBSOLETE
	<ul style="list-style-type: none"> ALLEN 5X25 DIN 912 DRACOMET 8.8 0/000.460.9146 (u. 5) 	
3	<ul style="list-style-type: none"> KIT VOLANTE MAGNETICO EC 250-300 2019 EE70000CT-CSK-1 (u. 1) 	
4	<ul style="list-style-type: none"> CORONA ARRANQUE ELECTRICO EC 2015 0/005.400.9102 (u. 1) 	OBSOLETE
	<ul style="list-style-type: none"> CORONA ARRANQUE ELECTRICO EC 2015 EE80200GG-CBR-2 (u. 1) 	
5	<ul style="list-style-type: none"> TORX CABEZA ABOM.ARANDELA 5X8 ISO 7380-2 10.9 0/000.460.9154 (u. 3) 	OBSOLETE
	<ul style="list-style-type: none"> TORX CABEZA ABOM.ARANDELA 5X8 050808BB (u. 3) 	
	<ul style="list-style-type: none"> TORX CABEZA ABOM.ARANDELA 5X8 T0455008 (u. 3) 	
6	<ul style="list-style-type: none"> EXAG.10X25 VOL.MAG.N.2018 T02010025 (u. 1) 	OBSOLETE
	<ul style="list-style-type: none"> EXAG.10X25 VOL.MAG.N.2018 GEOMET 0/000.460.9112 (u. 1) 	
7	<ul style="list-style-type: none"> TAPA ENCENDIDO EC 2015 ME60100GG-CBR-3 (u. 1) 	
8	<ul style="list-style-type: none"> TORN.ESP.6x40 Fil.20 T0206040 (u. 1) 	OBSOLETE
	<ul style="list-style-type: none"> TORN.ESP.6x40 Fil.20 GEOMET 10.9 0/000.460.9125 (u. 1) 	
9	<ul style="list-style-type: none"> TORN.ESP.+ARAND.5x15 ZI T0205015 (u. 3) 	OBSOLETE
	<ul style="list-style-type: none"> TORN.ESP.+ARAND.5x15 DIN 6921 GEOMET 10.9 0/000.460.9115 (u. 3) 	

10	<ul style="list-style-type: none"> ARANDELA GRUESA 10x23x4 NG. T4001024 (u. 1) 	
11	<ul style="list-style-type: none"> ALLEN 5X10 DIN 912 ZINC 12.9 0/000.460.9145 (u. 2) 	
	<ul style="list-style-type: none"> ALLEN 5X10 T0305010 (u. 2) 	OBSOLETE
12	<ul style="list-style-type: none"> BENDIX COMPLETO MR MEJORADO 0/005.400.9115 (u. 1) 	
13	<ul style="list-style-type: none"> TAPA BENDIX EC 2015 EE80130GG-CBR-2 (u. 1) 	
14	<ul style="list-style-type: none"> MOTOR ARRAN.ELEC.EC 2015 PHI50mm 0/005.480.9100 (u. 1) 	
	<ul style="list-style-type: none"> MOTOR ARRAN.ELEC.EC 2015 PHI50mm EE80000GG-CBR-2 (u. 1) 	OBSOLETE
15	<ul style="list-style-type: none"> ARAN.CENTRIF.08.1X17X0.2 =ST950705 ME25616070 (u. 2) 	
18	<ul style="list-style-type: none"> RODA.EJE CENTRI.Y BOMBA 608.Z.C3 ME25616032 (u. 1) 	OBSOLETE
	<ul style="list-style-type: none"> RODA.EJE CENTRI.Y BOMBA 608.Z.C3 0/000.960.9108 (u. 1) 	
19	<ul style="list-style-type: none"> SOPORTE MOTOR ARRANQUE ELECTRICO EC 2015 EE80050GG-CBR-3 (u. 1) 	OBSOLETE
	<ul style="list-style-type: none"> SOPORTE MOTOR ARRANQUE ELECTRICO EC 2015 0/000.980.9111 (u. 1) 	
20	<ul style="list-style-type: none"> KIT PIÑONES HELECOIDALES ARRANQUE ELECTRICO EC EE80116CT-CBR-1 (u. 1) 	
21	<ul style="list-style-type: none"> COJINETE 61902-2ZC4 EE80070GG-CBR-1 (u. 1) 	
22	<ul style="list-style-type: none"> SEEGER DIN-472-DIAM 28X1.2 EE80055GG-CBR-1 (u. 1) 	
23	<ul style="list-style-type: none"> JUNTA TAPA BENDIX EC 2015 EE80135GG-CBR-1 (u. 1) 	
24	<ul style="list-style-type: none"> AGUJA DIN5402-3 TIPO BF DIAM-3X9.8 PLANA EE80140GG-CBR-1 (u. 2) 	
25	<ul style="list-style-type: none"> TORN.ESP.6X25(10.9) VALONA 11MM T0206025 (u. 3) 	OBSOLETE
	<ul style="list-style-type: none"> TORN.ESP.6X25 DIN 6921 GEOMET 10.9 VALONA 11MM 0/000.460.9121 (u. 3) 	
26	<ul style="list-style-type: none"> TORX M5X12PASO 0.8 CAB. ABOMBADA ARAND. 051208BB (u. 1) 	
27	<ul style="list-style-type: none"> ADAPTADOR PULSADOR HIDRIA EC 2014 V2 EE70216GG-CAB-2 (u. 1) 	OBSOLETE
	<ul style="list-style-type: none"> ADAPTADOR PULSADOR HIDRIA EC 2014 V2 0/000.980.9109 (u. 1) 	
28	<ul style="list-style-type: none"> JUNTA TAPA VOLANTE 0/000.490.9119 (u. 1) 	
	<ul style="list-style-type: none"> JUNTA TAPA VOLANTE ME94500GG-CSK-1 (u. 1) 	OBSOLETE
29	<ul style="list-style-type: none"> TUERCA+ARAN.M-6 (DIN 6923) ESTR. T2206000 (u. 1) 	OBSOLETE
	<ul style="list-style-type: none"> TUERCA+ARAN.M-6 ESTR. DIN 6923 ZINC 8 0/000.340.9116 (u. 1) 	
30	<ul style="list-style-type: none"> ARANDELA PLANA 6X12X1.5 DIN 125 ZINC 0/000.440.9124 (u. 1) 	
	<ul style="list-style-type: none"> ARANDELA PLANA 6X12X1.5 (DIN 125) T4006012 (u. 1) 	OBSOLETE

31	<ul style="list-style-type: none"> TAPA ARRANQUE ELECTRICO ENDURO 2018 0/000.220.9119 (u. 1) 	
	<ul style="list-style-type: none"> TAPA ARRANQUE ELECTRICO ENDURO 2018 EE85100GG-CLJ-1 (u. 1) 	OBSOLETE
32	<ul style="list-style-type: none"> ALLEN 6x45 12.9 T0306045 (u. 1) 	OBSOLETE
	<ul style="list-style-type: none"> ALLEN 6x45 DIN 912 ZINC 12.9 0/000.460.9149 (u. 1) 	
33	<ul style="list-style-type: none"> ALLEN 6x40 12.9 (DIN 912) T0306040 (u. 1) 	OBSOLETE
	<ul style="list-style-type: none"> ALLEN 6x40 DIN 912 ZINC 12.9 0/000.460.9148 (u. 1) 	
34	<ul style="list-style-type: none"> TORN.ESP.6x50 Fil.20 DIN 6921 GEOMET 10.9 0/000.460.9126 (u. 1) 	
	<ul style="list-style-type: none"> TORN.ESP.6x50 Fil.20 10.9 T0206050 (u. 1) 	OBSOLETE
35	<ul style="list-style-type: none"> ESCOBILLAS MOTOR ARRANQUE EC EE80010GG-CBR-1 (u. 1) 	

Cigüeñal



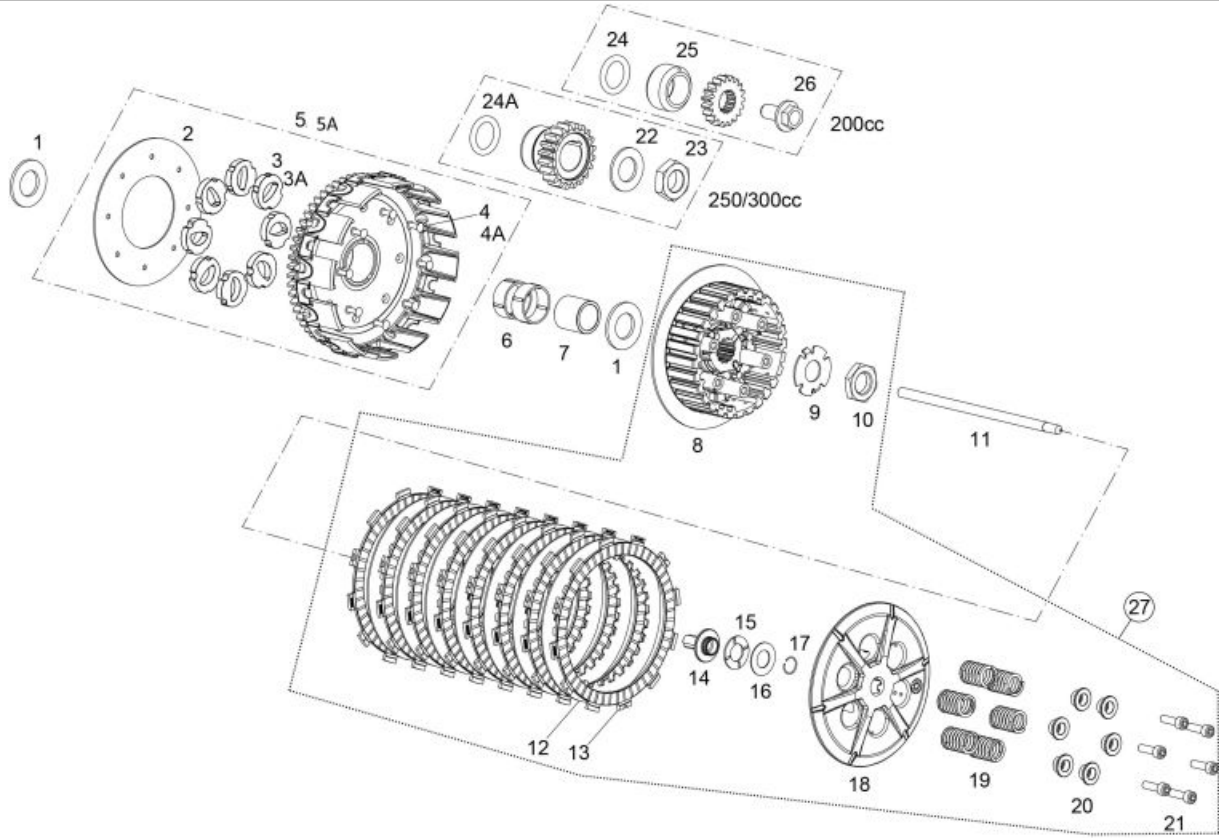
1	<ul style="list-style-type: none"> CTO.CIGUEÑAL ENDURO 2018 ME30000CT-CLJ-1 (u. 1) - 250cc / 300cc 	OBSOLETE
	<ul style="list-style-type: none"> CTO.CIGUEÑAL ENDURO 2018 0/005.380.9100 (u. 1) 	
2	<ul style="list-style-type: none"> ROD.RV.18X22X21,8 S PIE DE BIELA ME25616035 (u. 1) 	
3	<ul style="list-style-type: none"> CTO.BIELA ENDURO ME25612100 (u. 1) 	
4	<ul style="list-style-type: none"> RETEN LADO IZ.CIG.TCJ 20x35x6/6.5 ME250112009 (u. 1) 	OBSOLETE
	<ul style="list-style-type: none"> RETEN LADO IZ.CIG.TCJ 20x35x6/6.5 0/000.890.9103 (u. 1) 	
5	<ul style="list-style-type: none"> COJINETE CIGUEÑAL IZQUIERDO 6206- TN9/C4 (ABIERTO) ME31010GG-CLJ-1 (u. 1) 	OBSOLETE
	<ul style="list-style-type: none"> COJINETE CIGUEÑAL IZQUIERDO 6206- TN9/C4 (ABIERTO) 0/000.960.9115 (u. 1) 	
6	<ul style="list-style-type: none"> CHAVETA 3x3.7 D.10 DIN 6888 0/005.490.9102 (u. 1) 	OBSOLETE
	<ul style="list-style-type: none"> CHAVETA 3x3.7xD10 TRIAL 2002 MT280234016 (u. 1) 	
7	<ul style="list-style-type: none"> CHAVETA LADO EMBR.(DIAM 16X5X6.5) DIN 6888 0/005.490.9100 (u. 1) 	OBSOLETE
	<ul style="list-style-type: none"> CHAVETA LADO EMBR.(DIAM 16X5X6.5) DIN 68 ME31030GG-CAB-1 (u. 1) 	
8	<ul style="list-style-type: none"> COJINETE CIGUEÑAL DERECHO 63/28-HN3/C3 GXN (ABIERTO) ME31015GG-CLJ-1 (u. 1) 	OBSOLETE
	<ul style="list-style-type: none"> COJINETE CIGUEÑAL DERECHO 63/28-HN3/C3 GXN (ABIERTO) 0/000.960.9116 (u. 1) 	

9

- RETEN DCH.O.CIGUEÑAL TB2J 38-52 7
ME250112008 (u. 1)
- RETEN DCH.O.CIGUEÑAL TB2J 38-52 7
0/000.890.9102 (u. 1)

OBSOLETE

Embrague

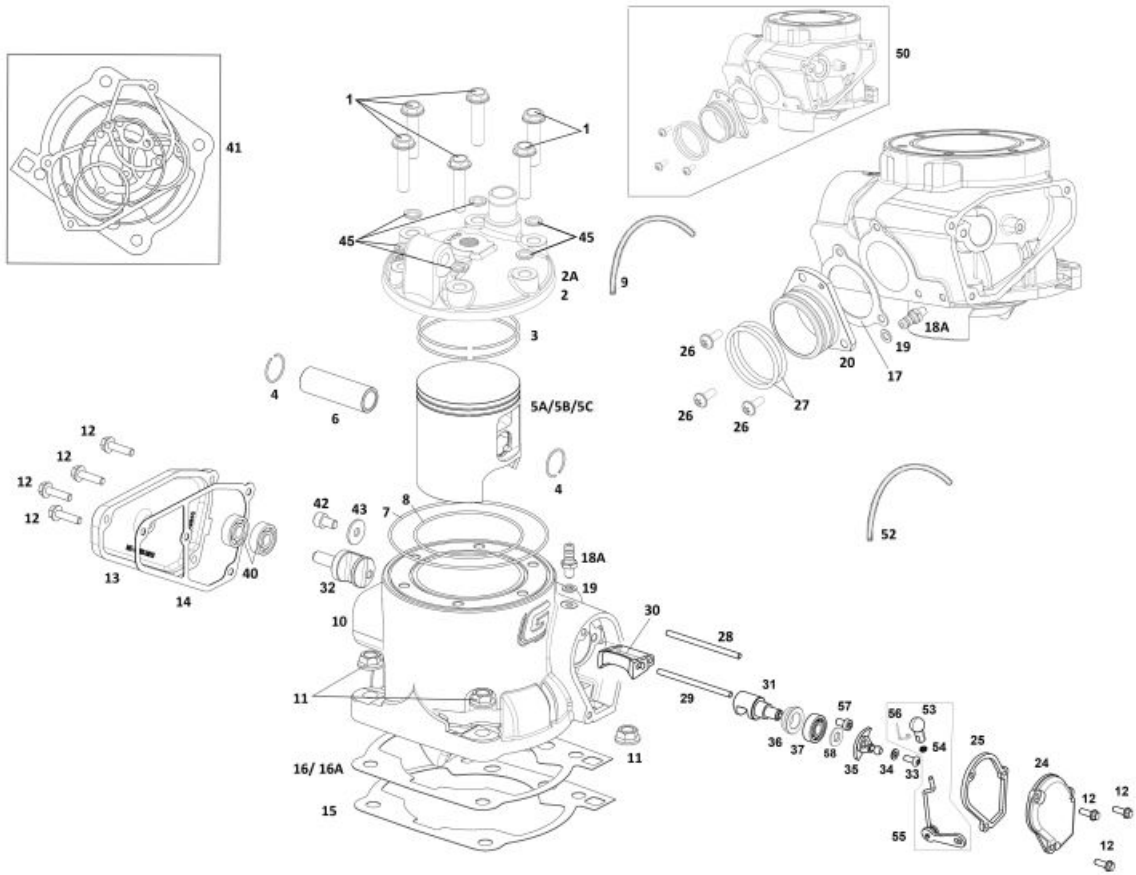


1	<ul style="list-style-type: none"> ARAN.CAMPANA EMBRAG.22.1X42X2.8 ME25632011 (u. 2) ARAN.CAMPANA EMBRAG.22.1X42X2.8 0/000.440.9106 (u. 2) 	OBSOLETE
2	<ul style="list-style-type: none"> ARANDELA CORONA EMBR. ME20932009 (u. 1) 	
3	<ul style="list-style-type: none"> GOMA SILENBLOC C4015/115 EMBR.3376 ME20932008 (u. 8) 	
4	<ul style="list-style-type: none"> REMACHE CAMPANA EMBR. ME250132010 (u. 8) 	
5	<ul style="list-style-type: none"> CTO.CORONA EMBR.ENDURO 250-300 2014 ME21000CT-CAB-1 (u. 1) - 250cc / 300cc CTO.CORONA-PIÑON EMBR.ENDURO 250-300 2014 0/005.400.9104 (u. 1) 	OBSOLETE
6	<ul style="list-style-type: none"> COJI.CAMP.EMB.K28X33X13FV-M1 M3 0/000.980.9113 (u. 2) COJI.CAMP.EMB.K28X33X13FV-M1 M3 ME25632029 (u. 2) 	OBSOLETE
7	<ul style="list-style-type: none"> CASQ.CAMPANA EMBR. 0/000.480.9121 (u. 1) CASQ.CAMPANA EMBR. ME25632012 (u. 1) 	OBSOLETE
8	<ul style="list-style-type: none"> CUBO EMBRAGUE ENDURO 2018 ME22005GG-CLJ-1 (u. 1) 	
9	<ul style="list-style-type: none"> ARANDELA PRECINTO CORONA EMBRAGUE ENDURO 2018 ME21120GG-CLJ-1 (u. 1) ARANDELA PRECINTO CORONA EMBRAGUE ENDURO 2018 0/000.440.9104 (u. 1) 	OBSOLETE

10	<ul style="list-style-type: none"> TUERCA FIJ.CUBO EMB. 0/000.340.9107 (u. 1) 	
	<ul style="list-style-type: none"> TUERCA FIJ.CUBO EMB. ME25632028 (u. 1) 	OBSOLETE
11	<ul style="list-style-type: none"> VARILLA EMBR. 0/000.190.9105 (u. 1) 	
	<ul style="list-style-type: none"> VARILLA EMBR. ME25632040 (u. 1) 	OBSOLETE
12	<ul style="list-style-type: none"> DISCOS EMBRAGUE HIERRO ME22105GG-CLJ-1 (u. 7) 	
13	<ul style="list-style-type: none"> DISCOS EMB.FORRADO 7138 ME25632007 (u. 8) 	
14	<ul style="list-style-type: none"> CASQ.PREMSA EMBR.EC 2014 (CLUTCH PIN) ME23100GG-CAB-1 (u. 1) 	OBSOLETE
	<ul style="list-style-type: none"> CASQ.PREMSA EMBR.EC 2014 (CLUTCH PIN) 0/000.480.9120 (u. 1) 	
15	<ul style="list-style-type: none"> JAULA AGUJA VALV.ESCAPE AXK 1528 0/000.960.9109 (u. 1) 	
	<ul style="list-style-type: none"> JAULA AGUJA VALV.ESCAPE AXK 1528 ME25632046 (u. 1) 	OBSOLETE
16	<ul style="list-style-type: none"> PLACA AGUJA ROD. BOLET Y VAL.ESCAPE AS 15 ME25632016 (u. 1) 	OBSOLETE
	<ul style="list-style-type: none"> PLACA AGUJA ROD. BOLET Y VAL.ESCAPE AS 15 0/000.440.9107 (u. 1) 	
17	<ul style="list-style-type: none"> ANILLO PREMSA EMBR. DIN7993 Ø14X1 0/000.300.9102 (u. 1) 	
	<ul style="list-style-type: none"> ANILLO PREMSA EMBR.2014 (DIN7993 Ø14X1) ME23150GG-CAB-1 (u. 1) 	OBSOLETE
18	<ul style="list-style-type: none"> PREMSA PLATO ENDURO 2018 ME23000GG-CLJ-1 (u. 1) 	
19	<ul style="list-style-type: none"> MUELLE EMBRAGUE EC-2018 ME22025GG-CLJ-1 (u. 6) 	
20	<ul style="list-style-type: none"> CASQ.MUELLE EMBR. EC-2018 ME22020GG-CLJ-1 (u. 6) 	
21	<ul style="list-style-type: none"> ALLEN 6X25 TA.EMB,CART,SUSP.12.9 T0306025 (u. 6) 	
22	<ul style="list-style-type: none"> ARANDELA DIN 125 PULIDA D-20 ZINC 40-42HRC 0/000.440.9108 (u. 1) 	
	<ul style="list-style-type: none"> ARAN.BISEL.D.20 / 125-B-M 5.6 PULIDA PIÑ ME25632019 (u. 1) - 250cc / 300cc 	OBSOLETE
23	<ul style="list-style-type: none"> TUERCA BLOCAJE PIÑON CIGUEÑAL EC-2000 0/000.340.9106 (u. 1) 	
	<ul style="list-style-type: none"> TUERCA BLOCAJE PIÑON CIGUEÑAL EC-2000 ME250032018 (u. 1) - 250cc / 300cc 	OBSOLETE
24	<ul style="list-style-type: none"> TORICA PIÑON PRIM.EMBR.(Ø23*5 NBR) ME21180GG-CAB-1 (u. 1) 	OBSOLETE
	<ul style="list-style-type: none"> JUNTA TORICA 20X1 ST950207 (u. 1) - 200cc 	OBSOLETE
	<ul style="list-style-type: none"> TORICA PIÑON PRIM.EMBR.(Ø23*5 NBR) 0/000.490.9106 (u. 1) 	
25	<ul style="list-style-type: none"> CASQ.CIGUEÑAL 25X38X20 ME200512014 (u. 1) - 200cc 	OBSOLETE
	<ul style="list-style-type: none"> CASQ.CIGUEÑAL 25X38X20 0/000.480.9127 (u. 1) 	

26	<ul style="list-style-type: none">TORN.ESP.12X25X1.25 FIL.20 12.9 GEOMET 0/000.460.9114 (u. 1)	
	<ul style="list-style-type: none">TORN.ESP.12X25X1.25 FIL.20 12.9 T02012025 (u. 1) - 200cc	OBSOLETE
27	<ul style="list-style-type: none">CTO.CUBO EMBR.ENDURO 2018 0/005.350.9100 (u. 1)	
	<ul style="list-style-type: none">CTO.CUBO EMBR.ENDURO 2018 ME22005CT-CLJ-1 (u. 1)	OBSOLETE

Cilindro



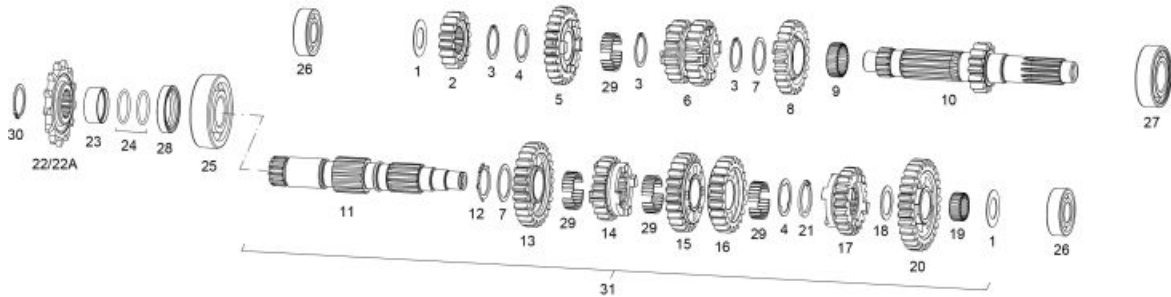
1	<ul style="list-style-type: none"> TORN.EXAG.+ARAND 8X35 T0208035 (u. 6) TORN.EXAG.+ARAND 8X35 DELTA PROTEK 10.9 0/000.460.9130 (u. 6) 	OBSOLETE
2	<ul style="list-style-type: none"> CULATA EC/XC 300 0/005.770.9100 (u. 1) CULATA EC/XC 300 ME75000GG-CSK-1 (u. 1) - 300cc CULATA ENDURO 250 2018 0/005.770.9101 (u. 1) CULATA ENDURO 250 2018 ME75000GG-CLK-1 (u. 1) - 250cc 	OBSOLETE
3	<ul style="list-style-type: none"> JUEGO AROS PISTON TT 250 ME25616040 (u. 1) - 250cc JUEGO AROS PISTON TT-300 2835CD ME30916040 (u. 1) - 300cc 	OBSOLETE
4	<ul style="list-style-type: none"> JUEGO CLIP BULON TT 250 ME25616126 (u. 2) 	
5C	<ul style="list-style-type: none"> PISTON 300CC C ME30916122R (u. 1) - 300cc PISTON 66.35 250 ENDURO C ME25616122R (u. 1) - 250cc 	
5B	<ul style="list-style-type: none"> PISTON TT 300 71.95 B ME300416121 (u. 1) - 300cc PISTON 250 ENDURO B ME25616121R (u. 1) - 250cc 	

5A	<ul style="list-style-type: none"> PISTON TT 300 EC-2004 ME300416020 (u. 1) - 300cc 	
	<ul style="list-style-type: none"> PISTON TT 250 66.33 NOIR ME25616020R (u. 1) - 250cc 	
6	<ul style="list-style-type: none"> BULON PISTON TT 250 ME25616125 (u. 1) 	
7	<ul style="list-style-type: none"> TORICA CULATA EXT.107.67x1.78 ME25916060 (u. 1) - 250cc / 300cc 	OBSOLETE
	<ul style="list-style-type: none"> TORICA CULATA EXT.107.67x1.78 0/000.490.9109 (u. 1) 	
8	<ul style="list-style-type: none"> TORICA CULATA INTER.75.92X1.78 VITON 0/000.490.9111 (u. 1) 	
	<ul style="list-style-type: none"> TORICA CULATA INTER.75.92X1.78 VITON ME30916065 (u. 1) - 300cc 	OBSOLETE
	<ul style="list-style-type: none"> TORICA CULATA INT.VITON 72.7x1.78 ME25916065 (u. 1) - 200cc / 250cc 	OBSOLETE
	<ul style="list-style-type: none"> TORICA CULATA INT.VITON 72.7x1.78 0/000.490.9110 (u. 1) 	
9	<ul style="list-style-type: none"> TUBO DESV.CARTER (55 cm.) ME25610022 (u. 1) 	
9A	<ul style="list-style-type: none"> CTO.TUBO DESVAPORIZADOR BLOW BY ENDURO 2018 0/000.290.9106 (u. 1) 	
	<ul style="list-style-type: none"> CTO.TUBO DESVAPORIZADOR BLOW BY ENDURO 2018 BE71155CT-CLJ-1 (u. 1) - ONLY USA MODELS 	OBSOLETE
10	<ul style="list-style-type: none"> CILINDRO ENDURO 300 2018 ME70000GG-CLJ-1 (u. 1) - 300cc 	
	<ul style="list-style-type: none"> CTO.CILINDRO ENDURO 250 2018 ME70000GG-CLK-1 (u. 1) - 250cc 	
11	<ul style="list-style-type: none"> TUERCA DIN 6923 ZINC 8.8 ESP.10/150 C13 0/000.340.9105 (u. 4) 	
	<ul style="list-style-type: none"> TUERCA CIL.8.8 ESP.10/150 C13 =ME2561603 M01613001 (u. 4) 	OBSOLETE
12	<ul style="list-style-type: none"> TORN.ESP.+ARAND.5x15 ZI T0205015 (u. 7) 	OBSOLETE
	<ul style="list-style-type: none"> TORN.ESP.+ARAND.5x15 DIN 6921 GEOMET 10.9 0/000.460.9115 (u. 7) 	
13	<ul style="list-style-type: none"> TAPA VALV.IZQ.EC 2013 0/000.350.9104 (u. 1) 	
	<ul style="list-style-type: none"> TAPA VALV.IZQ.EC 2013 ME100033013 (u. 1) 	OBSOLETE
14	<ul style="list-style-type: none"> JUNTA TAPA VAL.IZDA.EC 2013 0/000.490.9113 (u. 1) 	
	<ul style="list-style-type: none"> JUNTA TAPA VAL.IZDA.EC 2013 ME440063013 (u. 1) 	OBSOLETE
15	<ul style="list-style-type: none"> JUNTA CIL.0.15 ME25644010 (u. 1) 	
16	<ul style="list-style-type: none"> JUNTA CILINDRO METALICA CON SILICONA ENDURO 2018 ME44000GG-CLJ-1 (u. 1) 	OBSOLETE
	<ul style="list-style-type: none"> JUNTA CILINDRO 0,5 METALICA CON SILICONA ENDURO 2018 0/000.490.9112 (u. 1) 	
16A	<ul style="list-style-type: none"> JUNTA CIL.0.3 ME25644009 (u. 1) 	
17	<ul style="list-style-type: none"> JUNTA ESCAPE ME25644012 (u. 1) 	

18A	<ul style="list-style-type: none"> ● DESVAP.CARTER D.3=ME25610012 M01032001 (u. 2) 	OBSOLETE
	<ul style="list-style-type: none"> ● DESVAP.CARTER D.3=ME25610012 0/000.630.9105 (u. 2) 	
19	<ul style="list-style-type: none"> ● ARANDELA FIBRA 6X10X1.5 0/000.440.9123 (u. 2) 	OBSOLETE
	<ul style="list-style-type: none"> ● ARANDELA FIBRA 6X10X1.5 T4006010 (u. 2) 	
20	<ul style="list-style-type: none"> ● TUBERA ESCAPE 2005 ME250516019 (u. 1) 	
24	<ul style="list-style-type: none"> ● TAPA VALV.DCH.EC300 2014 0/000.350.9108 (u. 1) 	OBSOLETE
	<ul style="list-style-type: none"> ● TAPA VALV.DCH.EC300 2014 ME72020GG-CAB-1 (u. 1) 	
25	<ul style="list-style-type: none"> ● JUNTA TAPA VALV.DER.4mm 0/000.490.9117 (u. 1) 	OBSOLETE
	<ul style="list-style-type: none"> ● JUNTA TAPA VALV.DER.4mm ME70055GG-CEQ-1 (u. 1) 	
26	<ul style="list-style-type: none"> ● ULS TORX 6X14 DIN 7380-1 ZINCADO 10.9 T0566014 (u. 3) 	
27	<ul style="list-style-type: none"> ● TORICA TUBERA ESCAPE 44X3 FP (viton) BE250526006 (u. 2) 	
28	<ul style="list-style-type: none"> ● EJE VALV.ESCAP LARGO 93mm. ME25616027 (u. 1) 	
29	<ul style="list-style-type: none"> ● EJE VALV.ESCAPE CORTO 83mm. ME25616017 (u. 1) 	
30	<ul style="list-style-type: none"> ● VALVULA CENTRAL ENDURO 250 2018 ME72005GG-CLK-1 (u. 1) 	
31	<ul style="list-style-type: none"> ● VALVULA DERECHA ENDURO 250 2018 ME72000GG-CLK-1 (u. 1) 	
32	<ul style="list-style-type: none"> ● VALVULA IZQUIERDA ENDURO 250 2018 ME72010GG-CLK-1 (u. 1) 	
33	<ul style="list-style-type: none"> ● SCREW ISO 7380 Allen M5x10 Cal.10.9 Z/BLANCO 0/000.460.2000 (u. 1) 	OBSOLETE
	<ul style="list-style-type: none"> ● ULS 5X10 BN13255 10.9 LAMINAS ZIN. T0505010 (u. 1) 	
34	<ul style="list-style-type: none"> ● ARANDELA 5X12X1.5 T4005012 (u. 1) 	OBSOLETE
	<ul style="list-style-type: none"> ● ARANDELA 5X12X1.5 DIN 125A ZINC 0/000.440.9121 (u. 1) 	
35	<ul style="list-style-type: none"> ● CTO.PALANCA VALV.ESCAPE EC 2015 ME72320CT-CEQ-1 (u. 1) 	OBSOLETE
	<ul style="list-style-type: none"> ● CTO.PALANCA VALV.ESCAPE EC 2015 0/000.640.9103 (u. 1) 	
36	<ul style="list-style-type: none"> ● DIST.COJINETE VALV.ESCAPE ME25616036 (u. 1) 	
37	<ul style="list-style-type: none"> ● RODAM.BOMBA AGUA 6000C3Z =M03313001 0/000.960.9107 (u. 1) 	OBSOLETE
	<ul style="list-style-type: none"> ● RODAM.BOMBA AGUA 6000C3Z =M03313001 ME25610010 (u. 1) 	
40	<ul style="list-style-type: none"> ● RODA.EJE CENTRI.Y BOMBA 608.Z.C3 0/000.960.9108 (u. 2) 	OBSOLETE
	<ul style="list-style-type: none"> ● RODA.EJE CENTRI.Y BOMBA 608.Z.C3 ME25616032 (u. 2) 	
41	<ul style="list-style-type: none"> ● KIT JUNTAS DE CIL.CULATA 300C.C. ME94620CT-CAB-1 (u. 1) - 300cc 	

42	<ul style="list-style-type: none"> ALLEN 6X10 8.8 BOB. T0306010 (u. 2) 	
43	<ul style="list-style-type: none"> ARANDELA 6X18X1.5 DIN 9021 ZINC 0/000.440.9126 (u. 1) 	
	<ul style="list-style-type: none"> ARANDELA 6X18X1.5 (DIN 9021) T4006018 (u. 1) 	OBSOLETE
44	<ul style="list-style-type: none"> ARANDELA PLANA 6X12X1.5 DIN 125 ZINC 0/000.440.9124 (u. 1) 	
	<ul style="list-style-type: none"> ARANDELA PLANA 6X12X1.5 (DIN 125) T4006012 (u. 1) 	OBSOLETE
45	<ul style="list-style-type: none"> ARANDELA COBRE 8.5x16x1.5 T4008516 (u. 6) 	OBSOLETE
	<ul style="list-style-type: none"> ARANDELA COBRE 8.5x16x1.5 DIN 125 A ISO 7090 0/000.440.9130 (u. 6) 	
50	<ul style="list-style-type: none"> CTO.CILINDRO ENDURO 250 2018 ME70000CT-CLK-1 (u. 1) - 250cc 	OBSOLETE
	<ul style="list-style-type: none"> CTO.CILINDRO ENDURO 300 2018 ME70000CT-CLJ-1 (u. 1) - 300cc 	OBSOLETE
	<ul style="list-style-type: none"> CTO.CILINDRO ENDURO 300 2018 0/005.190.9100 (u. 1) 	
	<ul style="list-style-type: none"> CTO.CILINDRO ENDURO 250 2018 0/005.190.9101 (u. 1) 	
51	<ul style="list-style-type: none"> ARANDELA COBRE 6X10X1.5 TORN.VAC.AGUA CI T4006008 (u. 2) 	OBSOLETE
	<ul style="list-style-type: none"> ARANDELA COBRE 6X10X1.5 TORN.VAC.AGUA CI 0/000.440.9122 (u. 2) 	
52a	<ul style="list-style-type: none"> CTO.TUBO DESVAPORIZADOR BLOW BY ENDURO 2018 BE71155CT-CLJ-1 (u. 1) - ONLY USA MODELS 	OBSOLETE
	<ul style="list-style-type: none"> CTO.TUBO DESVAPORIZADOR BLOW BY ENDURO 2018 0/000.290.9106 (u. 1) 	
52	<ul style="list-style-type: none"> TUBO RESPIRADERO VALV.S EC-2009 BE733001209 (u. 1) 	
53	<ul style="list-style-type: none"> CTO.VARILLA VALV.ESCAPE COMPLETO EC 2015 0/000.640.9104 (u. 1) 	
	<ul style="list-style-type: none"> CTO.VARILLA VALV.ESCAPE COMPLETO EC 2015 ME72325CT-CEQ-1 (u. 1) 	OBSOLETE
54	<ul style="list-style-type: none"> TUERCA M 3.5X0.6 T2503006 (u. 1) 	OBSOLETE
55	<ul style="list-style-type: none"> CTO.VARILLA VALV.ESCAPE COMPLETO EC 2015 ME72325CT-CEQ-1 (u. 1) 	OBSOLETE
	<ul style="list-style-type: none"> CTO.VARILLA VALV.ESCAPE COMPLETO EC 2015 0/000.640.9104 (u. 1) 	
56	<ul style="list-style-type: none"> CLIP DE SEGURIDAD ROTULA 0/000.840.9103 (u. 1) 	
	<ul style="list-style-type: none"> CLIP DE SEGURIDAD ROTULA ME72326GG-CEQ-1 (u. 1) 	OBSOLETE
58	<ul style="list-style-type: none"> CASQUILLO SEPARADOR COJINETE VALV.ESCAPE ME71100GG-CEQ-1 (u. 1) 	OBSOLETE
	<ul style="list-style-type: none"> CASQUILLO SEPARADOR COJINETE VALV.ESCAPE 0/000.480.9124 (u. 1) 	

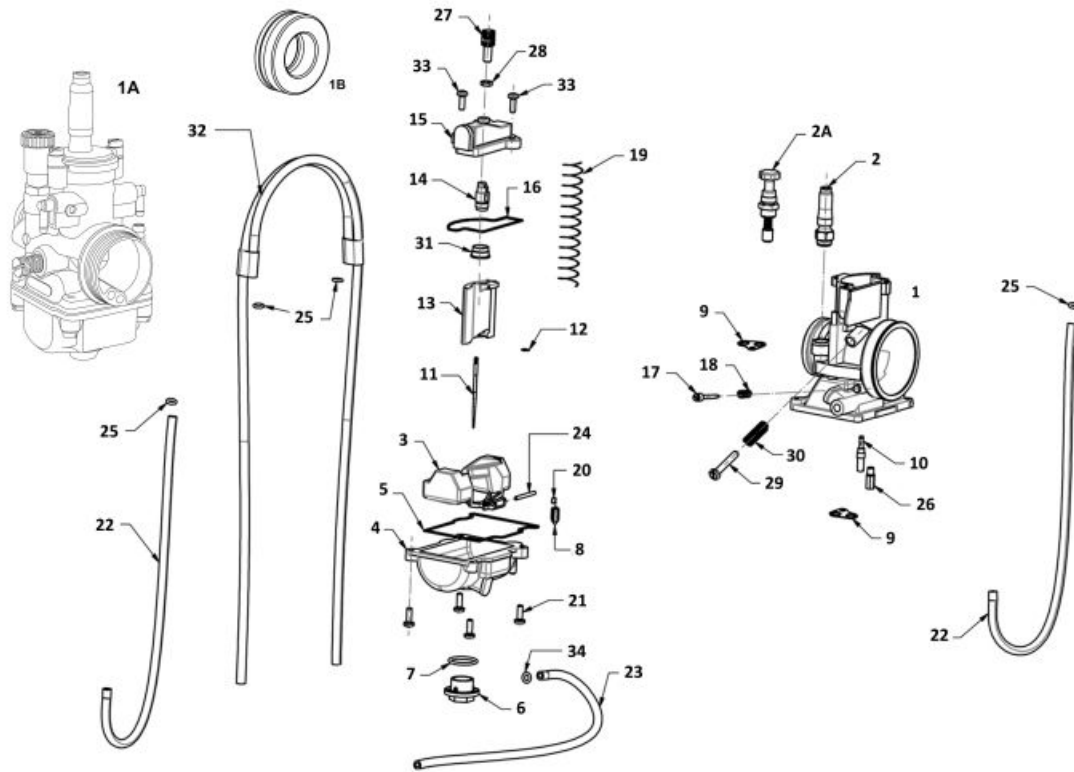
Cambio



1	<ul style="list-style-type: none"> ● ARANDELA 18X31.5X0.7 CAMBIO ME25636014 (u. 2) 	
2	<ul style="list-style-type: none"> ● PIÑÓN PRIMARIO II Z-16 ME25636071 (u. 1) 	
3	<ul style="list-style-type: none"> ● CIRCLIP D.25 DIN 471 0/000.300.9107 (u. 3) ● CIRCLIP D.25 DIN 471 ME25936084 (u. 3) 	OBSOLETE
4	<ul style="list-style-type: none"> ● ARANDELA 31.5X(25X22)X1 SEC.3-4 ESTR.CAM ME25636091 (u. 2) 	
5	<ul style="list-style-type: none"> ● PIÑÓN PRIMARIO VI Z-24 ME25636074 (u. 1) 	
6	<ul style="list-style-type: none"> ● PIÑÓN PRIMARIO III Y IV ME25636072 (u. 1) 	
7	<ul style="list-style-type: none"> ● ARANDELA 25.2X31.5X1 CAMBIO ME25636017 (u. 2) 	
8	<ul style="list-style-type: none"> ● PIÑÓN PRIMARIO V Z-23 ME25636073 (u. 1) 	
9	<ul style="list-style-type: none"> ● COJINETE AGUJAS K25-29-10 M02616000 (u. 1) ● COJINETE AGUJAS K25-29-10 0/000.960.9104 (u. 1) 	OBSOLETE
10	<ul style="list-style-type: none"> ● EJE PRIMARIO EC 250-2002 ME250236070 (u. 1) 	
11	<ul style="list-style-type: none"> ● EJE SECUNDARIO EC 08 ME410002508 (u. 1) 	
12	<ul style="list-style-type: none"> ● CIRCLIP D.25 DIN 983 =25049255 ME25636095 (u. 1) 	
13	<ul style="list-style-type: none"> ● PIÑÓN SECUNDARIO II 7-26 ME250136077 (u. 1) 	
14	<ul style="list-style-type: none"> ● PIÑÓN SECUNDARIO VI Z-19 ME250136081 (u. 1) 	
15	<ul style="list-style-type: none"> ● PIÑÓN SECUNDARIO III Z-24 ME25636078 (u. 1) 	
16	<ul style="list-style-type: none"> ● PIÑÓN SECUNDARIO IV Z-22 ME25636079 (u. 1) 	
17	<ul style="list-style-type: none"> ● PIÑÓN SECUNDARIO V Z-21 ME25636080 (u. 1) 	

18	<ul style="list-style-type: none"> ARANDELA 20.8X29X1 CAMBIO ME25636016 (u. 1) 	
19	<ul style="list-style-type: none"> RODA.AGUJ.K20X24X10 0/000.960.9114 (u. 1) 	
	<ul style="list-style-type: none"> RODA.AGUJ.K20X24X10 ME25636059 (u. 1) 	OBSOLETE
20	<ul style="list-style-type: none"> PIÑÓN SECUNDARIO I Z-29 ME25636076 (u. 1) 	
21	<ul style="list-style-type: none"> CIRCLIP D.25 DIN 471 REBAIXAD D.2 SE03025200009 (u. 1) 	
22	<ul style="list-style-type: none"> PIÑÓN SALIDA TG421X13T ME25636025 (u. 1) 	OBSOLETE
	<ul style="list-style-type: none"> PIÑÓN SALIDA TG421X13T 0/005.400.9112 (u. 1) 	
22A	<ul style="list-style-type: none"> PIÑÓN SALIDA TG421X12T MF25836025 (u. 1) 	OBSOLETE
	<ul style="list-style-type: none"> PIÑÓN SALIDA TG421X12T 0/005.400.9113 (u. 1) 	
23	<ul style="list-style-type: none"> DOLLA RETEN SALIDA CAMBIO 0/000.260.9100 (u. 1) 	
	<ul style="list-style-type: none"> DOLLA RETEN SALIDA CAMBIO ME25636046 (u. 1) 	OBSOLETE
24	<ul style="list-style-type: none"> TORICA 25 X 2 NBR PIÑ SAL. 0/000.490.9107 (u. 2) 	
	<ul style="list-style-type: none"> TORICA 25 X 2 NBR PIÑ SAL. ME25632025 (u. 2) 	OBSOLETE
25	<ul style="list-style-type: none"> RODAM.CAMBIO 6305 C3 ME25636058 (u. 1) 	OBSOLETE
	<ul style="list-style-type: none"> RODAM.CAMBIO 6305 C3 0/000.960.9113 (u. 1) 	
26	<ul style="list-style-type: none"> RODAM.CAMBIO 6203C3 0/000.960.9112 (u. 2) 	
	<ul style="list-style-type: none"> RODAM.CAMBIO 6203C3 ME25636057 (u. 2) 	OBSOLETE
27	<ul style="list-style-type: none"> RODAM.CAMBIO 6205-RSH/C3 0/000.960.9106 (u. 1) 	
	<ul style="list-style-type: none"> RODAM.CAMBIO 6205-RSH/C3 ME250136056 (u. 1) 	OBSOLETE
28	<ul style="list-style-type: none"> RETEN 30X40X7 DOBLE LABIO.PIÑ.SAL. 0/000.890.9106 (u. 1) 	
	<ul style="list-style-type: none"> RETEN 30X40X7 DOBLE LABIO.PIÑ.SAL. ME25636024 (u. 1) 	OBSOLETE
29	<ul style="list-style-type: none"> JAULA AGUJAS KD22x25x9.8 GRUPO CAMBIO ME250236102 (u. 4) 	OBSOLETE
	<ul style="list-style-type: none"> JAULA AGUJAS KD22x25x9.8 GRUPO CAMBIO 0/005.150.9101 (u. 4) 	
30	<ul style="list-style-type: none"> CIRCLIP D.25 DIN 471 ME25936084 (u. 1) 	OBSOLETE
	<ul style="list-style-type: none"> CIRCLIP D.25 DIN 471 0/000.300.9107 (u. 1) 	
31	<ul style="list-style-type: none"> CTO. CAMBIO MARCHAS ME40000CT-CSK-1 (u. 1) 	OBSOLETE
	<ul style="list-style-type: none"> CTO. CAMBIO MARCHAS 0/005.400.9107 (u. 1) 	

Carburador

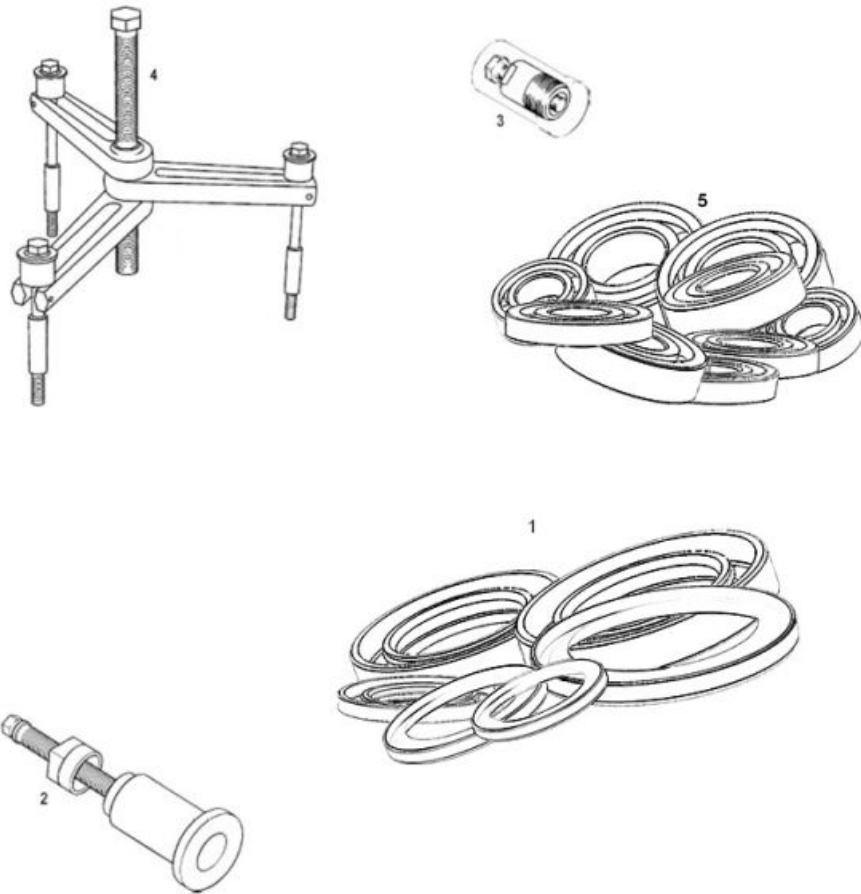


1	<ul style="list-style-type: none"> ● CARBURADOR KEIHIN PWK 38 MANDO STARTER 10FK-A73Z-00A0_ BE78000GG-CSK-1 (u. 1) ● CARBURADOR KEIHIN PWK 38 MANDO STARTER 10FK-A73Z-00A0_ 0/005.155.9100 (u. 1) 	OBSOLETE
1A	<ul style="list-style-type: none"> ● CARBURADOR PHBG 21 DS ENDURO 73/33 CAMPANA 40 0/005.155.9103 (u. 1) ● CARBURADOR PHBG 21 DS ENDURO 73/33 CAMPANA 40 BE78000GG-EKF-1 (u. 1) 	OBSOLETE
1B	<ul style="list-style-type: none"> ● ADAPTADOR CARBURADOR DELL ORTO ENDURO 2018 0/005.150.9102 (u. 1) ● ADAPTADOR CARBURADOR DELL ORTO ENDURO 2018 BE78100GG-CLJ-1 (u. 1) 	OBSOLETE
2A	<ul style="list-style-type: none"> ● MANDO ESTARTER 1166-818-2101 ME25690011 (u. 1) 	
2	<ul style="list-style-type: none"> ● PERILLA AHOGADOR ME25000173012 (u. 1) 	
3	<ul style="list-style-type: none"> ● BOYA FLOTADOR 1052-856-2101 ME25000183012 (u. 1) 	
4	<ul style="list-style-type: none"> ● CUBETA FLOTADOR 1050-898-2102 ME25000193012 (u. 1) 	
5	<ul style="list-style-type: none"> ● JUNTA CUBETA FLOTADOR 1051-KZ40-0001 ME25000203012 (u. 1) 	
6	<ul style="list-style-type: none"> ● TAP.CUBETA 1018-ND4-7511 ME25690015 (u. 1) 	
7	<ul style="list-style-type: none"> ● TORICA TAP.CUBETA 16173-001-0040 ME25690016 (u. 1) 	OBSOLETE
8	<ul style="list-style-type: none"> ● AGUJA FLOTADOR 1062-814-2103 ME25000213012 (u. 1) 	
9	<ul style="list-style-type: none"> ● SUJECCIÒN TUBO RESPIRADERO 1531-KZ4H-690 ME25000223012 (u. 1) 	OBSOLETE

10B	<ul style="list-style-type: none"> ● CHICLE RALENTI 42 N424-21042 ME25690042 (u. 1) 	
10A	<ul style="list-style-type: none"> ● CHICLE RALENTI 45 ME25690045 (u. 1) 	OBSOLETE
11	<ul style="list-style-type: none"> ● AGUJA KEIHIN N1EF ME250190429 (u. 1) 	OBSOLETE
	<ul style="list-style-type: none"> ● AGUJA KEIHIN N1EF 0/005.150.9100 (u. 1) 	
11C	<ul style="list-style-type: none"> ● AGUJA NOZH N427-OZH00 ME120690435 (u. 1) 	
11B	<ul style="list-style-type: none"> ● AGUJA KEIHIN N1EG (N427-1EG00) ME250290428 (u. 1) 	
11A	<ul style="list-style-type: none"> ● AGUJA KEIHIN N1EE (N427-1EE00) ME250290427 (u. 1) 	
12	<ul style="list-style-type: none"> ● CLIP AGUJA 16115-169-0040 ME25690021 (u. 1) 	
13	<ul style="list-style-type: none"> ● COMPUERTA N°7 N502-66F00 0/005.150.9103 (u. 1) 	
	<ul style="list-style-type: none"> ● COMPUERTA N°7 N502-66F00 ME25000233012 (u. 1) 	OBSOLETE
14	<ul style="list-style-type: none"> ● FIJADOR AGUJA-CABLE 1101-804-2001 ME25690023 (u. 1) 	
15	<ul style="list-style-type: none"> ● TAP.COMPUERTA 1030-A92A-0000 ME25000243012 (u. 1) 	
16	<ul style="list-style-type: none"> ● JUNTA TORICA TAP.COMPUERTA 1202-882-6000 ME25000253012 (u. 1) 	
17	<ul style="list-style-type: none"> ● TORN.REGUL. ME25000263012 (u. 1) 	
18	<ul style="list-style-type: none"> ● MUELLE TORN.REGUL.AIRE 1300-416H-9900 ME25000273012 (u. 1) 	
19	<ul style="list-style-type: none"> ● MUELLE COMPUERTA 1290-A53-2000 ME25000283012 (u. 1) 	
20	<ul style="list-style-type: none"> ● CLIP NIVEL FLOTADOR 0405-019-1000 ME25690027 (u. 1) 	
21	<ul style="list-style-type: none"> ● TORN.CUBETA 93500-04014-1H ME25000293012 (u. 4) 	
22	<ul style="list-style-type: none"> ● TUBO RESPIRADERO 0803-868-0000 ME25000303012 (u. 2) 	
23	<ul style="list-style-type: none"> ● TUBO RESPIRADERO-2 0803-869-0000 ME25000313012 (u. 1) 	
24	<ul style="list-style-type: none"> ● EJE FLOTADOR W9525-25250 ME25690033 (u. 1) 	
25	<ul style="list-style-type: none"> ● CLIP TUBO RESPIRADERO W9535-35000 ME25690034 (u. 4) 	
26	<ul style="list-style-type: none"> ● CHICLE ALTA 175 (99101-357-1750) ME25690175 (u. 1) 	
27	<ul style="list-style-type: none"> ● TENSOR CABLE W9581-59250 ME25000323012 (u. 1) 	
28	<ul style="list-style-type: none"> ● TUERCA TENSOR CABLE 1793-130H-9900 ME25000333012 (u. 1) 	
29	<ul style="list-style-type: none"> ● TORN.REGUL.RALENTI 1034-853-2000 ME25690038 (u. 1) 	
30	<ul style="list-style-type: none"> ● MUELLE TORN.REG.1290-963-2000 ME25690039 (u. 1) 	
31	<ul style="list-style-type: none"> ● CASQ.MUELLE COMP.1118-929-7000 ME25690040 (u. 1) 	

32	<ul style="list-style-type: none">● TUBO VENTILACIÒN 0803-862-0100 ME25000343012 (u. 1)
33	<ul style="list-style-type: none">● TORN.TAP.COMPUERTA ME25000353012 (u. 2)
34	<ul style="list-style-type: none">● CLIP TUBO RESPIRADERO-2 W9535-25000 ME25000363012 (u. 1)
35	<ul style="list-style-type: none">● CTO.TOPE MANDO DE GAS CARBURADOR 2006 ME250690010 (u. 1)

Herramientas Motor



1	<ul style="list-style-type: none"> ● KIT RETENES EC-250/300 2010 ME906002510 (u. 1) 	
2	<ul style="list-style-type: none"> ● EXTRACTOR COJINETE CIGUEÑAL ME25950000 (u. 1) 	OBSOLETE
3	<ul style="list-style-type: none"> ● EXTRACTOR VOL.MAG.N.TRIAL 2002 MT280234045 (u. 1) 	
4	<ul style="list-style-type: none"> ● EXTRACTOR CARTER ME25950005 (u. 1) 	OBSOLETE
5	<ul style="list-style-type: none"> ● KIT COJINETES MOTOR EC 250 300 2018 ME90500CT-CLJ-1 (u. 1) 	