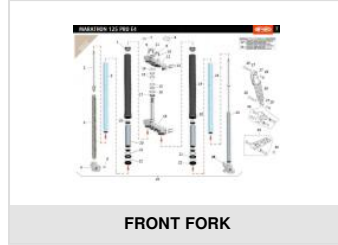
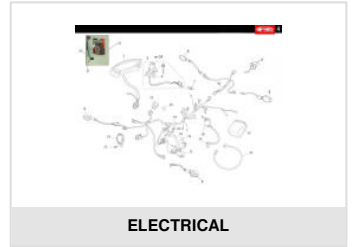


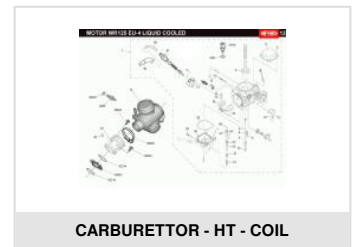
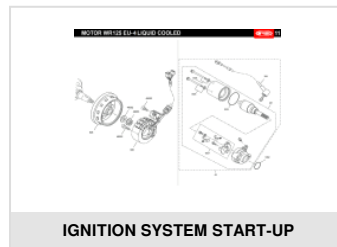
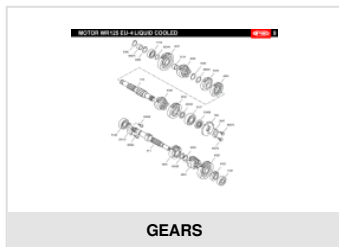
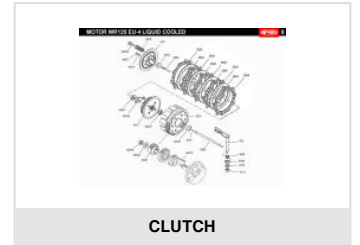
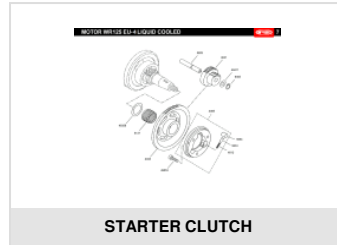
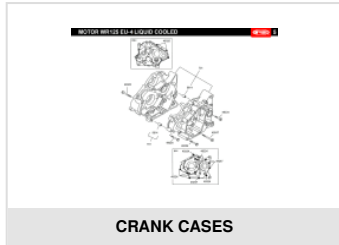
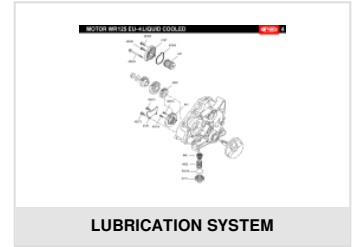
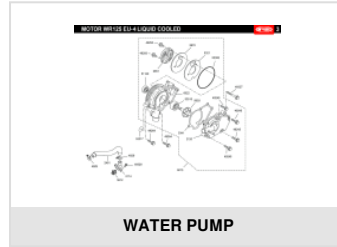
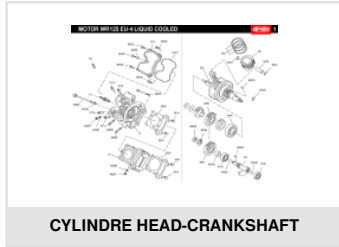


MARATHON 125 E4 TROPHY UK White 2018

Exploded

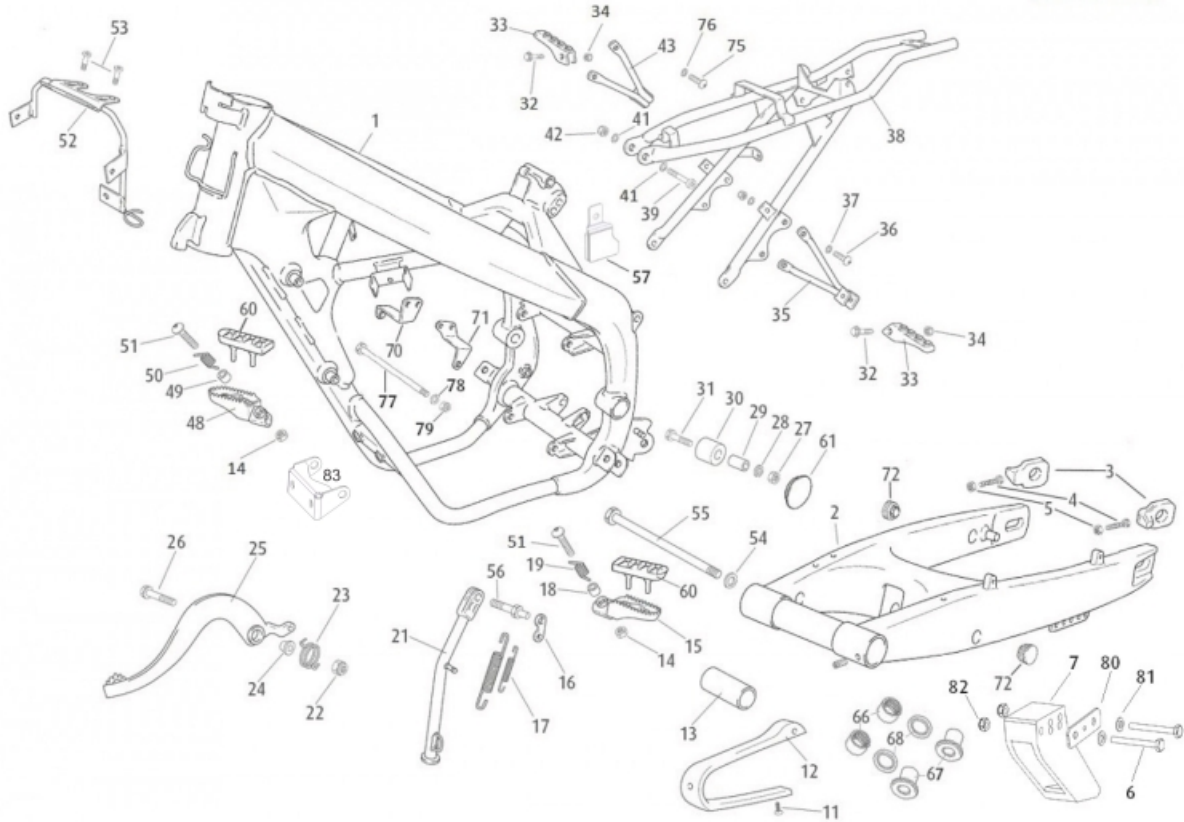


WR125 EU4 LC - Marathon



CHASSIS

MARATHON 125 PRO E4



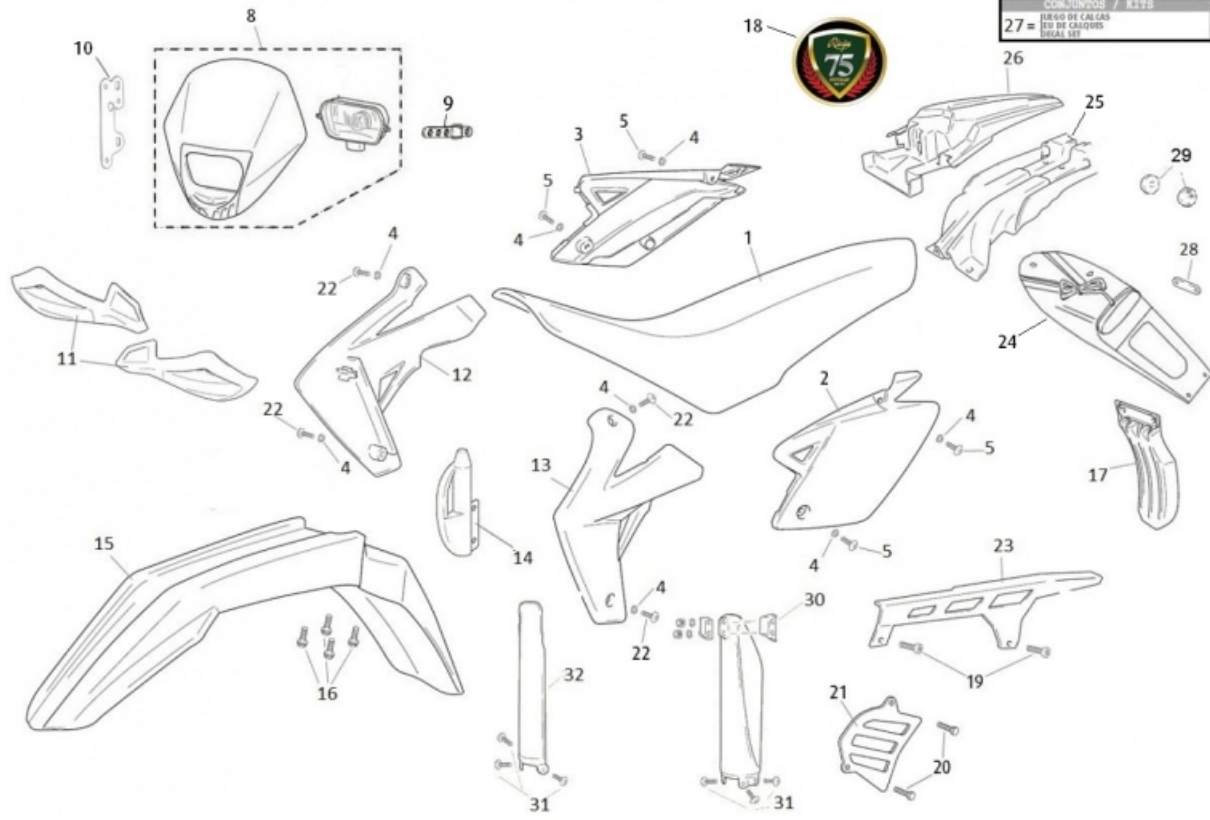
1	<ul style="list-style-type: none"> FULL CHASIS MRT 125 EURO 4 0/000.010.6011 (u. 1) 	
	<ul style="list-style-type: none"> MRT ALUMINIUM SWING ARM ASSY 0/K00.020.5212 (u. 1) 	OBSOLETE
2	<ul style="list-style-type: none"> TAPON NEGRO BASCULANTE ALUMINIO 0/000.410.5007 (u. 1) KIT BASCULANTE ALUMINIO COMPLETO MRT v.2 0/K00.020.5219 (u. 1) 	
3	<ul style="list-style-type: none"> WHEEL TENSOR 0/000.380.5212 (u. 2) 	
4	<ul style="list-style-type: none"> WHEEL TENSOR BOLT 0/000.460.0636 (u. 2) 	
5	<ul style="list-style-type: none"> WHEEL TENSOR NUT 0/000.340.0140 (u. 2) 	
6	<ul style="list-style-type: none"> SCREW DIN 933 M6x45 Cal.8.8 ZINC PLATED 0/000.460.0623 (u. 2) 	
7	<ul style="list-style-type: none"> RED CHAIN GUIDE 2018 0/000.710.0303 (u. 1) RED CHAIN SLIDE 0/000.710.0301 (u. 1) 	OBSOLETE
11	<ul style="list-style-type: none"> CHAIN SLIDER PLATE THREAD SCREW 0/000.460.0745 (u. 2) 	
12	<ul style="list-style-type: none"> RUBBER SKATE CHAIN MRX/SMX 0/000.360.5001 (u. 1) 	
13	<ul style="list-style-type: none"> SWING ARM SHAFT GUIDE BUSHING 0/000.480.5037 (u. 1) 	
14	<ul style="list-style-type: none"> SHOCK ABSORBER BOLT NUT 0/000.340.0182 (u. 2) 	

15	<ul style="list-style-type: none"> LEFT-HAND RIDER FOOTREST 0/000.740.0310 (u. 1) 	
16	<ul style="list-style-type: none"> PADDOCK STAND BOLT PIN 0/000.980.5102 (u. 1) 	
17	<ul style="list-style-type: none"> STAND SPRING TANGO 0/000.470.8000 (u. 1) 	
18	<ul style="list-style-type: none"> INNER RIGHT-HAND RIDER FOOTREST BUSHING 0/000.480.0215 (u. 1) 	
19	<ul style="list-style-type: none"> INNER FOOTREST SPRING 0/000.470.5002 (u. 1) 	
21	<ul style="list-style-type: none"> SIDESTAND TANGO 0/000.210.8000 (u. 1) 	
22	<ul style="list-style-type: none"> SILENTBLOC ATTACHMENT NUT 0/000.340.0181 (u. 1) 	
23	<ul style="list-style-type: none"> BRAKE LEVER SPRING 0/000.470.5011 (u. 1) 	
24	<ul style="list-style-type: none"> INNER BRAKE LEVER BUSHING 0/000.260.5001 (u. 1) 	
25	<ul style="list-style-type: none"> REAR BRAKE PEDAL 0/000.730.6002 (u. 1) 	
26	<ul style="list-style-type: none"> BRAKE PEDAL BOLT 0/000.460.0491 (u. 1) 	OBSOLETE
	<ul style="list-style-type: none"> TORNILLO DIN 6921 M8x60 Cal.8.8 Z/BLANCO 0/000.460.0493 (u. 1) 	
27	<ul style="list-style-type: none"> SILENTBLOC ATTACHMENT NUT 0/000.340.0181 (u. 1) 	
28	<ul style="list-style-type: none"> ROLLER WASHER 0/000.440.0161 (u. 1) 	
29	<ul style="list-style-type: none"> CHAIN ROLLER INNER BUSHING 0/000.480.0645 (u. 1) 	
30	<ul style="list-style-type: none"> RUBBER ROLLER CHAIN GUIDE 0/000.360.0792 (u. 1) 	
31	<ul style="list-style-type: none"> CHAIN ROLLER ATTACHMENT BOLT 0/000.460.0673 (u. 1) 	
32	<ul style="list-style-type: none"> SCREW DIN 6921 M6X35 0/000.460.0622 (u. 2) 	
33	<ul style="list-style-type: none"> PASSENGER FOOTREST (IRON) 0/000.740.0330 (u. 2) 	
34	<ul style="list-style-type: none"> PASSENGER FOOTREST NUT 0/000.340.0170 (u. 2) 	
35	<ul style="list-style-type: none"> PASSENGER LH FOOTREST SUPPORT 0/000.980.5108 (u. 1) 	
36	<ul style="list-style-type: none"> DRIVE PLATE BOLT 0/000.460.0670 (u. 2) 	
37	<ul style="list-style-type: none"> SILENTBLOC ATTACHMENT NUT 0/000.340.0181 (u. 2) 	
38	<ul style="list-style-type: none"> BLACK REAR FRAME 0/K00.010.5001 (u. 1) 	OBSOLETE
	<ul style="list-style-type: none"> MRT REAR CHASSIS 0/000.010.5007 (u. 1) 	
39	<ul style="list-style-type: none"> SCREW TORNILLO DIN 912 Allen M10x80 Cal.8.8 ZINC PLATED 0/000.460.6215 (u. 1) 	
41	<ul style="list-style-type: none"> REAR CHASSIS ATTACHMENT WASHER 0/000.440.0160 (u. 2) 	
42	<ul style="list-style-type: none"> REAR CHASSIS ATTACHMENT NUT 0/000.340.0187 (u. 1) 	

43	● PASSENGER RH FOOTREST SUPPORT 0/000.980.5107 (u. 1)	
48	● RIGHT-HAND RIDER FOOTREST 0/000.740.0300 (u. 1)	
49	● INNER RIGHT-HAND RIDER FOOTREST BUSHING 0/000.480.0215 (u. 1)	
50	● RIDER FOOTREST SPRING 0/000.470.5001 (u. 1)	
51	● RIDER FOOTREST BOLT 0/000.460.5100 (u. 2)	
52	● DASHBOARD KOSO EX02 SUPPORT 0/000.980.5033 (u. 1)	OBSOLETE
53	● TORNILLO ISO 7380 Torx T-25 con arandela M5x16 INOX 0/000.460.0083 (u. 2)	
	● INDICATOR ATTACHMENT BOLT 0/000.460.1170 (u. 2)	
54	● SWING ARM SHAFT WASHER 0/000.440.0123 (u. 1)	
55	● SWING ARM AXLE TANGO 0/000.190.8001 (u. 1)	
56	● PADDOCK STAND SPECIAL BOLT 0/000.460.8000 (u. 1)	
57	● KIT SOPORTE LATIGUILLOS MARATHON 125 EURO 4 0/K00.220.5000 (u. 1)	
60	● RUBBER FOOT PROTECTOR 0/000.360.5006 (u. 2)	
61	● PLASTIC STOPPER 0/000.410.0361 (u. 1)	
66	● NEEDLE ROLLER BEARING HK2220 0/000.960.0511 (u. 2)	
67	● TILTED SEPARATOR 0/000.260.5002 (u. 2)	
68	● SEAL BEARING 0/000.890.5004 (u. 2)	
70	● RIGHT SUPPORT BUTT 0/000.980.6114 (u. 1)	
71	● LEFT SUPPORT BUTT 0/000.980.6115 (u. 1)	
72	● SWING ARM MRT PRO CAP 0/000.410.0360 (u. 6)	
73	● SWING ARM STICKER RACING SERIES 2014 0/000.390.5139 (u. 1)	
75	● SCREW DIN 6921 M8x30 Cal.8.8 ZINC PLATED 0/000.460.0671 (u. 1)	
76	● SEPARATOR 0/000.480.5018 (u. 1)	
77	● FIXING SCREW FOR INTERIOR MOUNTING PLATE 118X65 0/000.460.0492 (u. 1)	
78	● SEPARATOR 0/000.480.5018 (u. 1)	
79	● (5 UNIT BAG) NUT DIN 6926 M10 Cal.8 Z / WHITE 0/000.340.0182B (u. 1)	
83	● MOTOR SUPPORT MRT 125 PRO 0/000.980.6116 (u. 1)	

PLASTICS

MARATHON 125 PRO E4

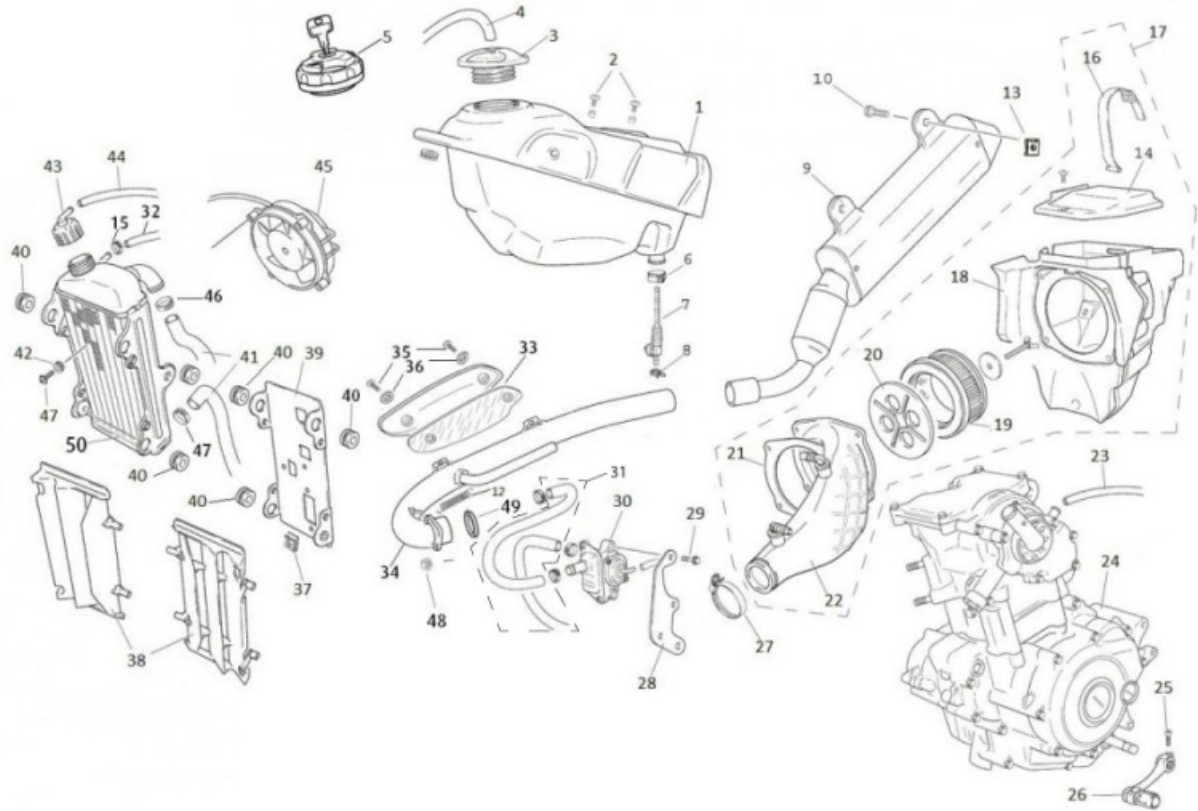


1	<ul style="list-style-type: none"> ● SEAT MRT PRO SPECIAL EDITION BLACK/RED 0/000.040.5016 (u. 1) ● SILLIN MRT PRO EDICION ESPECIAL NEGRO/ROJO 2021 0/000.040.5037 (u. 1) 	OBSOLETE
2	<ul style="list-style-type: none"> ● LATERAL REAR PLATE LH MRT RACING 2016 WHITE OR RED 0/R00.570.5103 (u. 1) 	
3	<ul style="list-style-type: none"> ● LATERAL REAR PLATE RH MRT RACING 2016 WHITE OR RED 0/R00.570.5102 (u. 1) 	
4	<ul style="list-style-type: none"> ● NYLON WASHER 0/000.440.5000 (u. 8) 	
5	<ul style="list-style-type: none"> ● SCREW ISO 7380 Allen M8x25 Cal.10.9 ZINC PLATED 0/000.460.2005 (u. 4) 	
8	<ul style="list-style-type: none"> ● FRONT HEADLAMP HOLDER MRT TROPHY 0/R00.620.5018 (u. 1) 	OBSOLETE
9	<ul style="list-style-type: none"> ● RUBBER SUPPORT 2002 HEAD LAMP 0/000.360.0172 (u. 4) 	
10	<ul style="list-style-type: none"> ● RH&LH HEADLAMP HALO SUPPORT 0/000.980.5113 (u. 2) 	
12	<ul style="list-style-type: none"> ● RADIATOR PLATE RH MRT RACING 2016 WHITE 0/R00.570.5100 (u. 1) 	
13	<ul style="list-style-type: none"> ● RADIATOR PLATE LH MRT RACING 2016 WHITE 0/R00.570.5101 (u. 1) 	
14	<ul style="list-style-type: none"> ● PROTECTIVE PUMP BACK BRAKE 0/000.220.5100 (u. 1) 	
15	<ul style="list-style-type: none"> ● FRONT MUDGUARD MRT RACING 2016 WHITE 0/R00.050.5010 (u. 1) 	OBSOLETE
16	<ul style="list-style-type: none"> ● HORN ATTACHMENT BOLT 0/000.460.0600 (u. 4) 	

17	<ul style="list-style-type: none"> ● SHOCK ABSORBER PROTECTOR PLASTIC 0/000.200.8000 (u. 1) 	
18	<ul style="list-style-type: none"> ● STICKER 75TH ANNIVERSARY 0/000.390.5166 (u. 1) 	OBSOLETE
19	<ul style="list-style-type: none"> ● TORNILLO ISO 7380 Torx T-25 con arandela M5x16 INOX 0/000.460.0083 (u. 2) 	
	<ul style="list-style-type: none"> ● INDICATOR ATTACHMENT BOLT 0/000.460.1170 (u. 2) 	
20	<ul style="list-style-type: none"> ● OUTPUT PINION PROTECTOR COVER ATTACH. BOLT 0/000.460.0285 (u. 2) 	
21	<ul style="list-style-type: none"> ● OUPUT PINION PROTECTOR COVER 0/000.220.6001 (u. 1) 	OBSOLETE
	<ul style="list-style-type: none"> ● OUTPUT PINION PROTECTOR COVER 0/000.220.6003 (u. 1) 	
22	<ul style="list-style-type: none"> ● SCREW M6X20 0/000.460.3031 (u. 4) 	
23	<ul style="list-style-type: none"> ● CHAIN GUARD 0/000.200.0400 (u. 1) 	
24	<ul style="list-style-type: none"> ● REAR LICENSE PLATE FENDER 2015 0/000.060.5114 (u. 1) 	
25	<ul style="list-style-type: none"> ● Rear Mudguard MRT 2015 0/000.060.5115 (u. 1) 	
26	<ul style="list-style-type: none"> ● REAR MUDGUARD MRT RACING 2016 WHITE 0/R00.060.5010 (u. 1) 	OBSOLETE
27	<ul style="list-style-type: none"> ● STICKERS SET MRT TROPHY RED/BLACK 2016 0/000.390.5149 (u. 1) 	OBSOLETE
	<ul style="list-style-type: none"> ● STICKERS SET RED-BLACK MRT TROPHY 2.0 0/000.390.5155 (u. 1) 	OBSOLETE
28	<ul style="list-style-type: none"> ● TAILPIECE REAR MUDGUARD REFLECTOR 0/000.630.0551 (u. 1) 	
29	<ul style="list-style-type: none"> ● REAR REFLECTOR (ROUND) 0/000.630.0530 (u. 2) 	
30	<ul style="list-style-type: none"> ● GUIDE 0/000.680.5010 (u. 1) 	
31	<ul style="list-style-type: none"> ● SCREW ISO 7380 Torx T-30 with washer M6x10 INOX 0/000.460.0038 (u. 2) 	
32	<ul style="list-style-type: none"> ● PROTECTOR HORQ. BLANCO C1L 0/R00.220.5021 (u. 1) 	

TANK-EXHAUST-RADIATOR

MARATHON 125 PRO E4

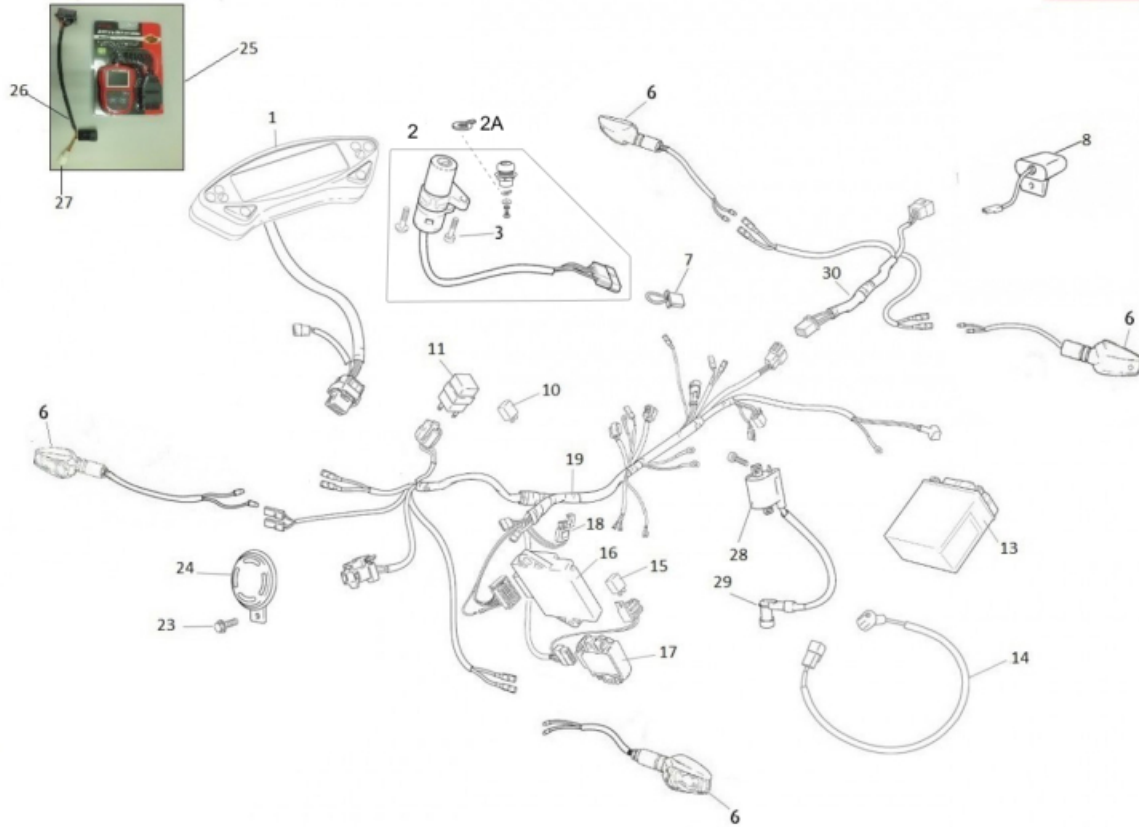


1	<ul style="list-style-type: none"> FUEL TANK WITH FUEL COCK 2010 0/000.030.5005 (u. 1) 	
2	<ul style="list-style-type: none"> SIDE PLATE ATTACHMENT BOLT 0/000.460.3036 (u. 2) 	
3	<ul style="list-style-type: none"> FUEL TANK CAP 0/000.410.5300 (u. 1) 	
4	<ul style="list-style-type: none"> HOSE COPOLAN-NBR Ø5 x Ø8 x 230 0/000.290.0648 (u. 1) 	
5	<ul style="list-style-type: none"> FUEL CAP WITH KEY MRT 2010 0/000.410.5301 (u. 1) 	
6	<ul style="list-style-type: none"> BAND GUIDE 0/000.680.5020 (u. 1) 	OBSOLETE
7	<ul style="list-style-type: none"> FUEL TAP DRAC R.R. 0/000.370.0500 (u. 1) 	
8	<ul style="list-style-type: none"> FUEL PIPE ELASTIC CLAMP 0/000.680.0510 (u. 1) 	
9	<ul style="list-style-type: none"> SILENCER 0/000.870.6001 (u. 1) 	
10	<ul style="list-style-type: none"> HORN ATTACHMENT BOLT 0/000.460.0600 (u. 2) 	
12	<ul style="list-style-type: none"> EXHAUST SPRING 0/000.470.6001 (u. 1) 	
13	<ul style="list-style-type: none"> QUICK NUT DIN 934 M6 0/000.340.5101 (u. 2) 	
14	<ul style="list-style-type: none"> MRT AIR FILTER COVER 0/000.350.5004 (u. 1) 	
15	<ul style="list-style-type: none"> CLAMP COBRA 11/7 W4 0/000.680.0527 (u. 1) 	

16	<ul style="list-style-type: none"> RUBBER FIXATION BATTERY 0/000.360.8002 (u. 1) 	
17	<ul style="list-style-type: none"> CAJA FILTRO COMPLETA 0/000.910.6001 (u. 1) 	
18	<ul style="list-style-type: none"> FILTER BOX HOUSING 0/000.910.5200 (u. 1) 	OBSOLETE
19	<ul style="list-style-type: none"> FOAM AIR FILTER 0/001.070.6001 (u. 1) 	
20	<ul style="list-style-type: none"> FILTER BOX CHOKE 0/000.350.5005 (u. 1) 	
21	<ul style="list-style-type: none"> ARO FIJACION TOBERA CAJA FILTRO 0/000.910.5201 (u. 1) 	
22	<ul style="list-style-type: none"> FILTER BOX TO CARBURETTOR JOIN RUBBER 0/000.360.6010 (u. 1) 	
23	<ul style="list-style-type: none"> COPOLAN-NBR-NVC TUBE Ø8 x Ø12 x 230 0/000.290.0666 (u. 1) 	
25	<ul style="list-style-type: none"> METRIC SCREW 6 x 22 0/000.460.0310 (u. 1) 	
26	<ul style="list-style-type: none"> GEAR CHANGE PEDAL 0/005.430.6001 (u. 1) 	
27	<ul style="list-style-type: none"> FILTER BOX RUBBER CLAMP 0/000.680.7002 (u. 1) 	
28	<ul style="list-style-type: none"> VALVE SUPPORT AIS 2011 0/000.980.7032 (u. 1) 	
29	<ul style="list-style-type: none"> SCREW DIN 7985 Phillips M6x10 Cal.4.8 ZINC PLATED 0/000.460.1704 (u. 2) 	
30	<ul style="list-style-type: none"> AIS VALVE IN/OUT BI-DIRECTIONAL 0/000.640.0002 (u. 1) 	
	<ul style="list-style-type: none"> IN/OUT AIS VALVE BIDIRECTIONAL SENTEC 0/000.640.0018 (u. 1) 	OBSOLETE
31	<ul style="list-style-type: none"> VALVE PIPE SET 0/000.640.6010 (u. 1) 	
	<ul style="list-style-type: none"> MANGUITO OUT VALVULA AIS MRT 125 (V.AIS / ESCAPE) 0/000.640.6019 (u. 1) 	
32	<ul style="list-style-type: none"> HOSE EPDM Ø6 x Ø9 x 430 0/000.290.0664 (u. 1) 	
33	<ul style="list-style-type: none"> EXHAUST PIPE PROTECTOR MARATHON 125 EURO 4 0/000.220.6007 (u. 1) 	
34	<ul style="list-style-type: none"> MRT 125 EURO 4 EXHAUST PIPE + PROTECTOR 0/000.290.6015 (u. 1) 	
35	<ul style="list-style-type: none"> SCREW M6X20 0/000.460.3031 (u. 2) 	
36	<ul style="list-style-type: none"> WASHER 0/000.440.6000 (u. 2) 	
37	<ul style="list-style-type: none"> QUICK NUT DIN 934 M6 0/000.340.5101 (u. 1) 	
38	<ul style="list-style-type: none"> RED RADIATOR PROTECTOR MRT 0/000.220.0593 (u. 2) 	
39	<ul style="list-style-type: none"> SUPPORT ELECTRICAL SYSTEM 0/000.980.6010 (u. 1) 	
40	<ul style="list-style-type: none"> RUBBER SILEMBLOCK 0/000.360.0400 (u. 3) 	
41	<ul style="list-style-type: none"> RADIATOR HOSE SET 0/000.640.6007 (u. 1) 	
43	<ul style="list-style-type: none"> RADIATOR CAP 0/000.410.5102 (u. 1) 	

44	<ul style="list-style-type: none">• HOSE EPDM Ø6 x Ø9 x 650 0/000.290.0649 (u. 1)
45	<ul style="list-style-type: none">• ELECTROVENTILADOR MRT 125 2019 0/005.060.6001 (u. 1) - <i>A PARTIR N° VIN VTPMRT20D00G02960</i>• RADIATING VENTILATOR 0/005.060.6000 (u. 1)
46	<ul style="list-style-type: none">• RADIATOR HOSE CLAMPS 0/000.680.0550 (u. 1)
47	<ul style="list-style-type: none">• RADIATOR HOSE CLAMPS 0/000.680.0550 (u. 1)
48	<ul style="list-style-type: none">• BLIND NUT M8 0/000.340.7031 (u. 1)
49	<ul style="list-style-type: none">• EXHAUST GASKET 0/000.490.6000 (u. 1)
50	<ul style="list-style-type: none">• KIT RADIATOR MRT 2016 0/K00.580.5000 (u. 1)

ELECTRICAL

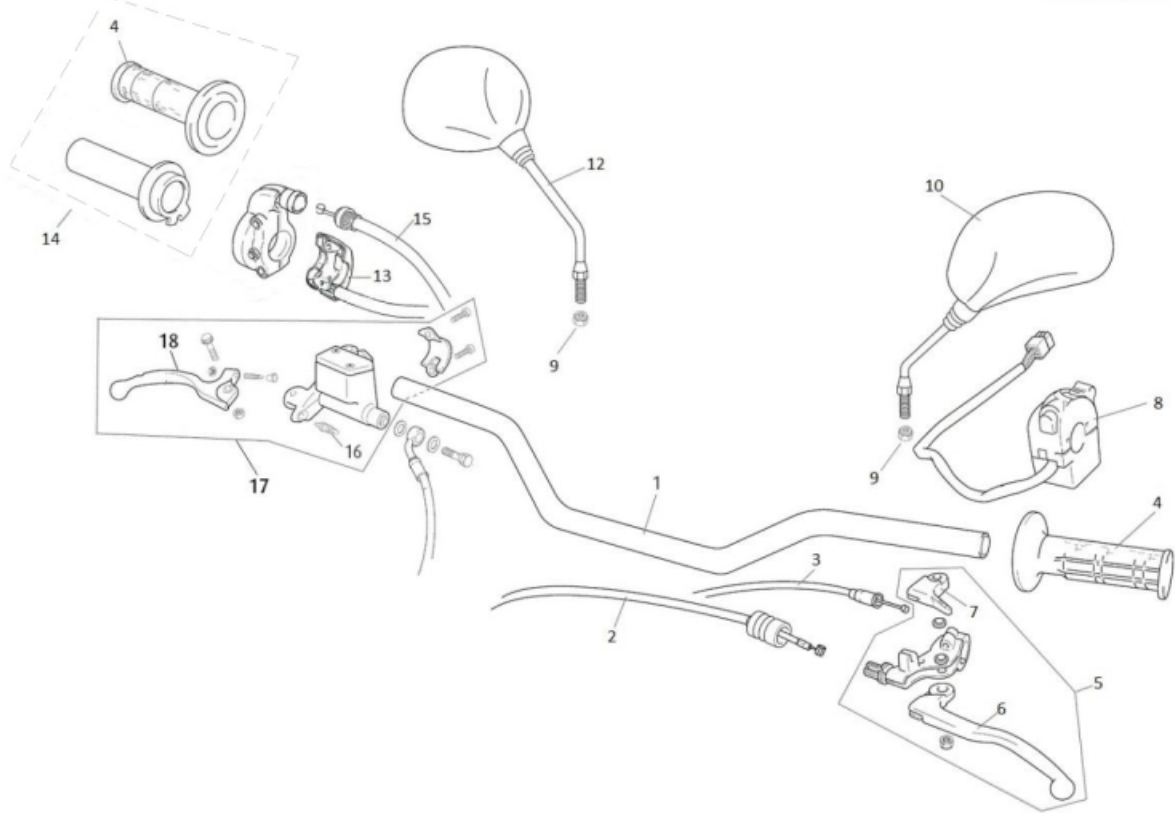


1	<ul style="list-style-type: none"> ● CTA REPLACEMENT KIT. KMS. COMPLETE KOSO EX02 EURO 4 WITHOUT SENSOR 0/K01.000.5104 (u. 1) ● CTA. KMS. COMPLETO KOSO EX02 EURO 4 SIN SENSOR 0/001.000.2108 (u. 1) 	OBSELETE
2	<ul style="list-style-type: none"> ● KEY AND LOCK SET RR/MRX 2007 0/001.060.0041 (u. 1) ● KEY SET MRT v.2 2021 0/001.060.5000 (u. 1) - ADD 0/000.220.5019 	OBSELETE
2A	<ul style="list-style-type: none"> ● CHAPA BLOQUEO CIERRE TAPON GASOLINA MRT v.2 0/000.220.5019 (u. 1) 	
3	<ul style="list-style-type: none"> ● TORNILLO ISO 7380 con pin Torx T-40 M8x20 INOX 0/000.460.0097 (u. 2) ● TORNILLO ISO 7380 con pin Torx T-40 M8x20 INOX 0/000.460.0097 (u. 2) ● IGNTIION KEY BARREL BOLT 0/000.460.2003 (u. 2) 	OBSELETE
6	<ul style="list-style-type: none"> ● PAIR INDICATORS 2011 0/000.150.3000 (u. 2) 	
7	<ul style="list-style-type: none"> ● AIR SENSOR 0/005.070.6017 (u. 1) 	
8	<ul style="list-style-type: none"> ● PILOT BACK LIGHT NAKED 125 0/000.150.6000 (u. 1) 	
9	<ul style="list-style-type: none"> ● SUPLEMENTO INSTALACION CENTRALITA LEDS C/ CONDENSADOR 0/000.160.5033 (u. 1) 	
10	<ul style="list-style-type: none"> ● RELÉ ELECTROVENTILADOR 0/001.200.0401 (u. 1) 	
11	<ul style="list-style-type: none"> ● FLASHER UNIT 0/001.200.3000 (u. 1) 	

13	● Battery 12V A4 (114x71x106) 0/000.900.6000 (u. 1)	
14	● SUPLEMENTO INSTALACION MOTOR ARRANQUE 0/000.160.6025 (u. 1)	
15	● RELAY STARTS 70A 0/001.200.6001 (u. 1)	
16	● SWITCHBOARD C.D.I. 125 PRO EURO4 2017 0/005.705.3948 (u. 1)	
17	● Regulator Pump 0/226.012.0008 (u. 1)	
18	● FUSIBLE SCOOTER 0/000.910.0610 (u. 1)	
19	● INSTALACION PRINCIPAL ELECTRICA MRT 125 EURO 4 2019 0/000.160.6036 (u. 1) - <i>A PARTIR N° VIN VTPMRT20D00G02960</i>	
	● MAIN HARNESS MRT 125 EURO 4 0/000.160.6029 (u. 1)	OBSOLETE
23	● HORN ATTACHMENT BOLT 0/000.460.0600 (u. 1)	
24	● HORN CLASS II TYPE DL128J - 12V 0/000.420.5011 (u. 1)	
25	● OBD READER AND HARNESS SUPPLEMENT EURO 4 0/K00.160.6000 (u. 1)	
26	● OBD HARNESS SUPPLEMENT EURO 4 0/000.160.6022 (u. 1)	
27	● OBD CONNECTOR CAP 0/000.410.0364 (u. 1)	
28	● OUTER COIL 0/005.702.1500 (u. 1)	
29	● ENGINE SPARK PLUG PIPE 125 2009 0/005.110.6002 (u. 1)	
30	● REAR ELECTRICAL INSTALLATION MRT 0/000.160.6006 (u. 1)	

HANDLEBAR

MARATHON 125 PRO E4

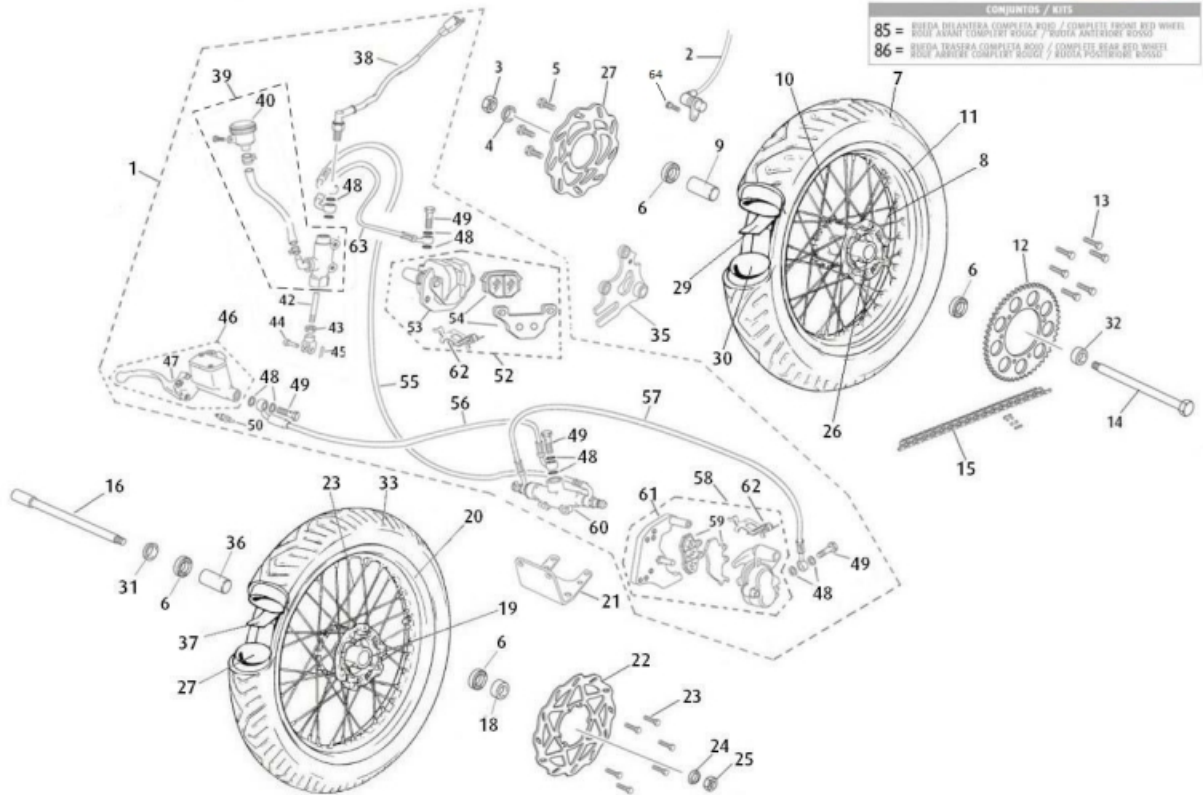


1	<ul style="list-style-type: none"> ● MANILLAR NEGRO DIAMETRO VARIABLE 0/000.170.9001 (u. 1) ● Variable Diameter Black Handlebar 0/000.170.9000 (u. 1) 	OBSOLETE
2	<ul style="list-style-type: none"> ● Clutch Cable Complete MRT 125 2009 0/000.550.6005 (u. 1) 	
3	<ul style="list-style-type: none"> ● STARTER CABLE 0/000.550.6007 (u. 1) 	
4	<ul style="list-style-type: none"> ● HANDLEBAR GRIPS 0/000.530.5010 (u. 1) 	
5	<ul style="list-style-type: none"> ● FULL CLUTCH LEVER 0/000.830.8300 (u. 1) 	
6	<ul style="list-style-type: none"> ● Clutch Lever Only Tango 250 0/000.830.8301 (u. 1) 	
7	<ul style="list-style-type: none"> ● SINGLE STARTER LEVER 0/000.830.8302 (u. 1) 	
8	<ul style="list-style-type: none"> ● LEFT SWITCH MRT 125 E4 0/000.720.6004 (u. 1) 	
9	<ul style="list-style-type: none"> ● TUERCA ADAPTADOR ESPEJO 0/000.465.8300 (u. 2) 	OBSOLETE
10	<ul style="list-style-type: none"> ● L/H MIRROR TANGO 0/000.990.8001 (u. 1) 	
11	<ul style="list-style-type: none"> ● MUELLE PASACABLES EMBRAGUE TANGO 250 2011 0/000.470.8002 (u. 1) 	
12	<ul style="list-style-type: none"> ● R/H MIRROR TANGO 0/000.990.8000 (u. 1) 	
13	<ul style="list-style-type: none"> ● INTERRUPTOR START 0/000.720.6001 (u. 1) 	

14	<ul style="list-style-type: none">● GAS THROTTLE COMPETITION 0/000.530.6000 (u. 1)
15	<ul style="list-style-type: none">● Throttle Cable Complete MRT 125 2009 0/000.550.6006 (u. 1)
17	<ul style="list-style-type: none">● FRONT BRAKE PUMP WITH LEVER CBS 0/000.820.0325 (u. 1)
18	<ul style="list-style-type: none">● BRAKE LEVER ONLY 0/000.830.1011 (u. 1)

WHEELS - BRAKES

MARATHON 125 PRO E4



CONJUNTOS / KITS
 85 = RUEDA DELANTERA COMPLETA BOLD / COMPLETE FRONT BOLD WHEEL
 RUEDA AVANTI COMPLETA BOLD / RUOTA ANTERIORE BOLD
 86 = RUEDA TRASERA COMPLETA BOLD / COMPLETE REAR BOLD WHEEL
 RUEDA AVANTI COMPLETA BOLD / RUOTA POSTERIORE BOLD

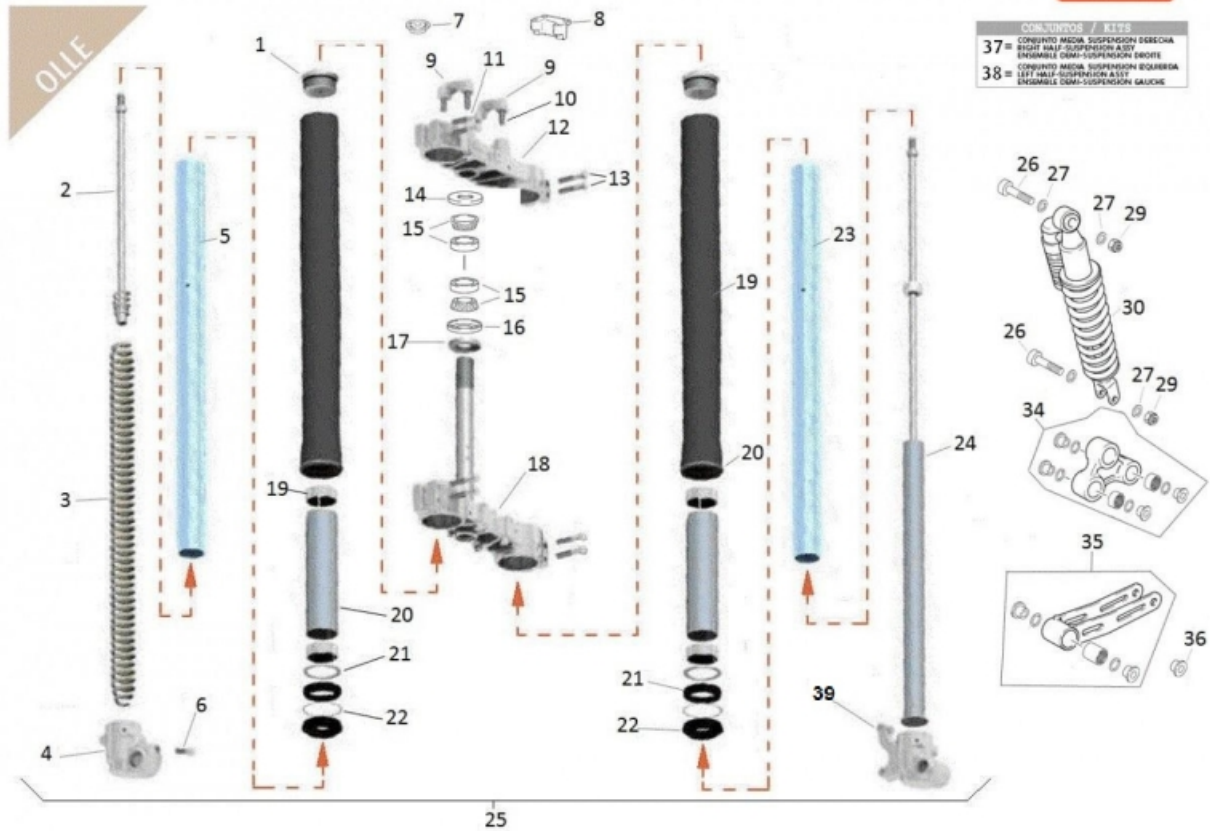
1	<ul style="list-style-type: none"> ● CONJUNTO FRENADA COMBINADA MARATHON 125 PRO 0/000.820.0775 (u. 1)
2	<ul style="list-style-type: none"> ● SA-01 SPEED SENSOR WITOUT O-RING 0/001.010.2102 (u. 1)
3	<ul style="list-style-type: none"> ● SWING ARM SHAFT NUT 0/000.340.0186 (u. 1)
4	<ul style="list-style-type: none"> ● SWING ARM SHAFT WASHER 0/000.440.0123 (u. 1)
5	<ul style="list-style-type: none"> ● SCREW DIN 933 M8x25 Cal.8.8 ZINC PLATED 0/000.460.0723 (u. 3)
6	<ul style="list-style-type: none"> ● FRONT WHEEL BEARING 0/000.960.0050 (u. 4)
7	<ul style="list-style-type: none"> ● MOTORCYCLE TYRE 130/70-17 62S TL MC25 BOGART MI 0/000.510.0563 (u. 1)
8	<ul style="list-style-type: none"> ● SPOKE 199 X 3.5 0/000.540.5009 (u. 18) ● RADIOS TRASERO 199 X 3.5 + CABECILLA RADIO M4 LARGA 0/K00.540.5009 (u. 18)
9	<ul style="list-style-type: none"> ● INTERNAL SEPARATOR 0/000.480.5040 (u. 1)
11	<ul style="list-style-type: none"> ● REAR WHEEL RIM 17" x 3,5" 0/000.230.0859 (u. 1)
12	<ul style="list-style-type: none"> ● REAR SPROCKET z56 428 1/2"x5/16" r.8,51 e7 0/000.500.6002 (u. 1)
13	<ul style="list-style-type: none"> ● DRIVE PLATE BOLT 0/000.460.0670 (u. 6)
14	<ul style="list-style-type: none"> ● REAR WHEEL SHAFT 0/000.190.5303 (u. 1)

15	<ul style="list-style-type: none"> Chain 428 Pitch 136 Links 0/001.050.6010 (u. 1) 	
16	<ul style="list-style-type: none"> MRT PRO SHFT KIT 2013 0/K00.190.0000 (u. 1) 	
18	<ul style="list-style-type: none"> SPOKE 194 X 3.5 0/000.540.5008 (u. 1) 	OBSOLETE
	<ul style="list-style-type: none"> RADIOS TRASERO 194 X 3.5 + CABECILLA RADIO M4 LARGA 0/K00.540.5008 (u. 1) 	
19	<ul style="list-style-type: none"> RED FRONT WHEEL HUB 0/000.070.0125 (u. 1) 	
20	<ul style="list-style-type: none"> FRONT WHEEL RIM 17" x 2.5" RED 0/000.230.0809 (u. 1) 	
21	<ul style="list-style-type: none"> SOPORTE VALVULA CBS MARATHON 125 PRO 0/000.980.6025 (u. 1) 	
22	<ul style="list-style-type: none"> FRONT BRAKE DISC D.300 0/K01.090.0003 (u. 1) 	
23	<ul style="list-style-type: none"> FRONT BRAKE DISC ATTACHMENT BOLT 0/000.460.0693 (u. 6) 	
24	<ul style="list-style-type: none"> SWING ARM SHAFT WASHER 0/000.440.0123 (u. 1) 	
25	<ul style="list-style-type: none"> SWING ARM SHAFT NUT 0/000.340.0186 (u. 1) 	
26	<ul style="list-style-type: none"> REAR WHEEL HUB RED 0/000.080.0125 (u. 1) 	
27	<ul style="list-style-type: none"> REAR BRAKE DISK WAVE Ø200 2016 0/001.090.0266 (u. 1) 	
29	<ul style="list-style-type: none"> PROTECTOR CAMARA TRAS. 615 x 35mm - 17" 0/000.220.0026 (u. 1) 	
30	<ul style="list-style-type: none"> MOTORCYCLE TUBE 130/70-17 TR5 PG 0/000.520.0563 (u. 1) 	
32	<ul style="list-style-type: none"> WHEEL SEPARATOR 0/000.480.8000 (u. 1) 	
33	<ul style="list-style-type: none"> MOTORCYCLE TYRE 100/80-17 52S TL MC25 BOGART MI 0/000.510.0553 (u. 1) 	OBSOLETE
34	<ul style="list-style-type: none"> SPOKE . 195 X 3.08 0/000.540.5010 (u. 36) 	OBSOLETE
	<ul style="list-style-type: none"> RADIOS DELANTERO. 195 X 3.08 SMX 2007 + CABECILLA 0/K00.540.5010 (u. 36) 	
35	<ul style="list-style-type: none"> REAR BRAKE CALIPER SUPPORT MARATHON 125 0/000.980.6021 (u. 1) 	
36	<ul style="list-style-type: none"> SPACER Ø22x3.25x66.5 0/000.480.5039 (u. 1) 	
37	<ul style="list-style-type: none"> PROTECTOR CAMARA DEL. 615 x 25mm - 17" 0/000.220.0025 (u. 1) 	
38	<ul style="list-style-type: none"> SWITCH STOP REAR BRAKE PUMP CBS 2017 0/000.720.0072 (u. 1) 	
39	<ul style="list-style-type: none"> COMPLETE REAR BRAKE PUMP CBS 2017 0/000.820.0326 (u. 1) 	
40	<ul style="list-style-type: none"> BRAKE FLUID TANK 0/000.030.0170 (u. 1) 	
42	<ul style="list-style-type: none"> BRAKE PUMP PUSHROD 0/000.240.5001 (u. 1) 	
43	<ul style="list-style-type: none"> (5 UNIT BAG) NUT DIN 934 M6 Cal.8 Z / WHITE 0/000.340.0130B (u. 1) 	
44	<ul style="list-style-type: none"> BRAKE LEVER PIN 0/000.840.0090 (u. 1) 	

45	● SECURING PIN 0/000.840.0060 (u. 1)	
46	● FRONT BRAKE PUMP WITH LEVER CBS 0/000.820.0325 (u. 1)	
47	● BRAKE LEVER ONLY 0/000.830.1011 (u. 1)	
48	● BRAKE HOSE BOLT WASHER 0/000.440.7002 (u. 10)	
49	● BLEEDING BOLT M10x100 0/000.460.7013 (u. 4)	
50	● STOP SWITCH 0/000.720.0070 (u. 1)	
52	● REAR BRAKE CALIPER WITH HOLDER CBS 2017 0/000.860.5121 (u. 1)	
53	● REAR BRAKE CALIPER HOLDER CBS 2017 0/000.640.0052 (u. 1)	
54	● BRAKE PADS CBS 0/000.930.0097 (u. 1)	
55	● BRAKE PIPE FROM CBS VALVE TO REAR BRAKE CALIPER 0/000.290.0276 (u. 1)	
56	● TUBO FRENO VALVULA CBS BOMBA FRENO DELANTERA 0/000.290.0278 (u. 1)	
57	● FRONT BREAK PIPE CBS VALVE TO CALLIPER 0/000.290.0277 (u. 1)	
58	● SINGLE FRONT BRAKE CALIPER 0/000.860.5117 (u. 1)	
59	● BRAKE PADS SET 0/000.930.3005 (u. 1)	
60	● CBS VALVE ASSY 0/000.640.0045 (u. 1)	
61	● CALIPER SUPPORT KIT (FORK RV6) 0/000.640.0037 (u. 1)	OBSOLETE
62	● SET SPRING 0/000.640.0049 (u. 2)	
63	● REAR BRAKE PIPI FROM PUMP TO CALIPER 0/000.290.0279 (u. 1)	
64	● SCREW M6X20 0/000.460.3031 (u. 1)	

FRONT FORK

MARATHON 125 PRO E4



COMPLUNTO / KITS
 37 = CONJUNTO MEDIA SUSPENSION DERECHA
 RIGHT HALF-SUSPENSION ASST
 ENSEMBLE DROIT-SUSPENSION DROITE
 38 = CONJUNTO MEDIA SUSPENSION IZQUIERDA
 LEFT HALF-SUSPENSION ASST
 ENSEMBLE GAUCHE-SUSPENSION GAUCHE

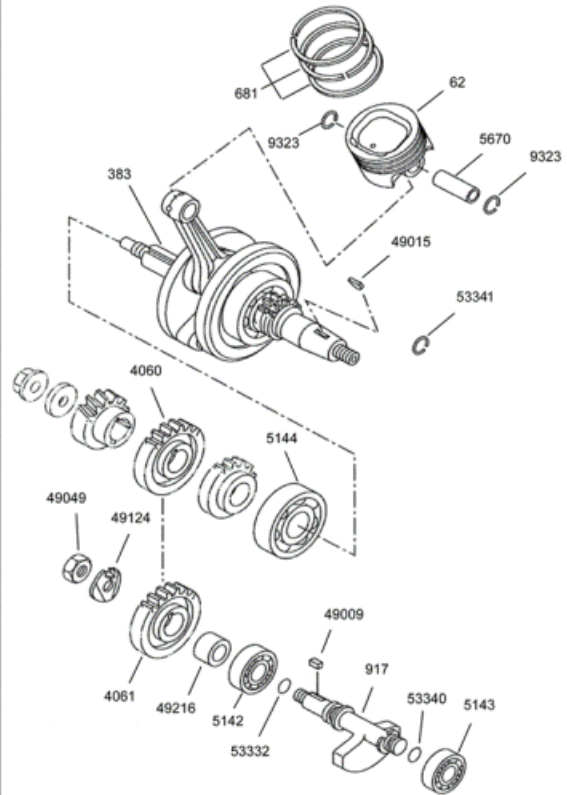
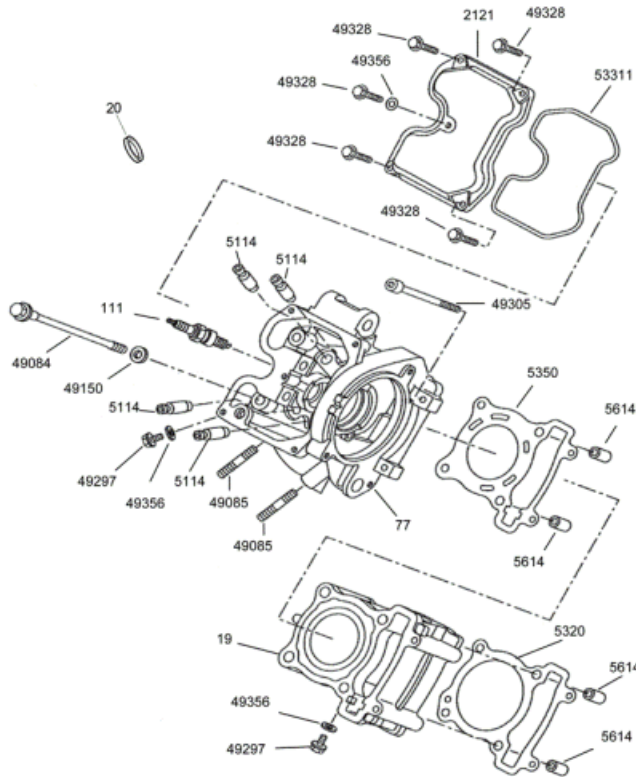
1	● PLUG 0/000.410.5203 (u. 2)
2	● HYDRAULIC PIPE SET RIGHT 0/000.640.5116 (u. 1)
3	● MAIN SPRING TUBE 0/000.470.5103 (u. 1)
4	● RIGHT TOE 0/000.880.5006 (u. 1)
5	● RIGHT FORK TUBE SUSP. R16V MRT PRO 0/000.290.5209 (u. 1)
6	● SCREW 0/000.460.0340 (u. 1)
7	● UPPER FORK CAP FORK R16V MRT PRO 0/000.410.5204 (u. 1)
8	● SUPPORT ODOMETER MRT R16V 0/000.980.5059 (u. 1)
9	● HANDLE BAR HOLDER FORK R16V Ø28 0/000.350.5213 (u. 2)
10	● SCREW M8X25 0/000.460.0345 (u. 4)
11	● UPPER NUT 0/000.340.5201 (u. 1)
12	● PLATINA SUPERIOR PARA HORQUILLA COLOR ORO 0/000.660.5004 (u. 1)
13	● VIS DIN 7984 M8x40 0/000.460.5202 (u. 8)
14	● UPPER STEERING FORK DUST COVER 0/000.200.0001 (u. 1)

15	<ul style="list-style-type: none"> ● STEERING BEARING MOD/PT101 0/000.960.0200 (u. 2) 	
16	<ul style="list-style-type: none"> ● STEERING DUSTGUARD 0/000.200.7000 (u. 1) 	OBSOLETE
	<ul style="list-style-type: none"> ● UPPER STEERING FORK DUST COVER 0/000.200.0001 (u. 1) 	
17	<ul style="list-style-type: none"> ● COVER 0/000.200.7001 (u. 1) 	OBSOLETE
	<ul style="list-style-type: none"> ● LOWER NUT 0/000.340.5202 (u. 1) 	
18	<ul style="list-style-type: none"> ● LOWER PLATE SILVER 0/000.660.5005 (u. 1) 	
19	<ul style="list-style-type: none"> ● RED FORK TUBE L/R R16V MRT PRO 0/000.880.5008 (u. 2) 	
20	<ul style="list-style-type: none"> ● FROK TUBE RING R16V MRT PRO 0/000.300.5002 (u. 2) 	
21	<ul style="list-style-type: none"> ● FORK RETAINER 0/000.890.5005 (u. 2) 	
22	<ul style="list-style-type: none"> ● FORK SCRAPER RETAINER 0/000.890.5006 (u. 2) 	
	<ul style="list-style-type: none"> ● GUARDAPOLVO BE20130GG-CAU-1 (u. 2) 	OBSOLETE
	<ul style="list-style-type: none"> ● FORK SCRAPER RETAINER 0/000.890.5006 (u. 2) 	
23	<ul style="list-style-type: none"> ● LEFT FORK TUBE SUSP. R16V MRT PRO 0/000.290.5208 (u. 1) 	
24	<ul style="list-style-type: none"> ● HYDRAULIC PIPE SET LEFT 0/000.640.5117 (u. 1) 	
25	<ul style="list-style-type: none"> ● COMPLETE FORK ASSY Ø41 R16V RED 0/000.130.5111 (u. 1) 	
26	<ul style="list-style-type: none"> ● (BOLSA 5 uds) TLLO DIN 912 JS500 M10x50 0/000.460.0402B (u. 2) 	
27	<ul style="list-style-type: none"> ● (5 uds) WASHER DIN 125/A M10 Z/WHITE 0/000.440.0110B (u. 4) 	
29	<ul style="list-style-type: none"> ● (5 UNIT BAG) NUT DIN 6926 M10 Cal.8 Z / WHITE 0/000.340.0182B (u. 2) 	
30	<ul style="list-style-type: none"> ● SHOCK ABSORBER ADJUSTABLE MRT 125 2010 0/000.180.6003 (u. 1) 	
34	<ul style="list-style-type: none"> ● SUPORT TRAPEZE ROD 0/000.980.5103 (u. 1) 	
35	<ul style="list-style-type: none"> ● COMPLETE LINK 2009 0/000.770.0105 (u. 1) 	
36	<ul style="list-style-type: none"> ● REDUCTOR 0/000.480.5038 (u. 1) 	
37	<ul style="list-style-type: none"> ● RIGHT FORK SET R16V MRT PRO 0/000.640.5503 (u. 1) 	
38	<ul style="list-style-type: none"> ● LEFT FORK SET R16V MRT PRO 0/000.640.5513 (u. 1) 	
39	<ul style="list-style-type: none"> ● LEFT TOE FORK R16V MRT PRO 0/000.880.5007 (u. 1) 	

WR125 EU4 LC - Marathon

CYLINDRE HEAD-CRANKSHAFT

MOTOR WR125 EU-4 LIQUID COOLED



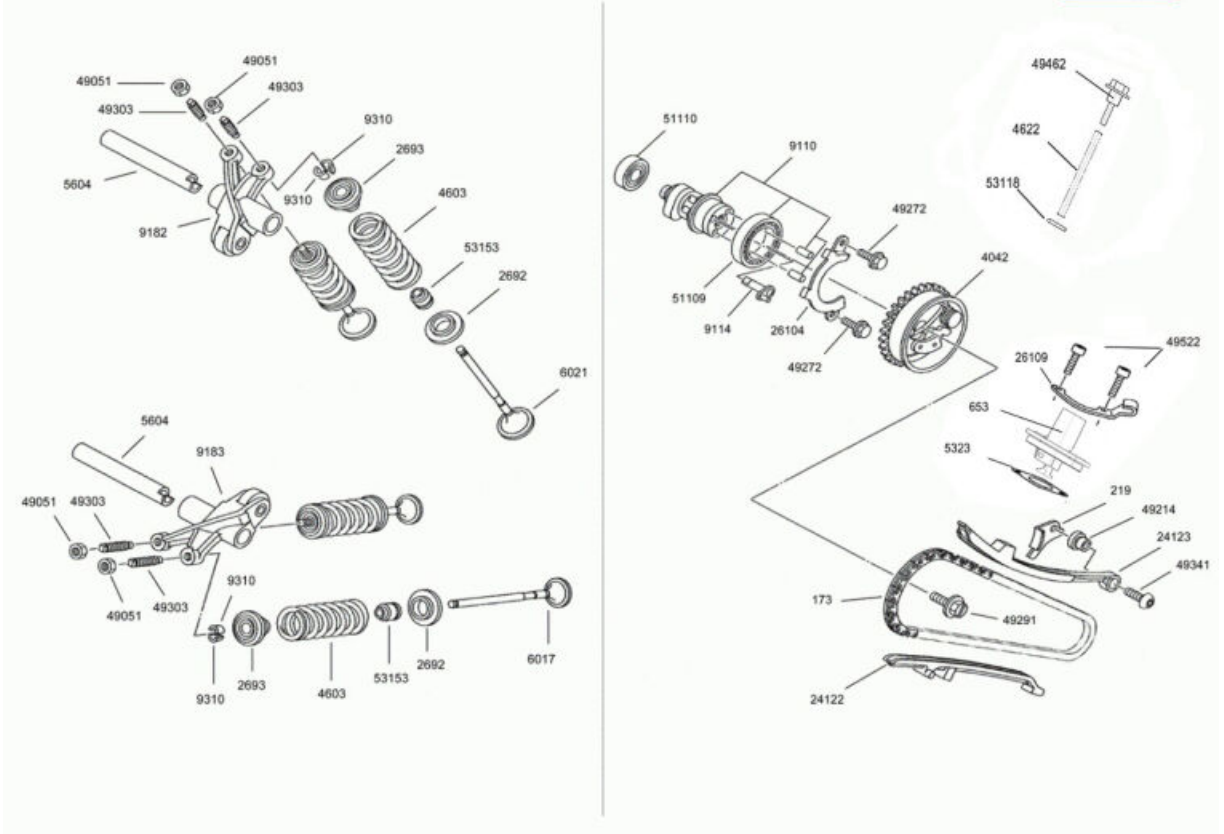
19	<ul style="list-style-type: none"> KIT CYLINDER BLOCK AND PISTON COMPLETE WR125 E3 0/K00.001.6310 (u. 1)
20	<ul style="list-style-type: none"> EXHAUST GASKET 0/000.490.6000 (u. 1)
62	<ul style="list-style-type: none"> KIT PISTON COMPLETE WR125 E3 0/K00.002.6310 (u. 1)
77	<ul style="list-style-type: none"> HEAD CYLINDER 1 0/226.001.0003 (u. 1)
111	<ul style="list-style-type: none"> SPARK PLUG NGK CR8E 0/226.001.0004 (u. 1)
383	<ul style="list-style-type: none"> CRANK ASSY 0/226.001.0005 (u. 1)
681	<ul style="list-style-type: none"> PISTON RING SET (STD) 0/226.001.0006 (u. 1)
917	<ul style="list-style-type: none"> WEIGHT 1 0/226.001.0007 (u. 1)
2121	<ul style="list-style-type: none"> COVER,CYLINDER HEAD 1 0/226.001.0008 (u. 1)
4060	<ul style="list-style-type: none"> GEAR DRIVE 0/226.001.0009 (u. 1)
4061	<ul style="list-style-type: none"> GEAR BALANCE WEIGHT 0/226.001.0010 (u. 1)
5114	<ul style="list-style-type: none"> GUIDE VALVE 1 OVER SIZE 0/226.001.0011 (u. 4)
5142	<ul style="list-style-type: none"> BEARING 0/226.001.0012 (u. 1) RODAMIENTO EJE BALANCE 0/006.250.0045 (u. 1)

OBSOLETE

5143	● BEARING 0/226.001.0013 (u. 1)
5144	● BEARING 0/226.001.0014 (u. 1)
5320	● GASKET CYLINDER 0/226.001.0015 (u. 1)
5350	● GASKET CYLINDER HEAD 1 0/226.001.0016 (u. 1)
5614	● PIN DOWEL 0/226.006.0012 (u. 8)
5670	● PIN PISTON 0/226.001.0017 (u. 1)
9323	● CIRCLIP 0/226.001.0018 (u. 2)
49009	● KEY, STRAIGHT 0/226.001.0019 (u. 1)
49015	● KEY WOODRUFF 0/226.001.0020 (u. 1)
49049	● NUT HEX. 0/226.001.0021 (u. 1)
49084	● BOLT FLG. 0/226.001.0022 (u. 4)
49085	● HEAD ANTI-VIBRATION 0/226.001.0023 (u. 2)
49124	● WASHER TONGUED 0/226.001.0024 (u. 1)
49150	● WASHER PLAIN 0/226.001.0025 (u. 4)
49216	● COLLAR 0/226.001.0026 (u. 1)
49297	● BOLT FLG 0/226.001.0027 (u. 2)
49305	● BOLT HEX. SOCKET HEAD 0/226.001.0028 (u. 2)
49328	● BOLT FLG SMALL 0/226.001.0034 (u. 9)
49356	● GASKET 0/226.001.0029 (u. 3)
53311	● GASKET HEAD COVER 1 0/226.001.0030 (u. 1)
53332	● O-RING 0/226.001.0031 (u. 1)
53340	● O-RING 0/226.001.0032 (u. 1)
53341	● CIRCLIP 0/226.009.0021 (u. 1)

VALVES DISTRIBUTION CHAIN

MOTOR WR125 EU-4 LIQUID COOLED

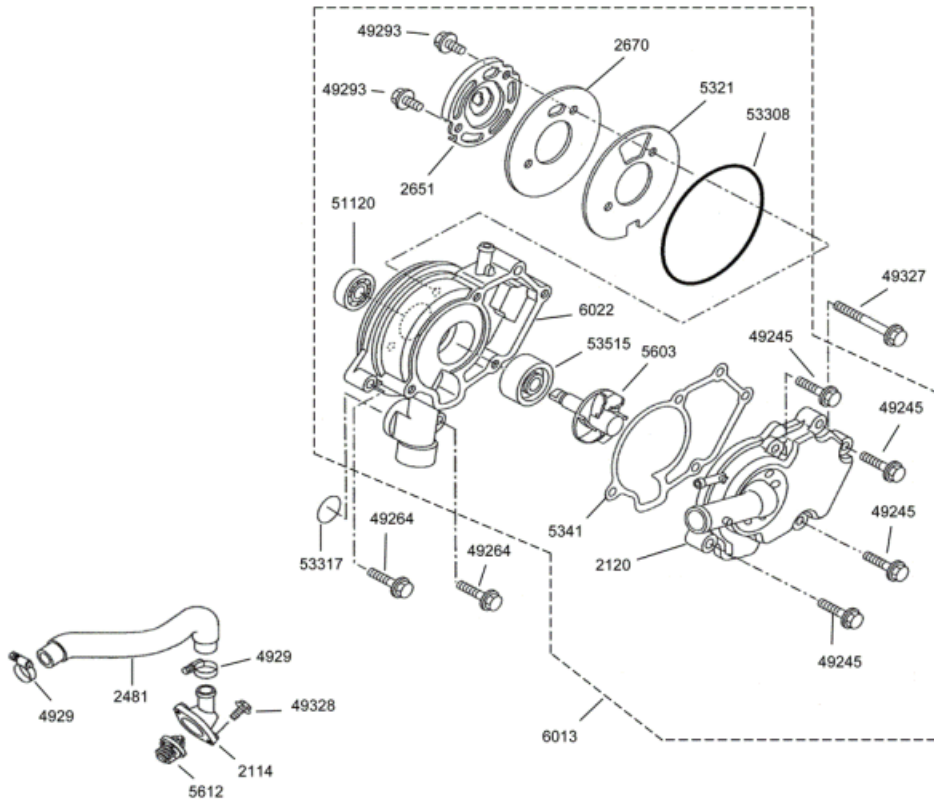


173	● CHAIN 0/226.002.0001 (u. 1)
219	● CHAIN COVER 0/226.002.0002 (u. 1)
653	● CHAIN ADHJUSTER PLATE 0/000.380.0011 (u. 1)
2692	● LOWER VALVE RETAINER 0/226.002.0004 (u. 4)
2693	● HIGHER VALVE RETAINER 0/226.002.0005 (u. 4)
4042	● DECOMPR. ASSY 0/226.002.0006 (u. 1)
4603	● VALVE SPRING 0/226.002.0007 (u. 4)
4622	● MUELLE TENSOR CADENA 0/000.470.0645 (u. 1)
5323	● GASKET Y125A.D13 (u. 1)
5604	● SHAFT ROCKER 2 0/226.002.0008 (u. 2)
6017	● VALVE 2 0/226.002.0009 (u. 2)
6021	● VALVE 1 0/226.002.0010 (u. 2)
9110	● SHAFT CAM ASSY 0/226.002.0011 (u. 1)
9114	● CAM, DECOMPR. 0/226.002.0012 (u. 1)

9182	● ARM, VALVE ROCKER 1 0/226.002.0013 (u. 1)
9183	● ARM, VALVE ROCKER 2 0/226.002.0014 (u. 1)
9310	● CLIP SPRINGS 0/226.002.0015 (u. 8)
24122	● GUIDE STOPPER 1 0/226.002.0016 (u. 1)
24123	● GUIDE STOPPER 2 0/226.002.0017 (u. 1)
26104	● FIXING PLATE SP 1.2 0/226.002.0018 (u. 1)
26109	● HOLDER, CLUTCH WIRE 0/226.002.0019 (u. 1)
49051	● NUT HEX. 0/226.002.0020 (u. 4)
49214	● COLLAR 0/226.002.0021 (u. 1)
49272	● BOLT FLG SMALL HEAD 0/226.002.0029 (u. 4)
49291	● BOLT M8X1.25 0/226.002.0022 (u. 1)
49303	● SCREW VALVE ADJUSTIN 0/226.002.0023 (u. 4)
49341	● SCREW 0/226.002.0024 (u. 1)
49462	● BOLT OF SIDE STAND 0/000.460.4000 (u. 1)
49522	● BOLT HEX. SOCKET 0/226.002.0025 (u. 2)
51109	● BEARING 0/226.002.0026 (u. 1)
51110	● BEARING 0/226.002.0027 (u. 1)
53118	● JUNTA TENSOR Ø1,9X8,8 0/000.490.0011 (u. 1)
53153	● RING 0/226.002.0028 (u. 4)

WATER PUMP

MOTOR WR125 EU-4 LIQUID COOLED

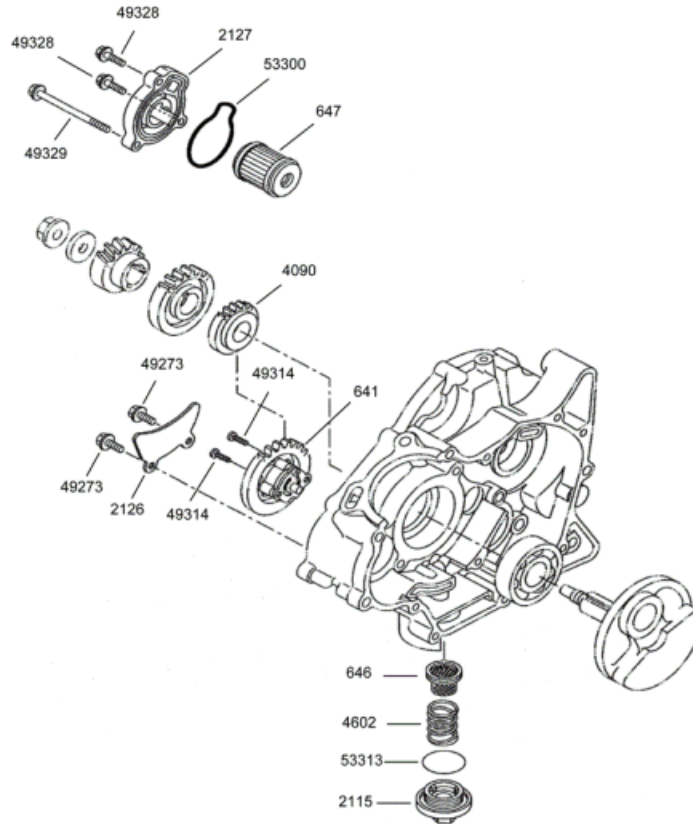


2114	●	COVER THERMOSTAT 0/226.003.0001 (u. 1)	
2120	●	COVER HOUSING 0/226.003.0002 (u. 1)	
2481	●	RADIATOR HOSE SET 0/000.640.6007 (u. 1)	
2651	●	PLATE 0/226.003.0003 (u. 1)	
2670	●	PLATE 0/226.003.0004 (u. 1)	
5321	●	GASKET HOUSING COVER 2 0/226.003.0005 (u. 1)	
5323	●	GASKET TENSIONER CASE 1 0/226.003.0006 (u. 1)	
5341	●	GASKET COVER CYL HEAD SIDE 1 0/226.003.0007 (u. 1)	
5603	●	IMPELLER SHAFT ASSY 0/226.003.0008 (u. 1)	
5612	●	THERMOSTAT 0/226.003.0009 (u. 1)	
6013	●	WATER PUMP ASSY 0/226.003.0010 (u. 1)	OBSOLETE
6022	●	COVER CYL. HEAD SIDE 3 0/226.003.0011 (u. 1)	
49245	●	BOLT M6X25 0/226.003.0012 (u. 4)	
49264	●	BOLT FLG SMALL 0/226.003.0013 (u. 2)	

49293	● BOLT FLG. (SMALL HEAD) 0/226.003.0014 (u. 2)
49327	● BOLT M6X50 ZN 0/226.003.0018 (u. 7)
49328	● BOLT FLG SMALL 0/226.003.0019 (u. 9)
51120	● BEARING 0/226.003.0015 (u. 1)
53308	● TORIC RING 0/226.003.0016 (u. 1)
53317	● O-RING 19X2.4 0/226.006.0016 (u. 2)
53515	● SEAL OIL 0/226.003.0017 (u. 1)

LUBRICATION SYSTEM

MOTOR WR125 EU-4 LIQUID COOLED

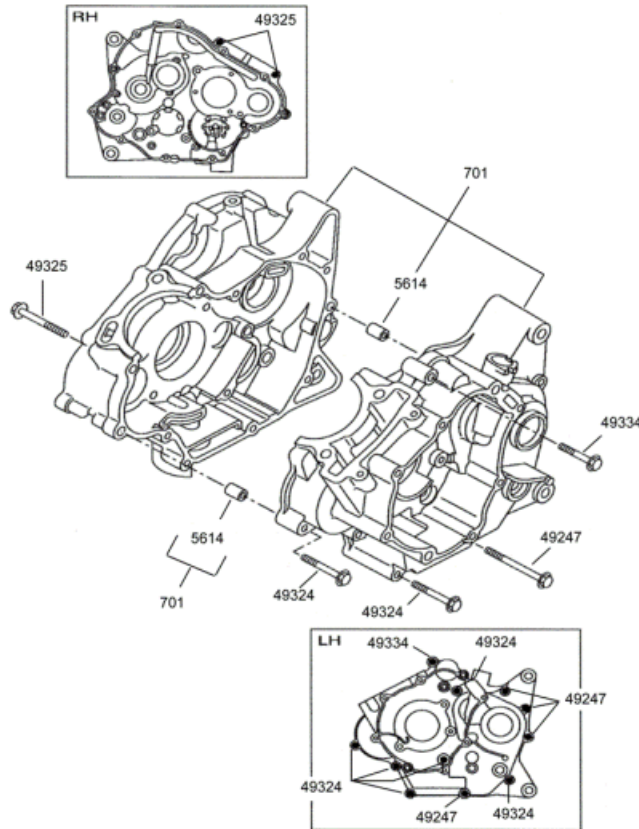


641	<ul style="list-style-type: none"> ● OIL PUMP ASSY 0/226.004.0001 (u. 1) 	
646	<ul style="list-style-type: none"> ● OIL FILTER 0/226.004.0002 (u. 1) 	OBSOLETE
	<ul style="list-style-type: none"> ● FILTRO ACEITE COMPLETO 0/229.004.0003 (u. 1) 	
647	<ul style="list-style-type: none"> ● OIL CLEANER ASSY 0/226.004.0003 (u. 1) 	OBSOLETE
	<ul style="list-style-type: none"> ● FILTRO ACEITE COMPLETO 0/229.004.0003 (u. 1) 	
2115	<ul style="list-style-type: none"> ● PLUG DRAIN 1 0/226.004.0004 (u. 1) 	OBSOLETE
2126	<ul style="list-style-type: none"> ● COVER GEAR 0/226.004.0005 (u. 1) 	
2127	<ul style="list-style-type: none"> ● COVER ELEMENT 0/226.004.0006 (u. 1) 	
4090	<ul style="list-style-type: none"> ● GEAR DRIVE 0/226.004.0007 (u. 1) 	
4602	<ul style="list-style-type: none"> ● SPRING COMPRESSION 0/226.004.0008 (u. 1) 	
49273	<ul style="list-style-type: none"> ● BOLT FLG SMALL 0/226.004.0009 (u. 2) 	
49314	<ul style="list-style-type: none"> ● SCREW PAN HEAD 0/226.004.0010 (u. 2) 	
49328	<ul style="list-style-type: none"> ● SCREW M6x20 0/227.001.0014 (u. 9) 	
49329	<ul style="list-style-type: none"> ● BOLT FLG SMALL 0/226.004.0011 (u. 1) 	

53300	<ul style="list-style-type: none">O-RING 53.6X2.4 0/226.004.0012 (u. 1)
53313	<ul style="list-style-type: none">O-RING 35.7X3.5 0/226.004.0013 (u. 1)

CRANK CASES

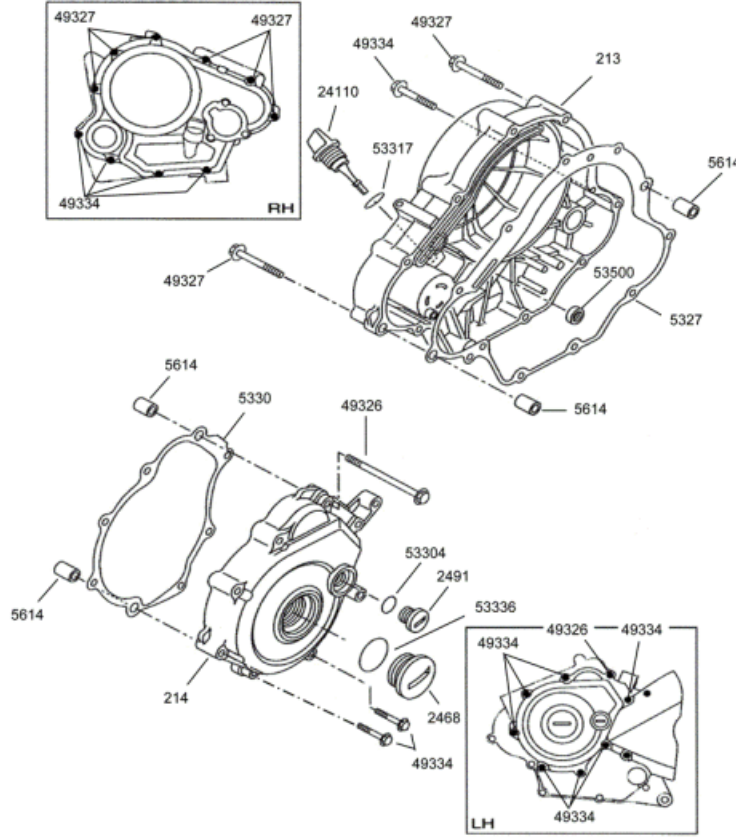
MOTOR WR125 EU-4 LIQUID COOLED



701	● JUEGO CARTER MOTOR WR125 EURO4 H2O 0/226.005.0007 (u. 1)
5614	● PIN DOWEL 0/226.006.0012 (u. 8)
49247	● BOLT FLG SMALL HEAD 0/226.005.0003 (u. 4)
49324	● BOLT FLG SMALL 0/226.005.0004 (u. 7)
49325	● BOLT FLG SMALL 0/226.005.0005 (u. 2)
49334	● BOLT FLG SMALL HEAD 0/226.006.0014 (u. 12)

CLUTCH COVER

MOTOR WR125 EU-4 LIQUID COOLED

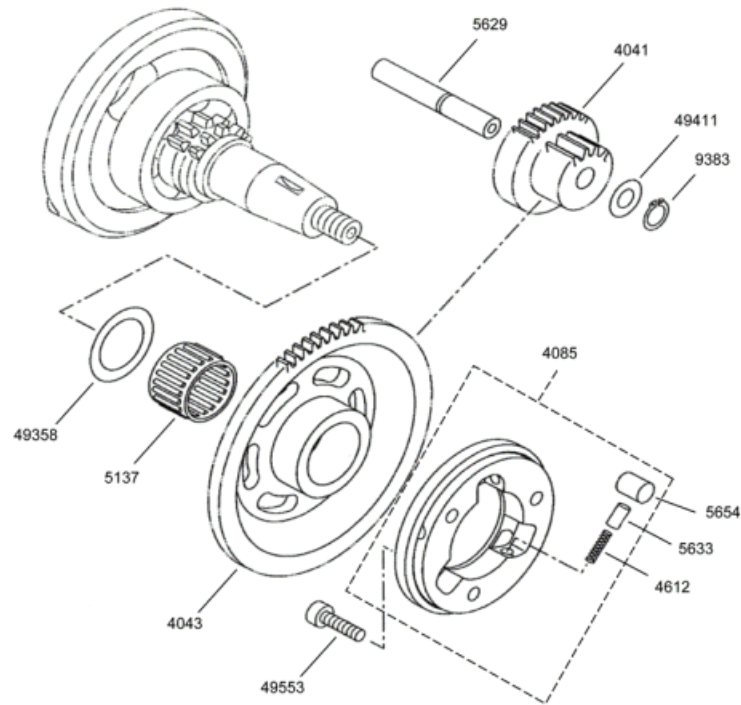


213	● CLUTCH COVER 0/226.006.0001 (u. 1)	
214	● COVER CRANKCASE 1 0/226.006.0002 (u. 1)	
2468	● PLUG STRAIGHT SCREW 0/226.006.0003 (u. 1)	OBSOLETE
2491	● PLUG STRAIGHT SCREW 0/226.006.0004 (u. 1)	OBSOLETE
	● GSKT, CRANKCASE COVER 3 0/226.006.0005 (u. 1)	
5327	● GSKT, CRANKCASE COVER 3 0/226.006.0005 (u. 1)	
	● JUNTA TAPA EMBRAGUE EURO4 0/000.490.5007 (u. 1)	OBSOLETE
5330	● GSKT, CRANKCASE COVER 1 0/226.006.0006 (u. 1)	
5614	● PIN DOWEL 0/226.006.0012 (u. 8)	
24110	● PLUG OIL LEVEL 0/226.006.0007 (u. 1)	
49326	● BOLT FLG SMALL 0/226.006.0008 (u. 1)	
49327	● BOLT FLG SMALL 0/226.006.0013 (u. 7)	
49334	● BOLT FLG SMALL HEAD 0/226.006.0014 (u. 12)	
53304	● O-RING 0/226.006.0009 (u. 1)	

53314	<ul style="list-style-type: none">O-RING D.32,2X2 0/226.012.0013 (u. 2)
53317	<ul style="list-style-type: none">O-RING 19X2.4 0/226.006.0016 (u. 2)
53336	<ul style="list-style-type: none">O-RING 0/226.006.0010 (u. 1)
53500	<ul style="list-style-type: none">SEAL OIL 0/226.006.0011 (u. 1)

STARTER CLUTCH

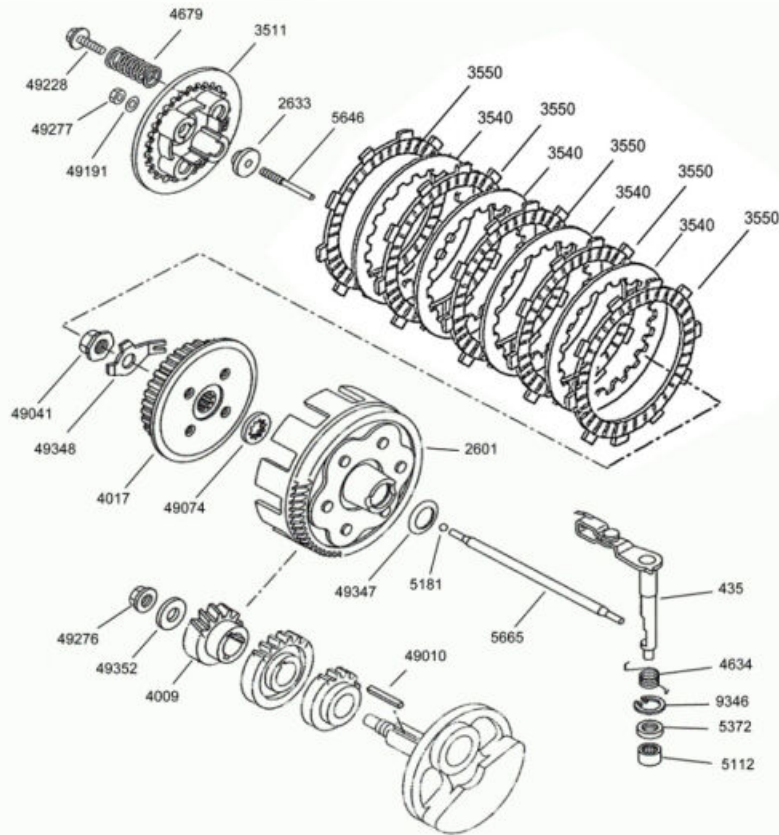
MOTOR WR125 EU-4 LIQUID COOLED



4041	● GEAR, 2 0/226.007.0001 (u. 1)	
4043	● WHEEL STARTER 0/226.007.0002 (u. 1)	
4085	● STARTER ONE-WAY ASSY 0/226.007.0003 (u. 1)	
4612	● SPRING COMPRESSION 0/226.007.0004 (u. 3)	OBSOLETE
5137	● BEARING 0/226.007.0005 (u. 1)	
5629	● SHAFT 1 0/226.007.0006 (u. 1)	
5633	● ROLLER 0/226.007.0007 (u. 3)	
5654	● RODILLO INTERIOR RUEDA LIBRE 0/226.007.0008 (u. 3)	OBSOLETE
9383	● CIRCLIP 0/226.007.0009 (u. 1)	
49358	● SILVER WASHER D25 0/226.007.0010 (u. 1)	
49411	● WASHER PLAIN 0/226.007.0011 (u. 1)	
49553	● BOLT HEX. SOCKET HEAD 0/226.007.0012 (u. 5)	OBSOLETE

CLUTCH

MOTOR WR125 EU-4 LIQUID COOLED



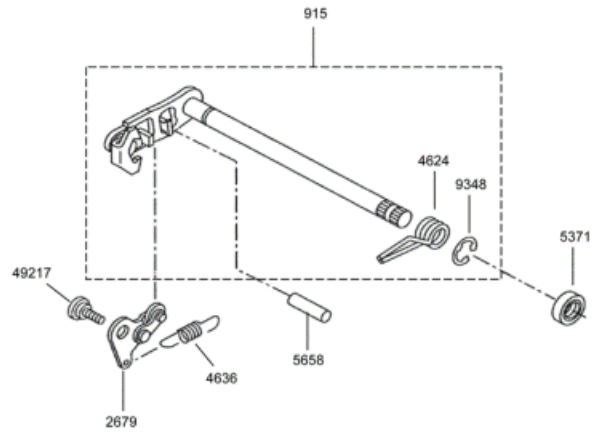
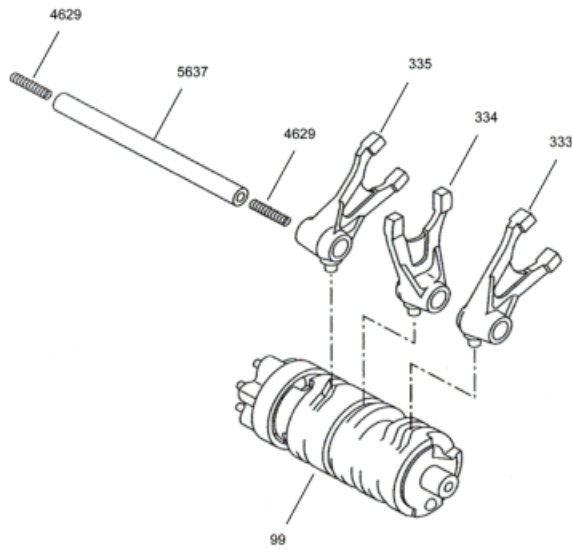
435	●	PUSH LEVER ASSY 0/226.008.0001 (u. 1)
2601	●	CAMPANA EMBRAGUE v.2 0/226.008.0033 (u. 1)
2633	●	PLATE PUSH 0/226.008.0003 (u. 1)
3511	●	DISCO FINAL TAPA EMBRAGUE 0/226.008.0034 (u. 1)
3540	●	CLUCH PLATE SET v.2 0/226.008.0032 (u. 1)
3550	●	FRICITION PLATE SET v.2 0/226.008.0031 (u. 1)
3552	●	CLUTCH DISC 0/226.008.0007 (u. 1)
4009	●	GEAR PRIMARY DRIVE 0/226.008.0009 (u. 1)
4017	●	TAMBOR EMBRAGUE 0/226.008.0035 (u. 1)
4634	●	SPRING LEVER RETURN 0/226.008.0011 (u. 1)
4679	●	SPRING 0/226.008.0012 (u. 4)
5112	●	BEARING 0/226.008.0014 (u. 1)
5181	●	BALL 0/226.008.0015 (u. 1)
5372	●	OIL SEAL 0/226.008.0016 (u. 1)

5646	● EJE EMPUJE FRICCION 0/229.000.0090 (u. 1)
5665	● ROD, PUSH 0/226.008.0018 (u. 1)
9346	● WASHER Y125A.K26 (u. 1)
49010	● KEY,FEATHER 0/226.008.0020 (u. 1)
49041	● NUT 0/226.008.0021 (u. 1)
49074	● PLATE THRUST 1 0/226.008.0022 (u. 1)
49191	● WASHER 0/226.008.0024 (u. 1)
49228	● SCREW FOR CLUTCH SPRING 0/226.008.0025 (u. 4)
49276	● NUT 0/226.008.0026 (u. 1)
49277	● NUT ADJUSTING 0/226.008.0027 (u. 1)
49347	● WASHER CONICAL SPRING 0/226.008.0028 (u. 1)
49348	● CLUTCH WASHER 0/226.008.0029 (u. 1)
49352	● WASHER PLAIN 0/226.008.0030 (u. 2)

5101	● BEARING 0/226.009.0015 (u. 1)
5124	● COLLAR 0/226.009.0016 (u. 1)
5148	● BEARING 0/226.009.0017 (u. 1)
5157	● BEARING 0/226.009.0018 (u. 1)
5172	● BEARING 0/226.009.0019 (u. 1)
9345	● CIRCLIP 0/226.009.0020 (u. 1)
9350	● CIRCLIP 0/226.009.0021 (u. 1)
9360	● SNAP RING 0/226.009.0022 (u. 2)
26110	● PLATE COVER 0/226.009.0023 (u. 1)
49215	● SPACER 0/226.009.0024 (u. 1)
49272	● BOLT FLG SMALL HEAD 0/226.009.0031 (u. 4)
49343	● WASHER PLAIN 0/226.009.0025 (u. 1)
49344	● WASHER PLAIN 0/226.009.0026 (u. 1)
49349	● WASHER 0/226.009.0027 (u. 1)
49350	● WASHER 0/226.009.0028 (u. 1)
49542	● BOLT HEX. SOCKET 0/226.009.0029 (u. 2)
53499	● OIL SEAL 20X35X5 0/226.009.0030 (u. 1)

PRE-SELECTOR GEAR

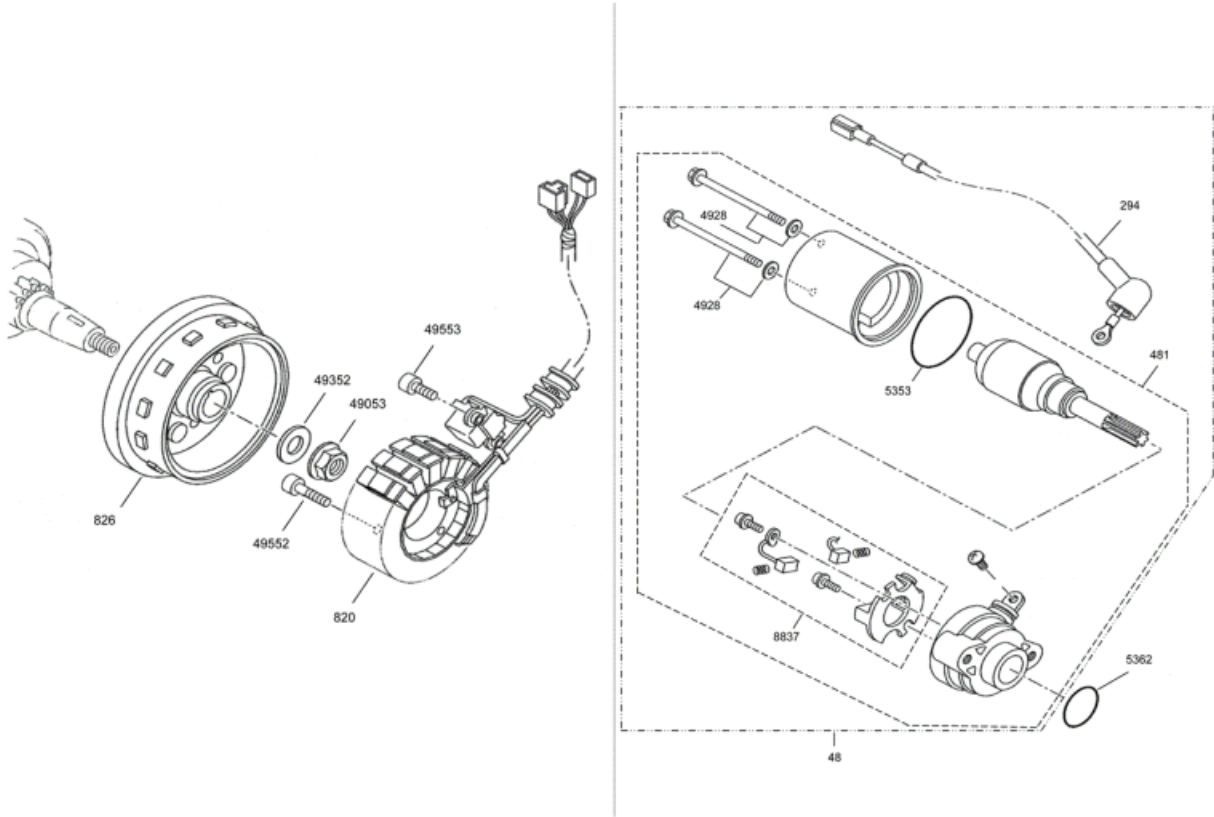
MOTOR WR125 EU-4 LIQUID COOLED



99	● SHIFT CAM ASSY 0/226.010.0001 (u. 1)	
333	● FORK,SHIFT 1 0/226.010.0002 (u. 1)	
334	● FORK,SHIFT 2 0/226.010.0003 (u. 1)	
335	● FORK,SHIFT 3 0/226.010.0004 (u. 1)	
915	● SHIFT SHAFT ASSY 0/226.010.0005 (u. 1)	
2679	● STOPPER LEVER ASSY 0/226.010.0006 (u. 1)	
4624	● SPRING Y125A.M05 (u. 1)	OBSELETE
4629	● SPRING COMPRESSION 0/226.010.0008 (u. 2)	
4636	● SPRING 0/226.010.0009 (u. 1)	
5371	● OIL-SEAL 12x22x5 0/226.010.0010 (u. 1)	
5637	● BAR SHIFT FORK GUIDE 1 0/226.010.0011 (u. 1)	
5658	● PIN, DOWEL 0/226.010.0012 (u. 1)	
9348	● CIRCLIP 0/226.010.0013 (u. 1)	
49217	● BOLT SHIFT 0/226.010.0014 (u. 1)	

IGNITION SYSTEM START-UP

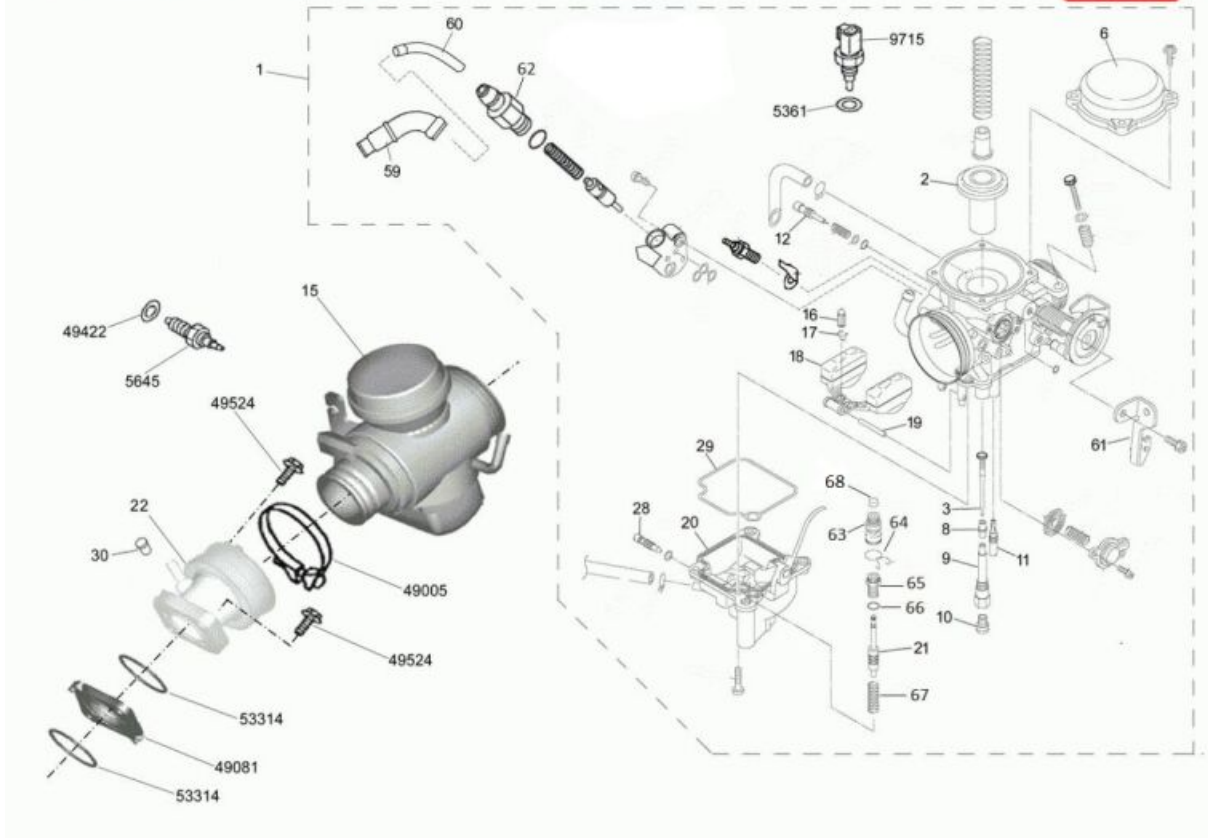
MOTOR WR125 EU-4 LIQUID COOLED



48	●	STARTING MOTOR ASSY 0/226.011.0001 (u. 1)	
294	●	CORD COMP. 0/226.011.0002 (u. 1)	
481	●	MOTOR ASSY 0/226.011.0003 (u. 1)	OBSOLETE
820	●	STATOR ASSY 0/226.011.0004 (u. 1)	
826	●	ROTOR ASSY 0/226.011.0005 (u. 1)	
4928	●	BOLT 2 0/226.011.0006 (u. 1)	
5353	●	O-RING 0/226.011.0007 (u. 1)	
5362	●	O-RING 0/226.011.0008 (u. 1)	
8837	●	BUSH SET 0/226.011.0009 (u. 1)	
49053	●	NUT FLG. 0/226.011.0010 (u. 1)	OBSOLETE
49552	●	BOLT HEX. SOCKET HEAD 0/226.011.0011 (u. 3)	
49553	●	BOLT HEX. SOCKET HEAD 0/226.011.0012 (u. 5)	

CARBURETTOR - HT - COIL

MOTOR WR125 EU-4 LIQUID COOLED



1	<ul style="list-style-type: none"> CARBURETOR 0/226.012.0001 (u. 1)
2	<ul style="list-style-type: none"> INTERNAL MEMBRANE 0/226.012.0017 (u. 1)
3	<ul style="list-style-type: none"> NEEDLE 0/226.012.0018 (u. 1)
6	<ul style="list-style-type: none"> COVER, DIAPHRAGM 0/226.012.0019 (u. 1)
8	<ul style="list-style-type: none"> JET NEEDLE 0/226.012.0020 (u. 1)
9	<ul style="list-style-type: none"> HOLDER JET 0/226.012.0021 (u. 1)
10	<ul style="list-style-type: none"> JET MAIN Ø 22 0/226.012.0022 (u. 1)
11	<ul style="list-style-type: none"> JET Ø 35 0/226.012.0023 (u. 1)
12	<ul style="list-style-type: none"> SCREW, PILOT 0/226.012.0024 (u. 1)
15	<ul style="list-style-type: none"> CARBURETOR 0/226.012.0001 (u. 1)
16	<ul style="list-style-type: none"> NEEDLE VALVE ASSY 0/226.012.0025 (u. 1)
17	<ul style="list-style-type: none"> CLIP 0/226.012.0026 (u. 1)
18	<ul style="list-style-type: none"> FLOAT 0/226.012.0027 (u. 1)
19	<ul style="list-style-type: none"> FLOAT PIN 0/226.012.0028 (u. 1)

OBSOLETE

20	● BODY FLOAT CHAMBER 0/226.012.0029 (u. 1)	
21	● DOWEL PIN 0/226.012.0030 (u. 1)	
22	● RUBBER ADMISSION 0/005.065.0000 (u. 1)	
	● RUBB ADMISSION (W/O AIS VALVE) 0/005.065.0001 (u. 1)	
28	● SCREW DRAIN 0/226.012.0031 (u. 1)	OBSOLETE
29	● GASKET FLOAT CHAMBER 0/226.012.0032 (u. 1)	OBSOLETE
30	● TAPON TUBERA 0/000.410.5004 (u. 1)	
59	● CAP 0/226.012.0033 (u. 1)	
60	● GUIDE CABLE 0/226.012.0034 (u. 1)	
61	● SOPORTE CABLE GAS 0/000.980.6117 (u. 1)	
62	● CHOKE NIPPLE 0/226.012.0041 (u. 1)	
63	● TUERCA CENTRADOR ESPIGA 0/226.012.0037 (u. 1)	OBSOLETE
64	● CLIP 0/226.012.0039 (u. 1)	
65	● TUERCA CENTRADOR ESPIGA 0/226.012.0037 (u. 1)	OBSOLETE
66	● GASKET 0/226.012.0038 (u. 1)	
67	● MUELLE ESPIGA 0/226.012.0040 (u. 1)	
68	● CASQUILLO ESPIGA 0/226.012.0035 (u. 1)	OBSOLETE
5361	● GASKET 0/226.012.0004 (u. 1)	
5645	● NEUTRAL SWITCH ASSY 0/226.012.0005 (u. 1)	
9715	● THERM, SENSOR ASSY 0/226.012.0007 (u. 1)	
49005	● HOSE CLAMP ASSY 0/226.012.0009 (u. 1)	
49081	● JOINT 0/226.012.0010 (u. 1)	
49422	● GASKET 0/226.012.0011 (u. 1)	
49524	● BOLT HEX. SOCKET 0/226.012.0012 (u. 2)	
53314	● JUNTA TORICA 33,5 X 3 NBR 0/000.490.8004 (u. 1)	
	● O-RING D.32,2X2 0/226.012.0013 (u. 1)	