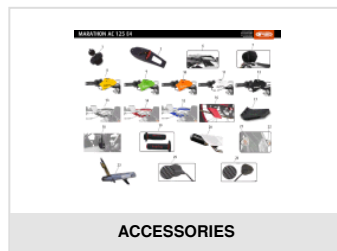
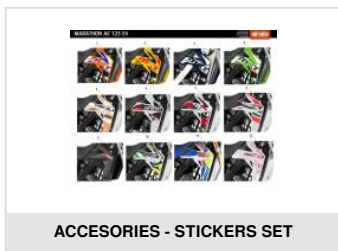
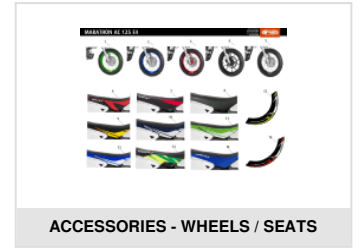
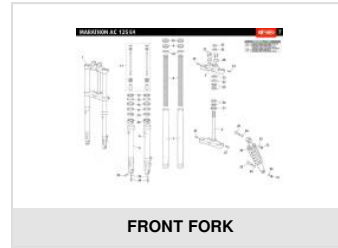
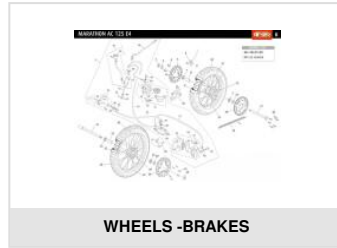
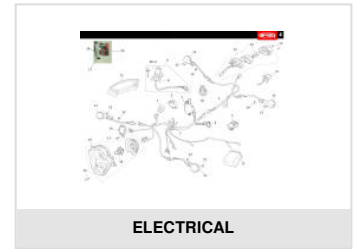
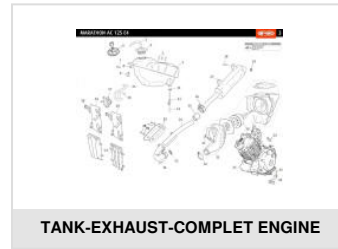
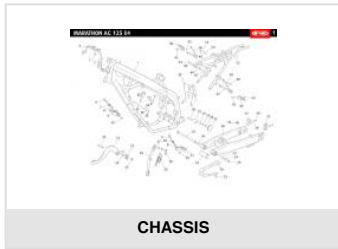




# **Marathon 125 E4 AC White 2017**

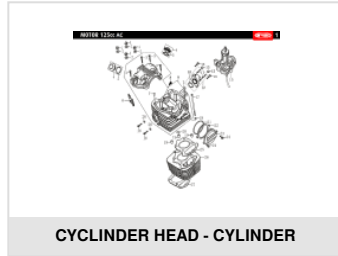
## **Exploded**



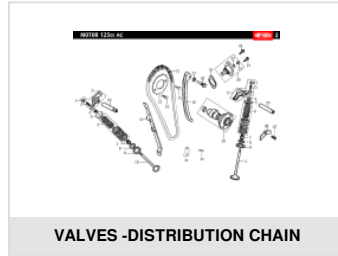
**Motor 125cc E4 2017**



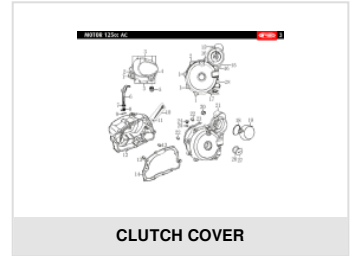
**COMPLET ENGINE**



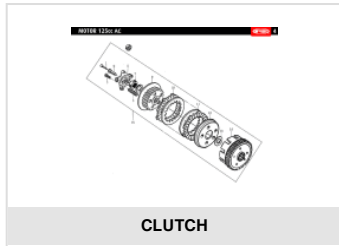
**CYCLINDER HEAD - CYLINDER**



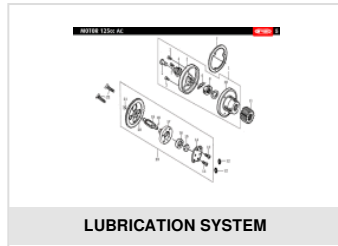
**VALVES - DISTRIBUTION CHAIN**



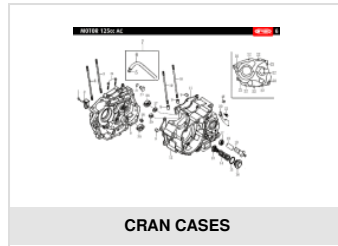
**CLUTCH COVER**



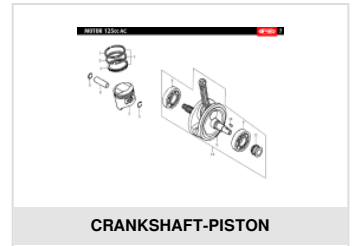
**CLUTCH**



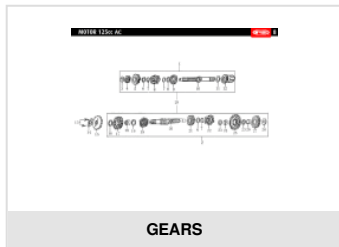
**LUBRICATION SYSTEM**



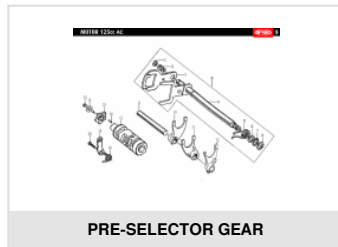
**CRAN CASES**



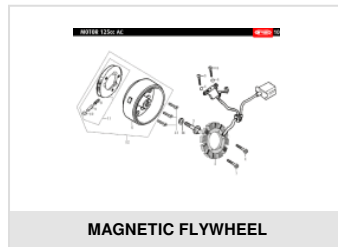
**CRANKSHAFT-PISTON**



**GEARS**



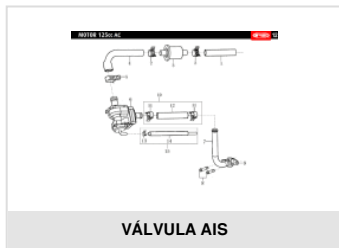
**PRE-SELECTOR GEAR**



**MAGNETIC FLYWHEEL**



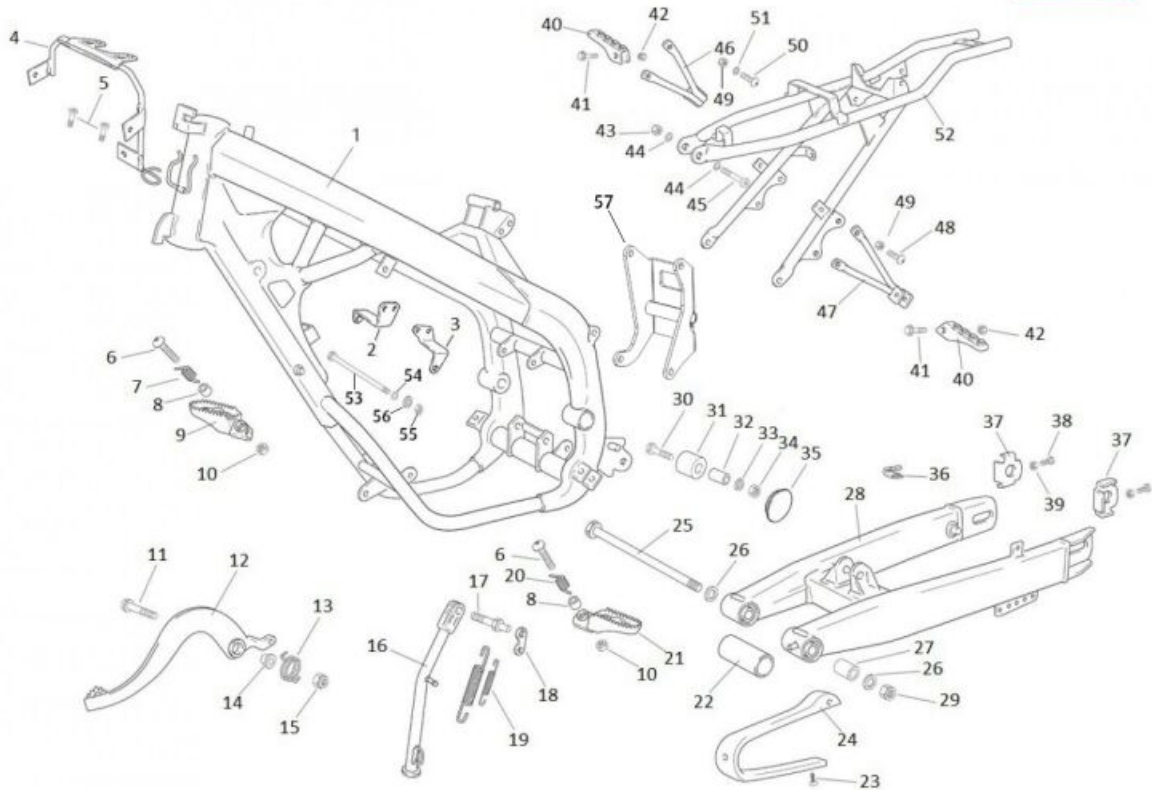
**ARRANQUE - REGULADOR DE CORRIENTE - CDI**



**VÁLVULA AIS**

CHASSIS

**MARATHON AC 125 E4**



1	<ul style="list-style-type: none"> <li>COMPLETE FRAME MARATHON 125 AC EURO4 2017 BLACK 0/000.010.6015 (u. 1)</li> </ul>
2	<ul style="list-style-type: none"> <li>RIGHT MOTOR STAY BRACKET. MARATHON 125 AC 2012 0/000.980.6016 (u. 1)</li> </ul>
3	<ul style="list-style-type: none"> <li>LEFT ENGINE STAY BRACKET. MARATHON 125 AC 2012 0/000.980.6017 (u. 1)</li> </ul>
4	<ul style="list-style-type: none"> <li>DASHBOARD SUPPORT MARATHON 125 AC E4 0/000.980.5038 (u. 1)</li> </ul>
5	<ul style="list-style-type: none"> <li>INDICATOR ATTACHMENT BOLT 0/000.460.1170 (u. 2)</li> <li>TORNILLO ISO 7380 Torx T-25 con arandela M5x16 INOX 0/000.460.0083 (u. 2)</li> </ul>
6	<ul style="list-style-type: none"> <li>RIDER FOOTREST BOLT 0/000.460.5100 (u. 2)</li> </ul>
7	<ul style="list-style-type: none"> <li>RIGHT FOOTREST SPRING 0/000.470.0200 (u. 1)</li> </ul>
8	<ul style="list-style-type: none"> <li>INNER RIGHT-HAND RIDER FOOTREST BUSHING 0/000.480.0215 (u. 2)</li> </ul>
9	<ul style="list-style-type: none"> <li>RIDER RIGHT FOOTREST 0/000.740.0301 (u. 1)</li> </ul>
10	<ul style="list-style-type: none"> <li>SHOCK ABSORBER BOLT NUT 0/000.340.0182 (u. 2)</li> </ul>
11	<ul style="list-style-type: none"> <li>TORNILLO DIN 6921 M8x60 Cal.8.8 Z/BLANCO 0/000.460.0493 (u. 1)</li> <li>BRAKE PEDAL BOLT 0/000.460.0491 (u. 1)</li> </ul>
12	<ul style="list-style-type: none"> <li>BRAKE LEVER COMPLETE 2012 0/000.730.0732 (u. 1)</li> </ul>

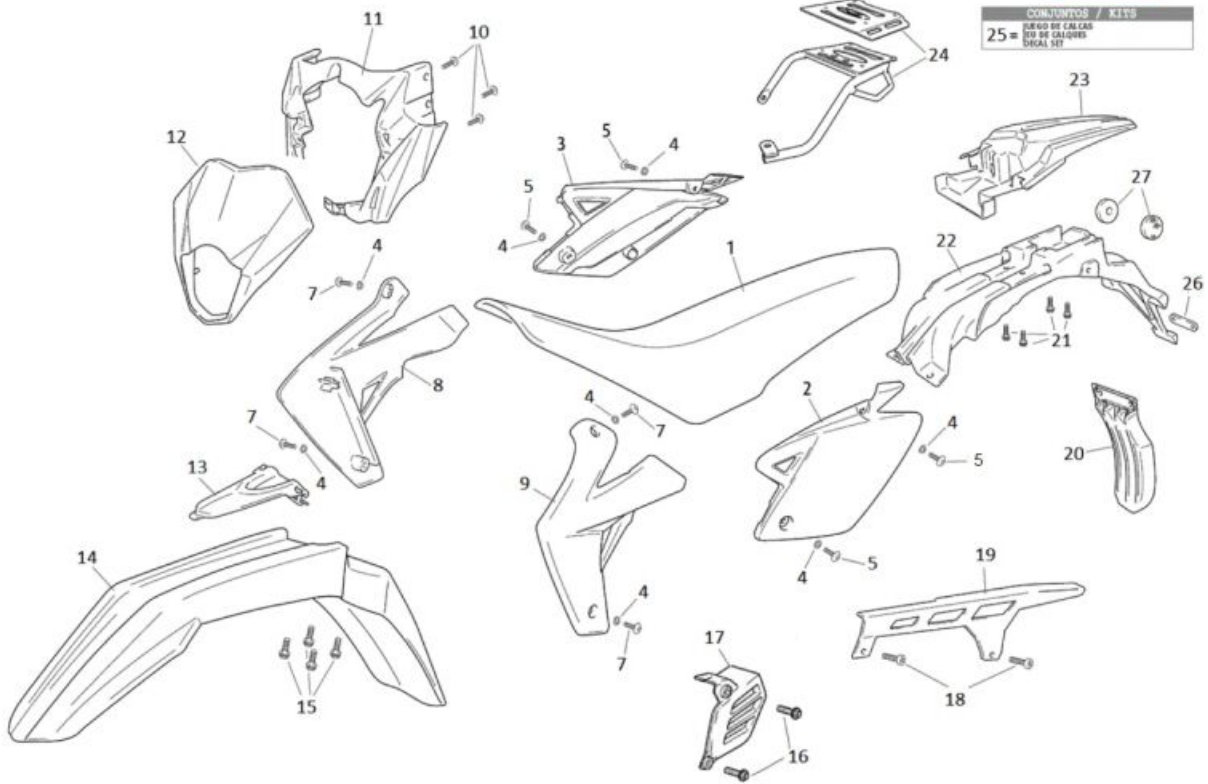
OBSOLETE

13	● BRAKE LEVER SPRING 0/000.470.5011 (u. 1)	
14	● INNER BRAKE LEVER BUSHING 0/000.260.8000 (u. 1)	
15	● SILENTBLOC ATTACHMENT NUT 0/000.340.0181 (u. 1)	
16	● SIDESTAND TANGO 0/000.210.8000 (u. 1)	
17	● PADDOCK STAND SPECIAL BOLT 0/000.460.8000 (u. 1)	
18	● PADDOCK STAND BOLT PIN 0/000.980.5102 (u. 1)	
19	● STAND SPRING TANGO 0/000.470.8000 (u. 1)	
20	● LEFT FOOTREST SPRING 0/000.470.0201 (u. 1)	
21	● LEFT-HAND RIDER FOOTREST 0/000.740.0311 (u. 1)	
22	● SWING ARM SHAFT GUIDE BUSHING 0/000.480.5016 (u. 1)	
23	● CHAIN SLIDER PLATE THREAD SCREW 0/000.460.0745 (u. 1)	
24	● RUBBER SKATE CHAIN MRX/SMX 0/000.360.5001 (u. 1)	
25	● SWING ARM AXLE TANGO 0/000.190.8001 (u. 1)	
26	● SWING ARM SHAFT WASHER 0/000.440.0123 (u. 2)	
27	● SWING ARM SILENTBLOC 0/000.360.0370 (u. 1)	
28	● COMPLETE BLACK SWING ARM MRT 2019 0/000.020.5217 (u. 1)	
29	● SWING ARM SHAFT NUT 0/000.340.0186 (u. 1)	
30	● CHAIN ROLLER ATTACHMENT BOLT 0/000.460.0673 (u. 1)	
31	● RUBBER ROLLER CHAIN GUIDE 0/000.360.0792 (u. 1)	
32	● CHAIN ROLLER INNER BUSHING 0/000.480.0645 (u. 1)	
33	● ROLLER WASHER 0/000.440.0161 (u. 1)	
34	● SILENTBLOC ATTACHMENT NUT 0/000.340.0181 (u. 1)	
35	● PLASTIC STOPPER 0/000.410.0361 (u. 1)	
36	● GRAPA FIJACION TUBO FRENO TRASERO 0/000.630.7002 (u. 1)	<b>OBSOLETE</b>
	● FIXING BRAKE HOSE CLAMP 0/000.630.7005 (u. 1)	
37	● WHEEL ADJUSTER 0/000.380.5100 (u. 2)	
38	● WHEEL TENSOR BOLT 0/000.460.0636 (u. 2)	
39	● WHEEL TENSOR NUT 0/000.340.0140 (u. 2)	

40	<ul style="list-style-type: none"> <li>● REAR PEG AUSTRIA 0/000.740.0040 (u. 2)</li> </ul>	<b>OBSOLETE</b>
41	<ul style="list-style-type: none"> <li>● SCREW DIN 6921 M6X35 0/000.460.0622 (u. 2)</li> </ul>	
42	<ul style="list-style-type: none"> <li>● PASSENGER FOOTREST NUT 0/000.340.0170 (u. 2)</li> </ul>	
43	<ul style="list-style-type: none"> <li>● REAR CHASSIS ATTACHMENT NUT 0/000.340.0187 (u. 1)</li> </ul>	
44	<ul style="list-style-type: none"> <li>● REAR CHASSIS ATTACHMENT WASHER 0/000.440.0160 (u. 2)</li> </ul>	
45	<ul style="list-style-type: none"> <li>● SCREW TORNILLO DIN 912 Allen M10x80 Cal.8.8 ZINC PLATED 0/000.460.6215 (u. 1)</li> </ul>	
46	<ul style="list-style-type: none"> <li>● RIGHT-HAND PASSENGER FOOTREST HOLDER 0/000.980.5110 (u. 1)</li> <li>● PASSENGER RH FOOTREST SUPPORT 0/000.980.5107 (u. 1)</li> </ul>	<b>OBSOLETE</b>
47	<ul style="list-style-type: none"> <li>● LEFT-HAND PASSENGER FOOTREST HOLDER 0/000.980.5111 (u. 1)</li> <li>● PASSENGER LH FOOTREST SUPPORT 0/000.980.5108 (u. 1)</li> </ul>	<b>OBSOLETE</b>
48	<ul style="list-style-type: none"> <li>● DRIVE PLATE BOLT 0/000.460.0670 (u. 2)</li> </ul>	
49	<ul style="list-style-type: none"> <li>● M8 NUT 0/000.340.0180 (u. 4)</li> </ul>	
50	<ul style="list-style-type: none"> <li>● SCREW DIN 6921 M8x30 Cal.8.8 ZINC PLATED 0/000.460.0671 (u. 2)</li> </ul>	
51	<ul style="list-style-type: none"> <li>● LOCK. WASHER 0/000.440.0131 (u. 2)</li> </ul>	
52	<ul style="list-style-type: none"> <li>● BLACK REAR FRAME 0/K00.010.5001 (u. 1)</li> <li>● MRT REAR CHASSIS 0/000.010.5007 (u. 1)</li> </ul>	<b>OBSOLETE</b>
53	<ul style="list-style-type: none"> <li>● FIXING SCREW FOR INTERIOR MOUNTING PLATE 118X65 0/000.460.0492 (u. 1)</li> </ul>	
54	<ul style="list-style-type: none"> <li>● (BOLSA 5 uds) WASHER LIS.8,5x17x1.25 GT-TT 0/000.440.0160B (u. 1)</li> </ul>	
55	<ul style="list-style-type: none"> <li>● SILENTBLOC ATTACHMENT NUT 0/000.340.0181 (u. 1)</li> </ul>	
56	<ul style="list-style-type: none"> <li>● SEPARATOR 0/000.480.5018 (u. 1)</li> </ul>	
57	<ul style="list-style-type: none"> <li>● ENGINE SUPPORT MARATHON 125 AC 0/000.980.6018 (u. 1)</li> </ul>	

PLASTICS

MARATHON AC 125 E4



CONTIENES / KITS  
25 = JUEGO DE CASCOS  
DE LAS CALQUER  
LOCAL SET

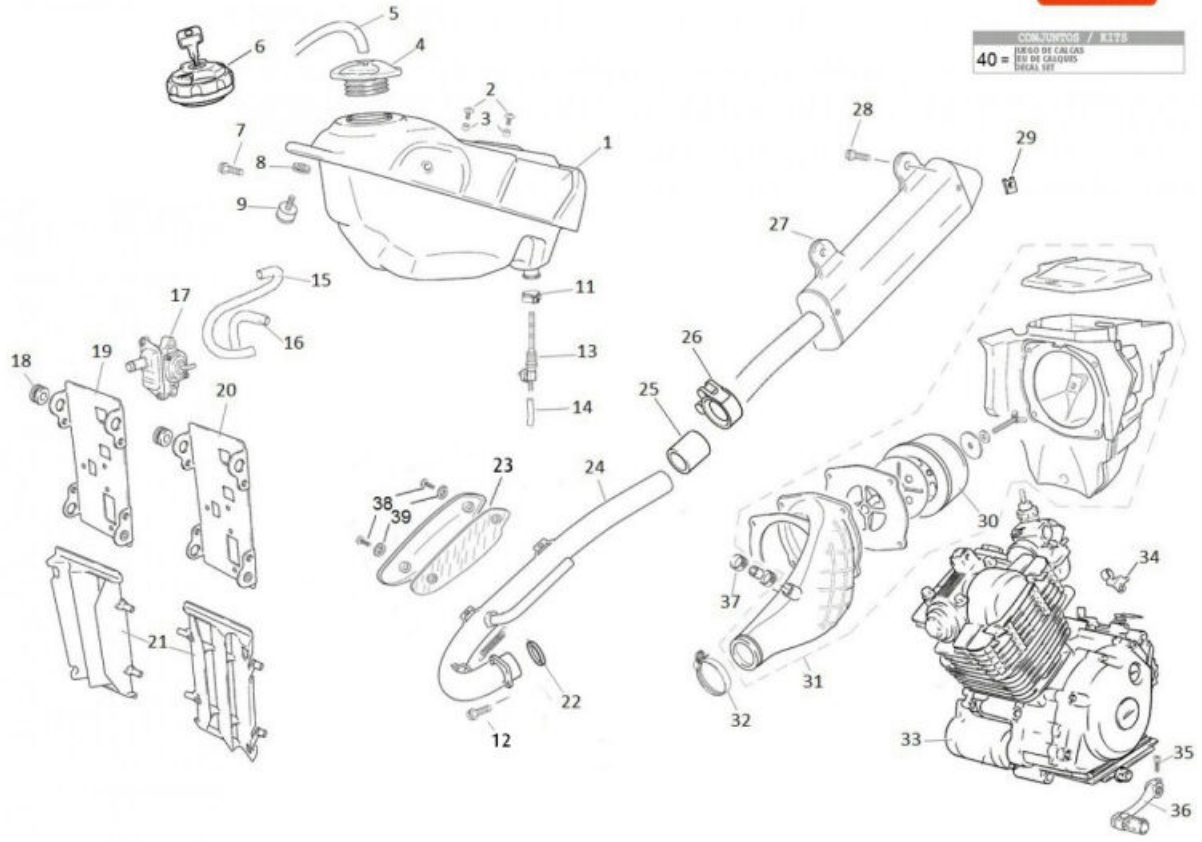
1	<ul style="list-style-type: none"> <li>COMPLETE SEAT MRT 2012 0/000.040.5355 (u. 1)</li> </ul>	
2	<ul style="list-style-type: none"> <li>WHITE LH SIDE PLATE WITH STICKER 390.5330 0/R00.570.5111 (u. 1)</li> </ul>	OBSELETE
3	<ul style="list-style-type: none"> <li>WHITE RH SIDE PLATE WITH STICKER 390.5330 0/R00.570.5110 (u. 1)</li> </ul>	OBSELETE
4	<ul style="list-style-type: none"> <li>SIDE PLATE WASHER 0/000.480.0712 (u. 8)</li> </ul>	
5	<ul style="list-style-type: none"> <li>SIDE PLATE ATTACHMENT BOLT 0/000.460.3036 (u. 4)</li> </ul>	
7	<ul style="list-style-type: none"> <li>SCREW M6X20 0/000.460.3031 (u. 4)</li> </ul>	
8	<ul style="list-style-type: none"> <li>WHITE RH RADIATOR PLATE WITH STICKER 390.5330 0/R00.570.5112 (u. 1)</li> </ul>	
9	<ul style="list-style-type: none"> <li>WHITE LH RADIATOR PLATE WITH STICKER 390.5330 0/R00.570.5113 (u. 1)</li> </ul>	
10	<ul style="list-style-type: none"> <li>HEADLAMP BRACKET PLASTIC SUPP.ATTACH. BOLT 0/000.460.0756 (u. 3)</li> </ul>	
11	<ul style="list-style-type: none"> <li>HEADLAMP HOLDER PLASTIC SUPPORT 0/000.620.5301 (u. 1)</li> </ul>	
12	<ul style="list-style-type: none"> <li>FRONT HEADLAMP HOLDER 0/R00.620.5001 (u. 1)</li> </ul>	
13	<ul style="list-style-type: none"> <li>FRONT MUDGUARD SUPPORT PLATE 0/000.620.5302 (u. 1)</li> </ul>	
14	<ul style="list-style-type: none"> <li>FRONT MUDGUARD DRAC SM WHITE 0/000.050.5194 (u. 1)</li> </ul>	
15	<ul style="list-style-type: none"> <li>HORN ATTACHMENT BOLT 0/000.460.0600 (u. 4)</li> </ul>	

16	<ul style="list-style-type: none"> <li>● SCREW DIN 6921 0/000.460.1700 (u. 2)</li> </ul>
17	<ul style="list-style-type: none"> <li>● SPROKET PROTECTION TANGO 2010 0/000.220.8006 (u. 1)</li> </ul>
18	<ul style="list-style-type: none"> <li>● INDICATOR ATTACHMENT BOLT 0/000.460.1170 (u. 2)</li> </ul>
	<ul style="list-style-type: none"> <li>● TORNILLO ISO 7380 Torx T-25 con arandela M5x16 INOX 0/000.460.0083 (u. 2)</li> </ul>
19	<ul style="list-style-type: none"> <li>● CHAIN GUARD 0/000.200.0400 (u. 1)</li> </ul>
20	<ul style="list-style-type: none"> <li>● SHOCK ABSORBER PROTECTOR PLASTIC 0/000.200.8000 (u. 1)</li> </ul>
21	<ul style="list-style-type: none"> <li>● TAILPIECE REAR MUDGUARD ATTACHMENT BOLT 0/000.460.5101 (u. 4)</li> </ul>
22	<ul style="list-style-type: none"> <li>● TALPIECE REAR MUDGUARD 0/000.060.5110 (u. 1)</li> </ul>
23	<ul style="list-style-type: none"> <li>● WHITE MUDGUARD DRAC SM 0/000.060.5191 (u. 1)</li> </ul>
24	<ul style="list-style-type: none"> <li>● LUGGAGE RACK MRT 2012 0/K00.980.5000 (u. 1)</li> </ul>
25	<ul style="list-style-type: none"> <li>● STICKERS SET MARATHON 125 AC 2016 0/000.390.5330 (u. 1)</li> </ul>
26	<ul style="list-style-type: none"> <li>● TAILPIECE REAR MUDGUARD REFLECTOR 0/000.630.0551 (u. 1)</li> </ul>
27	<ul style="list-style-type: none"> <li>● REAR REFLECTOR (ROUND) 0/000.630.0530 (u. 2)</li> </ul>



TANK-EXHAUST-COMPLET ENGINE

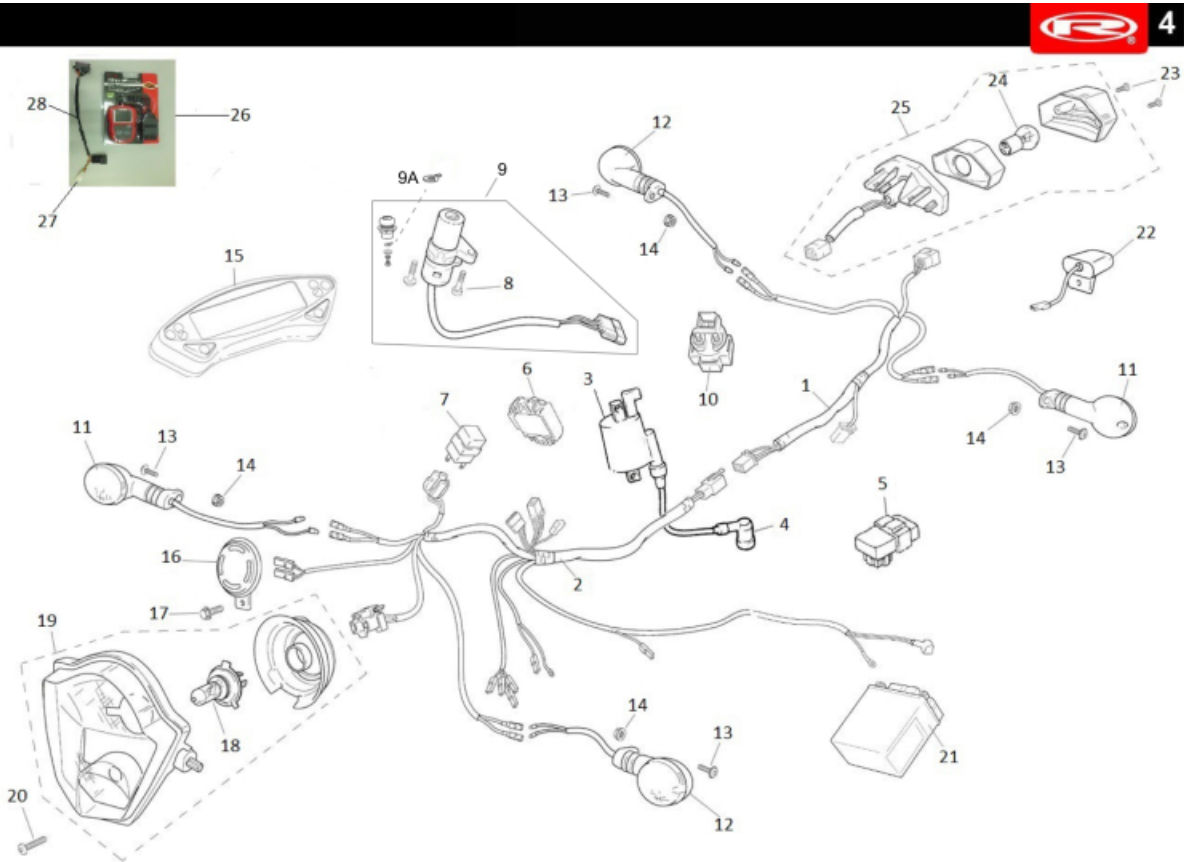
MARATHON AC 125 E4



1	<ul style="list-style-type: none"> <li>FUEL TANK WITH FUEL COCK 2010 0/000.030.5005 (u. 1)</li> </ul>	
2	<ul style="list-style-type: none"> <li>SIDE PLATE ATTACHMENT BOLT 0/000.460.3036 (u. 2)</li> </ul>	
3	<ul style="list-style-type: none"> <li>SEPARATOR 0/000.480.0710 (u. 2)</li> </ul>	
4	<ul style="list-style-type: none"> <li>FUEL TANK CAP 0/000.410.5300 (u. 1)</li> </ul>	
5	<ul style="list-style-type: none"> <li>HOSE COPOLAN-NBR Ø5 x Ø8 x 230 0/000.290.0648 (u. 1)</li> </ul>	
6	<ul style="list-style-type: none"> <li>FUEL CAP WITH KEY MRT 2010 0/000.410.5301 (u. 1)</li> </ul>	
7	<ul style="list-style-type: none"> <li>SCREW 0/000.460.2006 (u. 1)</li> </ul>	OBSOLETE
	<ul style="list-style-type: none"> <li>SCREW ISO 7380 M6x35 0/000.460.7014 (u. 1)</li> </ul>	OBSOLETE
8	<ul style="list-style-type: none"> <li>TANK TO CHASSIS SUPPORT PAD 0/000.360.5012 (u. 1)</li> </ul>	
9	<ul style="list-style-type: none"> <li>SEPARATOR SCREW 0/000.480.5017 (u. 1)</li> </ul>	
11	<ul style="list-style-type: none"> <li>BAND GUIDE 0/000.680.5020 (u. 1)</li> </ul>	OBSOLETE
12	<ul style="list-style-type: none"> <li>SCREW DIN 912 M7x25 ALLEN 12.9 0/000.460.0037 (u. 2)</li> </ul>	
13	<ul style="list-style-type: none"> <li>FUEL TAP DRAC R.R. 0/000.370.0500 (u. 1)</li> </ul>	
14	<ul style="list-style-type: none"> <li>FUEL HOSE (DEPRESION) 0/000.290.3007 (u. 1)</li> </ul>	

15	● VALVE SLEEVE AIS TANGO 2010 0/000.640.8005 (u. 1)
16	● VALVE SLEEVE AIS TANGO 2010 0/000.640.8005 (u. 1)
17	● VALVULA AIS 0/000.640.6100 (u. 1)
18	● RUBBER SILEMBLOCK 0/000.360.0400 (u. 6)
19	● SUPPORT VALVE AIS 0/000.980.6014 (u. 1)
20	● ELECTRICAL SYSTEM SUPPORT MARATHON 125 AC 2017 0/000.980.6024 (u. 1)
21	● RAD PROTECTOR/GRILL MRT 0/000.220.0591 (u. 1)
22	● EXHAUST GASKET 0/000.490.6000 (u. 1)
23	● EXHAUST PIPE PROTECTOR MARATHON 125 EURO 4 0/000.220.6007 (u. 1)
24	● EXHAUST PIPE MARATHON 125 AC EURO 4 2017 0/000.290.6016 (u. 1)
25	● EXHAUST PIPE GASKET GRAPHITE 0/000.260.8010 (u. 1)
26	● INOX CLAMP 36-39 INNER CHC HEAD 0/000.680.8003 (u. 1)
27	● EXHAUST SILENCER MARATHON 125 AC EURO 4 2017 0/000.870.6009 (u. 1)
28	● HORN ATTACHMENT BOLT 0/000.460.0600 (u. 2)
29	● QUICK NUT DIN 934 M6 0/000.340.5101 (u. 2)
30	● FOAM FILTER MRT 0/001.070.5101 (u. 1)
31	● COMPLETE FILTER BOX 0/000.910.6003 (u. 1)
32	● FILTER BOX RUBBER CLAMP 0/000.680.7002 (u. 1)
33	● COMPLETE ENGINE CBD 125 AIR COOLED EURO4 2017 0/005.082.8001 (u. 1)
34	● SUPPORT CABLE ENGAGES THE CLUTCH 0/000.980.8315 (u. 1)
35	● METRIC SCREW 6 x 22 0/000.460.0310 (u. 1)
36	● GEAR CHANGE PEDAL 0/005.430.6001 (u. 1)
37	● HOSE CLAMP 0/000.680.8000 (u. 1)
38	● SCREW M6X20 0/000.460.3031 (u. 2)
39	● WASHER 0/000.440.6000 (u. 2)

**ELECTRICAL**

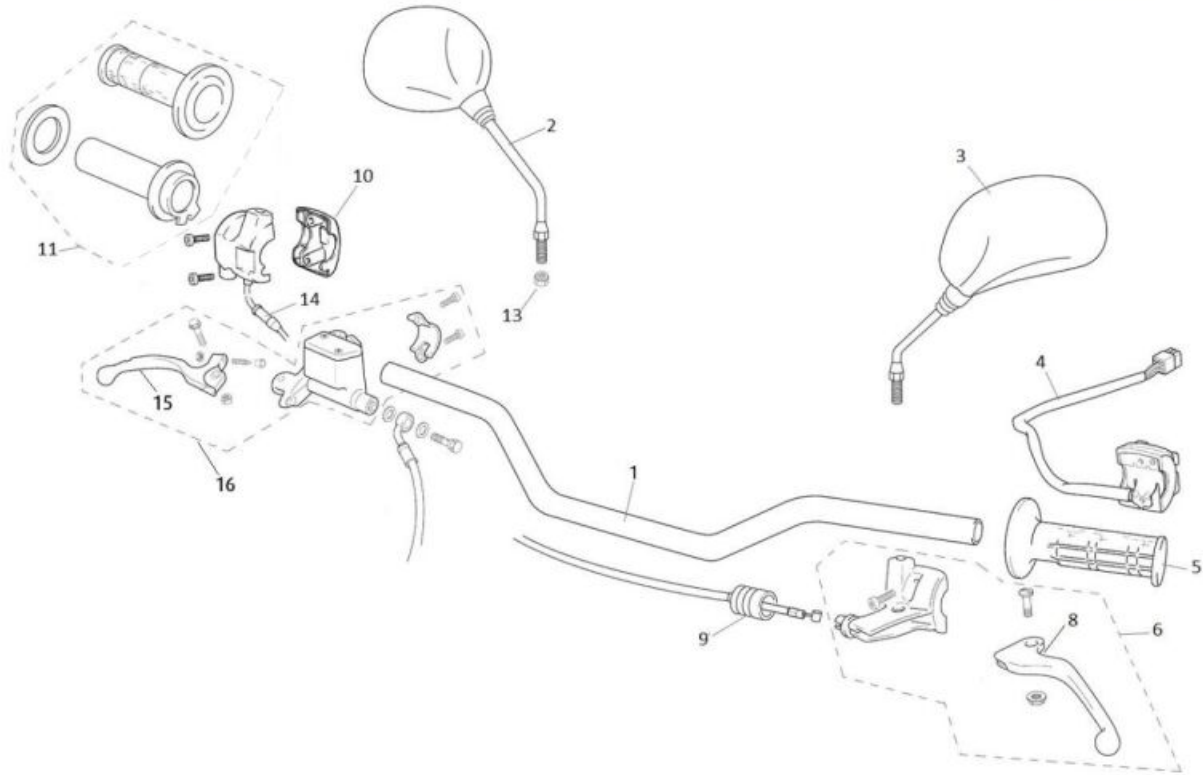


1	<ul style="list-style-type: none"> <li>REAR ELECTRICAL INSTALLATION MRT 0/000.160.6006 (u. 1)</li> </ul>	
2	<ul style="list-style-type: none"> <li>ELECTRICAL HARNESS MRT 125 AC EURO 4 2017 0/000.160.6031 (u. 1)</li> </ul>	
3	<ul style="list-style-type: none"> <li>OUTER COIL 0/227.012.0001 (u. 1)</li> </ul>	
4	<ul style="list-style-type: none"> <li>ENGINE SPARK PLUG PIPE 125 2009 0/005.110.6002 (u. 1)</li> </ul>	
5	<ul style="list-style-type: none"> <li>CENTRALITA MOTOR 125 AC EURO4 2017 0/005.705.3947 (u. 1)</li> </ul>	
6	<ul style="list-style-type: none"> <li>REGULATOR 0/227.012.0003 (u. 1)</li> </ul>	
7	<ul style="list-style-type: none"> <li>FLASHER UNIT 0/001.200.5032 (u. 1)</li> </ul>	
8	<ul style="list-style-type: none"> <li>TORNILLO ISO 7380 con pin Torx T-40 M8x20 INOX 0/000.460.0097 (u. 2)</li> </ul>	
	<ul style="list-style-type: none"> <li>IGNITION KEY BARREL BOLT 0/000.460.2003 (u. 2)</li> </ul>	<b>OBSOLETE</b>
9	<ul style="list-style-type: none"> <li>KEY AND LOCK SET RR/MRX 2007 0/001.060.0041 (u. 1)</li> </ul>	<b>OBSOLETE</b>
	<ul style="list-style-type: none"> <li>KEY SET MRT v.2 2021 0/001.060.5000 (u. 1) - ADD 0/000.220.5019</li> </ul>	
9A	<ul style="list-style-type: none"> <li>CHAPA BLOQUEO CIERRE TAPON GASOLINA MRT v.2 0/000.220.5019 (u. 1)</li> </ul>	
10	<ul style="list-style-type: none"> <li>STARTER RELAY 0/227.012.0004 (u. 1)</li> </ul>	
11	<ul style="list-style-type: none"> <li>RIGHT HAND INDICATOR OVAL 0/000.150.2100 (u. 1)</li> </ul>	

12	<ul style="list-style-type: none"> <li>LEFT HAND INDICATOR OVAL 0/000.150.2200 (u. 1)</li> </ul>	
13	<ul style="list-style-type: none"> <li>TORNILLO ISO 7380 Torx T-25 con arandela M5x16 INOX 0/000.460.0083 (u. 4)</li> </ul>	
	<ul style="list-style-type: none"> <li>INDICATOR ATTACHMENT BOLT 0/000.460.1170 (u. 4)</li> </ul>	
14	<ul style="list-style-type: none"> <li>INDICATOR ATTACHMENT NUT 0/000.340.0172 (u. 4)</li> </ul>	
15	<ul style="list-style-type: none"> <li>CTA. KMS. COMPLETO KOSO EX02 EURO 4 SIN SENSOR 0/001.000.2108 (u. 1)</li> </ul>	<b>OBSOLETE</b>
	<ul style="list-style-type: none"> <li>CTA REPLACEMENT KIT. KMS. COMPLETE KOSO EX02 EURO 4 WITHOUT SENSOR 0/K01.000.5104 (u. 1)</li> </ul>	
16	<ul style="list-style-type: none"> <li>HORN CLASS II TYPE DL128J - 12V 0/000.420.5011 (u. 1)</li> </ul>	
17	<ul style="list-style-type: none"> <li>HORN ATTACHMENT BOLT 0/000.460.0600 (u. 1)</li> </ul>	
18	<ul style="list-style-type: none"> <li>LAMP H4 35/35 12V. 0/000.850.9000 (u. 1)</li> </ul>	
19	<ul style="list-style-type: none"> <li>HEADLIGHT WITH BULB COMPLETE PT-107 0/000.600.0270 (u. 1)</li> </ul>	
20	<ul style="list-style-type: none"> <li>HEADLAMP BEAM UNIT BUSHING BOLT 0/000.460.0786 (u. 1)</li> </ul>	
21	<ul style="list-style-type: none"> <li>Battery 12V A4 (114x71x106) 0/000.900.6000 (u. 1)</li> </ul>	
22	<ul style="list-style-type: none"> <li>PILOT BACK LIGHT NAKED 125 0/000.150.6000 (u. 1)</li> </ul>	
23	<ul style="list-style-type: none"> <li>REAR LIGHT ATTACHMENT BOLT 0/000.460.5200 (u. 2)</li> </ul>	
24	<ul style="list-style-type: none"> <li>LIGHT LAMP 0/000.850.0220 (u. 1)</li> </ul>	
25	<ul style="list-style-type: none"> <li>COMPLETE REAR LIGHT 0/000.150.2020 (u. 1)</li> </ul>	
	<ul style="list-style-type: none"> <li>COMPLETE REAR LIGHT 0/000.150.2010 (u. 1)</li> </ul>	<b>OBSOLETE</b>
26	<ul style="list-style-type: none"> <li>OBD READER AND HARNESS SUPPLEMENT EURO 4 0/K00.160.6000 (u. 1)</li> </ul>	
27	<ul style="list-style-type: none"> <li>OBD CONNECTOR CAP 0/000.410.0364 (u. 1)</li> </ul>	
28	<ul style="list-style-type: none"> <li>OBD HARNESS SUPPLEMENT EURO 4 0/000.160.6022 (u. 1)</li> </ul>	

**HANDLEBAR**

**MARATHON AC 125 E4**

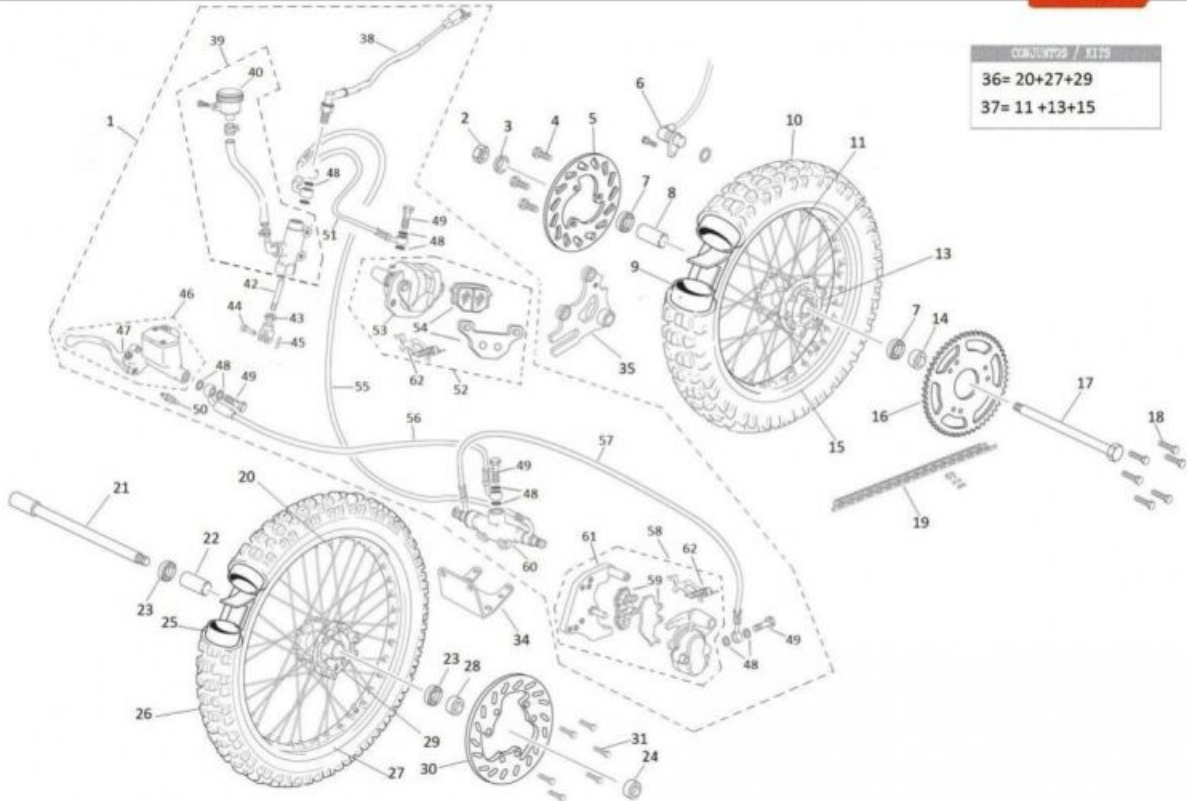


1	<ul style="list-style-type: none"> <li>HANDLEBARS</li> <li>0/000.170.5000 (u. 1)</li> </ul>
2	<ul style="list-style-type: none"> <li>R/H MIRROR TANGO</li> <li>0/000.990.8000 (u. 1)</li> </ul>
3	<ul style="list-style-type: none"> <li>L/H MIRROR TANGO</li> <li>0/000.990.8001 (u. 1)</li> </ul>
4	<ul style="list-style-type: none"> <li>STOP SWITCH LEFT COMPLETE WITH LIGHTS &amp; HORN 2010</li> <li>0/000.720.5002 (u. 1)</li> </ul>
5	<ul style="list-style-type: none"> <li>CLUTCH GRIP 022 MRT 2010</li> <li>0/000.530.5008 (u. 1)</li> </ul>
6	<ul style="list-style-type: none"> <li>LEVERLESS CLUTCH LEVER STARTER TANGO 125 2013</li> <li>0/000.830.5006 (u. 1)</li> </ul>
	<ul style="list-style-type: none"> <li>LEVERLESS CLUTCH LEVER STARTER TANGO 125 2013</li> <li>0/000.830.5006 (u. 1)</li> <li>FULL CLUTCH LEVER</li> <li>0/000.830.5004 (u. 1)</li> </ul>
	<b>OBSOLETE</b>
7	<ul style="list-style-type: none"> <li>STARTER CABLE</li> <li>0/000.550.5002 (u. 1)</li> </ul>
8	<ul style="list-style-type: none"> <li>Clutch Lever Only Tango 250</li> <li>0/000.830.8301 (u. 1)</li> </ul>
9	<ul style="list-style-type: none"> <li>CLUTCH CABLE COMPLETE TANGO 250 2011</li> <li>0/000.550.8306 (u. 1)</li> </ul>
10	<ul style="list-style-type: none"> <li>IGNITION STOP SWITCH 2010</li> <li>0/000.720.8300 (u. 1)</li> </ul>
11	<ul style="list-style-type: none"> <li>COMPLETE THROTTLE ASS'Y ENDURO 2010</li> <li>0/000.530.5007 (u. 1)</li> </ul>
12	<ul style="list-style-type: none"> <li>STOP SWITCH</li> <li>0/000.720.0070 (u. 1)</li> </ul>

13	● TUERCA ADAPTADOR ESPEJO 0/000.465.8300 (u. 2)	<b>OBSOLETE</b>
14	● THROTTLE CABLE MARATHON 125 AC 2012 0/000.550.6013 (u. 1)	
15	● BRAKE LEVER ONLY 0/000.830.1011 (u. 1)	
16	● FRONT BRAKE PUMP WITH LEVER CBS 0/000.820.0325 (u. 1)	

WHEELS -BRAKES

MARATHON AC 125 E4



COMBINATIONS / KITS  
36= 20+27+29  
37= 11+13+15

1	<ul style="list-style-type: none"> <li>● COMBINED BRAKING ASSY MARATHON 125 AC 0/000.820.0776 (u. 1)</li> </ul>
2	<ul style="list-style-type: none"> <li>● SWING ARM SHAFT NUT 0/000.340.0186 (u. 1)</li> </ul>
3	<ul style="list-style-type: none"> <li>● SWING ARM SHAFT WASHER 0/000.440.0123 (u. 1)</li> </ul>
4	<ul style="list-style-type: none"> <li>● BIS 8X25 0/000.460.5002 (u. 3)</li> </ul>
5	<ul style="list-style-type: none"> <li>● DISCO FRENO TRASERO Ø200 2016 CON AGUJERO SENSOR 0/R01.090.0253 (u. 1) - Disc 0/001.090.0253 with hole for speedometer sensor</li> <li>● REAR BRAKE DISK Ø200 2016 0/001.090.0253 (u. 1)</li> </ul>
6	<ul style="list-style-type: none"> <li>● SA-01 SPEED SENSOR WITOUT O-RING 0/001.010.2102 (u. 1)</li> </ul>
7	<ul style="list-style-type: none"> <li>● FRONT WHEEL BEARING 0/000.960.0050 (u. 2)</li> </ul>
8	<ul style="list-style-type: none"> <li>● WHEEL BALL BEARING SEPARATOR 0/000.480.5007 (u. 1)</li> </ul>
9	<ul style="list-style-type: none"> <li>● INNER TUB DE MB 18V1-09-1 0/000.520.0510 (u. 1)</li> </ul>
10	<ul style="list-style-type: none"> <li>● MOTORCYCLE TYRE 110/80-18 58P TT MC23 ROCKRIDER MI 0/000.510.0512 (u. 1)</li> </ul>
11	<ul style="list-style-type: none"> <li>● SPOKES SET 0/K00.540.0000 (u. 12)</li> </ul>
13	<ul style="list-style-type: none"> <li>● REAR ROLLER 0/000.080.0121 (u. 1)</li> </ul>

OBSOLETE

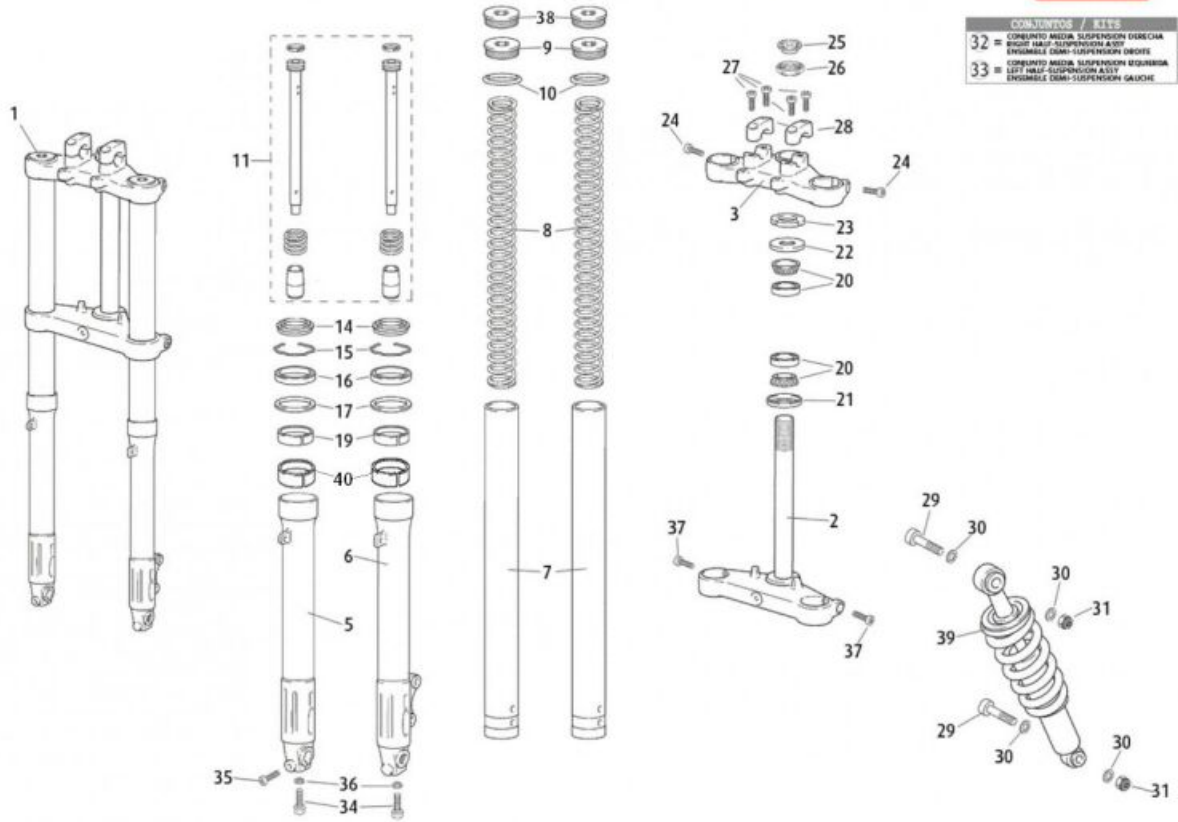
14	<ul style="list-style-type: none"> <li>● WHEEL SEPARATOR 0/000.480.8000 (u. 1)</li> </ul>	
	<ul style="list-style-type: none"> <li>● SPACER Ø22 X 3.5 X H18.5 0/000.480.5033 (u. 1)</li> </ul>	<b>OBSOLETE</b>
15	<ul style="list-style-type: none"> <li>● SINGLE REAR WHEEL RIM (without spokes) 0/000.230.0853 (u. 1)</li> </ul>	
16	<ul style="list-style-type: none"> <li>● REAR SPROCKET z48 428 1/2"x5/16" r.8,51 e7 0/000.500.6000 (u. 1)</li> </ul>	
17	<ul style="list-style-type: none"> <li>● REAR WHEEL SHAFT 0/000.190.5301 (u. 1)</li> </ul>	
18	<ul style="list-style-type: none"> <li>● SCREW DIN 6921 M8X35 0/000.460.0672 (u. 6)</li> </ul>	
19	<ul style="list-style-type: none"> <li>● CHAIN 0/001.050.6011 (u. 1)</li> </ul>	
20	<ul style="list-style-type: none"> <li>● KIT RADIOS DEL 252X3.06 (M3,5) CON CABECILLA 0/K00.540.5005 (u. 36)</li> </ul>	
	<ul style="list-style-type: none"> <li>● SPOKE 252 x 3,06 (M3,5) 0/000.540.5005 (u. 36)</li> </ul>	
21	<ul style="list-style-type: none"> <li>● FRONT WHEEL SHAFT MRT 0/000.190.5304 (u. 1)</li> </ul>	
22	<ul style="list-style-type: none"> <li>● SPACER Ø22x3.25x66.5 0/000.480.5039 (u. 1)</li> </ul>	
23	<ul style="list-style-type: none"> <li>● FRONT WHEEL BEARING 0/000.960.0050 (u. 2)</li> </ul>	
24	<ul style="list-style-type: none"> <li>● FRONT WHEEL SHAFT SEPARATOR 0/000.480.5031 (u. 1)</li> </ul>	
25	<ul style="list-style-type: none"> <li>● MOTORCYCLE TUBE 80/90//90-21 TR6 PG MI 0/000.520.0502 (u. 1)</li> </ul>	
	<ul style="list-style-type: none"> <li>● CHAMBER 9-M-21' 0/000.520.0500 (u. 1)</li> </ul>	
26	<ul style="list-style-type: none"> <li>● MOTORCYCLE TYRE 80/90-21 48P TT MC23 ROCKRIDER MI 0/000.510.0502 (u. 1)</li> </ul>	
27	<ul style="list-style-type: none"> <li>● SINGLE FRONT WHEEL RIM 0/000.230.0803 (u. 1)</li> </ul>	
28	<ul style="list-style-type: none"> <li>● FRONT WHEEL SEPARATOR 0/000.480.5032 (u. 1)</li> </ul>	
29	<ul style="list-style-type: none"> <li>● SINGLE FRONT WHEEL SPOOL 0/000.070.0120 (u. 1)</li> </ul>	
30	<ul style="list-style-type: none"> <li>● FRONT DISK Ø260 0/001.090.0203 (u. 1)</li> </ul>	
31	<ul style="list-style-type: none"> <li>● SCREW DIN 6921 6X16 8,8 0/000.460.5001 (u. 6)</li> </ul>	
32	<ul style="list-style-type: none"> <li>● SWING ARM SHAFT WASHER 0/000.440.0123 (u. 1)</li> </ul>	
33	<ul style="list-style-type: none"> <li>● NUT DIM 934 M14 STEP 1.25 0/000.340.0300 (u. 1)</li> </ul>	
34	<ul style="list-style-type: none"> <li>● CBS VALVE HOLDER 0/000.980.6022 (u. 1)</li> </ul>	
35	<ul style="list-style-type: none"> <li>● REAR BRAKE CALIPER SUPPORT MARATHON 125 0/000.980.6021 (u. 1)</li> </ul>	
36	<ul style="list-style-type: none"> <li>● COMPLETE FRONT WHEEL ASSEMBLY W/O RUBBER 0/000.110.5440 (u. 1)</li> </ul>	
37	<ul style="list-style-type: none"> <li>● COMPLETE REAR WHEEL ASSEMBLY W/O RUBBER 0/000.120.5440 (u. 1)</li> </ul>	



38	<ul style="list-style-type: none"> <li>SWITCH STOP REAR BRAKE PUMP CBS 2017 0/000.720.0072 (u. 1)</li> <li>STOP SWITCH 0/000.720.0070 (u. 1)</li> </ul>
39	<ul style="list-style-type: none"> <li>COMPLETE REAR BRAKE PUMP CBS 2017 0/000.820.0326 (u. 1)</li> </ul>
40	<ul style="list-style-type: none"> <li>BRAKE FLUID TANK 0/000.030.0170 (u. 1)</li> </ul>
42	<ul style="list-style-type: none"> <li>BRAKE PUMP PUSHROD 0/000.240.5001 (u. 1)</li> </ul>
43	<ul style="list-style-type: none"> <li>(5 UNIT BAG) NUT DIN 934 M6 Cal.8 Z / WHITE 0/000.340.0130B (u. 1)</li> </ul>
44	<ul style="list-style-type: none"> <li>BRAKE LEVER PIN 0/000.840.0090 (u. 1)</li> </ul>
45	<ul style="list-style-type: none"> <li>SECURING PIN 0/000.840.0060 (u. 1)</li> </ul>
46	<ul style="list-style-type: none"> <li>FRONT BRAKE PUMP WITH LEVER CBS 0/000.820.0325 (u. 1)</li> </ul>
47	<ul style="list-style-type: none"> <li>BRAKE LEVER ONLY 0/000.830.1011 (u. 1)</li> </ul>
48	<ul style="list-style-type: none"> <li>BRAKE HOSE BOLT WASHER 0/000.440.7002 (u. 8)</li> </ul>
49	<ul style="list-style-type: none"> <li>BLEEDING BOLT M10x100 0/000.460.7013 (u. 4)</li> </ul>
50	<ul style="list-style-type: none"> <li>STOP SWITCH 0/000.720.0070 (u. 1)</li> </ul>
51	<ul style="list-style-type: none"> <li>REAR BRAKE PIPE FROM PUMP TO CALIPER 0/000.290.0279 (u. 1)</li> </ul>
52	<ul style="list-style-type: none"> <li>REAR BRAKE CALIPER WITH HOLDER CBS 2017 0/000.860.5121 (u. 1)</li> </ul>
53	<ul style="list-style-type: none"> <li>REAR BRAKE CALIPER HOLDER CBS 2017 0/000.640.0052 (u. 1)</li> </ul>
54	<ul style="list-style-type: none"> <li>BRAKE PADS CBS 0/000.930.0097 (u. 1)</li> </ul>
55	<ul style="list-style-type: none"> <li>BRAKE PIPE FROM CBS VALVE TO REAR BRAKE CALIPER 0/000.290.0276 (u. 1)</li> </ul>
56	<ul style="list-style-type: none"> <li>BRAKE PIPE FROM CBS VALVE TO FRONT BRAKE PUMP 0/000.290.0282 (u. 1)</li> </ul>
57	<ul style="list-style-type: none"> <li>BRAKE PIPE FROM CBS VALVE TO FRONT BRAKE CALIPER 0/000.290.0281 (u. 1)</li> </ul>
58	<ul style="list-style-type: none"> <li>FRONT BRAKE CALIPER WITH HOLDER CBS 2017 0/000.860.5122 (u. 1)</li> </ul>
59	<ul style="list-style-type: none"> <li>BRAKE PADS CBS 0/000.930.0097 (u. 1)</li> </ul>
60	<ul style="list-style-type: none"> <li>CBS VALVE ASSY 0/000.640.0045 (u. 1)</li> </ul>
61	<ul style="list-style-type: none"> <li>FRONT BRAKE CALIPER HOLDER CBS 2017 0/000.640.0051 (u. 1)</li> </ul>
62	<ul style="list-style-type: none"> <li>SET SPRING 0/000.640.0049 (u. 2)</li> </ul>

**FRONT FORK**

**MARATHON AC 125 E4**



CONJUNTOS / KITS	
32	CONJUNTO BIELLA SUSPENSIÓN DERECHA RIGHT HALF-SUSPENSION ASSEMBLY BIELLE COMB. SUSPENSION DROITE
33	CONJUNTO BIELLA SUSPENSIÓN IZQUIERDA LEFT HALF-SUSPENSION ASSEMBLY BIELLE COMB. SUSPENSION GAUCHE

1	<ul style="list-style-type: none"> <li>● KIT HORQUILLA COMPLETA MRT 0/K00.130.6003 (u. 1)</li> </ul>
2	<ul style="list-style-type: none"> <li>● FULL LOWER PLATE 0/000.130.6003 0/000.660.6009 (u. 1)</li> </ul>
3	<ul style="list-style-type: none"> <li>● UPPER PLATE 0/000.660.6008 (u. 1)</li> </ul>
5	<ul style="list-style-type: none"> <li>● SINGLE RIGHT-HAND LEG 0/000.880.6007 (u. 1)</li> </ul>
6	<ul style="list-style-type: none"> <li>● SINGLE LEFT-HAND LEG 0/000.880.6006 (u. 1)</li> </ul>
7	<ul style="list-style-type: none"> <li>● FORK TUBE + CAP 0/K00.290.0001 (u. 1)</li> </ul>
8	<ul style="list-style-type: none"> <li>● MAIN FORK PIPE SPRING 0/000.470.6104 (u. 1)</li> </ul>
9	<ul style="list-style-type: none"> <li>● UPPER FORK MAIN PIPE CAP 0/000.410.6010 (u. 1) - <i>THREAD TYPE 150</i></li> </ul>
10	<ul style="list-style-type: none"> <li>● UPPER FORK O-RING CAP 0/000.300.6006 (u. 1)</li> </ul>
11	<ul style="list-style-type: none"> <li>● SINGLE HYDRAULIC PIPE 0/000.290.6107 (u. 1)</li> </ul>
14	<ul style="list-style-type: none"> <li>● UPPER FORK SEAL DUST COVER 0/000.890.6007 (u. 2)</li> </ul>
15	<ul style="list-style-type: none"> <li>● SEALING FASTENER 0/000.300.6004 (u. 2)</li> </ul>
16	<ul style="list-style-type: none"> <li>● FORK SEAL 0/000.890.6008 (u. 2)</li> </ul>
17	<ul style="list-style-type: none"> <li>● SPRING WASHER 0/000.440.0184 (u. 2)</li> </ul>

19	<ul style="list-style-type: none"> <li>● LOWER FORK LEG BUSHING 0/000.480.6203 (u. 2)</li> </ul>	
20	<ul style="list-style-type: none"> <li>● STEERING BEARING MOD/PT101 0/000.960.0200 (u. 2)</li> </ul>	
21	<ul style="list-style-type: none"> <li>● STEERING DUSTGUARD 0/000.200.7000 (u. 1)</li> </ul>	<b>OBSOLETE</b>
	<ul style="list-style-type: none"> <li>● COVER 0/000.200.7001 (u. 1)</li> </ul>	<b>OBSOLETE</b>
	<ul style="list-style-type: none"> <li>● UPPER STEERING FORK DUST COVER 0/000.200.0001 (u. 1)</li> </ul>	
22	<ul style="list-style-type: none"> <li>● COVER 0/000.200.7001 (u. 1)</li> </ul>	<b>OBSOLETE</b>
	<ul style="list-style-type: none"> <li>● STEERING DUSTGUARD 0/000.200.7000 (u. 1)</li> </ul>	<b>OBSOLETE</b>
	<ul style="list-style-type: none"> <li>● UPPER STEERING FORK DUST COVER 0/000.200.0001 (u. 1)</li> </ul>	
23	<ul style="list-style-type: none"> <li>● NUT 0/000.340.6001 (u. 1)</li> </ul>	<b>OBSOLETE</b>
	<ul style="list-style-type: none"> <li>● LOWER NUT BRACKET 0/000.340.5204 (u. 1)</li> </ul>	
24	<ul style="list-style-type: none"> <li>● SCREW M8X35 0/000.460.0350 (u. 1)</li> </ul>	
25	<ul style="list-style-type: none"> <li>● RUBBER COVER 0/000.410.6011 (u. 1)</li> </ul>	
26	<ul style="list-style-type: none"> <li>● UPPER FORK NUT 0/000.340.6002 (u. 1)</li> </ul>	<b>OBSOLETE</b>
	<ul style="list-style-type: none"> <li>● TUERCA SUPERIOR DIRECC. HORQUILLA 0/000.130.6003 0/000.340.6006 (u. 1)</li> </ul>	
27	<ul style="list-style-type: none"> <li>● SECURING SCREW UPPER PLATE M8x40 0/000.460.0352 (u. 4)</li> </ul>	
28	<ul style="list-style-type: none"> <li>● HANDLEBAR ATTACHMENT CLAMPS 0/000.350.6003 (u. 2)</li> </ul>	
29	<ul style="list-style-type: none"> <li>● SCREW DIN 912 M10X60 0/000.460.0403 (u. 2)</li> </ul>	
30	<ul style="list-style-type: none"> <li>● SHOCK ABSORBER BOLT WASHER 0/000.440.0110 (u. 2)</li> </ul>	
31	<ul style="list-style-type: none"> <li>● SHOCK ABSORBER BOLT NUT 0/000.340.0182 (u. 2)</li> </ul>	
32	<ul style="list-style-type: none"> <li>● RIGHT-HAND HALF SUSPENSION ASSEMBLY 0/000.640.6008 (u. 1)</li> </ul>	
33	<ul style="list-style-type: none"> <li>● LEFT-HAND HALF SUSPENSION ASSEMBLY 0/000.640.6009 (u. 1)</li> </ul>	
34	<ul style="list-style-type: none"> <li>● SCREW M8X40 0/000.460.0341 (u. 2)</li> </ul>	
35	<ul style="list-style-type: none"> <li>● SCREW M8X35 0/000.460.0350 (u. 1)</li> </ul>	
36	<ul style="list-style-type: none"> <li>● WASHER 0/000.440.0185 (u. 2)</li> </ul>	
	<ul style="list-style-type: none"> <li>● WASHER 0/000.440.0181 (u. 2)</li> </ul>	<b>OBSOLETE</b>
37	<ul style="list-style-type: none"> <li>● SCREW M8X35 0/000.460.0350 (u. 2)</li> </ul>	
38	<ul style="list-style-type: none"> <li>● UPPER FORK MAIN PIPE CAP 0/000.410.6015 (u. 2) - PASO DE ROSCA 100</li> </ul>	
39	<ul style="list-style-type: none"> <li>● SHOCK ABSORBER MRT 50 0/000.180.0750 (u. 1)</li> </ul>	

40

- SPACER 38X36X15  
0/000.480.6008 (u. 2)

ACCESSORIES - WHEELS / SEATS

**MARATHON AC 125 E4**

ACCESORIOS  
ACCESSORIES  
ACCESSORI



1	<ul style="list-style-type: none"> <li>● FRONT WHEEL GEEEN 17" MRT 2017 0/000.120.5450 (u. 1) - LLANTA COMPLETA SIN NEUMATICO Y SIN DISCO DE FRENO</li> <li>● FRONT WHEEL GEEEN 17" MRT 2017 0/000.110.5450 (u. 1) - LLANTA COMPLETA SIN NEUMATICO Y SIN DISCO DE FRENO</li> </ul>	
2	<ul style="list-style-type: none"> <li>● BLUE COMPLETE FRONT WHEEL ASSEMBLY W/O RUBBER 0/000.110.5448 (u. 1) - LLANTA COMPLETA SIN NEUMATICO Y SIN DISCO DE FRENO</li> <li>● BLUE COMPLETE REAR WHEEL ASSEMBLY W/O RUBBER 0/000.120.5448 (u. 1) - LLANTA COMPLETA SIN NEUMATICO Y SIN DISCO DE FRENO</li> </ul>	
3	<ul style="list-style-type: none"> <li>● RED FRONT WHEEL 17" SM 2015 0/000.110.5447 (u. 1) - LLANTA COMPLETA SIN NEUMATICO Y SIN DISCO DE FRENO</li> <li>● RED FRONT WHEEL 17" SM 2015 0/000.120.5447 (u. 1) - LLANTA COMPLETA SIN NEUMATICO Y SIN DISCO DE FRENO</li> </ul>	
4	<ul style="list-style-type: none"> <li>● WHEEL SET 17" 10-SPOKED BLACK MARATHON 125 SM AC 0/K00.115.0016 (u. 1) - JUEGO DE RUEDAS COMPLETO CON DISCO DE FRENO</li> </ul>	
5	<ul style="list-style-type: none"> <li>● COMPLETE 17" RADIAL SPOKED WHEEL MRT 50 SM PRO 0/K00.115.0006 (u. 1) - JUEGO DE RUEDAS COMPLETO CON DISCO DE FRENO</li> </ul>	
6	<ul style="list-style-type: none"> <li>● SEAT MRT PRO RED JUMP 0/000.040.5358 (u. 1)</li> </ul>	<b>OBSOLETE</b>
7	<ul style="list-style-type: none"> <li>● SEAT MRT PRO SPECIAL EDITION BLACK/RED 0/000.040.5016 (u. 1)</li> <li>● SILLIN MRT PRO EDICION ESPECIAL NEGRO/ROJO 2021 0/000.040.5037 (u. 1)</li> </ul>	<b>OBSOLETE</b>
8	<ul style="list-style-type: none"> <li>● COMPLETE SEAT MRT PRO BLACK 0/000.040.5356 (u. 1)</li> </ul>	
9	<ul style="list-style-type: none"> <li>● COMPLETE SADDLE MRT YELLOW-BLACK REPLICAS SERIES 0/000.040.5360 (u. 1)</li> </ul>	
10	<ul style="list-style-type: none"> <li>● COMPLETE SEAT MRT BLUE-WHITE REPLICAS SERIES 0/000.040.5361 (u. 1)</li> </ul>	<b>OBSOLETE</b>

11	<ul style="list-style-type: none"> <li>● COMPLETE SEAT MRT GREEN REPLICAS SERIES 0/000.040.5362 (u. 1)</li> </ul>	
12	<ul style="list-style-type: none"> <li>● COMPLETE SEAT MRT BLUE-ORANGE REPLICAS SERIES 0/000.040.5363 (u. 1)</li> </ul>	<b>OBSOLETE</b>
13	<ul style="list-style-type: none"> <li>● COMPLETE SEAT MRT PRO 2015 GREEN 0/000.040.5357 (u. 1)</li> </ul>	<b>OBSOLETE</b>
14	<ul style="list-style-type: none"> <li>● COMPLETE SEAT MRT 125 BLUE 0/000.040.6011 (u. 1)</li> </ul>	
15	<ul style="list-style-type: none"> <li>● BLACK/FLUOR STICKERS SM RIM (1 piece) 0/000.390.7024 (u. 2) - <i>CALCA MRT SM FLUOR</i></li> </ul>	<b>OBSOLETE</b>
16	<ul style="list-style-type: none"> <li>● DECAL SET WHEEL RED TEAM SM RACING 2014 0/000.390.5122 (u. 2) - <i>CALCA LLANTA MRT SM ROJA / BLANCA</i></li> </ul>	

ACCESORIES - STICKERS SET

MARATHON AC 125 E4



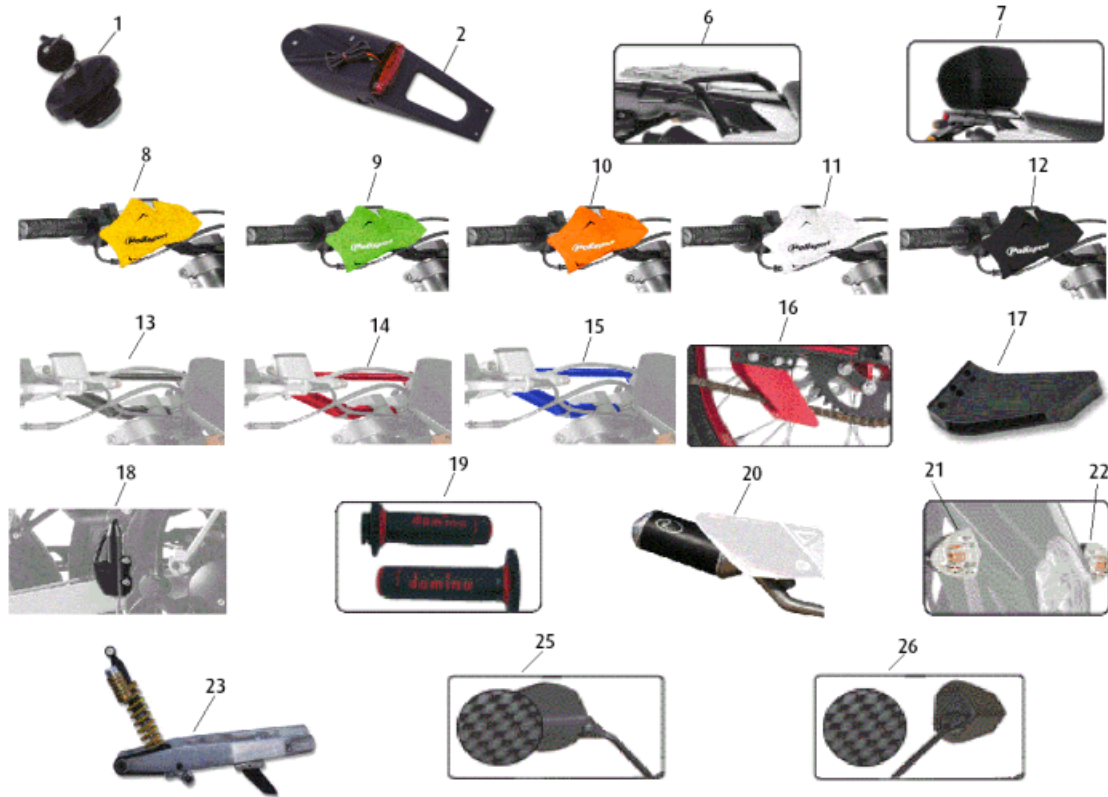
1	<ul style="list-style-type: none"> <li>● STICKERS SET MRT REPLICA SERIES ORANGE 2016 0/000.390.5160 (u. 1)</li> </ul>	
	<ul style="list-style-type: none"> <li>● STICKERS SET MRT REPLICA YELLOW EURO4 0/000.390.5167 (u. 1)</li> </ul>	OBSOLETE
2	<ul style="list-style-type: none"> <li>● STICKERS SET MRT REPLICA YELLOW EURO4 0/000.390.5167 (u. 1)</li> <li>● STICKERS SET MRT REPLICA SERIES YELLOW 2016 0/000.390.5157 (u. 1)</li> </ul>	OBSOLETE
3	<ul style="list-style-type: none"> <li>● STICKERS SET MRT REPLICA SERIES WHITE-BLUE 2016 0/000.390.5158 (u. 1)</li> </ul>	OBSOLETE
4	<ul style="list-style-type: none"> <li>● STICKERS SET MRT REPLICA SERIES GREEN 2016 0/000.390.5159 (u. 1)</li> </ul>	OBSOLETE
5	<ul style="list-style-type: none"> <li>● STICKERS SET MRT ORANGE 2015 0/000.390.5142 (u. 1)</li> </ul>	OBSOLETE
6	<ul style="list-style-type: none"> <li>● STICKERS SET MARATHON 125 AC 2016 0/000.390.5330 (u. 1)</li> </ul>	
7	<ul style="list-style-type: none"> <li>● STICKERS SET MRT TROPHY RED/BLACK 2016 0/000.390.5149 (u. 1)</li> </ul>	OBSOLETE
8	<ul style="list-style-type: none"> <li>● NOIR MRT 2015 SHIM SET 0/000.390.5141 (u. 1)</li> <li>● STICKERS SET MRT EURO 4 2018 0/000.390.5171 (u. 1)</li> </ul>	OBSOLETE
9	<ul style="list-style-type: none"> <li>● MRT PRO BLACK SERIES 2018 DECAL SET 0/000.390.5172 (u. 1)</li> <li>● SHIM SET MARATHON 125 0/000.390.5121 (u. 1)</li> </ul>	OBSOLETE

10	<ul style="list-style-type: none"><li>● FREE JUMP MRT SHIM SET 0/000.390.5143 (u. 1)</li></ul>	OBSOLETE
	<ul style="list-style-type: none"><li>● FREE JUMP GREEN STICKER SET 2018 0/000.390.5341 (u. 1)</li></ul>	
11	<ul style="list-style-type: none"><li>● FREE JUMP BLUE STICKER SET 2018 0/000.390.5340 (u. 1)</li></ul>	OBSOLETE
	<ul style="list-style-type: none"><li>● STICKERS SET MRT PRO FREE JUMP 0/000.390.5082 (u. 1)</li></ul>	
12	<ul style="list-style-type: none"><li>● STICKERS SET MRT LITE 2011 0/000.390.5090 (u. 1)</li></ul>	OBSOLETE



ACCESSORIES

MARATHON AC 125 E4

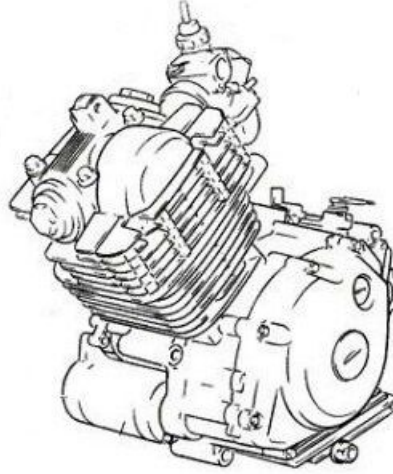


1	<ul style="list-style-type: none"> <li>FUEL CAP WITH KEY MRT 2010 0/000.410.5301 (u. 1)</li> </ul>	
2	<ul style="list-style-type: none"> <li>REAR LICENSE PLATE FENDER 2015 0/000.060.5114 (u. 1)</li> </ul>	
6	<ul style="list-style-type: none"> <li>LUGGAGE RACK MRT 2012 0/K00.980.5000 (u. 1)</li> </ul>	
7	<ul style="list-style-type: none"> <li>NADSA LUGGAGE CASE (7KG MAX LOAD) 0/001.800.0001 (u. 1)</li> </ul>	
8	<ul style="list-style-type: none"> <li>YELLOW HAND PROTECTOR 0/000.770.5706 (u. 1)</li> </ul>	
9	<ul style="list-style-type: none"> <li>GREEN HAND PROTECTORS 0/000.770.5707 (u. 1)</li> </ul>	
10	<ul style="list-style-type: none"> <li>PROTECTIVE SET FOR HANDLES PRO ORANGE 2016 0/000.770.5708 (u. 1)</li> </ul>	
11	<ul style="list-style-type: none"> <li>WHITE PROTECTOR HANDS 0/000.770.5704 (u. 1)</li> </ul>	
12	<ul style="list-style-type: none"> <li>BLACK PROTECTOR HANDS 0/000.770.5703 (u. 1)</li> </ul>	
13	<ul style="list-style-type: none"> <li>Variable Diameter Black Handlebar 0/000.170.9000 (u. 1)</li> <li>MANILLAR NEGRO DIAMETRO VARIABLE 0/000.170.9001 (u. 1)</li> </ul>	OBSELETE
14	<ul style="list-style-type: none"> <li>HANDLEBARS 0/000.170.0553 (u. 1)</li> <li>MANILLAR ALUMINIO Ø22 ANODIZADO ROJO (SIN LOGO) 0/000.170.0556 (u. 1)</li> </ul>	OBSELETE
15	<ul style="list-style-type: none"> <li>BLUE HANDLEBAR MRT 0/000.170.0551 (u. 1)</li> </ul>	OBSELETE

16	<ul style="list-style-type: none"> <li>● RED CHAIN GUIDE 2018 0/000.710.0303 (u. 1)</li> </ul>	
	<ul style="list-style-type: none"> <li>● RED CHAIN SLIDE 0/000.710.0301 (u. 1)</li> </ul>	<b>OBSOLETE</b>
17	<ul style="list-style-type: none"> <li>● CHAIN GUIDE 0/000.710.0300 (u. 1)</li> </ul>	<b>OBSOLETE</b>
	<ul style="list-style-type: none"> <li>● CHAIN GUIDE 2018 0/000.710.0302 (u. 1)</li> </ul>	
18	<ul style="list-style-type: none"> <li>● PROTECTIVE PUMP BACK BRAKE 0/000.220.5100 (u. 1)</li> </ul>	
19	<ul style="list-style-type: none"> <li>● TWIST GRIP ASSY 0/000.530.5003 (u. 1)</li> </ul>	
20	<ul style="list-style-type: none"> <li>● KIT SILENCIADOR-COLECTOR MARATHON AC 125cc TURBOKIT 0/K00.870.6001 (u. 1)</li> </ul>	
21	<ul style="list-style-type: none"> <li>● (RIGHT HAND FRONT/LEFT HAND REAR) INDICATORS LIGTH 0/000.150.7102 (u. 2)</li> </ul>	
22	<ul style="list-style-type: none"> <li>● (LEFT HAND FRONT/RIGHT HAND REAR) INDICATORS LIGTH 0/000.150.7103 (u. 2)</li> </ul>	
23	<ul style="list-style-type: none"> <li>● ALLOY SWINGARM WITH GAS SHOCK ABSORBER MRT PRO 0/K00.020.0000 (u. 1)</li> </ul>	
25	<ul style="list-style-type: none"> <li>● RIGHT HAND MIRROR 0/000.990.5004 (u. 1)</li> </ul>	
26	<ul style="list-style-type: none"> <li>● LEFT-HAND MIRROR 0/000.990.5003 (u. 1)</li> </ul>	

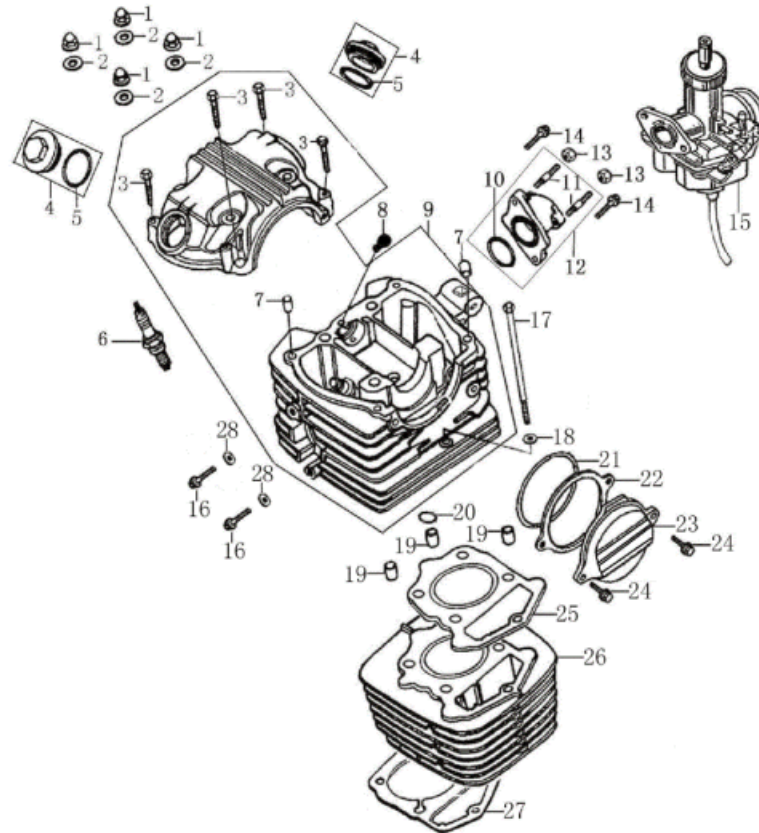
# Motor 125cc E4 2017

**COMPLET ENGINE**



- 1 ● COMPLETE ENGINE CBD 125 AIR COOLED EURO4 2017  
0/005.082.8001 (u. 1)

## CYLINDER HEAD - CYLINDER

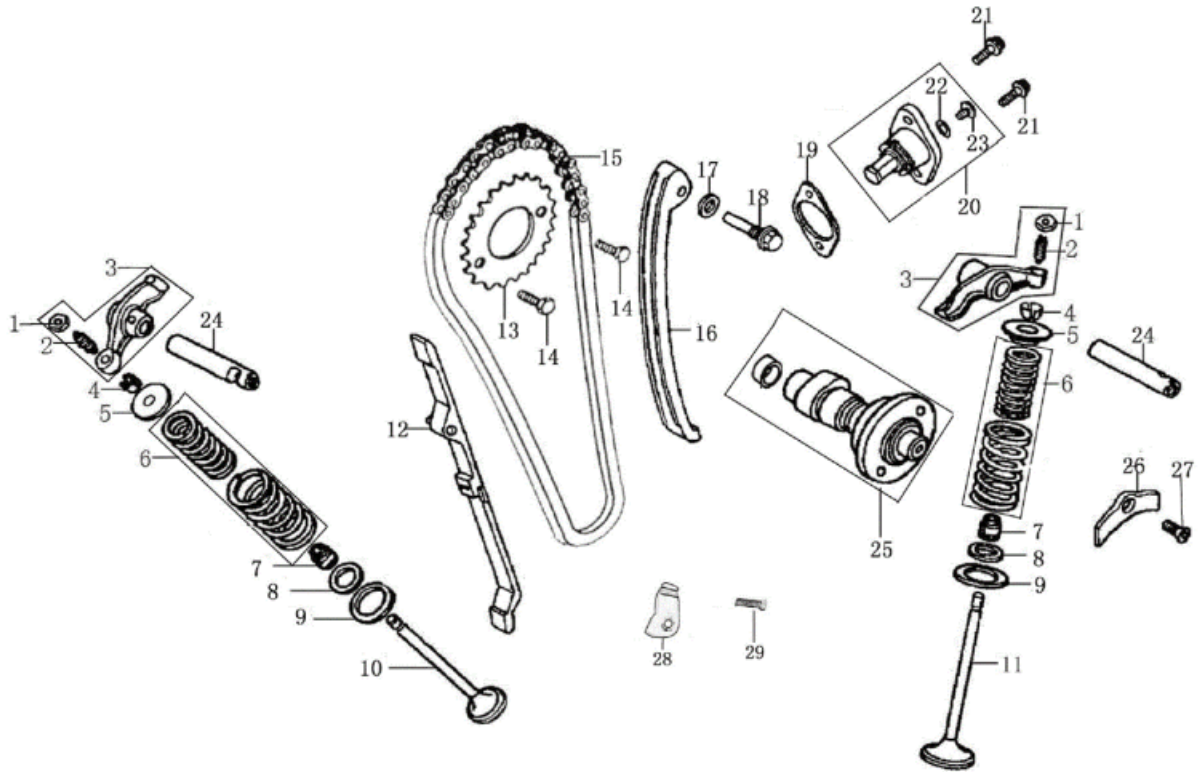
**MOTOR 125cc AC**


1	<ul style="list-style-type: none"> <li>SCREW M8</li> <li>0/227.001.0001 (u. 4)</li> </ul>
2	<ul style="list-style-type: none"> <li>WASHER 8,5x2x18</li> <li>0/227.001.0002 (u. 4)</li> </ul>
3	<ul style="list-style-type: none"> <li>SCREW M6x35</li> <li>0/227.001.0003 (u. 4)</li> </ul>
4	<ul style="list-style-type: none"> <li>EXTERIOR VALVE COVER</li> <li>0/227.001.0004 (u. 2)</li> </ul>
5	<ul style="list-style-type: none"> <li>O RING 35x3</li> <li>0/227.001.0005 (u. 2)</li> </ul>
6	<ul style="list-style-type: none"> <li>SPARK PLUG NGK DR8ES</li> <li>0/227.001.0006 (u. 1)</li> </ul>
7	<ul style="list-style-type: none"> <li>SPACER 8x14x6,3</li> <li>0/227.001.0007 (u. 2)</li> </ul>
8	<ul style="list-style-type: none"> <li>UPPER RUBBER</li> <li>0/227.001.0008 (u. 1)</li> </ul>
9	<ul style="list-style-type: none"> <li>CYLINDER HEAD</li> <li>0/227.001.0009 (u. 1)</li> </ul>
10	<ul style="list-style-type: none"> <li>O RING 33,5x3</li> <li>0/227.001.0010 (u. 1)</li> </ul>
11	<ul style="list-style-type: none"> <li>SCREW</li> <li>0/227.001.0011 (u. 2)</li> </ul>
12	<ul style="list-style-type: none"> <li>GOMA UNION CARBURADOR CILINDRO TANGO 125 2010</li> <li>0/000.360.8103 (u. 1) - <i>Tango 125 E4</i></li> <li>JOINING GASKET CARB MARATHON 125 AC 2012</li> <li>0/000.360.6022 (u. 1) - <i>Marathon 125 AC</i></li> </ul>
13	<ul style="list-style-type: none"> <li>BRAKE PUMP PUSHROD NUT</li> <li>0/000.340.0130 (u. 2)</li> </ul>

14	<ul style="list-style-type: none"> <li>● SCREW M6x20 0/227.001.0014 (u. 2)</li> </ul>
15	<ul style="list-style-type: none"> <li>● CARBURADOR MOTOR CBD EURO4 2017 C/BOLA 0/R27.001.0028 (u. 1)</li> </ul>
16	<ul style="list-style-type: none"> <li>● SCREW DIN 912 M7x25 ALLEN 12.9 0/000.460.0037 (u. 2)</li> </ul>
17	<ul style="list-style-type: none"> <li>● SCREW M6x110 0/227.001.0017 (u. 1)</li> </ul>
18	<ul style="list-style-type: none"> <li>● WASHER 6,2x2x13 0/227.001.0018 (u. 1)</li> </ul>
19	<ul style="list-style-type: none"> <li>● SEPARATOR 10x20 0/227.001.0019 (u. 3)</li> </ul>
20	<ul style="list-style-type: none"> <li>● O RING 10x1,6 0/227.001.0020 (u. 1)</li> </ul>
21	<ul style="list-style-type: none"> <li>● O RING 75x2,65 0/227.001.0021 (u. 1)</li> </ul>
22	<ul style="list-style-type: none"> <li>● CYLINDER COVER LATERAL GASKET 0/227.001.0022 (u. 1)</li> </ul>
23	<ul style="list-style-type: none"> <li>● LEFT COVER OF CYLINDER 0/227.001.0023 (u. 1)</li> </ul>
24	<ul style="list-style-type: none"> <li>● SCREW M6x20 0/227.001.0014 (u. 2)</li> </ul>
25	<ul style="list-style-type: none"> <li>● GASKET ASS'Y, CYLINDER HEAD 0/227.001.0025 (u. 1)</li> </ul>
26	<ul style="list-style-type: none"> <li>● CYLINDER 0/227.001.0026 (u. 1)</li> </ul>
27	<ul style="list-style-type: none"> <li>● CYLINDER GASKET, CYLINDER BLOCK 0/227.001.0027 (u. 1)</li> </ul>
28	<ul style="list-style-type: none"> <li>● SAFETY WASHER AET M8 Cal.A2 INOX 0/000.440.0016 (u. 2)</li> </ul>

**VALVES -DISTRIBUTION CHAIN**

**MOTOR 125cc AC**



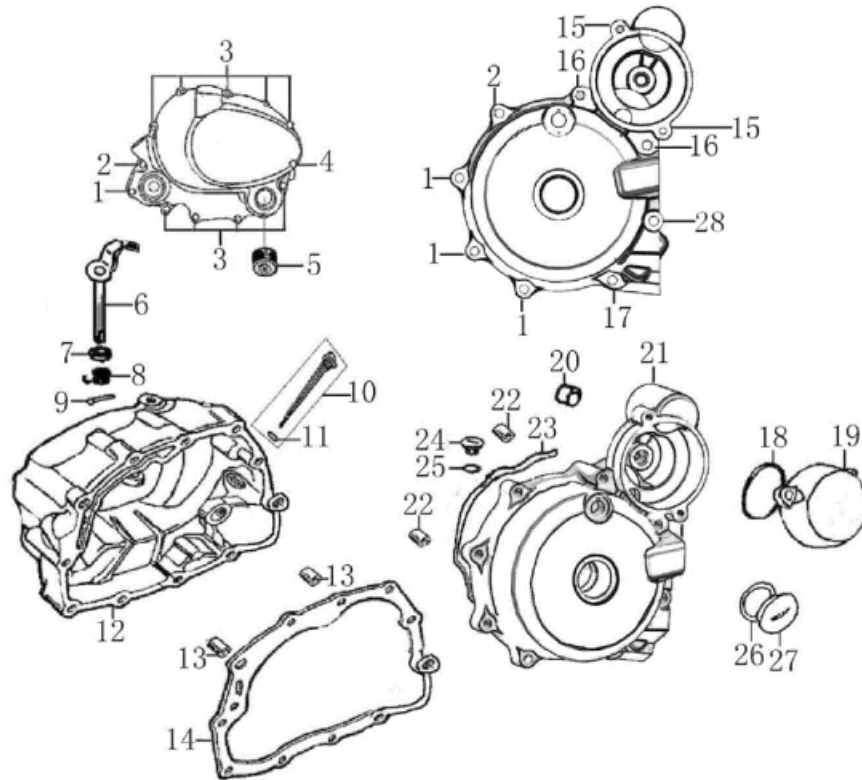
1	<ul style="list-style-type: none"> <li>● VALVE CLOSING SCREW 0/227.002.0001 (u. 2)</li> </ul>
2	<ul style="list-style-type: none"> <li>● VALVE SCREW 0/227.002.0002 (u. 2)</li> </ul>
3	<ul style="list-style-type: none"> <li>● ROCKER ARM 0/227.002.0003 (u. 2)</li> </ul>
4	<ul style="list-style-type: none"> <li>● VALVE CLOSURE 0/227.002.0004 (u. 4)</li> </ul>
5	<ul style="list-style-type: none"> <li>● PREASURE WASHER 0/227.002.0005 (u. 2)</li> </ul>
6	<ul style="list-style-type: none"> <li>● VALVE INTERNAL QUAY 0/227.002.0006 (u. 2)</li> </ul>
7	<ul style="list-style-type: none"> <li>● VALVE SEAL 0/227.002.0007 (u. 2)</li> </ul>
8	<ul style="list-style-type: none"> <li>● RING SEAL 0/227.002.0008 (u. 2)</li> </ul>
9	<ul style="list-style-type: none"> <li>● VALVE SEAL 0/227.002.0009 (u. 2)</li> </ul>
10	<ul style="list-style-type: none"> <li>● EXHAUST VALVE 0/227.002.0010 (u. 1)</li> </ul>
11	<ul style="list-style-type: none"> <li>● ADMISSION VALVE 0/227.002.0011 (u. 1)</li> </ul>
12	<ul style="list-style-type: none"> <li>● CHAIN GUIDE 0/227.002.0012 (u. 1)</li> </ul>
13	<ul style="list-style-type: none"> <li>● CHAIN SPROCKET 0/227.002.0013 (u. 1)</li> </ul>
14	<ul style="list-style-type: none"> <li>● SCREW M6X10 0/227.002.0014 (u. 2)</li> </ul>

15	<ul style="list-style-type: none"> <li>● DISTRIBUTION CHAIN 0/227.002.0015 (u. 1)</li> </ul>
16	<ul style="list-style-type: none"> <li>● CHAIN TENSIONER 0/227.002.0016 (u. 1)</li> </ul>
17	<ul style="list-style-type: none"> <li>● WASHER 8,5x1,5x14 0/227.002.0017 (u. 1)</li> </ul>
18	<ul style="list-style-type: none"> <li>● SCREW 0/227.002.0018 (u. 1)</li> </ul>
19	<ul style="list-style-type: none"> <li>● TENSOR LID GASKET 0/227.002.0019 (u. 1)</li> </ul>
20	<ul style="list-style-type: none"> <li>● TENSOR LID 0/227.002.0020 (u. 1)</li> </ul>
21	<ul style="list-style-type: none"> <li>● SCREW M6x16 0/227.002.0021 (u. 2)</li> </ul>
22	<ul style="list-style-type: none"> <li>● O RING 9x1,8 0/227.002.0022 (u. 1)</li> </ul>
23	<ul style="list-style-type: none"> <li>● SCREW 0/227.002.0023 (u. 1)</li> </ul>
24	<ul style="list-style-type: none"> <li>● SHAFT 0/227.002.0024 (u. 2)</li> </ul>
25	<ul style="list-style-type: none"> <li>● CAMSHAFT 0/227.002.0025 (u. 1)</li> </ul>
26	<ul style="list-style-type: none"> <li>● CHAIN GUIDE PLATEN 0/227.002.0026 (u. 1)</li> </ul>
27	<ul style="list-style-type: none"> <li>● SCREW M6x16 0/227.002.0027 (u. 1)</li> </ul>
28	<ul style="list-style-type: none"> <li>● ASSEMBLY, CHAIN PROTECT PLATE 0/227.002.0028 (u. 1)</li> </ul>
29	<ul style="list-style-type: none"> <li>● SCREW M6x16 0/227.002.0029 (u. 1)</li> </ul>



**CLUTCH COVER**

**MOTOR 125cc AC**

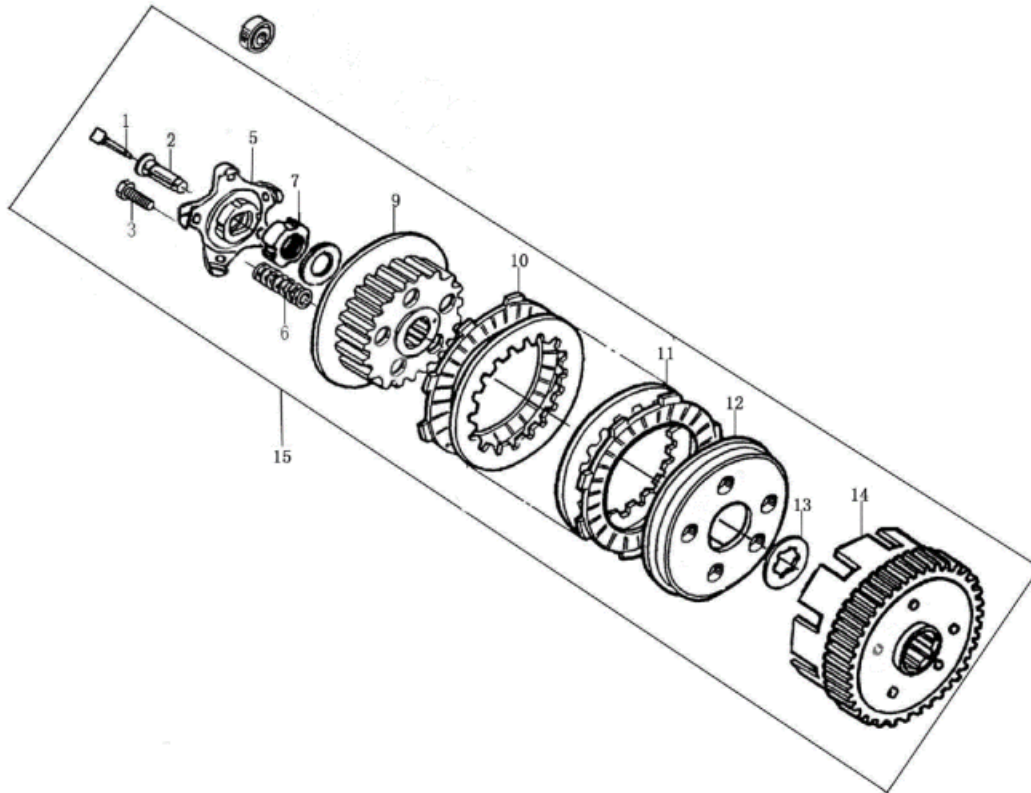


1	<ul style="list-style-type: none"> <li>● SCREW M6X25 0/227.003.0001 (u. 4)</li> </ul>
2	<ul style="list-style-type: none"> <li>● SCREW M6x35 0/227.001.0003 (u. 2)</li> </ul>
3	<ul style="list-style-type: none"> <li>● SCREW M6X40 0/227.003.0003 (u. 9)</li> </ul>
4	<ul style="list-style-type: none"> <li>● SCREW M6X50 0/227.003.0004 (u. 1)</li> </ul>
5	<ul style="list-style-type: none"> <li>● OIL LEVEL CAP 0/227.003.0005 (u. 1)</li> </ul>
6	<ul style="list-style-type: none"> <li>● CAM CLUTCH 0/227.003.0006 (u. 1)</li> </ul>
7	<ul style="list-style-type: none"> <li>● CLUTCH CAM OIL SEAL 0/227.003.0007 (u. 1)</li> </ul>
8	<ul style="list-style-type: none"> <li>● CLUTCH LEVER SPRING 0/227.003.0008 (u. 1)</li> </ul>
9	<ul style="list-style-type: none"> <li>● PIN 3x12 0/227.003.0009 (u. 1)</li> </ul>
10	<ul style="list-style-type: none"> <li>● OIL RULER ASSY 0/227.003.0010 (u. 1)</li> </ul>
11	<ul style="list-style-type: none"> <li>● O RING 18x3 0/227.003.0011 (u. 1)</li> </ul>
12	<ul style="list-style-type: none"> <li>● COVER COMP. RIGHT CRANKCASE 0/227.003.0012 (u. 1)</li> </ul>
13	<ul style="list-style-type: none"> <li>● SPACER 8x14x6,3 0/227.001.0007 (u. 2)</li> </ul>
14	<ul style="list-style-type: none"> <li>● GASKET, R.CRANKCASE COVER 0/227.003.0014 (u. 1)</li> </ul>

15	● SCREW M6x20 0/227.001.0014 (u. 2)	
16	● SCREW M6X55 0/227.003.0016 (u. 2)	
17	● SCREW M6X45 0/227.003.0017 (u. 1)	<b>OBSOLETE</b>
18	● O RING 63x2,65 0/227.003.0018 (u. 1)	
19	● COVER REDUCTION GEAR 0/227.003.0019 (u. 1)	
20	● BEARING 0/227.003.0020 (u. 1)	
21	● FRONT PART, L.CRANKCASE COVER 0/227.003.0021 (u. 1)	
22	● SPACER 8x14x6,3 0/227.001.0007 (u. 2)	
23	● GASKET, L.CRANKCASE COVER 0/227.003.0023 (u. 1)	
24	● CAP SMALL CRANKCASE 0/227.003.0024 (u. 1)	
25	● O RING 13,2X2,65 0/227.003.0025 (u. 1)	
26	● O RING 27,4X2,65 0/227.003.0026 (u. 1)	
27	● BIG CAP STEERING WHEEL COVER 0/227.003.0027 (u. 1)	
28	● SCREW M6X60 0/227.003.0028 (u. 1)	

## CLUTCH

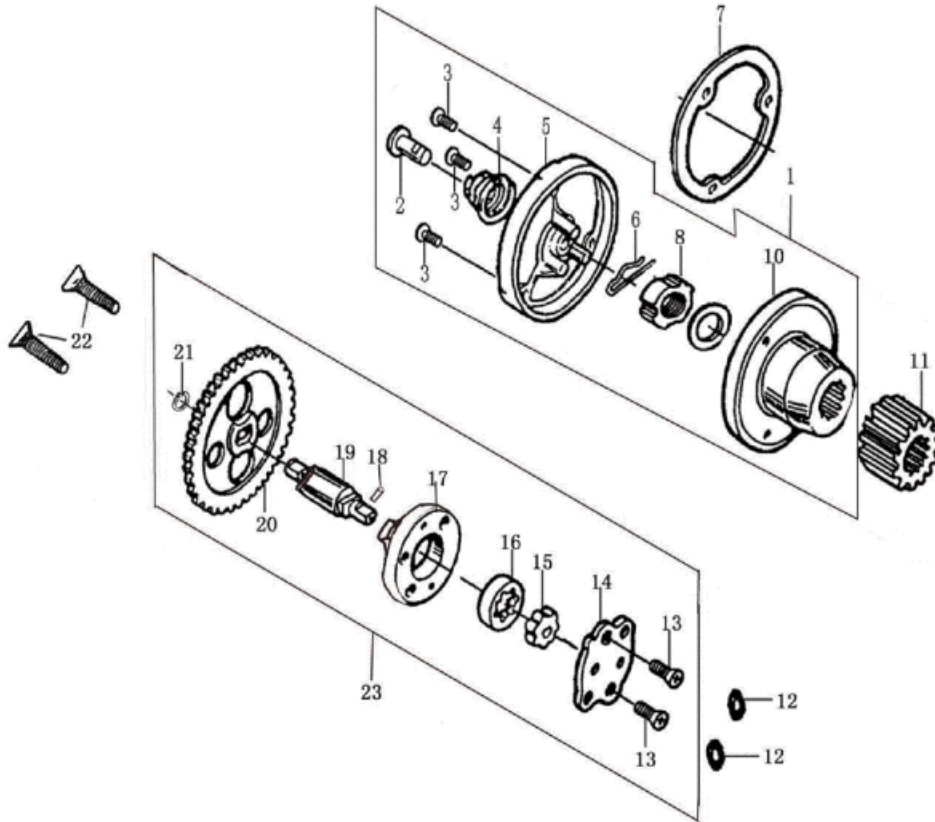
## MOTOR 125cc AC



1	<ul style="list-style-type: none"> <li>● ROD, CLUTCH PUSH 0/227.004.0001 (u. 1)</li> </ul>
2	<ul style="list-style-type: none"> <li>● SEPARATING AXLE SLEEVE 0/227.004.0002 (u. 1)</li> </ul>
3	<ul style="list-style-type: none"> <li>● SCREW M6X22 0/227.004.0003 (u. 5)</li> </ul>
5	<ul style="list-style-type: none"> <li>● END COVER CLUTCH 0/227.004.0005 (u. 1)</li> </ul>
6	<ul style="list-style-type: none"> <li>● SPRING, CLUTCH 0/227.004.0006 (u. 5)</li> </ul>
7	<ul style="list-style-type: none"> <li>● LOCK NUT, CLUTCH 0/227.004.0007 (u. 1)</li> </ul>
8	<ul style="list-style-type: none"> <li>● WASHER 0/227.004.0008 (u. 1)</li> </ul>
9	<ul style="list-style-type: none"> <li>● CENTER SLEEVE, CLUTCH 0/227.004.0009 (u. 1)</li> </ul>
10	<ul style="list-style-type: none"> <li>● DRIVE FRICTION DISK 0/227.004.0010 (u. 5)</li> </ul>
11	<ul style="list-style-type: none"> <li>● OUTER FRICTION DISK 0/227.004.0011 (u. 4)</li> </ul>
12	<ul style="list-style-type: none"> <li>● PREASSURE PLATE, CLUTCH 0/227.004.0012 (u. 1)</li> </ul>
13	<ul style="list-style-type: none"> <li>● WAHSER 0/227.004.0013 (u. 1)</li> </ul>
14	<ul style="list-style-type: none"> <li>● OUT CASE ASSEMBLY, CLUTCH 0/227.004.0014 (u. 1)</li> </ul>
15	<ul style="list-style-type: none"> <li>● CLUTCH ASSY 0/227.004.0015 (u. 1)</li> </ul>

LUBRICATION SYSTEM

**MOTOR 125cc AC**

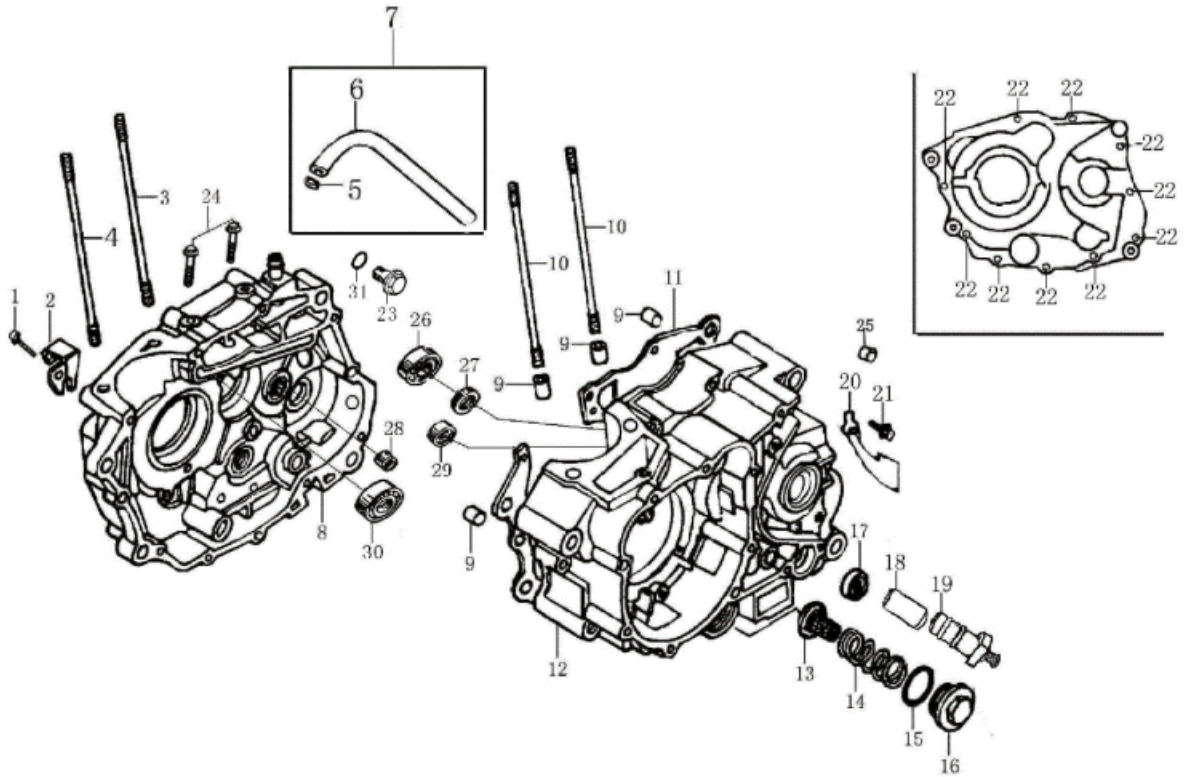


1	<ul style="list-style-type: none"> <li>OIL FILTER COMPL.</li> <li>0/227.005.0001 (u. 1)</li> </ul>	
2	<ul style="list-style-type: none"> <li>OIL PIPE</li> <li>0/227.005.0002 (u. 1)</li> </ul>	<b>OBSOLETE</b>
3	<ul style="list-style-type: none"> <li>SCREW M5x12</li> <li>0/227.005.0003 (u. 3)</li> </ul>	
4	<ul style="list-style-type: none"> <li>SPRING, OIL PIPE</li> <li>0/227.005.0004 (u. 1)</li> </ul>	
5	<ul style="list-style-type: none"> <li>OIL FILTER COVER</li> <li>0/227.005.0005 (u. 1)</li> </ul>	
6	<ul style="list-style-type: none"> <li>OPEN PIN</li> <li>0/227.005.0006 (u. 1)</li> </ul>	
7	<ul style="list-style-type: none"> <li>GASKET, OIL FILTER</li> <li>0/227.005.0007 (u. 1)</li> </ul>	
8	<ul style="list-style-type: none"> <li>NUT</li> <li>0/227.005.0008 (u. 1)</li> </ul>	
9	<ul style="list-style-type: none"> <li>WASHER</li> <li>0/227.004.0008 (u. 1)</li> </ul>	
10	<ul style="list-style-type: none"> <li>OIL FILTER BODY</li> <li>0/227.005.0010 (u. 1)</li> </ul>	
11	<ul style="list-style-type: none"> <li>PRIMARY DRIVE GEAR</li> <li>0/227.005.0011 (u. 1)</li> </ul>	
12	<ul style="list-style-type: none"> <li>O RING 9,4X2,4</li> <li>0/227.005.0012 (u. 2)</li> </ul>	
13	<ul style="list-style-type: none"> <li>SCREW M4x10</li> <li>0/227.005.0013 (u. 2)</li> </ul>	
14	<ul style="list-style-type: none"> <li>OIL PUMP COVER</li> <li>0/227.005.0014 (u. 1)</li> </ul>	

15	● INNER ROTOR, OIL PUMP 0/227.005.0015 (u. 1)
16	● OUTER ROTOR, OIL PUMP 0/227.005.0016 (u. 1)
17	● OIL PUMP BODY 0/227.005.0017 (u. 1)
18	● SCREW 2,5X10 0/227.005.0018 (u. 1)
19	● SHAFT, OIL PUMP 0/227.005.0019 (u. 1)
20	● OIL PUMP GEAR ASS. 0/227.005.0020 (u. 1)
21	● CIRCLIP 6 0/227.005.0021 (u. 1)
22	● SCREW M6X30 0/227.005.0022 (u. 2)
23	● OIL PUMP ASSY 0/227.005.0023 (u. 1)

CRAN CASES

**MOTOR 125cc AC**

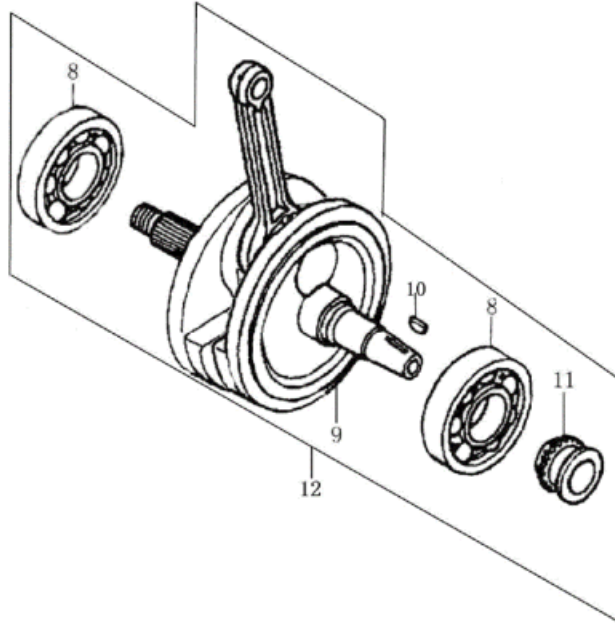
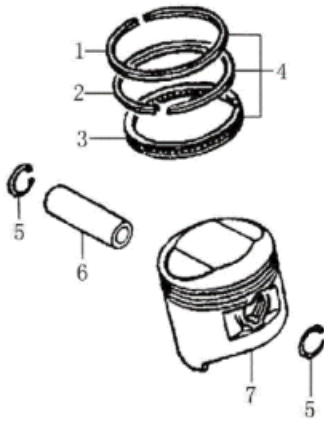


1	<ul style="list-style-type: none"> <li>SCREW M6X60</li> <li>0/227.003.0028 (u. 1)</li> </ul>
2	<ul style="list-style-type: none"> <li>HOLDER, CLIUTCH CABLE</li> <li>0/227.006.0002 (u. 1)</li> </ul>
3	<ul style="list-style-type: none"> <li>CYLINDER STUD BOLT</li> <li>0/227.006.0003 (u. 1)</li> </ul>
4	<ul style="list-style-type: none"> <li>CYLINDER STUD BOLT</li> <li>0/227.006.0004 (u. 1)</li> </ul>
5	<ul style="list-style-type: none"> <li>CLAMP</li> <li>0/227.006.0005 (u. 1)</li> </ul>
6	<ul style="list-style-type: none"> <li>BREATHER PIPE</li> <li>0/227.006.0006 (u. 1)</li> </ul>
7	<ul style="list-style-type: none"> <li>PIPE ASSY</li> <li>0/227.006.0007 (u. 1)</li> </ul>
8	<ul style="list-style-type: none"> <li>RIGHT CRANKCASE BLOCK</li> <li>0/227.006.0008 (u. 1)</li> </ul>
9	<ul style="list-style-type: none"> <li>PIN 10x14</li> <li>0/227.006.0009 (u. 4)</li> </ul>
10	<ul style="list-style-type: none"> <li>CYLINDER STUD BOLT</li> <li>0/227.006.0010 (u. 2)</li> </ul>
11	<ul style="list-style-type: none"> <li>GASKET, CRANKCASE</li> <li>0/227.006.0011 (u. 1)</li> </ul>
12	<ul style="list-style-type: none"> <li>LEFT CRANKCASE BLOCK</li> <li>0/227.006.0012 (u. 1)</li> </ul>
13	<ul style="list-style-type: none"> <li>STRAINER, OIL FILTER</li> <li>0/227.006.0013 (u. 1)</li> </ul>
14	<ul style="list-style-type: none"> <li>SPRING, OIL FILTER STRAINER</li> <li>0/227.006.0014 (u. 1)</li> </ul>

15	<ul style="list-style-type: none"> <li>● O RING 35x3 0/227.001.0005 (u. 1)</li> </ul>
16	<ul style="list-style-type: none"> <li>● COVER, VALVE CHAMBER 0/227.006.0016 (u. 1)</li> </ul>
17	<ul style="list-style-type: none"> <li>● OIL-SEAL 14x28x7 0/227.006.0017 (u. 1)</li> </ul>
18	<ul style="list-style-type: none"> <li>● GEARSHIFT SWITCH PLATE 0/227.006.0018 (u. 1)</li> </ul>
19	<ul style="list-style-type: none"> <li>● GEARSHIFT SWITCH LAMP 0/227.006.0019 (u. 1)</li> </ul>
20	<ul style="list-style-type: none"> <li>● POSITION PLATE 0/227.006.0020 (u. 1)</li> </ul>
21	<ul style="list-style-type: none"> <li>● SCREW M6X12 0/227.006.0021 (u. 1)</li> </ul>
22	<ul style="list-style-type: none"> <li>● SCREW M6X50 0/227.003.0004 (u. 10)</li> </ul>
23	<ul style="list-style-type: none"> <li>● SCREW M12X25 0/227.006.0023 (u. 1)</li> </ul>
24	<ul style="list-style-type: none"> <li>● SCREW M6X32 0/227.006.0024 (u. 2)</li> </ul>
25	<ul style="list-style-type: none"> <li>● BEARING 0/227.003.0020 (u. 1)</li> </ul>
26	<ul style="list-style-type: none"> <li>● BEARING (6204) 0/227.006.0026 (u. 1)</li> </ul>
27	<ul style="list-style-type: none"> <li>● OIL SEAL 20x34x7 0/227.006.0027 (u. 1)</li> </ul>
28	<ul style="list-style-type: none"> <li>● BEARING 15/12 (15X23X12) 0/227.006.0028 (u. 1)</li> </ul>
29	<ul style="list-style-type: none"> <li>● BEARING (6202Z) 0/227.006.0029 (u. 1)</li> </ul>
30	<ul style="list-style-type: none"> <li>● BEARING (6006) 0/227.006.0030 (u. 1)</li> </ul>
31	<ul style="list-style-type: none"> <li>● O RING 11,8X2,65 0/227.006.0031 (u. 1)</li> </ul>

**CRANKSHAFT-PISTON**

**MOTOR 125cc AC**

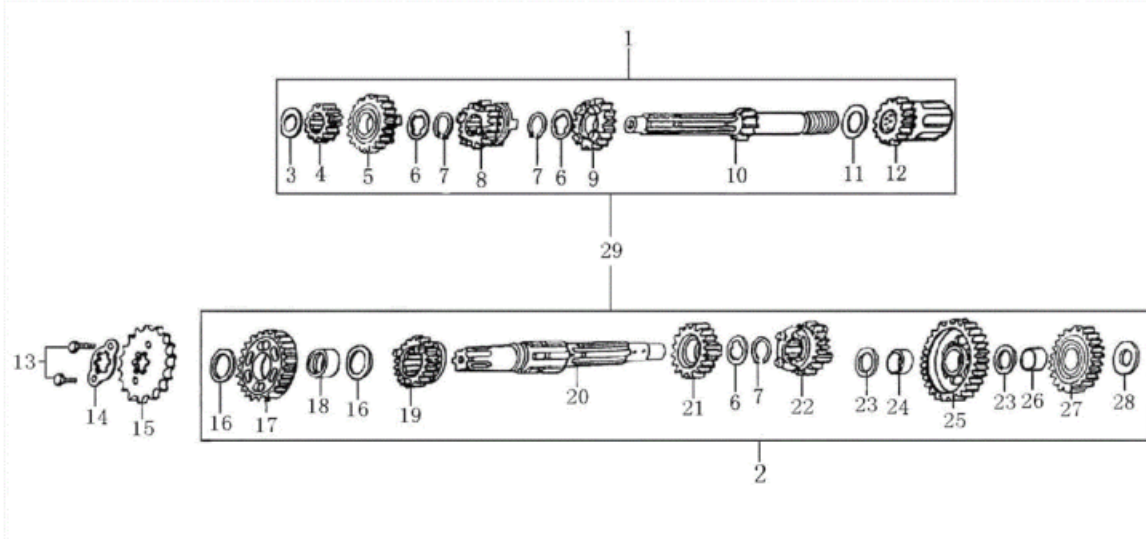


1	● PISTON RING 0/227.007.0001 (u. 1)	
2	● PISTON RING 2 0/227.007.0002 (u. 1)	
3	● OIL RING ASSY 0/227.007.0003 (u. 1)	
4	● PISTON RING COMP 0/227.007.0004 (u. 1)	
5	● CHECK RING, PISTON PIN 0/227.007.0005 (u. 2)	
6	● PIN PISTON 0/227.007.0006 (u. 1)	
7	● PISTON 0/227.007.0007 (u. 1)	
8	● BEARING (63/28/P5) 0/227.007.0008 (u. 2)	
9	● CONNECTING ROD COMP 0/227.007.0009 (u. 1)	
10	● SEMICIRCULAR KEY 0/227.007.0010 (u. 1)	
11	● HUB DUMP CHAIM SPROCKET 0/227.007.0011 (u. 1)	<b>OBSOLETE</b>
12	● CRANKSHAFT CONNECTING-ROD ASSY 0/227.007.0012 (u. 1)	



**GEARS**

**MOTOR 125cc AC**

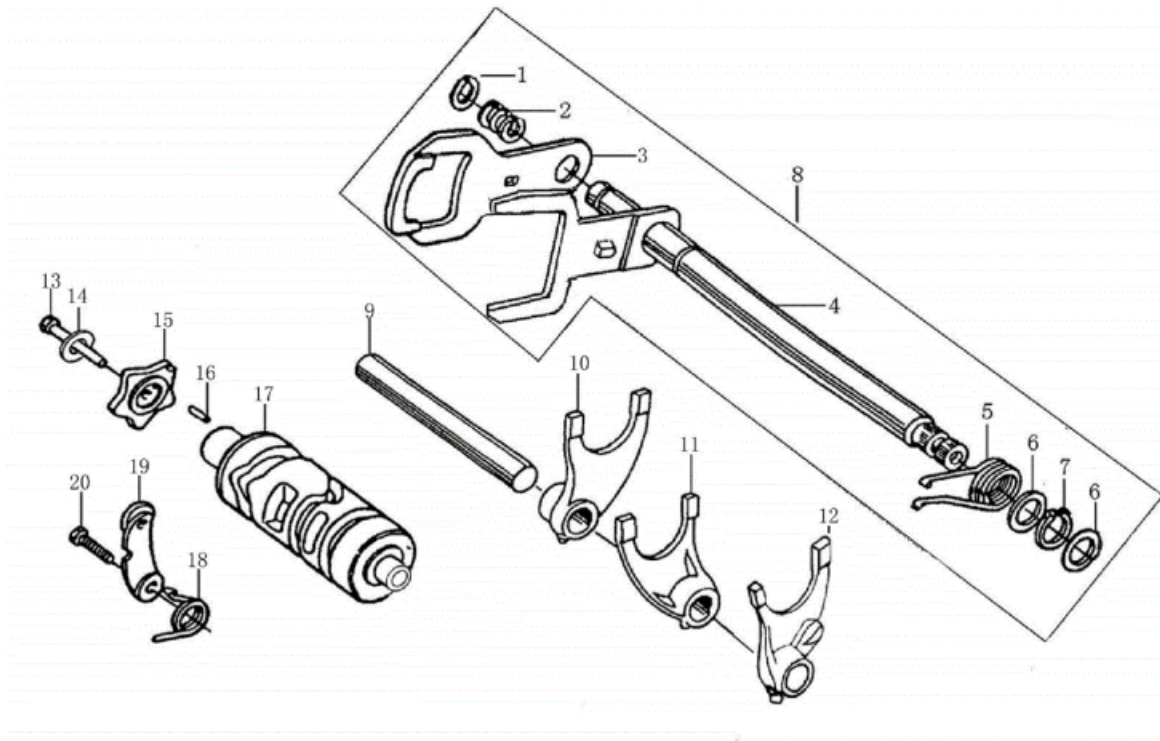


1	<ul style="list-style-type: none"> <li>● MAIN SHAFT, TRANSMISSION 0/227.008.0001 (u. 1)</li> </ul>
2	<ul style="list-style-type: none"> <li>● COUNTERSHAFT TRANSMISSION 0/227.008.0002 (u. 1)</li> </ul>
3	<ul style="list-style-type: none"> <li>● WASHER 15,2X1,25 0/227.008.0003 (u. 1)</li> </ul>
4	<ul style="list-style-type: none"> <li>● GEAR M-2 0/227.008.0004 (u. 1)</li> </ul>
5	<ul style="list-style-type: none"> <li>● GEAR M-5 0/227.008.0005 (u. 1)</li> </ul>
6	<ul style="list-style-type: none"> <li>● WASHER 0/227.008.0006 (u. 3)</li> </ul>
7	<ul style="list-style-type: none"> <li>● CIRCLIP 20 0/227.008.0007 (u. 3)</li> </ul>
8	<ul style="list-style-type: none"> <li>● GEAR M-4 0/227.008.0008 (u. 1)</li> </ul>
9	<ul style="list-style-type: none"> <li>● GEAR M-3 0/227.008.0009 (u. 1)</li> </ul>
10	<ul style="list-style-type: none"> <li>● TRANSMISSION MAIN SHAFT 0/227.008.0010 (u. 1)</li> </ul>
11	<ul style="list-style-type: none"> <li>● WISHER 20,2X0,5X27 0/227.008.0011 (u. 1)</li> </ul>
12	<ul style="list-style-type: none"> <li>● FINAL SHAFT 0/227.008.0012 (u. 1)</li> </ul>
13	<ul style="list-style-type: none"> <li>● SCREW M6X10 0/227.002.0014 (u. 2)</li> </ul>
14	<ul style="list-style-type: none"> <li>● FIXING PLATE, DRIVE SPROCKET 0/227.008.0014 (u. 1)</li> </ul>

15	<ul style="list-style-type: none"> <li>● DRIVE SPROCKET 0/227.008.0030 (u. 1)</li> </ul>
	<ul style="list-style-type: none"> <li>● FIXING PLATE, DRIVE SPROCKET 0/227.008.0015 (u. 1)</li> </ul>
16	<ul style="list-style-type: none"> <li>● WASHER 20,2X1,0X27 0/227.008.0016 (u. 2)</li> </ul>
17	<ul style="list-style-type: none"> <li>● GEAR C-2 0/227.008.0017 (u. 1)</li> </ul>
18	<ul style="list-style-type: none"> <li>● GEAR BUSH 0/227.008.0018 (u. 1)</li> </ul>
19	<ul style="list-style-type: none"> <li>● GEAR C-5 0/227.008.0019 (u. 1)</li> </ul>
20	<ul style="list-style-type: none"> <li>● TRANSMISSION COUNTER SHAFT 0/227.008.0020 (u. 1)</li> </ul>
21	<ul style="list-style-type: none"> <li>● GEAR C-4 0/227.008.0021 (u. 1)</li> </ul>
22	<ul style="list-style-type: none"> <li>● GEAR C-3 0/227.008.0022 (u. 1)</li> </ul>
23	<ul style="list-style-type: none"> <li>● WASHER 16,7X0,5X24 0/227.008.0023 (u. 2)</li> </ul>
24	<ul style="list-style-type: none"> <li>● GEAR BUSH 0/227.008.0024 (u. 1)</li> </ul>
25	<ul style="list-style-type: none"> <li>● GEAR C-1 0/227.008.0025 (u. 1)</li> </ul>
26	<ul style="list-style-type: none"> <li>● GEAR BUSH 0/227.008.0026 (u. 1)</li> </ul>
27	<ul style="list-style-type: none"> <li>● GEAR 0/227.008.0027 (u. 1)</li> </ul>
28	<ul style="list-style-type: none"> <li>● WASHER 15,2X1,30 0/227.008.0028 (u. 1)</li> </ul>
29	<ul style="list-style-type: none"> <li>● TRANSMISSION MAIN, COUNTER SHAFT 0/227.008.0029 (u. 1)</li> </ul>

**PRE-SELECTOR GEAR**

**MOTOR 125cc AC**

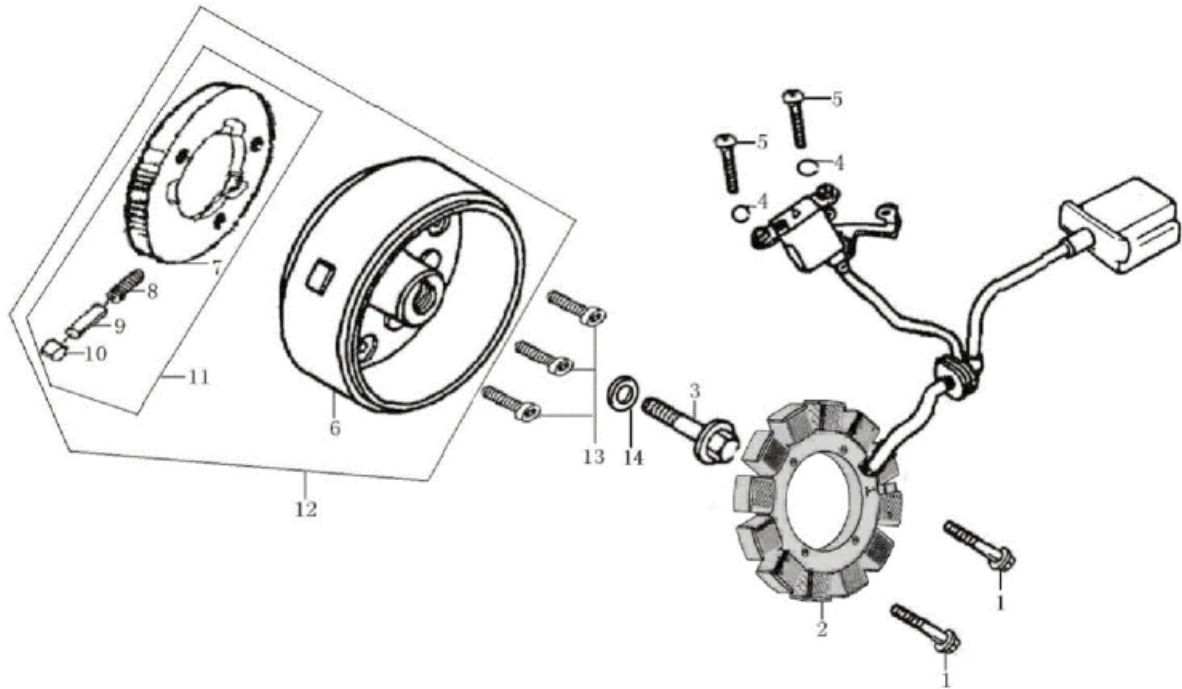


1	<ul style="list-style-type: none"> <li>CIRCLIP 12</li> <li>0/227.009.0001 (u. 1)</li> </ul>
2	<ul style="list-style-type: none"> <li>SPRING, GEARSHIFT PLATE</li> <li>0/227.009.0002 (u. 1)</li> </ul>
3	<ul style="list-style-type: none"> <li>GEARSHIFT PLATE</li> <li>0/227.009.0003 (u. 1)</li> </ul>
4	<ul style="list-style-type: none"> <li>GEARSHIFT SHAFT COMP</li> <li>0/227.009.0004 (u. 1)</li> </ul>
5	<ul style="list-style-type: none"> <li>RETURN SPRING</li> <li>0/227.009.0005 (u. 1)</li> </ul>
6	<ul style="list-style-type: none"> <li>WASHER 14X05X20</li> <li>0/227.009.0006 (u. 2)</li> </ul>
7	<ul style="list-style-type: none"> <li>CIRCLIP 14</li> <li>0/227.009.0007 (u. 1)</li> </ul>
8	<ul style="list-style-type: none"> <li>GEARSHIFT LEVER COMP</li> <li>0/227.009.0008 (u. 1)</li> </ul>
9	<ul style="list-style-type: none"> <li>SHAFT, GEARSHIFT FORK</li> <li>0/227.009.0009 (u. 1)</li> </ul>
10	<ul style="list-style-type: none"> <li>RIGHT FORK, COUNTERSHFT</li> <li>0/227.009.0010 (u. 1)</li> </ul>
11	<ul style="list-style-type: none"> <li>CENTER FORK, MANISHAFT</li> <li>0/227.009.0011 (u. 1)</li> </ul>
12	<ul style="list-style-type: none"> <li>LEFT FORK, COUNTERSHAFT</li> <li>0/227.009.0012 (u. 1)</li> </ul>
13	<ul style="list-style-type: none"> <li>SCREW M6X25</li> <li>0/227.009.0013 (u. 1)</li> </ul>
14	<ul style="list-style-type: none"> <li>WISHER ø 6</li> <li>0/227.009.0014 (u. 1)</li> </ul>

15	● STOPPING PLATE 0/227.009.0015 (u. 1)	OBSOLETE
16	● SCREW 4x10 0/227.009.0016 (u. 1)	
17	● GEARSHIFT DRUM 0/227.009.0017 (u. 1)	
18	● SPRING, LOCATING PLATE 0/227.009.0018 (u. 1)	
19	● LOCATING PLATE ASSY 0/227.009.0019 (u. 1)	
20	● BOLT FIXING PLATE 0/227.009.0020 (u. 1)	

## MAGNETIC FLYWHEEL

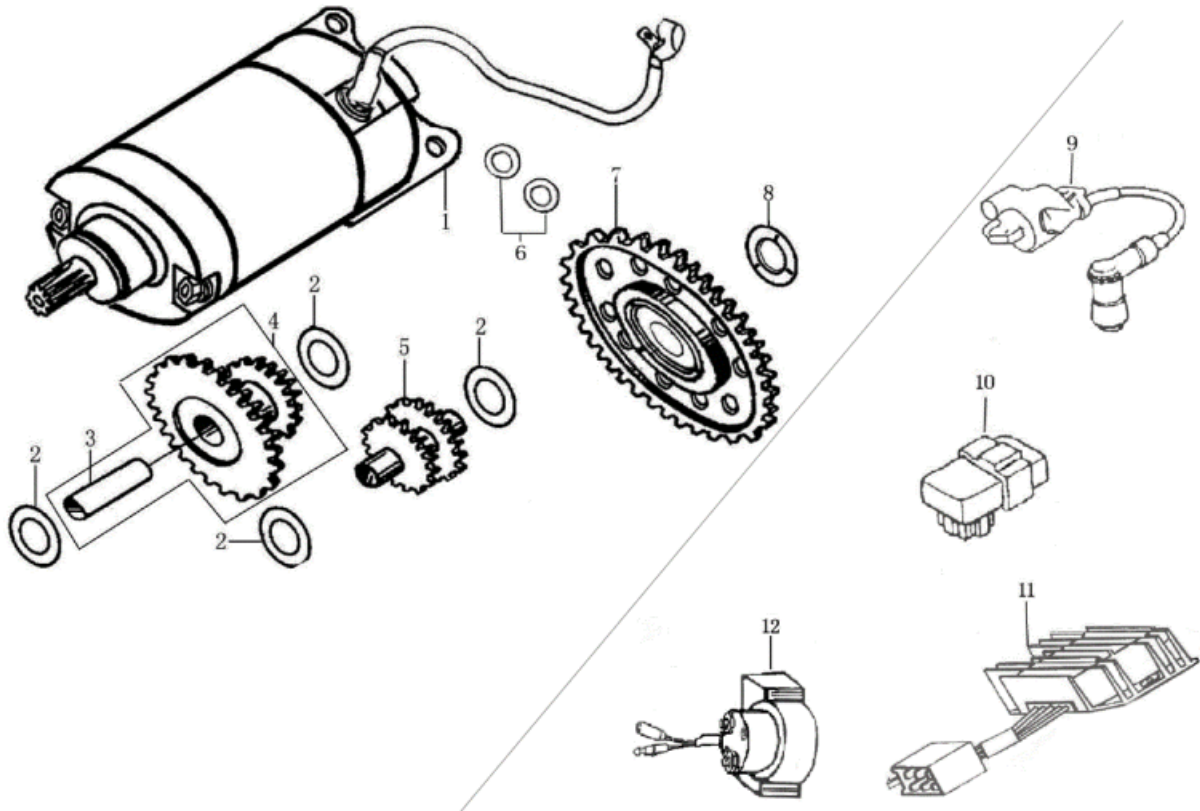
## MOTOR 125cc AC



1	<ul style="list-style-type: none"> <li>● SCREW M6X28</li> <li>0/227.010.0001 (u. 2)</li> </ul>
2	<ul style="list-style-type: none"> <li>● BASE STATOR scn_r</li> <li>0/227.010.0015 (u. 1)</li> </ul>
3	<ul style="list-style-type: none"> <li>● SCREW M8X33</li> <li>0/227.010.0003 (u. 1)</li> </ul>
4	<ul style="list-style-type: none"> <li>● WASHER ø 4</li> <li>0/227.010.0004 (u. 2)</li> </ul>
5	<ul style="list-style-type: none"> <li>● SCREW M4X10</li> <li>0/227.010.0005 (u. 2)</li> </ul>
6	<ul style="list-style-type: none"> <li>● ROTOR ASSY, MAGNETO</li> <li>0/227.010.0006 (u. 1)</li> </ul>
7	<ul style="list-style-type: none"> <li>● ASSEMBLY, SPIDER</li> <li>0/227.010.0007 (u. 1)</li> </ul>
8	<ul style="list-style-type: none"> <li>● SPRING</li> <li>0/227.010.0008 (u. 3)</li> </ul>
9	<ul style="list-style-type: none"> <li>● CONE BILOCKAGE</li> <li>0/227.010.0009 (u. 3)</li> </ul>
10	<ul style="list-style-type: none"> <li>● CLUTCH ROLLER</li> <li>0/227.010.0010 (u. 3)</li> </ul>
11	<ul style="list-style-type: none"> <li>● OVERRUNNING CLUTCH</li> <li>0/227.010.0011 (u. 1)</li> </ul>
12	<ul style="list-style-type: none"> <li>● ROTOR ASS'Y / MAGNETO</li> <li>0/227.010.0012 (u. 1)</li> </ul>
13	<ul style="list-style-type: none"> <li>● SCREW M8X18</li> <li>0/227.010.0013 (u. 3)</li> </ul>
14	<ul style="list-style-type: none"> <li>● WASHER 8,5X3,2X2,3</li> <li>0/227.010.0014 (u. 1)</li> </ul>

ARRANQUE - REGULADOR DE CORRIENTE - CDI

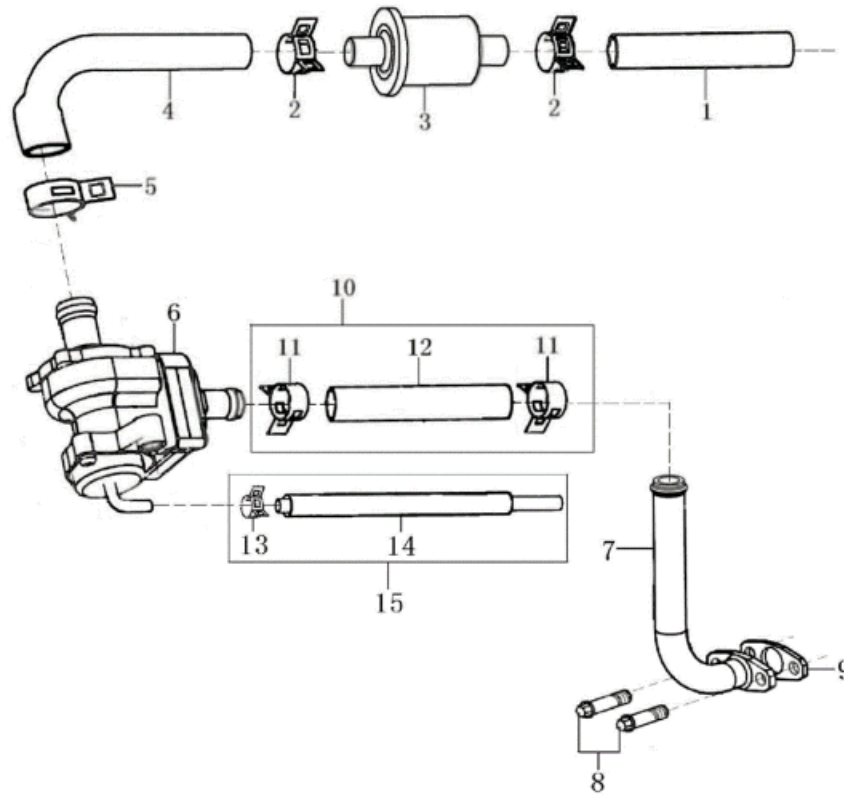
**MOTOR 125cc AC**



1	<ul style="list-style-type: none"> <li>STARTER MOTOR ASS'Y</li> <li>0/227.011.0001 (u. 1)</li> </ul>
2	<ul style="list-style-type: none"> <li>WASHER 10,5X0,5X18</li> <li>0/227.011.0002 (u. 4)</li> </ul>
3	<ul style="list-style-type: none"> <li>SHAFT, REDUCTION</li> <li>0/227.011.0003 (u. 1)</li> </ul>
4	<ul style="list-style-type: none"> <li>GEAR, REDUCTION</li> <li>0/227.011.0004 (u. 1)</li> </ul>
5	<ul style="list-style-type: none"> <li>GEAR, REDUCTION 2</li> <li>0/227.011.0005 (u. 1)</li> </ul>
6	<ul style="list-style-type: none"> <li>WASHER</li> <li>0/227.011.0006 (u. 2)</li> </ul>
7	<ul style="list-style-type: none"> <li>PLATE GEAR ASSY</li> <li>0/227.011.0007 (u. 1)</li> </ul>
8	<ul style="list-style-type: none"> <li>WASHER 20X3,5X32</li> <li>0/227.011.0008 (u. 1)</li> </ul>
9	<ul style="list-style-type: none"> <li>OUTER COIL</li> <li>0/227.012.0001 (u. 1)</li> </ul>
10	<ul style="list-style-type: none"> <li>C.D.I.</li> <li>0/227.012.0002 (u. 1)</li> </ul>
11	<ul style="list-style-type: none"> <li>REGULATOR</li> <li>0/227.012.0003 (u. 1)</li> </ul>
12	<ul style="list-style-type: none"> <li>STARTER RELAY</li> <li>0/227.012.0004 (u. 1)</li> </ul>

VÁLVULA AIS

**MOTOR 125cc AC**



1	●	CONNECTING PIPE 0/227.013.0001 (u. 1)
2	●	HOOP 0/227.013.0002 (u. 2)
3	●	VALV FILTER 0/227.013.0003 (u. 1)
4	●	CONNECTING PIPE 0/227.013.0004 (u. 1)
5	●	HOOP 0/227.013.0005 (u. 1)
6	●	GAS PUMP 0/227.013.0006 (u. 1)
7	●	IRON PIPE 0/227.013.0007 (u. 1)
8	●	SCREW M6X16 0/227.013.0008 (u. 2)
9	●	PAPER GASKET 0/227.013.0009 (u. 1)
10	●	RUBBER PIPE 0/227.013.0010 (u. 1)
11	●	CLAMP 0/227.006.0005 (u. 2)
12	●	RUBBER PIPE 0/227.013.0012 (u. 1)
13	●	CLAMP 0/227.013.0013 (u. 1)
14	●	RUBBER PIPE 0/227.013.0014 (u. 1)

15

- RUBBER PIPE  
0/227.013.0015 (u. 1)