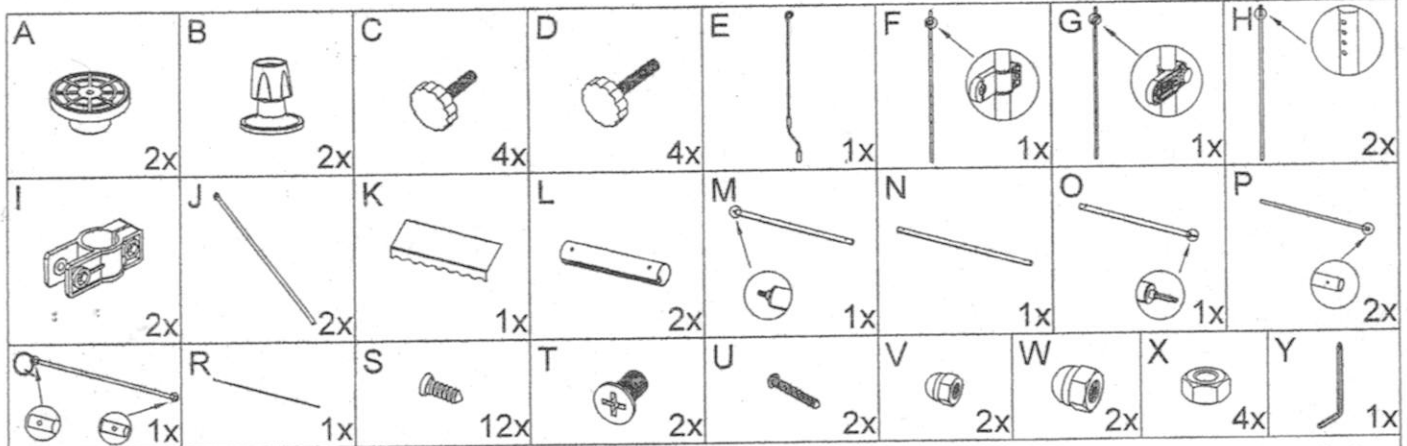


# KLEMMMARKISE WESTERLY

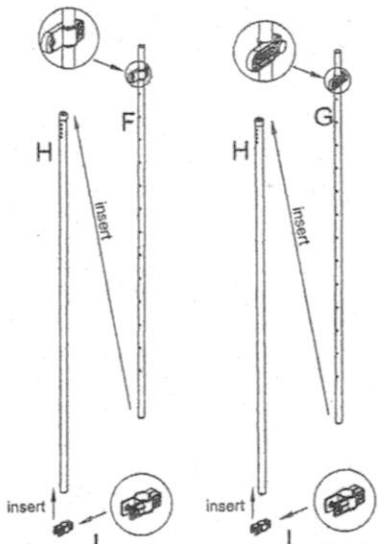
## INSTRUCTION MANUAL

vertical sunshade(350/400CM)

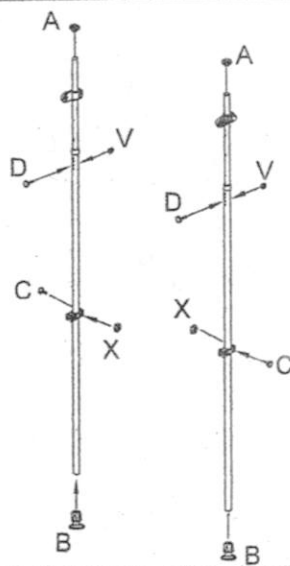


From step 1 to 7, the product can be installed on the ground, and from step 8 to 9, it should be installed vertically to the ceiling by adjusting the height of F,G and rotating the upper part of B.

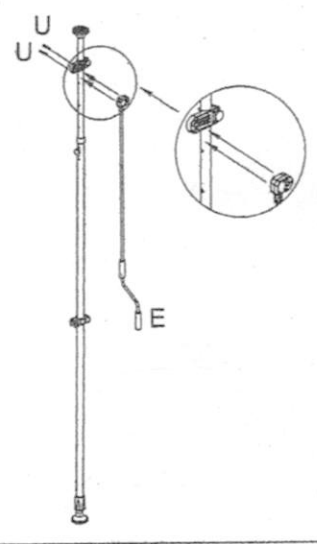
step1



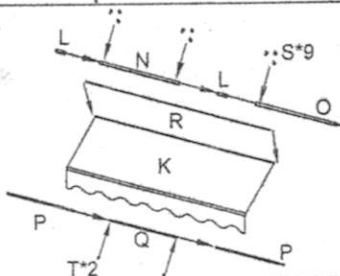
step2



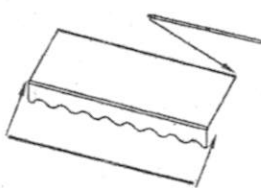
step3



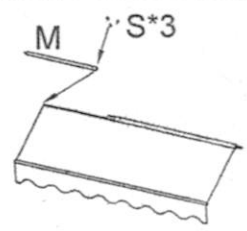
step4



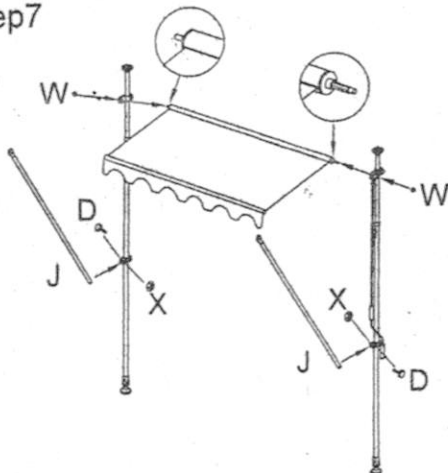
step5



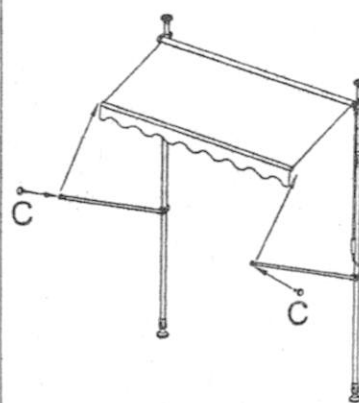
step6



step7



step8



step9

