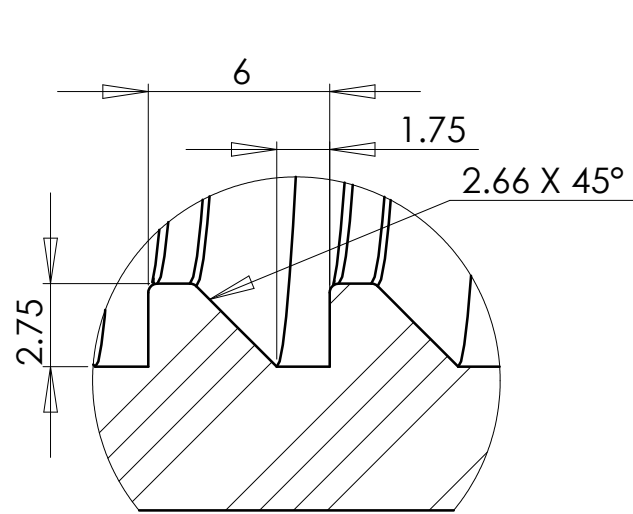
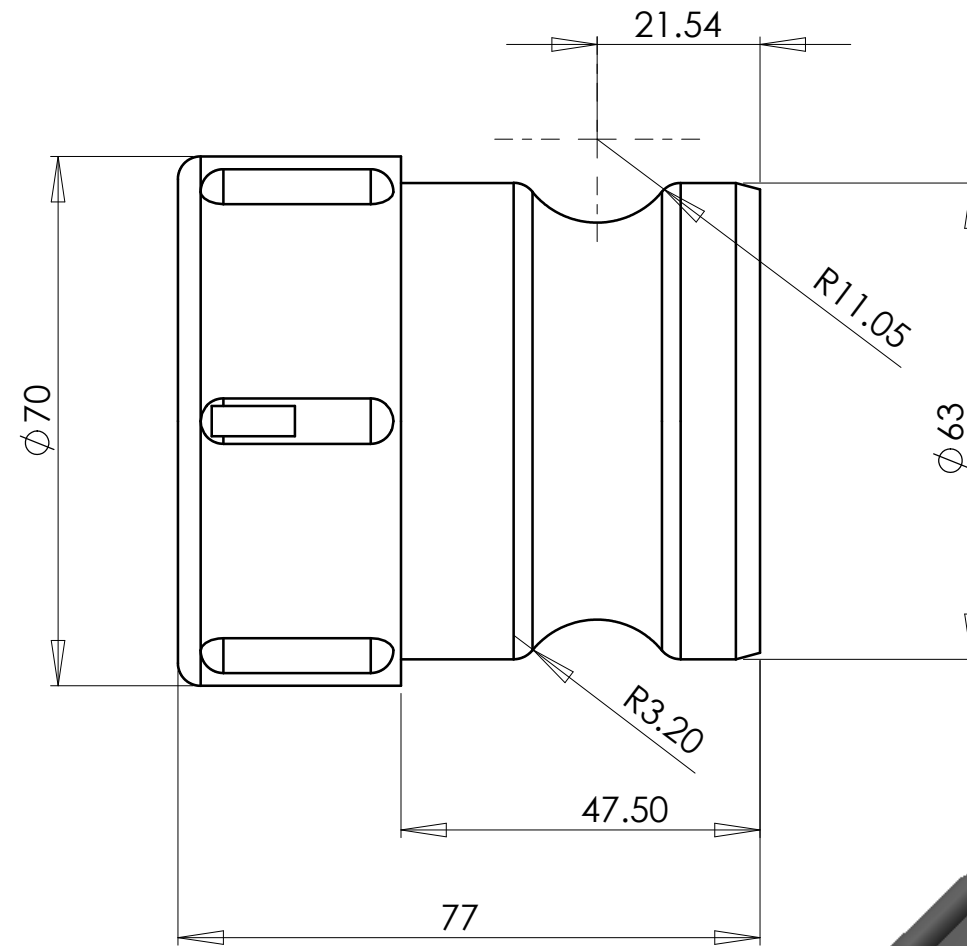
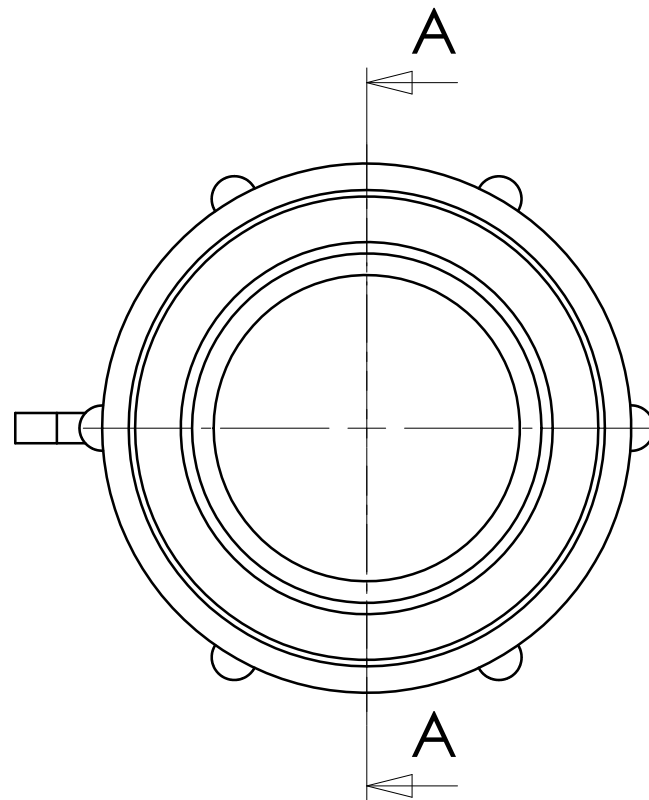
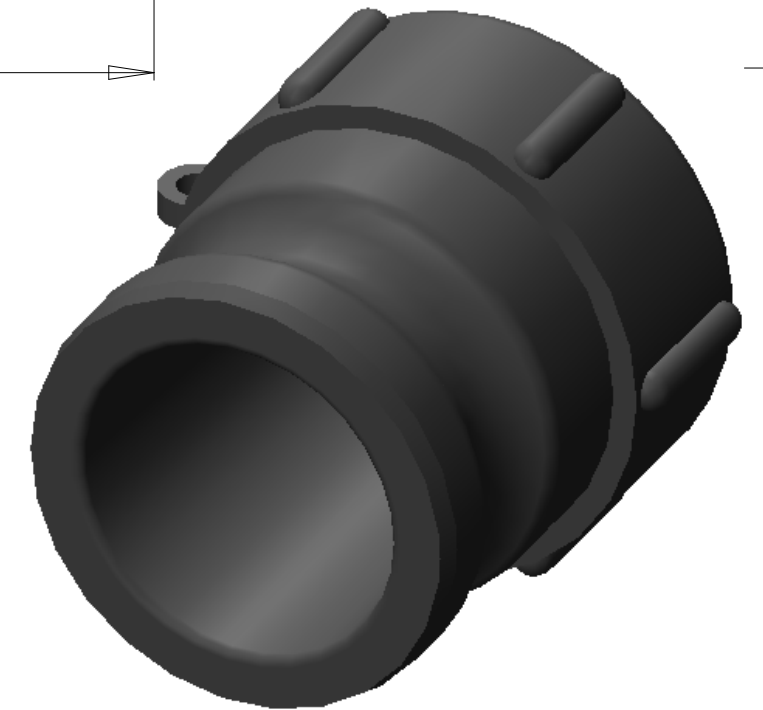
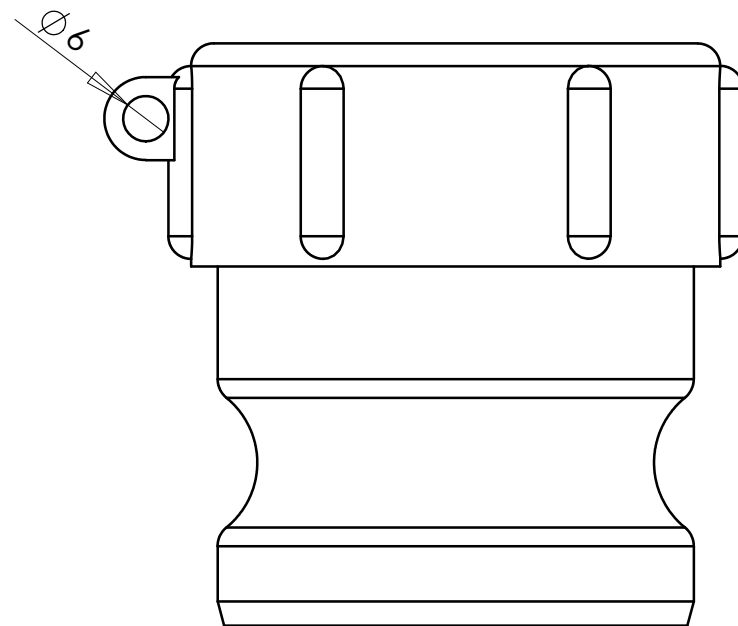


SECTION A-A



DETAIL B
SCALE 4 : 1



UNLESS OTHERWISE SPECIFIED: DIMENSIONS ARE IN MILLIMETERS				FINISH:		DEBUR AND BREAK SHARP EDGES		DO NOT SCALE DRAWING		REVISION 2	
SURFACE FINISH:								CPP-LM .com			
TOLERANCES:											
LINEAR:								TITLE: 2" PART 'A', 2" CAMLOCK X S60X6 FEMALE C/W SEAL			
ANGULAR:											
DRAWN		NAME		SIGNATURE		DATE		MATERIAL:		DWG NO.	
CHK'D		JULIAN TROUGHT				AUG 2005		POLYPROPYLENE		CMA-20UD-027	
APPV'D								WEIGHT:		SCALE:1:1	
MFG										SHEET 1 OF 1	
Q.A										A3	