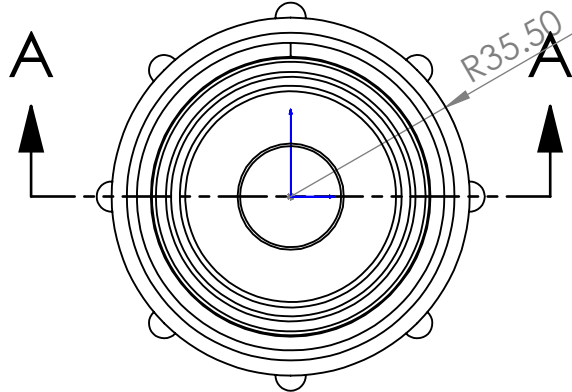
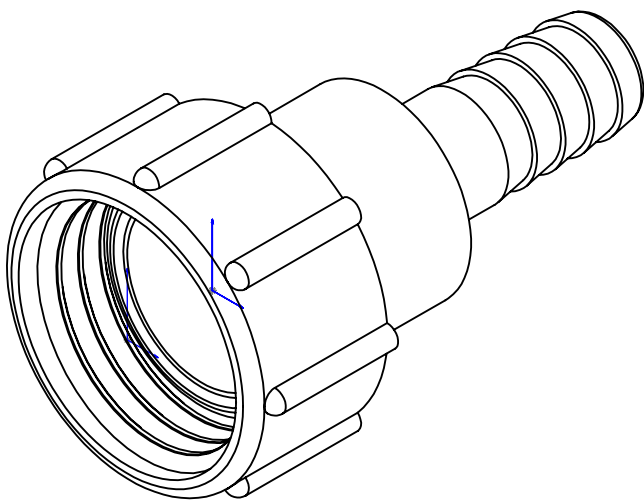
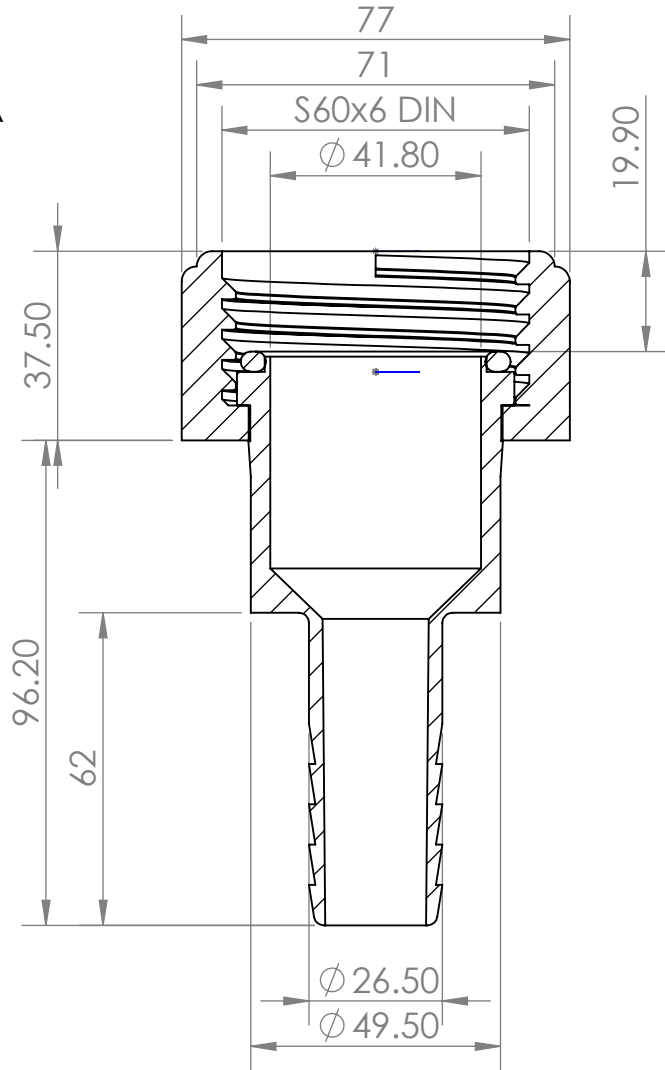



SECTION A-A



TOLERANCES UNLESS OTHERWISE STATED: X ±0.2 ANGLE ±0.5° X.X ±0.1 HOLE +0.1 -0.0 X.XX ±0.05 X.XXX ±0.005		INIT.	DATE	DO NOT SCALE DRAWING	
THIRD ANGLE PROJECTION		DRAWN BY	SY	22/01/2018	 CPP-LM LTD 38 SWAISLAND DRIVE CRAYFORD KENT DA1 4HS TEL: 01322 551940 WWW.CPP-LM.COM
		CHECKED BY		22/01/2018	
		APPROVED BY	JT	22/01/2018	
MATERIAL:	PP20GC	PROJECT NO:	IBC Adapters		DESCRIPTION:
FINISH:		REVISION:	01		S60X60 DIN Swivelling Female - 1" Hose Tail
		WEIGHT: g			PART NO:
ALL DIMS IN MM UNLESS OTHERWISE STATED				SCALE: 2:3	HFUD-21T-027
				SHEET 1 OF 1	