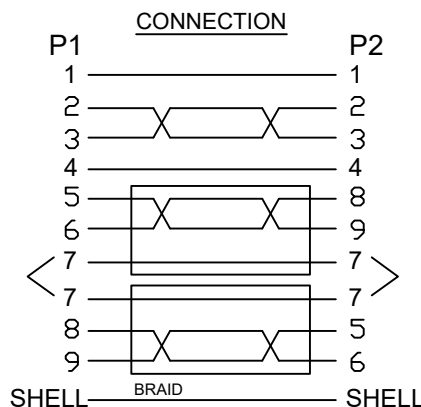
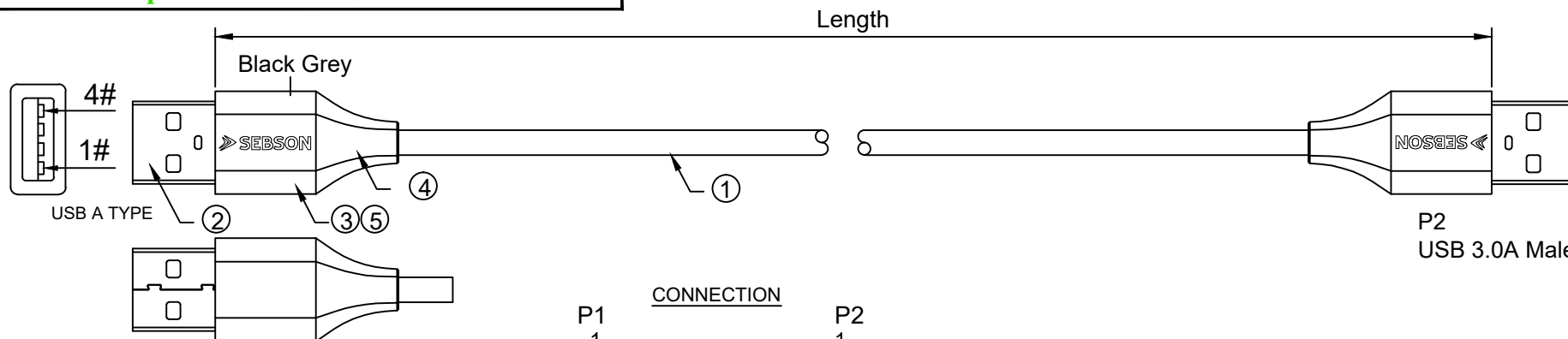




THESE DRAWINGS AND SPECIFICATIONS ARE THE PROPERTY OF **SEBSON** AND SHALL NOT BE REPRODUCED COPIED OR USED IN ANY MANNER WITHOUT THE PRIOR WRITTEN CONSENT OF **SEBSON**

RoHS Compliant •

| REV. | REVISED DESCRIPTION | DATE | CHECKED |
|------|---------------------|------------|---------|
| A0 | FIRST RELEASE | 2021/02/27 | |

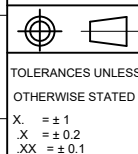


Remark:

1. 100% Open/Short Test
2. Conductive Resistance: 5ohms MAX
3. Insulation Resistance: 5M ohm MIN.
4. The product is Reach/RoHS compliant.

| Item No. | Length(m) | PKS | Remarks |
|--------------|-----------|-----|---------|
| USB3_AA_1M_A | 1.0m | 1 | Cable 1 |
| USB3_AA_2M_A | 2.0m | 1 | Cable 1 |
| USB3_AA_3M_A | 3.0m | 1 | Cable 1 |
| USB3_AA_5M_A | 5.0m | 1 | Cable 2 |

| ITEM | DESCRIPTIONS & SPECIFICATIONS | QTY | REMARK |
|------|-------------------------------|---------|--------|
| ⑤ | Shell | 2PCS | |
| ④ | External Mold | | |
| ③ | Inernal Mold | | |
| ② | Connector | 2PCS | |
| ① | Cable-2 | Cable 2 | |
| | Cable-1 | Cable 1 | |



SEBSON address: Gernotstrasse 17
44319 Dortmund Germany

| | | | |
|---------------|------------------|----------------|------------|
| ERP NO.: | | SAMPLE DWG NO: | |
| ZG No.: | | REVISION | A0 |
| CUSTOMER: | | UNIT | mm |
| CUSTOMER P/N: | | SCALE | NO |
| DESCRIPTION | USB 3.0 AM to AM | PAGE NO | 1/1 |
| | | DATE | 2021/02/27 |
| APPROVAL | CHECKED | DRAWN | |

Autodesk

Autodesk