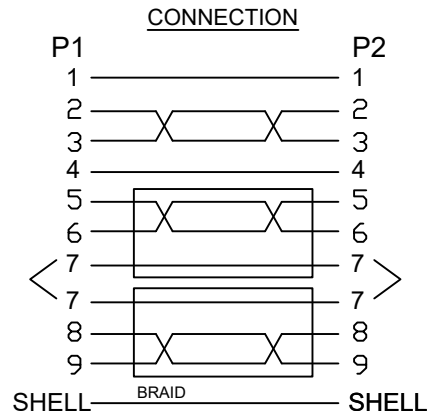
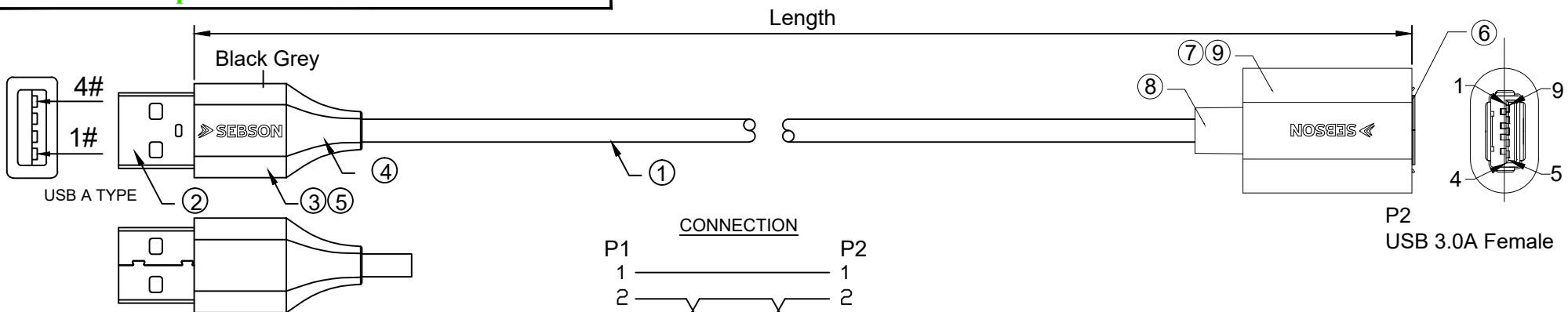




THESE DRAWINGS AND SPECIFICATIONS ARE THE PROPERTY OF **SEBSON** AND SHALL NOT BE REPRODUCED COPIED OR USED IN ANY MANNER WITHOUT THE PRIOR WRITTEN CONSENT OF **SEBSON**

RoHS Compliant

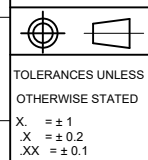
REV.	REVISED DESCRIPTION	DATE	CHECKED
A0	FIRST RELEASE	2021/02/27	



- Remark:**
- 100% Open/Short Test
 - Conductive Resistance: 5ohms MAX
 - Insulation Resistance: 5M ohm MIN.
 - The product is Reach/RoHS compliant.

Item No.	Length(m)	PKS	Remarks
USB3_1M1F_AA_1M_A	1.0m	1	Cable 1
USB3_1M1F_AA_2M_A	2.0m	1	Cable 1
USB3_1M1F_AA_3M_A	3.0m	1	Cable 1
USB3_1M1F_AA_5M_A	5.0m	1	Cable 2

ITEM	DESCRIPTIONS & SPECIFICATIONS	QTY	REMARK
⑨	Shell	Al Shell, Black, "SEBSON" logo	1PC
⑧	External Mold	Outer Mould 35P PVC, Black	
⑦	Inernal Mold	Inner Mould, PE	
⑥	Connector	USB 3.0 A Female, Gold-Plated	1PC
⑤	Shell	Al Shell, Black, "SEBSON" logo	1PC
④	External Mold	Outer Mould 35P PVC, Black	
③	Inernal Mold	Inner Mould, PE	
②	Connector	USB 3.0 A Male, Gold-Plated	1PC
①	Cable-2	USB3.0 Cable [(7/0.16BC+0.90FPE)*1P+D (7/0.12BC) +AL+ML]*2C+ (7/0.12BC+0.72HDPE)*1P + (7/0.20BC +HDPE)*2C (Red/Black) +AL + D +80/0.12AL+OD5.5PVC Black	Cable 2
	Cable-1	USB3.0 Cable [(7/0.127BC+0.90FPE)*1P+D (7/0.10BC) +AL+ML]*2C+ (7/0.12BC+0.72HDPE)*1P + (7/0.20BC +HDPE)*2C (Red/Black) +AL + D +80/0.12AL+OD5.2PVC Black	Cable 1



SEBSON SEBSON address: Gernotstrasse 17
44319 Dortmund Germany

ERP NO.:		SAMPLE DWG NO.:	
ZG No.:		REVISION	A0
CUSTOMER:		UNIT	mm
CUSTOMER P/N:		SCALE	NO
DESCRIPTION	USB 3.0 AM to AF	PAGE NO	1/1
		DATE	2021/02/27
APPROVAL	CHECKED	DRAWN	

Autodesk

Autodesk