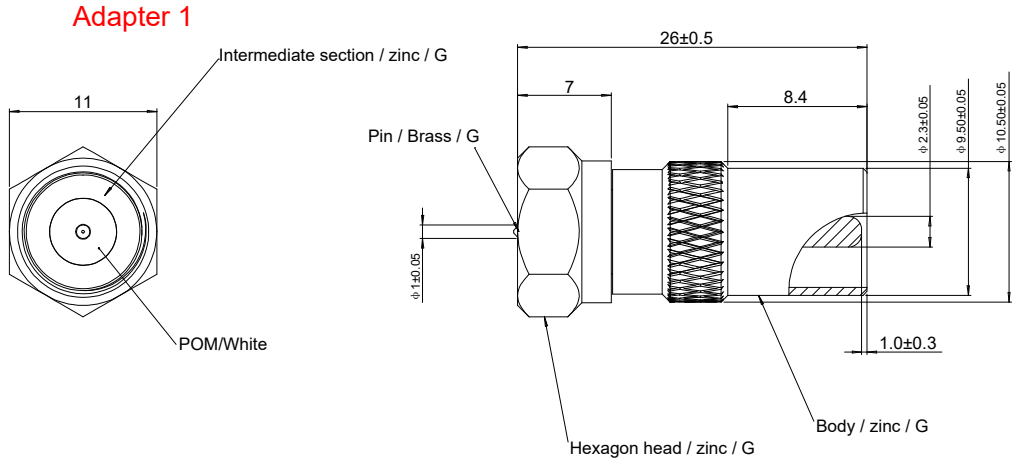


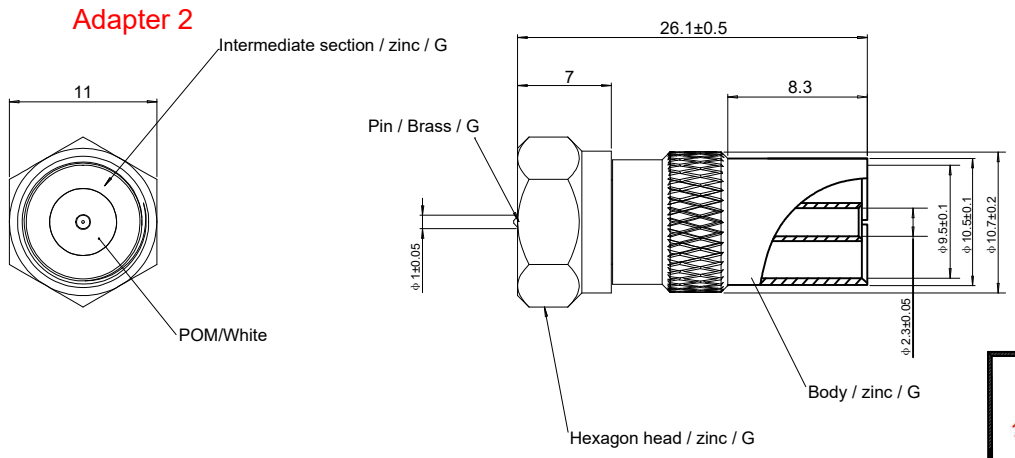
⚠ THESE DRAWINGS AND SPECIFICATIONS ARE THE PROPERTY OF **SEBSON** AND SHALL NOT BE REPRODUCED COPIED OR USED IN ANY MANNER WITHOUT THE PRIOR WRITTEN CONSENT OF **SEBSON**  
**RoHS Compliant**

REV.	REVISED DESCRIPTION	DATE	CHECKED
A0	FIRST RELEASE	2020/09/23	



Remark:  
 1. 100% Open/Short Test  
 2. The product is Reach/RoHS compliant.

Item NO.	PK
AD_KOAX_A	2 (AD1x1+AD2x1)
AD_KOAX_B	4 (AD1x2+AD2x2)



**SEBSON** address: Gernotstrasse 17  
 44319 Dortmund Germany

ERP NO.:		SAMPLE DWG NO.:	
CUSTOMER:		REVISION	A0
CUSTOMER P/N:		UNIT	mm
DESCRIPTION	F Male to 9.5 Male Adapter + F Male to 9.5 Female Adapter	SCALE	NO
		PAGE NO	1/1
APPROVAL	CHECKED	DATE	2020/09/23
		DRAWN	

ITEM	DESCRIPTIONS & SPECIFICATIONS	QTY	REMARK
②	Adapter 2 F Male to IEC 9.5 Female Adapter, Gold-plated		
①	Adapter 1 F Male to IEC 9.5 Male Adapter, Gold-plated		

TOLERANCES UNLESS OTHERWISE STATED  
 X. = ±1  
 .X. = ±0.2  
 .XX = ±0.1