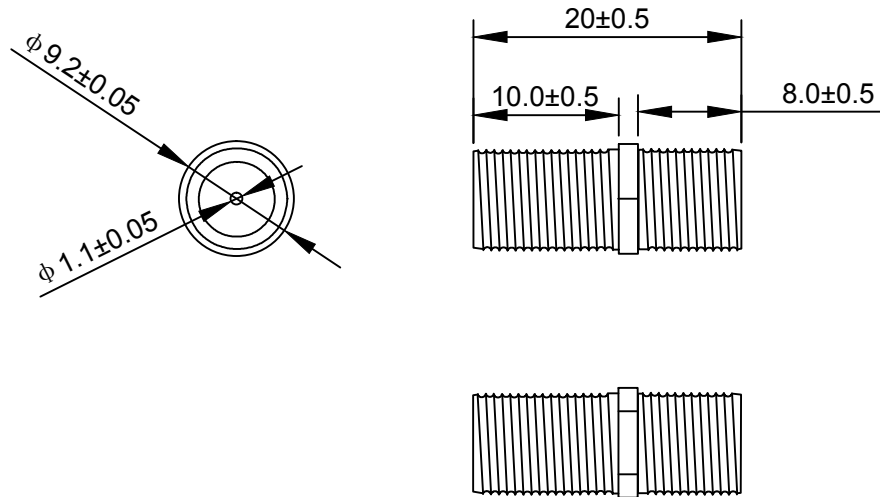




THESE DRAWINGS AND SPECIFICATIONS ARE THE PROPERTY OF SEBSON AND SHALL NOT BE REPRODUCED COPIED OR USED IN ANY MANNER WITHOUT THE PRIOR WRITTEN CONSENT OF SEBSON

RoHS CompliantU

REV.	REVISED DESCRIPTION	DATE	CHECKED
A0	FIRST RELEASE	2021/05/22	



Remark:

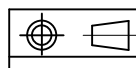
- 1.100% Open/Short Test
- 2.The product is Reach/RoHS compliant.

Item NO.	PK
AD_KOAX_Q	2
AD_KOAX_R	4



**SEBSON address: Gernotstrasse 17
44319 Dortmund Germany**

ERP NO.:		SAMPLE DWG NO.:	
ZONG No.:		REVISION	A0
CUSTOMER:		UNIT	mm
CUSTOMER P/N:		SCALE	NO
DESCRIPTION	F Female to F Female Adapter	PAGE NO	1/1
		DATE	2021/05/22
APPROVAL		CHECKED	
DRAWN			



TOLERANCES UNLESS OTHERWISE STATED

X. = ± 1
.X = ± 0.2
.XX = ± 0.1

①	Adapter 1	F Female to F Female Adapter,Gold-plated		
ITEM	DESCRIPTIONS & SPECIFICATIONS		QTY	REMARK