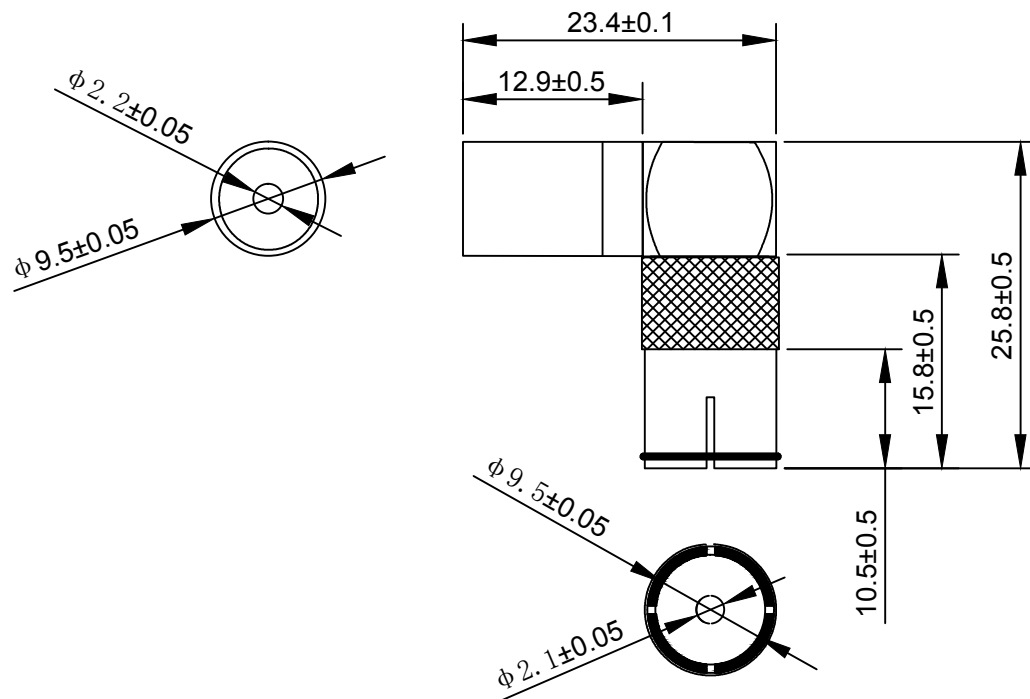




THESE DRAWINGS AND SPECIFICATIONS ARE THE PROPERTY OF SEBSON AND SHALL NOT BE REPRODUCED COPIED OR USED IN ANY MANNER WITHOUT THE PRIOR WRITTEN CONSENT OF SEBSON

RoHS CompliantU

REV.	REVISED DESCRIPTION	DATE	CHECKED
A0	FIRST RELEASE	2021/05/22	



Remark:

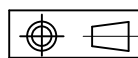
- 1.100% Open/Short Test
- 2.The product is Reach/RoHS compliant.

Item NO.	PK
AD_KOAX_M	2
AD_KOAX_N	4



**SEBSON address: Gernotstrasse 17
44319 Dortmund Germany**

ERP NO.:		SAMPLE DWG NO.:	
ZONG No.:		REVISION	A0
CUSTOMER:		UNIT	mm
CUSTOMER P/N:		SCALE	NO
DESCRIPTION	9.5 Male to 9.5 Female Right Angled Adapter	PAGE NO	1/1
		DATE	2021/05/22
APPROVAL		CHECKED	
		DRAWN	



TOLERANCES UNLESS OTHERWISE STATED

X. = ± 1
.X = ± 0.2
.XX = ± 0.1

①	Adapter 1	9.5 Male to 9.5 Female Right Angled Adapter,Gold-plated	QTY	REMARK
ITEM	DESCRIPTIONS & SPECIFICATIONS			