



THESE DRAWINGS AND SPECIFICATIONS ARE THE PROPERTY OF **SEBSON** AND SHALL NOT BE REPRODUCED COPIED OR USED IN ANY MANNER WITHOUT THE PRIOR WRITTEN CONSENT OF **SEBSON**

**RoHS Compliant**

| REV. | REVISED DESCRIPTION | DATE       | CHECKED |
|------|---------------------|------------|---------|
| A0   | FIRST RELEASE       | 2021/05/19 |         |

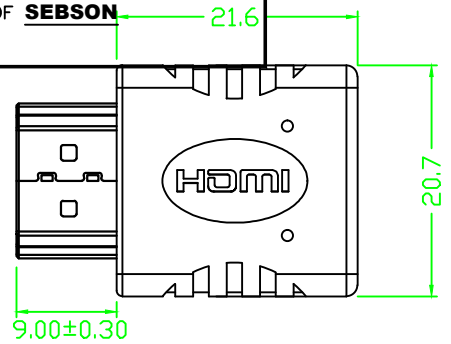
Remark:

- 100% Open/Short Test
- The product is Reach/RoHS compliant.

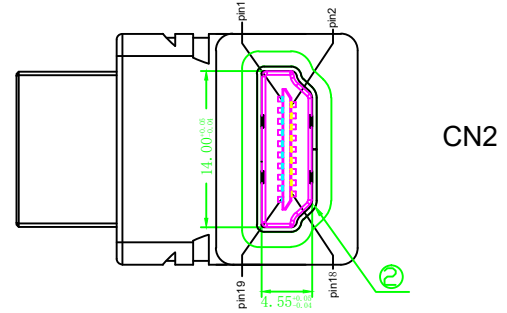
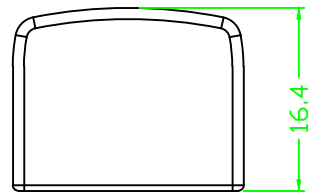
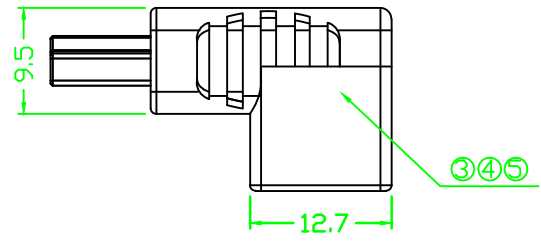
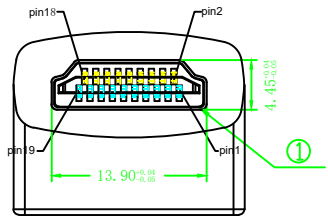
**CONNECTION**

| CN1   | CN2   |
|-------|-------|
| 01    | 01    |
| 02    | 02    |
| 03    | 03    |
| 04    | 04    |
| 05    | 05    |
| 06    | 06    |
| 07    | 07    |
| 08    | 08    |
| 09    | 09    |
| 10    | 10    |
| 11    | 11    |
| 12    | 12    |
| 13    | 13    |
| 14    | 14    |
| 15    | 15    |
| 16    | 16    |
| 17    | 17    |
| 18    | 18    |
| 19    | 19    |
| SHELL | SHELL |

| Item NO.      | PK |
|---------------|----|
| AD_HDMI_B     | 1  |
| 2_X_AD_HDMI_B | 2  |



CN1



CN2



| ITEM | DESCRIPTIONS & SPECIFICATIONS | QTY                         | REMARK |
|------|-------------------------------|-----------------------------|--------|
| ⑤    | External Mold                 | Outer Mould 45P, PVC, Black |        |
| ④    | Inernal Mold                  | Inner Mould PE              |        |
| ③    | In-connection                 | PCB Board, T=1.6mm          | 1pcs   |
| ②    | Conector                      | HDMI A Female,gold-plated   | 1pcs   |
| ①    | Conector                      | HDMI A Male,gold-plated     | 1pcs   |

TOLERANCES UNLESS OTHERWISE STATED  
 X. = ±1  
 .X = ±0.2  
 .XX = ±0.1

**SEBSON address: Gernotstrasse 17  
44319 Dortmund Germany**

|               |   |                 |            |
|---------------|---|-----------------|------------|
| ERP NO.:      |   | SAMPLE DWG NO.: |            |
| ZONG No.:     |   | REVISION        | A0         |
| CUSTOMER:     |   | UNIT            | mm         |
| CUSTOMER P/N: |   | SCALE           | NO         |
| DESCRIPTION   | HDMI Male to HDMI Female Adapter,270 Degree | PAGE NO         | 1/1        |
|               |   | DATE            | 2021/05/19 |
| APPROVAL      |   | CHECKED         |            |
|               |   | DRAWN           |            |