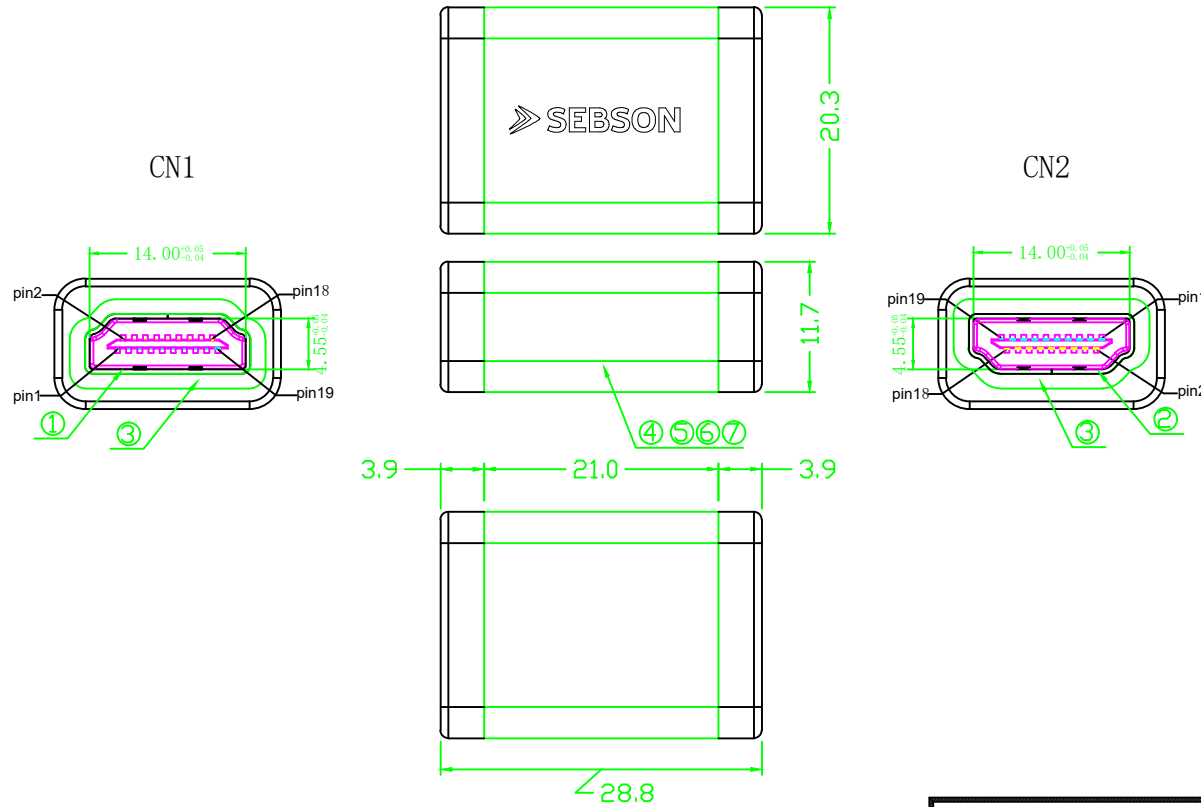




THESE DRAWINGS AND SPECIFICATIONS ARE THE PROPERTY OF **SEBSON** AND SHALL NOT BE REPRODUCED COPIED OR USED IN ANY MANNER WITHOUT THE PRIOR WRITTEN CONSENT OF **SEBSON**

RoHS Compliant •

REV.	REVISED DESCRIPTION	DATE	CHECKED
A0	FIRST RELEASE	2021/03/19	



Remark:

- 1.100% Open/Short Test
- 2.The product is Reach/RoHS compliant.

	Item NO.	PK
	AD_HDMI_A	1
	2_X_AD_HDMI_A	2

ITEM	DESCRIPTIONS & SPECIFICATIONS	QTY	REMARK
⑦	Shell	Al Shell,20.3*11.7*21mm,Gun black	1pcs
⑥	External Mold	Outer Mould 45P, PVC, Black	3.6g
⑤	Inernal Mold	Inner Mould PE	2.8g
④	In-connection	PCB Board, T=1.6mm	1pcs
③	Sleeve	PBT Sleeve,Black	2pcs
②	Conector	HDMI A Female,gold-plated	1pcs
①	Conector	HDMI A Female,gold-plated	1pcs



X	= ±1
X	= ±0.2
X	= ±0.1

TOLERANCES UNLESS OTHERWISE STATED

**SEBSON address: Gernotstrasse 17
44319 Dortmund Germany**

ERP NO.:		SAMPLE DWG NO.:	
CUSTOMER:		REVISION	A0
CUSTOMER P/N:		UNIT	mm
DESCRIPTION	HDMI Female to HDMI Female Adapter	PAGE NO	1/1
		DATE	2021/03/19
APPROVAL	CHECKED	DRAWN	