



THESE DRAWINGS AND SPECIFICATIONS ARE THE PROPERTY OF SEBSON AND SHALL NOT BE REPRODUCED COPIED OR USED IN ANY MANNER WITHOUT THE PRIOR WRITTEN CONSENT OF SEBSON.

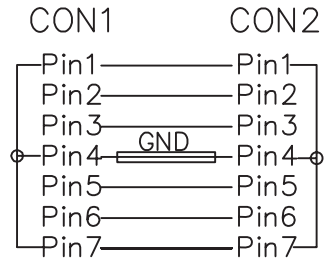
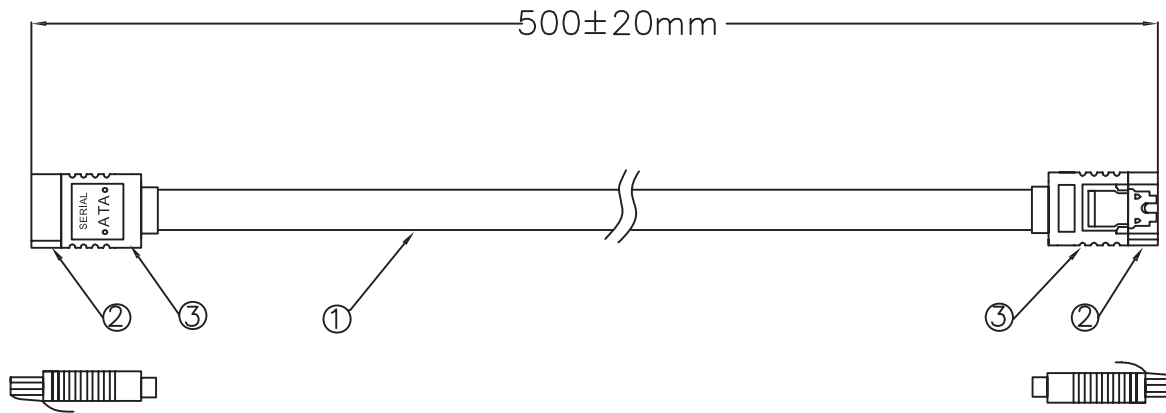
**RoHS Compliant**

REV.

DESCRIPTION

DATE

DESIGN



CLIENT NO:	4*SATA3_50CM_A
LENGTH (L)	500±20mm

**NOTES:**

- Test Condition:
  - 100% OPEN & SHORT TEST;
  - Insulation Resistance:  $\geq 10M\Omega$ (Min) ;
  - Conductor Resistance:  $\geq 5\Omega$ /Max.
- The product is ROHS & REACH compliant.

ITEM	DESCRIPTION	UNIT	Q'TY
③	External MOLDED 35P Black PVC		
②	CON SATA 7Pin Female	PCS	2
①	CABLE SATA-7P 8C $\phi 3.0$ mm Black Jacket Cable	PCS	1

 **SEBSON address: Gernotstrasse 17  
44319 Dortmund Germany**

ERP NO.:		SAMPLE DWG. NO.:	
SKU:		REVISION	A0
CUSTOMER:		UNIT	mm
CUSTOMER P/N:	4*SATA3_50CM_A	SCALE	NO
DESCRIPTION		PAGE NO	1/1
		DATE	2021/02/22
APPROVAL		CHECKED	
DRAWN			