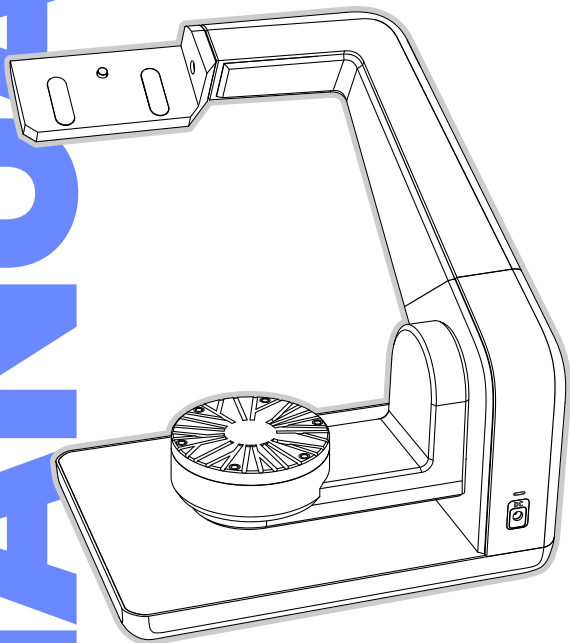


V1.0

3DMAKERPRO

store.3dmakerpro.com



Multi-Axis Turntable

3DMAKERPRO

- f @3DMakerProCares
- @official3DMakerPro
- @3DMakerPro
- https://store.3dmakerpro.com/
- service@3dmakerpro.com

JimuMeta

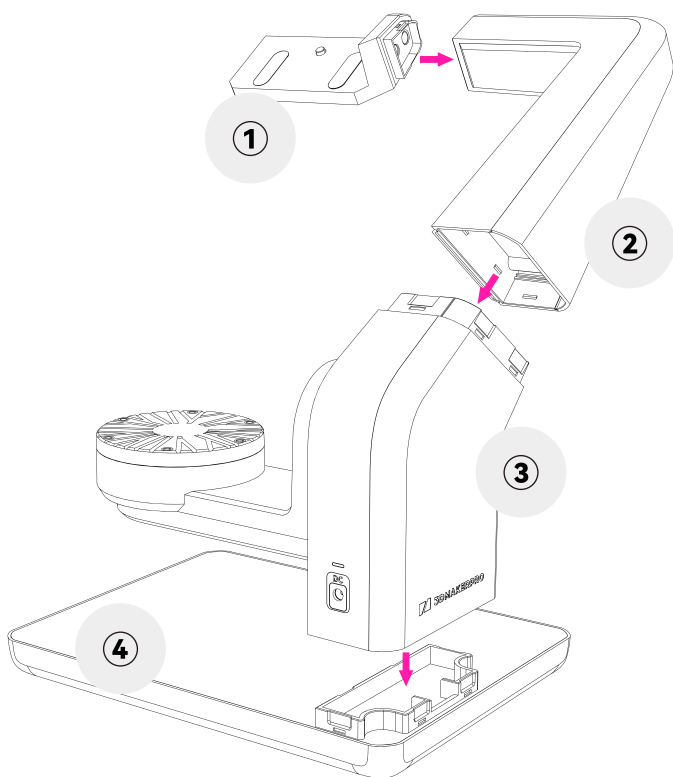
- f @JimuMeta
- @JimuMeta
- https://www.jimumeta.com/
- service@jimumeta.com

Download latest **JMStudio** from
<https://forum.jimumeta.com/home/help/download.html>

Get latest **Manual** from
<https://forum.jimumeta.com/home/help/manual.html>



HARDWARE ASSEMBLY

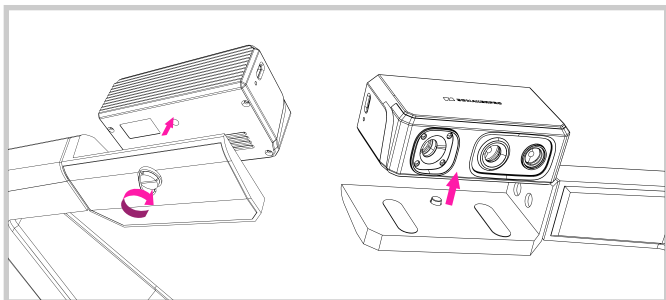


* Product images are for illustrative purposes only.

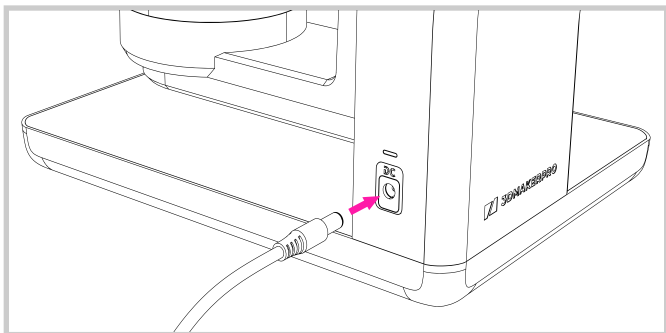
Please follow the above image to assemble the four modules. We recommend you to assemble Module ① and ② together, assemble Module ③ and ④ together, then connect the two parts together.

DEVICE CONNECTION

1. Hardware Connection



Align the device with the turntable bracket (Module 1), and make sure the cameras face towards the mini-turntable; then align the thumb screw with the screw hole on the device, screw it in and tighten it.

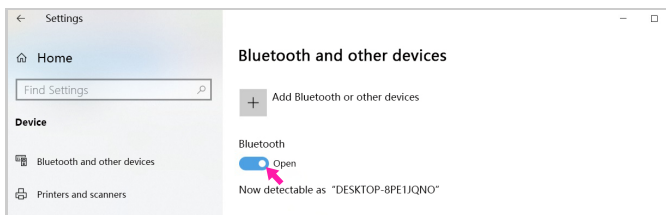


Plug the DC connector of the power supply into the DC port on Module 3, then find a power source to power the Multi-Axis turntable up.

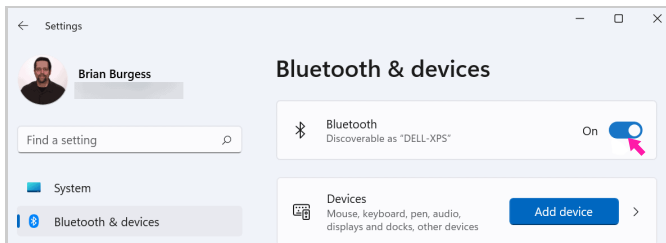
2. Software Connection

① Multi-axis turntable connects to JMStudio software through Bluetooth. Please make sure your PC Bluetooth is enabled, or use a Bluetooth receiver if there's no Bluetooth capability.

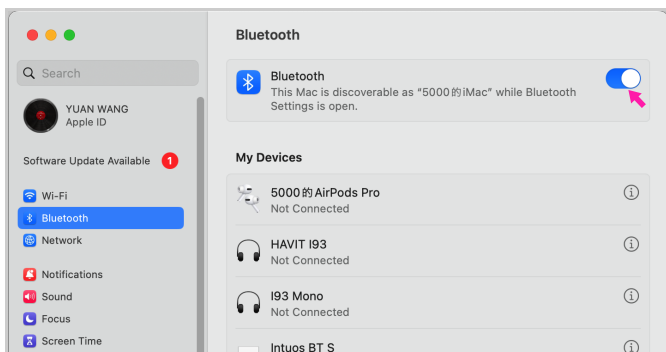
On Windows10



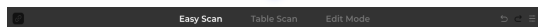
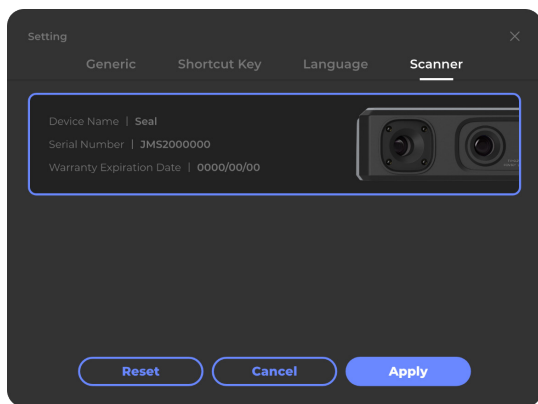
On Windows11



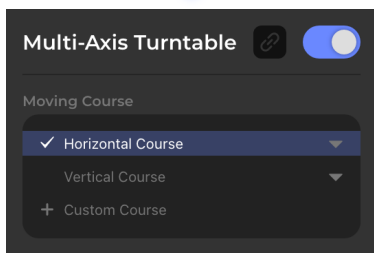
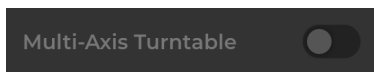
On macOS



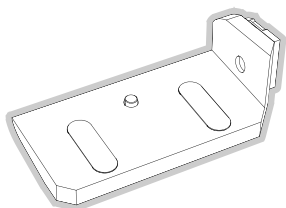
② Please make sure you're in the latest version of JMStudio; open the software and rename the device as Seal or Seal lite in the Setting. Then go back to the main interface and switch into Easy Scan panel in Work Mode; Multi-Axis Turntable Panel will show below the Work Panel.



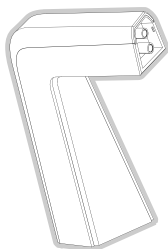
③ Click the buttons on the Multi-Axis Turntable Panel to enable the function and expand this panel; then refresh the connection status icon beside until it's turning black.



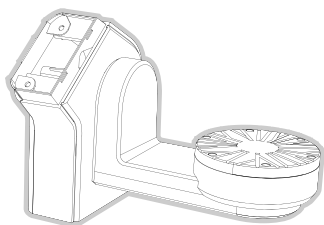
PACKING LIST



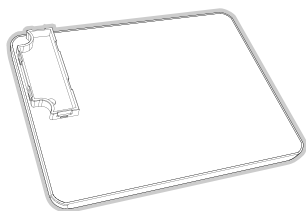
Turntable Module 1



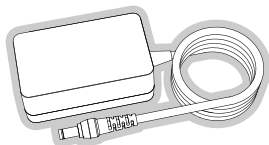
Turntable Module 2



Turntable Module 3



Turntable Module 4



Power Supply



Manual

* Product images are for illustrative purposes only.