

# Nema 17 Stepper Motor

Rev: A

Date:

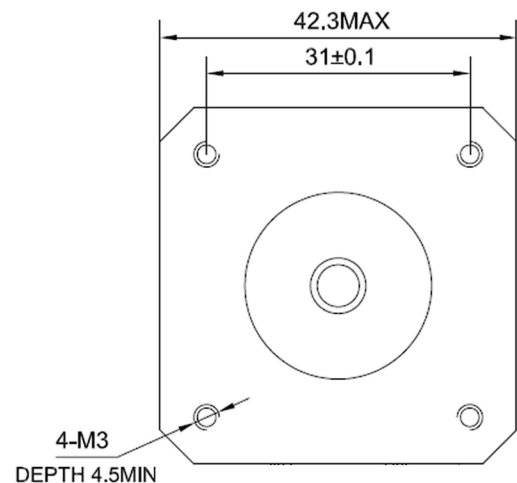
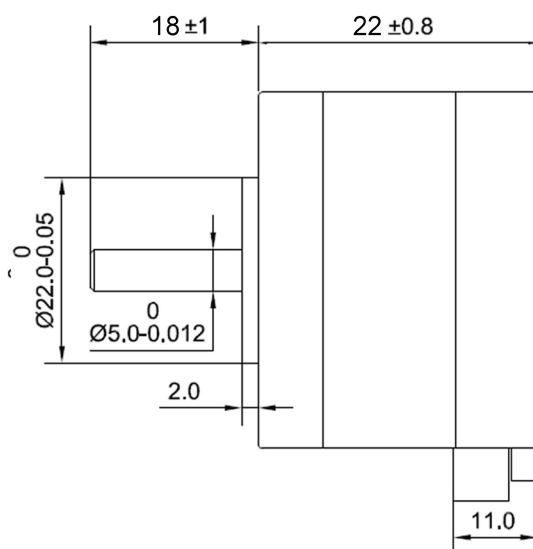
## COMMON RATINGS

Step angle :	1.8°	Dielectric strength :	500VAC
Positional accuracy :	±5%	Insulation resistance :	100Mohm(500VDC)
Number of Phase :	2	Ambient Temperature :	-10°C~50°C
Temperature rise :	80°C MAX	Insulation class :	B
		Weight :	0,13 Kg

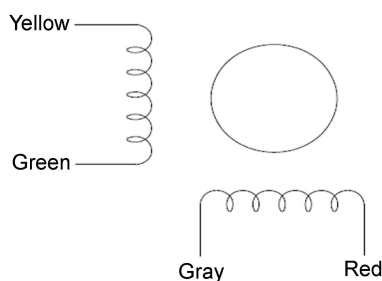
## SPECIFICATIONS

Holding Torque ( 2 phases on ) Kg.cm	Rated Current/Phase (Amps DC )	Phase Resistance ( ohms ) ±10%
1.2	0.8	3,7

## DIMENSIONS unit=mm



## CONNECTIONS



13002