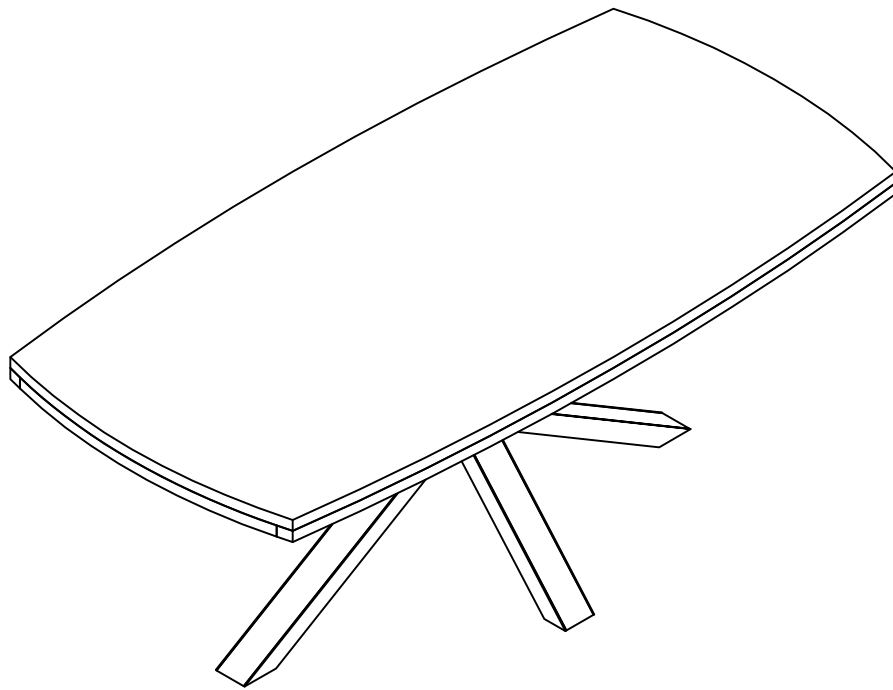


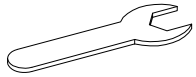
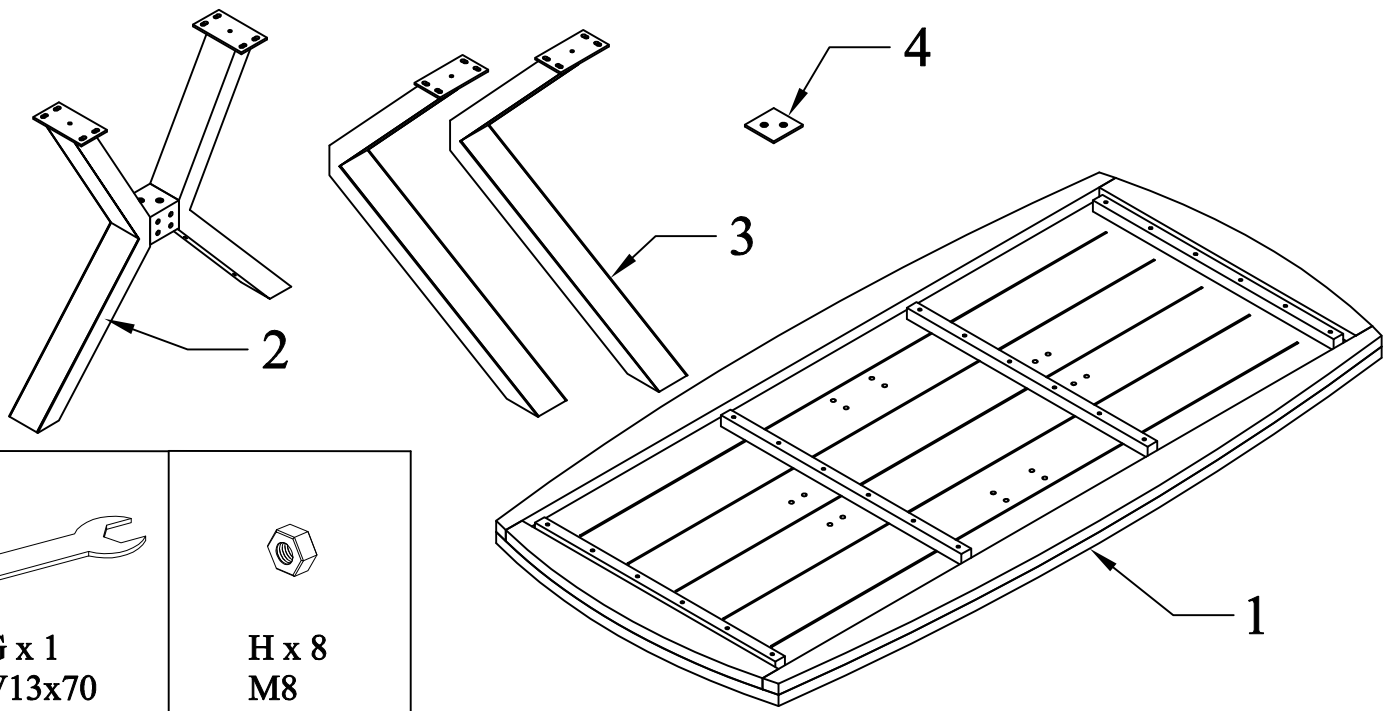
30 min

# ASSEMBLY INSTRUCTION

## RECTANGULAR OVAL DINNING

### TABLE - STARWOOD

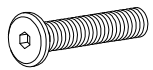




G x 1  
V13x70



H x 8  
M8



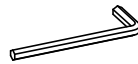
A x 16  
M8x25



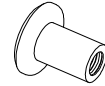
B x 16  
Ø8.4x18x1.6



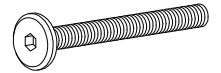
C x 16  
Ø8x13x1.6



D x 2  
M4x110

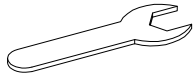
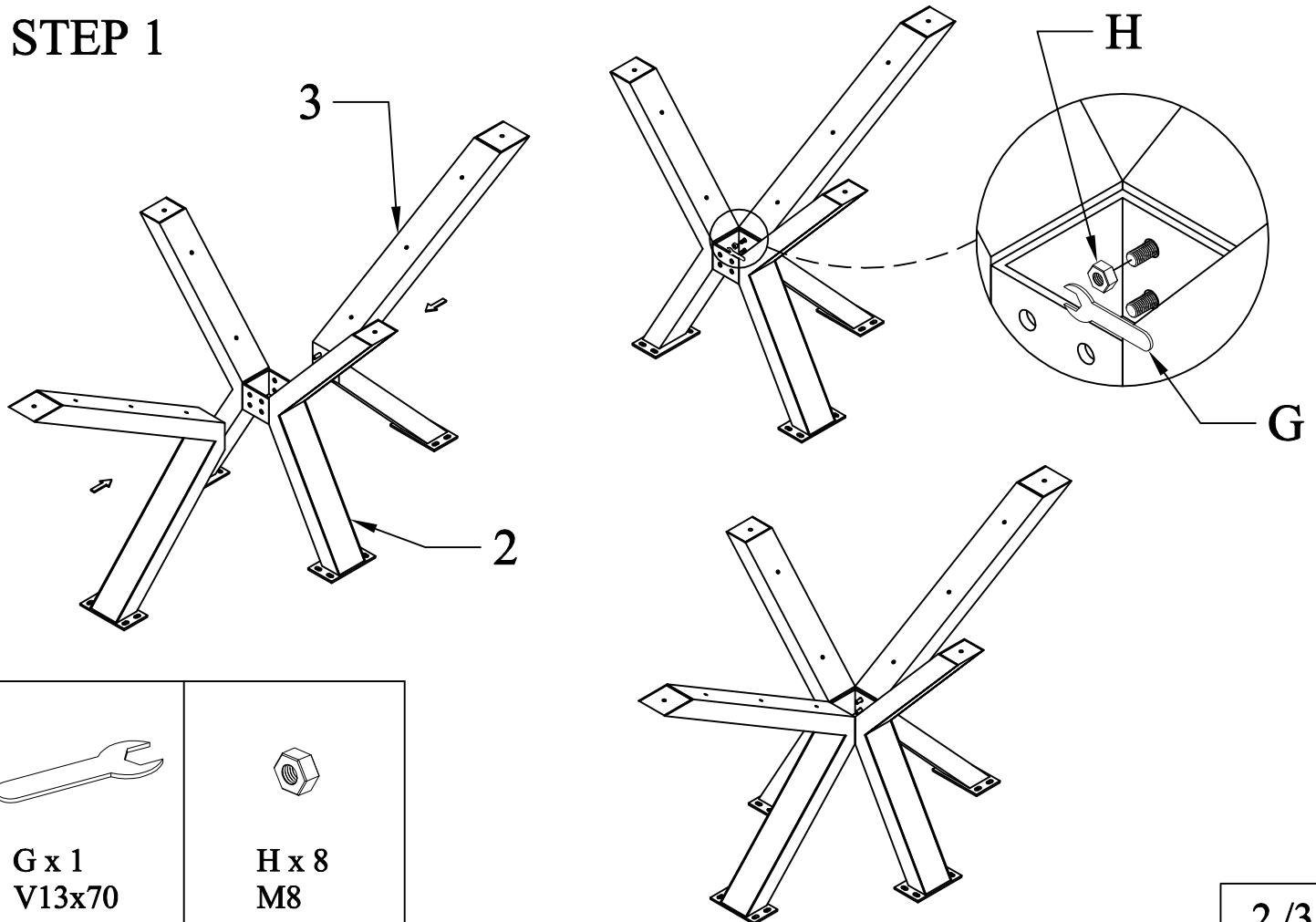


E x 2  
M8x20



F x 2  
M8x70

### STEP 1

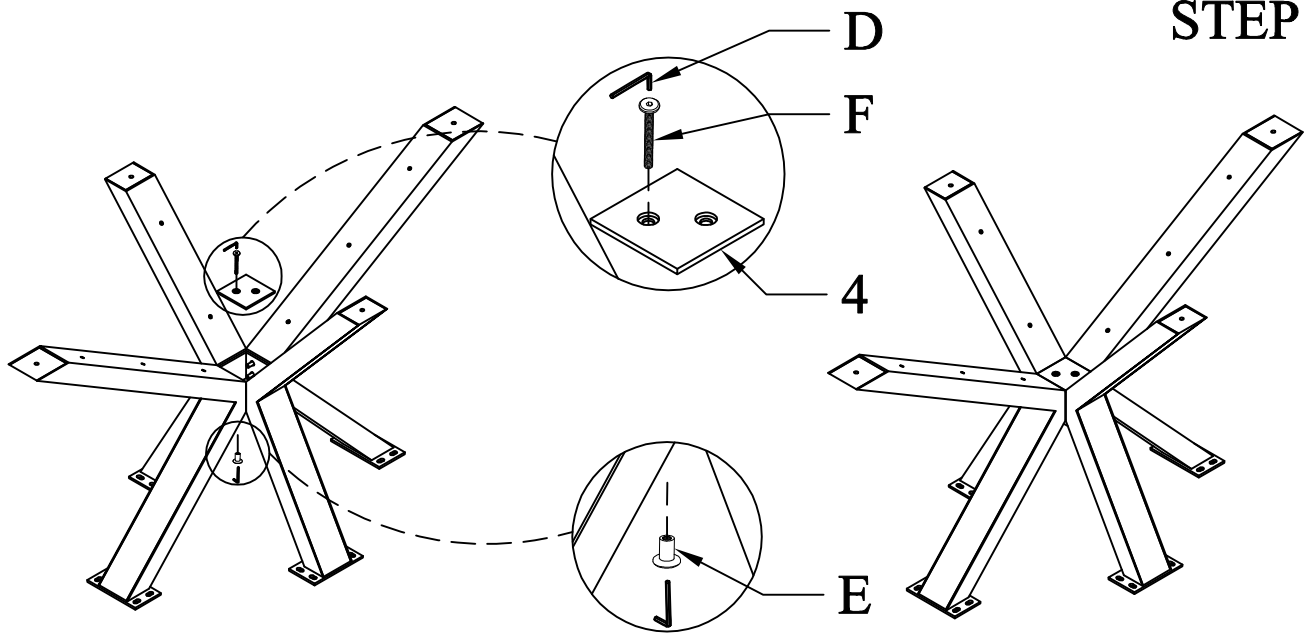


G x 1  
V13x70



H x 8  
M8

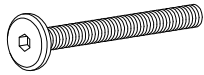
## STEP 2



**D x 2**  
**M4x110**

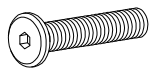
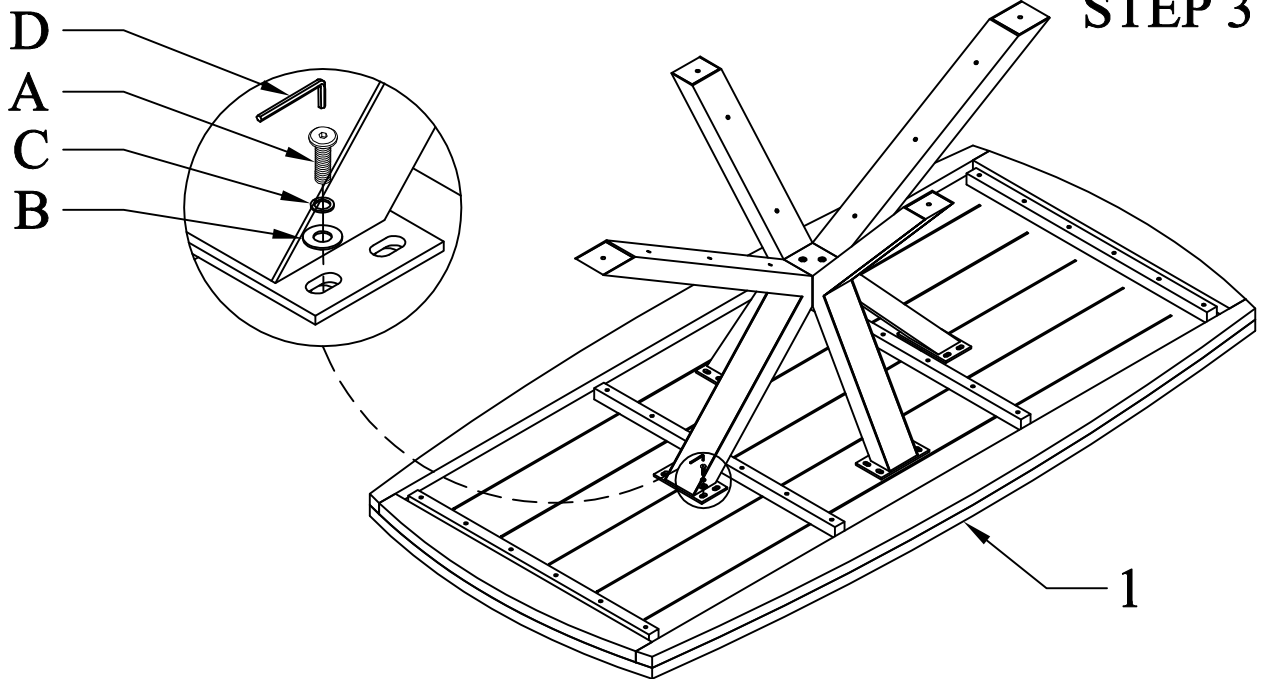


**E x 2**  
**M8x20**



**F x 2**  
**M8x70**

## STEP 3



**A x 16**  
**M8x25**



**B x 16**  
**Ø8.4x18x1.6**



**C x 16**  
**Ø8x13x1.6**



**D x 1**  
**M4x110**