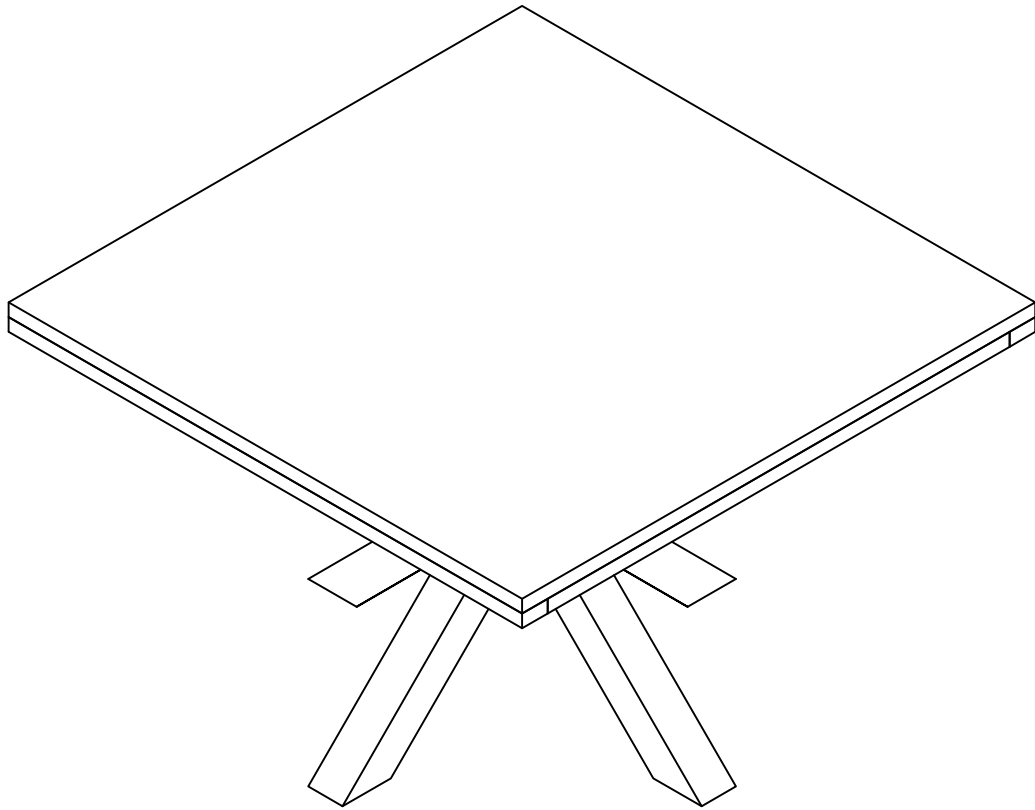
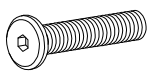
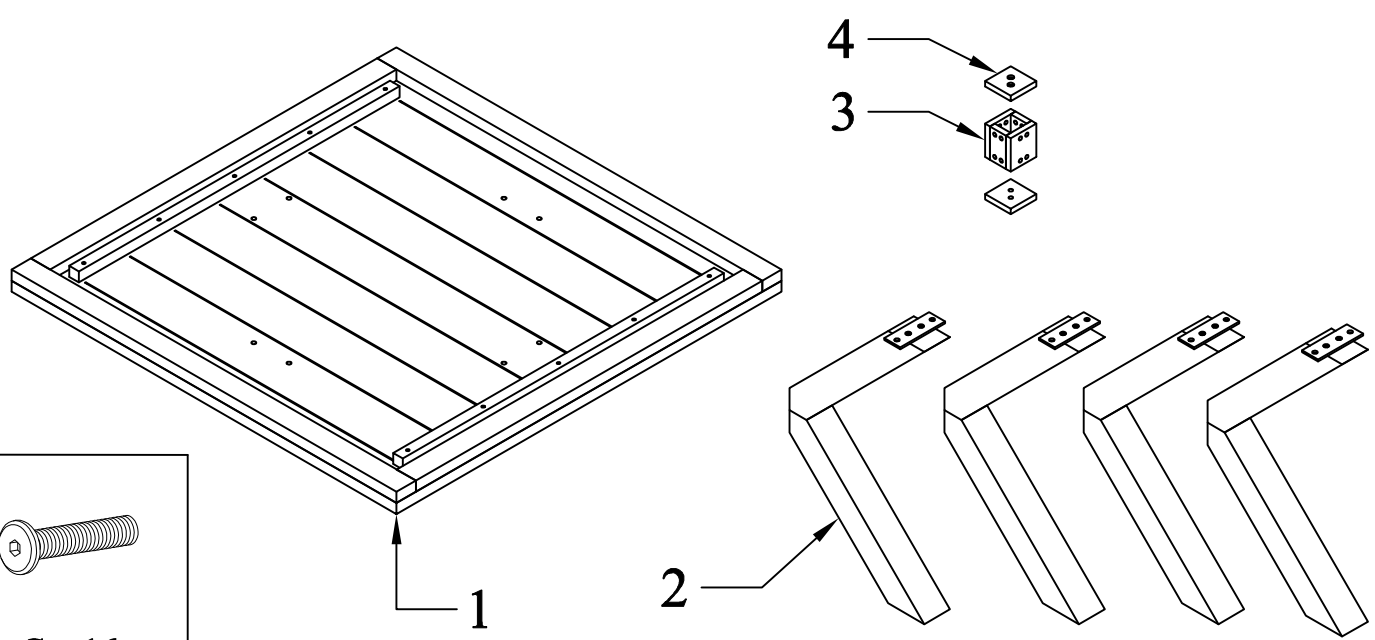


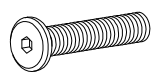
ASSEMBLY INSTRUCTION

ANGULAR TABLE - STAR





G x 16
M8x35



A x 8
M8x25



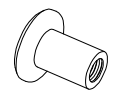
B x 8
Ø8.4x18x1.6



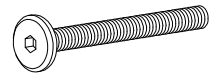
C x 8
Ø8x13x1.6



D x 1
M4x110

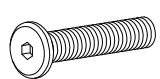
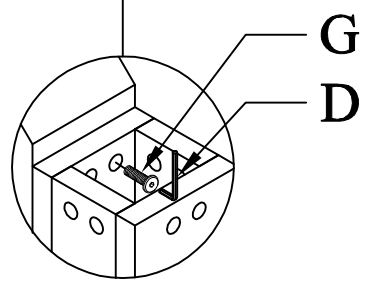
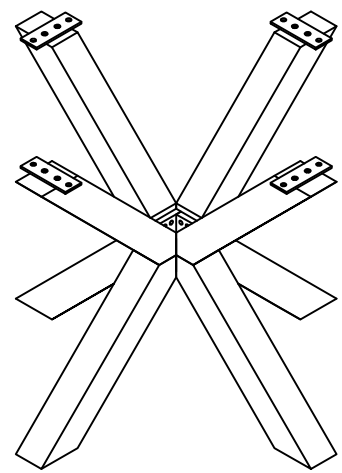
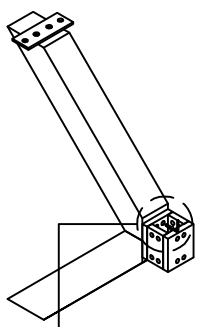
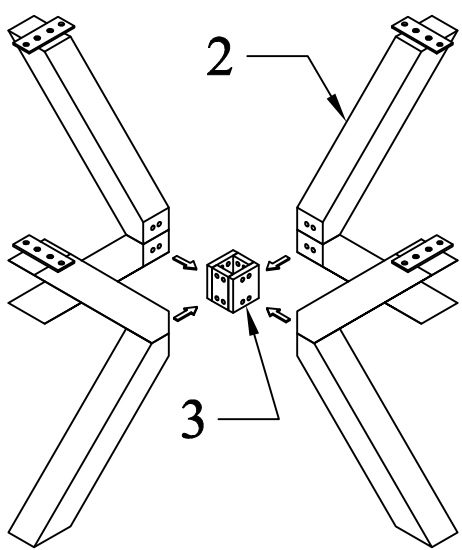


E x 2
M8x20



F x 2
M8x110

STEP 1

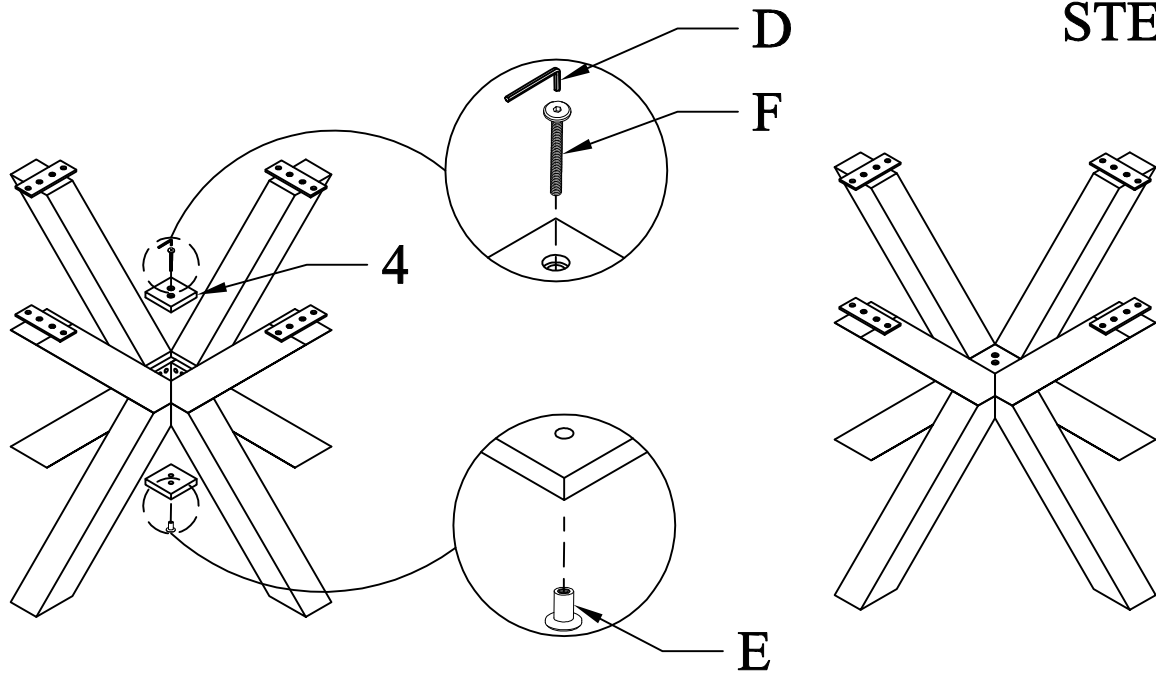


G x 16
M8x35

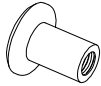


D x 1
M4x110

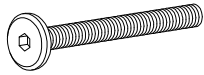
STEP 2



D x 1
M4x110

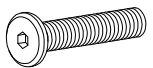
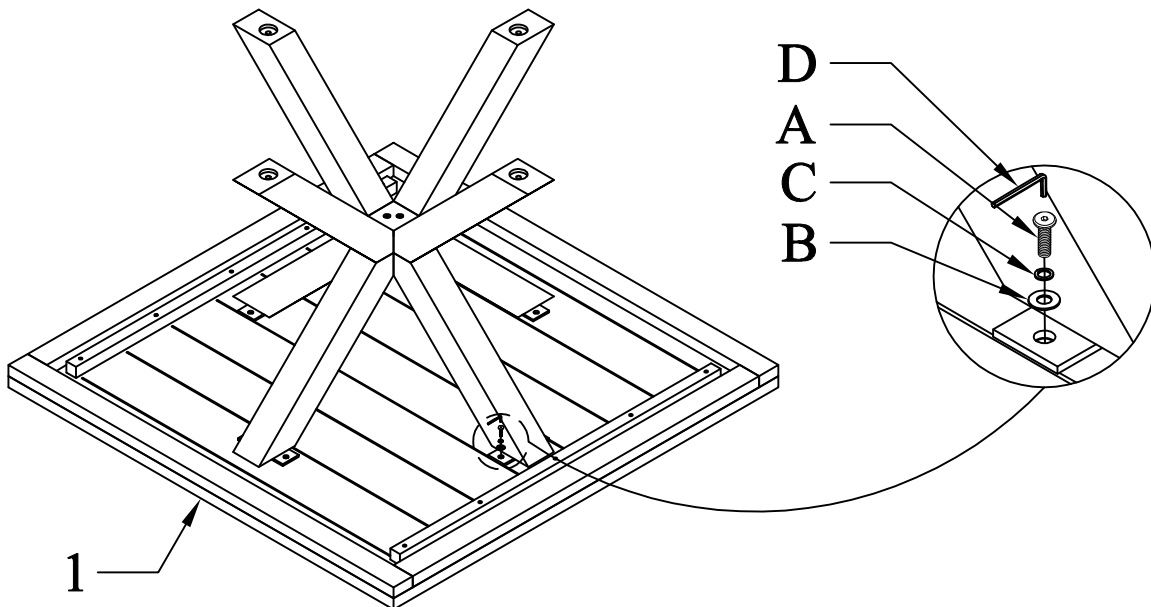


F x 2
M8x20



F x 2
M8x110

STEP 3



A x 8
M8x25



B x 8
Ø8.4x18x1.6



C x 8
Ø8x13x1.6



D x 1
M4x110