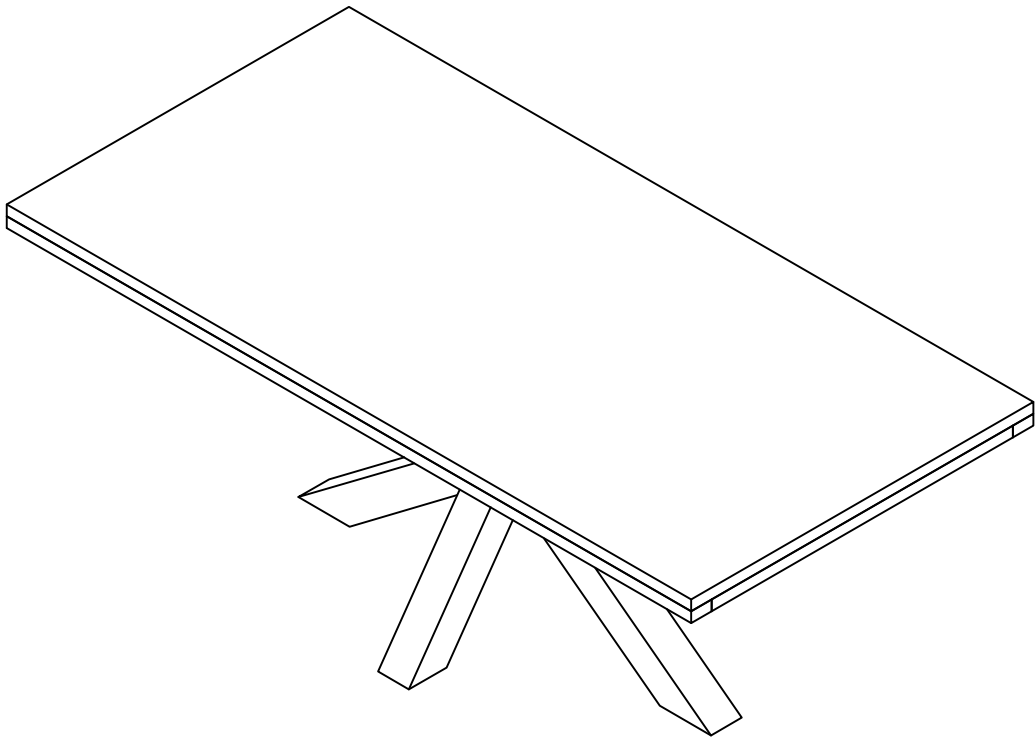
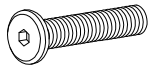
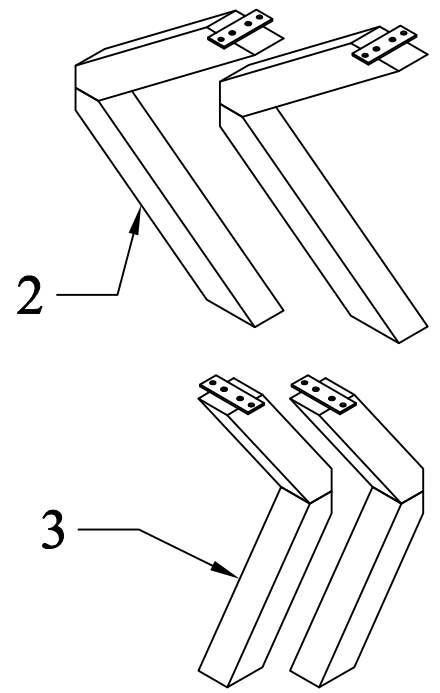
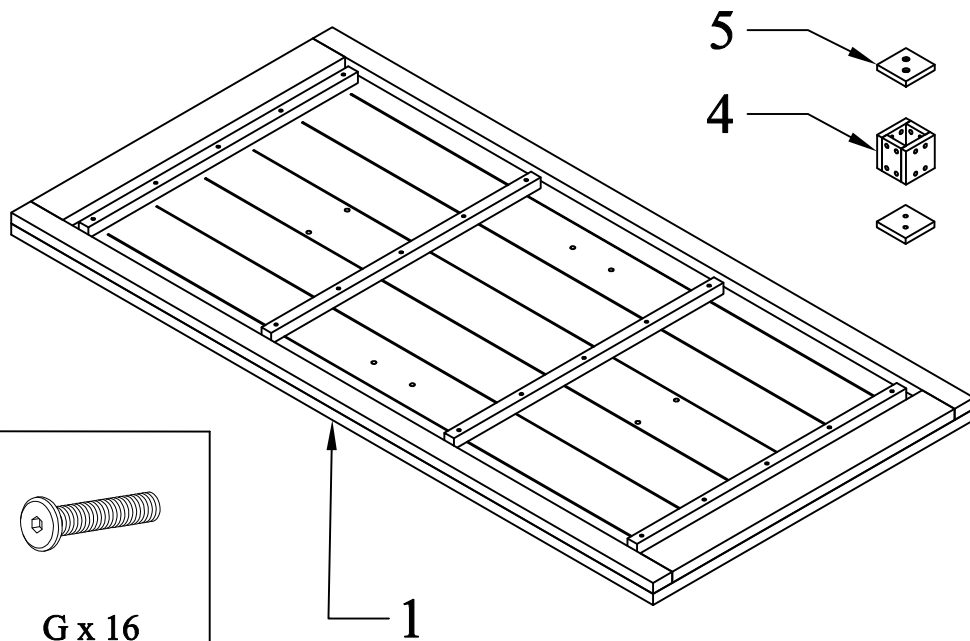


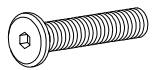
# ASSEMBLY INSTRUCTION

## DINNING TABLE - STAR





**G x 16**  
**M8x35**



**A x 8**  
**M8x25**



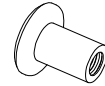
**B x 8**  
**Ø8.4x18x1.6**



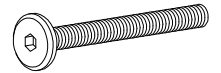
**C x 8**  
**Ø8x13x1.6**



**D x 1**  
**M4x110**

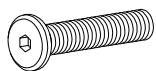
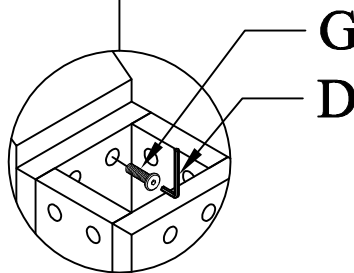
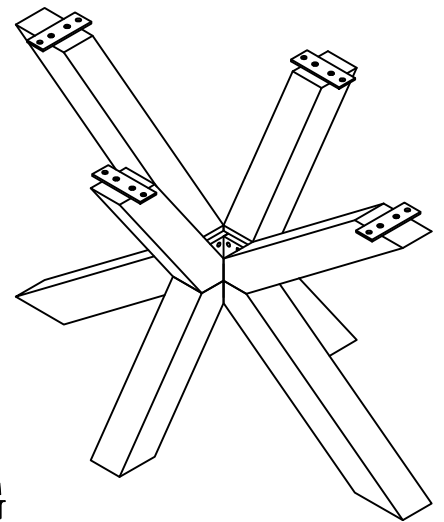
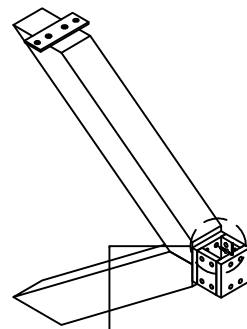
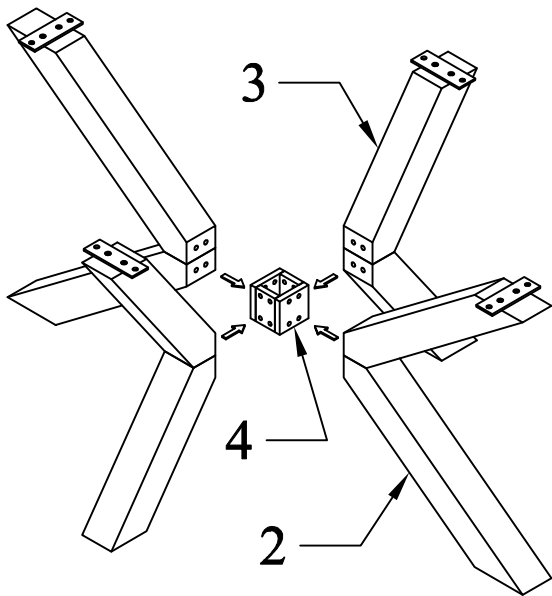


**E x 2**  
**M8x20**



**F x 2**  
**M8x110**

## STEP 1

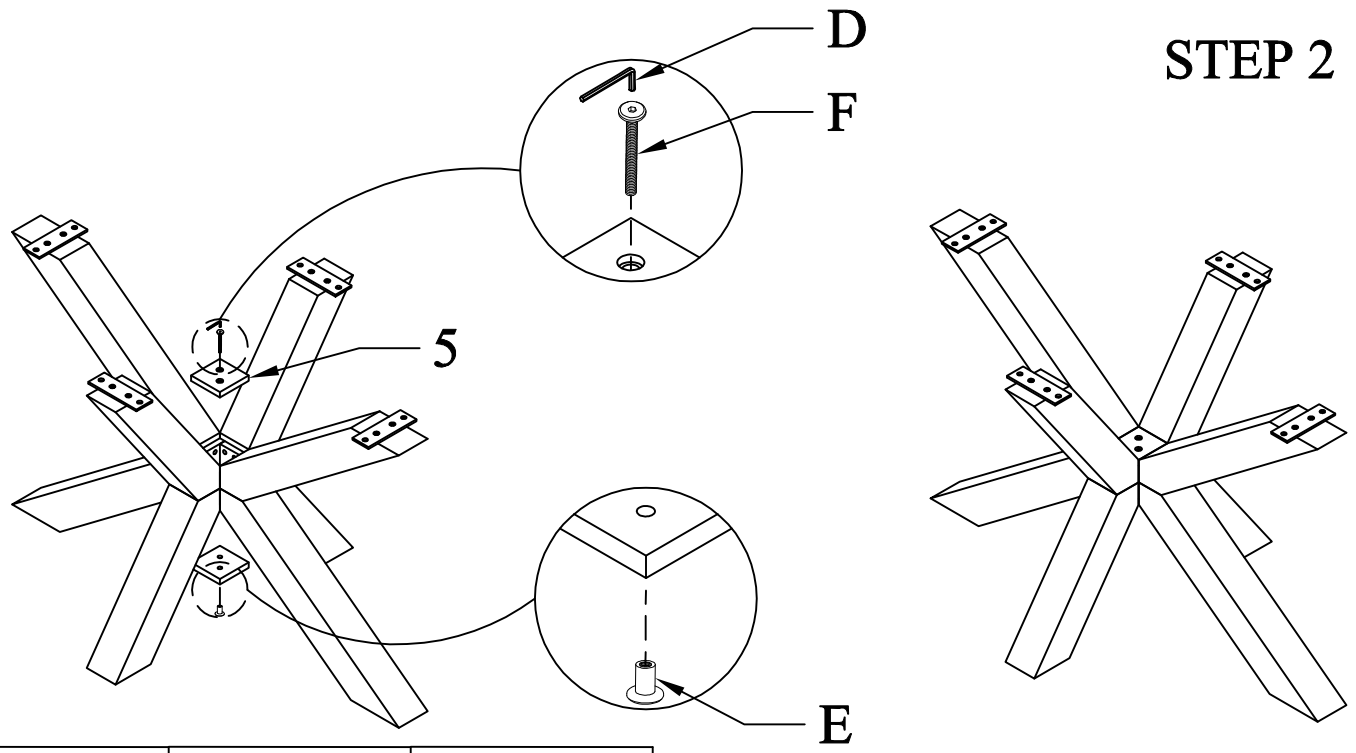



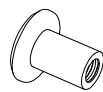
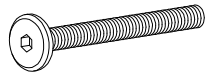
**G x 16**  
**M8x35**



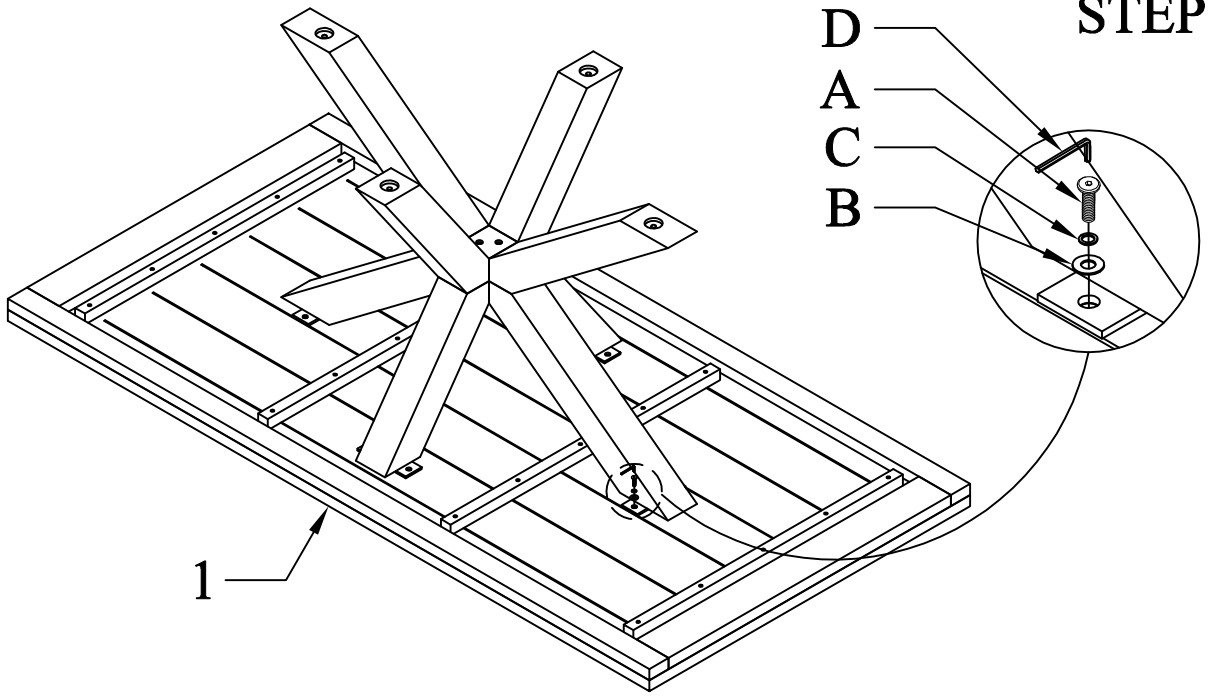
**D x 1**  
**M4x110**

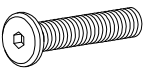



# STEP 2



 <b>D x 1</b> <b>M4x110</b>	 <b>E x 2</b> <b>M8x20</b>	 <b>F x 2</b> <b>M8x110</b>
---	---	--

# STEP 3



 <b>A x 8</b> <b>M8x25</b>	 <b>B x 8</b> <b>Ø8.4x18x1.6</b>	 <b>C x 8</b> <b>Ø8x13x1.6</b>	 <b>D x 1</b> <b>M4x110</b>
--	---	---	--