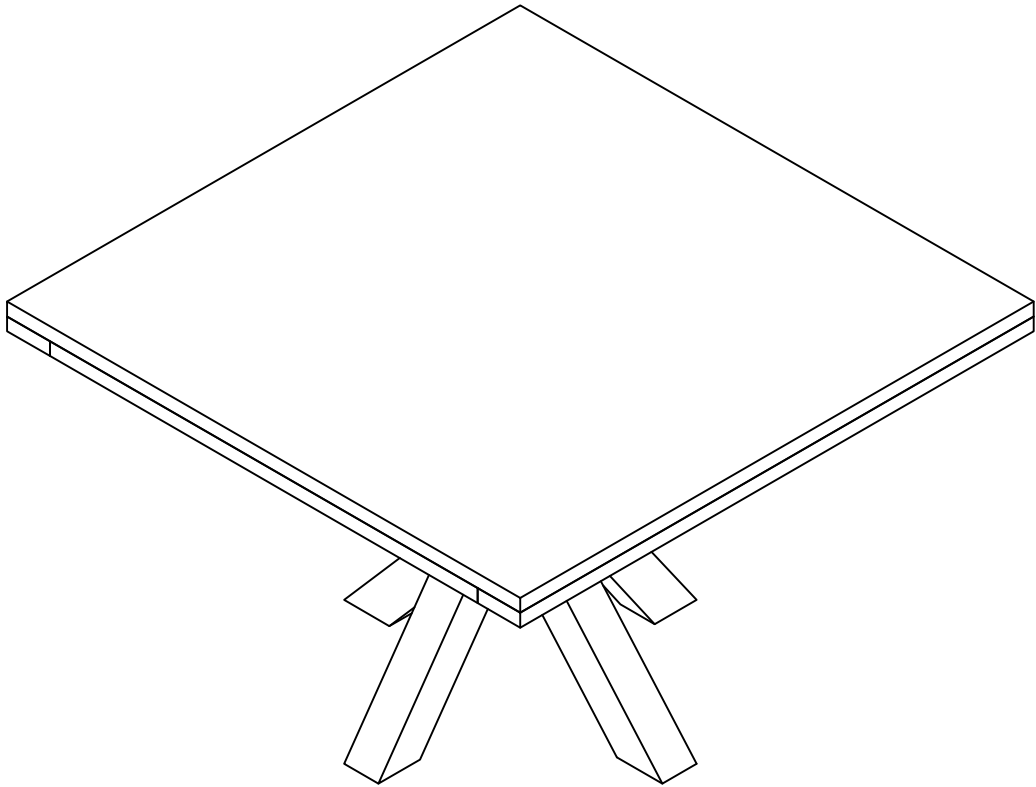
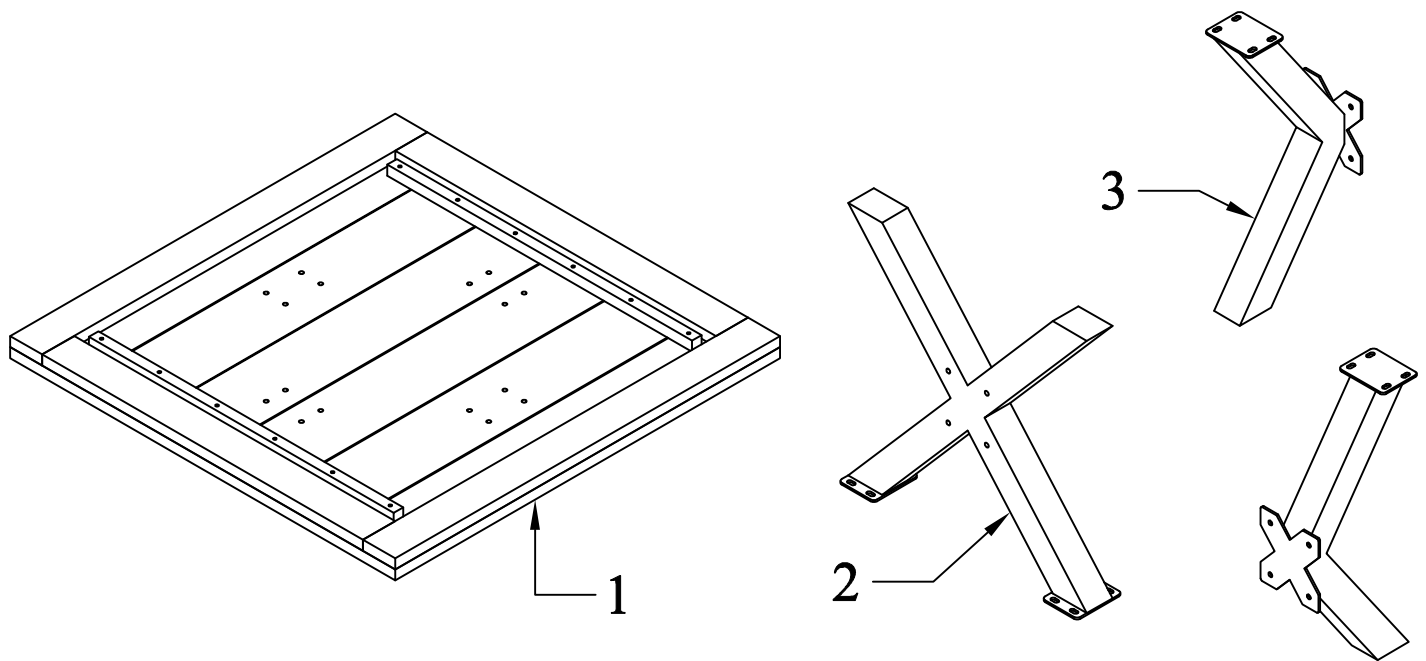


ASSEMBLY INSTRUCTION

ANGULAR TABLE - STAR

(METAL LEGS)





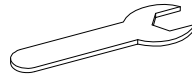
A x 16
M8x25



B x 24
Ø8.4x18x1.6



C x 24
Ø8x13x1.6



D x 1
V13x70

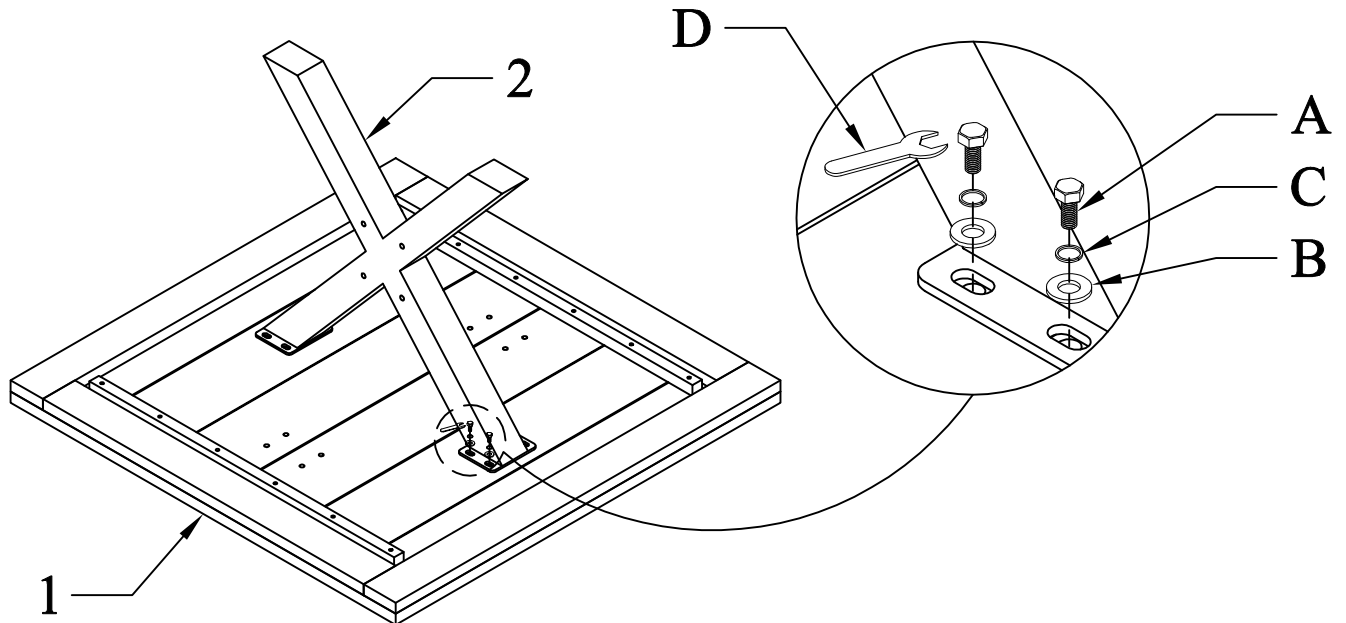


E x 4
M8



F x 4
M8x110

STEP 1



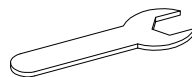
A x 8
M8x25



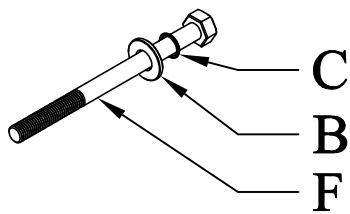
B x 8
Ø8.4x18x1.6



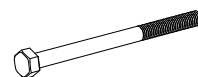
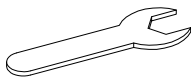
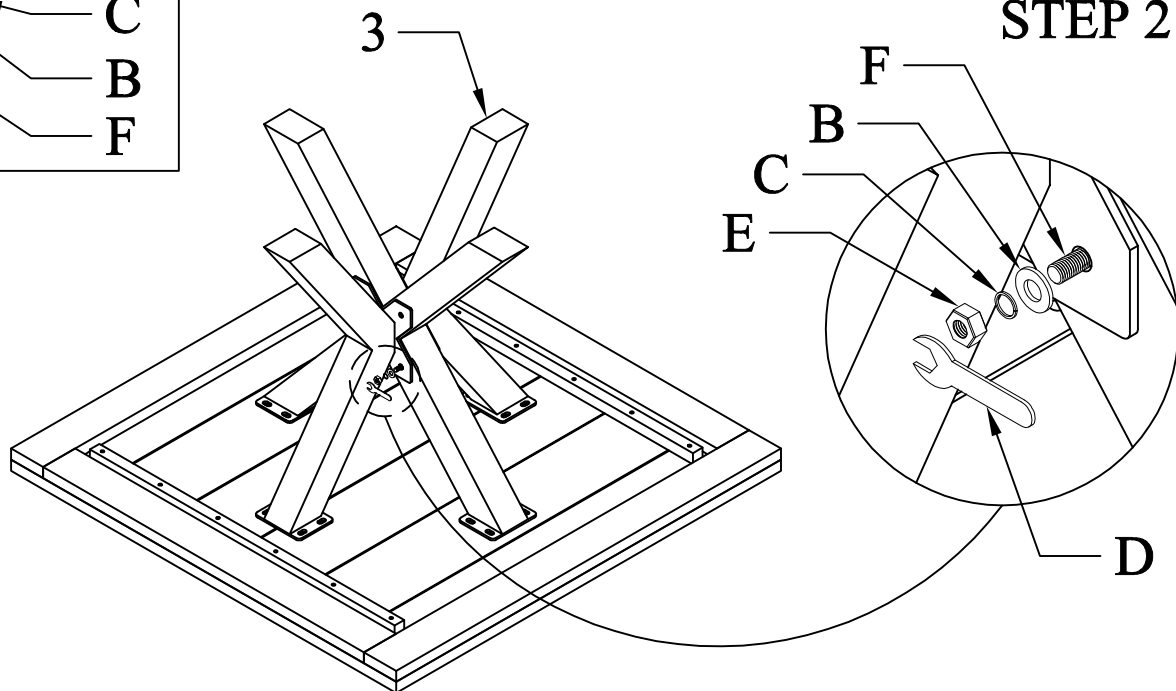
C x 8
Ø8x13x1.6



D x 1
V13x70



STEP 2



B x 8
Ø8.4x18x1.6

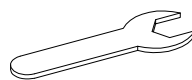
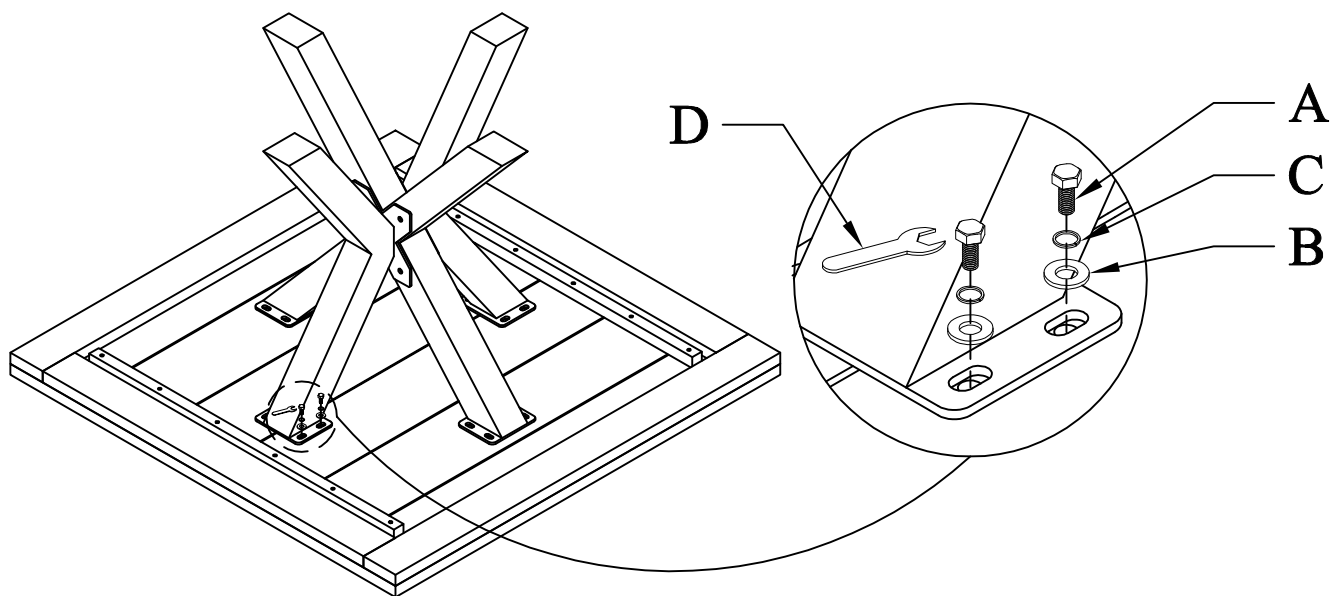
C x 8
Ø8x13x1.6

D x 1
V13x70

E x 4
M8

F x 4
M8x110

STEP 3



A x 8
M8x25

B x 8
Ø8.4x18x1.6

C x 8
Ø8x13x1.6

D x 1
V13x70