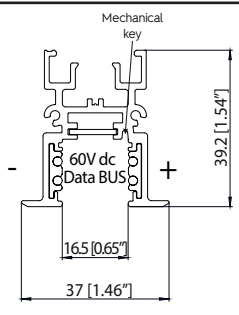
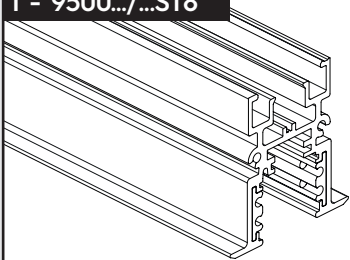
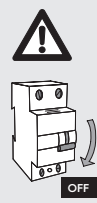




ST8

MULTISYSTEM

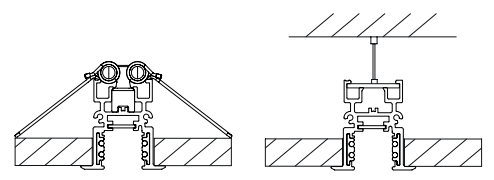
1 - 9500.../...ST8



CODE	L mm [ft]	
9500-1/...-ST8	1000 [3.28']	
9500-2/...-ST8	2000 [3.28']	
9500-3/...-ST8	3000 [3.28']	

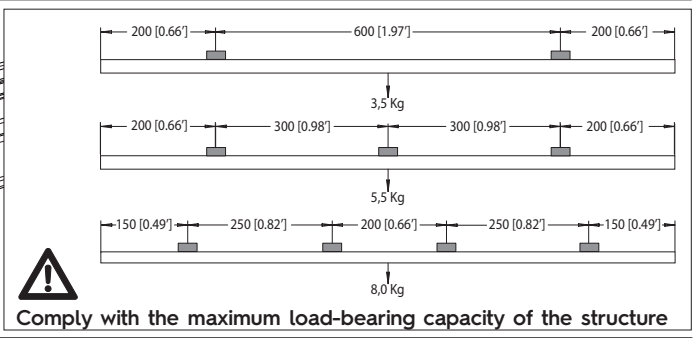
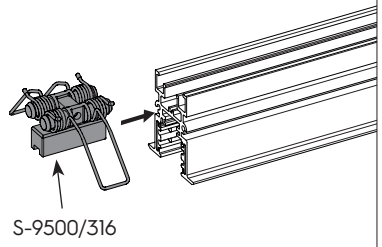
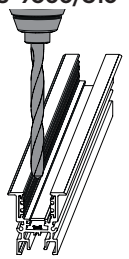
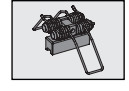
2 - USE

Recessed (ceiling)

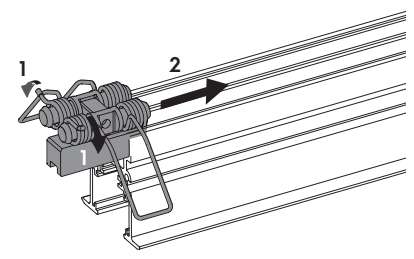
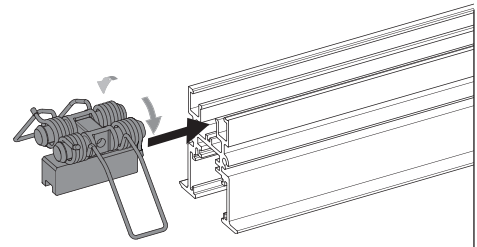
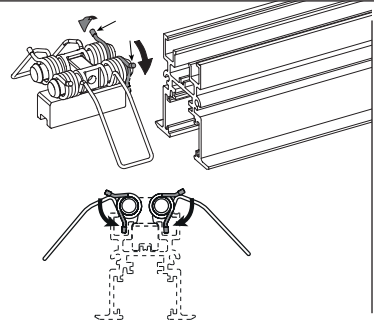


3 - RECESSED FIXING

3a with spring S-9500/316



Comply with the maximum load-bearing capacity of the structure

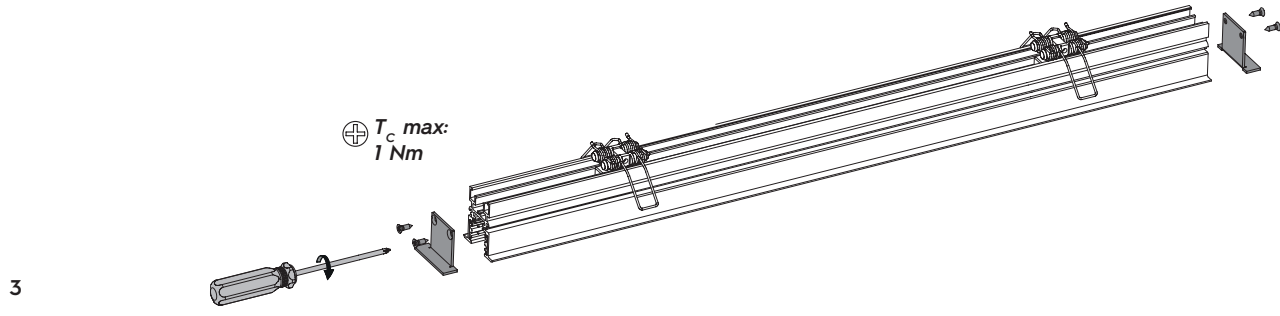


2a

2b

2c

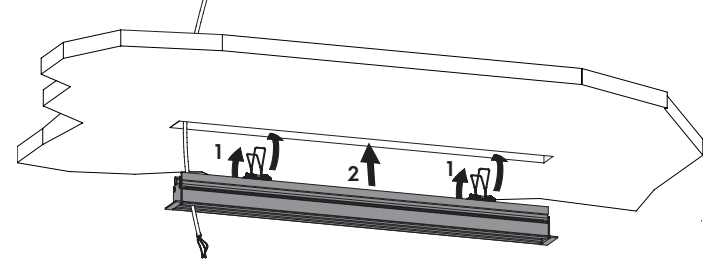
$\oplus T_c \text{ max: } 1 \text{ Nm}$



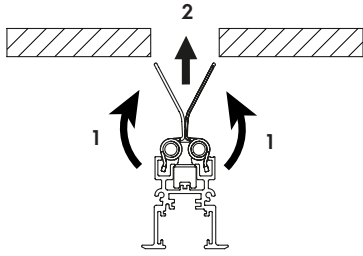
3



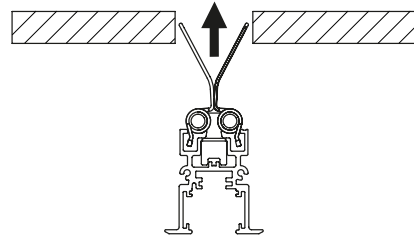
4



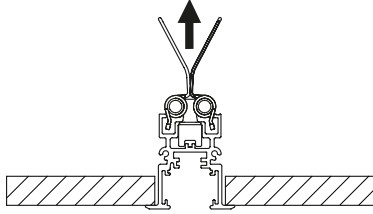
5



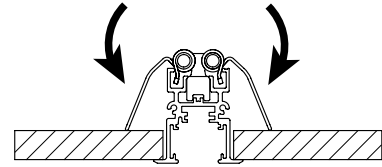
5a



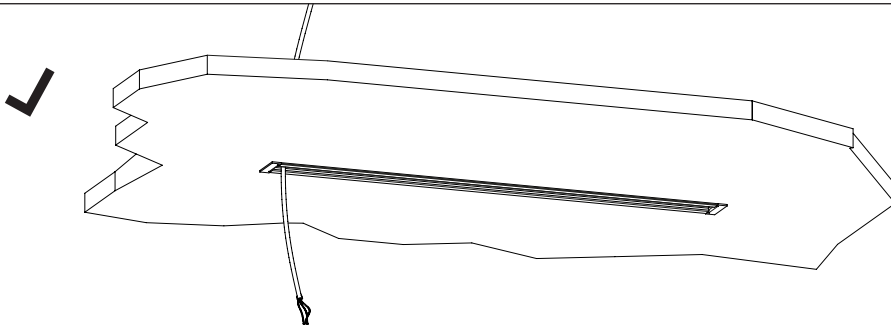
5b



5c

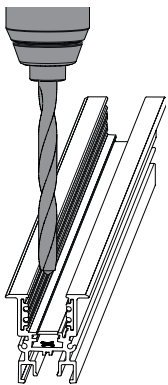
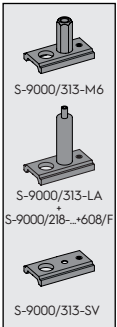


5d

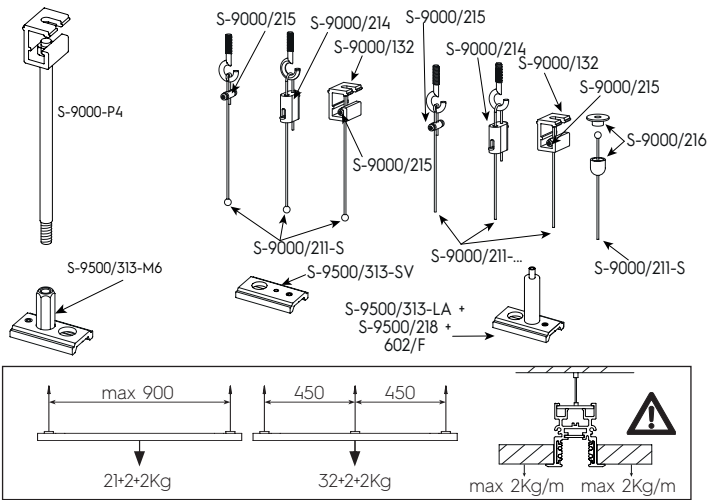


6

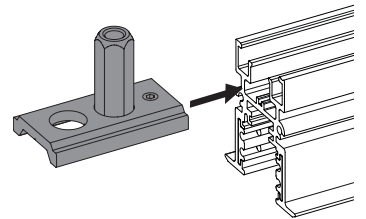
3b with bracket



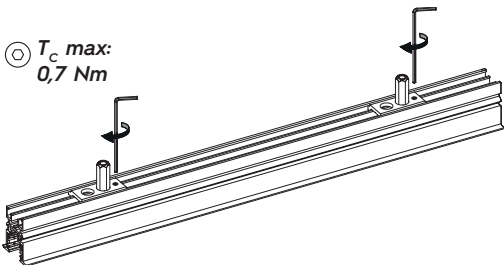
1



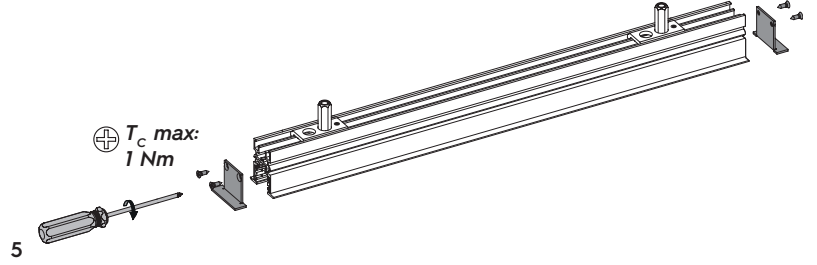
2



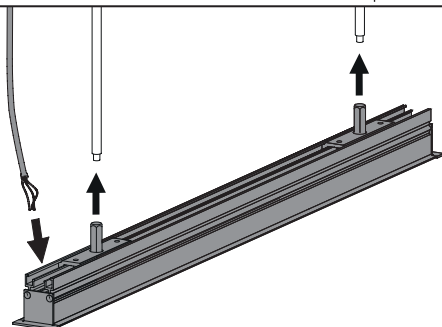
3



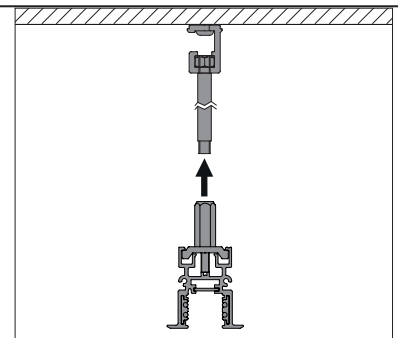
4

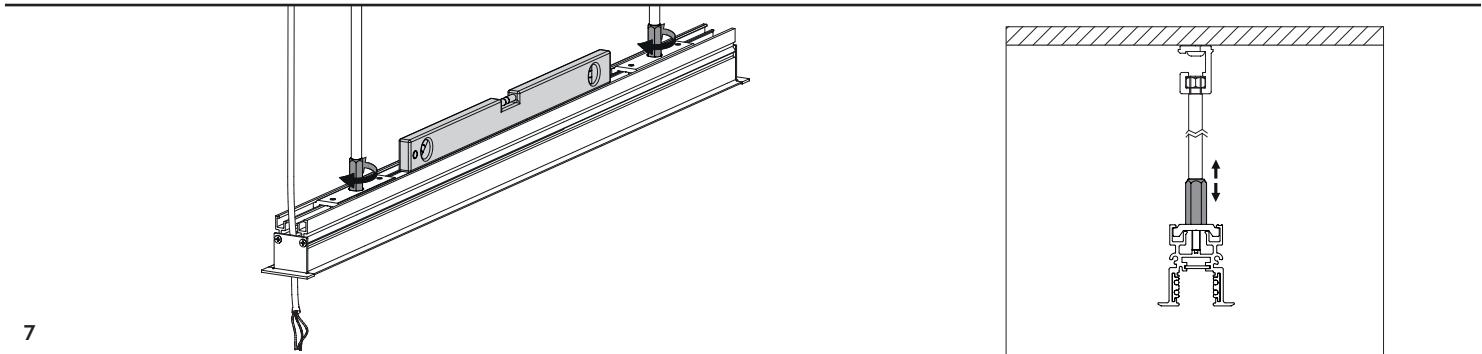


5

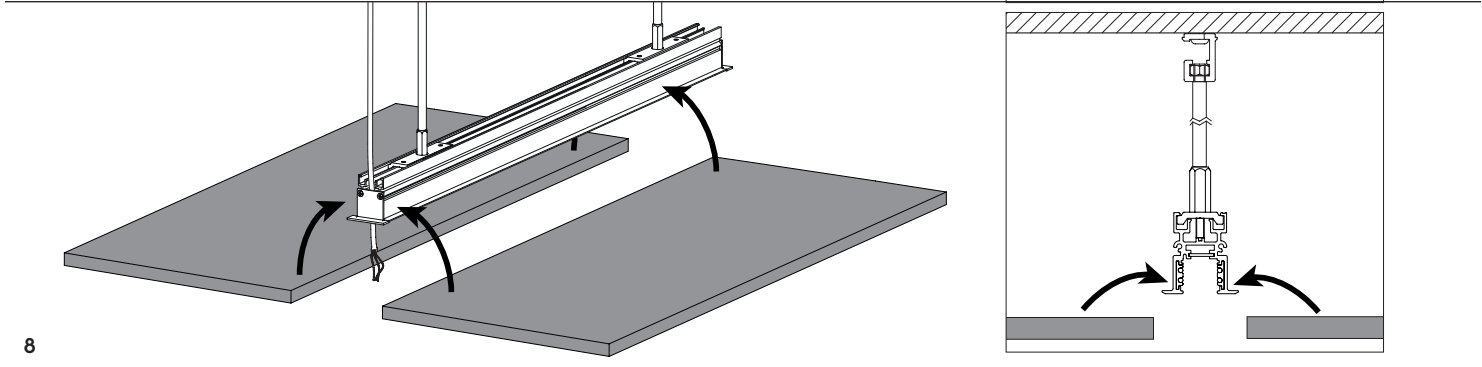


6

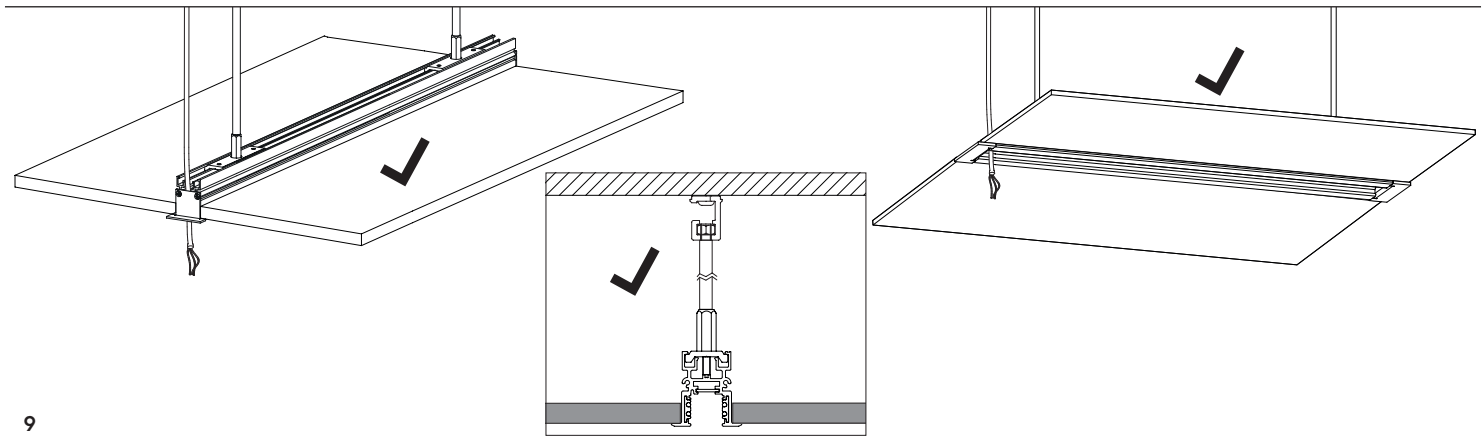




7




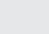
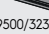


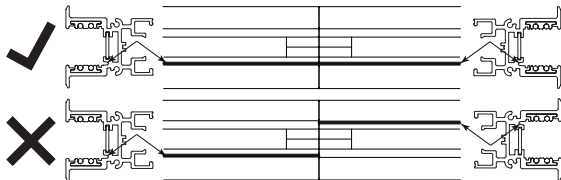
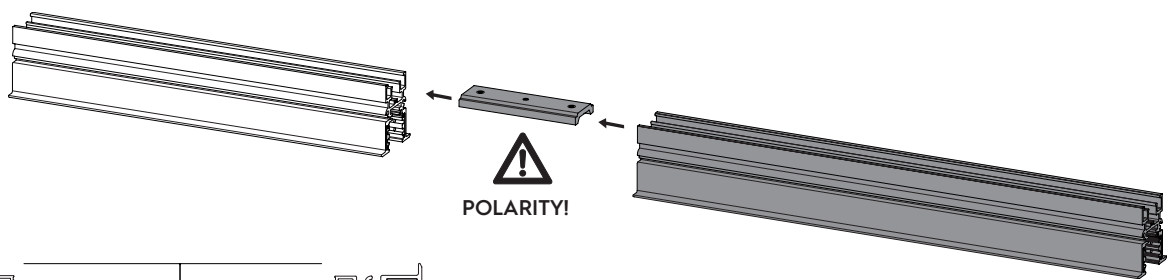
8



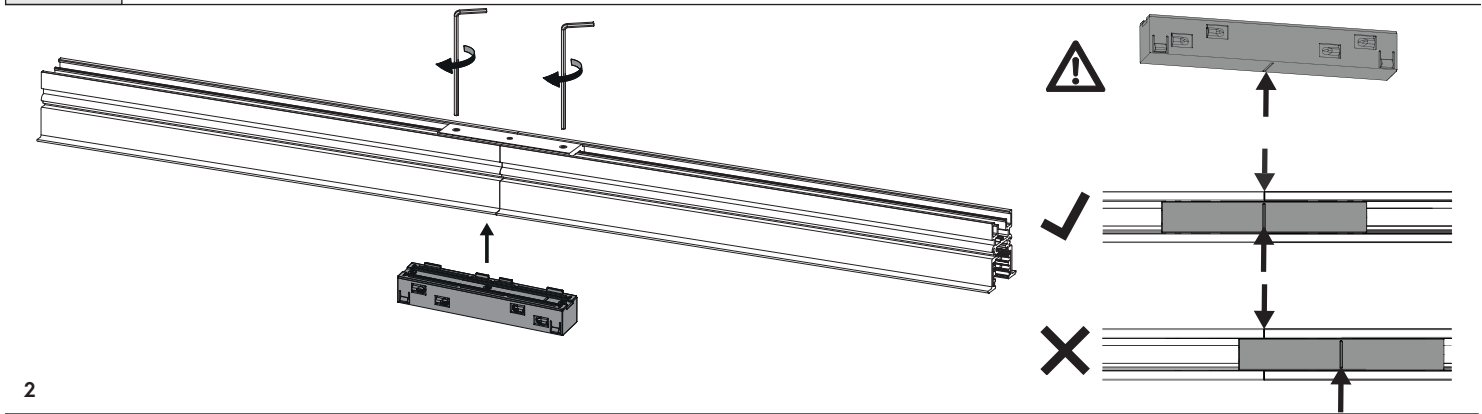
9

4 - IN ROW USE

-  S-9500/323-M6...
-  S-9500/323-M13...
-  S-9500/323-LA...
-  S-9000/218...-608/F
-  S-9500/323-SV...

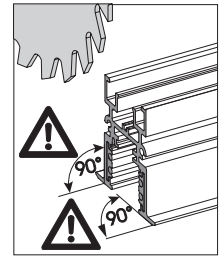
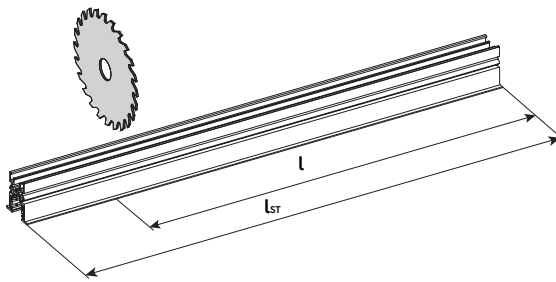
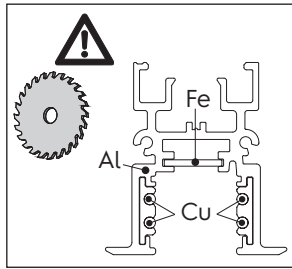


1

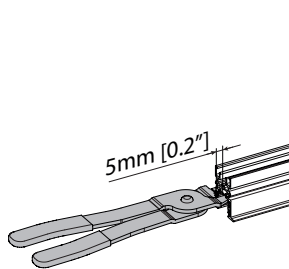


2

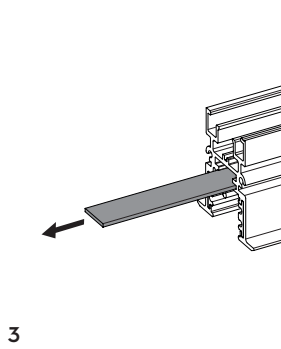
5 - CUTTING



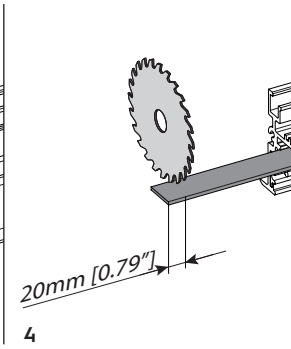
1



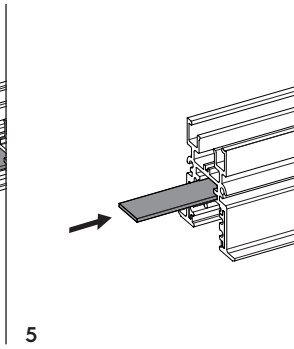
2



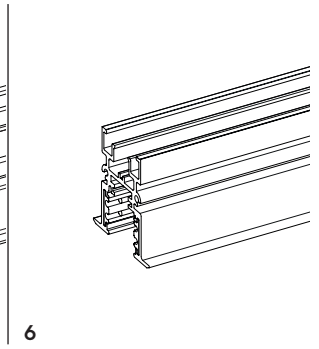
3



4

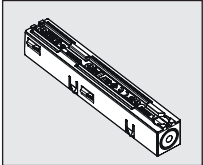


5

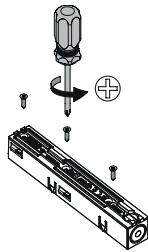


6

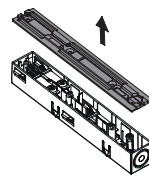
6 - 9501-S/...-E



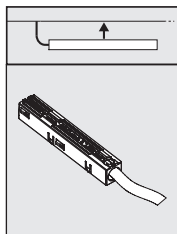
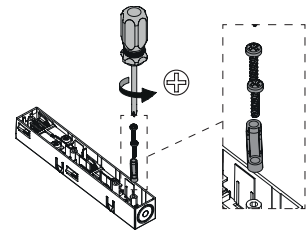
1



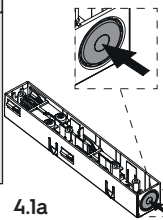
2



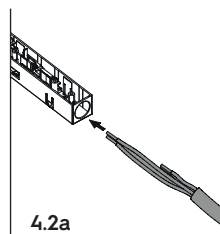
3



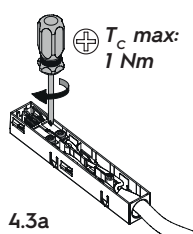
4.1a



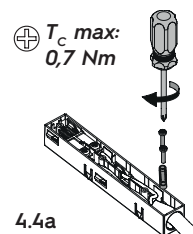
4.2a



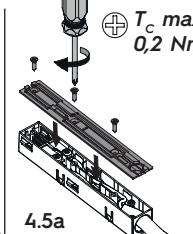
4.3a



4.4a



4.5a



4.6a

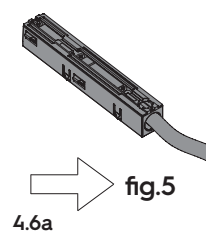
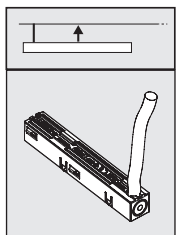
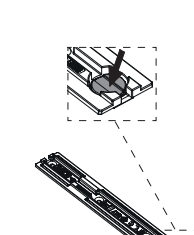


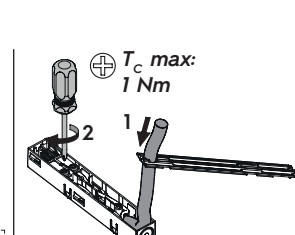
fig.5



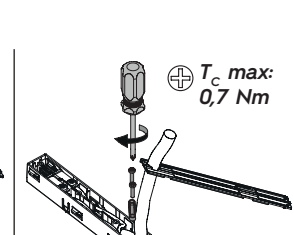
4



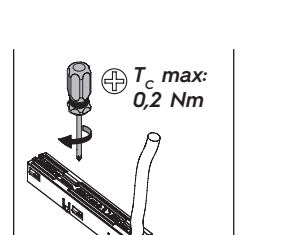
4.1b



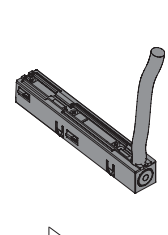
4.2b



4.3b

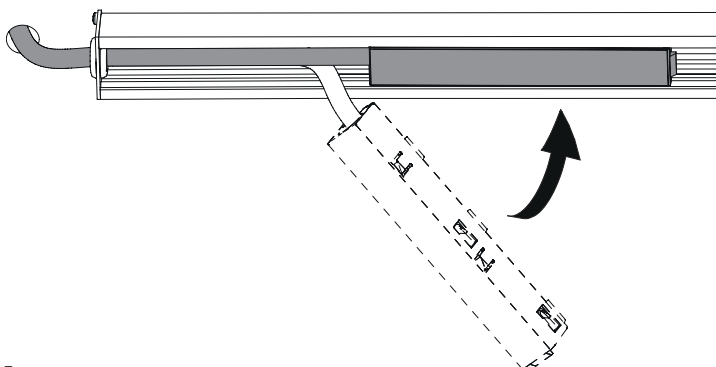


4.4b

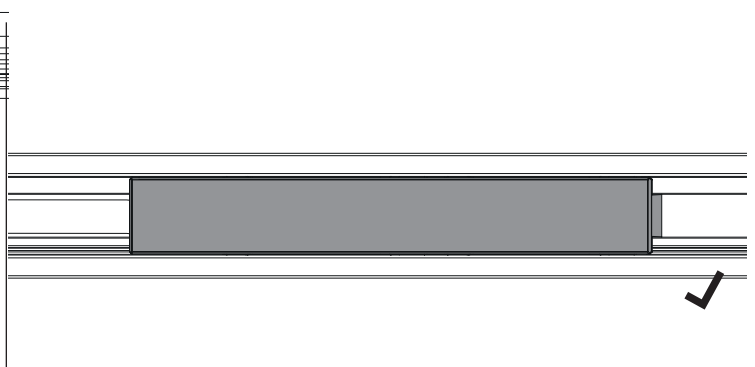


4.5b

fig.5



5

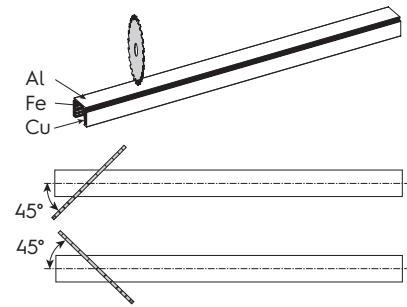
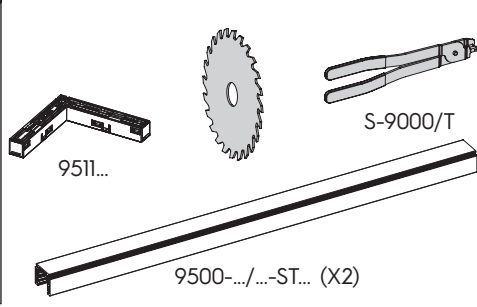


6

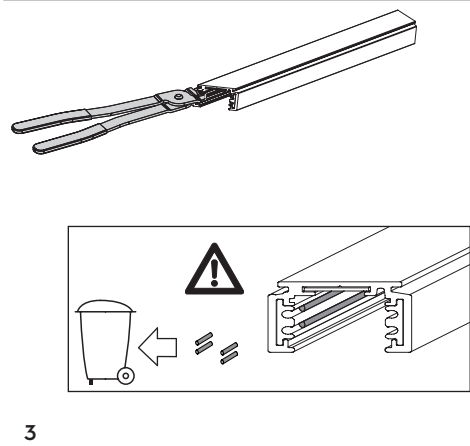
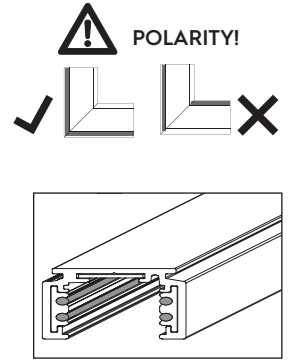
7 - 90° ANGLE



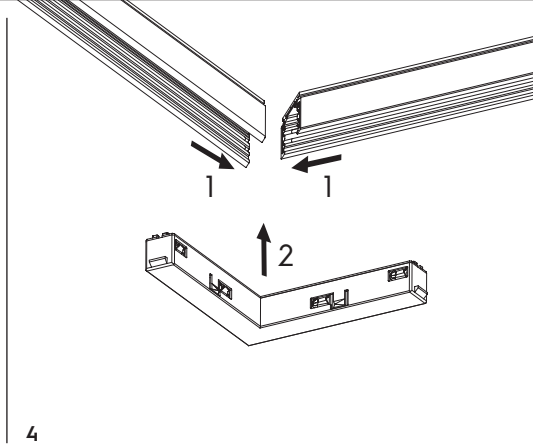
1



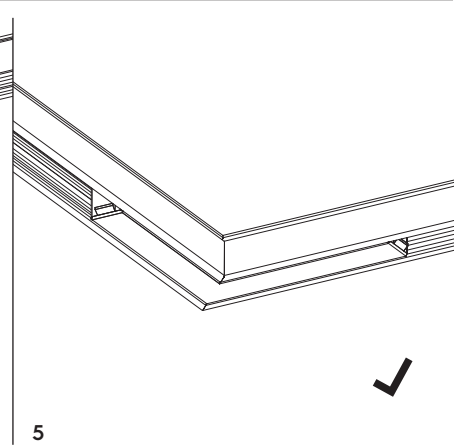
2



3

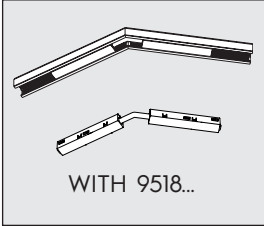


4

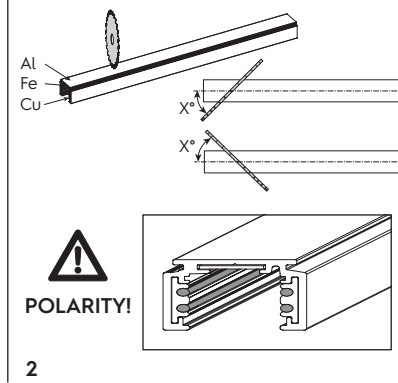
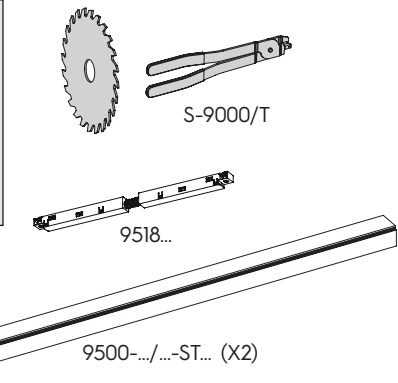


5

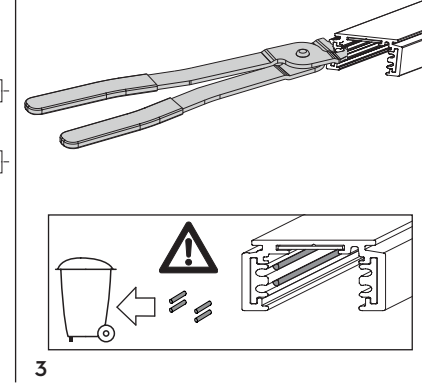
8 - 90° ANGLE



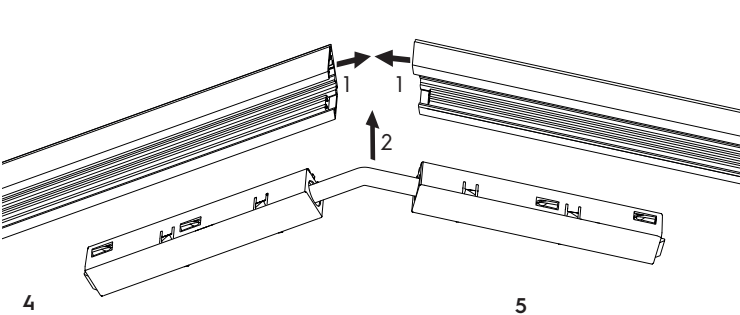
1



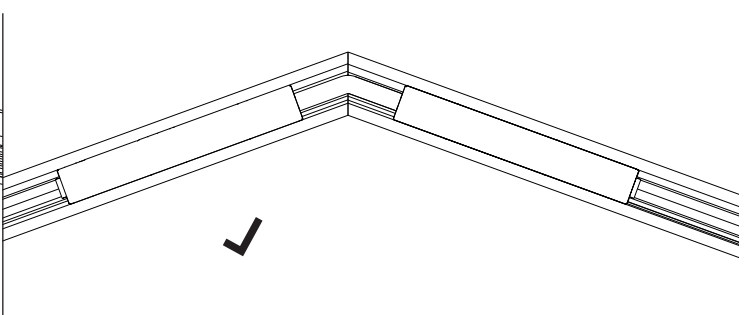
2



3



4

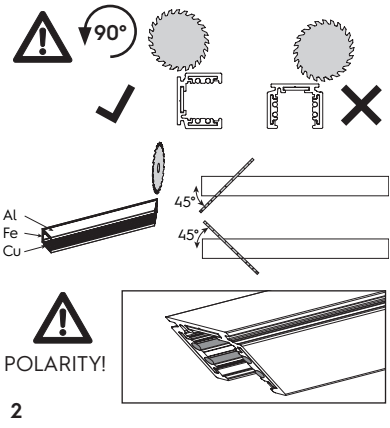
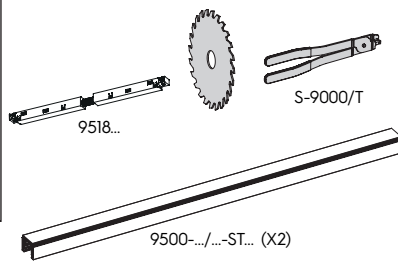


5

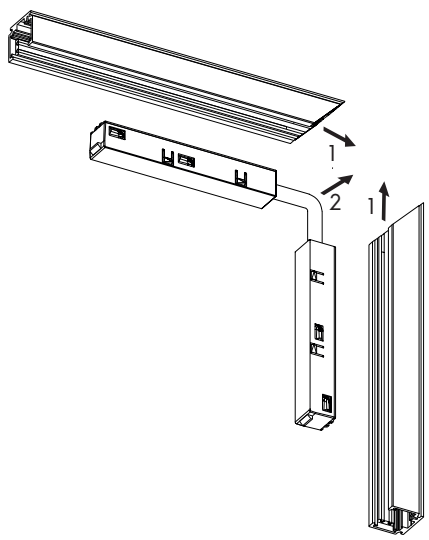
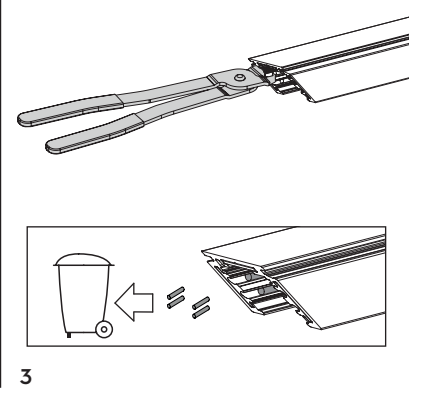
9 - WALL CEILING
90° ANGLE



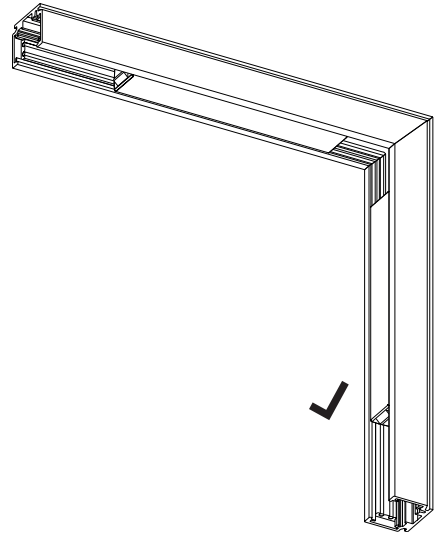
1



2



4



5